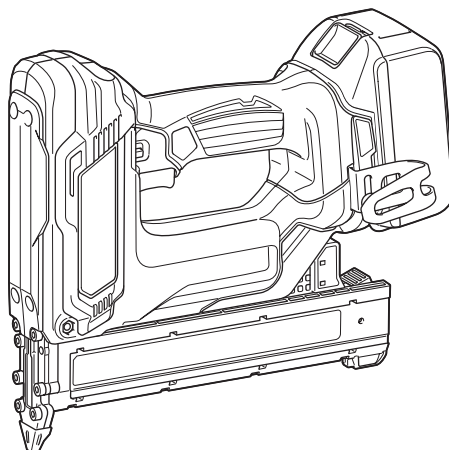




EN	Cordless Brad Nailer	INSTRUCTION MANUAL	5
SV	Sladdlös spikpistol	BRUKSANVISNING	11
NO	Batteridreven spikerpistol	BRUKSANVISNING	17
FI	Akkukäyttöinen viimeistelynaulain	KÄYTTÖOHJE	23
LV	Bezvadu naglotājs	LIETOŠANAS INSTRUKCIJA	29
LT	Akumuliatorinis vinių su mažomis galvutėmis kalimo įrankis	NAUDOJIMO INSTRUKCIJA	35
ET	Juhtmeta naelapüstol	KASUTUSJUHEND	41
RU	Аккумуляторный Штифтозабивной Пистолет	РУКОВОДСТВО ПО ЭКСПЛУАТАЦИИ	47

DFN350



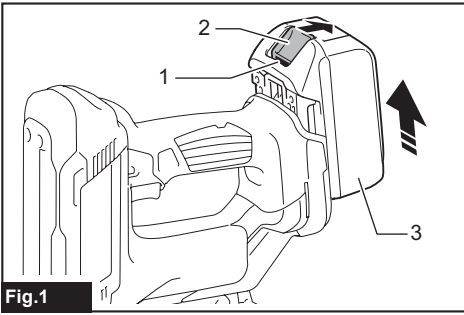


Fig.1

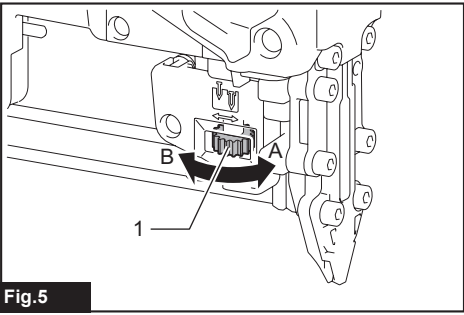


Fig.5

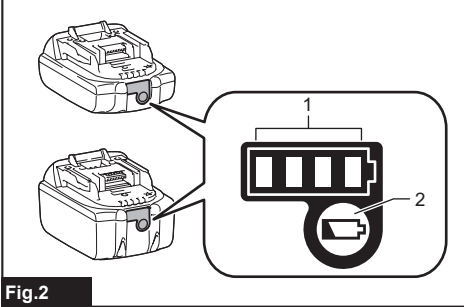


Fig.2

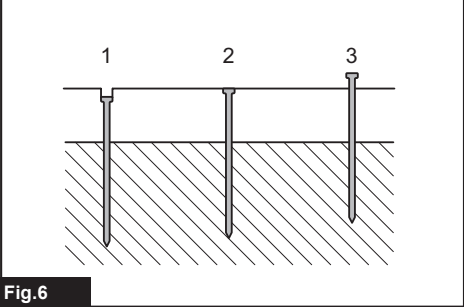


Fig.6

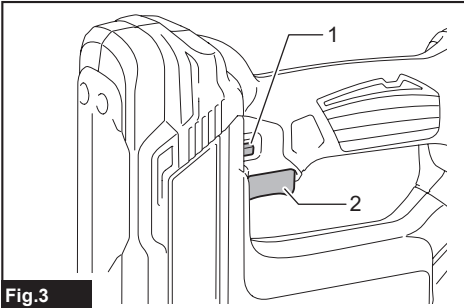


Fig.3

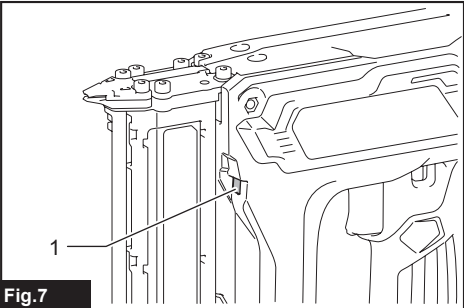


Fig.7

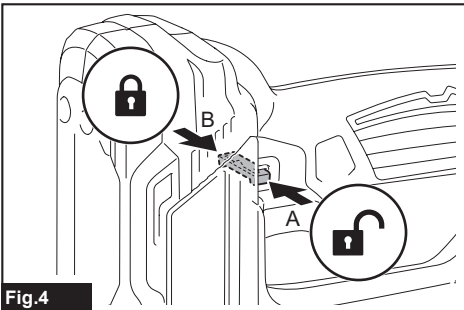


Fig.4

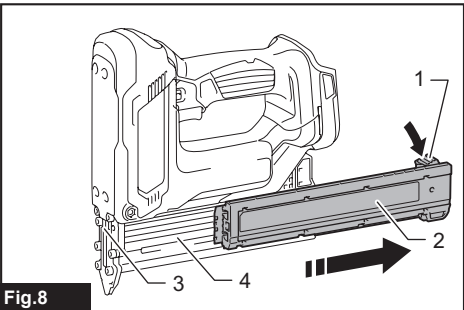


Fig.8

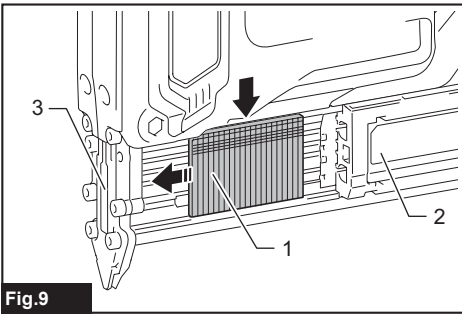


Fig.9

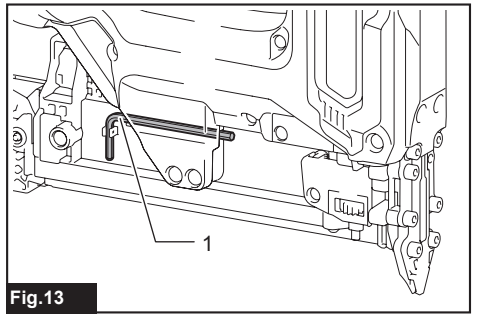


Fig.13

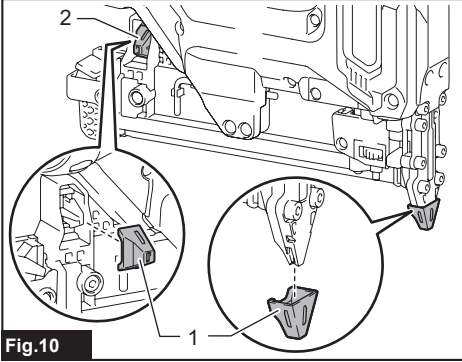


Fig.10

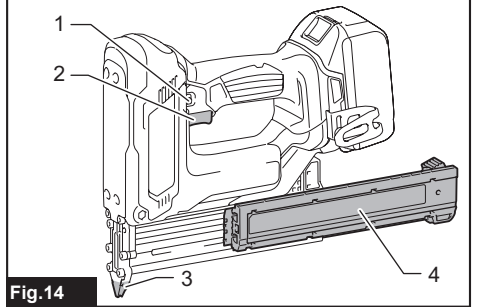


Fig.14

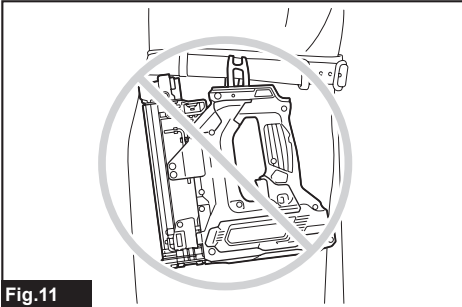


Fig.11

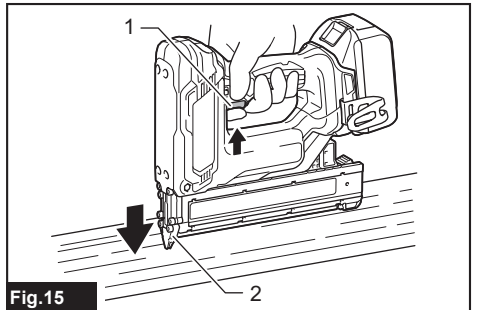


Fig.15

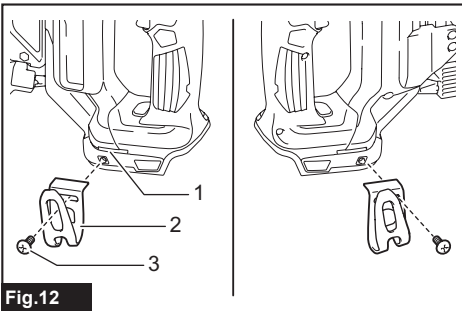


Fig.12

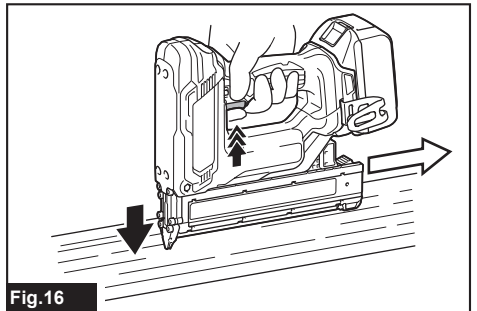


Fig.16

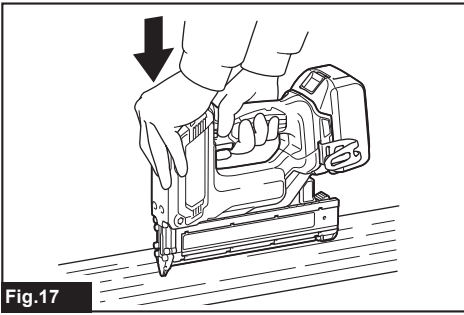


Fig.17

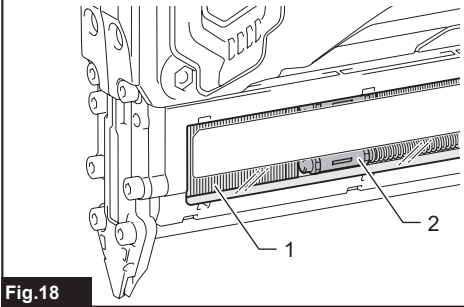


Fig.18

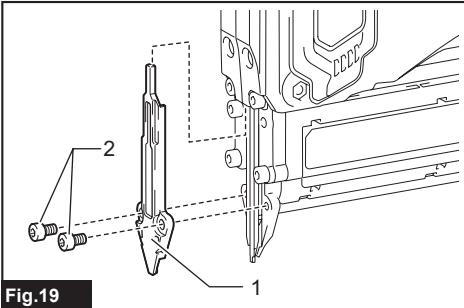


Fig.19

SPECIFICATIONS

Model:	DFN350
Nail size	18Ga x 15, 20, 25, 30, 35 mm
Nail magazine capacity	100 pcs.
Dimensions with BL1860B, without hook (L x W x H)	257 mm x 79 mm x 228 mm
Rated voltage	D.C. 18 V
Net weight	2.4 kg

- Due to our continuing program of research and development, the specifications herein are subject to change without notice.
- Specifications and battery cartridge may differ from country to country.
- The weight may differ depending on the attachment(s), including the battery cartridge. The lightest and heaviest combinations, according to EPTA-Procedure 01/2014, are shown in the table.

Applicable battery cartridge

BL1815 / BL1815N / BL1820 / BL1820B / BL1830 / BL1830B / BL1840 / BL1840B / BL1850 / BL1850B / BL1860B

- Some of the battery cartridges listed above may not be available depending on your region of residence.

⚠ WARNING: Only use the battery cartridges listed above. Use of any other battery cartridges may cause injury and/or fire.

Intended use

The tool is intended for fastening soft wood.

Noise

The typical A-weighted noise level determined according to EN60745-2-16:

Sound pressure level (L_{pA}) : 81 dB(A)

Sound power level (L_{WA}) : 92 dB (A)

Uncertainty (K) : 3 dB(A)

NOTE: The declared noise emission value(s) has been measured in accordance with a standard test method and may be used for comparing one tool with another.

NOTE: The declared noise emission value(s) may also be used in a preliminary assessment of exposure.

⚠ WARNING: Wear ear protection.

⚠ WARNING: The noise emission during actual use of the power tool can differ from the declared value(s) depending on the ways in which the tool is used especially what kind of workpiece is processed.

⚠ WARNING: Be sure to identify safety measures to protect the operator that are based on an estimation of exposure in the actual conditions of use (taking account of all parts of the operating cycle such as the times when the tool is switched off and when it is running idle in addition to the trigger time).

Vibration

The vibration total value determined according to EN60745-2-16:

Vibration emission (a_h) : 2.5 m/s² or less

Uncertainty (K) : 1.5 m/s²

NOTE: The declared vibration total value(s) has been measured in accordance with a standard test method and may be used for comparing one tool with another.

NOTE: The declared vibration total value(s) may also be used in a preliminary assessment of exposure.

⚠ WARNING: The vibration emission during actual use of the power tool can differ from the declared value(s) depending on the ways in which the tool is used especially what kind of workpiece is processed.

⚠ WARNING: Be sure to identify safety measures to protect the operator that are based on an estimation of exposure in the actual conditions of use (taking account of all parts of the operating cycle such as the times when the tool is switched off and when it is running idle in addition to the trigger time).

EC Declaration of Conformity

For European countries only

The EC declaration of conformity is included as Annex A to this instruction manual.

SAFETY WARNINGS

General power tool safety warnings

⚠ WARNING: Read all safety warnings, instructions, illustrations and specifications provided with this power tool. Failure to follow all instructions listed below may result in electric shock, fire and/or serious injury.

Save all warnings and instructions for future reference.

The term "power tool" in the warnings refers to your mains-operated (corded) power tool or battery-operated (cordless) power tool.

Cordless nailer safety warnings

1. **Always assume that the tool contains fasteners.** Careless handling of the nailer can result in unexpected firing of fasteners and personal injury.
2. **Do not point the tool towards yourself or anyone nearby.** Unexpected triggering will discharge the fastener causing an injury.
3. **Do not actuate the tool unless the tool is placed firmly against the workpiece.** If the tool is not in contact with the workpiece, the fastener may be deflected away from your target.
4. **Disconnect the tool from the power source when the fastener jams in the tool.** While removing a jammed fastener, the nailer may be accidentally activated if it is plugged in.
5. **Use caution while removing a jammed fastener.** The mechanism may be under compression and the fastener may be forcefully discharged while attempting to free a jammed condition.
6. **Do not use this nailer for fastening electrical cables.** It is not designed for electric cable installation and may damage the insulation of electric cables thereby causing electric shock or fire hazards.
7. **Keep hands and feet away from the ejection port area.**
8. **Follow instruction for lubricating and changing accessories.**
9. **Always remove the battery cartridge before loading the fasteners, adjustment, inspection, maintenance or after operation is over.**
10. **Make sure no one is nearby before operation.** Never attempt to drive fasteners from both the inside and outside of wall at the same time. Fasteners may rip through and/or fly off, presenting a grave danger.
11. **Watch your footing and maintain your balance with the tool.** Make sure there is no one below when working in high locations.
12. **Never use fastener driving tools marked with the symbol "Do not use on scaffoldings, ladders" for specific application for example:**
 - when changing one driving location to another involves the use of scaffoldings, stairs, ladders, or ladder alike constructions, e.g. roof laths;

- closing boxes or crates;
 - fitting transportation safety systems e.g. on vehicles and wagons.
13. **Check walls, ceilings, floors, roofing and the like carefully to avoid possible electrical shock, gas leakage, explosions, etc. caused by stapling into live wires, conduits or gas pipes.**
 14. **Use only fasteners specified in this manual.** The use of any other fasteners may cause malfunction of the tool.
 15. **Do not tamper with the tool or attempt to use it for other than driving fasteners.**
 16. **Do not operate the tool without fasteners.** It shortens the service life of the tool.
 17. **Stop driving operations immediately if you notice something wrong or out of the ordinary with the tool.**
 18. **Never fasten into any materials which may allow the fastener to puncture and fly through as a projectile.**
 19. **Never actuate the switch trigger and contact element at the same time until you are prepared to fasten workpieces.** Allow the workpiece to depress the contact element. Never defeat its purpose by securing the contact element back or by depressing it by hand.
 20. **Never tamper with the contact element.** Check the contact element frequently for proper operations.
 21. **Always remove fasteners from the tool when not in use.**

SAVE THESE INSTRUCTIONS.

⚠ WARNING: DO NOT let comfort or familiarity with product (gained from repeated use) replace strict adherence to safety rules for the subject product. MISUSE or failure to follow the safety rules stated in this instruction manual may cause serious personal injury.

Important safety instructions for battery cartridge

1. **Before using battery cartridge, read all instructions and cautionary markings on (1) battery charger, (2) battery, and (3) product using battery.**
2. **Do not disassemble battery cartridge.**
3. **If operating time has become excessively shorter, stop operating immediately.** It may result in a risk of overheating, possible burns and even an explosion.
4. **If electrolyte gets into your eyes, rinse them out with clear water and seek medical attention right away.** It may result in loss of your eyesight.
5. **Do not short the battery cartridge:**
 - (1) **Do not touch the terminals with any conductive material.**
 - (2) **Avoid storing battery cartridge in a container with other metal objects such as nails, coins, etc.**
 - (3) **Do not expose battery cartridge to water or rain.**

A battery short can cause a large current flow, overheating, possible burns and even a breakdown.

6. Do not store the tool and battery cartridge in locations where the temperature may reach or exceed 50 °C (122 °F).
7. Do not incinerate the battery cartridge even if it is severely damaged or is completely worn out. The battery cartridge can explode in a fire.
8. Be careful not to drop or strike battery.
9. Do not use a damaged battery.
10. The contained lithium-ion batteries are subject to the Dangerous Goods Legislation requirements.
For commercial transports e.g. by third parties, forwarding agents, special requirement on packaging and labeling must be observed.
For preparation of the item being shipped, consulting an expert for hazardous material is required. Please also observe possibly more detailed national regulations.
Tape or mask off open contacts and pack up the battery in such a manner that it cannot move around in the packaging.
11. Follow your local regulations relating to disposal of battery.
12. Use the batteries only with the products specified by Makita. Installing the batteries to non-compliant products may result in a fire, excessive heat, explosion, or leak of electrolyte.

SAVE THESE INSTRUCTIONS.

⚠ CAUTION: Only use genuine Makita batteries. Use of non-genuine Makita batteries, or batteries that have been altered, may result in the battery bursting causing fires, personal injury and damage. It will also void the Makita warranty for the Makita tool and charger.

Tips for maintaining maximum battery life

1. Charge the battery cartridge before completely discharged. Always stop tool operation and charge the battery cartridge when you notice less tool power.
2. Never recharge a fully charged battery cartridge. Overcharging shortens the battery service life.
3. Charge the battery cartridge with room temperature at 10 °C - 40 °C (50 °F - 104 °F). Let a hot battery cartridge cool down before charging it.
4. Charge the battery cartridge if you do not use it for a long period (more than six months).

FUNCTIONAL DESCRIPTION

⚠ CAUTION: Always be sure that the tool is switched off and the battery cartridge is removed before adjusting or checking function on the tool.

Installing or removing battery cartridge

⚠ CAUTION: Always switch off the tool before installing or removing of the battery cartridge.

⚠ CAUTION: Hold the tool and the battery cartridge firmly when installing or removing battery cartridge. Failure to hold the tool and the battery cartridge firmly may cause them to slip off your hands and result in damage to the tool and battery cartridge and a personal injury.

► Fig.1: 1. Red indicator 2. Button 3. Battery cartridge

To remove the battery cartridge, slide it from the tool while sliding the button on the front of the cartridge.

To install the battery cartridge, align the tongue on the battery cartridge with the groove in the housing and slip it into place. Insert it all the way until it locks in place with a little click. If you can see the red indicator on the upper side of the button, it is not locked completely.

⚠ CAUTION: Always install the battery cartridge fully until the red indicator cannot be seen. If not, it may accidentally fall out of the tool, causing injury to you or someone around you.

⚠ CAUTION: Do not install the battery cartridge forcibly. If the cartridge does not slide in easily, it is not being inserted correctly.

Tool / battery protection system

The tool is equipped with a tool/battery protection system. This system automatically cuts off power to the motor to extend tool and battery life. The tool will automatically stop during operation if the tool or battery is placed under one of the following conditions:

Overload protection

When the tool/battery is operated in a manner that causes it to draw an abnormally high current, the tool automatically stops without any indication. In this situation, turn the tool off and stop the application that caused the tool to become overloaded. Then turn the tool on to restart.

Overheat protection

When the tool/battery is overheated, the tool stops automatically. In this situation, let the tool/battery cool before turning the tool on again.

Overdischarge protection

When the battery capacity is not enough, the tool stops automatically. In this case, remove the battery from the tool and charge the battery.

Indicating the remaining battery capacity

Only for battery cartridges with the indicator

► **Fig.2:** 1. Indicator lamps 2. Check button

Press the check button on the battery cartridge to indicate the remaining battery capacity. The indicator lamps light up for a few seconds.

Indicator lamps			Remaining capacity
Lighted	Off	Blinking	
■	□	▧	75% to 100%
■ ■ ■ ■			
■	□	▧	50% to 75%
■ ■ ■ □			
■	□	▧	25% to 50%
■ ■ □ □			
■	□	▧	0% to 25%
■ □ □ □			
▧	□	□	Charge the battery.
▧	□	□	The battery may have malfunctioned.
■ ■ □ □	↑ ↓	□ □ ■ ■	

NOTE: Depending on the conditions of use and the ambient temperature, the indication may differ slightly from the actual capacity.

Trigger-lock button

CAUTION: Before installing the battery cartridge into the tool, always check to see that the switch trigger actuates properly and returns to the "OFF" position when released.

CAUTION: When not operating the tool, depress the trigger-lock button from B side to lock the switch trigger in the OFF position.

► **Fig.3:** 1. Trigger-lock button 2. Switch trigger

► **Fig.4**

To prevent the switch trigger from accidentally pulled, the trigger-lock button is provided.

To pull the switch trigger, depress the trigger-lock button from A side. After use, always press in the trigger-lock button from B side.

Adjusting the depth of nailing

WARNING: Always make sure that your fingers are not placed on the switch trigger or the contact element and the battery cartridge is removed before adjusting the depth of nailing.

Depth of nailing can be adjusted on this nailer. To adjust the depth of nailing, turn the adjuster. The depth of nailing is the deepest when the adjuster is turned fully in the A direction shown in the figure. It will become shallower as the adjuster is turned in the B direction. Depth can be adjusted 2.5 mm to the maximum.

► **Fig.5:** 1. Adjuster

► **Fig.6:** 1. Too deep 2. Flush 3. Too shallow

Lighting up the lamp

CAUTION: Do not look in the light or see the source of light directly.

Pull the switch trigger or actuate the contact element to light up the lamp. The lamp keeps on lighting while pulling the switch trigger or actuating the contact element. The lamp goes out approximately 10 seconds after releasing the switch trigger and the contact element.

► **Fig.7:** 1. Lamp

NOTE: Use a dry cloth to wipe the dirt off the lens of the lamp. Be careful not to scratch the lens of lamp, or it may lower the illumination.

NOTE: Even in the lamp lights up when the battery power residual gets small, nailer may not fire nails. In this case, charge the battery cartridge.

NOTE: The lamp starts blinking if the nailer detects an error during driving the nail. In this case, bring the nailer to a Factory Service Center.

ASSEMBLY

CAUTION: Always make sure that your fingers are not placed on the switch trigger or the contact element and the battery cartridge is removed before carrying out any work on the nailer.

Loading or unloading the nails

CAUTION: Always make sure that your fingers are not placed on the trigger and the battery cartridge is removed before loading nails.

CAUTION: Do not abruptly slide the slide door of the nailer loaded with nails. Accidentally dropping nails especially when working in high places may cause personal injuries.

CAUTION: Load nails in the correct direction. Loading in wrong direction may cause premature wear and tear of the driver and damage of the other parts.

CAUTION: Do not use deformed nail strips. Use nails specified in this manual. Using nails other than those specified may cause nail jamming and breakage of the nailer.

1. Press the lock lever and open the slide door of the magazine.

► **Fig.8:** 1. Lock lever 2. Slide door 3. Driver guide 4. Magazine

2. Set a nail strip so that the nail tips touch the bottom of the magazine and slide the nail strip toward the firing opening.

► **Fig.9:** 1. Nails 2. Slide door 3. Driver guide

3. Return the slide door to the original position until the lock lever locks it.

To remove the nails, press the lock lever and slide the slide door. Take out nails from the magazine.

Nose adapter

CAUTION: Always make sure that your fingers are not placed on the switch trigger or the contact element and the battery cartridge is removed before installing the nose adapter.

When firing nails on the material with easily-marred surfaces, use the nose adapter. To attach the nose adapter, put it onto the driver guide cover to the end. You can store the nose adapter on the holder on the back end of the magazine to keep it from being lost.

► **Fig.10:** 1. Nose adapter 2. Holder

Hook

CAUTION: Do not hang the hook from the waist belt. Dropping the nailer, which is caused by the hook accidentally coming out of place, may cause unintentional firing and result in personal injuries.

► **Fig.11**

The hook is convenient for temporarily hanging the tool. This can be installed on either side of the tool.

To install the hook, insert it into a groove in the tool housing on either side and then secure it with a screw. To remove, loosen the screw and then take it out.

► **Fig.12:** 1. Groove 2. Hook 3. Screw

Hex wrench storage

When not in use, store the hex wrench as shown in the figure to keep it from being lost.

► **Fig.13:** 1. Hex wrench

OPERATION

Testing the safety system

WARNING: Make sure all safety systems are in working order before operation. Failure to do so may cause personal injuries.

► **Fig.14:** 1. Trigger-lock button 2. Switch trigger 3. Contact element 4. Magazine

Test safety systems for possible fault before operation as follows.

1. Unload nails from the tool and keep the magazine opened.
2. Install the battery cartridge and release the trigger lock.
3. Only pull the switch trigger without touching the contact element against the material.
4. Only touch the contact element against the material without pulling the switch trigger.

If the tool operates in the case of 3 and 4 above, the safety systems are faulty. Stop using the tool immediately and ask your local service center.

Driving nails

WARNING: Continue to place the contact element firmly on the material until the nail is driven completely. Unintentional firing may cause personal injuries.

1. Release the trigger lock.
 2. Place flat the contact element on the material.
 3. Pull the switch trigger fully to drive a nail.
 4. To drive the next nail, release your finger from the switch trigger once, and then repeat the step 2 and 3 above.
- **Fig.15:** 1. Switch trigger 2. Contact element

You can also drive the nails when dragging the tool to the next area with the contact element pressed against the material and pulling the switch trigger.

► **Fig.16**

If the head of the nail remains above the workpiece surface, drive the nail while holding the nailer head firmly against the workpiece.

► **Fig.17**

NOTE: If the head of the nail still remains above the workpiece even you hold the nail head, the material may not be suitable for the nailer. Continuing to use the nailer on such material may result in a damage to the driver of the nailer and/or nailer jamming.

Anti dry fire mechanism

WARNING: Always make sure that your fingers are not placed on the switch trigger or the contact element and the battery cartridge is removed before loading the nailer.

When the number of remaining nail strips in the magazine is empty, the switch trigger can no longer be pulled. At this time, insert a new nail strip in the magazine. The switch trigger can be pulled again.

Checking remaining nails

You can check the amount of remaining nails through the sight window.

The red indicator moves toward firing opening as the amount of remaining nails becomes smaller.

► **Fig.18:** 1. Sight window 2. Indicator

Removing jammed nails

WARNING: Always make sure that the trigger is released, and the battery cartridge and nails are removed before removing jammed nails.

CAUTION: Do not remove the jammed nails with bare hands. The nail may jump out of the magazine and cause an injury.

Remove hex bolts on the driver guide cover using the hex wrench. Take the jammed nails from the nail guide groove with a slotted screwdriver.

Secure the driver guide cover with hex bolts.

► **Fig.19:** 1. Driver guide cover 2. Hex bolt

NOTE: After securing the driver guide cover, always make sure that the driver guide cover actuates properly. If it does not actuate properly, remove hex bolts and install the driver guide cover again.

MAINTENANCE

⚠CAUTION: Always be sure that the tool is switched off and the battery cartridge is removed before attempting to perform inspection or maintenance.

NOTICE: Never use gasoline, benzine, thinner, alcohol or the like. Discoloration, deformation or cracks may result.

To maintain product SAFETY and RELIABILITY, repairs, any other maintenance or adjustment should be performed by Makita Authorized or Factory Service Centers, always using Makita replacement parts.

OPTIONAL ACCESSORIES

⚠CAUTION: These accessories or attachments are recommended for use with your Makita tool specified in this manual. The use of any other accessories or attachments might present a risk of injury to persons. Only use accessory or attachment for its stated purpose.

If you need any assistance for more details regarding these accessories, ask your local Makita Service Center.

- Nails
- Makita genuine battery and charger
- Safety goggles

NOTE: Some items in the list may be included in the tool package as standard accessories. They may differ from country to country.

SPECIFIKATIONER

Modell:	DFN350
Spikstorlek	18Ga x 15, 20, 25, 30, 35 mm
Kapacitet spikmagasin	100 st.
Dimensioner med BL1860B, utan krok (L x B x H)	257 mm x 79 mm x 228 mm
Märkspänning	18 V likström
Nettovikt	2,4 kg

- På grund av vårt pågående program för forskning och utveckling kan dessa specifikationer ändras utan föregående meddelande.
- Specifikationer och batterikassett kan variera mellan olika länder.
- Vikten kan variera beroende på tillbehören, inklusive batterikassett. Den lättaste och den tyngsta kombinationen enligt EPTA-procedur 01/2014 visas i tabellen.

Tillgänglig batterikassett

BL1815 / BL1815N / BL1820 / BL1820B / BL1830 / BL1830B / BL1840 / BL1840B / BL1850 / BL1850B / BL1860B

- Vissa av batterikassetterna på listan ovan kanske inte finns tillgängliga i din region.

⚠ VARNING: Använd endast batterikassetter från listan ovan. Användning av andra batterikassetter kan orsaka personskada och/eller brand.

Avsedd användning

Verktyget är avsett för spikning i mjukt trä.

Buller

Den normala bullernivån för A-belastning är bestämd enligt EN60745-2-16:

Ljudtrycksnivå (L_{pA}) : 81 dB (A)

Ljudeffektnivå (L_{WA}) : 92 dB (A)

Måttolerans (K): 3 dB (A)

OBS: Det deklarerade bullervärdet har uppmätts i enlighet med standardtestmetoden och kan användas för jämförandet av en maskin med en annan.

OBS: Det deklarerade bulleremissionsvärdet kan också användas i en preliminär bedömning av exponering för vibration.

⚠ VARNING: Använd hörselskydd.

⚠ VARNING: Bulleremissionen under faktisk användning av maskinen kan skilja sig från det deklarerade värdet, beroende på hur maskinen används och särskilt vilken typ av arbetsstycke som behandlas.

⚠ VARNING: Var noga med att identifiera säkerhetsåtgärder för att skydda användaren, vilka är grundade på en uppskattning av graden av exponering för vibrationer under de faktiska användningsförhållandena, (ta, förutom avtryckartiden, med alla delar av användarcykeln i beräkningen, som till exempel tiden då maskinen är avstängd och när den går på tomgång).

Vibration

Det totala vibrationsvärdet är bestämt enligt EN60745-2-16:

Vibrationsemission (a_{rh}) : 2,5 m/s² eller lägre

Måttolerans (K): 1,5 m/s²

OBS: Det deklarerade totala vibrationsvärdet har uppmätts i enlighet med standardtestmetoden och kan användas för jämförandet av en maskin med en annan.

OBS: Det deklarerade totala vibrationsvärdet kan också användas i en preliminär bedömning av exponering för vibration.

⚠ VARNING: Vibrationsemissionen under faktisk användning av maskinen kan skilja sig från det deklarerade värdet, beroende på hur maskinen används och särskilt vilken typ av arbetsstycke som behandlas.

⚠ VARNING: Var noga med att identifiera säkerhetsåtgärder för att skydda användaren, vilka är grundade på en uppskattning av graden av exponering för vibrationer under de faktiska användningsförhållandena, (ta, förutom avtryckartiden, med alla delar av användarcykeln i beräkningen, som till exempel tiden då maskinen är avstängd och när den går på tomgång).

EG-försäkring om överensstämmelse

Gäller endast inom EU

EG-försäkring om överensstämmelse inkluderas som bilaga A till denna bruksanvisning.

SÄKERHETSVARNINGAR

Allmänna säkerhetsvarningar för maskiner

⚠️ VARNING: Läs alla säkerhetsvarningar, anvisningar, illustrationer och specifikationer som medföljer det här maskinen. Underlåtenhet att följa instruktionerna kan leda till elstötar, brand och/eller allvarliga personskador.

Spara alla varningar och instruktioner för framtida referens.

Termen "maskin" som anges i varningarna hänvisar till din eldrivna maskin (sladdansluten) eller batteridrivna maskin (sladdlös).

Säkerhetsvarningar för batteridrivna stiftpistol

1. **Förutsätt alltid att verktyget är laddat.** Oaktas hantering av stiftpistolen kan orsaka oavsiktlig avfyrning av stift, vilket kan leda till personskada.
2. **Rikta inte verktyget mot dig själv eller mot någon i din närhet.** Oavsiktlig avfyrning skjuter ut en klammer, vilket kan orsaka skada.
3. **Aktivera inte verktyget utan att det hålls stadigt mot arbetsstycket.** Om verktyget inte är i kontakt med arbetsstycket kan klammern flyga i riktning från målet.
4. **Koppla från verktygets strömkälla när en klammer fastnar i verktyget.** När ett stift tas bort kan stiftpistolen oavsiktligt aktiveras om maskinen är ansluten till strömkällan.
5. **laktta försiktighet när du tar bort en klammer som har fastnat.** Mekanismen kan vara under tryck och klammern kan genom forcering avfyras medan du försöker att ta bort den som fastnat.
6. **Använd inte den här stiftpistolen för att fästa elkablar.** Den är inte konstruerad för festsättning av elkablar och kan skada isoleringen på elkablarna, vilket i sin tur kan leda till elektrisk stöt eller brand.
7. **Se till att dina händer och fötter inte är i riskzonen.**
8. **Följ instruktionerna för smörjning och byte av tillbehör.**
9. **Ta alltid ut batterikassetten före påfyllning av klammer, justering, inspektion, underhåll eller efter att arbetet har slutförts.**
10. **Se till att ingen är i närheten innan du påbörjar arbetet.** Försök aldrig att häfta från insidan och utsidan av en vägg på samma gång. Klamrar kan skjutas igenom och/eller flyga iväg och orsaka allvarlig fara.
11. **Se till att alltid ha ordentligt fötäfte och god balans när du använder verktyget.** Se till att ingen står under dig när du arbetar på hög höjd.
12. **Använd aldrig skruvautomater märkta med symbolen "Använd inte på stegar, ställningar" för arbetsuppgifter av följande typ:**

- om du under arbetets gång måste använda byggnadsställning, trappa, stege eller liknande, t. ex. takläkt;
- igenskruvning av lådor;
- montering av transportsäkringar, till exempel på fordon och vagnar.

13. **Kontrollera väggar, golv, inner- och yttertak o. dyl. noggrant för att inte råka häfta i el- eller gasledningar och orsaka elstötar, gasläckage, explosioner osv.**
14. **Använd endast klamrar som specificeras i denna bruksanvisning.** Andra typer av klamrar kan medföra att verktyget inte fungerar på avsett sätt.
15. **Mixtra inte med verktyget och försök inte att använda det för annat än att häfta fast klamrar.**
16. **Använd inte verktyget utan klamrar.** Det förkortar verktygets livslängd.
17. **Avbryt arbetet omedelbart om du misstänker att något är fel eller onormalt med verktyget.**
18. **Häfta aldrig i material där klammern kan punktera materialet och flyga igenom som en projektil.**
19. **Aktivera aldrig avtryckaren och kontaktele- mentet samtidigt om du inte är beredd att mata in stift i arbetsstycket.** Låt arbetsstycket trycka ner kontaktele- mentet. Sätt aldrig kontaktele- mentet ur funktion genom att fästa det bakåt eller trycka in det för hand.
20. **Mixtra aldrig med kontaktele- mentet.** Kontrollera regelbundet att kontaktele- mentet fungerar som det ska.
21. **Ta alltid bort stift från maskinen när den inte används.**

SPARA DESSA ANVISNINGAR.

⚠️ VARNING: GLÖM INTE att också fortsättningsvis strikt följa säkerhetsanvisningarna för maskinen även efter att du blivit van att använda den. Vid FELAKTIG HANTERING av maskinen eller om inte säkerhetsanvisningarna i denna bruksanvisning följs kan följden bli allvarliga personskador.

Viktiga säkerhetsanvisningar för batterikassetten

1. Innan batterikassetten används ska alla instruktioner och varningsmärken på (1) batteriladdaren, (2) batteriet och (3) produkten läsas.
2. Montera inte isär batterikassetten.
3. Om drifttiden blivit avsevärt kortare ska användningen avbrytas omedelbart. Det kan uppstå överhettning, brännskador och t o m en explosion.
4. Om du får elektrolyt i ögonen ska de sköljas med rent vatten och läkare uppsöks omedelbart. Det finns risk för att synen förloras.
5. Kortslut inte batterikassetten.
 - (1) Rör inte vid polerna med något strömförande material.

- (2) Undvik att förvara batterikassetten tillsammans med andra metallobjekt som t.ex. spikar, mynt o.s.v.
- (3) Skydda batteriet mot vatten och regn. En batterikortslutning kan orsaka ett stort strömflöde, överhettning, brand och maskinhaveri.
6. Förvara inte maskinen och batterikassetten på platser där temperaturen kan nå eller överstiga 50 °C.
7. Bränn inte upp batterikassetten även om den är svårt skadad eller helt utsliten. Batterikassetten kan explodera i öppen eld.
8. Var försiktig så att du inte råkar tappa batteriet och utsätt det inte för stötar.
9. Använd inte ett skadat batteri.
10. De medföljande litiumjonbatterierna är föremål för kraven i gällande lagstiftning för farligt gods.
För kommersiella transporter (av t.ex. tredje parter som speditorsfirmor) måste de särskilda transportkrav som anges på emballaget och etiketter iakttas.
För att förbereda den produkt som ska avsändas krävs att du konsulterar en expert på riskmaterial. Var också uppmärksam på att det i ditt land kan finnas ytterligare föreskrifter att följa.
Tejpa över eller maskera blottade kontakter och packa batteriet på sådant sätt att det inte kan röra sig fritt i förpackningen.
11. Följ lokala föreskrifter beträffande avfallshandtering av batteriet.
12. Använd endast batterierna med de produkter som specificerats av Makita. Att använda batterierna med ej godkända produkter kan leda till brand, överdriven värme, explosion eller utläckande elektrolyt.

SPARA DESSA ANVISNINGAR.

⚠ FÖRSIKTIGT: Använda endast äkta Makita-batterier. Användning av oäkta Makita-batterier eller batterier som har manipulerats kan leda till person- och utrustningsskador eller till att batteriet fattar eld. Det upphäver också Makitas garanti för verktyget och laddaren.

Tips för att uppnå batteriets maximala livslängd

1. Ladda batterikassetten innan den är helt urladdad. Stanna alltid maskinen och ladda batterikassetten när du märker att maskinen blir svagare.
2. Ladda aldrig en fulladdad batterikasset. Överladdning förkortar batteriets livslängd.
3. Ladda batterikassetten vid en rumstemperatur på 10 °C - 40 °C. Låt en varm batterikasset svalna innan den laddas.
4. Ladda batterikassetten om du inte har använt den på länge (mer än sex månader).

FUNKTIONS BESKRIVNING

⚠ FÖRSIKTIGT: Se alltid till att maskinen är avstängd och batterikassetten borttagen innan du justerar maskinen eller kontrollerar dess funktioner.

Montera eller demontera batterikassetten

⚠ FÖRSIKTIGT: Stäng alltid av maskinen innan du monterar eller tar bort batterikassetten.

⚠ FÖRSIKTIGT: Håll stadigt i maskinen och batterikassetten när du monterar eller tar bort batterikassetten. I annat fall kan det leda till att de glider ur dina händer och orsakar skada på maskinen och batterikassetten samt personskada.

► Fig. 1: 1. Röd indikator 2. Knapp 3. Batterikasset

Ta bort batterikassetten genom att skjuta ner knappen på kassetens framsida samtidigt som du drar ut batterikassetten.

Sätt i batterikassetten genom att rikta in tungan på batterikassetten mot spåret i höljets och skjut den på plats. Tryck in batterikassetten ordentligt tills den låser fast med ett klick. Om du kan se den röda indikatorn på knappens ovansida är den inte låst ordentligt.

⚠ FÖRSIKTIGT: Sätt alltid i batterikassetten helt tills den röda indikatorn inte längre syns. I annat fall kan den oväntat falla ur maskinen och skada dig eller någon annan.

⚠ FÖRSIKTIGT: Montera inte batterikassetten med våld. Om kassetten inte lätt glider på plats är den felinsatt.

Skyddssystem för maskinen/batteriet

Verktyget är utrustat med ett skyddssystem för verktyget/batteriet. Detta system bryter automatiskt strömmen till motorn för att förlänga verktygets och batteriets livslängd. Verktyget stoppar automatiskt under användningen om verktyget eller batteriet hamnar i en av följande situationer:

Överbelastningsskydd

Om verktyget/batteriet används på ett sätt som gör att det drar onormalt mycket ström kan det stoppas automatiskt utan varning. När detta sker stänger du av verktyget och upphör med arbetet som gjorde att verktyget överbelastades. Starta därefter upp verktyget igen.

Överhettningsskydd

När verktyget/batteriet överhettas stoppas verktyget automatiskt. I sådant fall ska du låta verktyget/batteriet svalna innan du startar verktyget igen.

Överurladdningsskydd

När batteriets kapacitet är otillräcklig stoppar maskinen automatiskt. I sådant fall ska batteriet tas ur maskinen och laddas.

Indikerar kvarvarande batterikapacitet

Endast för batterikassetter med indikator

► Fig.2: 1. Indikatorlampor 2. Kontrollknapp

Tryck på kontrollknappen på batterikassetten för att se kvarvarande batterikapacitet. Indikatorlamporna lyser i ett par sekunder.

Indikatorlampor			Kvarvarande kapacitet
■ Upplyst	□ Av	◐ Blikar	
■ ■ ■ ■			75% till 100%
■ ■ ■ □			50% till 75%
■ ■ □ □			25% till 50%
■ □ □ □			0% till 25%
◐ □ □ □			Ladda batteriet.
■ ■ □ □ ↑ ↓ □ □ ■ ■			Batteriet kan ha skadats.

OBS: Beroende på användningsförhållanden och den omgivande temperaturen kan indikationen skilja sig lätt från den faktiska batterikapaciteten.

Startspärr

⚠ FÖRSIKTIGT: Innan du sätter i batterikassetten i maskinen ska du kontrollera att avtryckaren fungerar och återgår till läget "OFF" när du släpper den.

⚠ FÖRSIKTIGT: När verktyget inte används ska startspärren vara intryckt från sidan B för att låsa avtryckaren i det avstängda läget OFF.

► Fig.3: 1. Startspärr 2. Avtryckare

► Fig.4

Startspärren förhindrar att verktyget startas oavsiktligt. Tryck in startspärren från sidan A för att kunna trycka in avtryckaren.

Tryck alltid in startspärren från sidan B efter användning.

Inställning av spikdjupet

⚠ VARNING: Kontrollera alltid att dina fingrar inte är placerade på avtryckaren eller på kontaktelelementet och att batterikassetten är borttagen innan du justerar stiftdjupet.

Spikdjupet kan ställas in på denna spikpistol. Ställ in stiftdjupet genom att vrida justeringsratten. Du får störst stiftdjup när du vrider justeringsratten så långt det går i riktning A enligt figuren. Det minskar när justeringsratten vrids i riktning B. Djupet kan ställas in från 2,5 mm till maximum.

► Fig.5: 1. Justeringsratt

► Fig.6: 1. För djupt 2. Jäms med 3. För grunt

Tända lampan

⚠ FÖRSIKTIGT: Titta inte in i ljuset eller direkt i ljuskällan.

Tryck in avtryckaren eller aktivera kontaktelelementet för att tända lampan. Lampan fortsätter att lysa så länge du håller avtryckaren intryckt eller så länge kontaktelelementet är aktiverat. Lampan slocknar ungefär 10 sekunder efter att du har släppt avtryckaren och kontaktelelementet.

► Fig.7: 1. Lampa

OBS: Använd en torr trasa för att torka bort smuts från lampglaset. Var försiktig så att inte lampglaset repas eftersom ljuset då kan bli svagare.

OBS: Även om lampan tänds när kvarvarande batteriladdning är låg avfyrar spikpistolen eventuellt inga spikar. Ladda batterikassetten i så fall.

OBS: Om spikpistolen detekterar ett fel vid spikning börjar lampan att blinka. Om så är fallet, ta med spikpistolen till ett servicecenter.

MONTERING

⚠ FÖRSIKTIGT: Kontrollera alltid att dina fingrar inte är placerade på avtryckaren eller på kontaktelelementet och att batterikassetten är borttagen innan du utför något arbete på spikpistolen.

Ladda eller ta bort spikarna

⚠ FÖRSIKTIGT: Se alltid till att inte ha fingrarna på avtryckaren och att batterikassetten är borttagen innan du laddar spikarna.

⚠ FÖRSIKTIGT: Se till att inte plötsligt skjuta spikpistolens skjutlucka när spikar är laddade. Om du oavsiktligt tappar spikar, i synnerhet om du arbetar på höga höjder, kan det orsaka personskador.

⚠ FÖRSIKTIGT: Ladda spikar åt rätt håll. Om de laddas åt fel håll kan det orsaka förtida slitage på kontaktelelementet och skada på andra delar.

⚠ FÖRSIKTIGT: Använd inte deformerade spikband. Använd de spikar som anges i denna bruksanvisning. Om du använder andra spikar än de som anges kan det medföra att spikar fastnar och att spikpistolen går sönder.

1. Tryck på spärren och öppna magasinets skjutlucka.

► Fig.8: 1. Låsspärr 2. Skjutlucka 3. Matarstyrning 4. Magasin

2. Placera ett spikband så att spikarnas topp vidrör magasinets botten och skjut spikbandet mot avfyringsmynningen.

► Fig.9: 1. Spikar 2. Skjutlucka 3. Matarstyrning

3. För tillbaka skjutluckan till dess ursprungliga läge tills spärren låser den.

För att ta bort spikar trycker du på spärren och skjuter på skjutluckan. Ta ut spikar från magasinet.

Nosadapter

⚠ FÖRSIKTIGT: Kontrollera alltid att dina fingrar inte är placerade på avtryckaren eller på kontaktelementet och att batterikassetten är borttagen innan du installerar nosadaptern.

Använd nosadaptern när du avfyrrar spikar på material med en lätt skadad yta. Fäst nosadaptern hela vägen på skyddet för matarstyrning för att fästa den.

Du kan förvara nosadaptern i hållaren på magasinets baksida för att alltid ha den till hands.

► **Fig.10:** 1. Nosadapter 2. Hållare

Krok

⚠ FÖRSIKTIGT: Häng inte kroken i midjebältet.

Om du tappar spikpistolens, på grund av att kroken av misstag lossar från sin plats, kan den oavsiktligt avfyra och orsaka personskada.

► **Fig.11**

Kroken kan användas när du vill hänga upp verktyget temporärt. Den kan monteras på båda sidorna av verktyget.

Du monterar kroken genom att sätta in den i ett spår i verktygshuset på endera sida och dra fast den med en skruv. Ta bort kroken genom att skruva loss skruven.

► **Fig.12:** 1. Spår 2. Krok 3. Skruv

Förvaring av insexnyckel

Förvara insexnyckeln enligt figuren när den inte används, så att du alltid har den till hands.

► **Fig.13:** 1. Insexnyckel

ANVÄNDNING

Testa säkerhetssystemet

⚠ VARNING: Kontrollera alltid att alla säkerhetsanordningar fungerar innan du använder verktyget. I annat fall kan personsador uppstå.

► **Fig.14:** 1. Startspärr 2. Avtryckare
3. Kontaktelement 4. Magasin

Testa säkerhetssystemen efter möjliga fel enligt följande innan du häftar.

1. Töm verktyget på spik och håll magasinet öppet.
2. Montera batterikassetten och släpp avtryckarspärren.
3. Tryck in avtryckaren utan att kontaktelementet vidrör materialet.
4. Tryck kontaktelementet mot materialet utan att trycka in avtryckaren.

I händelse av att verktyget startar när du genomför punkt 3 eller 4 ovan är det fel på säkerhetssystemet. Avbryt omedelbart användningen av verktyget och kontakta ditt lokala servicecenter.

Spika

⚠ VARNING: Fortsätt hålla kontaktelementet stadigt mot materialet tills spiken är ordentligt intryckt. Oavsiktlig avfyring kan leda till personskada.

1. Släpp avtryckarspärren.
 2. Placera kontaktelementet platt mot materialet.
 3. Tryck in avtryckaren helt för att driva in en spik.
 4. För att skjuta nästa spik tar du bort fingret från avtryckaren och upprepar därefter steg 2 och 3 ovan.
- **Fig.15:** 1. Avtryckare 2. Kontaktelement

Du kan även skjuta in spikarna genom att dra verktyget till nästa punkt med kontaktelementet tryckt emot materialet och aktivera avtryckaren.

► **Fig.16**

Om huvudet på utmatade spikar sticker upp ovanför arbetsstyckets yta driver du i spiken samtidigt som du håller spikpistolens huvud stadigt mot arbetsstycket.

► **Fig.17**

OBS: Om huvudet på utmatade spikar fortfarande sticker upp ovanför arbetsstyckets yta, även om du håller spikpistolens huvud, kanske materialet inte är lämpligt för spikpistolens. Fortsatt användning av spikpistolens på dylikt material kan leda till skada på spikpistolens drivenhet och/eller spikstopp.

Tomgångsspärr

⚠ VARNING: Kontrollera alltid att dina fingrar inte är placerade på avtryckaren eller på kontaktelementet och att batterikassetten är borttagen innan du laddar spikpistolens.

Avtryckaren kan inte tryckas in när det inte finns några spikband i magasinet. Fyll då på magasinet med ett nytt spikband. Avtryckaren kan då tryckas in igen.

Kontrollera återstående spikar

Du kan kontrollera återstående antal spikar genom siktfönstret. Den röda indikatorn flyttas mot avfyrringsmyningen allt eftersom antalet återstående spikar minskar.

► **Fig.18:** 1. Magasinfönster 2. Indikator

Ta bort spikar som fastnat

⚠ VARNING: Kontrollera alltid att du släppte avtryckaren, och att batterikassetten och spikarna i magasinet har tagits bort innan du tar bort spikar som har fastnat.

⚠ FÖRSIKTIGT: Rör inte vid spikar som fastnat med bara händer. Spiken kan hoppa ut ur magasinet och orsaka skada.

Ta bort insexskruvarna på skyddet för matarstyrningen med insexnyckeln.

Ta bort spikar som har fastnat i spikguidens spår med en spårskruvmejsel.

Säkra skyddet för matarstyrningen med insexskruvar.

► **Fig.19:** 1. Skydd för matarstyrning 2. Sexkantsbult

OBS: När skyddet för matarstyrningen har säkrats ska du kontrollera att kontaktarmen fungerar på rätt sätt. Om den inte gör det tar du bort insexskruvarna och monterar skyddet för matarstyrningen igen.

UNDERHÅLL

⚠FÖRSIKTIGT: Se alltid till att maskinen är avstängd och batterikassetten borttagen innan inspektion eller underhåll utförs.

OBSERVERA: Använd inte bensen, förtunningsmedel, alkohol eller liknande. Missfärgning, deformation eller sprickor kan uppstå.

För att upprätthålla produktens SÄKERHET och TILLFÖRLITLIGHET bör allt underhålls- och justeringsarbete utföras av ett auktoriserat Makita servicecenter och med reservdelar från Makita.

VALFRIA TILLBEHÖR

⚠FÖRSIKTIGT: Följande tillbehör eller tillsatser rekommenderas för användning med den Makita-maskin som denna bruksanvisning avser. Om andra tillbehör eller tillsatser används kan det uppstå risk för personsador. Använd endast tillbehören eller tillsatserna för de syften de är avsedda för.

Kontakta ditt lokala Makita servicecenter om du behöver ytterligare information om dessa tillbehör.

- Spikar
- Makitas originalbatteri och -laddare
- Skyddsglasögon

OBS: Några av tillbehören i listan kan vara inkluderade i maskinpaketet som standardtillbehör. De kan variera mellan olika länder.

TEKNISKE DATA

Modell:	DFN350
Spikerstørrelse	18Ga x 15, 20, 25, 30, 35 mm
Kapasitet for spikermagasin	100 stk.
Dimensjoner med BL1860B, uten krok (L x B x H)	257 mm x 79 mm x 228 mm
Nominell spenning	DC 18 V
Nettovekt	2,4 kg

- På grunn av vårt kontinuerlige forsknings- og utviklingsprogram kan spesifikasjonene som oppgis i dette dokumentet endres uten varsel.
- Spesifikasjoner og batteriinnsetning kan variere fra land til land.
- Vekten kan variere avhengig av tilbehøret/tilbehørene, inkludert batteriet. Den letteste og tyngste kombinasjonen, i henhold til EPTA-prosedyre 01/2014, vises i tabellen.

Standard batteri

BL1815 / BL1815N / BL1820 / BL1820B / BL1830 / BL1830B / BL1840 / BL1840B / BL1850 / BL1850B / BL1860B

- Noen av batteriene som er opplistet ovenfor er kanskje ikke tilgjengelige, avhengig av hvor du bor.

⚠ ADVARSEL: Bruk kun de batteriene som er opplistet ovenfor. Bruk av andre batterier kan føre til personskader og/eller brann.

Riktig bruk

Verktøyet er ment brukt på mykt treverk.

Støy

Typisk A-vektet lydtrykknivå er bestemt i henhold til EN60745-2-16:

Lydtrykknivå (L_{pA}): 81 dB (A)

Lydeffektnivå (L_{WA}): 92 dB (A)

Usikkerhet (K): 3 dB (A)

MERK: Den/de oppgitte verdien(e) for genererte vibrasjoner har blitt målt i henhold til standard testmetoder, og kan bli brukt til å sammenligne ett verktøy med et annet.

MERK: Den/de angitte verdien(e) for de genererte vibrasjonene kan også brukes til en foreløpig vurdering av eksponeringen.

⚠ ADVARSEL: Bruk hørselsvern.

⚠ ADVARSEL: De genererte vibrasjonene ved faktisk bruk av elektroverktøyet kan avvike fra den/de angitte vibrasjonsverdien(e), avhengig av hvordan verktøyet brukes.

⚠ ADVARSEL: Sørg for å identifisere vernetiltak for å beskytte operatøren, som er basert på et estimat av eksponeringen under de faktiske bruksforholdene (idet det tas hensyn til alle deler av driftssyklusen, dvs. hvor lenge verktøyet er slått av, hvor lenge det går på tomgang og hvor lenge startbryteren faktisk holdes trykket).

Vibrasjoner

Totalverdiene for vibrasjon er bestemt i henhold til EN60745-2-16:

Genererte vibrasjoner (a_{h1}): 2,5 m/s² eller mindre

Usikkerhet (K): 1,5 m/s²

MERK: Den/de oppgitte verdien(e) for totalt genererte vibrasjoner har blitt målt i henhold til standard testmetoder, og kan bli brukt til å sammenligne ett verktøy med et annet.

MERK: Den/de angitte verdien(e) for totalt genererte vibrasjoner kan også brukes til en foreløpig vurdering av eksponeringen.

⚠ ADVARSEL: De genererte vibrasjonene ved faktisk bruk av elektroverktøyet kan avvike fra den/de angitte vibrasjonsverdien(e), avhengig av hvordan verktøyet brukes og spesielt i forhold til arbeidsstykket som blir behandlet.

⚠ ADVARSEL: Sørg for å identifisere vernetiltak for å beskytte operatøren, som er basert på et estimat av eksponeringen under de faktiske bruksforholdene (idet det tas hensyn til alle deler av driftssyklusen, dvs. hvor lenge verktøyet er slått av, hvor lenge det går på tomgang og hvor lenge startbryteren faktisk holdes trykket).

EFs samsvarserklæring

Gjelder kun for land i Europa

EFs samsvarserklæring er lagt til som vedlegg A i denne bruksanvisningen.

SIKKERHETSADVARSEL

Generelle advarsler angående sikkerhet for elektroverktøy

⚠ADVARSEL: Les alle sikkerhetsadvarsler, instruksjoner, illustrasjoner og spesifikasjoner som følger med dette elektroverktøyet. Hvis ikke alle instruksjonene nedenfor følges, kan det forekomme elektrisk støt, brann og/eller alvorlig skade.

Oppbevar alle advarsler og instruksjoner for senere bruk.

Uttrykket «elektrisk verktøy» i advarslene refererer både til elektriske verktøy (med ledning) tilkoblet strømmettet, og batteridrevne verktøy (uten ledning).

Sikkerhetsanvisninger for batteridrevet spikerpistol

1. **Gå alltid ut fra at verktøyet inneholder spiker.** Uforsiktig håndtering av spikerpistolen kan føre til uventet avfiring av spiker og medføre personskade.
2. **Ikke rett maskinen mot deg selv eller andre i nærheten.** Uventet avfiring vil skyte ut stiftene og forårsake helseskader.
3. **Ikke sett i gang verktøyet med mindre det er plassert godt mot arbeidsemnet.** Hvis maskinen ikke har kontakt med arbeidsemnet, kan stiftene rikosjettere fra målet.
4. **Koble strømkilden fra verktøyet dersom spikeren kjører seg fast i verktøyet.** Når du fjerner en fastkjørt spiker, kan spikerpistolen aktiveres utilsiktet hvis strømkilden er koblet til.
5. **Vær forsiktig når du fjerner en fastkjørt stift.** Mekanismen kan være under trykk, noe som kan føre til at den fastkjørte stiftene blir skutt ut mens du forsøker å fjerne den.
6. **Ikke bruk denne spikerpistolen til å feste elektriske kabler.** Den er ikke utformet for montering av elektriske kabler, og kan skade de elektriske kablens isolasjon, noe som igjen kan føre til elektrisk støt eller utgjøre en brannfare.
7. **Hold hender og føtter unna utkasteråpningen.**
8. **Følg instruksjonene for smøring og skifting av tilbehør.**
9. **Fjern alltid batteriet før du legger i stiftene og justerer, inspiserer eller vedlikeholder verktøyet, eller etter at du er ferdig med å bruke det.**
10. **Pass på at ingen er i nærheten før du begynner å bruke verktøyet.** Forsøk aldri å skyte stiftene både fra insiden og utsiden av veggen på én gang. Stiftene kan gå gjennom og/eller rikosjettere, og utgjøre en alvorlig helsefare.
11. **Se hvor du går og hold balansen med verktøyet.** Forviss deg om at ingen står under deg når du jobber høyt over bakken.
12. **Bruk aldri trykkluftdrevne verktøy med symbolet "Må ikke brukes på stillas eller stiger" til visse formål, for eksempel:**

- når du forflytter deg fra et arbeidssted til et annet, og dette krever at du bruker stillas, trapper, stiger eller stigeliknende konstruksjoner, f.eks. taklekker,
- når du lukker bokser eller kasser,
- når du fester transportsikringsystemer, f.eks. på biler eller vogner.

13. **Kontrollere vegger, tak, gulv osv. grundig for å unngå mulige elektriske støt, gasslekkasjer, eksplosjoner osv. som kan forårsakes av å skyte stifter inn i strømførende ledninger, rør eller gassledninger.**
14. **Bruk kun stiftene som er angitt i denne håndboken.** Hvis det brukes andre stifter, kan verktøyet slutte å fungere som det skal.
15. **Ikke tukle med maskinen eller prøv å bruke den til noe annet enn å skyte stifter.**
16. **Ikke bruk maskinen uten stifter.** Det forkorter maskinens levetid.
17. **Hvis du merker at noe er galt eller uvanlig med verktøyet, må du slutte å stifte umiddelbart.**
18. **Skyt aldri stifter inn i materialer som stifter kan stikke hull på og fly igjennom som et prosjektil.**
19. **Klem aldri på avtrekkeren og kontaktelelementet samtidig før du er klar til å feste arbeidsemner.** La arbeidsemnet trykke ned kontaktelelementet. Du må aldri sette sikringen ut av funksjon ved å låse kontaktelelementet tilbake eller holde det nede med hånden.
20. **Tukle aldri med kontaktelelementet.** Du må kontrollere kontaktelelementet regelmessig for å forsikre deg om at det virker slik det skal.
21. **Spiker skal alltid tas ut av spikerpistolen når den ikke er i bruk.**

TA VARE PÅ DISSE INSTRUKSENE.

⚠ADVARSEL: IKKE LA hensynet til hva som er "behagelig" eller det faktum at du kjenner produktet godt (etter mange gangers bruk) gjøre deg mindre oppmerksom på sikkerhetsreglene for bruken av det aktuelle produktet. Ved MISBRUK eller hvis ikke sikkerhetsreglene i denne bruksanvisningen følges, kan det oppstå alvorlig personskade.

Viktige sikkerhetsanvisninger for batteriinnsetts

1. **Før du begynner å bruke batteriet, må du lese alle anvisninger og forsiktighetsregler på (1) batteriladeren, (2) batteriet og (3) det produktet batteriet skal brukes i.**
2. **Ikke ta fra hverandre batteriet.**
3. **Hvis driftstiden er blitt vesentlig kortere, må du omgående slutte å bruke maskinen.** Hvis ikke kan resultatet bli overoppheting, mulige forbrenninger eller til og med en eksplosjon.
4. **Hvis du får elektrolytt i øynene, må du skylle dem med store mengder rennende vann og oppsøke lege med én gang.** Denne typen uhell kan føre til varig blindhet.

5. Ikke kortslutt batteriet:
 - (1) De kan være ekstremt varme og du kan brenne deg.
 - (2) Ikke lagre batteriet i samme beholder som andre metallgjenstander, som for eksempel spiker, mynter osv.
 - (3) Ikke la batteriet komme i kontakt med vann eller regn.

En kortslutning av batteriet kan føre til et kraftig strømstøt, overoppvarming, mulige forbrenninger og til og med til at batteriet går i stykker.

6. Ikke lagre maskinen og batteriet på steder hvor temperaturen kan komme opp i eller overskride 50 °C.
7. Ikke sett fyr på batteriet, ikke engang om det er sterkt skadet eller helt utslitt. Batteriet kan eksplodere hvis det begynner å brenne.
8. Vær forsiktig så du ikke mister batteriet eller utsetter det for slag.
9. Ikke bruk batterier som er skadet.
10. Lithium-ion-batteriene som medfølger er gjenstand for krav om spesialavfall. For kommersiell transport, f.eks av tredjeparter eller spedittører, må spesielle krav om pakking og merking følges. Før varen blir sendt, må du forhøre deg med en ekspert på farlig materiale. Ta også hensyn til muligheten for mer detaljerte nasjonale bestemmelser.

Bruk teip eller maskeringsteip for å skjule åpne kontakter og pakk inn batteriet på en slik måte at den ikke kan bevege seg rundt i emballasjen.
11. Følg lokale bestemmelser for avhending av batterier.
12. Bruk batteriene kun med produkter spesifisert av Makita. Montere batteriene i produkter som ikke er konforme kan føre til brann, overheting eller elektrolyttlekkasje.

TA VARE PÅ DISSE INSTRUKSENE.

⚠FORSIKTIG: Bruk kun originale Makita-batterier. Bruk av batterier som har endret seg, eller som ikke er originale Makita-batterier, kan føre til at batteriet sprekker og forårsaker brann, personskader og andre skader. Det vil også ugyldiggjøre garantien for Makita-verktøyet og -laderen.

Tips for å opprettholde maksimal batterilevetid

1. Lad batteriinnsetsen før den er helt utladet. Stopp alltid driften av verktøyet og lad batteriinnsetsen når du merker at effekten reduseres.
2. Lad aldri en batteriinnsets som er fulladet. Overoplading forkorter batteriets levetid.
3. Lad batteriet i romtemperatur ved 10 °C - 40 °C. Et varmt batteri må kjøles ned før lading.
4. Lad batteriet hvis det ikke har vært brukt på en lang stund (over seks måneder).

FUNKSJONSBEKRIVELSE

⚠FORSIKTIG: Forviss deg alltid om at maskinen er slått av og batteriet tatt ut før du justerer maskinen eller kontrollerer dens mekaniske funksjoner.

Sette inn eller ta ut batteri

⚠FORSIKTIG: Slå alltid av verktøyet før du setter inn eller fjerner batteriet.

⚠FORSIKTIG: Hold verktøyet og batteripatronen i et fast grep når du monterer eller fjerner batteripatronen. Hvis du ikke holder verktøyet og batteripatronen godt fast, kan du miste grepet, og dette kan føre til skader på verktøyet og batteripatronen samt personskader.

► Fig.1: 1. Rød indikator 2. Knapp 3. Batteriinnsets

For å ta ut batteriet må du skyve på knappen foran på batteriet og trekke det ut.

Når du skal sette inn batteriet, må du plassere tungen på batteriet på linje med sporet i huset og skyve batteriet på plass. Skyv det helt inn til det går i inngrep med et lite klikk. Hvis du kan se den røde anviseren på oversiden av knappen, er det ikke fullstendig låst.

⚠FORSIKTIG: Batteriet må alltid settes helt inn, så langt at den røde anviseren ikke lenger er synlig. Hvis dette ikke gjøres, kan batteriet komme til å falle ut av maskinen og skade deg eller andre som oppholder seg i nærheten.

⚠FORSIKTIG: Ikke bruk makt når du setter i batteriet. Hvis batteriet ikke glir lett inn, er det fordi det ikke settes inn på riktig måte.

Batterivernsystem for verktøy/batteri

Verktøyet er utstyrt med et batterivernsystem for verktøy/batteri. Dette systemet kutter automatisk strømmen til motoren for å forlenge verktøyets og batteriets levetid. Verktøyet stopper automatisk under drift hvis verktøyet eller batteriet utsettes for en av følgende tilstander:

Overlastsikring

Når verktøyet/batteriet brukes på en måte som gjør at det bruker unormalt mye strøm, vil verktøyet stoppe automatisk og uten forvarsel. I dette tilfellet må du slå av verktøyet og avslutte bruken som forårsaket at verktøyet ble overbelastet. Slå deretter verktøyet på for å starte det igjen.

Overoppvetingsvern

Når verktøyet/batteriet er overoppvetet, stopper verktøyet automatisk. I dette tilfellet må du la verktøyet/batteriet avkjøles før du starter verktøyet på nytt.

Overutladingsvern

Når det blir batterikapasiteten er utilstrekkelig, stopper verktøyet automatisk. I så fall fjerner du batteriet fra verktøyet og lader det.

Indikere gjenværende batterikapasitet

Kun for batterier med indikatoren

► Fig.2: 1. Indikatorlamper 2. Kontrollknapp

Trykk på sjekk-knappen på batteriet for vise gjenværende batterikapasitet. Indikatorlampene lyser i et par sekunder.

Indikatorlamper			Gjenværende batterinivå
Tent	Av	Blinker	
			75 % til 100 %
			50 % til 75 %
			25 % til 50 %
			0 % til 25 %
			Lad batteriet.
			Batteriet kan ha en feil.

MERK: Det angitte nivået kan avvike noe fra den faktiske kapasiteten alt etter bruksforholdene og den omgivende temperaturen.

Låseknapp

⚠FORSIKTIG: Før du setter batteriet inn i maskinen, må du alltid kontrollere at startbryteren aktiverer maskinen på riktig måte og går tilbake til «AV»-stilling når den slippes.

⚠FORSIKTIG: Når du ikke skal bruke maskinen lenger, trykker du inn låseknappen fra side B for å låse startbryteren i stillingen AV.

► Fig.3: 1. Låseknapp 2. Startbryter

► Fig.4

Maskinen er utstyrt med en låseknapp, som hindrer at startbryteren trykkes inn ved en feiltakelse.

For å trykke inn startbryteren, må du trykke ned låseknappen fra side A.

Trykk alltid inn låseknappen fra side B når du er ferdig med å bruke maskinen.

Justering av spikerdybden

⚠ADVARSEL: Forviss deg alltid om at fingrene dine ikke befinner seg på avtrekkeren eller kontaktelelementet, og at batteriet er tatt ut før du justerer spikringsdybden.

Spikerdybden kan justeres på denne spikerpistolen. For å justere spikringsdybden må du dreie på justeringshjulet. Spikringsdybden er størst når justeringshjulet ikke går lenger i A-retningen, som vist på figuren. Den vil bli mindre når justeringshjulet dreies i B-retningen. Dybden kan justeres til maksimalt 2,5 mm.

► Fig.5: 1. Justeringshjul

► Fig.6: 1. For dypt 2. I flukt 3. For grunt

Tenne lampen

⚠FORSIKTIG: Ikke se inn i lyset eller se direkte på lyskilden.

Trykk på startbryteren eller aktiver kontaktelelementet for å tenne lampen. Lampen fortsetter å lyse så lenge startbryteren holdes inne eller kontaktelelementet aktiveres. Lampen slukkes omtrent 10 sekunder etter at startbryteren og kontaktelelementet er sluppet.

► Fig.7: 1. Lampe

MERK: Bruk en tørr klut til å tørke støv osv. av lampelinsen. Vær forsiktig så det ikke blir riper i lampelinsen, da dette kan redusere lysstyrken.

MERK: Selv om lampen lyser når batterinivået er lavt, er det ikke sikkert at spikerpistolen vil avfyre noen spiker. I så fall må du lade batteriet.

MERK: Lampen begynner å blinke hvis spikerpistolen påviser en feil når spikeren skytes. I dette tilfellet må spikerpistolen leveres til fabrikkens servicesenter.

MONTERING

⚠FORSIKTIG: Pass alltid på at fingrene dine ikke befinner seg på startbryteren eller kontaktelelementet, og at batteriet er tatt ut før du utfører arbeid på spikerpistolen.

Legge i eller ta ut spikrene

⚠FORSIKTIG: Forviss deg alltid om at fingrene dine ikke befinner seg på avtrekkeren, og at batteriet og spikrene er tatt ut før du setter i spikre.

⚠FORSIKTIG: Ikke åpne skyvedøren på spikerpistolen brått hvis den er full av spiker. Hvis du mister spikrer, særlig når du jobber høyt oppe, kan det føre til personskader.

⚠FORSIKTIG: Sett spikrene inn i riktig retning. Hvis du legger dem i feil retning, kan spikerpistolen slites ut etter kort tid, og andre deler kan skades.

⚠FORSIKTIG: Ikke bruk spikre eller spikerremser som er deformert. Bruk spikrer som er angitt i denne håndboken. Hvis det brukes andre spiker enn det som er angitt, kan det føre til at spikrene sitter fast og knekker i spikerpistolen.

1. Trykk på låsehendelen og åpne skyvedøren på magasinet.

► Fig.8: 1. Sperrespak 2. Skyvedør 3. Stempelføring 4. Magasin

2. Still spikerremsen slik at spissen på spikrene berører bunnen på magasinet, og skyv spikerremsen mot avfyringsåpningen.

► Fig.9: 1. Spikrer 2. Skyvedør 3. Stempelføring

3. Sett skyvedøren tilbake til opprinnelig posisjon, til den låses av låsehendelen.

Når spikrene skal tas ut, trykk på låsehendelen og skyv på skyvedøren. Ta ut spikrene fra magasinet.

Frontadapter

⚠️FORSIKTIG: Forviss deg alltid om at fingrene dine ikke befinner seg på avtrekkeren eller kontaktelementet, og at batteriet er tatt ut før du installerer frontadapteren.

Når du skal spikre i et materiale med ømfintlig overflate, må du bruke frontadapteren. For å sette på frontadapteren, setter du den på enden av føringsdekslet.

Når frontadapteren ikke er i bruk, kan den oppbevares på holderen på bakre ende av magasinet, så den ikke mistes.

► **Fig.10:** 1. Frontadapter 2. Holder

Krok

⚠️FORSIKTIG: Ikke heng kroken i verktøybeltet. Hvis du mister spikerpistolens fordi kroken glir ut av beltet ved et uhell, kan den avfyres og forårsake personskader.

► **Fig.11**

Kroken er praktisk å henge verktøyet i over kortere tid. Den kan monteres på begge sider av verktøyet.

For å montere kroken, må du sette den inn i sporet på en av sidene av verktøyhuset og feste den med en skrue. Ta den av igjen ved å løse skruen.

► **Fig.12:** 1. Spor 2. Krok 3. Skruer

Oppbevaring av sekskantnøkkel

Når sekskantnøkkelen ikke er i bruk, må du oppbevare den som vist i figuren, slik at du ikke mister den.

► **Fig.13:** 1. Sekskantnøkkel

BRUK

Testing av sikkerhetssystemet

⚠️ADVARSEL: Pass på at alle sikkerhetssystemene fungerer som de skal før du tar verktøyet i bruk. Hvis ikke, kan det resultere i helseskader.

► **Fig.14:** 1. Låseknapp 2. Startbryter 3. Kontaktelement 4. Magasin

Test sikkerhetssystemene slik for å forvise deg om at de ikke er defekte.

1. Ta spikrene ut av verktøyet, og hold magasinet åpent.
2. Installer batteriet, og frigjør avtrekkerlåsen.
3. Trykk inn startbryteren uten å berøre arbeidsemnet med kontaktelementet.
4. Berør arbeidsemnet med kontaktelementet uten å trykke inn startbryteren.

Hvis verktøyet starter i tilfelle 3 og 4 ovenfor, er sikkerhetssystemene defekte. Avslutt bruken av verktøyet umiddelbart og ta kontakt med nærmeste serviceverksted.

Spikre

⚠️ADVARSEL: Fortsett å presse kontaktelementet bestemt mot materialet til spikeren er drevet helt inn. Utsiktet avfyring kan forårsake personskader.

1. Frigjør avtrekkerlåsen.
2. Sett kontaktelementet flatt på arbeidsemnet.
3. Dra startbryteren til maks. for å skyte ut en spiker.
4. Når du skal skyte ut neste spiker, frigjør du fingeren fra startbryteren én gang, og deretter gjentar du trinn 2 og 3 ovenfor.

► **Fig.15:** 1. Avtrekkerlås 2. Kontaktelement

Du kan også skyte inn spikrene mens du drar verktøyet til neste område med kontaktelementet presset mot materialet mens du drar i startbryteren.

► **Fig.16**

Når hodet til en avfyrt spiker står opp fra overflaten av arbeidsstykket, må du skyte inn spikeren mens du holder spikerpistolhodet godt mot arbeidsstykket.

► **Fig.17**

MERK: Hvis hodet til en avfyrt spiker står opp fra arbeidsstykket, selv om spikerpistolhodet holdes i et fast grep, er det mulig at materialet ikke egner seg for spikerpistolens. Hvis du fortsetter å bruke spikerpistolens på et slikt materiale, kan det føre til skade på spikerpistolens og/eller at spikrene setter seg fast.

Avfiringssperre ved tomt magasin

⚠️ADVARSEL: Forviss deg alltid om at fingrene dine ikke befinner seg på startbryteren eller kontaktelementet, og at batteriinnsetningen er tatt ut før du legger spiker i spikerpistolens.

Når det ikke er flere spikerremser igjen i magasinet, kan du ikke lenger trekke i startbryteren. Nå setter du inn en spikerremse i magasinet. Startbryteren kan trykkes igjen.

Kontroll av resterende spikre

Du kan kontrollere mengden gjenværende spikre gjennom siktvinduet.

Den røde indikatoren beveger seg mot utløpet etter hvert som spikermengden reduseres.

► **Fig.18:** 1. Siktvindu 2. Indikator

Fjerne fastsittende spikrer

⚠️ADVARSEL: Pass alltid på at avtrekkeren er sluppet og batteriet fjernet før du fjerner fastsittende spiker.

⚠️FORSIKTIG: Ikke fjern fastkjørte spikrene med bare hendene. En spiker kan skytes ut av magasinet og forårsake en personskade.

Bruk en sekskantnøkkel til å skru ut sekskantboltene som holder pistolføringsdekslet på plass.

Fjern de fastkjørte spikrene fra spikerføringssporet med en skrutrekker.

Fest pistolføringsdekslet med sekskantbolter.

► **Fig.19:** 1. Stempelføringsdeksel 2. Sekskantbolt

MERK: Når pistolføringsdekselet er festet, må du alltid kontrollere at pistolføringsdekselet fungerer som det skal. Hvis det ikke gjør det, må sekskantboltene fjernes og pistolføringsdekselet festes på nytt.

VEDLIKEHOLD

⚠FORSIKTIG: Forviss deg alltid om at maskinen er slått av og batteriet tatt ut før du foretar inspeksjon eller vedlikehold.

OBS: Aldri bruk gasolin, bensin, tynner alkohol eller lignende. Det kan føre til misfarging, deformering eller sprekkdannelse.

For å opprettholde produktets SIKKERHET og PALITELIGHET, må reparasjoner, vedlikehold og justeringer utføres av autoriserte Makita servicesentre eller fabrikk-servicesentre, og det må alltid brukes reservedeler fra Makita.

VALGFRITT TILBEHØR

⚠FORSIKTIG: Det anbefales at du bruker dette tilbehøret eller verktøyet sammen med den Makita-maskinen som er spesifisert i denne håndboken. Bruk av annet tilbehør eller verktøy kan forårsake personskader. Tilbehør og verktøy må kun brukes til det formålet det er beregnet på.

Ta kontakt med ditt lokale Makita-servicesenter hvis du trenger mer informasjon om dette tilbehøret.

- Spikrer
- Makita originalbatteri og lader
- Vernebriller

MERK: Enkelte elementer i listen kan være inkludert som standardtilbehør i verktøypakken. Elementene kan variere fra land til land.

TEKNISET TIEDOT

Malli:	DFN350
Naulakoko	18Ga x 15, 20, 25, 30, 35 mm
Naulamakasiinin kapasiteetti	100 kpl
Mitat BL1860B:n kanssa ja ilman koukkuja (P x L x K)	257 mm x 79 mm x 228 mm
Nimellisjännite	DC 18 V
Nettopaino	2,4 kg

- Jatkuvasta tutkimus- ja kehitystyöstämme johtuen esitetyt tekniset tiedot saattavat muuttua ilman erillistä ilmoitusta.
- Tekniset tiedot ja akkupaketti voivat vaihdella maittain.
- Paino voi olla erilainen lisävarusteista sekä akusta johtuen. EPTA-menetellytavan 01/2014 mukaisesti, taulukossa on kuvattu kevyin ja painavin laiteyhdistelmä.

Käytettävä akkupaketti

BL1815 / BL1815N / BL1820 / BL1820B / BL1830 / BL1830B / BL1840 / BL1840B / BL1850 / BL1850B / BL1860B

- Tiettyjä yläpuolella kuvattuja akkuja ei ehkä ole saatavana asuinalueestasi johtuen.

VAROITUS: Käytä vain edellä eriteltyjä akkupaketteja. Muiden akkupakettien käyttäminen voi aiheuttaa loukkaantumisen ja/tai tulipalon.

Käyttötarkoitus

Laite on tarkoitettu pehmeän puun kiinninaulaamiseen.

Melutaso

Tyypillinen A-painotettu melutaso määräytyy standardin EN60745-2-16 mukaan:

Äänenpainetaso (L_{pA}): 81 dB (A)

Äänen voiman taso (L_{WA}): 92 dB (A)

Virhemarginaali (K): 3 dB (A)

HUOMAA: Ilmoitetut melutasoarvot on mitattu standarditestausmenetelmän mukaisesti ja niiden avulla voidaan vertailla työkaluja keskenään.

HUOMAA: Ilmoitettuja melutasoarvoja voidaan käyttää myös altistumisen alustavaan arviointiin.

VAROITUS: Käytä kuulosuojaimia.

VAROITUS: Sähkötyökalun käytön aikana mitattu melutasoarvo voi poiketa ilmoitetuista arvoista laitteen käyttötavan ja erityisesti käsiteltävän työkalupaleen mukaan.

VAROITUS: Selvitä käyttäjän suojaamiseksi tarvittavat varoimet todellisissa käyttöolosuhteissa tapahtuvan arvioitun altistumisen mukaisesti (ottaen huomioon käyttöjaksot kokonaisuuksissaan, myös jaksot, joiden aikana laite on sammutettuna tai käy tyhjäkäynnillä).

Tärinä

Standardin EN60745-2-16 mukaan määräytyvä tärinäarvo:

Tärinäpäästö (a_{h1}): 2,5 m/s² tai alhaisempi

Virhemarginaali (K): 1,5 m/s²

HUOMAA: Ilmoitetut kokonaistärinäarvot on mitattu standarditestausmenetelmän mukaisesti ja niiden avulla voidaan vertailla työkaluja keskenään.

HUOMAA: Ilmoitettuja kokonaistärinäarvoja voidaan käyttää myös altistumisen alustavaan arviointiin.

VAROITUS: Sähkötyökalun käytön aikana mitattu todellinen tärinäpäästöarvo voi poiketa ilmoitetuista arvoista laitteen käyttötavan ja erityisesti käsiteltävän työkalupaleen mukaan.

VAROITUS: Selvitä käyttäjän suojaamiseksi tarvittavat varoimet todellisissa käyttöolosuhteissa tapahtuvan arvioitun altistumisen mukaisesti (ottaen huomioon käyttöjaksot kokonaisuuksissaan, myös jaksot, joiden aikana laite on sammutettuna tai käy tyhjäkäynnillä).

EY-vaatimustenmukaisuusvakuutus

Koskee vain Euroopan maita

EY-vaatimustenmukaisuusvakuutus on liitetty tähän käyttöoppaaseen.

TURVAVAROITUKSET

Sähkötyökalujen käyttöä koskevat yleiset varoitukset

VAROITUS: Tutustu kaikkiin tämän sähkötyökalun mukana toimitettuihin varoituksiin, ohjeisiin, kuviin ja teknisiin tietoihin. Seuraavassa lueteltujen ohjeiden noudattamatta jättäminen saattaa johtaa sähköiskuun, tulipaloon tai vakavaan vammautumiseen.

Säilytä varoitukset ja ohjeet tulevaa käyttöä varten.

Varoituksissa käytettävällä termillä "sähkötyökalu" tarkoitetaan joko verkkovirtaa käyttävää (johdollista) työkalua tai akkukäyttöistä (johdotonta) työkalua.

Akkukäyttöisen naulaimen turvallisuutta koskevat varoitukset

- Oleta aina, että työkalu on ladattu kiinnittimillä.** Huolimaton naulaimen käsittely voi aiheuttaa kiinnittimien odottamattoman laukaisun ja henkilövahingon.
- Älä suuntaa työkalua itseesi tai muita lähelläsi olevia päin.** Yllättävä liipaisimen painallus voi vapauttaa kiinnittimen ja aiheuttaa vammautumisen.
- Älä aktivoi työkalua, jollei työkalu ole tukevasti työkaluun vasten.** Jos työkalu ei ole yhteydessä työkalupaleeseen, kiinnitin voi poiketa aiotusta suunnasta.
- Katkaise työkalun virta, jos kiinnitin juuttuu työkalussa.** Naulain saattaa laueta vahingossa, jos juuttunutta kiinnintä yritetään irrottaa työkalun virran ollessa päällä.
- Ole varovainen jumittunutta kiinnintä poistaessasi.** Koneisto saattaa puristuksessa ja kiinnitin saattaa laueta voimakkaasti, kun yrität vapauttaa jumittunutta tilaa.
- Älä käytä tätä naulainta sähköjohtojen kiinnittämiseen.** Työkalua ei ole tarkoitettu sähköjohtojen asentamiseen ja se voi vaurioittaa sähköjohtojen eristeitä aiheuttaen sähköiskun tai tulipalon.
- Pidä kädet ja jalat poissa poistoaukon tuntumasta.**
- Noudata voitelu- ja lisävarusteiden vaihto-ohjeita.**
- Irrota akku aina ennen kiinnittimien lisäämistä ja säätö-, tarkistus- tai huoltotoimia ja kun lopetat työkalun käytön.**
- Varmista ennen käyttöä, ettei lähellä ole keitään.** Älä koskaan yritä viedä läpi kiinnittimiä samaan aikaan seinän sisä- ja ulkopuolelta. Kiinnittimet voivat tunkeutua läpi ja/tai kimmoa ja aiheuttaa vakavia vaaratilanteita.
- Huolehdi jalansijasta ja säilytä tasapaino käsitellessäsi työkalua.** Varmista, ettei kukaan ole alapuolella, kun työskentelet korkeissa paikoissa.

- Älä koskaan käytä naulainta seuraavanlaisiin erityistiloihin, joissa on merkintä "Älä käytä telineillä, tikkailla", kuten esimerkiksi:**
 - jos käyttöpaikan vaihtaminen edellyttää telineiden, portaiden, tikkaiden tai vastavien rakennelmien, kuten kattorimoituksen käyttöä,
 - laatikoiden tai häkkien sulkeminen,
 - kuljetuksenaikaisten turvajärjestelmien kiinnittäminen esim. ajoneuvoihin tai vaunuihin.
- Tarkista seinät, katon, lattiat, kattorakenteet ja vastaavat huolella välttääksesi sähköjohtoon, kanavaan tai kaasuputkeen osuvan niittaamisen aiheuttaman sähköiskun, kaasuvuodon, räjähdyksen tms.**
- Käytä vain tässä ohjekirjassa ilmoitettuja kiinnittimiä.** Kaikkien muiden kiinnittimien käyttäminen voi aiheuttaa työkaluun toimintahäiriön.
- Älä tee työkaluun muutoksia äläkä yritä käyttää sitä muuhun kuin kiinnittimien kiinnittämiseen.**
- Älä käytä työkalua ilman kiinnittimiä.** Se lyhentää työkalun palveluikää.
- Lopeta käyttö välittömästi, jos havaitset työkalussa jotain vikaa tai tavallisesta poikkeavaa.**
- Älä koskaan niittaa materiaalia, jonka kiinnitin voi läpäistä ja jatkaa lentorataansa.**
- Älä koskaan käytä liipaisinta ja turvavipua samanaikaisesti, ennen kuin olet valmis työkaluun kiinnittämiseen.** Anna työkaluun puristua turvavipua vasten. Älä koskaan vähennä sen turvavaikutusta lukitsemalla turvavipu taka-asentoon tai painamalla sitä kädellä.
- Älä koskaan peukaloi turvakytintä.** Tarkista usein, että turvakytin toimii asianmukaisesti.
- Poista aina kiinnittimet työkalusta, kun työkalu ei ole käytössä.**

SÄILYTÄ NÄMÄ OHJEET.

VAROITUS: ÄLÄ anna työkalun helpokäyttöisyyden (toistuvan käytön aikaansaama) johtaa sinua väärrään turvallisuuden tunteeseen niin, että laiminlyöt työkalun turvaohjeiden noudattamisen. **VÄÄRINKÄYTTÖ** tai tässä käyttöohjeessa ilmoitettujen turvamääräysten laiminlyönti voi aiheuttaa vakavia henkilövahinkoja.

Akkupakettia koskevia tärkeitä turvaohjeita

- Ennen akun käyttöönottoa tutustu kaikkiin laturissa (1), akussa (2) ja akkukäyttöisessä tuotteessa (3) oleviin varoitusteksteihin.
- Älä pura akkua.
- Jos akun toiminta-aika lyhenee merkittävästi, lopeta akun käyttö. Seurauksena voi olla ylikuumeneminen, palovammoja tai jopa räjähdys.
- Jos akkunenestettä pääsee silmiin, huuhtele puhtaalla vedellä ja hakeudu välittömästi lääkärin hoitoon. Akkuneneste voi aiheuttaa näön menetyksen.

5. Älä oikosulje akkua.
- (1) Älä koske akun napoihin millään sähköä johtavalla materiaalilla.
 - (2) Vältä akun oikosulkumista äläkä säilytä akkua yhdessä muiden metalliesineiden, kuten nauhojen, kolikoiden ja niin edelleen kanssa.
 - (3) Älä aseta akkua alttiiksi vedelle tai sateelle.

Oikosulku voi aiheuttaa virtapiikin, ylikuumentumista, palovammoja tai laitteen rikkoontumisen.

6. Älä säilytä työkalua ja akkua paikassa, jossa lämpötila voi nousta 50 °C:een tai sitäkin korkeammaksi.
7. Älä hävitä akkua polttamalla, vaikka se olisi pahoin vaurioitunut tai täysin loppuun kulunut. Avotuli voi aiheuttaa akun räjähtämisen. Varo kolhimasta tai pudottamasta akkua.
9. Älä käytä viallista akkua.
10. Sisältyviä litium-ioni-akkuja koskevat vaarallisten aineiden lainsäädännön vaatimukset. Esimerkiksi kolmansien osapuolten huolintaliikkeiden tulee kaupallisissa kuljetuksissa noudattaa pakkaamista ja merkintöjä koskevia erityisvaatimuksia. Lähettävän tuotteen valmistelu edellyttää vaarallisten aineiden asiantuntijan neuvontaa. Huomioi myös mahdollisesti yksityiskohtaisemmat kansalliset määräykset Akun avoimet liittimet tulee suojata teipillä tai suojuksella ja pakkaaminen tulee tehdä niin, ettei akku voi liikkua pakkauksessa.
11. Hävitä akku paikallisten määräysten mukaisesti.
12. Käytä akkua vain Makitan ilmoittamien tuotteiden kanssa. Akkujen asentaminen yhteensopimattomiin tuotteisiin voi aiheuttaa tulipalon, liiallisen ylikuumentumisen, räjähdyksen tai akkunestevuotoja.

SÄILYTÄ NÄMÄ OHJEET.

⚠HUOMIO: Käytä vain alkuperäisiä Makita-akkuja. Muiden kuin aitojen Makita-akkujen, tai mahdollisesti muutettujen akkujen käyttö voi johtaa akun murtumiseen ja aiheuttaa tulipaloja, henkilö- ja omaisuusvahinkoja. Se mitätöi myös Makita-työkalun ja -laturin Makita-takuun.

Vihjeitä akun käyttöiän pidentämiseksi

1. Lataa akku ennen kuin se purkautuu täysin. Lopeta aina työkalun käyttö ja lataa akku, jos huomaat työkalun tehon vähenevän.
2. Älä koskaan lataa uudestaan täysin ladattua akkua. Ylilataaminen lyhentää akun käyttöikää.
3. Lataa akku huoneen lämpötilassa välillä 10 °C - 40 °C. Anna kuuman akun jäähtyä ennen lataamista.
4. Lataa akkupaketti, jos et käytä sitä pitkään aikaan (yli kuusi kuukautta).

TOIMINTOJEN KUVAUS

⚠HUOMIO: Varmista aina ennen säätöjä ja tarkastuksia, että työkalu on sammutettu ja akkupaketti irrotettu.

Akun asentaminen tai irrottaminen

⚠HUOMIO: Sammuta työkalu aina ennen akun kiinnittämistä tai irrottamista.

⚠HUOMIO: Pidä työkalusta ja akusta tiukasti kiinni, kun irrotat tai kiinnität akkua. Jos akkupaketti tai työkalu putoaa, ne voivat vaurioitua tai aiheuttaa tapaturman.

- **Kuva1:** 1. Punainen merkkivalo 2. Painike 3. Akkupaketti

Irrota akku painamalla akun etupuolella olevaa painiketta ja vetämällä akku ulos työkalusta.

Akku liitetään sovitamalla akun kieleke rungon uraan ja työntämällä se sitten paikoilleen. Työnnä akku pohjaan asti niin, että kuulet sen napsahtavan paikoilleen. Jos painikkeen yläpuolella näkyy punainen ilmaisin, akku ei ole lukkiutunut täysin paikoilleen.

⚠HUOMIO: Työnnä akku aina pohjaan asti, niin että punainen ilmaisin ei enää näy. Jos akku ei ole kunnolla paikallaan, se voi pudota työkalusta ja aiheuttaa vammoja joko sinulle tai sivullisille.

⚠HUOMIO: Älä käytä voimaa akun asennuksessa. Jos akku ei lii'u paikalleen helposti, se on väärässä asennossa.

Työkalun/akun suojausjärjestelmä

Työkalu on varustettu työkalu/akun suojausjärjestelmällä. Tämä järjestelmä pidentää työkalun ja akun käyttöikää katkaisemalla automaattisesti moottorin virran. Työkalu pysähtyy automaattisesti kesken käytön, jos työkalussa tai akussa ilmenee jokin seuraavista tilanteista:

Ylikuormitussuoja

Kun työkalua/akkua käytetään tavalla, joka saa sen kuluttamaan epätavallisen suuren määrän virtaa, työkalu pysähtyy automaattisesti ilman mitään merkkivaloa tai ilmaistinta. Katkaise tässä tilanteessa työkalusta virta ja lopeta ylikuormitus tilan aiheuttanut käyttö. Käynnistä sitten työkalu uudelleen kytkemällä siihen virta.

Ylikuumentumissuoja

Kun työkalu/akku ylikuumentuu, työkalu pysähtyy automaattisesti. Anna silloin työkalun/akun jäähtyä, ennen kuin kytket työkaluun uudelleen virran.

Ylipurkautumissuoja

Kun akun varaus on riittämätön, työkalu pysähtyy automaattisesti. Irrota silloin akku työkalusta ja lataa se.

Akun jäljellä olevan varaustason ilmaisin

Vain akkupaketeille ilmaisimella

► **Kuva2:** 1. Merkkivalot 2. Tarkistuspainike

Painamalla tarkistuspainiketta saat näkyviin akun jäljellä olevan varauksen. Merkkivalot palavat muutamana sekunnin ajan.

Merkkivalot			Akussa jäljellä olevan varaus
Palaa	Pois päältä	Vilkkuu	
■	□	▬	
■ ■ ■ ■			75% - 100%
■ ■ ■ □			50% - 75%
■ ■ □ □			25% - 50%
■ □ □ □			0% - 25%
▬ □ □ □			Lataa akku.
■ ■ □ □	↑ ↓	□ □ ■ ■	Akussa on saattanut olla toimintahäiriö.

HUOMAA: Ilmoitettu varaustaso voi erota hieman todellisesta varaustasosta sen mukaan, millaisissa oloissa ja missä lämpötilassa laitetta käytetään.

Liipaisinlukkopainike

HUOMIO: Tarkista aina ennen akkupaketin asettamista työkaluun, että liipaisinkytkin kytkeytyy oikein ja palaa ”OFF”-asentoon, kun se vapautetaan.

HUOMIO: Kun et käytä työkalua, lukitse liipaisinkytkin OFF-asentoon painamalla liipaisinlukkopainiketta B-puolelta.

► **Kuva3:** 1. Liipaisinlukkopainike 2. Liipaisinkytkin
► **Kuva4**

Laitteessa on liipaisinlukkopainike, joka estää liipaisinkytkimen painamisen vahingossa.

Vetääksesi kytkinlaukaisimesta, paina liipaisinlukkopainiketta A-puolelta.

Paina aina käytön jälkeen liipaisinlukkopainiketta B-puolelta.

Naulaussyvyiden säätö

VAROITUS: Varmista aina, ettei sormesi ole liipaisimen tai turvavivun päällä, sekä että akku on poistettu ennen naulaimen naulaussyvyiden säätöä.

Tässä naulaimessa on säädettävä naulaussyvyys. Naulaussyvyys säädetään säädintä kääntämällä. Naulaussyvyys on syvin, kun säädin on käännetty täysin suuntaan A kuvan mukaisesti. Se muuttuu matalammaksi, kun säädintä käännetään suuntaan B. Syvyyden voi säätää suurimmillaan 2,5 mm:iin.

► **Kuva5:** 1. Säädin

► **Kuva6:** 1. Liian syvä 2. Samalla tasolla 3. Liian matala

Lampun sytyttäminen

HUOMIO: Älä katso suoraan lampuun tai valonlähteeseen.

Lamppu syttyy, kun vedät liipaisinkytkintä tai aktivoit turvakytkimen. Lamppu palaa niin kauan kuin liipaisinkytkintä vedetään tai turvakytkin on aktivoitu. Lamppu sammuu noin 10 sekunnin kuluttua liipaisinkytkimen tai turvakytkimen vapauttamisesta.

► **Kuva7:** 1. Lamppu

HUOMAA: Pyyhi lika pois linssistä kuivalla liinalla. Varo naarmuttamasta linssiä, ettei valoteho laske.

HUOMAA: Kun akun jännösteho pienenee, naulain ei välttämättä laukaise nauloja, vaikka lamppu syttyisi. Tässä tilanteessa lataa akku.

HUOMAA: Lamppu alkaa vilkkua, jos naulain havaitsee virheen naulan syötössä. Toimita naulain tällöin tehtaan huoltopisteeseen.

KOKOONPANO

HUOMIO: Varmista aina, ettei sormesi ole liipaisinkytkimen tai turvakärjen päällä, ja että akku on poistettu ennen minkäänlaisen työn suorittamista nauлайella.

Naulojen lisääminen tai poistaminen

HUOMIO: Varmista aina, että sormesi eivät ole liipaisimella ja että akku on irrotettu, ennen kuin lisäät tai poistat nauloja.

HUOMIO: Älä liikuta naulaimen liukukantta äkillisesti, jos nauлайessa on nauloja. Naulojen pudottaminen vahingossa, erityisesti korkealla työkenneltyessä, voi aiheuttaa henkilövahinkoja.

HUOMIO: Aseta naulat oikeaan suuntaan. Väärään suuntaan lataaminen voi aiheuttaa käyttöpään ennaikaisen kulumisen ja sekä muiden osien vahingoittumisen.

HUOMIO: Älä käytä vääntyneitä naulaliuskoja. Käytä vain tässä ohjekirjassa ilmoitettuja nauloja. Muiden kuin näissä ohjeissa mainittujen naulojen käyttäminen voi aiheuttaa naulojen juuttumista ja vaurioittaa naulainta.

1. Paina lukitusvipua ja avaa makasiinin liukukansi.
► **Kuva8:** 1. Lukitusvipu 2. Liukukansi 3. Käyttöpään ohjain 4. Makasiini

2. Aseta naulaliuska siten, että naulojen kärjet koskettavat makasiinin pohjaa, ja liu'uta naulaliuska sitten laukaisuaukkoa kohti.

► **Kuva9:** 1. Naulat 2. Liukukansi 3. Käyttöpään ohjain

3. Palauta liukukansi alkuperäiseen asentoonsa niin, että lukitusvipu lukitsee sen.

Jos haluat poistaa naulat, paina lukitusvipua ja työnnä liukukantta. Poista naulat makasiinista.

Nokkasovitin

⚠HUOMIO: Varmista aina, ettei sormesi ole liipaisimen tai käyttöpäähän päällä, sekä että akku on poistettu ennen nokkasovittimen asentamista.

Käytä nokkasovitinta, kun naulaat helposti vahingoittuvaa materiaalia. Kiinnitä nokkasovitin asettamalla se käyttöpäähän ohjaimen suojan päälle suojan päähän. Säilytä nokkasovitinta makasiinin takaosassa olevassa pidikkeessä sen katoamisen estämiseksi.

► **Kuva10:** 1. Nokkasovitin 2. Pidike

Koukku

⚠HUOMIO: Älä ripusta koukkuja vyöhösi.

Koukun vahingossa tapahtuneesta irtoamisesta johdettu naulaimen putoaminen voi aiheuttaa tahattoman laukaisemisen ja henkilövammoja.

► **Kuva11**

Työkalu voidaan kätevästi ripustaa väliaikaisesti koukkuun. Tämä voidaan asentaa kummalle puolelle työkalua tahansa.

Asenna koukku työntämällä se työkalun rungon uraan jommallekummalle puolelle ja varmista kiinnitys ruuvilla. Voit irrottaa koukun löysäämällä ja irrottamalla ruuvin.

► **Kuva12:** 1. Ura 2. Koukku 3. Ruuvi

Kuusioavaimen säilytys

Säilytä kuusioavainta kuvan osoittamassa paikassa sen katoamisen välttämiseksi.

► **Kuva13:** 1. Kuusioavain

TYÖSKENTELY

Turvajärjestelmän testaaminen

⚠VAROITUS: Varmista ennen käyttöä, että kaikki turvajärjestelmät toimivat. Muuten seurauksena voi olla henkilövamma.

► **Kuva14:** 1. Liipaisinlukkopainike 2. Liipaisinkytkin 3. Turvakytkin 4. Makasiini

Testaa turvajärjestelmä mahdollisen häiriön varalta ennen käyttöä seuraavasti.

1. Poista laitteessa olevat naulat ja pidä makasiini avattuna.
2. Asenna akku ja vapauta liipaisinlukko.
3. Vedä vain liipaisinkytkimestä koskematta materiaalia turvakytkimellä.
4. Paina turvakytkin työkaluun vasten vetämättä liipaisinkytkimestä.

Jos työkalu toimii kuten mainitaan tapauksissa 3 ja 4, turvajärjestelmä on viallinen. Lopeta työkalun käyttö ja ota yhteyttä paikalliseen huoltoedustajaan.

Naulojen naulaaminen

⚠VAROITUS: Jatka pitämällä turvakärkeä tiukasti kiinni materiaalissa, kunnes naula uppoaa täysin materiaalin sisään. Tahaton laukaiseminen voi aiheuttaa henkilövahinkoja.

1. Vapauta liipaisinlukko.
 2. Aseta turvakytkin työkaluun vasten.
 3. Laukaise naula painamalla liipaisinta.
 4. Laukaise seuraava naula vapauttamalla sormesi liipaisimelta ja toistamalla tämän jälkeen vaiheet 2 ja 3.
- **Kuva15:** 1. Liipaisin 2. Turvavipu

Voit myös laukaista nauloja vetämällä laitteen seuraavaan naulauskohtaan turvavipua materiaalia vasten painettuna ja käyttämällä sitten liipaisinta.

► **Kuva16**

Jos työkaluun laukaistun naulan kärjet pysyvät pinnan yläpuolella, laukaise naula niin, että pidät samalla nauilaimen päätä tukevasti työkaluun vasten.

► **Kuva17**

HUOMAA: Jos naula jää vieläkin työkaluun päälle vaikka pidät nauilaimen päätä työkaluun vasten, käytettävä materiaali ei ehkä sovellu nauilaimelle. Nauilaimen käyttö kyseisellä materiaalilla voi johtaa nauilaimen käyttöä vaurioihin ja/tai nauilaimen juuttumiseen.

Tyhjälaukaisun estomekanismi

⚠VAROITUS: Varmista aina, ettei sormesi ole liipaisimen tai turvavivun päällä, sekä että akku on poistettu ennen nauilaimen lataamista.

Liipaisinta ei voi enää käyttää, kun makasiini on tyhjentynyt nauilaukaisuista. Aseta tässä vaiheessa makasiiniin uusi nauilaukiska. Liipaisinta voidaan jälleen painaa.

Jäljellä olevien naulojen määrän tarkastus

Voit tarkastaa jäljellä olevien naulojen määrän tarkastussikkunan kautta.

Jäljellä olevien naulojen määrän vähenemistä voi seurata naula-aukkoa kohti liikkuvaa punaista ilmaisinta seuraamalla.

► **Kuva18:** 1. Täyhystinikkuna 2. Ilmaisin

Juuttuneiden naulojen poistaminen

⚠VAROITUS: Varmista aina, että liipaisin on vapautettu, akku on irrotettu ja naulat poistettu, ennen kuin alat poistaa juuttuneita nauloja.

⚠HUOMIO: Älä koske jumiutuneisiin nauloihin paljain käsin. Naula voi ponnahtaa ulos makasiinista ja aiheuttaa henkilövammoja.

Irrota käyttöpäähän ohjaimen suojan kuusiopultit kuusioavaimella. Poista juuttuneet naulat naulojen ohjainurasta ristipääruuvitaltalla. Kiinnitä käyttöpäähän ohjaimen kansi kuusiopulteilla.

► **Kuva19:** 1. Käyttöpäähän ohjaimen suoja 2. Kuusiopultti

HUOMAA: Kun käyttöpään ohjaimen suoja on kiinnitetty, varmista aina, että käyttöpään ohjain toimii oikein. Jos se ei toimi oikein, irrota kuusiopultit ja asenna käyttöpään ohjaimen suoja uudelleen.

KUNNOSSAPITO

▲HUOMIO: Varmista aina ennen tarkastusta tai huoltoa, että työkalu on sammutettu ja akku irrotettu.

HUOMAUTUS: Älä koskaan käytä bensiiniä, ohenteita, alkoholia tai tms. aineita. Muutoin pinta voi halkeilla tai sen värit ja muoto voivat muuttua. Muutoin laitteeseen voi tulla värjäytymiä, muodon vääristymiä tai halkeamia.

Tuotteen TURVALLISUUDEN ja LUOTETTAVUUDEN takaamiseksi korjaukset, muut huoltotyöt ja säädöt on teetettävä Makitan valtuutetussa huoltopisteessä Makitan varaosia käyttäen.

LISÄVARUSTEET

▲HUOMIO: Seuraavia lisävarusteita tai laitteita suositellaan käytettäväksi tässä ohjeessa kuvatus Makita-työkalun kanssa. Muiden lisävarusteiden tai laitteiden käyttö voi aiheuttaa henkilövahinkoja. Käytä lisävarusteita ja -laitteita vain niiden käyttötarkoituksen mukaisesti.

Jos tarvitset apua tai yksityiskohtaisempia tietoja seuraavista lisävarusteista, ota yhteys paikalliseen Makitan huoltoon.

- Naulat
- Aito Makitan akku ja laturi
- Suojalasit

HUOMAA: Jotkin luettelossa mainitut varusteet voivat sisältyä työkalun toimitukseen vakiovarusteina. Ne voivat vaihdella maittain.

SPECIFIKĀCIJAS

Modelis:	DFN350
Naglu izmērs	18 Ga x 15, 20, 25, 30, 35 mm
Naglu aptveres ietilpība	100 gab
Izmēri ar BL1860B, bez āķa (G x P x A)	257 mm x 79 mm x 228 mm
Nominālais spriegums	Līdzstrāva 18 V
Tīrsvars	2,4 kg

- Nepārtrauktās izpētes un izstrādes programmas dēļ šeit uzrādītās specifikācijas var tikt mainītas bez brīdinājuma.
- Specifikācijas un akumulatora kasetne var atšķirties dažādās valstīs.
- Svārs var būt atšķirīgs atkarībā no papildierīces(-ēm), tostarp akumulatora kasetnes. Tabulā ir attēlota vieglākā un smagākā kombinācija atbilstoši EPTA procedūrai 01/2014.

Piemērotā akumulatora kasetne

BL1815 / BL1815N / BL1820 / BL1820B / BL1830 / BL1830B / BL1840 / BL1840B / BL1850 / BL1850B / BL1860B

- Dažas no iepriekš norādītajām akumulatora kasetnēm var nebūt pieejamas atkarībā no jūsu mītnes reģiona.

▲BRĪDINĀJUMS: Izmantojiet vienīgi iepriekš norādītās akumulatora kasetnes. Cita tipa akumulatora kasetņu izmantošana var radīt traumu un/vai aizdegšanās risku.

Paredzētā lietošana

Šis darbarīks ir paredzēts mīksta koka sastiņināšanai.

Trokšņa līmenis

Tipiskais A svērtais trokšņa līmenis noteikts saskaņā ar EN60745-2-16:

Skaņas spiediena līmeni (L_{pA}): 81 dB (A)

Skaņas jaudas līmeni (L_{WA}): 92 dB (A)

Mainīgums (K): 3 dB (A)

PIEZĪME: Paziņotā trokšņa emisijas vērtība noteikta atbilstoši standarta pārbaudes metodei, un to var izmantot, lai salīdzinātu vienu darbarīku ar citu.

PIEZĪME: Paziņoto trokšņa emisijas vērtību arī var izmantot iedarbības sākotnējā novērtējumā.

▲BRĪDINĀJUMS: Lietojiet ausu aizsargus.

▲BRĪDINĀJUMS: Trokšņa emisija patiesos darba apstākļos var atšķirties no paziņotās vērtības atkarībā no darbarīka izmantošanas veida un jo īpaši atkarībā no apstrādājamā materiāla veida.

▲BRĪDINĀJUMS: Lai aizsargātu lietotāju, nosakiet drošības pasākumus, kas pamatoti ar iedarbību reālos darba apstākļos (ņemot vērā visus ekspluatācijas cikla posmus, piemēram, laiku, kamēr darbarīks ir izslēgts un kad darbojas tukšgaitā, kā arī palaides laiku).

Vibrācija

Vibrācijas kopējā vērtība noteikta atbilstoši EN60745-2-16:

Vibrācijas izmete (a_h): 2,5 m/s² vai mazāk

Mainīgums (K): 1,5 m/s²

PIEZĪME: Paziņotā kopējā vibrācijas vērtība noteikta atbilstoši standarta pārbaudes metodei, un to var izmantot, lai salīdzinātu vienu darbarīku ar citu.

PIEZĪME: Paziņoto kopējo vibrācijas vērtību arī var izmantot iedarbības sākotnējā novērtējumā.

▲BRĪDINĀJUMS: Vibrācijas emisija patiesos darba apstākļos var atšķirties no paziņotās vērtības atkarībā no darbarīka izmantošanas veida un jo īpaši atkarībā no apstrādājamā materiāla veida.

▲BRĪDINĀJUMS: Lai aizsargātu lietotāju, nosakiet drošības pasākumus, kas pamatoti ar iedarbību reālos darba apstākļos (ņemot vērā visus ekspluatācijas cikla posmus, piemēram, laiku, kamēr darbarīks ir izslēgts un kad darbojas tukšgaitā, kā arī palaides laiku).

EK atbilstības deklarācija

Tikai Eiropas valstīm

EK atbilstības deklarācija šajā lietošanas rokasgrāmatā ir iekļauta kā A pielikums.

DROŠĪBAS BRĪDINĀJUMI

Vispārīgi elektrisko darbarīku drošības brīdinājumi

▲BRĪDINĀJUMS: Izlasiet visus drošības brīdinājumus, instrukcijas, apskatiet ilustrācijas un tehniskos datus, kas iekļauti mehanizētā darbarīka komplektācijā. Ja netiek ievēroti visi tālāk minētie noteikumi, var tikt izraisīta elektrotrauma, notikt aizdegšanās un/vai rasties smagas traumas.

Glabājiet visus brīdinājumus un norādījumus, lai varētu tajos ieskatīties turpmāk.

Termins „elektrisks darbarīks” brīdinājumus attiecas uz tādu elektrisko darbarīku, ko darbina ar elektrību (ar vadu), vai tādu, ko darbina ar akumulatoru (bez vada).

Drošības brīdinājumi bezvadu tapotāja lietošanai

1. **Vienmēr uzskatiet, ka darbarīkā atrodas stiprinājumi.** Neuzmanīga apiešanās ar tapotāju var izraisīt negaidītu stiprinājumu izšaušanu un cilvēku savainojumus.
2. **Nevērsiet darbarīku pret sevi un pret citiem.** Nejauša nospiešana izšaus stiprinājumu, radot traumu.
3. **Nesielīdziet darbarīku, kamēr tas nav stingri piespiests apstrādājamam materiālam.** Ja darbarīks nesaskaras ar apstrādājamo materiālu, stiprinājums var atlēkt no mērķa.
4. **Atvienojiet darbarīku no strāvas avota, ja stiprinājums iesprūdis darbarīkā.** Iesprūduša stiprinājuma izņemšanas laikā tapotājs var tikt netīši iedarbināts, ja tas ir pievienots elektroapgādes avotam.
5. **Izņemot iesprūdušu stiprinājumu, rīkojieties piesardzīgi.** Mehānisms var būt zem spiediena, un, mēģinot atbrīvot iesprūdušu stiprinājumu, stiprinājums var tikt ar spēku izgrūsts.
6. **Neizmantojiet tapotāju elektrisko kabeļu piestiprināšanai.** Tas nav paredzēts elektrisko kabeļu uzstādīšanai un var sabojāt elektrisko kabeļu izolāciju, radot elektriskās strāvas triecienu vai aizdegšanās risku.
7. **Turiet rokas un kājas drošā attālumā no izvades atveres.**
8. **Ievērojiet norādījumus par elļošanu un piederumu maiņu.**
9. **Pirms stiprinājumu ievietošanas, regulēšanas, pārbaudes, apkopes vai pēc darba veikšanas vienmēr izņemiet akumulatora kasetni.**
10. **Pirms darba sākuma pārliecinieties, ka tuvumā nav cilvēku.** Nekad nedzeniet stiprinājumu vienlaikus gan sienas iekšpusē, gan ārpusē. Stiprinājumi var izkļūt cauri darba virsmai un/ vai izlidot, radot nopietnu apdraudējumu.
11. **Izmantojot šo darbarīku, ir svarīgi saglabāt līdzsvaru un stabilitā pamatu zem kājām.** Ja lietojat darbarīku augstumā, pārliecinieties, ka apakšā nav cilvēku.
12. **Nekad neizmantojiet stiprinājumu darbarīkus, kas markēti ar simbolu “Neizmanto uz sastatnēm, kāpnēm” šādos gadījumos:**
 - ja, pārvietojoties no vienas vietas uz citu, ir jāizmanto sastatnes, trepes, kāpnes vai kāpnēm līdzīgas konstrukcijas, piemēram, jumta lates;
 - lai noslēgtu kastes vai režģus;
 - lai ierīkotu pārvadāšanas drošības sistēmas, piemēram, transportlīdzekļos vai vagonos.

13. **Rūpīgi pārbaudiet sienas, griestus, grīdas un tamlīdzīgas vietas, lai novērstu elektrotraumu, gāzes noplūdes, sprādzienu un citu apdraudējumu iespējamību, ko var izraisīt zem sprieguma esošu vadu, cauruļvadu vai gāzes cauruļu aizķeršana ar skavu.**
14. **Izmantojiet tikai tādas stiprinājumus, kas norādīti šajā rokasgrāmatā.** Citu stiprinājumu lietošana var izraisīt darbarīka nepareizu darbību.
15. **Nekādā gadījumā nemēģiniet izjaukt darbarīku un neizmantojiet to citam nolūkam kā vien stiprinājumu iedzīšanai.**
16. **Nelietojiet darbarīku bez stiprinājumiem.** Tādējādi tiks saīsināts darbarīka darbūmūzs.
17. **Nekavējoties pārtrauciet skavu dzīšanu, ja konstatējat, ka darbarīks nedarbojas pareizi.**
18. **Nekad nedzeniet stiprinājumus materiālos, kurus stiprinājums varētu caursist un izlidot tiem cauri kā šāviņš.**
19. **Nekad vienlaicīgi nespiediet slēdža mēlīti un saskares elementu, ja neesat gatavs nostiprināt apstrādājamo materiālu.** Ļaujiet, lai saskares elements nospiežas pret materiālu. Nekad nemainiet saskares elementa paredzēto nolūku, nostiprinot to iespīestā stāvoklī vai spiežot ar roku.
20. **Nekādā gadījumā nemēģiniet izjaukt saskares elementu.** Regulāri pārbaudiet saskares elementa pareizu darbību.
21. **Kad darbarīku neizmantojat, izņemiet no tā stiprinājumus.**

SAGLABĀJIET ŠOS NORĀDĪJUMUS.

▲BRĪDINĀJUMS: NEPIELĀUJIET to, ka labu iemaņu un izstrādājuma labas pārzināšanas (darbarīku atkārtoti ekspluatējot) rezultātā vairs stingri neievērojāt šī izstrādājuma drošības noteikumus. NEPAREIZI LIETOJOT darbarīku vai neievērojot šajā instrukcijā rokasgrāmatā minētos drošības noteikumus, var tikt gūtas smagas traumas.

Svarīgi drošības norādījumi par akumulatora kasetni

1. **Pirms akumulatora lietošanas izlasiet visus norādījumus un brīdinājumus, kuri attiecas uz (1) akumulatora lādētāju, (2) akumulatoru un (3) ierīci, kurā tiek izmantots akumulators.**
2. **Neizjauciet akumulatoru.**
3. **Ja akumulatora darbības laiks kļuva ievērojami īsāks, nekavējoties pārtrauciet to izmantot.** Citādi, tas var izraisīt pārkarsējumu, uzliesmojumu vai pat sprādzienu.
4. **Ja elektrolīts nonāk acīs, izskalojiet tās ar tīru ūdens un nekavējoties griezieties pie ārsta.** Tas var izraisīt redzes zaudēšanu.
5. **Neradiet īssavienojumu akumulatora kasetnē:**
 - (1) **Nepieskarieties spīļiem ar elektrību vadošiem materiāliem.**
 - (2) **Neuzglabājiet akumulatoru kasetni kopā ar citiem metāla priekšmetiem, tādiem kā naglas, monētas u. c.**
 - (3) **Nepakļaujiet akumulatora kasetni ūdens vai lietus iedarbībai.**

Akumulatora īssavienojums var radīt spēcīgu strāvas plūsmu, pārkaršanu, uzliesmojumu un pat sabojāt akumulatoru.

6. Neglabājiet darbarīku un akumulatora kasetni vietās, kur temperatūra var sasniegt vai pārsniegt 50 °C (122 °F).
7. Nededziniet akumulatora kasetni, pat ja tā ir stipri bojāta vai pilnībā nolietota. Akumulatora kasetne ugunī var eksplodēt.
8. Uzmanieties, lai nejautu akumulatoram nokrist un nepakļautu to sītienu.
9. Neizmantojiet bojātu akumulatoru.
10. Uz izmantotajiem litija jonu akumulatoriem attiecas likumdošanas prasības par bīstamiem izstrādājumiem.
Komerציאלā transportēšanā, ko veic, piemēram, trešās puses, transporta uzņēmumi, jāievēro uz iesaiņojuma un marķējuma norādītās īpašās prasības.
Lai izstrādājumu sagatavotu nosūtīšanai, jāsaziņās ar bīstamo materiālu speciālistu. Ievērojiet arī citus attiecināmos valsts normatīvus.
Valējus kontaktus nosedziet ar līmlenti vai citādi pārklājiet, bet akumulatoru iesaiņojiet tā, lai sainītas nevarētu izkustēties.
11. Ievērojiet vietējos noteikumus par akumulatora likvidēšanu.
12. Izmantojiet šos akumulatorus tikai ar izstrādājumiem, kurus norādījis Makita. Ievietojot šos akumulatorus nesaderīgos izstrādājumos, var rasties ugunsgrēks, pārmērīgs karstums, tie var uzsprāgt vai no tiem var iztecēt elektrolīts.

SAGLABĀJIET ŠOS NORĀDĪJUMUS.

▲UZMANĪBU: Lietojiet tikai oriģinālos Makita akumulatorus. Ja lietojat neoriģinālus Makita akumulatorus vai pārveidotus akumulatorus, tie var uzsprāgt un izraisīt aizdegšanos, traumas un materiālos zaudējumus. Tiks anulēta arī Makita darbarīka un lādētāja garantija.

Ieteikumi akumulatora kalpošanas laika pagarināšanai

1. Uzlādējiet akumulatora kasetni, pirms tā ir pilnībā izlādējusies. Vienmēr, kad ievērojāt, ka darbarīka darba jauda zudusi, apturiet darbarīku un uzlādējiet akumulatora kasetni.
2. Nekad neuzlādējiet pilnībā uzlādētu akumulatora kasetni. Pārmērīga uzlāde saīsina akumulatora kalpošanas laiku.
3. Uzlādējiet akumulatora kasetni istabas temperatūrā 10 °C - 40 °C. Karstai akumulatora kasetnei pirms uzlādes ļaujiet atdzist.
4. Uzlādējiet litija jonu akumulatora kasetni, ja to ilgstoši nelietosit (vairāk nekā sešus mēnešus).

FUNKCIJU APRAKSTS

▲UZMANĪBU: Pirms darbarīka regulēšanas vai tā darbības pārbaudes vienmēr pārliecinieties, ka darbarīks ir izslēgts un akumulatora kasetne ir izņemta.

Akumulatora kasetnes uzstādīšana un izņemšana

▲UZMANĪBU: Vienmēr pirms akumulatora kasetnes uzstādīšanas vai noņemšanas izslēdziet darbarīku.

▲UZMANĪBU: Uzstādot vai izņemot akumulatora kasetni, darbarīku un akumulatora kasetni turiet cieši. Ja darbarīku un akumulatora kasetni netur cieši, tie var izkrist no rokām un radīt bojājumus darbarīkam un akumulatora kasetnei, kā arī izraisīt ievainojumus.

- **Att. 1:** 1. Sarkanās krāsas indikators 2. Poga 3. Akumulatora kasetne

Lai izņemtu akumulatora kasetni, izvelciet to no darbarīka, pārbīdot kasetnes priekšpusē esošo pogu.

Lai uzstādītu akumulatora kasetni, salāgojiet mēlīti uz akumulatora kasetnes ar rievu ietvarā un iebīdīet to vietā. Ievietojiet to līdz galam, līdz tā ar klikšķi nokļūst vietā. Ja poga augšējā daļā redzams sarkanais krāsas indikators, tas nozīmē, ka tā nav pilnīgi fiksēta.

▲UZMANĪBU: Vienmēr ievietojiet akumulatora kasetni tā, lai sarkanais indikators nebūtu redzams. Pretējā gadījumā tā var nejauši izkrist no darbarīka un izraisīt jums vai apkārtējiem traumas.

▲UZMANĪBU: Neievietojiet akumulatora kasetni ar spēku. Ja kasetne neslīd ietvarā viegli, tā nav pareizi ielikta.

Darbarīka/akumulatora aizsardzības sistēma

Darbarīkam ir darbarīka/akumulatora aizsardzības sistēma. Šī sistēma automātiski izslēdz strāvas padevi motoram, lai pagarinātu darbarīka un akumulatora darbmūžu. Lietošanas laikā darbarīks automātiski pārstās darboties, ja darbarīku vai akumulatoru pakļaus kādam no šādiem apstākļiem.

Aizsardzība pret pārslodzi

Ja darbarīku/akumulatoru lieto tā, ka tas patērē pārmērīgi lielu strāvas daudzumu, darbarīks automātiski, bez iepriekšēja brīdinājuma pārstāj darboties. Šādā gadījumā izslēdziet darbarīku un pārtrauciet darbību, kas izraisīja darbarīka pārslodzi. Tad ieslēdziet darbarīku, lai atsāktu darbu.

Aizsardzība pret pārkaršanu

Kad akumulators ir pārkaršis, darbarīks automātiski pārstāj darboties. Šādā gadījumā ļaujiet darbarīkam/akumulatoram atdzist pirms vēlreiz to ieslēgt.

Aizsardzība pret akumulatora pārmērīgu izlādi










Ja akumulatora jaudas līmenis ir zems, darbarīks automātiski pārstāj darboties. Šajā gadījumā ļaujiet akumulatoru izņemt no darbarīka un uzlādējiet.

Atlikušās akumulatora jaudas indikators

Tikai akumulatora kasetnēm ar indikatoru

► **Att.2:** 1. Indikatora lampas 2. Pārbaudes poga

Nospiediet akumulatora kasetnes pārbaudes pogu, lai pārbaudītu akumulatora atlikušo uzlādes līmeni. Indikatoru iedegsies uz dažām sekundēm.

Indikatora lampas			Atlikusī jauda
			
ledzies	Izslēgts	Mirgo	
			No 75% līdz 100%
			No 50% līdz 75%
			No 25% līdz 50%
			No 0% līdz 25%
			Uzlādējiet akumulatoru.
			Iespējama akumulatora kļūme.

PIEZĪME: Reālā jauda var nedaudz atšķirties no norādītās atkarībā no lietošanas apstākļiem un apkārtējās temperatūras.

Mēlītes bloķēšanas poga

▲UZMANĪBU: Pirms akumulatora kasetnes uzstādīšanas darbarīkā vienmēr pārbaudiet, vai slēdža mēlīte darbojas pareizi un pēc atlaišanas atgriežas stāvoklī „OFF” (izslēgts).

▲UZMANĪBU: Ja darbarīku neizmantojat, vienmēr nospiediet mēlītes bloķēšanas pogu B pusē, lai bloķētu slēdža mēlīti stāvoklī OFF (izslēgts).

► **Att.3:** 1. Mēlītes bloķēšanas poga 2. Slēdža mēlīte

► **Att.4**

Lai nepieļautu slēdža mēlītes nejaušu nospiešanu, darbarīkam ir mēlītes bloķēšanas poga.

Lai nospiestu slēdža mēlīti, nospiediet mēlītes bloķēšanas pogu A pusē.

Pēc lietošanas, vienmēr iespiediet mēlītes bloķēšanas pogu no B puses.

Naglošanas dziļuma regulēšana

▲BRĪDINĀJUMS: Vienmēr pirms tapošanas dziļuma regulēšanas pārliecinieties, ka jūsu pirksti neatrodas uz slēdža mēlītes vai saskares elementa un akumulatora kasetne ir izņemta.

Šim naglotājam var regulēt naglošanas dziļumu. Lai regulētu naglošanas dziļumu, pagrieziet regulētāju. Maksimālais naglošanas dziļums ir uzstādīts, kad regulētājs ir līdz galam pagriezts A virzienā, kā parādīts attēlā. Dziļums samazinās, regulētāju pagriežot B virzienā. Dziļumu var regulēt līdz maksimums 2,5 mm.

► **Att.5:** 1. Regulētājs

► **Att.6:** 1. Pārāk dziļi 2. Līmenī ar virsmu 3. Pārāk sekli

Lampas ieslēgšana

▲UZMANĪBU: Neskatieties gaismā, neļaujiet tās avotam iespīdēt acīs.

Nospiediet slēdža mēlīti vai iedarbiniet saskares elementu, lai ieslēgtu lampu. Kamēr slēdža mēlīte nospiesta vai saskares elements iedarbināts, lampa deg. Apmēram 10 sekundes pēc slēdža mēlītes atlaišanas un saskares elementa izslēgšanas lampa nodziest.

► **Att.7:** 1. Lampa

PIEZĪME: Ar sausu lupatiņu notīriet netīrumus no lampas lēcas. Izvairieties saskrāpēt lampas lēcu, jo tādējādi tiek samazināts apgaismojums.

PIEZĪME: Arī tad, ja lampa iedegas, kad akumulatora uzlādes līmenis ir zems, naglotājs var neizšaut naglas. Šādā gadījumā uzlādējiet akumulatora kasetni.

PIEZĪME: Ja naglotājs naglas dzīšanas laikā konstatē kļūdu, lampa sāk mirgot. Šādā gadījumā nogādājiet naglotāju rūpnīcas apkopes centrā.

MONTĀŽA

▲UZMANĪBU: Pirms jebkādu darbību veikšanas ar naglotāju pārliecinieties, ka jūsu pirksti neatrodas uz slēdža mēlītes vai ka kontaktelemta un akumulatora kasetne ir izņemta.

Naglu ievietošana vai izņemšana

▲UZMANĪBU: Pirms naglu ievietošanas vienmēr pārliecinieties, ka jūsu pirksti neatrodas uz mēlītes un ka akumulatora kasetne ir izņemta.

▲UZMANĪBU: Strauji nevirziet naglotāja bīdāmo vāku, kad tajā iepildītas naglas. Nejauši krītošas naglas, jo sevišķi strādājot augstu esošās vietās, var izraisīt traumas.

▲UZMANĪBU: Ievietojiet naglas pareizajā virzienā. Ievietošana nepareizā virzienā var izraisīt uzgaļa pārgruru nolietošanos un citu detaļu bojājumus.

▲UZMANĪBU: Nelietojiet deformētas naglu lentes. Izmantojiet šajā rokasgrāmatā norādītas naglas. Šajā rokasgrāmatā nenorādītu naglu izmantošana var izraisīt naglu iestrēgšanu un naglotāja bojājumus.

1. Nospiediet fiksēšanas sviru un atveriet aptveres bīdāmo vāku.

► **Att.8:** 1. Fiksēšanas svira 2. Bīdāmais vāks 3. Dzīšanas vadotne 4. Aptvere

2. Novietojiet naglu lenti tā, lai naglu gali pieskaras aptveres spraugas apakšdaļai, un pārvirziet naglu lenti izšausanas atveres virzienā.

► **Att.9:** 1. Naglas 2. Bīdāmais vāks 3. Dzīšanas vadotne

3. Virziet bīdāmo vāku sākotnējās pozīcijas virzienā, līdz to nofiksē fiksēšana svira.

Lai izņemtu naglas, nospiediet fiksēšanas sviru un pārvirziet bīdāmo vāku. Izņemiet naglas no aptveres.

Uzgaļa pāreja

⚠UZMANĪBU: Vienmēr pirms uzgaļa pārejas uzstādīšanas pārliecinieties, ka jūsu pirksti neatrodas uz slēdža mēlītes vai saskares elementa un akumulatora kasetne ir izņemta.

Kad izšaujiet naglas uz viegli bojājamu virsmu, izmantojiet uzgaļa pāreju. Lai piestiprinātu uzgaļa pāreju, līdz galam uzlieciet to uz dzīšanas vadotnes.

Kad uzgaļa pāreja netiek izmantota, glabājiet to turētājā, kas atrodas aptveres galā, lai tā nepazustu.

► **Att.10:** 1. Uzgaļa pāreja 2. Turētājs

Āķis

⚠UZMANĪBU: Nekariniet āķi aiz jostas. Ja āķis nejauši atvienojas un naglotājs nokrīt, naglas var nejauši izšauties un izraisīt traumas.

► **Att.11**

Āķis ir noderīgs darbarīka īslaicīgai uzkarināšanai. To var uzstādīt jebkurā darbarīka pusē.

Lai uzstādītu āķi, ievietojiet to rievā jebkurā darbarīka korpusa pusē, un tad ar skrūvi pieskrūvējiet. Lai to izņemtu, atlaidiet skrūvi un izņemiet.

► **Att.12:** 1. Rieva 2. Āķis 3. Skrūve

Sešstūru uzgriežņu atslēgas glabāšana

Kad sešstūru uzgriežņu atslēga netiek lietota, glabājiet to, kā parādīts, lai atslēgu nepazaudētu.

► **Att.13:** 1. Sešstūru uzgriežņu atslēga

EKSPLUATĀCIJA

Drošības sistēmas pārbaude

⚠BRĪDINĀJUMS: Pirms darba sākšanas pārliecinieties, ka visas drošības sistēmas ir darba kārtībā. Pretējā gadījumā var rasties trauma.

► **Att.14:** 1. Mēlītes bloķēšanas poga 2. Slēdža mēlīte 3. Sankares elements 4. Aptvere

Pirms darba pārbaudiet, vai drošības sistēmās nav radušās kļūmes, izpildot šos norādījumus.

1. Izņemiet naglas no darbarīka un atstājiet aptveri atvērtu.
2. Ievietojiet akumulatora kasetni un atbrīvojiet mēlītes bloķēšanas ierīci.
3. Piespiediet slēdža mēlīti, saskares elementam nepieskaroties materiālam.
4. Pieskarieties ar saskares elementu materiālam, nenospiežot slēdža mēlīti.

Ja darbarīks darbojas gadījumos, kas minēti 3. un 4. punktā, drošības sistēmās ir kļūmes. Nekavējoties pārtrauciet darbarīka lietošanu un sazinieties ar vietējo klientu apkalpošanas centru.

Naglu dzīšana

⚠BRĪDINĀJUMS: Turiet kontaktelementu cieši uz materiāla, līdz nagla ir pilnībā iedzīta. Nejauša izšaušana var izraisīt traumas.

1. Atbrīvojiet mēlītes bloķēšanas ierīci.
2. Novietojiet saskares elementu uz apstrādājamā materiāla.
3. Pilnībā nospiediet slēdža mēlīti, lai iedzītu naglu.
4. Lai iedzītu nākamo naglu, atlaidiet slēdža mēlīti un atkārtojiet iepriekš aprakstīto 2. un 3. darbību.

► **Att.15:** 1. Slēdža mēlīte 2. Sankares elements

Naglas var dzīt arī šādi: turiet saskares elementu piespiestu pie materiāla, velciet darbarīku līdz nākamajai iedzīšanai vieta un tad nospiediet slēdža mēlīti.

► **Att.16**

Ja iedzītas naglas galva paliek virs apstrādājamā materiāla virsmas, iedzeniet naglu, stingri turot naglotāja galvu piespiestu pie apstrādājamā materiāla.

► **Att.17**

PIEZĪME: Ja naglas galva joprojām atrodas virs apstrādājamā materiāla virsmas, kaut arī stingri turējāt naglotāja galvu, iespējams, materiāls nav piemērots izmantošanai ar naglotāju. Ja turpināsiet izmantot naglotāju šāda materiāla apstrādei, var tikt bojāts naglotāja uzgalis un/vai var iestrēgt naglas.

Mehānisms, kas novērš lietošanu, kad beigušās skavas

⚠BRĪDINĀJUMS: Pirms naglu ievietošanas naglotājā vienmēr pārliecinieties, ka jūsu pirksti neatrodas uz slēdža mēlītes vai ka kontaktelementa un akumulatora kasetne ir izņemta.

Kad visas aptverē esošās naglu lentes ir tukšas, slēdža mēlīti vairs nevar nospiegt. Šādā gadījumā ievietojiet aptverē jaunu naglu lenti. Pēc tam slēdža mēlīti atkal varēs nospiegt.

Atlikušo naglu daudzuma pārbaude

Atlikušo naglu daudzumu var apskatīt skata lodziņā. Jo tuvāk sarkanās krāsas indikators pietuvojas izšaušanas atverei, jo mazāk naglu ir palicis.

► **Att.18:** 1. Skata lodziņš 2. Indikators

Iestrēgušu naglu izņemšana

⚠BRĪDINĀJUMS: Pirms iestrēgušu naglu izņemšanas vienmēr pārliecinieties, ka mēlīte ir atlaista un ka akumulatora kasetne un naglas ir izņemtas.

⚠UZMANĪBU: Neizņemiet iestrēgušas naglas ar kailām rokām. Nagla var izšauties no aptveres un radīt traumas.

Ar sešstūra atslēgu izskrūvējiet sešstūra bultskrūves no dzišanas vadotnes pārsega.

Izņemiet iestrēgušās naglas no naglu vadotnes rievās, izmantojot plakangala skrūvgriezi.

Piestipriniet dzišanas vadotnes pārsegu ar sešstūra bultskrūvēm.

- **Att.19:** 1. Iedzišanas mehānisma vadotnes pārsegs
2. Sešstūra bultskrūve

PIEZĪME: Pēc dzišanas vadotnes pārsega uzstādīšanas vienmēr pārlicinieties, vai tas darbojas pareizi. Ja tas nedarbojas pareizi, izskrūvējiet sešstūra bultskrūves un uzstādiet dzišanas vadotnes pārsegu vēlreiz.

APKOPE

⚠UZMANĪBU: Pirms darbarīka pārbaudes vai apkopes vienmēr pārlicinieties, ka darbarīks ir izslēgts un akumulatora kasetne ir izņemta.

IEVĒRĪBA! Nekad neizmantojiet gazolīnu, benzīnu, atšķaidītāju, spirtu vai līdzīgus šķidrumus. Tas var radīt izbalēšanu, deformāciju vai plaisas.

Lai saglabātu izstrādājuma DROŠU un UZTICAMU darbību, remontdarbus, apkopi un regulēšanu uzticiet veikt tikai Makita pilnvarotam vai rūpnīcas apkopes centram, un vienmēr izmantojiet tikai Makita rezerves daļas.

PAPILDU PIEDERUMI

⚠UZMANĪBU: Šādi piederumi un papildierīces tiek ieteiktas lietošanai ar šajā rokasgrāmatā aprakstīto Makita darbarīku. Izmantojot citus piederumus vai papildierīces, var tikt radīta traumu gūšanas bīstamība. Piederumu vai papildierīci izmantojiet tikai paredzētajam mērķim.

Ja jums vajadzīga palīdzība vai precīzāka informācija par šiem piederumiem, vērsieties savā tuvākajā Makita apkopes centrā.

- Naglas
- Makita oriģinālais akumulators un lādētājs
- Aizsargbrilles

PIEZĪME: Daži sarakstā norādītie izstrādājumi var būt iekļauti instrumenta komplektācijā kā standarta piederumi. Tie dažādās valstīs var būt atšķirīgi.

SPECIFIKACIJOS

Modelis:	DFN350
Vinies dydis	18Ga x 15, 20, 25, 30, 35 mm
Vinių dėtuvių talpa	100 vnt.
Matmenys su BL1860B, be kablo (l x P x A)	257 mm x 79 mm x 228 mm
Vardinė įtampa	Nuol. sr. 18 V
Grynasis svoris	2,4 kg

- Atlikame tęsinius tyrimus ir nuolat tobuliname savo gaminius, todėl čia pateikiamos specifikacijos gali būti keičiamos be įspėjimo.
- Įvairiose šalyse specifikacijos ir akumuliatoriaus kasetė gali skirtis.
- Svoris gali priklausyti nuo priedo (-ų), įskaitant akumuliatoriaus kasetę. Lengviausias ir sunkiausias deriniai pagal EPTA 2014 m. sausio mėn. procedūrą yra parodyti lentelėje.

Tinkama akumuliatoriaus kasetė

BL1815 / BL1815N / BL1820 / BL1820B / BL1830 / BL1830B / BL1840 / BL1840B / BL1850 / BL1850B / BL1860B

- Atsižvelgiant į gyvenamosios vietos regioną, kai kurios pirmiau nurodytos akumuliatoriaus kasetės gali būti neprieinamos.

⚠️ ĮSPĖJIMAS: Naudokite tik akumuliatoriaus kasetes, kurios nurodytos anksčiau. Naudojant bet kurias kitas akumuliatoriaus kasetes, gali kilti sužeidimo ir gaisro pavojus.

Numatytoji naudojimo paskirtis

Šis įrankis skirtas minkštai medienai tvirtinti.

Triukšmas

Įprastas triukšmo A lygis, nustatytas pagal EN60745-2-16:

Garso slėgio lygis (L_{pA}): 81 dB (A)

Garso galios lygis (L_{WA}): 92 dB (A)

Paklaida (K): 3 dB (A)

PASTABA: Paskelbta (-os) triukšmo reikšmė (-ės) nustatyta (-os) pagal standartinį testavimo metodą ir jį galima naudoti vienam įrankiui palyginti su kitu.

PASTABA: Paskelbta (-os) triukšmo reikšmė (-ės) taip pat gali būti naudojama (-os) norint preliminariai įvertinti triukšmo poveikį.

⚠️ ĮSPĖJIMAS: Dėvėkite ausų apsaugą.

⚠️ ĮSPĖJIMAS: Faktiškai naudojant elektrinį įrankį, keliamo triukšmo dydis gali skirtis nuo paskelbtos (-ų) reikšmės (-ių), priklausomai nuo būdų, kuriais yra naudojamas šis įrankis, ir ypač nuo to, kokio tipo ruošinys apdirbamas.

⚠️ ĮSPĖJIMAS: Siekiami apsaugoti operatorių, būtinai įvertinkite saugos priemones, remdamiesi vibracijos poveikio įvertinimu esant faktinėms naudojimo sąlygoms (atsižvelgdami į visas darbo ciklo dalis, pavyzdžiui, ne tik kiek laiko įrankis veikia, bet ir kiek kartų jis yra išjungiamas bei kai jis veikia be apkravų).

Vibracija

Bendras vibracijos dydis, nustatytas pagal EN60745-2-16:

Vibracijos emisija (a_{hV}): 2,5 m/s² arba mažiau

Paklaida (K): 1,5 m/s²

PASTABA: Paskelbta (-os) vibracijos bendroji (-osios) reikšmė (-ės) nustatyta (-os) pagal standartinį testavimo metodą ir jį galima naudoti vienam įrankiui palyginti su kitu.

PASTABA: Paskelbta (-os) vibracijos bendroji (-osios) reikšmė (-ės) taip pat gali būti naudojama (-os) norint preliminariai įvertinti vibracijos poveikį.

⚠️ ĮSPĖJIMAS: Faktiškai naudojant elektrinį įrankį, keliamos vibracijos dydis gali skirtis nuo paskelbtos (-ų) reikšmės (-ių), priklausomai nuo būdų, kuriais yra naudojamas šis įrankis, ir ypač nuo to, kokio tipo ruošinys apdirbamas.

⚠️ ĮSPĖJIMAS: Siekiami apsaugoti operatorių, būtinai įvertinkite saugos priemones, remdamiesi vibracijos poveikio įvertinimu esant faktinėms naudojimo sąlygoms (atsižvelgdami į visas darbo ciklo dalis, pavyzdžiui, ne tik kiek laiko įrankis veikia, bet ir kiek kartų jis yra išjungiamas bei kai jis veikia be apkravų).

EB atitikties deklaracija

Tik Europos šalims

EB atitikties deklaracija yra pridedama kaip šio instrukcijų vadovo A priedas.

SAUGOS ĮSPĖJIMAI

Bendrieji įspėjimai dirbant elektriniais įrankiais

▲ ĮSPĖJIMAS: Perskaitykite visus saugos įspėjimus, instrukcijas, iliustracijas ir techninius duomenis, pateiktus kartu su šiuo elektriniu įrankiu. Nesilaikant visų toliau išvardytų instrukcijų galima patirti elektros smūgį, gali kilti gaisras ir (arba) galima sunkiai susižaloti.

Išsaugokite visus įspėjimus ir instrukcijas, kad galėtumėte jas peržiūrėti ateityje.

Terminas „elektrinis įrankis“ pateiktuose įspėjimuose reiškia į maitinimo tinklą jungiamą (laidinį) elektrinį įrankį arba akumulatoriaus maitinamą (belaidį) elektrinį įrankį.

Saugos įspėjimai dėl belaidžio kaltuvo naudojimo

1. **Elkitės taip, tarsi įrankyje visada būtų tvirtinimo elementų.** Neatsargus darbas su kaltuvu gali baigtis netikėtu segtukų iššovimu ir kūno sužalojimais.
2. **Nenukreipkite įrankio į save ar kitus šalia esančius žmones.** Netikėtai paspaudus gaiduką, bus iššautas tvirtinimo elementas, o tai gali sukelti sužalojimą.
3. **Įrankį įjunkite tik tada, kai jis gerai prispaustas prie ruošinio.** Jei įrankis neličia ruošinio, tvirtinimo elementas gali nukrypti nuo taikinio.
4. **Atjunkite įrankį nuo maitinimo šaltinio, jei jame įstrigo tvirtinimo elementų.** Jei paliksite kaltuvą įjungtą, išimant įstrigusį segtuką, kaltuvas gali netikėtai iššauti.
5. **Išimdami įstrigusį tvirtinimo elementą, būkite labai atsargūs.** Mechanizmą gali veikti slėgis, o mėginant išimti įstrigusį tvirtinimo elementą, jis gali būti iššautas didele jėga.
6. **Nenaudokite šio kaltuvo elektros kabeliams tvirtinti.** Jis neskirtas elektros kabeliams montuoti ir gali pažeisti elektros kabelių izoliaciją, todėl kelia elektros smūgio arba gaisro pavojų.
7. **Rankas ir kojas laikykite kuo toliau nuo išstūmimo angos vietos.**
8. **Laikykites instrukcijoje pateiktų nurodymų dėl tepimo ir priedų keitimo.**
9. **Prieš dėdami tvirtinimo elementus, reguliuodami, tikrinami ar prižiūradami, taip pat baigę darbą, būtinai išimkite akumulatoriaus kasetę.**
10. **Prieš dirbdami, įsitinkinkite, ar šalia nėra pašalinių asmenų.** Jokių būdu nemėginkite vienu metu kalti tvirtinimo elementus ir iš vidinės, ir iš išorinės sienos pusių. Tvirtinimo elementai gali perlsti kiaurai ir (arba) išlėkti, sukeldami didelį pavojų.
11. **Dirbdami įrankiu, atkreipkite dėmesį į savo stovėseną ir pusiausvyrą.** Jei naudojate įrankį aukštai, įsitinkinkite, ar apačioje nėra žmonių.

12. **Jei ant tvirtinimo elementų įskirimo įrankio yra simbolis „Nenaudokite ant pastolių, kopėčių“, nenaudokite jo tokiose vietose, pvz.:**
 - jei, pereinant iš vienos darbo vietos į kitą, reikia naudotis pastoliais, laipteliais, kopėčiomis arba panašiomis konstrukcijomis, pvz., stogo grebėtais;
 - dėžėms uždaryti;
 - transportavimo saugos sistemoms tvirtinti, pvz., transporto priemonėse ar vagonuose.
13. **Kruopščiai patikrinkite sienas, lubas, grindis, stogo dangą ir pan., kad išvengtumėte galimo elektros smūgio, dujų nuotėkio, sprogo ir pan., kuriuos gali sukelti kabių įkalimas į veikiančius laidus, kanalus ar dujų vamzdžius.**
14. **Naudokite tik šioje instrukcijoje nurodytus tvirtinimo elementus.** Naudojant kitus tvirtinimo elementus, įrankis gali sugesti.
15. **Nekeiskite įrankio ir naudokite jį tik kabėms kalti.**
16. **Nenaudokite įrankio, kai jame nėra kabių.** Tai sutrumpina įrankio eksploatavimo laiką.
17. **Pastebėję įrankyje ką nors blogo ar neįprasto, tučtuojau nutraukite darbą.**
18. **Nekalkite į medžiagas, kurias kabės gali pradurti kiaurai ir pralėkti kaip šoviniai.**
19. **Jokiu būdu nejunkite gaiduko ir kontaktinio elemento vienu metu, kol nesate pasirengę kalti segtukų į ruošinius.** Kontaktinį elementą turi nuspausti ruošinys. Nekeiskite jo paskirties, užfiksuodami kontaktinį elementą į galinę padėtį arba nuspausdami jį ranka.
20. **Nekeiskite kontaktinio elemento.** Dažnai tikrinkite, ar kontaktinis elementas veikia tinkamai.
21. **Visada išimkite segtukus iš įrankio, jeigu jo nenaudojate.**

SAUGOKITE ŠIAS INSTRUKCIJAS.

▲ ĮSPĖJIMAS: NELEISKITE, kad patogumas ir gaminio pažinimas (įgyjamas pakartotinai naudojant) susilpnintų griežtą saugos taisyklių, taikytinų šiam gaminiui, laikymąsi. Dėl NETINKAMO NAUDOJIMO arba saugos taisyklių, kurios pateiktos šioje instrukcijoje, nesilaikymo galima rimtai susižeisti.

Svarbios saugos instrukcijos, taikomos akumulatoriaus kasetei

1. **Prieš naudodami akumulatoriaus kasetę, perskaitykite visas instrukcijas ir perspėjimus ant (1) akumuliatorių įkroviklio, (2) akumuliatorių ir (3) akumuliatorių naudojančio gaminio.**
2. **Neardykite akumulatoriaus kasetės.**
3. **Jei įrankio darbo laikas žymiai sutrumpėjo, nedelsdami nutraukite darbą su įrankiu.** Tai gali kelti perkaitimo, nudegimų ar net sprogo pavojų.
4. **Jei elektrolitas pateko į akis, plaukites gas tyru vandeniu ir nedelsdami kreipkitės į gydytoją.** Gali kilti regėjimo praradimo pavojus.

5. **Neužtrumpinkite akumulatoriaus kasetės:**
 - (1) Nelieskite kontaktų degiomis medžiagomis.
 - (2) Venkite laikyti akumulatoriaus kasetę kartu su kitais metaliniais daiktais, pavyzdžiui, vinimis, monetomis ir pan.
 - (3) Saugokite akumulatoriaus kasetę nuo vandens ir lietaus.

Trumpasis jungimas akumulatoriuje gali sukelti stiprią srovę, perkaitimą, galimus nudegimus ar net akumulatoriaus gedimą.

6. Nelaikykite įrankio ir akumulatoriaus kasetės vietose, kur temperatūra gali pasiekti ar viršyti 50 °C.
7. Nedeginkite akumulatoriaus kasetės, net jei yra stipriai pažeista ar visiškai susidėvėjusi. Ugnyje akumulatoriaus kasetė gali sprogti.
8. Saugokite akumuliatorių nuo kritimo ir smūgių.
9. Nenaudokite pažeisto akumulatoriaus.
10. Įdėtoms ličio jonų akumuliatoriams taikomi Pavojingų prekių teisės akto reikalavimai. Komeracinis transportas, pvz., trečiųjų šalių, prekių vežimo atstovų, turi laikytis specialaus reikalavimo ant pakuotės ir ženklavimo. Norėdami paruošti siųstiną prekę, pasitarkite su pavojingų medžiagų specialistu. Be to, laikykitės galimai išsamesnių nacionalinių reglamentų. Užklijuokite juosta arba padenkite atvirus kontaktus ir spapuokite akumuliatorių taip, kad ji pakuotėje nejudėtų.
11. Vadovaukitės vietos įstatymais dėl akumuliatorių išmetimo.
12. Baterijas naudokite tik su „Makita“ nurodytais gaminiais. Baterijas įdėjus į netinkamus gaminius gali kilti gaisras, gaminyje pernelyg kaisti, kilti sprogimas arba pratekėti elektrolitas.

SAUGOKITE ŠIAS INSTRUKCIJAS.

⚠️ PERSPĖJIMAS: Naudokite tik originalų „Makita“ akumuliatorių. Neoriginalaus „Makita“ arba pakeisto akumulatoriaus naudojimas gali nulemti gaisrą, asmens sužalojimą ir pažeidimą. Tai taip pat panaikina „Makita“ suteikiamą „Makita“ įrankio ir įkroviklio garantiją.

Patarimai, ką daryti, kad akumulatorius veiktų kuo ilgiau

1. Pakraukite akumulatoriaus kasetę prieš jai visiškai išsikraunant. Visuomet nustokite naudoti įrankį ir pakraukite akumulatoriaus kasetę, kai pastebite, kad įrankio galia sumažėjo.
2. Niekada nekraukite iki galo įkrautos akumulatoriaus kasetės. Perkraunant trumpėja akumulatoriaus eksploatacijos laikas.
3. Akumulatoriaus kasetę kraukite esant kambario temperatūrai 10 - 40 °C. Prieš pradėdami krauti, leiskite įkaitusiai akumulatoriaus kasetei atvėsti.
4. Įkraukite akumulatoriaus kasetę, jei jos nenaudojate ilgą laiką (ilgiau nei šešis mėnesius).

VEIKIMO APRAŠYMAS

⚠️ PERSPĖJIMAS: Prieš pradėdami reguliuoti arba tikrinti įrankio veikimą, visuomet būtinai išjunkite įrankį ir išimkite akumulatoriaus kasetę.

Akumulatoriaus kasetės uždėjimas ir nuėmimas

⚠️ PERSPĖJIMAS: Prieš įdėdami arba išimdami akumulatoriaus kasetę, visada išjunkite įrankį.

⚠️ PERSPĖJIMAS: Įdėdami arba išimdami akumulatoriaus kasetę, tvirtai laikykite įrankį ir akumulatoriaus kasetę. Jeigu įrankį ir akumulatoriaus kasetę laikysite netvirtai, jie gali išslisti iš jūsų rankų, todėl įrankis ir akumulatoriaus kasetė gali būti sugadinti, o naudotojas sužalotas.

- **Pav.1:** 1. Raudonas indikatorius 2. Mygtukas 3. Akumulatoriaus kasetė

Jei norite išimti akumulatoriaus kasetę, ištraukite ją iš įrankio, stumdami mygtuką, esantį kasetės priekyje.

Jei norite įdėti akumulatoriaus kasetę, sulygiuokite liežuvelį ant akumulatoriaus kasetės su grioveliu korpuso ir įstumkite jį į skirtą vietą. Įdėkite iki galo, kol spragtelėdama užsifiksuos. Jeigu matote raudoną indikatorius viršutinėje mygtuko pusėje, ji nėra visiškai užfiksuota.

⚠️ PERSPĖJIMAS: Akumulatoriaus kasetę visada įkiškite iki galo, kol nebeatysite raudono indikatoriaus. Priešingu atveju ji gali atsitiktinai iškristi iš įrankio, sužeisti jus arba aplinkinius.

⚠️ PERSPĖJIMAS: Nekiškite akumulatoriaus kasetės jėga. Jeigu kasetė sunkiai lenda, ją kiškite netinkamai.

Įrankio / akumulatoriaus apsaugos sistema

Įrankyje įrengta įrankio / akumulatoriaus apsaugos sistema. Ši sistema automatiškai atjungia variklio maitinimą, kad įrankis ir akumulatorius ilgiau veiktų. Įrankis automatiškai išsijungs darbo metu esant vienai iš toliau nurodytų įrankio arba akumulatoriaus darbo sąlygų:

Apsauga nuo perkrovos

Kai įrankis / akumulatorius naudojamas taip, kad neįprastai padidėja elektros srovė, įrankis automatiškai išsijungia be jokių indikatorius įspėjimų. Tokiu atveju atleiskite įrankio gaiduką ir nutraukite darbą, dėl kurio kilo įrankio perkrova. Po to vėl įjunkite įrankį.

Apsauga nuo perkaitimo

Kai įrankis / akumulatorius perkaista, įrankis automatiškai išsijungia. Esant šiai situacijai, leiskite įrankiui / akumulatoriui atvėsti, prieš vėl jį jungdami.

Apsauga nuo visiško išsekvojimo

Kai akumulatoriaus įkrovos lygis nepakankamas, įrankis automatiškai išsijungia. Tokiu atveju ištraukite akumuliatorių iš įrankio ir įkraukite jį.

Likusios akumulatoriaus galios rodymas

Tik akumulatoriaus kasetėms su indikatoriumi

► **Pav.2:** 1. Indikatorių lemputės 2. Tikrinimo mygtukas

Paspauskite akumulatoriaus kasetės tikrinimo mygtuką, kad būtų rodoma likusi akumulatoriaus energija. Maždaug trims sekundėms užsidegs indikatorių lemputės.

Indikatorių lemputės			Likusi galia
Šviečia	Nešviečia	Blyksi	
			75 - 100 %
			50 - 75 %
			25 - 50 %
			0 - 25 %
			Įkraukite akumulatorių.
			Galimai įvyko akumulatoriaus veikimo triktis. ↑ ↓

PASTABA: Rodmuo gali šiek tiek skirtis nuo faktinės energijos lygio – tai priklauso nuo naudojimo sąlygų ir aplinkos temperatūros.

Gaiduko fiksavimo mygtukas

▲PERSPĖJIMAS: Prieš montuodami akumulatoriaus kasetę įrankyje, visuomet patikrinkite, ar gaidukas tinkamai veikia ir atleistas grįžta į išjungimo padėtį „OFF“.

▲PERSPĖJIMAS: Kai įrankiu nedirbate, nuspauskite gaiduko fiksavimo mygtuką iš „B“ pusės, kad gaidukas užsifiksuotų į IŠJUNGIMO (OFF) padėtį.

► **Pav.3:** 1. Gaiduko fiksavimo mygtukas 2. Gaidukas

► **Pav.4**

Norint, kad gaidukas nebūtų atsitiktinai nuspaustas, įrengtas gaiduko fiksavimo mygtukas.

Norėdami patraukti gaiduką, „A“ pusėje nuspauskite gaiduko fiksavimo mygtuką.

Pabaigę darbą, visada nuspauskite gaiduko fiksavimo mygtuką iš „B“ pusės.

Vinių kalimo gylio reguliavimas

▲ISPĖJIMAS: Prieš reguliuodami vinių kalimo gylių, būtina įsitikinkite, kad nelaikote pirštų ant gaiduko ar kontaktinio elemento, o akumulatoriaus kasetė išimta.

Šiame vinių kalimo įrankyje galima reguliuoti vinių kalimo gylių. Norėdami reguliuoti vinių kalimo gylių, sukite reguliatorių. Vinių kalimo gylis yra didžiausias, kai reguliatorius iki galo pasukamas A kryptimi, kaip parodyta paveikslėlyje. Jis bus mažesnis, reguliatorių sukant B kryptimi. Gylių galima reguliuoti ne daugiau kaip 2,5 mm.

► **Pav.5:** 1. Reguliatorius

► **Pav.6:** 1. Per giliai 2. Lygiavimas 3. Nepakankamai giliai

Lemputės uždegimas

▲PERSPĖJIMAS: Nežiūrėkite tiesiai į šviesą arba šviesos šaltinį.

Patraukite gaiduką arba suaktyvinkite kontaktinį elementą, kad užsidegtų lemputė. Spaudžiant jungiklio gaiduką arba laikant kontaktinį elementą suaktyvintą, lemputė nepertraukiamai šviečia. Atleidus jungiklio gaiduką ir kontaktinį elementą, lemputė užgesa maždaug po 10 sekundžių.

► **Pav.7:** 1. Lemputė

PASTABA: Purvą nuo lempos objektyvo nuvalykite sausu skudurėliu. Būkite atsargūs, kad nesubraižytumėte lempos objektyvo, nes pablogės apšvietimas.

PASTABA: Net jei lemputė šviečia, kai akumulatoriuje liko mažai galios, vinių kalimo įrankis gali nebešaudyti vinių. Tokiu atveju įkraukite akumulatoriaus kasetę.

PASTABA: Jei vinių kalimo įrankis nustato klaidą, kai kalama vinis, pradeda mirksėti lemputė. Tokiu atveju nugabenkite vinių kalimo įrankį į gamylinės techninės priežiūros centrą.

SURINKIMAS

▲PERSPĖJIMAS: Prieš atlikdami bet kokius darbus pistoleto, būtina įsitikinkite, kad nelaikote pirštų ant gaiduko ar kontaktinio elemento, o akumulatoriaus kasetė išimta.

Vinių sudėjimas arba išėmimas

▲PERSPĖJIMAS: Prieš dėdami vinis, būtina įsitikinkite, kad nelaikote pirštų ant gaiduko, o akumulatoriaus kasetė yra išimta.

▲PERSPĖJIMAS: Negalima staigiai stumti kalimo įrankio slankiojo dangtelio su vinimis. Netyčia išmetus vinis, ypač jei dirbama aukštai, galima susižaloti.

▲PERSPĖJIMAS: Dėkite vinis tinkama kryptimi. Sudėjus vinis netinkama kryptimi, kreiptaus gali pirma laiko nusidėvėti, gali sugesti ir kitos dalys.

▲PERSPĖJIMAS: Nenaudokite deformuotų vinių juostų. Naudokite tik šioje instrukcijoje nurodytas vinis. Jei naudosite kitokias vinis nei nurodyta, viny gali įstrigti, o kalimo įrankis – sugesti.

1. Paspauskite fiksavimo svirtį ir atidarykite dėtuves slankųjį dangtelį.

► **Pav.8:** 1. Fiksavimo svirtelė 2. Slankiojančios durelės 3. Sukimo mechanizmo kreiptuvus 4. Dėtuve

2. Nustatykite vinių juostą taip, kad vinių galiukai liestų dėtuves apačia, ir stumkite vinių juostą kalimo angos link.

► **Pav.9:** 1. Vynys 2. Slankiojančios durelės 3. Sukimo mechanizmo kreiptuvus

3. Sugrąžinkite slankųjį dangtelį į jo pradinę padėtį, kad fiksavimo svirtis jį užfiksuoja.

Norėdami vinis išimti, paspauskite fiksavimo svirtį ir stumkite slankųjį dangtelį. Išimkite vinis iš dėtuves.

Priekio suderintuvus

▲ PERSPĖJIMAS: Prieš montuodami priekio suderintuvą, būtinai įsitikinkite, kad nelaide pirštų ant gaiduko ar kontaktinio elemento, o akumulatoriaus kasetę išimta.

Kaldami vinis į lengvai sugadinamus medžiagos paviršius, naudokite priekinės dalies adapterį. Norėdami pritvirtinti priekinės dalies adapterį, dėkite jį ant sukimo mechanizmo kreiptuvo dangtelio iki pat galo. Galite laikyti priekio suderintuvą laikiklyje dėtuves gale, kad jis nepasimestų.

► **Pav.10:** 1. Priekio suderintuvus 2. Laikiklis

Kablys

▲ PERSPĖJIMAS: Nekabinkite kablio prie juosmens diržo. Kabliui netyčia pasislinkus, pistoletas gali nukristi ir netyčia iššauti vinis bei sužaloti.

► **Pav.11**

Kablys yra patogus, kai norite trumpam pakabinti įrankį. Jį galima uždėti bet kurioje įrankio pusėje. Norėdami sumontuoti kablį, įkiškite jį į bet kurioje įrankio korpuso pusėje esantį griovelį, po to priveržkite jį varžtu. Norėdami kablį nuimti, atsukite varžtą ir nuimkite jį.

► **Pav.12:** 1. Griovelis 2. Kablys 3. Varžtas

Šešiabriaunio veržliarakčio laikymas

Nenaudojamą šešiabriaunį veržliarakčį laikykite taip, kaip parodyta paveikslėlyje, kad nepasimestumėte.

► **Pav.13:** 1. Šešiakampis raktas

NAUDOJIMAS

Saugos sistemos patikra

▲ JSPĖJIMAS: Prieš pradėdami dirbti įsitikinkite, ar visos saugos sistemos tinkamai veikia. Nesilaikydami šių nurodymų galite sunkiai susižeisti.

► **Pav.14:** 1. Gaiduko fiksavimo mygtukas 2. Gaidukas 3. Kontaktinis elementas 4. Dėtuve

Prieš naudodami, kaip nurodyta toliau, patikrinkite saugos sistemas dėl galimų veikimo trikdžių.

1. Išimkite vinis iš įrankio, dėtuves neuždarykite.
2. Įdėkite akumulatoriaus kasetę ir atleiskite gaiduko fiksatorių.
3. Gaiduką patraukite nepiliesdami kontaktinio elemento prie medžiagos.
4. Kontaktinį elementą prilieskite prie medžiagos tik tuomet, kai gaiduko netraukiate.

Jei įrankis veikia 3 ir 4 aprašytais atvejais, saugos sistemos veikia netinkamai. Nedelsdami nustokite naudoti įrankį ir susisieki su vietiniu techninės priežiūros centru.

Vinių kalimas

▲ JSPĖJIMAS: Kontaktinį elementą laikykite tvirtai įrėmę į medžiagą, kol vinis bus visiškai įkalta. Netyčia iššovus, galimi kūno sužalojimai.

1. Atleiskite gaiduko fiksatorių.
2. Padėkite kontaktinį elementą ant medžiagos.
3. Norėdami įkalti vinių, paspauskite gaiduką iki galo.
4. Norėdami įkalti kitą vinių, vieną kartą atleiskite gaiduką ir pakartokite 2 bei 3 veiksmus.

► **Pav.15:** 1. Gaidukas 2. Kontaktinis elementas

Vinis taip pat galite įkalti tempdami įrankį iki kitos srities, kai kontaktinis elementas yra įspaustas į medžiagą, ir paspausdami gaiduką.

► **Pav.16**

Kai vinių galvutė lieka ruošinio paviršiuje, kalkite vinių tvirtai laikydami vinių kalimo įrankio priekinę dalį ant ruošinio.

► **Pav.17**

PASTABA: Jei vinių galvutė vis tiek lieka ruošinio paviršiuje, net jei laikote vinių galvutę, vadinasi, medžiaga nėra tinkama vinių kalimo įrankiui. Toliau naudojant vinių kalimo įrankį su tokia medžiaga, galima sugadinti įrankio sukimo mechanizmą ir (arba) įrankis gali užstrigti.

Atjungimo mechanizmas

▲ JSPĖJIMAS: Prieš dėdami vinis į vinių kalimo įrankį, būtinai įsitikinkite, kad nelaide pirštų ant gaiduko ar kontaktinio elemento, o akumulatoriaus kasetę išimta.

Kai dėtuveje nelieka vinių juostų, paspausti gaiduko nepavyks. Tuo metu įdėkite naują vinių juostą į dėtuve. Gaiduką galima paspausti dar kartą.

Likusių vinių patikrinimas

Likusių vinių kiekį galite pamatyti per stebėjimo langelį. Raudonas indikatorius juda iššovimo angos link, mažėjant likusių vinių kiekiui.

► **Pav.18:** 1. Stebėjimo langelis 2. Indikatorius

Užstrigusių vinių išėmimas

⚠ JSPĖJIMAS: Prieš išimdami užstrigusias vinis, būtinai atleiskite gaiduką ir išimkite akumuliatoriaus kasetę bei vinis.

⚠ PERSPĖJIMAS: Neišiminėkite užstrigusių vinių plikomis rankomis. Vinis gali iššokti iš dėtuvės ir sužaloti.

Šešiakampiu veržliarakčiu atsukite šešiakampius varžtus nuo sukimo mechanizmo kreiptuvo dangtelio.

Kryžminiu atsuktuvu išimkite įstrigusias vinis iš vinių kreiptuvo griovelio.

Užveržkite sukimo mechanizmo kreiptuvo dangtelį šešiakampiais varžtais.

- **Pav.19:** 1. Sukimo mechanizmo kreiptuvo dangtelis
2. Šešiakampis varžtas

PASTABA: Pritvirtinę sukimo mechanizmo kreiptuvo dangtelį, visada patikrinkite, ar dangtelis tinkamai veikia. Jei su sukimo mechanizmo kreiptuvo dangtelis tinkamai neveikia, atsukite šešiakampius varžtus ir iš naujo jį sumontuokite.

TECHNINĖ PRIEŽIŪRA

⚠ PERSPĖJIMAS: Visuomet įsitikinkite, ar įrankis yra išjungtas ir akumuliatoriaus kasetė yra nuimta prieš atlikdami apžiūrą ir priežiūrą.

PASTABA: Niekada nenaudokite gazolino, benzino, tirpiklio, spirito arba panašių medžiagų. Gali atsirasti išblukimų, deformacijų arba įtrūkimų.

Kad gaminys būtų SAUGUS ir PATIKIMAS, jį taisyti, apžiūrėti ar vykdyti bet kokią kitą priežiūrą ar derinimą turi įgaliotasis kompanijos „Makita“ techninės priežiūros centras; reikia naudoti tik kompanijos „Makita“ pagamintas atsargines dalis.

PASIRENKAMI PRIEDAI

⚠ PERSPĖJIMAS: Šiuos papildomus priedus arba įtaisus rekomenduojama naudoti su šioje instrukcijoje nurodytu „Makita“ bendrovės įrankiu. Naudojant bet kokius kitus papildomus priedus arba įtaisus, gali kilti pavojus sužeisti žmones. Naudokite tik nurodytam tikslui skirtus papildomus priedus arba įtaisus.

Jei norite daugiau sužinoti apie tuos priedus, kreipkitės į artimiausią „Makita“ techninės priežiūros centrą.

- Vinys
- Originalus „Makita“ akumuliatorius ir įkroviklis
- Apsauginiai akiniai

PASTABA: Kai kurie sąrašė esantys priedai gali būti pateikti įrankio pakuotėje kaip standartiniai priedai. Jie įvairiose šalyse gali skirtis.

TEHNILISED ANDMED

Mudel:	DFN350
Naela suurus	18Ga × 15, 20, 25, 30, 35 mm
Naelasalve maht	100 tk
Mõõtmed koos BL1860B-ga, ilma konksuta (L × W × H)	257 mm × 79 mm × 228 mm
Nimipinge	Alalisvool 18 V
Netokaal	2,4 kg

- Meie pideva uuringu- ja arendusprogrammi tõttu võidakse tehnilisi andmeid muuta ilma sellest ette teatamata.
- Tehnilised andmed ja akukassett võivad riigiti erineda.
- Kaal võib erineda olenevalt lisaseadistest, kaasa arvatud akukassetist. Kergete ja raskeim kombinatsioon EPTA-protseduuri 01/2014 kohaselt on toodud tabelis.

Sobiv akukassett

BL1815 / BL1815N / BL1820 / BL1820B / BL1830 / BL1830B / BL1840 / BL1840B / BL1850 / BL1850B / BL1860B

- Mõned eespool loetletud akukassetid ei pruugi olla teie riigis saadaval.

⚠ HOIATUS: Kasutage ainult ülalpool loetletud akukassette. Muude akukassetide kasutamine võib tekitada vigastusi ja/või tulekahju.

Kavandatud kasutus

Tööriist on ette nähtud pehme puidu kinnitamiseks.

Müra

Tüüpiline A-korrigeeritud müratase, määratud standardi EN60745-2-16 kohaselt:

Helirõhutase (L_{pA}): 81 dB (A)

Helivõimsuse tase (L_{WA}): 92 dB (A)

Määramatus (K): 3 dB (A)

MÄRKUS: Deklareeritud müra väärtust (väärtuseid) on mõõdetud kooskõlas standardse katsemeetodiga ning seda võib kasutada ühe seadme võrdlemiseks teisega.

MÄRKUS: Deklareeritud müra väärtust (väärtuseid) võib kasutada ka mürataseme esmaseks hindamiseks.

⚠ HOIATUS: Kasutage kõrvakaitsmeid.

⚠ HOIATUS: Müratase võib elektritööriista tegelikkuses kasutamise ajal erineda deklareeritud väärtus(t)est olenevalt tööriista kasutusviisidest ja eriti töödeldavast toorikust.

⚠ HOIATUS: Rakendage operaatori kaitsmiseks kindlasti piisavaid ohutusabinõusid, mis põhinevad hinnangulisel müratasemel tegelikus töösituatsioonis (võttes arvesse tööperioodi kõiki osasid, näiteks korrad, kui seade lülitatakse välja ja seade töötab tühikäigul, lisaks tööajale).

Vibratsioon

Vibratsioonitaseme koguväärtus vastavalt EN60745-2-16:

Vibratsioonihede (a_{h1}): 2,5 m/s² või vähem

Määramatus (K): 1,5 m/s²

MÄRKUS: Deklareeritud vibratsiooni koguväärtust (-väärtuseid) on mõõdetud kooskõlas standardse katsemeetodiga ning seda võib kasutada ühe seadme võrdlemiseks teisega.

MÄRKUS: Deklareeritud vibratsiooni koguväärtust (-väärtuseid) võib kasutada ka mürataseme esmaseks hindamiseks.

⚠ HOIATUS: Vibratsioonitase võib elektritööriista tegelikkuses kasutamise ajal erineda deklareeritud väärtus(t)est olenevalt tööriista kasutusviisidest ja eriti töödeldavast toorikust.

⚠ HOIATUS: Rakendage operaatori kaitsmiseks kindlasti piisavaid ohutusabinõusid, mis põhinevad hinnangulisel müratasemel tegelikus töösituatsioonis (võttes arvesse tööperioodi kõiki osasid, näiteks korrad, kui seade lülitatakse välja ja seade töötab tühikäigul, lisaks tööajale).

EÜ vastavusdeklaratsioon

Ainult Euroopa riikide puhul

EÜ vastavusdeklaratsioon sisaldub käesoleva juhendi Lisas A.

OHUTUSHOIATUSED

Üldised elektritööriistade ohutushoiatused

⚠ HOIATUS: Lugege läbi kõik selle elektritööriistaga kaasas olevad ohutushoiatused, juhised, joonised ja tehnilised andmed. Järgnevate juhiste eiramine võib põhjustada elektrilöögi, süttimise ja/või raske kehavigastuse.

Hoidke edaspidisteks viide- teks alles kõik hoiatused ja juhtnõõrid.

Hoiatustes kasutatud termini „elektritööriist“ all peetakse silmas elektriga töötavaid (juhtmega) elektritööriistu või akuga töötavaid (juhtmeta) elektritööriistu.

Juhtmeta needipüstoli ohutusjuhised

1. Arvestage alati sellega, et tööriistas võib olla kinnitusvahendeid. Needipüstoli ettevaatamatu käsitsemine võib põhjustada kinnitusvahendite ootamatu vallandumise ning kehavigastusi.
2. Ärge suunake tööriista enda või kellegi lähedaiseva poole. Ootamatu vallandumine tühjen-dab kinnitaja ning põhjustab kehavigastusi.
3. Ärge käivitage tööriista, kui see ei ole asetatud kindlalt vastu töödeldavat detaili. Kui tööriist ei ole töödeldava detailiga kontaktis, võib kinnitaja sihtmärgist kõrvale kalduda.
4. Juhul kui kinnitusvahend kiilub tööriistas kinni, eemaldage tööriist vooluallikast. Kui needipüstol on sisse lülitatud, võib see kinnikiilunud kinnitusva-hendi eemaldamise ajal ootamatult käivituda.
5. Olge kinnikiilunud klambripüstoli eemalda-misel ettevaatlik. Mehhanism võib surve all olla ning jõuliselt tühjeneda, kui üritate ummistust eemaldada.
6. Ärge kasutage needipüstolit elektrikaablite kinnitamiseks. See ei ole mõeldud elektrikaablite paigaldamiseks, sest võib kahjustada elektrikaab-
lite isolatsiooni, põhjustades seeläbi elektrilöögi-
või tulekahjuohtu.
7. Hoidke käed ja jalad eemal kinnitusvahendi väljumisava piirkonnast.
8. Järgige õlitamist ja tarvikute vahetamist puu-dutavaid juhiseid.
9. Eemaldage akukassett alati enne kinnitusva-hendite laadimist, tööriista reguleerimist, kont-
rollimist, hooldust või pärast töö lõpetamist.
10. Enne toimingu tegemist veenduge, et kedagi poleks läheduses. Ärge püüdke paigaldada kinnitusvahendeid ühel ajal nii seina sise- kui ka välisküljelt. Kinnitusvahendid võivad konst-
ruktsoonist läbi tungida ja/või välja lennata, tekitades tõsise ohtu.
11. Jälgige oma jalgealust toetuspinda ja hoidke tööriistaga töötades tasakaalu. Kõrgustes töö-tades veenduge, et allpool ei viibiks inimesi.
12. Ärge kunagi kasutage kinnitusvahendite pai-galdustööriistu, mis on tähistatud sümboliga „Mitte kasutada tellingtonel, redelitel“, teatud rakendustes, näiteks:
 - kui kinnitusvahendite paigaldamine on seotud asukoha muutmisega, mis nõuab tellin-gute, treppide, redelite või redelisarnaste konstruktsioonide, nt katuse roovlattide, kasutamist;
 - konteinerite või kastide sulgemiseks;
 - transportimisel kasutatavate turvasüs-teemide paigaldamiseks, nt sõidukitel ja kaubavagunitel.

13. Kontrollige hoolikalt seinu, lagesid, pöran-daid, katust ja muud sellesarnast, et vältida võimalikku elektrilööki, gaasileket, plahvatusi jne, mida võib põhjustada nimetatud konst-
ruktsoonidesse paigaldatud voolu all olevate juhtmete, kaablikarbakute või gaasitorude taba-mine klambritega.
14. Kasutage ainult kasutusjuhendis ette nähtud kinnitusvahendeid. Teistsuguste kinnitusva-hendite kasutamine võib põhjustada tööriista talitlushäire.
15. Ärge muutke tööriista omavoliliselt ega püüdke seda kasutada muuks otstarbeks kui kinnitusvahendite paigaldamiseks.
16. Ärge kasutage tööriista ilma kinnitusvahendi-teta. See vähendab seadme tööiga.
17. Lõpetage klambrite paigaldamine viivitamatult, kui märkate tööriista juures midagi väärat või ebaharilikku.
18. Ärge kunagi paigaldage kinnitusvahendeid materjali, millest kinnitusvahend võib läbi lennata.
19. Ärge kunagi aktiveerige lüliti päästikut ja kontakteleменти samal ajal, enne kui olete töödeldavate detailide kinnitamiseks valmis. Laske töödeldaval detailil kontaktelement alla vajutada. Ärge takistage seda kunagi kontakte-
lementide blokeerimisega tagant või seda käega surudes.
20. Ärge kunagi muutke kontaktelementi oma-voliliselt. Kontrollige sageli kontaktelementi töökorras olekut.
21. Kui tööriista ei kasutata, eemaldage sellest alati kinnitusvahendid.

HOIDKE JUHEND ALLES.

▲HOIATUS: ÄRGE UNUSTAGE järgida toote ohutusnõudeid mugavuse või toote (korduskasu-tamise) saavutamise hea tundmise tõttu. VALE KASUTUS või kasutusjuhendi ohutuseeskirjade eiramine võib põhjustada tervisekahjustusi.

Akukassetiga seotud olulised ohutusjuhised

1. Enne akukasseti kasutamist lugege (1) akulaa-dijal, (2) akul ja (3) seadmel olevad juhtnõõrid ja hoiatused läbi.
2. Ärge võtke akukassetti lahti.
3. Kui tööaeg järsult lüheneb, siis lõpetage kohe kasutamine. Edasise kasutamise tulemuseks võib olla ülekuumenemisoht, võimalikud põle-tused või isegi plahvatus.
4. Kui elektrilüüti satub silma, siis loputage silma puhta veega ja pöörduge koheselt arsti poole. Selline õnnetus võib põhjustada pimedaksjäämist.
5. Ärge tekitage akukassetis lühist:
 - (1) Ärge puutuge klemme elektrijuhtidega.
 - (2) Ärge hoidke akukassetti tööriistakastis koos metallesemetega, nagu naelad, mündid jne.
 - (3) Ärge tehke akukassetti märjaks ega jätke seda vihma kätte.

Aku lühis võib põhjustada tugevat elektri-
voolu, ülekuumenemist, põletusi ning ka sea-
det tõsiselt kahjustada.

6. Ärge hoidke tööriista ja akukassetti kohtades, kus temperatuur võib tõusta üle 50 °C.
7. Ärge põletage akukassetti isegi siis, kui see on saanud tõsiselt vigastada või on täiesti kulu-
nud. Akukassett võib tules plahvatada.
8. Olge ettevaatlik, ärge laske akul maha kukkuda ja vältige lööke.
9. Ärge kasutage kahjustatud akut.
10. Sisalduvatele liitium-ioonakudele võivad kohalduda ohtlike kaupade õigusaktide nõu-
ded.
Kaubanduslikul transportimisel, näiteks kolman-
date poolte või transpordiettevõtete poolt, tuleb järgida pakendil ja siltidel toodud erinõudeid.
Transportimiseks ettevalmistamisel on vajalik pidada nõu ohtliku materjali eksperdigiga. Samuti tuleb järgida võimalike riiklike regulatsioonide üksikasjalikumaid nõudeid.
Katke teibiga või varjake avatud kontaktid ja pakendage aku selliselt, et see ei saaks pakendis liikuda.
11. Järgige kasutusõhbmatus muutunud aku käitlemisel kohalike eeskirju.
12. Kasutage akusid ainult Makita heaks kiidetud toodetega. Akude paigaldamine selleks mitte ettenähtud toodetele võib põhjustada süttimist, ülemäärast kuumust, plahvatamist või elektrolüüdi lekkimist.

HOIDKE JUHEND ALLES.

⚠ETTEVAATUST: Kasutage ainult Makita originaalakusid. Mitte Makita originaalakude või muudetud akude kasutamine võib põhjustada akude süttimise, kehavigastuse ja kahjustuse. Samuti muudab see kehtetuks Makita tööriista ja laadija Makita garantii.

Vihjeid aku maksimaalse kasu- tusaja tagamise kohta

1. Laadige akukassetti enne selle täielikku tühjenemist. Kui märkate, et tööriist töötab väiksema võimsusega, peatage töö ja laadige akukassetti.
2. Ärge laadige täielikult laetud akukassetti. Ülelaadimine lühendab akude kasutusiga.
3. Laadige akukassetti toatemperatuuril 10 °C - 40 °C. Enne laadimist laske kuumenenud akukassetil maha jahtuda.
4. Kui te ei kasuta akukassetti kauem kui kuus kuud, laadige see.

FUNKTSIONAALNE KIRJELDUS

⚠ETTEVAATUST: Kandke alati hoolt selle eest, et tööriist oleks enne reguleerimist ja kontrollimist välja lülitatud ja akukassett eemaldatud.

Akukasseti paigaldamine või eemaldamine

⚠ETTEVAATUST: Lülitage tööriist alati enne akukasseti paigaldamist või eemaldamist välja.

⚠ETTEVAATUST: Akukasseti paigaldamisel või eemaldamisel tuleb tööriista ja akukassetti kindlalt paigal hoida. Kui tööriista ja akukassetti ei hoita kindlalt paigal, võivad need käest libiseda ning kahjustada tööriista ja akukassetti või põhjustada kehavigastusi.

► **Joon.1:** 1. Punane näidik 2. Nupp 3. Akukassett

Akukasseti eemaldamiseks libistage see tööriista küljest lahti, vajutades kasseti esiküljel paiknevat nuppu alla.

Akukasseti paigaldamiseks joondage akukasseti keel korpuse soonega ja libistage kassett oma kohale. Paigaldage akuadapter alati nii kaugele, et see lukustus-
klõpsatusega oma kohale. Kui näete nupu ülaosas punast osa, pole kassett täielikult lukustunud.

⚠ETTEVAATUST: Paigaldage akukassett alati täies ulatuses nii, et punast osa ei jääks näha. Muidu võib adapter juhulislikult tööriistast välja kukkuda ning põhjustada teile või läheduses viibivatele isikutele vigastusi.

⚠ETTEVAATUST: Ärge rakendage akukasseti paigaldamisel jõudu. Kui kassett ei lähe kergesti sisse, pole see õigesti paigaldatud.

Tööriista/aku kaitsesüsteem

Tööriist on varustatud tööriista või aku kaitsesüstee-
miga. Süsteem lülitab mootori automaatselt välja, et pikendada tööriista ja aku tööiga. Tööriist seiskub käita-
mise ajal automaatselt, kui tööriista või aku kohta kehtib üks järgmistest tingimustest.

Ülekoormuskaitse

Kui tööriista/aku kasutamise käigus hakkab see tarbima ebaharilikult palju voolu, peatub tööriist automaatselt ilma igasuguse signaalita. Sellisel juhul lülitage tööriist välja ja lõpetage tööriista ülekoormuse põhjustanud kasutus. Pärast seda käivitage tööriist uuesti.

Ülekuumenemiskaitse

Tööriista/aku ülekuumenemisel seiskub tööriist auto-
maatselt. Sellises olukorras laske tööriista/akul enne uuesti kasutamist jahtuda.

Ülelaadimiskaitse

Kui aku laetuse tase ei ole piisav, seiskub tööriist auto-
maatselt. Sellisel juhul eemaldage aku seadmest ja laadige täis.

Aku jääkmahutavuse näit

Ainult näidikuga akukasettidele

► **Joon.2:** 1. Märgulambid 2. Kontrollimise nupp

Akukasetti järelejäänud mahutavuse kontrollimiseks vajutage kontrollimise nuppu. Märgulambid süttivad mõneks sekundiks.

Märgulambid			Jääkmahutavus
			75 - 100%
			50 - 75%
			25 - 50%
			0 - 25%
			Laadige akut.
			Akul võib olla tõrge.

MÄRKUS: Näidatud mahutavus võib veidi erineda tegelikust mahutavusest olenevalt kasutustingimustest ja ümbritseva keskkonna temperatuurist.

Päästikuluku nupp

▲ETTEVAATUST: Kontrollige alati enne akukasetti tööriista külge paigaldamist, kas lüliti päästik funktsioneerib nõuetekohaselt ja liigub lahtilaskmisel tagasi väljalülitatud asendisse.

▲ETTEVAATUST: Kui te tööriista parajasti ei kasuta, vajutage päästikuluku nuppu B-poolelt, et lukustada lüliti päästik väljalülitatud asendisse.

► **Joon.3:** 1. Päästikuluku nupp 2. Lüliti päästik

► **Joon.4**

Selleks et lüliti päästikut poleks võimalik juhuslikult vajutada, on tööriistal päästikuluku nupp. Lüliti päästiku vajutamiseks vajutage esmalt A-poolelt päästikuluku nuppu. Pärast kasutamist vajutage alati päästikuluku nuppu B-poolelt.

Naelutussügavuse reguleerimine

▲HOIATUS: Enne neepüstoli neetimissügavuse reguleerimist veenduge alati, et teie sõrmed ei oleks lüliti päästikuga kontaktlemendil ja akukasett oleks välja võetud.

Selle naelapüstoli naelutussügavus on reguleeritav. Naelutussügavuse reguleerimiseks keerake regulaatorit. Naelutussügavus on suurim, kui regulaator on täielikult keeratud joonisel näidatud suunas A. Naelutussügavus väheneb, kui regulaatorit keerata suunas B. Sügavust saab reguleerida 2,5 mm kuni maksimumini.

► **Joon.5:** 1. Regulaator

► **Joon.6:** 1. Liiga sügav 2. Ühetasane 3. Liiga madal

Lambi süütamine

▲ETTEVAATUST: Ärge vaadake otse valgusesse ega valgusalikkat.

Vajutage lüliti päästikut või käivitage kontaktelement lambi süütamiseks. Lamp jääb põlema, kuni vajutatakse lüliti päästikut või on käivitatud kontaktelement. Lamp kustub umbes 10 sekundit pärast lüliti päästiku või kontaktelementi vabastamist.

► **Joon.7:** 1. Lamp

MÄRKUS: Pühkige lamp kuiva lapiga puhtaks. Olge seda tehes ettevaatlik, et lambi läätse mitte kriimustada, sest muidu võib valgustus väheneda.

MÄRKUS: Isegi kui lamp hakkab aku madala laetuse taseme korral põlema, ei pruugi naelapüstol naelu naelutada. Sellisel juhul laadige akukasetti.

MÄRKUS: Kui naelapüstol tuvastab naela sisselõtmise ajal vea, hakkab lamp vilkuma. Sellisel juhul viige naelapüstol tehase teeninduskeskusesse.

KOKKUPANEK

▲ETTEVAATUST: Enne naelapüstoliga ükskõik millise töö tegemist veenduge alati, et teie sõrmed ei oleks lüliti päästikul ega kontaktlemendil ja akukasett oleks välja võetud.

Naelte laadimine või eemaldamine

▲ETTEVAATUST: Veenduge alati, et teie sõrmed ei paikneks päästikul ning akukasett oleks enne naelte laadimist eemaldatud.

▲ETTEVAATUST: Ärge lükake naeltega täidetud naelapüstoli salve liugust järsult. Naeltel ootamatu mahakukkumine, eelkõige siis, kui töötate kõrgel, võib tekitada kehavigastusi.

▲ETTEVAATUST: Laadige naelad õiges suunas. Vales suunas laadimine võib põhjustada käituri enneaegset kulumist ja kahjustada teisi osi.

▲ETTEVAATUST: Ärge kasutage kõverdunud naelatükke. Kasutage kasutusjuhendis ette nähtud naelu. Ettenähtust erinevate naelte kasutamine võib põhjustada naelapüstoli kinnikiilumist ja purunemist.

1. Vajutage lukustushoovale ja avage salve liuguks.
► **Joon.8:** 1. Lukustushoob 2. Liuguks 3. Käituri juhik 4. Salv

2. Seadke naelalint selliselt, et naelatipud puudutaksid salve põhja, ning lükake naelalinti naelte väljutusava suunas.

► **Joon.9:** 1. Naelad 2. Liuguks 3. Käituri juhik

3. Viige liuguks esialgsesse asendisse, kuni lukustushoob selle lukustab.

Naelte eemaldamiseks vajutage lukustushoovale ning lükake liugust. Võtke naelad salvest välja.

Otsaku adapter

⚠ETTEVAATUST: Enne otsaku adapteri paigaldamist veenduge, et teie sõrmed ei oleks lüüti päästikul ega kontaktelemendil ja akukasett oleks välja võetud.

Kasutage otsaku adapterit, kui sisestate naelu kergesti rikutava pinnaga materjalisse. Otsaku adapteri kinnitamiseks tõmmake see lõpuni käituri juhiku otsa.

Otsaku adapteri kadumise ärahoidmiseks hoidke seda hoidikus salve tagaosas.

► **Joon.10:** 1. Otsaku adapter 2. Hoidik

Konks

⚠ETTEVAATUST: Ärge riputage konksu vööle. Naelapüstoli pillamine võib konksu juhusliku liikumise tõttu põhjustada kogemata tulistamist ja kehavigastusi.

► **Joon.11**

Konksu abil saate tööriista ajutiselt kuhugi riputada. Selle võib paigaldada tööriista ükskõik kummale küljele. Konksu paigaldamiseks torgake see tööriista korpuse ükskõik kummal küljel olevasse õnarusse ja kinnitage kruviga. Eemaldamiseks lödvendage kruvi ja võtke see siis välja.

► **Joon.12:** 1. Soon 2. Konks 3. Kruvi

Kuuskantvõtme hoidmine

Kui kuuskantvõtit ei kasutata, hoidke seda kaotamise vältimiseks joonisel näidatud viisil.

► **Joon.13:** 1. Kuuskantvõti

TÖÖRIISTA KASUTAMINE

Ohutussüsteemi testimine

⚠HOIATUS: Enne tööleasumist veenduge, et kõik ohutussüsteemid oleks töökorras. Selle eiramisel võivad tagajärjeks olla kehavigastused.

► **Joon.14:** 1. Päästikuluku nupp 2. Lüüti päästik 3. Kontaktelement 4. Salv

Kontrollige ohutussüsteeme enne töötamist võimaliku tõrke suhtes, toimides järgmiselt.

1. Tühjendage tööriist naeltest ja jätke salv avatuks.
2. Paigaldage akukasett ja vabastage päästikulukk.
3. Tõmmake ainult lüüti päästikut, puudutamata kontaktelementi vastu materjali.
4. Kontaktelementi võite asetada vastu materjali ainult ilma lüüti päästikut vajutamata.

Kui eelkirjelatud 3. ja 4. juhtumi korral tööriist käivitub, on ohutussüsteem rikkis. Lõpetage kohe tööriista kasutamine ja pöörduge kohaliku hoolduskeskuse poole.

Naelte sisestamine

⚠HOIATUS: Hoidke kontaktelementi kindlalt materjalil, kuni nael on täielikult sisestatud. Kogemata laskmine võib põhjustada kehavigastusi.

1. Vabastage päästikulukk.
 2. Asetage kontaktelement vastu töödeldavat detaili.
 3. Naela sisselöömiseks vajutage lüüti päästikut lõpuni alla.
 4. Järgmise naela sisselöömiseks eemaldage sõrm korraks lüüti päästikult ja korra eesjärel ülalpool toodud samme 2 ja 3.
- **Joon.15:** 1. Lüüti päästik 2. Kontaktelement

Naelu saate sisse lüüa ka nii, et lohistate tööriista vastu materjali surutud kontaktelemendiga järgmisel piirkonda ja vajutate lüüti päästikut.

► **Joon.16**

Kui naela pea jääb töödeldava eseme pinnast kõrgemale, hoidke naela sisselöömisel naelapüstoli pead kindlalt vastu töödeldavat eset.

► **Joon.17**

MÄRKUS: Kui naela pea jääb siiski isegi naelapüstoli pea hoidmisel töödeldava eseme pinnast kõrgemale, ei pruugi materjal olla naelapüstoli jaoks sobiv. Sellisel materjalil naelapüstoli kasutamise jätkamine võib põhjustada naelapüstoli käituri rikkeid ja/või naelapüstoli kinnikiilumist.

Tühilasuvastane mehhanism

⚠HOIATUS: Enne naelapüstoli laadimist veenduge alati, et teie sõrmed ei oleks lüüti päästikul ega kontaktelemendil ja akukasett oleks välja võetud.

Kui salv on naeltest tühi, ei saa enam lüüti päästikut vajutada. See on hetk, kust salve tuleb sisestada uus naelariba. Lüüti päästikut võib nüüd uuesti vajutada.

Allesolevate naelte kontrollimine

Allesolevate naelte arvu on võimalik kontrollida läbi vaateakna.

Allesolevate naelte arvu vähenemisel liigub punane näidik väljalaskeava suunas.

► **Joon.18:** 1. Vaateaken 2. Näidik

Kinnikiilunud naelte eemaldamine

⚠HOIATUS: Enne kinnikiilunud naelte eemaldamist kontrollige alati, et päästik oleks vabastatud ning akukasett ja naelad oleks välja võetud.

⚠ETTEVAATUST: Ärge eemaldage kinnikiilunud naelu paljaste kätega. Nael võib salvest välja hüpata ja põhjustada vigastusi.

Eemaldage käituri juhiku kaane kuuskantpoldid kuuskantvõtmega. Võtke kinni jäänud naelad naelajuhiku soonest lapikruuvikeerajaga välja.

Kinnitage käituri juhiku kaas kuuskantpoldidega.

► **Joon.19:** 1. Käituri juhiku kate 2. Kuuskantpold

MÄRKUS: Pärast käituri juhiku kaane kinnitamist veenduge alati, et käituri juhiku kaas funktsioneeriks õigesti. Kui see ei funktsioneeriks õigesti, siis eemaldage kuuskantpoldid ja paigaldage käituri juhiku kaas uuesti.

HOOLDUS

⚠ETTEVAATUST: Enne kontroll- või hooldustoimingute tegemist kandke alati hoolt selle eest, et tööriist oleks välja lülitatud ja akukassett korpuse küljest eemaldatud.

TÄHELEPANU: Ärge kunagi kasutage bensiini, vedeldit, alkoholi ega midagi muud sarnast. Selle tulemuseks võib olla luitumine, deformatsioon või pragunemine.

Toote OHUTUSE ja TÖÖKINDLUSE tagamiseks tuleb vajalikud remonttööd ning muud hooldus- ja reguleerimistööd lasta teha Makita volitatud teeninduskeskustes või tehase teeninduskeskustes. Alati tuleb kasutada Makita varuosi.

VALIKULISED TARVIKUD

⚠ETTEVAATUST: Neid tarvikuid ja lisaseadiseid on soovitatav kasutada koos Makita tööriistaga, mille kasutamist selles kasutusjuhendis kirjeldatakse. Muude tarvikute ja lisaseadiste kasutamisega kaasneb vigastada saamise oht. Kasutage tarvikuid ja lisaseadiseid ainult otstarbekohaselt.

Saate vajaduse korral kohalikust Makita teeninduskeskusest lisateavet nende tarvikute kohta.

- Naelad
- Makita algupärane aku ja laadija
- Kaitseprillid

MÄRKUS: Mõned nimekirjas loetletud tarvikud võivad kuuluda standardvarustusse ning need on lisatud tööriista pakendisse. Need võivad riigiti erineda.

ТЕХНИЧЕСКИЕ ХАРАКТЕРИСТИКИ

Модель:	DFN350
Размер гвоздя	18Ga × 15, 20, 25, 30, 35 мм
Емкость магазина для гвоздей	100 шт.
Размеры с BL1860B, без крюка (Д × Ш × В)	257 мм × 79 мм × 228 мм
Номинальное напряжение	18 В пост. тока
Масса нетто	2,4 кг

- Благодаря нашей постоянно действующей программе исследований и разработок указанные здесь технические характеристики могут быть изменены без предварительного уведомления.
- Технические характеристики и аккумуляторный блок могут отличаться в зависимости от страны.
- Масса может отличаться в зависимости от дополнительного оборудования. Обратите внимание, что блок аккумулятора также считается дополнительным оборудованием. В таблице представлены комбинации с наибольшим и наименьшим весом в соответствии с процедурой EPTA 01/2014.

Подходящий блок аккумулятора

BL1815 / BL1815N / BL1820 / BL1820B / BL1830 / BL1830B / BL1840 / BL1840B / BL1850 / BL1850B / BL1860B

- В зависимости от региона вашего проживания некоторые блоки аккумуляторов, перечисленные выше, могут быть недоступны.

⚠ ОСТОРОЖНО: Используйте только перечисленные выше блоки аккумуляторов. Использование других блоков аккумуляторов может привести к травме и/или пожару.

Назначение

Этот инструмент предназначен для крепления деталей из мягкой древесины.

Шум

Типичный уровень взвешенного звукового давления (A), измеренный в соответствии с EN60745-2-16:

Уровень звукового давления ($L_{p(A)}$): 81 дБ (A)

Уровень звуковой мощности (L_{WA}): 92 дБ (A)

Погрешность (K): 3 дБ (A)

ПРИМЕЧАНИЕ: Заявленное значение распространения шума измерено в соответствии со стандартной методикой испытаний и может быть использовано для сравнения инструментов.

ПРИМЕЧАНИЕ: Заявленное значение распространения шума можно также использовать для предварительных оценок воздействия.

⚠ ОСТОРОЖНО: Используйте средства защиты слуха.

⚠ ОСТОРОЖНО: Распространение шума во время фактического использования электроинструмента может отличаться от заявленного значения в зависимости от способа применения инструмента и в особенности от типа обрабатываемой детали.

⚠ ОСТОРОЖНО: Обязательно определите меры безопасности для защиты оператора, основанные на оценке воздействия в реальных условиях использования (с учетом всех этапов рабочего цикла, таких как выключение инструмента, работа без нагрузки и включение).

Вибрация

Общее значение вибрации определено в соответствии с EN60745-2-16:

Распространение вибрации (a_h): 2,5 м/с² или менее

Погрешность (K): 1,5 м/с²

ПРИМЕЧАНИЕ: Заявленное общее значение распространения вибрации измерено в соответствии со стандартной методикой испытаний и может быть использовано для сравнения инструментов.

ПРИМЕЧАНИЕ: Заявленное общее значение распространения вибрации можно также использовать для предварительных оценок воздействия.

⚠ ОСТОРОЖНО: Распространение вибрации во время фактического использования электроинструмента может отличаться от заявленного значения в зависимости от способа применения инструмента и в особенности от типа обрабатываемой детали.

⚠ ОСТОРОЖНО: Обязательно определите меры безопасности для защиты оператора, основанные на оценке воздействия в реальных условиях использования (с учетом всех этапов рабочего цикла, таких как выключение инструмента, работа без нагрузки и включение).

Декларация о соответствии ЕС

Только для европейских стран

Декларация о соответствии ЕС включена в руководство по эксплуатации (Приложение А).

МЕРЫ БЕЗОПАСНОСТИ

Общие рекомендации по технике безопасности для электроинструментов

▲ ОСТОРОЖНО: Ознакомьтесь со всеми представленными инструкциями по технике безопасности, указаниями, иллюстрациями и техническими характеристиками, прилагаемыми к данному электроинструменту. Несоблюдение каких-либо инструкций, указанных ниже, может привести к поражению электрическим током, пожару и/или серьезной травме.

Сохраните брошюру с инструкциями и рекомендациями для дальнейшего использования.

Термин "электроинструмент" в предупреждениях относится ко всему инструменту, работающему от сети (с проводом) или на аккумуляторах (без провода).

Правила техники безопасности при эксплуатации аккумуляторного гвоздезабивного пистолета

1. **Всегда предполагайте, что в инструмент заряжен крепеж.** Небрежное обращение со гвоздезабивным пистолетом может стать причиной внезапного выстрела крепежом и получения травмы.
2. **Не направляйте инструмент на себя или окружающих.** Случайное нажатие на триггерный переключатель приведет к выбросу крепежа и травме.
3. **Не нажимайте на переключатель, пока плотно не прижмете инструмент к обрабатываемой детали.** Если инструмент не соприкасается с обрабатываемой деталью, крепеж может уйти в сторону.
4. **При заклинивании крепежа отключите инструмент от источника питания.** В противном случае гвоздезабивной пистолет может случайно сработать во время извлечения крепежа.
5. **Соблюдайте осторожность при извлечении заклинившего крепежа.** Механизм может находиться под давлением, и при попытке извлечь заклинивший крепеж инструмент может сработать.
6. **Не используйте этот гвоздезабивной пистолет для закрепления электрических кабелей.** Он не предназначен для прокладки электрокабелей и может повредить их изоляцию, таким образом создавая опасность поражения электрическим током или возгорания.
7. **Не направляйте выходное отверстие на руки или ноги.**

8. **Следуйте инструкциям по смазке и замене принадлежностей.**
9. **Обязательно снимайте блок аккумулятора перед зарядкой крепежа, регулировкой, проверкой, техническим обслуживанием или после выполнения работ.**
10. **Перед началом работ убедитесь, что рядом нет людей.** Запрещено вбивать крепеж одновременно с внутренней и внешней стороны стенки. Крепеж может пройти сквозь деталь и/или отлететь, представляя смертельную опасность.
11. **Работая с инструментом, всегда следите за тем, чтобы ваше положение было устойчиво.** При использовании инструмента на высоте убедитесь в отсутствии людей внизу.
12. **Запрещается использовать инструменты для установки крепежа, отмеченные символом с надписью "Не использовать на лесах и лестницах", в следующих ситуациях:**
 - если для перехода с одного места проведения работ к другому требуется воспользоваться лесами, лестницами, стремянками и им подобными конструкциями, например обрешеткой крыши;
 - при закрытии коробок и ящиков;
 - для установки систем защиты на транспортных средствах, например автомобилях или автофургонах.
13. **Тщательно проверьте стены, потолок, полы, кровлю и т. д., чтобы не допустить поражения электрическим током, утечки газа, взрыва и т. д. вследствие прокалывания проводов, трубопроводов и газовых труб.**
14. **Используйте только тот крепеж, который указан в настоящем руководстве.** Использование другого крепежа может привести к поломке инструмента.
15. **Не меняйте конструкцию инструмента и не используйте его для каких-либо иных целей, кроме установки крепежа.**
16. **Не пользуйтесь инструментом без крепежа.** Это ведет к сокращению срока службы инструмента.
17. **Если заметите какие-либо неполадки в инструменте, немедленно прекратите работу.**
18. **Запрещается вбивать крепеж в материал, который он может пробить и пролететь насквозь.**
19. **Никогда одновременно не нажимайте на триггерный переключатель и не активируйте контактный элемент, пока не будете готовы приступить к работе.** Используйте инструмент так, чтобы нажатие контактного элемента осуществлялось об обрабатываемую деталь. Никогда не блокируйте контактный элемент в заднем положении и не нажимайте на него рукой.
20. **Запрещено изменять конструкцию контактного элемента.** Чтобы обеспечить надежную работоспособность инструмента, регулярно проверяйте контактный элемент.

21. Если инструмент не используется, обязательно извлеките из него крепеж.

СОХРАНИТЕ ДАННЫЕ ИНСТРУКЦИИ.

▲ОСТОРОЖНО: НЕ ДОПУСКАЙТЕ, чтобы удобство или опыт эксплуатации данного устройства (полученный от многократного использования) доминировали над строгим соблюдением правил техники безопасности при обращении с этим устройством. **НЕПРАВИЛЬНОЕ ИСПОЛЬЗОВАНИЕ** инструмента или несоблюдение правил техники безопасности, указанных в данном руководстве, может привести к тяжелой травме.

Важные правила техники безопасности для работы с аккумуляторным блоком

1. Перед использованием аккумуляторного блока прочитайте все инструкции и предупреждающие надписи на (1) зарядном устройстве, (2) аккумуляторном блоке и (3) инструменте, работающем от аккумуляторного блока.
2. Не разбирайте аккумуляторный блок.
3. Если время работы аккумуляторного блока значительно сократилось, немедленно прекратите работу. В противном случае, может возникнуть перегрев блока, что приведет к ожогам и даже к взрыву.
4. В случае попадания электролита в глаза промойте их обильным количеством чистой воды и немедленно обратитесь к врачу. Это может привести к потере зрения.
5. Не замыкайте контакты аккумуляторного блока между собой:
 - (1) Не прикасайтесь к контактам какими-либо токопроводящими предметами.
 - (2) Не храните аккумуляторный блок в контейнере вместе с другими металлическими предметами, такими как гвозди, монеты и т. п.
 - (3) Не допускайте попадания на аккумуляторный блок воды или дождя.Замыкание контактов аккумуляторного блока между собой может привести к возникновению большого тока, перегреву, возможному ожогу и даже поломке блока.
6. Не храните инструмент и аккумуляторный блок в местах, где температура может достигать или превышать 50 °C (122 °F).
7. Не бросайте аккумуляторный блок в огонь, даже если он сильно поврежден или полностью вышел из строя. Аккумуляторный блок может взорваться под действием огня.
8. Не роняйте и не ударяйте аккумуляторный блок.
9. Не используйте поврежденный аккумуляторный блок.

10. Входящие в комплект литий-ионные аккумуляторы должны эксплуатироваться в соответствии с требованиями законодательства об опасных товарах.

При коммерческой транспортировке, например, третьей стороной или экспедитором, необходимо нанести на упаковку специальные предупреждения и маркировку.

В процессе подготовки устройства к отправке обязательно проконсультируйтесь со специалистом по опасным материалам. Также соблюдайте местные требования и нормы. Они могут быть строже.

Закройте или закрепите разомкнутые контакты и упакуйте аккумулятор так, чтобы он не перемещался по упаковке.

11. Выполняйте требования местного законодательства относительно утилизации аккумуляторного блока.
12. Используйте аккумуляторы только с продукцией, указанной Makita. Установка аккумуляторов на продукцию, не соответствующую требованиям, может привести к пожару, перегреву, взрыву или утечке электролита.

СОХРАНИТЕ ДАННЫЕ ИНСТРУКЦИИ.

▲ВНИМАНИЕ: Используйте только фирменные аккумуляторные батареи Makita.

Использование аккумуляторных батарей, не произведенных Makita, или батарей, которые были подвергнуты модификациям, может привести к взрыву аккумулятора, пожару, травмам и повреждению имущества. Это также автоматически аннулирует гарантию Makita на инструмент и зарядное устройство Makita.

Советы по обеспечению максимального срока службы аккумулятора

1. Заряжайте блок аккумуляторов перед его полной разрядкой. Обязательно прекратите работу с инструментом и зарядите блок аккумуляторов, если вы заметили снижение мощности инструмента.
2. Никогда не подзаряжайте полностью заряженный блок аккумуляторов. Перезарядка сокращает срок службы аккумулятора.
3. Заряжайте блок аккумуляторов при комнатной температуре в 10 - 40 °C (50 - 104 °F). Перед зарядкой горячего блока аккумуляторов дайте ему остыть.
4. Зарядите ионно-литиевый аккумуляторный блок, если вы не будете пользоваться инструментом длительное время (более шести месяцев).

ОПИСАНИЕ РАБОТЫ

⚠ВНИМАНИЕ: Перед регулировкой или проверкой функций инструмента обязательно убедитесь, что он выключен и его аккумуляторный блок снят.

Установка или снятие блока аккумулятора

⚠ВНИМАНИЕ: Обязательно выключайте инструмент перед установкой и извлечением аккумуляторного блока.

⚠ВНИМАНИЕ: При установке и извлечении аккумуляторного блока крепко удерживайте инструмент и аккумуляторный блок. Если не соблюдать это требование, они могут выскользнуть из рук, что приведет к повреждению инструмента, аккумуляторного блока и травмированию оператора.

► **Рис.1:** 1. Красный индикатор 2. Кнопка 3. Блок аккумулятора

Для снятия аккумуляторного блока нажмите кнопку на лицевой стороне и извлеките блок.

Для установки аккумуляторного блока совместите выступ аккумуляторного блока с пазом в корпусе и задвиньте его на место. Устанавливайте блок до упора так, чтобы он зафиксировался на месте с небольшим щелчком. Если вы можете видеть красный индикатор на верхней части клавиши, адаптер аккумулятора не полностью установлен на месте.

⚠ВНИМАНИЕ: Обязательно устанавливайте аккумуляторный блок до конца, чтобы красный индикатор не был виден. В противном случае аккумуляторный блок может выпасть из инструмента и нанести травму вам или другим людям.

⚠ВНИМАНИЕ: Не прилагайте чрезмерных усилий при установке аккумуляторного блока. Если блок не двигается свободно, значит он вставлен неправильно.

Система защиты инструмента/аккумулятора

На инструменте предусмотрена система защиты инструмента/аккумулятора. Она автоматически отключает питание двигателя для продления срока службы инструмента и аккумулятора. Инструмент автоматически остановится во время работы в следующих случаях:

Защита от перегрузки

Если из-за способа эксплуатации инструмент/аккумулятор потребляет очень большое количество тока, он автоматически остановится без включения каких-либо индикаторов. В этом случае выключите инструмент и прекратите работу, повлекшую перегрузку инструмента. Затем включите инструмент для перезапуска.

Защита от перегрева

При перегреве инструмента/аккумулятора инструмент останавливается автоматически. В этом случае дайте инструменту/аккумулятору остыть перед повторным включением.

Защита от переразрядки
















При истощении емкости аккумулятора инструмент автоматически останавливается. В этом случае извлеките аккумулятор из инструмента и зарядите его.

Индикация оставшегося заряда аккумулятора

Только для блоков аккумулятора с индикатором

► **Рис.2:** 1. Индикаторы 2. Кнопка проверки

Нажмите кнопку проверки на аккумуляторном блоке для проверки заряда. Индикаторы загорятся на несколько секунд.

Индикаторы			Уровень заряда
 Горит	 Выкл.	 Мигает	
			от 75 до 100%
			от 50 до 75%
			от 25 до 50%
			от 0 до 25%
			Зарядите аккумуляторную батарею.
 	 		Возможно, аккумуляторная батарея неисправна.

ПРИМЕЧАНИЕ: В зависимости от условий эксплуатации и температуры окружающего воздуха индикация может незначительно отличаться от фактического значения.

Кнопка блокировки триггерного переключателя

⚠ВНИМАНИЕ: Перед установкой аккумуляторного блока в инструмент обязательно убедитесь, что его триггерный переключатель нормально работает и возвращается в положение "OFF" (ВЫКЛ) при отпускании.

⚠ВНИМАНИЕ: Если инструмент не используется, нажмите на кнопку блокировки триггерного переключателя со стороны В для его блокирования в положении OFF (ВЫКЛ).

- **Рис.3:** 1. Кнопка блокировки триггерного переключателя 2. Триггерный переключатель

► **Рис.4**

Для предотвращения случайного нажатия на триггерный переключатель он оборудован кнопкой блокировки.

Чтобы активировать триггерный переключатель, нажмите на кнопку блокировки со стороны А. После использования всегда нажимайте на кнопку блокировки триггерного переключателя со стороны В.

Регулировка глубины забивания гвоздя

▲ОСТОРОЖНО: Прежде чем регулировать глубину забивания крепежа, всегда проверяйте, чтобы пальцы не находились на триггерном переключателе или на контактном элементе, а также чтобы блок аккумулятора был извлечен.

В этом гвоздезабивном пистолете предусмотрена регулировка глубины забивания гвоздей. Для настройки глубины забивания гвоздей поверните регулятор. Глубина забивания гвоздей наибольшая, когда регулятор полностью повернут в направлении А, как показано на рисунке. Повернув регулятор в направлении В, можно уменьшить глубину забивания. Глубину можно регулировать от 2,5 мм до максимума.

- **Рис.5:** 1. Регулятор

- **Рис.6:** 1. Чрезмерная глубина 2. Нормальная глубина 3. Недостаточная глубина

Включение лампы

▲ВНИМАНИЕ: Не смотрите непосредственно на свет или источник света.

Нажмите на триггерный переключатель или активируйте контактный элемент, чтобы включить лампу. Лампа будет гореть, пока нажат триггерный переключатель или активен контактный элемент. Лампа гаснет примерно через 10 секунд после отпускания триггерного переключателя или деактивации контактного элемента.

- **Рис.7:** 1. Лампа

ПРИМЕЧАНИЕ: Для удаления пыли с линзы лампы используйте сухую ткань. Не допускайте возникновения царапин на линзе лампы, так как это приведет к снижению освещенности.

ПРИМЕЧАНИЕ: При малом остаточном заряде аккумулятора возможно, что гвоздезабивной пистолет не будет забивать гвозди даже в том случае, если горит лампа. В этом случае зарядите блок аккумулятора.

ПРИМЕЧАНИЕ: Если во время забивания гвоздя с помощью гвоздезабивного пистолета будет обнаружена ошибка, лампа начнет мигать. В этом случае следует передать гвоздезабивной пистолет в сервисный центр предприятия.

СБОРКА

▲ВНИМАНИЕ: Прежде чем выполнять какие-либо работы с гвоздезабивным пистолетом, уберите пальцы с триггерного переключателя или контактного элемента, а также извлеките блок аккумулятора.

Загрузка или разгрузка гвоздей

▲ВНИМАНИЕ: Прежде чем заряжать гвоздезабивной пистолет гвоздями, уберите пальцы с переключателя и блока аккумулятора.

▲ВНИМАНИЕ: Не смещайте резким движением сдвижную крышку гвоздезабивного пистолета, заряженного гвоздями. Случайное выпадение гвоздей, особенно при работе на высоте, может привести к травмам.

▲ВНИМАНИЕ: Заряжайте гвозди в правильном направлении. Зарядание гвоздей в неправильном направлении может привести к преждевременному износу воротка и повреждению других частей.

▲ВНИМАНИЕ: Не используйте деформированные обоймы гвоздей. Используйте только те гвозди, которые указаны в этом руководстве. Использование гвоздей другого типа может привести к застреванию гвоздей и поломке гвоздезабивного пистолета.

1. Нажмите на рычаг и откройте сдвижную крышку магазина.

- **Рис.8:** 1. Стопорный рычаг 2. Сдвижная крышка 3. Направляющая воротка 4. Магазин

2. Установите обойму гвоздей таким образом, чтобы концы гвоздей касались нижней части магазина, и сдвиньте обойму гвоздей по направлению к выпускному отверстию.

- **Рис.9:** 1. Гвозди 2. Сдвижная крышка 3. Направляющая воротка

3. Сместите сдвижную крышку в исходное положение до фиксации рычагом блокировки.

Для удаления гвоздей нажмите рычаг блокировки и сдвиньте крышку. Извлеките гвозди из магазина.

Адаптер головки

▲ВНИМАНИЕ: Прежде чем устанавливать адаптер головки, всегда проверяйте, чтобы пальцы не находились на триггерном переключателе или на контактном элементе, а также чтобы блок аккумулятора был извлечен.

При забивании гвоздей в материал с легкоповреждаемой поверхностью используйте адаптер головки. Чтобы прикрепить адаптер головки, надвиньте его на крышку направляющей воротки до конца. Адаптер головки можно хранить в держателе в задней части магазина, чтобы не потерять его.

- **Рис.10:** 1. Адаптер головки 2. Держатель

Крючок

⚠ ВНИМАНИЕ: Не цепляйте крючок на пояс-ной ремень. Падение гвоздезабивного пистолета в случае внезапного отсоединения крючка может стать причиной случайного срабатывания и нанесения травм.

► Рис.11

Крючок удобен для временного подвешивания инструмента. Он может быть установлен с любой стороны инструмента.

Для установки крючка вставьте его в паз в корпусе инструмента с одной из сторон и закрепите при помощи винта. Чтобы снять крючок, необходимо сначала отвернуть винт.

► Рис.12: 1. Паз 2. Крючок 3. Винт

Хранение шестигранного ключа

Когда шестигранный ключ не используется, храните его, как показано на рисунке, чтобы не потерять.

► Рис.13: 1. Шестигранный ключ

ЭКСПЛУАТАЦИЯ

Проверка системы защиты

⚠ ОСТОРОЖНО: Перед началом эксплуатации проверьте исправность всех систем защиты. Несоблюдение этого требования может стать причиной травмы.

► Рис.14: 1. Кнопка блокировки триггерного переключателя 2. Триггерный переключатель 3. Контактный элемент 4. Магазин

Прежде чем приступить к работе, проверьте исправность систем защиты следующим образом.

1. Извлеките гвозди из инструмента и оставьте магазин открытым.
2. Установите блок аккумулятора и отключите блокировку триггерного переключателя.
3. Потяните триггерный переключатель, убедитесь, что контактный элемент не соприкасается с материалом.
4. Если контактный элемент соприкасается с материалом, не нажимайте на триггерный переключатель.

Если инструмент срабатывает при соблюдении условий 3 и 4, описанных выше, системы защиты неисправны. Немедленно прекратите эксплуатацию инструмента и обратитесь в местный сервисный центр.

Забивание гвоздей

⚠ ОСТОРОЖНО: Плотно удерживайте контактный элемент на материале до полной установки гвоздя. Случайное срабатывание может привести к травмам.

1. Отключение блокировки триггерного переключателя.
2. Ровно разместите контактный элемент на поверхности материала.
3. Нажмите на триггерный переключатель до упора, чтобы забить гвоздь.
4. Чтобы забить следующий гвоздь, уберите палец с триггерного переключателя, а затем повторите шаги 2 и 3, указанные выше.

► Рис.15: 1. Триггерный переключатель 2. Контактный элемент

Также гвозди можно забивать, перетаскивая инструмент на ближайшую область, при этом необходимо прижать контактный элемент к материалу и нажать на триггерный переключатель.

► Рис.16

Если верх гвоздя остался над поверхностью материала, забейте гвоздь, крепко прижимая головку гвоздезабивного пистолета к обрабатываемой детали.

► Рис.17

ПРИМЕЧАНИЕ: Если головка гвоздя все еще находится над поверхностью материала, даже если вы прижимаете ее с помощью головки гвоздезабивного пистолета, материал может не подходить для гвоздезабивного пистолета. Использование гвоздезабивного пистолета на таком материале может привести к повреждению воротка пистолета и/или к заклиниванию пистолета.

Механизм предотвращения "холостого выстрела"

⚠ ОСТОРОЖНО: Прежде чем зарядить гвоздезабивной пистолет, уберите пальцы с триггерного переключателя или с контактного элемента, а также извлеките блок аккумулятора.

Если в магазине не осталось гвоздей, триггерный переключатель не нажимается. В этом случае следует загрузить в магазин новую обойму гвоздей. После этого триггерный переключатель снова будет срабатывать.

Проверка количества оставшихся гвоздей

Количество оставшихся гвоздей можно проверить через смотровое окно.

По мере уменьшения количества гвоздей красный индикатор будет перемещаться к выпускному отверстию.

► Рис.18: 1. Смотровое окно 2. Индикатор

Извлечение застрявших гвоздей

⚠ ОСТОРОЖНО: Перед удалением застрявших гвоздей убедитесь в том, что переключатель отпущен, а блок аккумулятора и гвозди извлечены.

⚠ ВНИМАНИЕ: Не удаляйте застрявшие гвозди голыми руками. Гвоздь может выпасть из магазина и причинить травму.

Удалите болты с шестигранными головками с крышки направляющей воротка шестигранным ключом.

Извлеките застрявшие гвозди из паза для подачи гвоздей шлицевой отверткой.

Закрепите крышку направляющей воротка болтами с шестигранными головками.

- **Рис.19:** 1. Крышка направляющей воротка
2. Болт с шестигранной головкой

ПРИМЕЧАНИЕ: Закрепив крышку направляющей воротка, убедитесь в правильности ее работы. Если она не работает правильно, удалите болты с шестигранными головками и установите на место крышку направляющей воротка.

ОБСЛУЖИВАНИЕ

⚠ ВНИМАНИЕ: Перед проведением проверки или работ по техобслуживанию всегда проверяйте, что инструмент выключен, а блок аккумулятора снят.

ПРИМЕЧАНИЕ: Запрещается использовать бензин, растворители, спирт и другие подобные жидкости. Это может привести к обесцвечиванию, деформации и трещинам.

Для обеспечения БЕЗОПАСНОСТИ и НАДЕЖНОСТИ оборудования ремонт, любое другое техобслуживание или регулировку необходимо производить в уполномоченных сервис-центрах Makita или сервис-центрах предприятия с использованием только сменных частей производства Makita.

ДОПОЛНИТЕЛЬНЫЕ ПРИНАДЛЕЖНОСТИ

⚠ ВНИМАНИЕ: Данные принадлежности или приспособления рекомендуются для использования с инструментом Makita, указанным в настоящем руководстве. Использование других принадлежностей или приспособлений может привести к получению травмы. Используйте принадлежность или приспособление только по указанному назначению.

Если вам необходимо содействие в получении дополнительной информации по этим принадлежностям, свяжитесь с вашим сервис-центром Makita.

- Гвозди
- Оригинальный аккумулятор и зарядное устройство Makita
- Защитные очки

ПРИМЕЧАНИЕ: Некоторые элементы списка могут входить в комплект инструмента в качестве стандартных приспособлений. Они могут отличаться в зависимости от страны.

Makita Europe N.V. Jan-Baptist Vinkstraat 2,
3070 Kortenberg, Belgium

Makita Corporation 3-11-8, Sumiyoshi-cho,
Anjo, Aichi 446-8502 Japan

www.makita.com

885709-988
EN, SV, NO, FI, LV,
LT, ET, RU
20190125