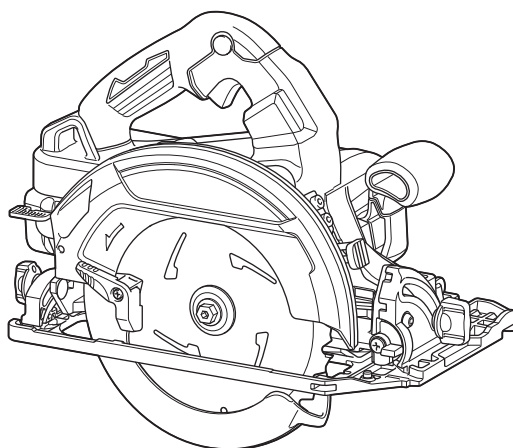




EN	Cordless Circular Saw	INSTRUCTION MANUAL	10
FR	Scie Circulaire sans Fil	MANUEL D'INSTRUCTIONS	23
DE	Akku-Handkreissäge	BETRIEBSANLEITUNG	37
IT	Sega circolare a batteria	ISTRUZIONI PER L'USO	53
NL	Accucirkelzaag	GEBRUIKSAANWIJZING	69
ES	Sierra Circular Inalámbrica	MANUAL DE INSTRUCCIONES	84
PT	Serra Circular a Bateria	MANUAL DE INSTRUÇÕES	99
DA	Ledningsfri rundsav	BRUGSANVISNING	114
EL	Φορητό δισκοπρίονο	ΕΓΧΕΙΡΙΔΙΟ ΟΔΗΓΙΩΝ	127
TR	Akülü Sunta Kesme	KULLANMA KILAVUZU	143

**DHS782**  
**DHS783**



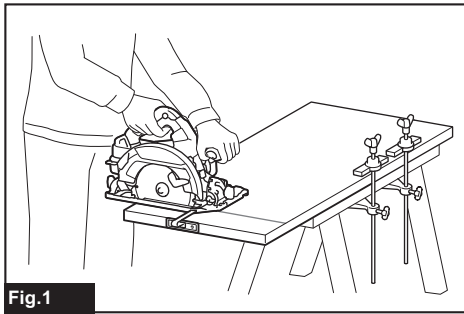


Fig.1

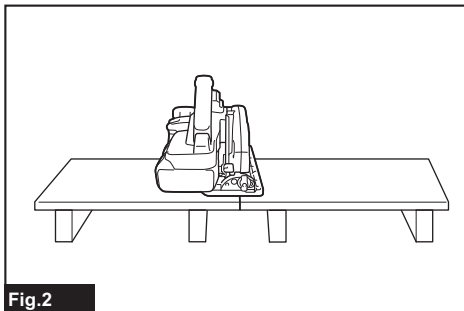


Fig.2

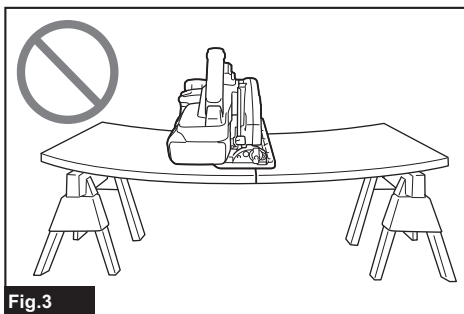


Fig.3

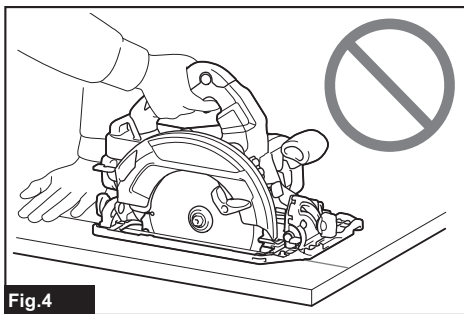


Fig.4

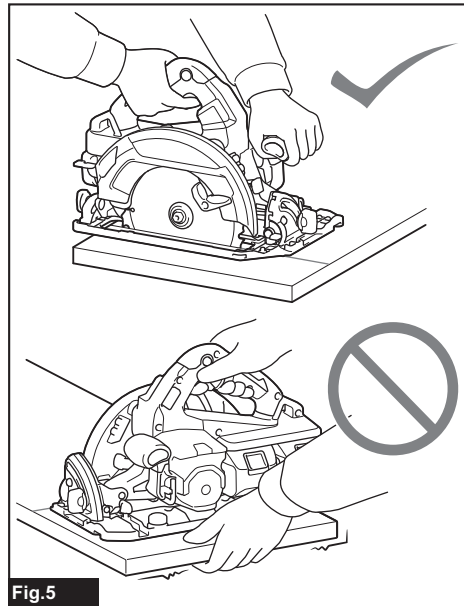


Fig.5

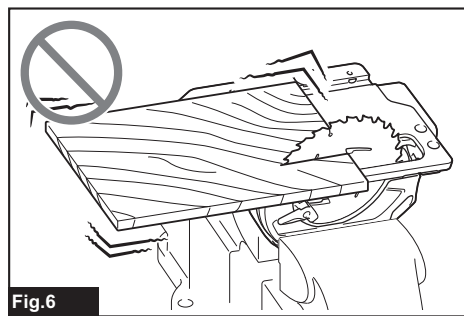


Fig.6

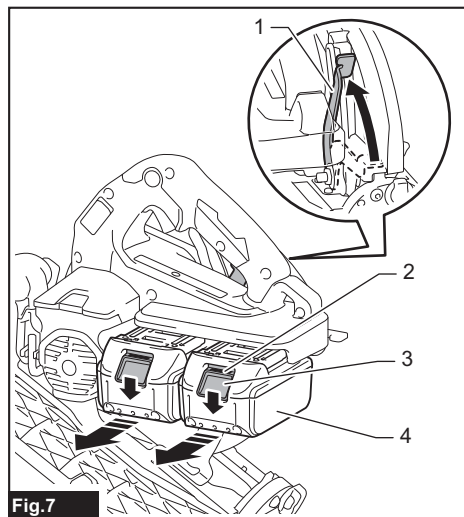


Fig.7

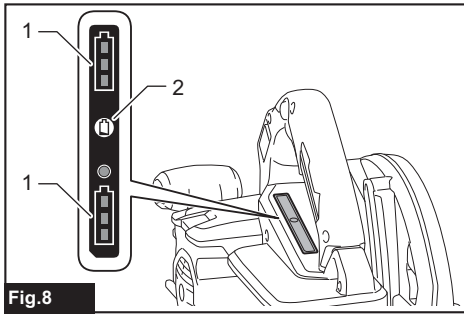


Fig. 8

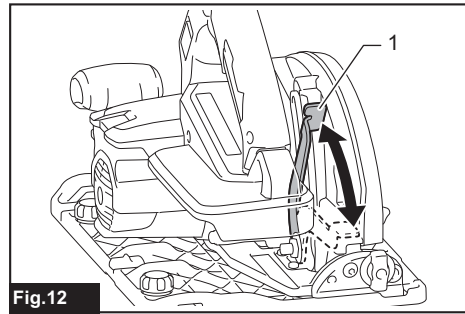


Fig. 12

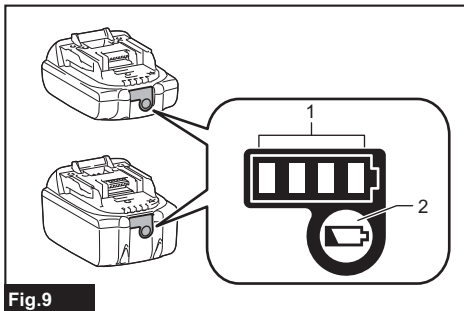


Fig. 9

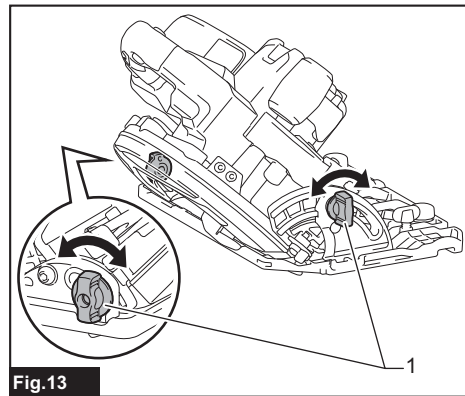


Fig. 13

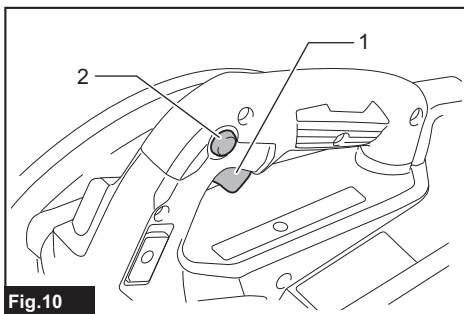


Fig. 10

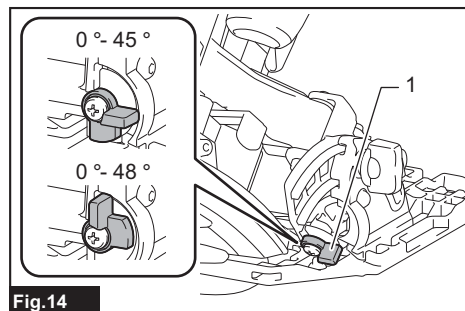


Fig. 14

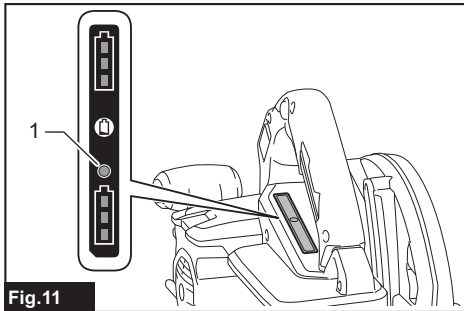


Fig. 11

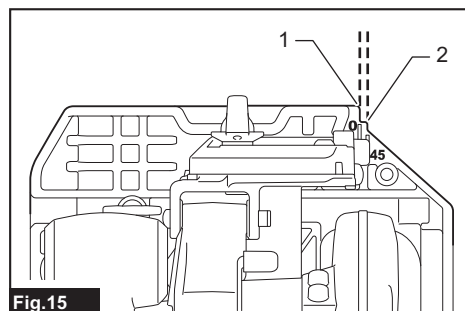


Fig. 15

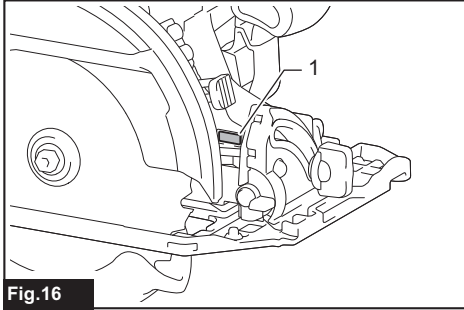


Fig.16

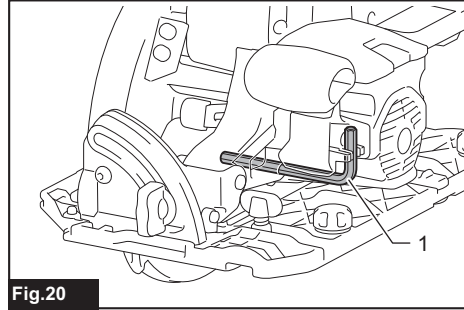


Fig.20

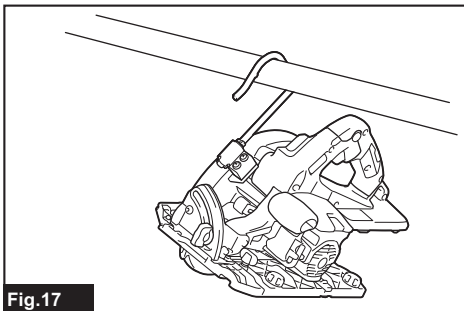


Fig.17

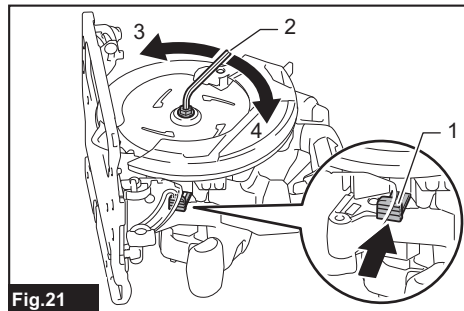


Fig.21

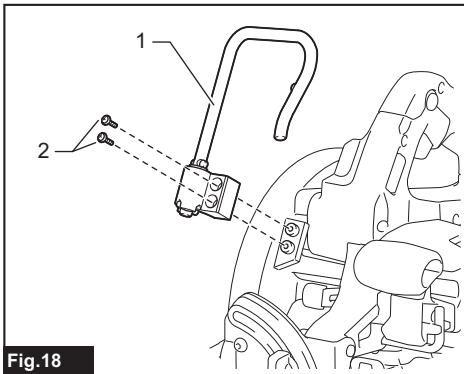


Fig.18

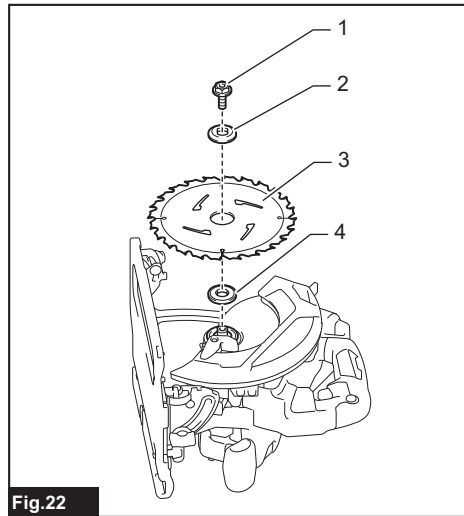


Fig.22

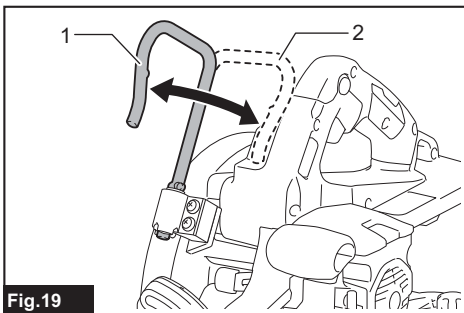


Fig.19

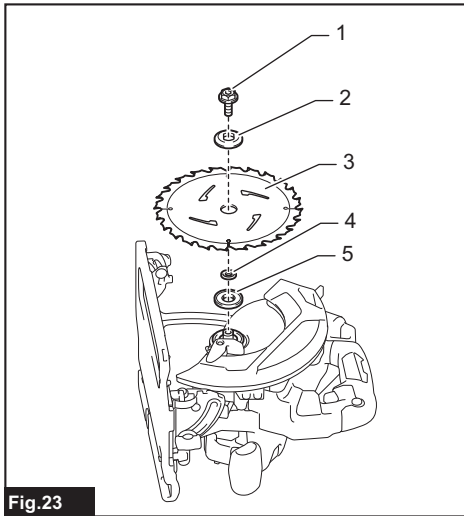


Fig.23

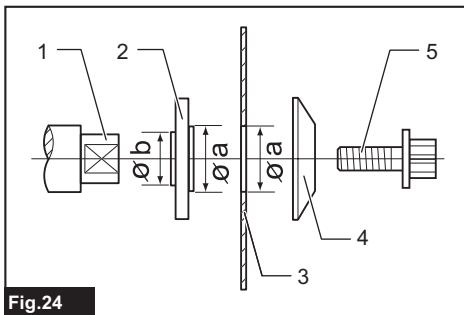


Fig.24

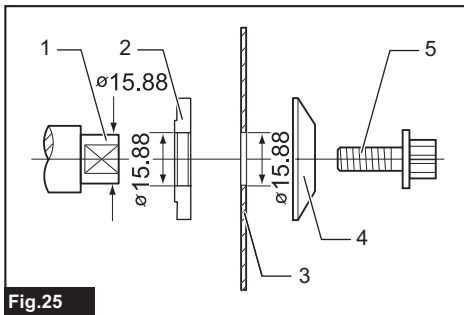


Fig.25

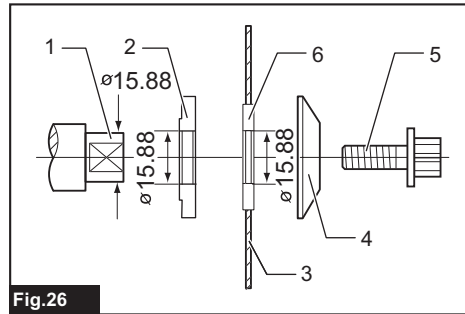


Fig.26

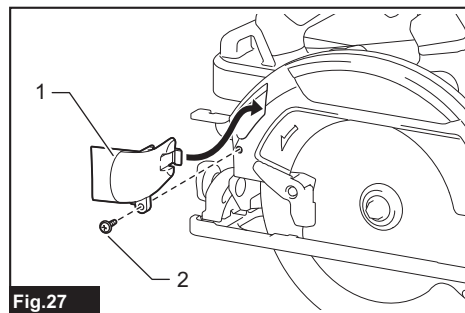


Fig.27

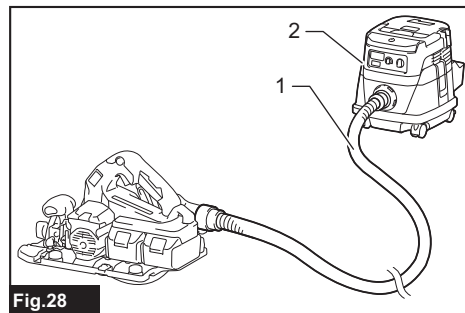


Fig.28

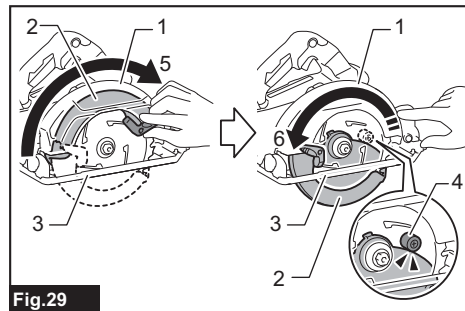


Fig.29

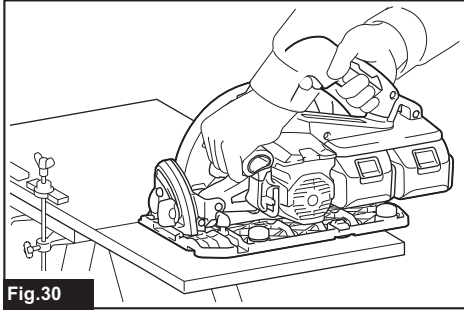


Fig.30

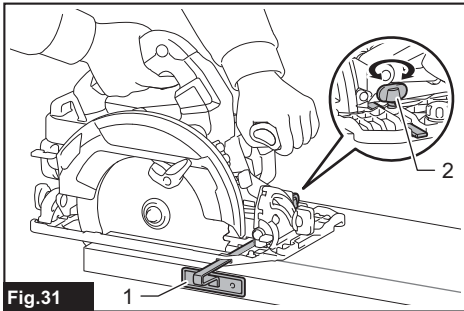


Fig.31

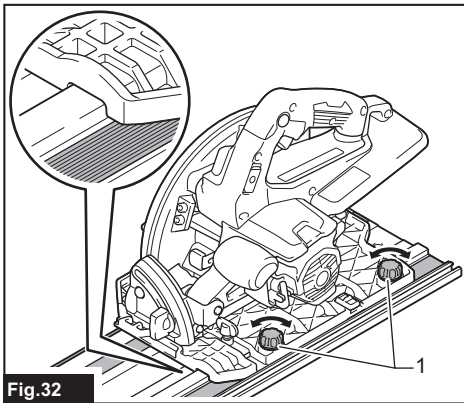


Fig.32

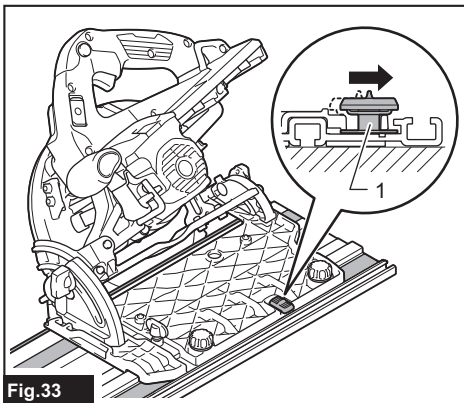


Fig.33

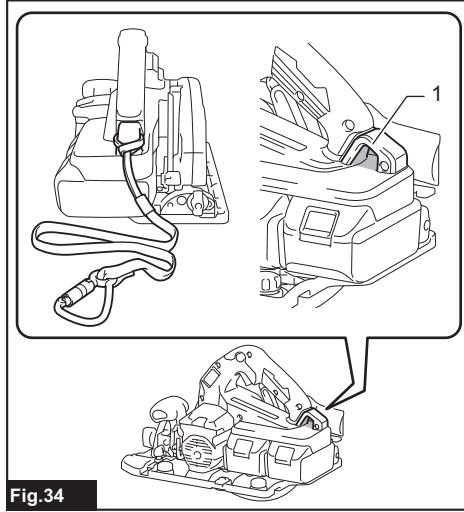


Fig.34

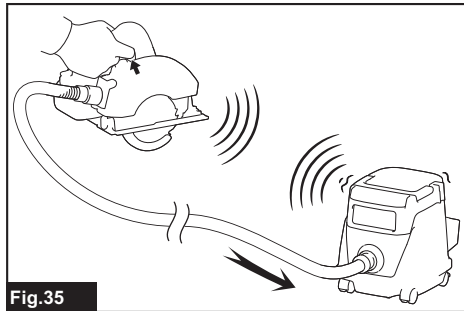


Fig.35

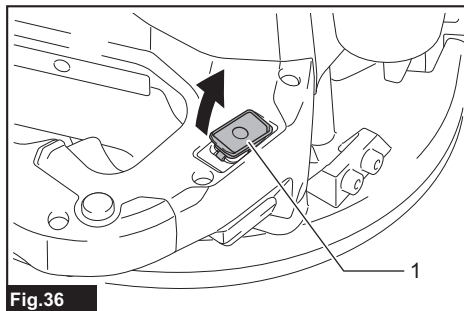


Fig.36

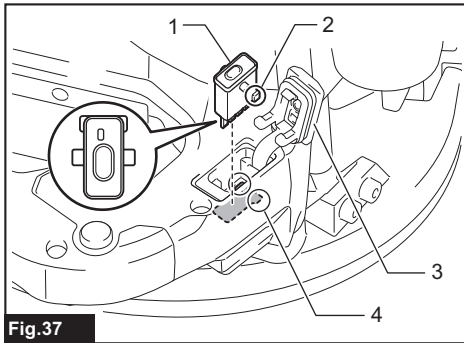


Fig.37

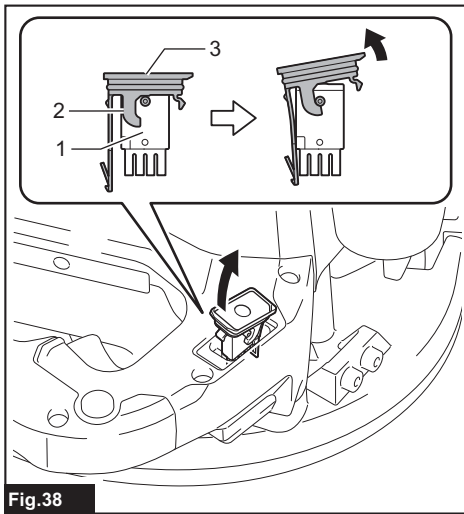


Fig.38

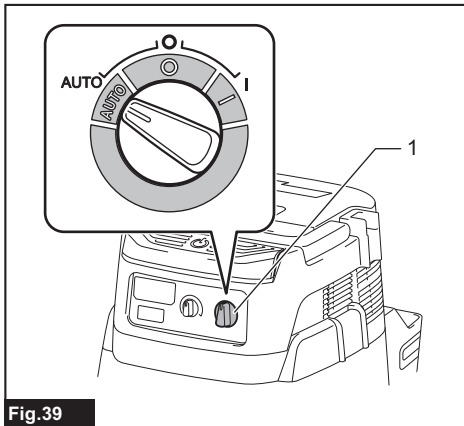


Fig.39

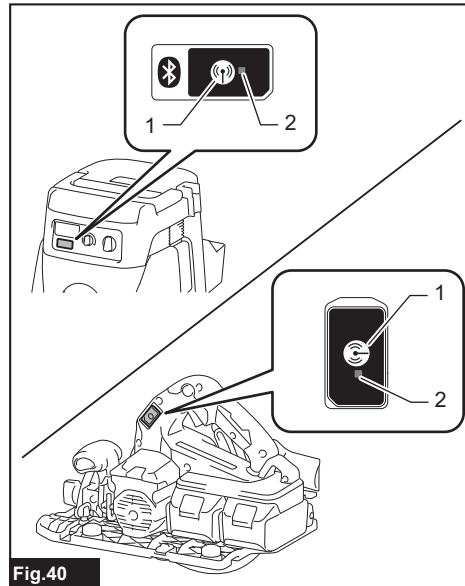


Fig.40

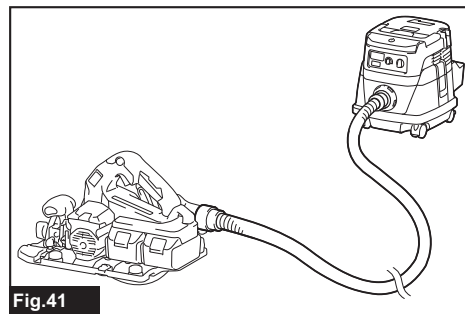


Fig.41

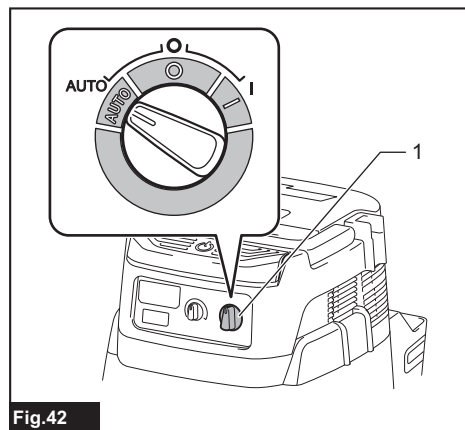


Fig.42

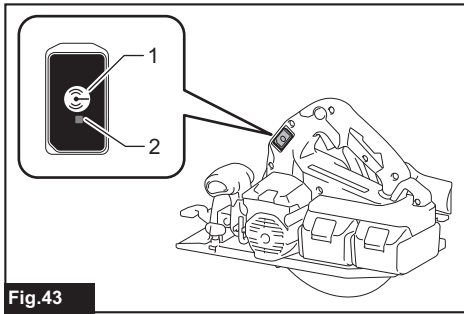


Fig.43

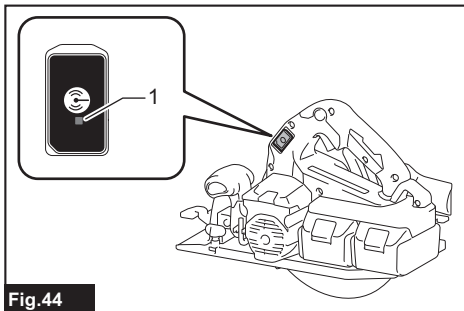


Fig.44

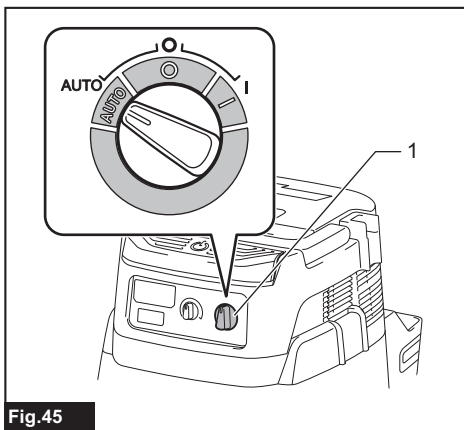


Fig.45

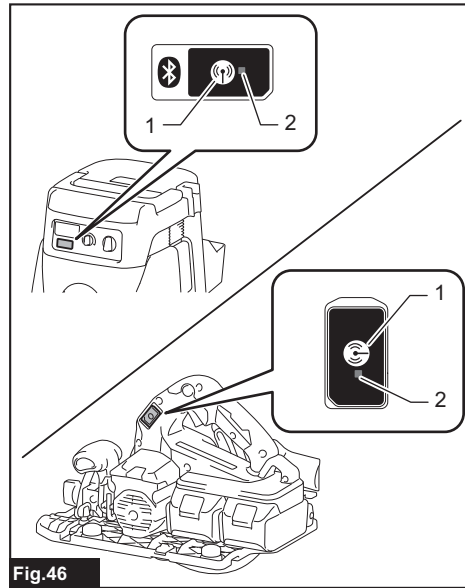


Fig.46

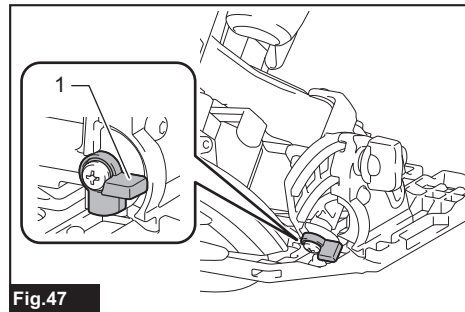


Fig.47

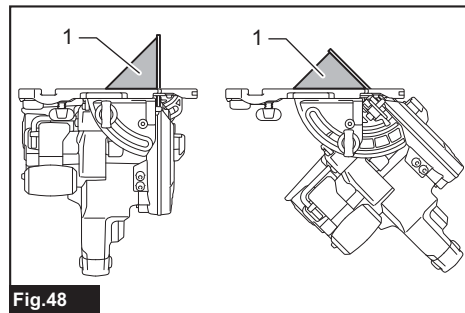


Fig.48



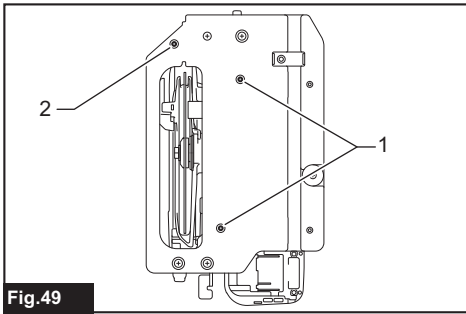


Fig.49

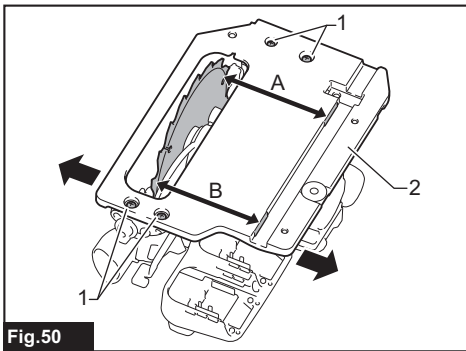


Fig.50

## ENGLISH (Original instructions)

### SPECIFICATIONS

Model:	DHS782	DHS783
Blade diameter	185 - 190 mm	
Max. Cutting depth	at 0°	60.0 - 62.5 mm
	at 45° bevel	43.0 - 44.5 mm
	at 48° bevel	41.0 - 42.0 mm
No load speed	6,000 min <sup>-1</sup>	
Overall length	348 mm	
Rated voltage	D.C. 36 V	
Net weight	4.5 - 5.1 kg	

- Due to our continuing program of research and development, the specifications herein are subject to change without notice.
- Specifications and battery cartridge may differ from country to country.
- The weight may differ depending on the attachment(s), including the battery cartridge. The lightest and heaviest combinations, according to EPTA-Procedure 01/2014, are shown in the table.

#### Applicable battery cartridge and charger

Battery cartridge	BL1815N / BL1820 / BL1820B / BL1830 / BL1830B / BL1840 / BL1840B / BL1850 / BL1850B / BL1860B
Charger	DC18RC / DC18RD / DC18RE / DC18SD / DC18SE / DC18SF

- Some of the battery cartridges and chargers listed above may not be available depending on your region of residence.

**⚠WARNING:** Only use the battery cartridges and chargers listed above. Use of any other battery cartridges and chargers may cause injury and/or fire.

#### Intended use

The tool is intended for performing lengthways and crossways straight cuts and miter cuts with angles in wood while in firm contact with the workpiece. With appropriate Makita genuine saw blades, other materials can also be sawed.

#### Noise

The typical A-weighted noise level determined according to EN62841-2-5:

##### Model DHS782

Sound pressure level ( $L_{pA}$ ): 93 dB(A)  
 Sound power level ( $L_{WA}$ ): 104 dB (A)  
 Uncertainty (K): 3 dB(A)

##### Model DHS783

Sound pressure level ( $L_{pA}$ ): 93 dB(A)  
 Sound power level ( $L_{WA}$ ): 104 dB (A)  
 Uncertainty (K): 3 dB(A)

**NOTE:** The declared noise emission value(s) has been measured in accordance with a standard test method and may be used for comparing one tool with another.

**NOTE:** The declared noise emission value(s) may also be used in a preliminary assessment of exposure.

**⚠WARNING:** Wear ear protection.

**⚠WARNING:** The noise emission during actual use of the power tool can differ from the declared value(s) depending on the ways in which the tool is used especially what kind of workpiece is processed.

**⚠WARNING:** Be sure to identify safety measures to protect the operator that are based on an estimation of exposure in the actual conditions of use (taking account of all parts of the operating cycle such as the times when the tool is switched off and when it is running idle in addition to the trigger time).

#### Vibration

The vibration total value (tri-axial vector sum) determined according to EN62841-2-5:

##### Model DHS782

Work mode: cutting wood  
 Vibration emission ( $a_{h,W}$ ): 2.5 m/s<sup>2</sup> or less  
 Uncertainty (K): 1.5 m/s<sup>2</sup>

Work mode: cutting metal  
 Vibration emission ( $a_{h,M}$ ): 2.5 m/s<sup>2</sup> or less  
 Uncertainty (K): 1.5 m/s<sup>2</sup>

##### Model DHS783

Work mode: cutting wood  
 Vibration emission ( $a_{h,W}$ ): 2.5 m/s<sup>2</sup> or less  
 Uncertainty (K): 1.5 m/s<sup>2</sup>

Work mode: cutting metal  
 Vibration emission ( $a_{h,M}$ ): 2.5 m/s<sup>2</sup> or less  
 Uncertainty (K): 1.5 m/s<sup>2</sup>

**NOTE:** The declared vibration total value(s) has been measured in accordance with a standard test method and may be used for comparing one tool with another.

**NOTE:** The declared vibration total value(s) may also be used in a preliminary assessment of exposure.

**⚠ WARNING:** The vibration emission during actual use of the power tool can differ from the declared value(s) depending on the ways in which the tool is used especially what kind of workpiece is processed.

**⚠ WARNING:** Be sure to identify safety measures to protect the operator that are based on an estimation of exposure in the actual conditions of use (taking account of all parts of the operating cycle such as the times when the tool is switched off and when it is running idle in addition to the trigger time).

## EC Declaration of Conformity

### For European countries only

The EC declaration of conformity is included as Annex A to this instruction manual.

## SAFETY WARNINGS

### General power tool safety warnings

**⚠ WARNING:** Read all safety warnings, instructions, illustrations and specifications provided with this power tool. Failure to follow all instructions listed below may result in electric shock, fire and/or serious injury.

### Save all warnings and instructions for future reference.

The term "power tool" in the warnings refers to your mains-operated (corded) power tool or battery-operated (cordless) power tool.

### Cordless circular saw safety warnings

#### Cutting procedures

- ⚠ DANGER:** Keep hands away from cutting area and the blade. Keep your second hand on auxiliary handle, or motor housing. If both hands are holding the saw, they cannot be cut by the blade.
- Do not reach underneath the workpiece.** The guard cannot protect you from the blade below the workpiece.
- Adjust the cutting depth to the thickness of the workpiece.** Less than a full tooth of the blade teeth should be visible below the workpiece.
- Never hold the workpiece in your hands or across your leg while cutting. Secure the workpiece to a stable platform.** It is important to support the work properly to minimise body exposure, blade binding, or loss of control.

#### ► Fig.1

- Hold the power tool by insulated gripping surfaces, when performing an operation where the cutting tool may contact hidden wiring.** Contact with a "live" wire will also make exposed metal parts of the power tool "live" and could give the operator an electric shock.
- When ripping, always use a rip fence or straight edge guide.** This improves the accuracy of cut and reduces the chance of blade binding.
- Always use blades with correct size and shape (diamond versus round) of arbour holes.** Blades that do not match the mounting hardware of the saw will run off-centre, causing loss of control.
- Never use damaged or incorrect blade washers or bolt.** The blade washers and bolt were specially designed for your saw, for optimum performance and safety of operation.

#### Kickback causes and related warnings

- kickback is a sudden reaction to a pinched, jammed or misaligned saw blade, causing an uncontrolled saw to lift up and out of the workpiece toward the operator;
- when the blade is pinched or jammed tightly by the kerf closing down, the blade stalls and the motor reaction drives the unit rapidly back toward the operator;
- if the blade becomes twisted or misaligned in the cut, the teeth at the back edge of the blade can dig into the top surface of the wood causing the blade to climb out of the kerf and jump back toward the operator.

Kickback is the result of saw misuse and/or incorrect operating procedures or conditions and can be avoided by taking proper precautions as given below.

- Maintain a firm grip with both hands on the saw and position your arms to resist kickback forces. Position your body to either side of the blade, but not in line with the blade.** Kickback could cause the saw to jump backwards, but kickback forces can be controlled by the operator, if proper precautions are taken.
- When blade is binding, or when interrupting a cut for any reason, release the trigger and hold the saw motionless in the material until the blade comes to a complete stop. Never attempt to remove the saw from the work or pull the saw backward while the blade is in motion or kickback may occur.** Investigate and take corrective actions to eliminate the cause of blade binding.
- When restarting a saw in the workpiece, centre the saw blade in the kerf so that the saw teeth are not engaged into the material.** If a saw blade binds, it may walk up or kickback from the workpiece as the saw is restarted.
- Support large panels to minimise the risk of blade pinching and kickback.** Large panels tend to sag under their own weight. Supports must be placed under the panel on both sides, near the line of cut and near the edge of the panel.

#### ► Fig.2

#### ► Fig.3

- Do not use dull or damaged blades.** Unsharpened or improperly set blades produce narrow kerf causing excessive friction, blade binding and kickback.

6. **Blade depth and bevel adjusting locking levers must be tight and secure before making the cut.** If blade adjustment shifts while cutting, it may cause binding and kickback.
7. **Use extra caution when sawing into existing walls or other blind areas.** The protruding blade may cut objects that can cause kickback.
8. **ALWAYS hold the tool firmly with both hands. NEVER place your hand, leg or any part of your body under the tool base or behind the saw, especially when making cross-cuts.** If kickback occurs, the saw could easily jump backwards over your hand, leading to serious personal injury.

► **Fig.4**

9. **Never force the saw. Push the saw forward at a speed so that the blade cuts without slowing.** Forcing the saw can cause uneven cuts, loss of accuracy, and possible kickback.

**Lower guard function**

1. **Check the lower guard for proper closing before each use. Do not operate the saw if the lower guard does not move freely and close instantly. Never clamp or tie the lower guard into the open position.** If the saw is accidentally dropped, the lower guard may be bent. Raise the lower guard with the retracting handle and make sure it moves freely and does not touch the blade or any other part, in all angles and depths of cut.
2. **Check the operation of the lower guard spring. If the guard and the spring are not operating properly, they must be serviced before use.** Lower guard may operate sluggishly due to damaged parts, gummy deposits, or a build-up of debris.
3. **The lower guard may be retracted manually only for special cuts such as "plunge cuts" and "compound cuts".** Raise the lower guard by the retracting handle and as soon as the blade enters the material, the lower guard must be released. For all other sawing, the lower guard should operate automatically.
4. **Always observe that the lower guard is covering the blade before placing the saw down on bench or floor.** An unprotected, coasting blade will cause the saw to walk backwards, cutting whatever is in its path. Be aware of the time it takes for the blade to stop after switch is released.
5. **To check lower guard, open lower guard by hand, then release and watch guard closure. Also check to see that retracting handle does not touch tool housing.** Leaving blade exposed is VERY DANGEROUS and can lead to serious personal injury.

**Additional safety warnings**

1. **Use extra caution when cutting damp wood, pressure treated lumber, or wood containing knots.** Maintain smooth advancement of tool without decrease in blade speed to avoid overheating the blade tips.
2. **Do not attempt to remove cut material when blade is moving. Wait until blade stops before grasping cut material.** Blades coast after turn off.
3. **Avoid cutting nails. Inspect for and remove all nails from lumber before cutting.**
4. **Place the wider portion of the saw base on that part of the workpiece which is solidly supported, not on the section that will fall off when the cut is made. If the workpiece is short or small, clamp it down. DO NOT TRY TO HOLD SHORT PIECES BY HAND!**

► **Fig.5**

5. **Before setting the tool down after completing a cut, be sure that the guard has closed and the blade has come to a complete stop.**
6. **Never attempt to saw with the circular saw held upside down in a vise. This is extremely dangerous and can lead to serious accidents.**

► **Fig.6**

7. **Some material contains chemicals which may be toxic. Take caution to prevent dust inhalation and skin contact. Follow material supplier safety data.**
8. **Do not stop the blades by lateral pressure on the saw blade.**
9. **Do not use any abrasive wheels.**
10. **Only use the saw blade with the diameter that is marked on the tool or specified in the manual.** Use of an incorrectly sized blade may affect the proper guarding of the blade or guard operation which could result in serious personal injury.
11. **Keep blade sharp and clean.** Gum and wood pitch hardened on blades slows saw and increases potential for kickback. Keep blade clean by first removing it from tool, then cleaning it with gum and pitch remover, hot water or kerosene. Never use gasoline.
12. **Wear a dust mask and hearing protection when use the tool.**
13. **Always use the saw blade intended for cutting the material that you are going to cut.**
14. **Only use the saw blades that are marked with a speed equal or higher than the speed marked on the tool.**
15. **(For European countries only)**  
Always use the blade which conforms to EN847-1.

**SAVE THESE INSTRUCTIONS.**

**⚠WARNING:** DO NOT let comfort or familiarity with product (gained from repeated use) replace strict adherence to safety rules for the subject product. MISUSE or failure to follow the safety rules stated in this instruction manual may cause serious personal injury.

**Important safety instructions for battery cartridge**

1. **Before using battery cartridge, read all instructions and cautionary markings on (1) battery charger, (2) battery, and (3) product using battery.**
2. **Do not disassemble battery cartridge.**
3. **If operating time has become excessively shorter, stop operating immediately. It may result in a risk of overheating, possible burns and even an explosion.**
4. **If electrolyte gets into your eyes, rinse them out with clear water and seek medical attention right away. It may result in loss of your eyesight.**
5. **Do not short the battery cartridge:**
  - (1) **Do not touch the terminals with any conductive material.**
  - (2) **Avoid storing battery cartridge in a container with other metal objects such as nails, coins, etc.**
  - (3) **Do not expose battery cartridge to water or rain.**

- A battery short can cause a large current flow, overheating, possible burns and even a breakdown.
- Do not store the tool and battery cartridge in locations where the temperature may reach or exceed 50 °C (122 °F).

- Do not incinerate the battery cartridge even if it is severely damaged or is completely worn out. The battery cartridge can explode in a fire.

- Be careful not to drop or strike battery.

- Do not use a damaged battery.

- The contained lithium-ion batteries are subject to the Dangerous Goods Legislation requirements.

For commercial transports e.g. by third parties, forwarding agents, special requirement on packaging and labeling must be observed.

For preparation of the item being shipped, consulting an expert for hazardous material is required. Please also observe possibly more detailed national regulations.

Tape or mask off open contacts and pack up the battery in such a manner that it cannot move around in the packaging.

- Follow your local regulations relating to disposal of battery.

- Use the batteries only with the products specified by Makita. Installing the batteries to non-compliant products may result in a fire, excessive heat, explosion, or leak of electrolyte.

## SAVE THESE INSTRUCTIONS.

**⚠CAUTION:** Only use genuine Makita batteries. Use of non-genuine Makita batteries, or batteries that have been altered, may result in the battery bursting causing fires, personal injury and damage. It will also void the Makita warranty for the Makita tool and charger.

## Tips for maintaining maximum battery life

- Charge the battery cartridge before completely discharged. Always stop tool operation and charge the battery cartridge when you notice less tool power.
- Never recharge a fully charged battery cartridge. Overcharging shortens the battery service life.
- Charge the battery cartridge with room temperature at 10 °C - 40 °C (50 °F - 104 °F). Let a hot battery cartridge cool down before charging it.
- Charge the battery cartridge if you do not use it for a long period (more than six months).

## Important safety instructions for wireless unit

- Do not disassemble or tamper with the wireless unit.
- Keep the wireless unit away from young children. If accidentally swallowed, seek medical attention immediately.
- Use the wireless unit only with Makita tools.
- Do not expose the wireless unit to rain or wet conditions.

- Do not use the wireless unit in places where the temperature exceeds 50°C (122°F).

- Do not operate the wireless unit in places where medical instruments, such as heart pace makers are nearby.

- Do not operate the wireless unit in places where automated devices are nearby. If operated, automated devices may develop malfunction or error.

- Do not operate the wireless unit in places under high temperature or places where static electricity or electrical noise could be generated.

- The wireless unit can produce electromagnetic fields (EMF) but they are not harmful to the user.

- The wireless unit is an accurate instrument. Be careful not to drop or strike the wireless unit.

- Avoid touching the terminal of the wireless unit with bare hands or metallic materials.

- Always remove the battery on the product when installing the wireless unit into it.

- When opening the lid of the slot, avoid the place where dust and water may come into the slot. Always keep the inlet of the slot clean.

- Always insert the wireless unit in the correct direction.

- Do not press the wireless activation button on the wireless unit too hard and/or press the button with an object with a sharp edge.

- Always close the lid of the slot when operating.

- Do not remove the wireless unit from the slot while the power is being supplied to the tool. Doing so may cause a malfunction of the wireless unit.

- Do not remove the sticker on the wireless unit.

- Do not put any sticker on the wireless unit.

- Do not leave the wireless unit in a place where static electricity or electrical noise could be generated.

- Do not leave the wireless unit in a place subject to high heat, such as a car sitting in the sun.

- Do not leave the wireless unit in a dusty or powdery place or in a place corrosive gas could be generated.

- Sudden change of the temperature may bedew the wireless unit. Do not use the wireless unit until the dew is completely dried.

- When cleaning the wireless unit, gently wipe with a dry soft cloth. Do not use benzene, thinner, conductive grease or the like.

- When storing the wireless unit, keep it in the supplied case or a static-free container.

- Do not insert any devices other than Makita wireless unit into the slot on the tool.

- Do not use the tool with the lid of the slot damaged. Water, dust, and dirt come into the slot may cause malfunction.

- Do not pull and/or twist the lid of the slot more than necessary. Restore the lid if it comes off from the tool.

- Replace the lid of the slot if it is lost or damaged.

## SAVE THESE INSTRUCTIONS.

## FUNCTIONAL DESCRIPTION

**CAUTION:** Always be sure that the tool is switched off and the battery cartridge is removed before adjusting or checking function on the tool.

### Installing or removing battery cartridge

- CAUTION:** Always switch off the tool before installing or removing of the battery cartridge.
- CAUTION:** Hold the tool and the battery cartridge firmly when installing or removing battery cartridge. Failure to hold the tool and the battery cartridge firmly may cause them to slip off your hands and result in damage to the tool and battery cartridge and a personal injury.
- CAUTION:** Always bring down the base when installing/removing the batteries. Be careful not to pinch your fingers.
- CAUTION:** Do not use the battery adapter with the circular saw. The cable of the battery adapter may hinder the operation and result in personal injury.

► Fig.7: 1. Lever 2. Red indicator 3. Button 4. Battery cartridge

Before removing the battery cartridge, loosen the lever for depth adjustment to lower the tool base. Then slide the battery from the tool while sliding the button on the front of the cartridge.

To install the battery cartridge, align the tongue on the battery cartridge with the groove in the housing and slip it into place. Insert it all the way until it locks in place with a little click. If you can see the red indicator on the upper side of the button, it is not locked completely.

- CAUTION:** Always install the battery cartridge fully until the red indicator cannot be seen. If not, it may accidentally fall out of the tool, causing injury to you or someone around you.
- CAUTION:** Do not install the battery cartridge forcibly. If the cartridge does not slide in easily, it is not being inserted correctly.

**NOTE:** The tool does not work with only one battery cartridge.

## Tool / battery protection system

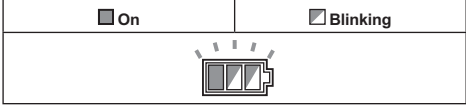
The tool is equipped with a tool/battery protection system. This system automatically cuts off power to the motor to extend tool and battery life. The tool will automatically stop during operation if the tool or battery is placed under one of the following conditions.

### Overload protection

When the tool is operated in a manner that causes it to draw an abnormally high current, the tool automatically stops. In this situation, turn the tool off and stop the application that caused the tool to become overloaded. Then turn the tool on to restart.

### Overheat protection

When the tool is overheated, the tool stops automatically, and the battery indicator blink about 60 seconds. In this situation, let the tool cool down before turning the tool on again.



### Overdischarge protection

When the battery capacity becomes low, the tool stops automatically. If the product does not operate even when the switches are operated, remove the batteries from the tool and charge the batteries.

## Indicating the remaining battery capacity

► Fig.8: 1. Battery indicator 2. Check button  
Press the check button to indicate the remaining battery capacities. The battery indicators correspond to each battery.

Battery indicator status			Remaining battery capacity
<input checked="" type="checkbox"/> On	<input type="checkbox"/> Off	<input checked="" type="checkbox"/> Blinking	
			50% to 100%
			20% to 50%
			0% to 20%
			Charge the battery

## Indicating the remaining battery capacity

**Only for battery cartridges with the indicator**

► **Fig.9:** 1. Indicator lamps 2. Check button

Press the check button on the battery cartridge to indicate the remaining battery capacity. The indicator lamps light up for a few seconds.

Indicator lamps			Remaining capacity
Lighted	Off	Blinking	
■	□	◐	75% to 100%
■	■	■	
■	■	■	
■	■	■	
■	■	□	50% to 75%
■	■	□	25% to 50%
■	□	□	0% to 25%
◐	□	□	Charge the battery.
■	■	□	The battery may have malfunctioned.
□	□	■	

**NOTE:** Depending on the conditions of use and the ambient temperature, the indication may differ slightly from the actual capacity.

## Switch action

**⚠ WARNING:** Before installing the battery cartridge into the tool, always check to see that the switch trigger actuates properly and returns to the "OFF" position when released.

**⚠ WARNING:** NEVER defeat the lock-off button by taping down or some other means. A switch with a negated lock-off button may result in unintentional operation and serious personal injury.

**⚠ WARNING:** NEVER use the tool if it runs when you simply pull the switch trigger without pressing the lock-off button. A switch in need of repair may result in unintentional operation and serious personal injury. Return tool to a Makita service center for proper repairs BEFORE further usage.

To prevent the switch trigger from being accidentally pulled, a lock-off button is provided. To start the tool, depress the lock-off button and pull the switch trigger. Release the switch trigger to stop.

► **Fig.10:** 1. Switch trigger 2. Lock-off button

**NOTICE:** Do not pull the switch trigger hard without pressing in the lock-off button. This can cause switch breakage.

**⚠ CAUTION:** The tool starts to brake the circular saw blade rotation immediately after you release the switch trigger. Hold the tool firmly to respond the reaction of the brake when releasing the switch trigger. Sudden reaction can drop the tool off your hand and can cause a personal injury.

## Automatic speed change function

This tool has "high speed mode" and "high torque mode".

The tool automatically changes the operation mode depending on the work load. When the work load is low, the tool will run in the "high speed mode" for quicker cutting operation. When the work load is high, the tool will run in the "high torque mode" for powerful cutting operation.

► **Fig.11:** 1. Mode indicator

The mode indicator lights up in green when the tool is running in "high torque mode".

If the tool is operated with excessive load, the mode indicator will blink in green. The mode indicator stops blinking and then lights up or turns off if you reduce the load on the tool.

Mode indicator status			Operation mode
● On	○ Off	◐ Blinking	
	○		High speed mode
●			High torque mode
◐			Overload alert

## Adjusting depth of cut

**⚠ CAUTION:** After adjusting the depth of cut, always tighten the lever securely.

Loosen the lever on the depth guide and move the base up or down. At the desired depth of cut, secure the base by tightening the lever.

For cleaner, safer cuts, set cut depth so that no more than one blade tooth projects below workpiece. Using proper cut depth helps to reduce potential for dangerous KICKBACKS which can cause personal injury.

► **Fig.12:** 1. Lever

## Bevel cutting

**⚠ CAUTION:** After adjusting the bevel angle, always tighten the clamping screws securely.

Loosen the clamping screws. Set for the desired angle by tilting accordingly, then tighten the clamping screws securely.

► **Fig.13:** 1. Clamping screw

Use the stopper when you do precise 45° angle cutting. Fully turn the stopper as illustrated depending on 0° - 45° bevel cut or 0° - 48° bevel cut.

► **Fig.14:** 1. Stopper

## Sighting

For straight cuts, align the 0° position on the front of the base with your cutting line. For 45° bevel cuts, align the 45° position with it.

► Fig.15: 1. Cutting line (0° position) 2. Cutting line (45° position)

## Lighting the lamp

**CAUTION:** Do not look in the light or see the source of light directly.

To turn on the lamp without running the tool, pull the switch trigger without pressing the lock-off button. To turn on the lamp with the tool running, press and hold the lock-off button and pull the switch trigger.

The lamp goes out 10 seconds after releasing the switch trigger.

► Fig.16: 1. Lamp

**NOTE:** Use a dry cloth to wipe the dirt off the lens of the lamp. Be careful not to scratch the lens of lamp, or it may lower the illumination.

## Hook

### Optional accessory

**CAUTION:** Always remove the battery when hanging the tool with the hook.

**CAUTION:** Never hook the tool at high locations or on the surfaces where the tool may lose the balance and fall.

**CAUTION:** Do not pull the tool downward when it is hooked.

The hook is convenient for hanging the tool temporarily.

► Fig.17

Attach the hook with the screws as illustrated.

► Fig.18: 1. Hook 2. Screw

To use the hook, simply turn the hook until it snaps into the open position.

When not in use, always turn the hook until it snaps into the closed position.

► Fig.19: 1. Open position 2. Closed position

## Electric brake

This tool is equipped with an electric blade brake. If the tool consistently fails to quickly stop the circular saw blade after switch lever release, have tool serviced at a Makita service center.

**CAUTION:** The blade brake system is not a substitute for blade guard. NEVER USE TOOL WITHOUT A FUNCTIONING BLADE GUARD. SERIOUS PERSONAL INJURY CAN RESULT.

## Electronic function

The tools equipped with electronic function are easy to operate because of the following feature(s).

### Soft start feature

Soft start because of suppressed starting shock.

## ASSEMBLY

**CAUTION:** Always be sure that the tool is switched off and the battery cartridge is removed before carrying out any work on the tool.

## Hex wrench storage

When not in use, store the hex wrench as shown in the figure to keep it from being lost.

► Fig.20: 1. Hex wrench

## Removing or installing circular saw blade

**CAUTION:** Be sure the circular saw blade is installed with teeth pointing up at the front of the tool.

**CAUTION:** Use only the Makita wrench to install or remove the circular saw blade.

To remove the circular saw blade, press the shaft lock fully so that the circular saw blade cannot revolve and use the hex wrench to loosen the hex bolt. Then remove the hex bolt, outer flange, circular saw blade and ring (country specific).

► Fig.21: 1. Shaft lock 2. Hex wrench 3. Loosen 4. Tighten

### For tool without the ring

► Fig.22: 1. Hex bolt 2. Outer flange 3. Circular saw blade 4. Inner flange

### For tool with the ring

► Fig.23: 1. Hex bolt 2. Outer flange 3. Circular saw blade 4. Ring 5. Inner flange

To install the circular saw blade, follow the removal procedure in reverse.

## For tool with the inner flange for other than 15.88 mm hole-diameter saw blade

The inner flange has a certain diameter protrusion on one side of it and a different diameter protrusion on the other side. Choose a correct side on which protrusion fits into the saw blade hole perfectly. Mount the inner flange onto the mounting shaft so that the correct side of protrusion on the inner flange faces outward and then place saw blade and outer flange.

► Fig.24: 1. Mounting shaft 2. Inner flange 3. Circular saw blade 4. Outer flange 5. Hex bolt

**WARNING:** BE SURE TO TIGHTEN THE HEX BOLT CLOCKWISE SECURELY. Also be careful not to tighten the bolt forcibly. Slipping your hand from the hex wrench can cause a personal injury.

**WARNING:** Make sure that the protrusion "a" on the inner flange that is positioned outside fits into the saw blade hole "a" perfectly. Mounting the blade on the wrong side can result in the dangerous vibration.



## For tool with the inner flange for a 15.88 mm hole-diameter saw blade (country specific)

Mount the inner flange with its recessed side facing outward onto the mounting shaft and then place circular saw blade (with the ring attached if needed), outer flange and hex bolt.

### For tool without the ring

► **Fig.25:** 1. Mounting shaft 2. Inner flange 3. Circular saw blade 4. Outer flange 5. Hex bolt

### For tool with the ring

► **Fig.26:** 1. Mounting shaft 2. Inner flange 3. Circular saw blade 4. Outer flange 5. Hex bolt 6. Ring

**⚠ WARNING:** BE SURE TO TIGHTEN THE HEX BOLT CLOCKWISE SECURELY. Also be careful not to tighten the bolt forcibly. Slipping your hand from the hex wrench can cause a personal injury.

**⚠ WARNING:** If the ring is needed to mount the blade onto the spindle, always be sure that the correct ring for the blade's arbor hole you intend to use is installed between the inner and the outer flanges. Use of the incorrect arbor hole ring may result in the improper mounting of the blade causing blade movement and severe vibration resulting in possible loss of control during operation and in serious personal injury.

## Blade guard cleaning

When changing the circular saw blade, make sure to also clean the upper and lower blade guards of accumulated sawdust as discussed in the Maintenance section. Such efforts do not replace the need to check lower guard operation before each use.

## Connecting a vacuum cleaner

When you wish to perform clean cutting operation, connect a Makita vacuum cleaner to your tool. Connect a hose of the vacuum cleaner to the dust nozzle as shown in the figure.

► **Fig.27:** 1. Dust nozzle 2. Screw

► **Fig.28:** 1. Hose 2. Vacuum cleaner

## OPERATION

This tool is intended to cut wood products. With appropriate Makita genuine circular saw blades, following materials can also be sawed:

- Aluminum products

Refer to our website or contact your local Makita dealer for the correct circular saw blades to be used for the material to be cut.

## Checking blade guard function

Set the bevel angle to 0°, and then retract the lower guard manually to the end and release it. The lower guard is properly functioning if;

- it is retracted above the base without any hindrance and;
- it automatically returns and contacts with the stopper.

► **Fig.29:** 1. Upper guard 2. Lower guard 3. Base 4. Stopper 5. Open 6. Close

If the lower guard is not functioning properly, check if saw dust is accumulated inside of the upper and lower guards. If the lower guard is not functioning properly even after removing dust, have your tool serviced at a Makita service center.

## Cutting operation

**⚠ CAUTION:** Wear dust mask when performing cutting operation.

**⚠ CAUTION:** Be sure to move the tool forward in a straight line gently. Forcing or twisting the tool will result in overheating the motor and dangerous kickback, possibly causing severe injury.

**NOTE:** When the battery cartridge temperature is low, the tool may not work to its full capacity. At this time, for example, use the tool for a light-duty cut for a while until the battery cartridge warms up as high as room temperature. Then, the tool can work to its full capacity.

► **Fig.30**

Hold the tool firmly. The tool is provided with both a front grip and rear handle. Use both to best grasp the tool. If both hands are holding saw, they cannot be cut by the circular saw blade. Set the base on the workpiece to be cut without the circular saw blade making any contact. Then turn the tool on and wait until the circular saw blade attains full speed. Now simply move the tool forward over the workpiece surface, keeping it flat and advancing smoothly until the sawing is completed. To get clean cuts, keep your sawing line straight and your speed of advance uniform. If the cut fails to properly follow your intended cut line, do not attempt to turn or force the tool back to the cut line. Doing so may bind the circular saw blade and lead to dangerous kickback and possible serious injury. Release switch, wait for circular saw blade to stop and then withdraw tool. Realign tool on new cut line, and start cut again. Attempt to avoid positioning which exposes operator to chips and wood dust being ejected from saw. Use eye protection to help avoid injury.

## Rip fence (Guide rule)

**⚠ CAUTION:** Make sure that the rip fence is securely installed in the correct position before use. Improper attachment may cause dangerous kickback.

► **Fig.31:** 1. Rip fence (Guide rule) 2. Clamping screw

The handy rip fence allows you to do extra-accurate straight cuts. Simply slide the rip fence up snugly against the side of the workpiece and secure it in position with the clamping screw on the front of the base. It also makes repeated cuts of uniform width possible.

## Guide rail

### Optional accessory

Place the tool on the rear end of guide rail. Turn two adjusting screws on the tool base so that the tool slides smoothly without a clatter. Hold both the front grip and rear handle of the tool firmly. Turn on the tool and cut the splinter-guard along the full length with a stroke. Now the edge of the splinter-guard corresponds to the cutting edge.

► **Fig.32:** 1. Adjusting screws

When bevel cutting with the guide rail, use the slide lever to prevent the tool from falling over.

Move the slide lever on the tool base in the direction of arrow so that it engages the undercut groove in the guide rail.

► **Fig.33:** 1. Slide lever

## Lanyard (tether strap) connection

### ⚠ Safety warnings specific for use at height

**Read all safety warnings and instructions.** Failure to follow the warnings and instructions may result in serious injury.

1. **Always keep the tool tethered when working "at height".** Maximum lanyard length is 2 m (6.5 ft).
2. **Use only with lanyards appropriate for this tool type and rated for at least 6.0 kg (13.3 lbs).**
3. **Do not anchor the tool lanyard to anything on your body or on movable components. Anchor the tool lanyard to a rigid structure that can withstand the forces of a dropped tool.**
4. **Make sure the lanyard is properly secured at each end prior to use.**
5. **Inspect the tool and lanyard before each use for damage and proper function (including fabric and stitching). Do not use if damaged or not functioning properly.**
6. **Do not wrap lanyards around or allow them to come in contact with sharp or rough edges.**
7. **Fasten the other end of the lanyard outside the working area so that a falling tool is held securely.**
8. **Attach the lanyard so that the tool will move away from the operator if it falls.** Dropped tools will swing on the lanyard, which could cause injury or loss of balance.
9. **Do not use near moving parts or running machinery.** Failure to do so may result in a crush or entanglement hazard.
10. **Do not carry the tool by the attachment device or the lanyard.**
11. **Only transfer the tool between your hands while you are properly balanced.**
12. **Do not attach lanyards to the tool in a way that keeps guards, switches or lock-offs from operating properly.**
13. **Avoid getting tangled in the lanyard.**
14. **Keep lanyard away from the cutting area of the tool.**
15. **Use multi-action and screw gate type carabineers. Do not use single action spring clip carabineers.**
16. **In the event the tool is dropped, it must be tagged and removed from service, and should be inspected by a Makita Factory or Authorized Service Center.**

► **Fig.34:** 1. Hole for lanyard (tether strap)

## WIRELESS ACTIVATION FUNCTION

For DHS783 only

### What you can do with the wireless activation function

The wireless activation function enables clean and comfortable operation. By connecting a supported vacuum cleaner to the tool, you can run the vacuum cleaner automatically along with the switch operation of the tool.

► **Fig.35**

To use the wireless activation function, prepare following items:

- A wireless unit (optional accessory)
- A vacuum cleaner which supports the wireless activation function

The overview of the wireless activation function setting is as follows. Refer to each section for detail procedures.

1. Installing the wireless unit
2. Tool registration for the vacuum cleaner
3. Starting the wireless activation function

### Installing the wireless unit

#### Optional accessory

**⚠ CAUTION:** Place the tool on a flat and stable surface when installing the wireless unit.

**NOTICE:** Clean the dust and dirt on the tool before installing the wireless unit. Dust or dirt may cause malfunction if it comes into the slot of the wireless unit.

**NOTICE:** To prevent the malfunction caused by static, touch a static discharging material, such as a metal part of the tool, before picking up the wireless unit.

**NOTICE:** When installing the wireless unit, always be sure that the wireless unit is inserted in the correct direction and the lid is completely closed.

1. Open the lid on the tool as shown in the figure.

► **Fig.36:** 1. Lid

2. Insert the wireless unit to the slot and then close the lid.

When inserting the wireless unit, align the projections with the recessed portions on the slot.

► **Fig.37:** 1. Wireless unit 2. Projection 3. Lid 4. Recessed portion

When removing the wireless unit, open the lid slowly.

The hooks on the back of the lid will lift the wireless unit as you pull up the lid.

► **Fig.38:** 1. Wireless unit 2. Hook 3. Lid

After removing the wireless unit, keep it in the supplied case or a static-free container.

**NOTICE:** Always use the hooks on the back of the lid when removing the wireless unit. If the hooks do not catch the wireless unit, close the lid completely and open it slowly again.

## Tool registration for the vacuum cleaner

**NOTE:** A Makita vacuum cleaner supporting the wireless activation function is required for the tool registration.

**NOTE:** Finish installing the wireless unit to the tool before starting the tool registration.

**NOTE:** During the tool registration, do not pull the switch trigger or turn on the power switch on the vacuum cleaner.

**NOTE:** Refer to the instruction manual of the vacuum cleaner, too.

If you wish to activate the vacuum cleaner along with the switch operation of the tool, finish the tool registration beforehand.

1. Install the batteries to the vacuum cleaner and the tool.
2. Set the stand-by switch on the vacuum cleaner to "AUTO".  
▶ **Fig.39:** 1. Stand-by switch
3. Press the wireless activation button on the vacuum cleaner for 3 seconds until the wireless activation lamp blinks in green. And then press the wireless activation button on the tool in the same way.  
▶ **Fig.40:** 1. Wireless activation button 2. Wireless activation lamp

If the vacuum cleaner and the tool are linked successfully, the wireless activation lamps will light up in green for 2 seconds and start blinking in blue.

**NOTE:** The wireless activation lamps finish blinking in green after 20 seconds elapsed. Press the wireless activation button on the tool while the wireless activation lamp on the cleaner is blinking. If the wireless activation lamp does not blink in green, push the wireless activation button briefly and hold it down again.

**NOTE:** When performing two or more tool registrations for one vacuum cleaner, finish the tool registration one by one.

## Starting the wireless activation function

**NOTE:** Finish the tool registration for the vacuum cleaner prior to the wireless activation.

**NOTE:** Refer to the instruction manual of the vacuum cleaner, too.

After registering a tool to the vacuum cleaner, the vacuum cleaner will automatically runs along with the switch operation of the tool.

1. Install the wireless unit to the tool.
2. Connect the hose of the vacuum cleaner with the tool.  
▶ **Fig.41**
3. Set the stand-by switch on the vacuum cleaner to "AUTO".  
▶ **Fig.42:** 1. Stand-by switch

4. Push the wireless activation button on the tool briefly. The wireless activation lamp will blink in blue.

▶ **Fig.43:** 1. Wireless activation button 2. Wireless activation lamp

5. Pull the switch trigger of the tool. Check if the vacuum cleaner runs while the switch trigger is being pulled.

To stop the wireless activation of the vacuum cleaner, push the wireless activation button on the tool.

**NOTE:** The wireless activation lamp on the tool will stop blinking in blue when there is no operation for 2 hours. In this case, set the stand-by switch on the vacuum cleaner to "AUTO" and push the wireless activation button on the tool again.

**NOTE:** The vacuum cleaner starts/stops with a delay. There is a time lag when the vacuum cleaner detects a switch operation of the tool.

**NOTE:** The transmission distance of the wireless unit may vary depending on the location and surrounding circumstances.

**NOTE:** When two or more tools are registered to one vacuum cleaner, the vacuum cleaner may start running even if you don't pull the switch trigger because another user is using the wireless activation function.

## Description of the wireless activation lamp status

► Fig.44: 1. Wireless activation lamp

The wireless activation lamp shows the status of the wireless activation function. Refer to the table below for the meaning of the lamp status.

Status	Wireless activation lamp				Description
	Color	<input type="checkbox"/> On	<input type="checkbox"/> Blinking	Duration	
Standby	Blue	<input checked="" type="checkbox"/>		2 hours	The wireless activation of the vacuum cleaner is available. The lamp will automatically turn off when no operation is performed for 2 hours.
		<input type="checkbox"/>	<input checked="" type="checkbox"/>	When the tool is running.	The wireless activation of the vacuum cleaner is available and the tool is running.
Tool registration	Green	<input checked="" type="checkbox"/>		20 seconds	Ready for the tool registration. Waiting for the registration by the vacuum cleaner.
		<input type="checkbox"/>	<input checked="" type="checkbox"/>	2 seconds	The tool registration has been finished. The wireless activation lamp will start blinking in blue.
Cancelling tool registration	Red	<input checked="" type="checkbox"/>		20 seconds	Ready for the cancellation of the tool registration. Waiting for the cancellation by the vacuum cleaner.
		<input type="checkbox"/>	<input checked="" type="checkbox"/>	2 seconds	The cancellation of the tool registration has been finished. The wireless activation lamp will start blinking in blue.
Others	Red	<input type="checkbox"/>		3 seconds	The power is supplied to the wireless unit and the wireless activation function is starting up.
	Off	-	-	-	The wireless activation of the vacuum cleaner is stopped.

## Cancelling tool registration for the vacuum cleaner

Perform the following procedure when cancelling the tool registration for the vacuum cleaner.

1. Install the batteries to the vacuum cleaner and the tool.

2. Set the stand-by switch on the vacuum cleaner to "AUTO".

► Fig.45: 1. Stand-by switch

3. Press the wireless activation button on the vacuum cleaner for 6 seconds. The wireless activation lamp blinks in green and then become red. After that, press the wireless activation button on the tool in the same way.

► Fig.46: 1. Wireless activation button 2. Wireless activation lamp

If the cancellation is performed successfully, the wireless activation lamps will light up in red for 2 seconds and start blinking in blue.

**NOTE:** The wireless activation lamps finish blinking in red after 20 seconds elapsed. Press the wireless activation button on the tool while the wireless activation lamp on the cleaner is blinking. If the wireless activation lamp does not blink in red, push the wireless activation button briefly and hold it down again.

## Troubleshooting for wireless activation function

Before asking for repairs, conduct your own inspection first. If you find a problem that is not explained in the manual, do not attempt to dismantle the tool. Instead, ask Makita Authorized Service Centers, always using Makita replacement parts for repairs.

State of abnormality	Probable cause (malfunction)	Remedy
The wireless activation lamp does not light/blink.	The wireless unit is not installed into the tool. The wireless unit is improperly installed into the tool.	Install the wireless unit correctly.
	The terminal of the wireless unit and/or the slot is dirty.	Gently wipe off dust and dirt on the terminal of the wireless unit and clean the slot.
	The wireless activation button on the tool has not been pushed.	Push the wireless activation button on the tool briefly.
	The stand-by switch on the vacuum cleaner is not set to "AUTO".	Set the stand-by switch on the vacuum cleaner to "AUTO".
	No power supply	Supply the power to the tool and the vacuum cleaner.
Cannot finish tool registration / cancelling tool registration successfully.	The wireless unit is not installed into the tool. The wireless unit is improperly installed into the tool.	Install the wireless unit correctly.
	The terminal of the wireless unit and/or the slot is dirty.	Gently wipe off dust and dirt on the terminal of the wireless unit and clean the slot.
	The stand-by switch on the vacuum cleaner is not set to "AUTO".	Set the stand-by switch on the vacuum cleaner to "AUTO".
	No power supply	Supply the power to the tool and the vacuum cleaner.
	Incorrect operation	Push the wireless activation button briefly and perform the tool registration/cancellation procedures again.
	The tool and vacuum cleaner are away from each other (out of the transmission range).	Get the tool and vacuum cleaner closer to each other. The maximum transmission distance is approximately 10 m however it may vary according to the circumstances.
	Before finishing the tool registration/cancellation; - the switch trigger on the tool is pulled or; - the power button on the vacuum cleaner is turned on.	Push the wireless activation button briefly and perform the tool registration/cancellation procedures again.
	The tool registration procedures for the tool or vacuum cleaner have not finished.	Perform the tool registration procedures for both the tool and the vacuum cleaner at the same timing.
	Radio disturbance by other appliances which generate high-intensity radio waves.	Keep the tool and vacuum cleaner away from the appliances such as Wi-Fi devices and microwave ovens.
The vacuum cleaner does not run along with the switch operation of the tool.	The wireless unit is not installed into the tool. The wireless unit is improperly installed into the tool.	Install the wireless unit correctly.
	The terminal of the wireless unit and/or the slot is dirty.	Gently wipe off dust and dirt on the terminal of the wireless unit and clean the slot.
	The wireless activation button on the tool has not been pushed.	Push the wireless activation button briefly and make sure that the wireless activation lamp is blinking in blue.
	The stand-by switch on the vacuum cleaner is not set to "AUTO".	Set the stand-by switch on the vacuum cleaner to "AUTO".
	More than 10 tools are registered to the vacuum cleaner.	Perform the tool registration again. If more than 10 tools are registered to the vacuum cleaner, the tool registered earliest will be cancelled automatically.
	The vacuum cleaner erased all tool registrations.	Perform the tool registration again.
	No power supply	Supply the power to the tool and the vacuum cleaner.
	The tool and vacuum cleaner are away from each other (out of the transmission range).	Get the tool and vacuum cleaner closer each other. The maximum transmission distance is approximately 10 m however it may vary according to the circumstances.
	Radio disturbance by other appliances which generate high-intensity radio waves.	Keep the tool and vacuum cleaner away from the appliances such as Wi-Fi devices and microwave ovens.
The vacuum cleaner runs while the tool's switch trigger is not pulled.	Other users are using the wireless activation of the vacuum cleaner with their tools.	Turn off the wireless activation button of the other tools or cancel the tool registration of the other tools.

## MAINTENANCE

**CAUTION:** Always be sure that the tool is switched off and the battery cartridge is removed before attempting to perform inspection or maintenance.

**CAUTION:** Clean out the upper and lower guards to ensure there is no accumulated sawdust which may impede the operation of the lower guarding system. A dirty guarding system may limit the proper operation which could result in serious personal injury. The most effective way to accomplish this cleaning is with compressed air. If the dust is being blown out of the guards, be sure the proper eye and breathing protection is used.

**CAUTION:** After each use, wipe off the saw dust on the tool. Fine saw dust may come inside the tool and cause malfunction or a fire.

**NOTICE:** Never use gasoline, benzine, thinner, alcohol or the like. Discoloration, deformation or cracks may result.

To maintain product SAFETY and RELIABILITY, repairs, any other maintenance or adjustment should be performed by Makita Authorized or Factory Service Centers, always using Makita replacement parts.

### Adjusting 0°-cut or 45°-cut accuracy

This adjustment has been made at the factory. But if it is off, you can adjust it as the following procedure.

1. Loosen the clamping screws on the front and rear of the tool so that the bevel angle can be changed. Set the stopper to 0° - 45° bevel angle position if you are going to adjust 45°-cut accuracy.

► Fig.47: 1. Stopper

2. Make the base perpendicular or 45° to the circular saw blade using a triangular rule by turning the adjusting screw with a hex wrench. You can also use a square rule to adjust 0° angle.

► Fig.48: 1. Triangular rule

► Fig.49: 1. Adjusting screw for 0° angle 2. Adjusting screw for 45° angle

3. Tighten the clamping screws and then make a test cut to check if desired angle is obtained.

### Adjusting the parallelism

**CAUTION:** Keep the parallelism accurate. Otherwise the circular saw blade may bite into the guide rail and the damaged guide rail may cause an injury.

This adjustment has been made at the factory. But if it is off, you can adjust it as the following procedure.

1. Set the tool to the maximum cutting depth.

2. Make sure all levers and screws are tightened.

3. Loosen the screws shown in the figure.

4. While opening the lower guard, move the rear of the base so that the distance A and B becomes equal.

► Fig.50: 1. Screw 2. Base

5. Tighten the screws and make a test cut to check the parallelism.

## OPTIONAL ACCESSORIES

**CAUTION:** These accessories or attachments are recommended for use with your Makita tool specified in this manual. The use of any other accessories or attachments might present a risk of injury to persons. Only use accessory or attachment for its stated purpose.

If you need any assistance for more details regarding these accessories, ask your local Makita Service Center.

- Circular saw blade
- Rip fence (Guide rule)
- Hook
- Guide rail
- Bevel guide
- Clamp
- Sheet
- Rubber sheet
- Position sheet
- Dust nozzle
- Hex wrench
- Wireless unit (for DHS783)
- Makita genuine battery and charger

**NOTE:** Some items in the list may be included in the tool package as standard accessories. They may differ from country to country.

## FRANÇAIS (Instructions originales)

### SPÉCIFICATIONS

Modèle :		DHS782	DHS783
Diamètre de lame		185 à 190 mm	
Profondeur max. de coupe	à 0°	60,0 à 62,5 mm	
	en biseau à 45°	43,0 à 44,5 mm	
	en biseau à 48°	41,0 à 42,0 mm	
Vitesse à vide		6 000 min <sup>-1</sup>	
Longueur totale		348 mm	
Tension nominale		36 V CC	
Poids net		4,5 à 5,1 kg	

- Étant donné l'évolution constante de notre programme de recherche et de développement, les spécifications contenues dans ce manuel sont sujettes à modification sans préavis.
- Les spécifications et la batterie peuvent être différentes suivant les pays.
- Le poids peut être différent selon les accessoires, notamment la batterie. Les associations la plus légère et la plus lourde, conformément à la procédure EPTA 01/2014, sont indiquées dans le tableau.

#### Batterie et chargeur applicables

Batterie	BL1815N / BL1820 / BL1820B / BL1830 / BL1830B / BL1840 / BL1840B / BL1850 / BL1850B / BL1860B
Chargeur	DC18RC / DC18RD / DC18RE / DC18SD / DC18SE / DC18SF

- Certains chargeurs et batteries répertoriés ci-dessus peuvent ne pas être disponibles selon la région où vous résidez.

**⚠ AVERTISSEMENT :** N'utilisez que les batteries et les chargeurs répertoriés ci-dessus. L'utilisation d'autres batteries et chargeurs peut provoquer des blessures et/ou un incendie.

#### Utilisations

L'outil est conçu pour effectuer des coupes rectilignes en longueur ou en biais, ainsi que pour des coupes d'onglet avec angle dans le bois tout en restant fermement en contact avec la pièce à travailler. Si vous utilisez des lames de scie de marque Makita, vous pouvez également scier d'autres matériaux.

#### Bruit

Niveau de bruit pondéré A typique, déterminé selon EN62841-2-5 :

##### Modèle DHS782

Niveau de pression sonore ( $L_{pA}$ ) : 93 dB (A)  
Niveau de puissance sonore ( $L_{WA}$ ) : 104 dB (A)  
Incertitude (K) : 3 dB (A)

##### Modèle DHS783

Niveau de pression sonore ( $L_{pA}$ ) : 93 dB (A)  
Niveau de puissance sonore ( $L_{WA}$ ) : 104 dB (A)  
Incertitude (K) : 3 dB (A)

**NOTE :** La ou les valeurs d'émission de bruit déclarées ont été mesurées conformément à la méthode de test standard et peuvent être utilisées pour comparer les outils entre eux.

**NOTE :** La ou les valeurs d'émission de bruit déclarées peuvent aussi être utilisées pour l'évaluation préliminaire de l'exposition.

**⚠ AVERTISSEMENT :** Portez un serre-tête antibruit.

**⚠ AVERTISSEMENT :** L'émission de bruit lors de l'usage réel de l'outil électrique peut être différente de la ou des valeurs déclarées, suivant la façon dont l'outil est utilisé, particulièrement selon le type de pièce usinée.

**⚠ AVERTISSEMENT :** Les mesures de sécurité à prendre pour protéger l'utilisateur doivent être basées sur une estimation de l'exposition dans des conditions réelles d'utilisation (en tenant compte de toutes les composantes du cycle d'utilisation, comme par exemple le moment de sa mise hors tension, lorsqu'il tourne à vide et le moment de son déclenchement).

#### Vibrations

Valeur totale de vibrations (somme de vecteur triaxial) déterminée selon EN62841-2-5 :

##### Modèle DHS782

Mode de travail : coupe de bois  
Émission de vibrations ( $a_{h,w}$ ) : 2,5 m/s<sup>2</sup> ou moins  
Incertitude (K) : 1,5 m/s<sup>2</sup>

Mode de travail : découpe de métal  
Émission de vibrations ( $a_{h,m}$ ) : 2,5 m/s<sup>2</sup> ou moins  
Incertitude (K) : 1,5 m/s<sup>2</sup>

### Modèle DHS783

Mode de travail : coupe de bois  
Émission de vibrations ( $a_{n,w}$ ) : 2,5 m/s<sup>2</sup> ou moins  
Incertitude (K) : 1,5 m/s<sup>2</sup>  
Mode de travail : découpe de métal  
Émission de vibrations ( $a_{n,m}$ ) : 2,5 m/s<sup>2</sup> ou moins  
Incertitude (K) : 1,5 m/s<sup>2</sup>

**NOTE** : La ou les valeurs de vibration totales déclarées ont été mesurées conformément à la méthode de test standard et peuvent être utilisées pour comparer les outils entre eux.

**NOTE** : La ou les valeurs de vibration totales déclarées peuvent aussi être utilisées pour l'évaluation préliminaire de l'exposition.

**AVERTISSEMENT** : L'émission de vibrations lors de l'usage réel de l'outil électrique peut être différente de la ou des valeurs déclarées, suivant la façon dont l'outil est utilisé, particulièrement selon le type de pièce usinée.

**AVERTISSEMENT** : Les mesures de sécurité à prendre pour protéger l'utilisateur doivent être basées sur une estimation de l'exposition dans des conditions réelles d'utilisation (en tenant compte de toutes les composantes du cycle d'utilisation, comme par exemple le moment de sa mise hors tension, lorsqu'il tourne à vide et le moment de son déclenchement).

### Déclaration de conformité CE

#### Pour les pays européens uniquement

La déclaration de conformité CE est fournie en Annexe A à ce mode d'emploi.

## CONSIGNES DE SÉCURITÉ

### Consignes de sécurité générales pour outils électriques

**AVERTISSEMENT** : Veuillez lire les consignes de sécurité, instructions, illustrations et spécifications qui accompagnent cet outil électrique. Le non-respect de toutes les instructions indiquées ci-dessous peut entraîner une électrocution, un incendie et/ou de graves blessures.

### Conservez toutes les mises en garde et instructions pour référence ultérieure.

Le terme « outil électrique » dans les avertissements fait référence à l'outil électrique alimenté par le secteur (avec cordon d'alimentation) ou à l'outil électrique fonctionnant sur batterie (sans cordon d'alimentation).

## Consignes de sécurité pour scie circulaire sans fil

### Procédures de coupe

- DANGER** : Gardez vos mains à l'écart de la zone de coupe et de la lame. Laissez votre deuxième main sur la poignée auxiliaire ou le carter du moteur. La lame ne risquera pas de vous couper les mains si vous les utilisez toutes les deux pour tenir la scie.
- Ne placez aucune partie de votre corps sous la pièce à travailler.** Le carter de protection ne peut pas protéger l'utilisateur de la lame sous la pièce.
- Régalez la profondeur de coupe suivant l'épaisseur de la pièce à travailler.** La partie de la lame visible sous la pièce à travailler doit être moindre qu'une dent de lame complète.
- Ne tenez jamais la pièce avec les mains ou contre la jambe pendant la coupe. Fixez la pièce sur une plate-forme stable.** Il est important que la pièce soit soutenue convenablement, afin de minimiser l'exposition du corps, le grippage de la lame ou la perte de contrôle.

#### ► Fig.1

- Tenez l'outil électrique par une surface de prise isolée, lorsque vous effectuez une tâche où l'outil de coupe pourrait toucher un câblage caché.** Le contact avec un fil sous tension mettra également les parties métalliques exposées de l'outil électrique sous tension et pourrait électrocuter l'utilisateur.
- Lors du sciage en long, utilisez toujours un guide longitudinal ou un guide de chant.** La coupe sera plus précise et cela réduira les risques de pincement de la lame.
- Utilisez toujours des lames dont l'orifice central est de taille et de forme (diamantée ou circulaire) appropriée.** Les lames qui ne correspondent pas aux éléments de montage de la scie fonctionneront de manière décentrée, provoquant une perte de contrôle.
- N'utilisez jamais de rondelles ou boulons de la lame endommagés ou inadéquats.** Les rondelles et le boulon de la lame ont été conçus exclusivement pour votre scie, afin d'assurer une performance optimale et une utilisation sûre.

### Causes des chocs en retour et avertissements concernant ces derniers

- le choc en retour est une réaction soudaine de l'outil lorsque la lame de scie est coincée, pincée ou désalignée, et la scie, hors de contrôle, se soulève alors et quitte la pièce en se dirigeant vers l'utilisateur ;
- lorsque la lame se coince ou est pincée fermement par le trait de scie qui se referme sur elle, la lame se bloque et la réaction du moteur entraîne la projection de l'outil à grande vitesse vers l'utilisateur ;
- si la lame se tord ou se désaligne par rapport à la ligne de coupe, les dents arrière risquent de s'enfoncer dans la surface du bois et la lame de quitter le trait de scie en reculant brusquement vers l'utilisateur.



Le choc en retour est le résultat d'une mauvaise utilisation de la scie et/ou de procédures ou conditions d'utilisation incorrectes. On peut l'éviter en prenant des précautions adéquates, comme indiqué ci-dessous :

1. **Maintenez une poigne ferme à deux mains sur la scie, et placez vos bras de sorte qu'ils puissent résister à la force du choc en retour. Placez-vous d'un côté ou de l'autre de la lame, jamais dans sa ligne de coupe.** Le choc en retour peut faire bondir la scie vers l'arrière, mais la force du choc en retour peut être maîtrisée par l'utilisateur en prenant les précautions adéquates.
2. **Si la lame se pince ou si vous interrompez la coupe pour une raison quelconque, libérez la gâchette et maintenez la scie immobile dans le matériau jusqu'à l'arrêt complet de la lame. N'essayez jamais de retirer la scie de la pièce ou de la faire reculer alors que la lame tourne encore, sous peine de provoquer un choc en retour.** Identifiez la cause du pincement de la lame et prenez les mesures correctives pour y remédier.
3. **Avant de redémarrer la scie dans la pièce, centrez la lame de scie dans le trait de scie de sorte que les dents ne pénètrent pas dans le matériau.** Si une lame de scie coince, elle risque de remonter ou de reculer brutalement au moment du redémarrage de la scie.
4. **Placez un dispositif de soutien sous les grands panneaux pour réduire les risques de pincement de la lame et de choc en retour.** Les panneaux de grande dimension ont tendance à s'affaisser sous leur propre poids. Des supports doivent être installés sous le panneau, des deux côtés, près de la ligne de coupe et près du bord du panneau.

► Fig.2

► Fig.3

5. **N'utilisez pas des lames émoussées ou endommagées.** Les lames mal affûtées ou mal posées produisent un trait de scie étroit, entraînant une friction excessive, le pincement de la lame et un choc en retour.
6. **Les leviers de verrouillage de la profondeur de coupe et du réglage de coupe en biseau doivent être serrés de manière ferme et sûre avant de procéder à la coupe.** Il y a risque de pincement et de choc en retour si les réglages de la lame changent pendant la coupe.
7. **Soyez tout particulièrement prudent lorsque vous sciez dans un mur ou autre surface derrière laquelle peuvent se trouver des objets non visibles.** La lame peut causer un choc en retour en entrant en contact avec ces objets.
8. **Tenez TOUJOURS l'outil fermement à deux mains. Ne placez JAMAIS la main, la jambe ou toute autre partie du corps sous la base de l'outil ou derrière la scie, particulièrement lors de coupes transversales.** En cas de choc en retour, la scie pourrait facilement bondir vers l'arrière et passer sur votre main, vous infligeant une blessure grave.

► Fig.4

9. **Ne forcez jamais la scie. Faites avancer la scie à une vitesse permettant à la lame de tourner sans perte de vitesse.** Le fait de forcer la scie peut résulter en des coupes inégales, une perte de précision et un choc en retour.

#### Fonctionnement du carter de protection

1. **Avant chaque utilisation, assurez-vous que le carter de protection inférieur ferme bien. N'utilisez pas la scie si le carter de protection inférieur ne se déplace pas librement et ne se referme pas immédiatement. Évitez d'immobiliser ou fixer le carter de protection inférieur en position ouverte.** Si la scie tombe accidentellement, le carter de protection inférieur peut se tordre. Soulevez le carter de protection inférieur à l'aide de la poignée rétractable et assurez-vous qu'il se déplace librement sans entrer en contact avec la lame ou toute autre partie de la scie, et ce quel que soit l'angle ou la profondeur de coupe.
2. **Vérifiez le fonctionnement du ressort du carter de protection inférieur. Le carter de protection et le ressort doivent être réparés avant l'utilisation s'ils ne fonctionnent pas correctement.** Le fonctionnement du carter de protection inférieur peut être ralenti par des pièces endommagées, des dépôts gluants ou l'accumulation de débris.
3. **Le carter de protection inférieur ne doit être rétracté manuellement que lors des coupes spéciales, comme les « coupes en plongée » et les « coupes mixtes ».** Soulevez le carter de protection inférieur à l'aide de la poignée rétractable et libérez-le dès que la lame entre en contact avec le matériau.
4. **Assurez-vous toujours que le carter de protection inférieur recouvre la lame avant de poser la scie sur l'établi ou le plancher.** Une lame non protégée et continuant à fonctionner par inertie entraînera la scie en arrière coupant tout ce qui se trouve sur sa trajectoire. N'oubliez pas qu'il faut un certain temps avant que la lame ne s'arrête une fois la gâchette libérée.
5. **Pour vérifier que le carter de protection inférieur se referme bien, ouvrez-le manuellement et relâchez-le. Assurez-vous également que la poignée rétractable ne touche pas le carter de l'outil.** Une lame exposée est TRÈS DANGEREUSE et peut causer de graves blessures.

#### Consignes de sécurité supplémentaires

1. **Soyez encore plus prudent pour couper du bois mouillé, du bois traité sous pression ou du bois qui contient des nœuds.** Pour éviter que le tranchant de la lame ne surchauffe, faites avancer l'outil à une vitesse régulière sans ralentissement de la vitesse de rotation de la lame.
2. **N'essayez pas de retirer le matériau coupé pendant que la lame tourne. Attendez l'arrêt total de la lame avant de saisir le bout de matériau coupé.** La lame continue de tourner même une fois le contact coupé.
3. **Prenez garde aux clous pendant la coupe. Avant de couper dans le bois de construction, inspectez-le et retirez-en tous les clous.**
4. **Placez la partie la plus grande du socle de la scie sur la partie de la pièce qui est solidement soutenue, non sur celle qui tombera une fois la coupe terminée. Si la pièce est courte ou petite, placez-la dans un dispositif de serrage. N'ESSAYEZ PAS DE TENIR LES COURTES PIÈCES UNIQUEMENT AVEC LA MAIN !**

► Fig.5

5. Avant de déposer l'outil une fois la coupe terminée, assurez-vous que le carter de protection est fermé et que la lame est parfaitement immobile.
6. N'essayez jamais de scier en plaçant la scie circulaire à l'envers dans un étau. Cela est très dangereux et peut entraîner un accident grave.

► Fig.6

7. Certains matériaux contiennent des substances chimiques qui peuvent être toxiques. Prenez les précautions nécessaires pour ne pas inhaler les poussières qu'ils dégagent et pour éviter tout contact avec la peau. Respectez les données de sécurité du fabricant du matériau.
8. N'appliquez jamais de pression latérale sur la lame de scie pour l'arrêter.
9. N'utilisez pas de disques abrasifs.
10. Utilisez uniquement une lame de scie ayant le diamètre indiqué sur l'outil ou spécifié dans le mode d'emploi. L'utilisation d'une taille incorrecte de lame peut affecter la protection de la lame ou le fonctionnement du carter de protection, ce qui pourrait provoquer de graves blessures.
11. Maintenez la lame bien affûtée et propre. Les dépôts de colle et les copeaux de bois qui durcissent contre la lame ralentissent la scie et entraînent une augmentation des risques de choc en retour. Pour nettoyer la lame, retirez-la d'abord de l'outil, puis nettoyez-la avec un décapant, de l'eau chaude ou du kérosène. N'utilisez jamais d'essence.
12. Portez un masque antipoussières et des protections d'oreilles lorsque vous utilisez l'outil.
13. Utilisez toujours la lame de scie conçue pour la coupe du matériau de travail.
14. Utilisez uniquement des lames de scie sur lesquelles est indiquée une vitesse égale ou supérieure à la vitesse figurant sur l'outil.
15. (Pour les pays européens uniquement) Utilisez toujours une lame conforme à la norme EN847-1.

## CONSERVEZ CES INSTRUCTIONS.

**⚠ AVERTISSEMENT : NE vous laissez PAS tromper (au fil d'une utilisation répétée) par un sentiment d'aisance et de familiarité avec le produit, en négligeant le respect rigoureux des consignes de sécurité qui accompagnent le produit en question. La MAUVAISE UTILISATION de l'outil ou l'ignorance des consignes de sécurité indiquées dans ce mode d'emploi peut entraîner de graves blessures.**

## Consignes de sécurité importantes pour la batterie

1. Avant d'utiliser la batterie, lisez toutes les instructions et précautions relatives (1) au chargeur de batterie, (2) à la batterie, et (3) au produit utilisant la batterie.
2. Ne démontez pas la batterie.
3. Cessez immédiatement l'utilisation si le temps de fonctionnement devient excessivement court. Il y a risque de surchauffe, de brûlures, voire d'explosion.
4. Si l'électrolyte pénètre dans vos yeux, rincez-les à l'eau claire et consultez immédiatement un médecin. Il y a risque de perte de la vue.
5. Ne court-circuitez pas la batterie :
  - (1) Ne touchez les bornes avec aucun matériau conducteur.
  - (2) Évitez de ranger la batterie dans un conteneur avec d'autres objets métalliques, par exemple des clous, des pièces de monnaie, etc.
  - (3) N'exposez pas la batterie à l'eau ou à la pluie.

Un court-circuit de la batterie peut provoquer une intensité de courant élevée, une surchauffe, parfois des brûlures et même une panne.
6. Ne rangez pas l'outil et la batterie dans un endroit où la température risque d'atteindre ou de dépasser 50 °C.
7. Ne jetez pas la batterie au feu même si elle est sérieusement endommagée ou complètement épuisée. La batterie peut exploser au contact du feu.
8. Évitez de laisser tomber ou de cogner la batterie.
9. N'utilisez pas la batterie si elle est endommagée.
10. Les batteries au lithium-ion contenues sont soumises aux exigences de la législation sur les marchandises dangereuses. Lors du transport commercial par des tierces parties ou des transitaires par exemple, des exigences spécifiques en matière d'étiquetage et d'emballage doivent être respectées. Pour la préparation de l'article expédié, il est nécessaire de consulter un expert en matériau dangereux. Veuillez également respecter les réglementations nationales susceptibles d'être plus détaillées. Recouvrez les contacts exposés avec du ruban adhésif ou du ruban de masquage et emballez la batterie de telle sorte qu'elle ne puisse pas bouger dans l'emballage.
11. Suivez les réglementations locales en matière de mise au rebut des batteries.
12. Utilisez les batteries uniquement avec les produits spécifiés par Makita. L'insertion de batteries dans des produits non conformes peut provoquer un incendie, une chaleur excessive, une explosion ou une fuite de l'électrolyte.

## CONSERVEZ CES INSTRUCTIONS.

**⚠ ATTENTION :** N'utilisez que des batteries Makita d'origine. L'utilisation de batteries de marque autre que Makita ou de batteries modifiées peut provoquer l'explosion des batteries, ce qui présente un risque d'incendie, de dommages matériels et corporels. Cela annulera également la garantie Makita pour l'outil et le chargeur Makita.

## Conseils pour assurer la durée de vie optimale de la batterie

1. Chargez la batterie avant qu'elle ne soit complètement déchargée. Arrêtez toujours l'outil et rechargez la batterie quand vous remarquez que la puissance de l'outil diminue.
2. Ne rechargez jamais une batterie complètement chargée. La surcharge réduit la durée de service de la batterie.
3. Chargez la batterie à une température ambiante comprise entre 10 °C et 40 °C. Avant de charger une batterie chaude, laissez-la refroidir.
4. Rechargez la batterie si elle est restée inutilisée pendant une période prolongée (plus de six mois).

## Consignes de sécurité importantes pour le connecteur sans fil

1. Ne démontez ni ne modifiez le connecteur sans fil.
2. Conservez le connecteur sans fil hors de portée des jeunes enfants. En cas d'ingestion accidentelle, consultez immédiatement un médecin.
3. Utilisez le connecteur sans fil uniquement avec des outils Makita.
4. N'exposez pas le connecteur sans fil à la pluie ou à l'humidité.
5. N'utilisez pas le connecteur sans fil dans un endroit où la température dépasse 50 °C.
6. Ne faites pas fonctionner le connecteur sans fil dans un endroit où des appareils médicaux comme des simulateurs cardiaques sont utilisés.
7. Ne faites pas fonctionner le connecteur sans fil dans un endroit où des appareils automatiques sont utilisés. Sinon, ces appareils pourraient présenter un dysfonctionnement ou une erreur.
8. N'utilisez pas le connecteur sans fil dans un endroit à température élevée ou dans un endroit susceptible de générer de l'électricité statique ou du bruit électrique.
9. Le connecteur sans fil peut produire des champs électromagnétiques (CEM), mais ceux-ci ne sont pas dangereux pour l'utilisateur.
10. Le connecteur sans fil est un instrument de précision. Évitez de laisser tomber ou de cogner le connecteur sans fil.
11. Évitez de toucher la borne du connecteur sans fil avec les mains nues ou avec des objets métalliques.

12. Retirez toujours la batterie du produit avant d'y installer le connecteur sans fil.
13. Évitez d'ouvrir le couvercle de la fente dans un endroit où de la poussière ou de l'eau pourrait pénétrer dans la fente. Maintenez toujours propre l'entrée de la fente.
14. Insérez toujours le connecteur sans fil dans le bon sens.
15. N'appuyez pas trop fort sur le bouton d'activation sans fil du connecteur sans fil, ni n'appuyez dessus avec un objet pointu.
16. Fermez toujours le couvercle de la fente pendant le fonctionnement.
17. Ne retirez pas le connecteur sans fil de la fente alors que l'outil est sous tension. Vous risqueriez de provoquer un dysfonctionnement du connecteur sans fil.
18. Ne retirez pas l'autocollant du connecteur sans fil.
19. Ne placez pas d'autocollant sur le connecteur sans fil.
20. Ne laissez pas le connecteur sans fil dans un endroit susceptible de générer de l'électricité statique ou du bruit électrique.
21. Ne laissez pas le connecteur sans fil dans un endroit soumis à une forte chaleur, comme une voiture en plein soleil.
22. Ne laissez pas le connecteur sans fil dans un endroit poussiéreux ou sablonneux ou dans un endroit susceptible de générer des gaz corrosifs.
23. De la condensation peut se former sur le connecteur sans fil en cas de brusque changement de température. N'utilisez pas le connecteur sans fil tant que la condensation n'a pas complètement séché.
24. Pour nettoyer le connecteur sans fil, essuyez-le délicatement avec un chiffon doux et sec. N'utilisez pas de benzine, diluant, graisse conductrice ou autre.
25. Rangez le connecteur sans fil en le conservant dans l'étui fourni ou dans un récipient anti-statique.
26. N'insérez pas d'autres dispositifs que le connecteur sans fil Makita dans la fente sur l'outil.
27. N'utilisez pas l'outil si le couvercle de la fente est endommagé. L'eau, la poussière ou la saleté pourraient pénétrer dans la fente provoquant un dysfonctionnement.
28. Ne tirez, ni ne tordez plus que nécessaire le couvercle de la fente. Remettez le couvercle en place s'il se détache de l'outil.
29. Remplacez le couvercle de la fente si vous le perdez ou l'endommagez.

## CONSERVEZ CES INSTRUCTIONS.

## DESCRIPTION DU FONCTIONNEMENT

**ATTENTION** : Assurez-vous toujours que l'outil est hors tension et que sa batterie est retirée avant de l'ajuster ou de vérifier son fonctionnement.

### Insertion ou retrait de la batterie

**ATTENTION** : Éteignez toujours l'outil avant de mettre en place ou de retirer la batterie.

**ATTENTION** : Tenez fermement l'outil et la batterie lors de la mise en place ou du retrait de la batterie. Si vous ne tenez pas fermement l'outil et la batterie, ils peuvent vous glisser des mains, et s'abîmer ou vous blesser.

**ATTENTION** : Abaissez toujours la base lors de l'insertion ou du retrait des batteries. Prenez garde de ne pas vous pincer les doigts.

**ATTENTION** : N'utilisez pas l'adaptateur pour batterie avec la scie circulaire. Le câble de l'adaptateur pour batterie pourrait gêner le fonctionnement et provoquer des blessures corporelles.

► Fig.7: 1. Levier 2. Voyant rouge 3. Bouton 4. Batterie

Avant de retirer la batterie, desserrez le levier de réglage de la profondeur pour abaisser la base de l'outil. Ensuite, sortez la batterie de l'outil en faisant glisser le bouton à l'avant de la batterie.

Pour mettre en place la batterie, alignez la languette sur la batterie avec la rainure sur le compartiment et insérez-la. Insérez-la à fond jusqu'à ce qu'un léger déclic se fasse entendre. Si le voyant rouge sur le dessus du bouton est visible, cela signifie qu'elle n'est pas bien verrouillée.

**ATTENTION** : Insérez toujours complètement la batterie jusqu'à ce que le voyant rouge ne soit plus visible. Sinon, elle pourrait tomber accidentellement de l'outil, au risque de vous blesser ou de blesser quelqu'un se trouvant près de vous.

**ATTENTION** : N'insérez pas la batterie de force. Si elle ne glisse pas facilement, c'est que vous ne l'insérez pas correctement.

**NOTE** : L'outil ne fonctionne pas avec une seule batterie.

## Système de protection de l'outil/la batterie

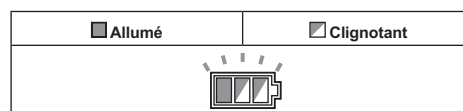
L'outil est équipé d'un système de protection de l'outil/la batterie. Ce système coupe automatiquement l'alimentation vers le moteur pour prolonger la durée de vie de l'outil et de la batterie. Si l'outil ou la batterie se trouve dans l'une des situations suivantes, l'outil cessera automatiquement de fonctionner. Dans certaines situations, les témoins s'allument.

### Protection contre la surcharge

Lorsque l'outil est utilisé d'une manière provoquant un appel de courant anormalement élevé, il s'arrête automatiquement. Dans ce cas, éteignez l'outil et arrêtez la tâche ayant provoqué la surcharge de l'outil. Puis rallumez l'outil pour reprendre la tâche.

### Protection contre la surchauffe

En cas de surchauffe de l'outil, celui-ci s'arrête automatiquement et le témoin de la batterie clignote pendant 60 secondes environ. Dans ce cas, laissez l'outil refroidir avant de le rallumer.



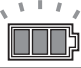
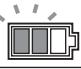
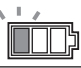

### Protection contre la décharge totale de la batterie

Lorsque la charge restante de la batterie devient très faible, l'outil s'arrête automatiquement. Si le produit ne fonctionne pas même en actionnant les boutons, retirez les batteries de l'outil et chargez-les.

## Indication de la charge restante de la batterie

► Fig.8: 1. Témoin de la batterie 2. Bouton de vérification

Appuyez sur le bouton de vérification pour indiquer la charge restante de la batterie. Les témoins de batterie correspondent à chaque batterie.

Statut du témoin de la batterie			Charge restante de la batterie
<input checked="" type="checkbox"/> Allumé	<input type="checkbox"/> Éteint	<input checked="" type="checkbox"/> Clignotant	
			50 % à 100 %
			20 % à 50 %
			0 % à 20 %
			Chargez la batterie

## Indication de la charge restante de la batterie

Uniquement pour les batteries avec voyant lumineux

► Fig.9: 1. Témoins 2. Bouton de vérification

Appuyez sur le bouton de vérification sur la batterie pour indiquer la charge restante de la batterie. Les témoins s'allument pendant quelques secondes.

Témoins			Charge restante
Allumé	Éteint	Clignotant	
■	□	◐	75 % à 100 %
■	■	□	50 % à 75 %
■	■	□	25 % à 50 %
■	□	□	0 % à 25 %
◐	□	□	Chargez la batterie.
■	■	□	Anomalie possible de la batterie.
□	□	■	

**NOTE :** Selon les conditions d'utilisation et la température ambiante, l'indication peut être légèrement différente de la capacité réelle.

## Fonctionnement de la gâchette

**AVERTISSEMENT :** Avant d'insérer la batterie dans l'outil, vérifiez toujours que la gâchette fonctionne bien et revient en position d'arrêt lorsque vous la relâchez.

**AVERTISSEMENT :** NE bloquez JAMAIS le bouton de sécurité avec du ruban ou de toute autre manière. Une gâchette dont le bouton de sécurité est bloqué comporte un risque d'activation accidentelle pouvant entraîner de graves blessures.

**AVERTISSEMENT :** N'utilisez JAMAIS l'outil s'il se met en marche lorsque vous enclenchez simplement la gâchette sans avoir enfoncé le bouton de sécurité. Une gâchette devant être réparée comporte un risque d'activation accidentelle pouvant entraîner de graves blessures. Confiez l'outil à un centre d'entretien Makita pour le faire réparer AVANT de poursuivre l'utilisation.

Un bouton de sécurité a été prévu pour éviter l'activation accidentelle de la gâchette. Pour démarrer l'outil, enfoncez le bouton de sécurité puis enclenchez la gâchette. Pour arrêter l'outil, relâchez la gâchette.

► Fig.10: 1. Gâchette 2. Bouton de sécurité

**REMARQUE :** Évitez d'appuyer sur la gâchette avec force lorsque le bouton de sécurité n'est pas enfoncé. Vous risqueriez de briser la gâchette.

**ATTENTION :** L'outil démarre pour freiner la rotation de la lame de scie circulaire immédiatement après que vous relâchez la gâchette. Tenez fermement l'outil pour réagir à la réaction du frein lorsque vous relâchez la gâchette. Une réaction soudaine peut vous faire lâcher l'outil et vous blesser.

## Fonction de changement automatique de vitesse

Cet outil est pourvu d'un « mode grande vitesse » et d'un « mode couple élevé ».

L'outil change automatiquement de mode de fonctionnement en fonction de la charge de travail. Lorsque la charge de travail est faible, l'outil fonctionne en « mode grande vitesse » pour une découpe plus rapide. Lorsque la charge de travail est élevée, l'outil fonctionne en « mode couple élevé » pour une découpe puissante.

► Fig.11: 1. Témoin de mode

Le témoin de mode s'allume en vert lorsque l'outil fonctionne en « mode couple élevé ».

Si l'outil est utilisé avec une charge excessive, le témoin de mode clignote en vert. Le témoin de mode cesse de clignoter, puis s'allume ou s'éteint si vous réduisez la charge sur l'outil.

Statut du témoin de mode			Mode de fonctionnement
Allumé	Éteint	Clignotant	
●	○	◐	Mode grande vitesse
●	○	○	Mode couple élevé
●	○	◐	Alerte en cas de surcharge

## Réglage de la profondeur de coupe

**ATTENTION :** Après avoir réglé la profondeur de coupe, serrez toujours solidement le levier.

Desserrez le levier sur le guide de profondeur et déplacez la base en haut ou en bas. À la profondeur de coupe souhaitée, fixez la base en serrant le levier. Pour obtenir des coupes plus propres et plus sûres, réglez la profondeur de coupe de sorte que pas plus d'une dent de lame ne dépasse sous la pièce. L'utilisation d'une profondeur de coupe adéquate aide à réduire les risques de dangereux CHOCS EN RETOUR et de blessures.

► Fig.12: 1. Levier

## Coupe en biseau

**ATTENTION :** Après avoir ajusté l'angle de coupe en biseau, serrez toujours fermement les vis de serrage.

Desserrez les vis de serrage. Faites le réglage en inclinant selon l'angle souhaité, puis serrez fermement les vis de serrage.

► Fig.13: 1. Vis de serrage

Utilisez la butée lorsque vous effectuez une coupe précise à un angle de 45°. Tournez complètement la butée comme illustré selon que vous effectuez une coupe en biseau à 0° - 45° ou une coupe en biseau à 0° - 48°.

► Fig.14: 1. Butée

## Visée

Pour les coupes rectilignes, alignez la position 0° à l'avant de la base sur la ligne de coupe. Pour les coupes en biseau de 45°, alignez la position 45° sur cette même ligne.

► **Fig.15:** 1. Ligne de coupe (position 0°) 2. Ligne de coupe (position 45°)

## Allumage de la lampe

**ATTENTION :** Évitez de regarder directement le faisceau lumineux ou sa source.

Pour allumer la lampe sans faire fonctionner l'outil, enclenchez la gâchette sans enfoncer le bouton de sécurité. Pour allumer la lampe en faisant fonctionner l'outil, maintenez enfoncé le bouton de sécurité et enclenchez la gâchette. La lampe s'éteint 10 secondes après avoir relâché la gâchette.

► **Fig.16:** 1. Lampe

**NOTE :** Retirez la saleté sur la lentille de la lampe avec un chiffon sec. Prenez soin de ne pas érafler la lentille de la lampe sous peine de diminuer son éclairage.

## Crochet

### Accessoire en option

**ATTENTION :** Retirez toujours la batterie lorsque l'outil est suspendu par son crochet.

**ATTENTION :** N'accrochez jamais l'outil à un endroit élevé ou sur des surfaces où il pourrait perdre l'équilibre et tomber.

**ATTENTION :** Ne tirez pas l'outil vers le bas lorsqu'il est accroché.

Le crochet est pratique pour suspendre temporairement l'outil.

► **Fig.17**

Fixez le crochet avec les vis comme illustré.

► **Fig.18:** 1. Crochet 2. Vis

Pour utiliser le crochet, il suffit de le tourner jusqu'à ce qu'il se verrouille en position ouverte.

Si vous n'utilisez pas le crochet, il faut toujours le tourner jusqu'à ce qu'il se verrouille en position fermée.

► **Fig.19:** 1. Position ouverte 2. Position fermée

## Frein électrique

Cet outil est équipé d'un frein de lame électrique. Si systématiquement l'outil n'arrive pas à arrêter la lame de scie circulaire après le relâchement du levier d'interrupteur, faites réparer l'outil dans un centre de service Makita.

**ATTENTION :** Le système de frein de lame n'est pas destiné à remplacer le carter de protection. N'UTILISEZ JAMAIS UN OUTIL DONT LE CARTER DE PROTECTION EST DÉFECTUEUX. CELA PRÉSENTE UN RISQUE DE BLESSURE GRAVE.

## Fonction électronique

La ou les caractéristiques suivantes facilitent l'utilisation des outils munis de fonctions électroniques.

### Fonction de démarrage en douceur

La suppression du choc de démarrage permet un démarrage en douceur.

## ASSEMBLAGE

**ATTENTION :** Assurez-vous toujours que l'outil est hors tension et que sa batterie est retirée avant d'effectuer toute tâche dessus.

## Rangement de la clé hexagonale

Lorsque vous n'utilisez pas la clé hexagonale, rangez-la tel qu'indiqué sur l'illustration pour éviter de la perdre.

► **Fig.20:** 1. Clé hexagonale

## Dépose ou pose de la lame de scie circulaire

**ATTENTION :** Assurez-vous que la lame de scie circulaire est installée avec les dents orientées vers le haut à l'avant de l'outil.

**ATTENTION :** Utilisez exclusivement la clé Makita pour poser ou retirer la lame de scie circulaire.

Pour retirer la lame de scie circulaire, enfoncez complètement le blocage de l'arbre de sorte que la lame de scie circulaire ne puisse pas tourner et utilisez la clé hexagonale pour desserrer le boulon hexagonal. Ensuite, retirez le boulon hexagonal, le flasque extérieur, la lame de scie circulaire et l'anneau (selon le pays).

► **Fig.21:** 1. Blocage de l'arbre 2. Clé hexagonale 3. Desserrer 4. Serrer

### Pour les outils sans anneau

► **Fig.22:** 1. Boulon hexagonal 2. Flasque extérieure 3. Lame de scie circulaire 4. Flasque intérieure

### Pour les outils avec anneau

► **Fig.23:** 1. Boulon hexagonal 2. Flasque extérieure 3. Lame de scie circulaire 4. Anneau 5. Flasque intérieure

Pour installer la lame de scie circulaire, suivez la procédure de retrait en sens inverse.

## Pour les outils avec une flasque intérieure pour une autre lame que la lame de scie avec un diamètre de l'orifice de 15,88 mm

La flasque intérieure présente une partie saillante d'un diamètre donné d'un côté et une partie saillante d'un diamètre différent de l'autre côté. Choisissez le bon côté sur lequel la partie saillante s'engage parfaitement dans l'orifice de la lame de scie. Montez la flasque intérieure sur l'arbre de montage de sorte que le bon côté de la partie saillante sur la flasque intérieure soit tourné vers l'extérieur, puis placez la lame de scie et la flasque extérieure.

► **Fig.24:** 1. Arbre de montage 2. Flasque intérieure 3. Lame de scie circulaire 4. Flasque extérieure 5. Boulon hexagonal

**⚠AVERTISSEMENT : ASSUREZ-VOUS D'AVOIR FERMEMENT SERRÉ LE BOULON HEXAGONAL, DANS LE SENS DES AIGUILLES D'UNE MONTRE. Prenez également soin de ne pas trop serrer le boulon. Vous risquez de vous blesser si votre main s'échappe de la clé hexagonale.**

**⚠AVERTISSEMENT : Assurez-vous que la partie saillante « a » sur la flasque intérieure positionnée à l'extérieur s'engage parfaitement dans l'orifice de la lame de scie « a ». La fixation de la lame du mauvais côté peut provoquer des vibrations dangereuses.**

### Pour les outils avec une flasque intérieure pour lame de scie (propre au pays) avec un diamètre de l'orifice de 15,88 mm

Montez la flasque intérieure avec son côté encastré tourné vers l'extérieur sur l'arbre de montage, puis placez la lame de scie (avec l'anneau fixé, au besoin), la flasque extérieure et le boulon hexagonal.

#### Pour les outils sans anneau

► **Fig.25:** 1. Arbre de montage 2. Flasque intérieure 3. Lame de scie circulaire 4. Flasque extérieure 5. Boulon hexagonal

#### Pour les outils avec anneau

► **Fig.26:** 1. Arbre de montage 2. Flasque intérieure 3. Lame de scie circulaire 4. Flasque extérieure 5. Boulon hexagonal 6. Anneau

**⚠AVERTISSEMENT : ASSUREZ-VOUS D'AVOIR FERMEMENT SERRÉ LE BOULON HEXAGONAL, DANS LE SENS DES AIGUILLES D'UNE MONTRE. Prenez également soin de ne pas trop serrer le boulon. Vous risquez de vous blesser si votre main s'échappe de la clé hexagonale.**

**⚠AVERTISSEMENT : Si l'anneau est nécessaire pour monter la lame sur la broche, assurez-vous toujours que le bon anneau pour l'orifice central de lame que vous avez l'intention d'utiliser est installé entre les flasques intérieure et extérieure. L'utilisation d'un anneau avec orifice central incorrect peut provoquer une mauvaise fixation de la lame, entraînant un mouvement de la lame et de fortes vibrations susceptibles de produire une perte de contrôle pendant l'utilisation et de graves blessures.**

### Nettoyage du carter de protection

Lorsque vous changez la lame de scie circulaire, n'oubliez pas d'enlever également la sciure de bois accumulée sur les carters de lame supérieur et inférieur comme indiqué dans la section Entretien. Même après ce nettoyage, il est toujours nécessaire de vérifier le bon fonctionnement du carter de protection inférieur avant chaque utilisation.

### Raccordement à un aspirateur

Pour effectuer une opération de coupe propre, raccordez un aspirateur Makita à l'outil. Raccordez le tuyau de l'aspirateur au raccord à poussière comme illustré sur la figure.

► **Fig.27:** 1. Raccord à poussière 2. Vis

► **Fig.28:** 1. Tuyau 2. Aspirateur

## UTILISATION

Cet outil est conçu pour couper des produits en bois. Si vous utilisez des lames de scie circulaire Makita appropriées, vous pouvez également scier les matériaux suivants :

- Produits en aluminium

Consultez notre site Web ou contactez votre revendeur Makita local pour connaître les bonnes lames de scie circulaire à utiliser selon le matériau à couper.

### Vérification du fonctionnement du carter de protection de lame

Réglez l'angle de coupe en biseau sur 0°, puis rétractez manuellement le carter de protection inférieur jusqu'au bout et relâchez-le. Le carter de protection inférieur fonctionne correctement si :

- il se rétracte au-dessus de la base sans entrave et ;
- il revient automatiquement et entre en contact avec la butée.

► **Fig.29:** 1. Carter de protection supérieur 2. Carter de protection inférieur 3. Base 4. Butée 5. Ouvrir 6. Fermer

Si le carter de protection inférieur ne fonctionne pas correctement, vérifiez si de la sciure fine s'est accumulée à l'intérieur des carters de protection supérieur et inférieur. Si le carter de protection inférieur ne fonctionne pas correctement même après avoir retiré la sciure, confiez l'outil à un centre de service après-vente Makita.

### Coupe

**⚠ATTENTION : Portez un masque antipoussière lorsque vous effectuez une coupe.**

**⚠ATTENTION : Assurez-vous de déplacer l'outil doucement vers l'avant, en ligne droite. Le fait de forcer ou de tordre l'outil entraînera une surchauffe du moteur et un dangereux choc en retour, risquant de provoquer une blessure grave.**

**NOTE :** Si la température de la batterie est basse, il se peut que l'outil ne fonctionne pas à son plein potentiel. Pour l'instant, par exemple, utilisez l'outil pour une coupe légère pendant un moment jusqu'à ce que la batterie soit à température ambiante. Ensuite, l'outil peut fonctionner à son plein potentiel.

► Fig.30

Tenez l'outil fermement. L'outil comporte une poignée avant et une poignée arrière. Utilisez les deux poignées pour mieux tenir l'outil. De plus, lorsque la scie est saisie à deux mains, celles-ci ne risquent pas d'être coupées par la lame de scie circulaire. Placez la base de l'outil sur la pièce à couper de sorte que la lame de scie circulaire n'entre pas en contact avec quoi que ce soit. Mettez ensuite l'outil sous tension et attendez que la lame de scie circulaire atteigne sa pleine vitesse. Déplacez ensuite simplement l'outil vers l'avant sur la surface de la pièce, en le maintenant à plat et en le faisant avancer doucement jusqu'à ce que la coupe soit terminée.

Pour obtenir des coupes propres, maintenez la ligne de coupe bien droite et la vitesse de progression constante. Si la lame dévie de la ligne de coupe prévue, ne tentez pas de modifier la course de l'outil pour le forcer à revenir sur la ligne de coupe. Vous risqueriez de plier la lame de scie circulaire et de provoquer un dangereux choc en retour pouvant causer une blessure grave. Relâchez la gâchette, attendez jusqu'à l'arrêt complet de la lame de scie circulaire, puis retirez l'outil. Réalignez l'outil sur une nouvelle ligne de coupe, puis poursuivez la coupe. Évitez toute position vous exposant aux copeaux et poussières de bois éjectés par la scie. Portez un protecteur pour la vue afin d'éviter les blessures.

### Guide parallèle (règle de guidage)

**⚠ ATTENTION :** Assurez-vous que le guide parallèle est bien installé dans la bonne position avant de l'utiliser. Une pose incorrecte peut entraîner un recul dangereux.

► Fig.31: 1. Guide parallèle (règle de guidage) 2. Vis de serrage

Un guide parallèle pratique vous permet d'effectuer des coupes rectilignes d'une extrême précision. Faites simplement glisser le guide parallèle le long du côté de la pièce en le maintenant en position à l'aide de la vis située à l'avant de la base. Cela permet également d'effectuer plusieurs coupes d'une largeur uniforme.

### Rail de guidage

#### Accessoire en option

Placez l'outil sur l'extrémité arrière du rail de guidage. Tournez deux vis de réglage sur le socle de l'outil de sorte que celui-ci glisse en douceur sans cliquetis. Tenez à la fois la poignée avant et la poignée arrière de l'outil fermement. Mettez l'outil sous tension et coupez le long du pare-éclats, en une seule passe, sur toute la longueur. À présent, le bord du pare-éclats correspond à la position du tranchant.

► Fig.32: 1. Vis de réglage

Lors de la coupe en biseau avec le rail de guidage, utilisez le levier coulissant pour empêcher l'outil de basculer.

Déplacez le levier coulissant sur le socle de l'outil dans le sens de la flèche de sorte qu'il s'engage dans la rainure de dégagement sur le rail de guidage.

► Fig.33: 1. Levier coulissant

### Raccordement de la longe (sangle de retenue)

#### ⚠ Consignes de sécurité spécifiques à l'utilisation en hauteur

Lisez toutes les consignes de sécurité et instructions. Le non-respect des avertissements et instructions peut entraîner de graves blessures.

1. **L'outil doit toujours être attaché lorsque vous travaillez en hauteur. La longueur maximum de la longe est de 2 m.**
2. **Utilisez uniquement des longes convenant à ce type d'outil et conçues pour supporter au moins 6,0 kg (13,3 lbs).**
3. **N'accrochez pas la longe de l'outil à quoi que ce soit sur votre corps ou à des éléments mobiles. Accrochez la longe de l'outil à une structure rigide capable de supporter la force exercée par la chute d'un outil.**
4. **Assurez-vous que la longe est correctement fixée à chaque extrémité avant utilisation.**
5. **Vérifiez que l'outil et la longe ne sont pas endommagés et fonctionnent correctement avant chaque utilisation (y compris le tissu et les coutures). Ne les utilisez pas s'ils sont endommagés ou fonctionnent mal.**
6. **N'enroulez pas les longes autour de bords rugueux ou coupants, ni ne les laissez entrer en contact avec des bords rugueux ou coupants.**
7. **Serrez l'autre extrémité de la longe en dehors de l'espace de travail de sorte qu'un outil tombant soit retenu en sécurité.**
8. **Fixez la longe de sorte que l'outil s'éloigne de l'utilisateur en cas de chute. Les outils tombés se balanceront sur la longe, ce qui pourrait provoquer des blessures ou une perte d'équilibre.**
9. **Ne les utilisez pas à proximité de pièces en mouvement ou de machines en fonctionnement. Le non-respect de cette précaution présente un risque d'écrasement ou d'enchevêtrement.**
10. **Ne transportez pas l'outil en le tenant par le dispositif de fixation ou la longe.**
11. **Faites passer l'outil d'une main à l'autre uniquement si vous avez un bon équilibre.**
12. **Ne fixez pas les longes à l'outil d'une manière qui empêche les carters de protection, les commutateurs ou les verrouillages de fonctionner correctement.**
13. **Évitez de vous empêtrer dans la longe.**
14. **Éloignez la longe de la zone de coupe de l'outil.**
15. **Utilisez des mousquetons à bague vissée et à ouverture double ou triple action. N'utilisez pas de mousquetons à ressort à ouverture action unique.**
16. **Si l'outil tombe, il doit être marqué et mis hors service, puis être confié à une usine Makita ou à un centre de service après-vente Makita agréé pour inspection.**

► Fig.34: 1. Orifice pour la longe (sangle de retenue)



## FONCTION D'ACTIVATION SANS FIL

Pour le DHS783 uniquement

### À quoi sert la fonction d'activation sans fil

La fonction d'activation sans fil offre un fonctionnement propre et confortable. En raccordant un aspirateur compatible à l'outil, vous pouvez déclencher automatiquement l'aspirateur en utilisant l'interrupteur de l'outil.

► Fig.35

Pour utiliser la fonction d'activation sans fil, préparez les éléments suivants :

- Un connecteur sans fil (accessoire en option)
- Un aspirateur compatible avec la fonction d'activation sans fil

Vous trouverez ci-après une vue d'ensemble de la fonction d'activation sans fil. Consultez chaque section pour en savoir plus sur la marche à suivre.

1. Installation du connecteur sans fil
2. Enregistrement de l'outil pour l'aspirateur
3. Démarrage de la fonction d'activation sans fil

### Installation du connecteur sans fil

Accessoire en option

**⚠ ATTENTION :** Placez l'outil sur une surface plane et stable pour y installer le connecteur sans fil.

**REMARQUE :** Retirez la poussière et la saleté sur l'outil avant d'installer le connecteur sans fil. La poussière ou la saleté peuvent provoquer des dysfonctionnements si elles pénètrent dans la fente sur le connecteur sans fil.

**REMARQUE :** Pour éviter un dysfonctionnement provoqué par l'électricité statique, touchez un matériau conducteur comme la partie métallique de l'outil, avant de prendre dans vos mains le connecteur sans fil.

**REMARQUE :** Lorsque vous installez le connecteur sans fil, veillez toujours à l'insérer dans le bon sens et assurez-vous que le couvercle est complètement fermé.

1. Ouvrez le couvercle sur l'outil comme illustré sur la figure.

► Fig.36: 1. Couvercle

2. Insérez le connecteur sans fil dans la fente, puis refermez le couvercle.

Lors de l'insertion du connecteur sans fil, alignez les parties saillantes avec les parties creuses sur la fente.

- Fig.37: 1. Connecteur sans fil 2. Partie saillante 3. Couvercle 4. Partie creuse

Pour retirer le connecteur sans fil, ouvrez lentement le couvercle. Les crochets au dos du couvercle soulèveront le connecteur sans fil à mesure que vous tirez le couvercle vers le haut.

- Fig.38: 1. Connecteur sans fil 2. Crochet 3. Couvercle

Après avoir retiré le connecteur sans fil, gardez-le dans l'étui fourni ou dans un récipient anti-statique.

**REMARQUE :** Utilisez toujours les crochets au dos du couvercle lorsque vous retirez le connecteur sans fil. Si les crochets ne s'attachent pas au connecteur sans fil, fermez complètement le couvercle, puis rouvrez-le lentement.

### Enregistrement de l'outil pour l'aspirateur

**NOTE :** Un aspirateur Makita compatible avec la fonction d'activation sans fil est nécessaire pour l'enregistrement de l'outil.

**NOTE :** Terminez la mise en place du connecteur sans fil sur l'outil avant de commencer l'enregistrement de l'outil.

**NOTE :** Pendant l'enregistrement de l'outil, n'enclenchez pas la gâchette, ni ne mettez sous tension l'aspirateur.

**NOTE :** Consultez aussi le mode d'emploi de l'aspirateur.

Si vous souhaitez activer l'aspirateur en utilisant l'interrupteur de l'outil, terminez d'abord l'enregistrement de l'outil.

1. Insérez les batteries dans l'aspirateur et l'outil.
2. Placez le bouton de veille de l'aspirateur sur « AUTO ».

► Fig.39: 1. Bouton de veille

3. Appuyez sur le bouton d'activation sans fil de l'aspirateur pendant 3 secondes jusqu'à ce que le témoin d'activation sans fil clignote en vert. Puis appuyez sur le bouton d'activation sans fil de l'outil de la même façon.

► Fig.40: 1. Bouton d'activation sans fil 2. Témoin d'activation sans fil

Si la liaison entre l'aspirateur et l'outil est réussie, les témoins d'activation sans fil s'allumeront en vert pendant 2 secondes et se mettront à clignoter en bleu.

**NOTE :** Les témoins d'activation sans fil cessent de clignoter en vert au bout de 20 secondes. Appuyez sur le bouton d'activation sans fil de l'outil pendant que le témoin d'activation sans fil de l'aspirateur clignote. Si le témoin d'activation sans fil ne clignote pas en vert, appuyez brièvement sur le bouton d'activation sans fil et maintenez-le à nouveau enfoncé.

**NOTE :** Si vous effectuez plus de deux enregistrements d'outils pour un seul aspirateur, terminez-les l'un après l'autre.

### Démarrage de la fonction d'activation sans fil

**NOTE :** Terminez l'enregistrement de l'outil pour l'aspirateur avant l'activation sans fil.

**NOTE :** Consultez aussi le mode d'emploi de l'aspirateur.

Après avoir enregistré un outil sur l'aspirateur, ce dernier se déclenchera automatiquement en utilisant l'interrupteur de l'outil.

1. Installez le connecteur sans fil sur l'outil.
2. Raccordez le tuyau de l'aspirateur à l'outil.

► Fig.41

3. Placez le bouton de veille de l'aspirateur sur « AUTO ».
  - **Fig.42:** 1. Bouton de veille
  4. Appuyez brièvement sur le bouton d'activation sans fil sur l'outil. Le témoin d'activation sans fil clignote en bleu.
  - **Fig.43:** 1. Bouton d'activation sans fil 2. Témoin d'activation sans fil
  5. Enclenchez la gâchette de l'outil. Vérifiez que l'aspirateur fonctionne alors que la gâchette est enclenchée.
- Pour arrêter l'activation sans fil de l'aspirateur, appuyez sur le bouton d'activation sans fil de l'outil.

**NOTE :** Le témoin d'activation sans fil de l'outil cessera de clignoter en bleu en l'absence d'opérations pendant 2 heures. Dans ce cas, placez le bouton de veille de l'aspirateur sur « AUTO » et appuyez à nouveau sur le bouton d'activation sans fil de l'outil.

**NOTE :** L'aspirateur démarre/s'arrête avec un léger retard. Il y a un décalage lorsque l'aspirateur détecte l'utilisation de l'interrupteur de l'outil.

**NOTE :** La distance de transmission du connecteur sans fil peut varier selon l'emplacement et les conditions environnantes.

**NOTE :** Si plus de deux outils sont enregistrés sur un aspirateur, ce dernier peut se mettre en marche sans que vous enclenchiez la gâchette, car un autre utilisateur emploie la fonction d'activation sans fil.

## Description du statut du témoin d'activation sans fil

- **Fig.44:** 1. Témoin d'activation sans fil

Le témoin d'activation sans fil indique le statut de la fonction d'activation sans fil. Consultez le tableau ci-dessous pour la signification du statut du témoin.

Statut	Témoin d'activation sans fil			Description	
	Couleur	<input type="checkbox"/> Allumé	<input type="checkbox"/> Clignotant		Durée
Veille	Bleu	<input checked="" type="checkbox"/>		2 heures	L'activation sans fil de l'aspirateur est disponible. Le témoin s'éteint automatiquement en l'absence d'opérations pendant 2 heures.
		<input type="checkbox"/>		Pendant le fonctionnement de l'outil.	L'activation sans fil de l'aspirateur est disponible et l'outil fonctionne.
Enregistrement de l'outil	Vert	<input checked="" type="checkbox"/>		20 secondes	Prêt pour l'enregistrement de l'outil. En attente d'enregistrement par l'aspirateur.
		<input type="checkbox"/>		2 secondes	L'enregistrement de l'outil est terminé. Le témoin d'activation sans fil se met à clignoter en bleu.
Annulation de l'enregistrement de l'outil	Rouge	<input checked="" type="checkbox"/>		20 secondes	Prêt pour l'annulation de l'enregistrement de l'outil. En attente d'annulation par l'aspirateur.
		<input type="checkbox"/>		2 secondes	L'annulation de l'enregistrement de l'outil est terminée. Le témoin d'activation sans fil se met à clignoter en bleu.
Autres	Rouge	<input type="checkbox"/>		3 secondes	Le connecteur sans fil est alimenté en électricité et la fonction d'activation sans fil démarre.
	Éteint	-		-	L'activation sans fil de l'aspirateur est arrêtée.

## Annulation de l'enregistrement de l'outil pour l'aspirateur

Procédez comme indiqué ci-après pour annuler l'enregistrement de l'outil pour l'aspirateur.

1. Insérez les batteries dans l'aspirateur et l'outil.
2. Placez le bouton de veille de l'aspirateur sur « AUTO ».
- **Fig.45:** 1. Bouton de veille
3. Appuyez sur le bouton d'activation sans fil de l'aspirateur pendant 6 secondes. Le témoin d'activation sans fil clignote en vert, puis devient rouge. Après cela, appuyez sur le bouton d'activation sans fil de l'outil de la même façon.
- **Fig.46:** 1. Bouton d'activation sans fil 2. Témoin d'activation sans fil

Si l'annulation est réussie, les témoins d'activation sans fil s'allumeront en rouge pendant 2 secondes et se mettront à clignoter en bleu.

**NOTE :** Les témoins d'activation sans fil arrêtent de clignoter en rouge au bout de 20 secondes. Appuyez sur le bouton d'activation sans fil de l'outil pendant que le témoin d'activation sans fil de l'aspirateur clignote. Si le témoin d'activation sans fil ne clignote pas en rouge, appuyez brièvement sur le bouton d'activation sans fil et maintenez-le à nouveau enfoncé.

## Guide de dépannage de la fonction d'activation sans fil

Avant de faire une demande de réparation, effectuez d'abord vous-même une inspection. Si vous rencontrez un problème non documenté dans le mode d'emploi, n'essayez pas de démonter l'outil. Demandez plutôt à un centre de service après-vente Makita agréé d'effectuer la réparation au moyen de pièces de rechange Makita.

État d'anomalie	Cause probable (dysfonctionnement)	Solution
Le témoin d'activation sans fil ne s'allume pas ou ne clignote pas.	Le connecteur sans fil n'est pas installé sur l'outil. Le connecteur sans fil est mal installé sur l'outil.	Installez correctement le connecteur sans fil.
	La borne du connecteur sans fil et/ou la fente sont sales.	Essuyez délicatement la poussière et la saleté sur la borne du connecteur sans fil et nettoyez la fente.
	Le bouton d'activation sans fil de l'outil n'a pas été enfoncé.	Appuyez brièvement sur le bouton d'activation sans fil sur l'outil.
	Le bouton de veille de l'aspirateur n'est pas placé sur « AUTO ».	Placez le bouton de veille de l'aspirateur sur « AUTO ».
	Pas d'alimentation électrique	Mettez sous tension l'outil électrique et l'aspirateur.
Impossible de terminer correctement l'enregistrement de l'outil/l'annulation de l'enregistrement de l'outil.	Le connecteur sans fil n'est pas installé sur l'outil. Le connecteur sans fil est mal installé sur l'outil.	Installez correctement le connecteur sans fil.
	La borne du connecteur sans fil et/ou la fente sont sales.	Essuyez délicatement la poussière et la saleté sur la borne du connecteur sans fil et nettoyez la fente.
	Le bouton de veille de l'aspirateur n'est pas placé sur « AUTO ».	Placez le bouton de veille de l'aspirateur sur « AUTO ».
	Pas d'alimentation électrique	Mettez sous tension l'outil électrique et l'aspirateur.
	Fonctionnement incorrect	Appuyez brièvement sur le bouton d'activation sans fil et recommencez l'enregistrement de l'outil/l'annulation de l'enregistrement de l'outil.
	L'outil et l'aspirateur sont éloignés l'un de l'autre (hors de la portée de transmission).	Rapprochez l'outil de l'aspirateur. La distance de transmission maximum est d'environ 10 m, toutefois elle peut varier selon les circonstances.
	Avant de finir l'enregistrement de l'outil/l'annulation de l'enregistrement de l'outil : - la gâchette de l'outil est enclenchée ou ; - le bouton d'alimentation de l'aspirateur est placé sur Marche.	Appuyez brièvement sur le bouton d'activation sans fil et recommencez l'enregistrement de l'outil/l'annulation de l'enregistrement de l'outil.
	Les procédures d'enregistrement de l'outil pour l'outil ou l'aspirateur ne sont pas terminées.	Procédez à l'enregistrement de l'outil à la fois pour l'outil et l'aspirateur en même temps.
	Interférence radio d'autres appareils qui génèrent des ondes radio puissantes.	Maintenez l'outil et l'aspirateur à l'écart des appareils comme des appareils Wi-Fi et des fours à micro-ondes.
L'aspirateur ne se met pas en marche avec l'utilisation de l'interrupteur de l'outil.	Le connecteur sans fil n'est pas installé sur l'outil. Le connecteur sans fil est mal installé sur l'outil.	Installez correctement le connecteur sans fil.
	La borne du connecteur sans fil et/ou la fente sont sales.	Essuyez délicatement la poussière et la saleté sur la borne du connecteur sans fil et nettoyez la fente.
	Le bouton d'activation sans fil de l'outil n'a pas été enfoncé.	Appuyez brièvement sur le bouton d'activation sans fil et assurez-vous que le témoin d'activation sans fil clignote en bleu.
	Le bouton de veille de l'aspirateur n'est pas placé sur « AUTO ».	Placez le bouton de veille de l'aspirateur sur « AUTO ».
	Plus de 10 outils sont enregistrés sur l'aspirateur.	Recommencez l'enregistrement de l'outil. Si plus de 10 outils sont enregistrés sur l'aspirateur, l'outil enregistré le plus tôt sera automatiquement annulé.
	L'aspirateur a effacé tous les enregistrements d'outils.	Recommencez l'enregistrement de l'outil.
	Pas d'alimentation électrique	Mettez sous tension l'outil électrique et l'aspirateur.
	L'outil et l'aspirateur sont éloignés l'un de l'autre (hors de la portée de transmission).	Rapprochez l'outil de l'aspirateur. La distance de transmission maximum est d'environ 10 m, toutefois elle peut varier selon les circonstances.
Interférence radio d'autres appareils qui génèrent des ondes radio puissantes.	Maintenez l'outil et l'aspirateur à l'écart des appareils comme des appareils Wi-Fi et des fours à micro-ondes.	
L'aspirateur fonctionne alors que la gâchette de l'outil n'est pas enclenchée.	D'autres utilisateurs emploient la fonction d'activation sans fil de l'aspirateur avec leurs outils.	Placez le bouton d'activation sans fil des autres outils sur Arrêt ou annulez l'enregistrement de l'outil des autres outils.

## ENTRETIEN

**ATTENTION** : Assurez-vous toujours que l'outil est hors tension et que la batterie est retirée avant d'y effectuer tout travail d'inspection ou d'entretien.

**ATTENTION** : Nettoyez les carters de protection inférieur et supérieur pour garantir l'absence de sciure de bois accumulée susceptible d'empêcher le bon fonctionnement du système de protection inférieur. Un système de protection encrassé peut empêcher le bon fonctionnement et entraîner de graves blessures. L'air comprimé est le moyen le plus efficace pour procéder au nettoyage. Si vous éliminez la poussière des carters de protection en la soufflant, veillez à utiliser une protection oculaire et respiratoire adéquate.

**ATTENTION** : Après chaque utilisation, essuyez la sciure sur l'outil. La sciure fine pourrait pénétrer à l'intérieur de l'outil et déclencher un dysfonctionnement ou un incendie.

**REMARQUE** : N'utilisez jamais d'essence, benzine, diluant, alcool ou autre produit similaire. Cela risquerait de provoquer la décoloration, la déformation ou la fissuration de l'outil.

Pour assurer la SÉCURITÉ et la FIABILITÉ du produit, toute réparation, tout travail d'entretien ou de réglage doivent être effectués par un centre d'entretien Makita agréé, avec des pièces de rechange Makita.

### Réglage de la précision de la coupe à 0° ou 45°

Ce réglage a été fait en usine. Mais s'il est incorrect, vous pouvez l'ajuster en procédant comme suit.

1. Desserrez les vis de serrage à l'avant et à l'arrière de l'outil de sorte à pouvoir modifier l'angle de coupe en biseau. Réglez la butée sur la position de l'angle de coupe en biseau à 0° - 45° si vous ajustez la précision de la coupe à 45°.

► Fig.47: 1. Butée

2. Placez la base perpendiculairement ou à 45° par rapport à la lame de scie circulaire au moyen d'une règle triangulaire en tournant la vis de réglage avec une clé hexagonale. Vous pouvez également utiliser une équerre pour ajuster l'angle à 0°.

► Fig.48: 1. Règle triangulaire

► Fig.49: 1. Vis de réglage pour angle à 0° 2. Vis de réglage pour angle à 45°

3. Serrez les vis de serrage, puis faites une coupe d'essai pour vérifier si l'angle souhaité est obtenu.

## Réglage du parallélisme

**ATTENTION** : Maintenez un parallélisme précis. Autrement, la lame de scie circulaire pourrait mordre dans le rail de guidage, et le rail de guidage endommagé pourrait provoquer des blessures.

Ce réglage a été fait en usine. Mais s'il est incorrect, vous pouvez l'ajuster en procédant comme suit.

1. Réglez l'outil sur la profondeur de coupe maximum.

2. Assurez-vous que tous les leviers et vis sont serrés.

3. Desserrez les vis illustrées sur la figure.

4. Tout en ouvrant le carter de protection inférieur, déplacez l'arrière de la base de sorte que la distance A et B devienne égale.

► Fig.50: 1. Vis 2. Base

5. Serrez les vis et faites une coupe d'essai pour vérifier le parallélisme.

## ACCESSOIRES EN OPTION

**ATTENTION** : Ces accessoires ou pièces complémentaires sont recommandés pour l'utilisation avec l'outil Makita spécifié dans ce mode d'emploi. L'utilisation de tout autre accessoire ou pièce complémentaire peut comporter un risque de blessure. N'utilisez les accessoires ou pièces complémentaires qu'aux fins auxquelles ils ont été conçus.

Pour obtenir plus de détails sur ces accessoires, contactez votre centre d'entretien local Makita.

- lame de scie circulaire
- Guide longitudinal (règle de guidage)
- Crochet
- Rail de guidage
- Guide pour biseau
- Pince
- Feuille
- Feuille de caoutchouc
- Feuille de position
- Raccord à poussière
- Clé hexagonale
- Connecteur sans fil (pour le DHS783)
- Batterie et chargeur Makita d'origine

**NOTE** : Il se peut que certains éléments de la liste soient compris dans l'emballage de l'outil en tant qu'accessoires standard. Ils peuvent varier d'un pays à l'autre.

## DEUTSCH (Original-Anleitung)

### TECHNISCHE DATEN

Modell:		DHS782	DHS783
Sägeblattdurchmesser		185 - 190 mm	
Max. Schnitttiefe	bei 0°	60,0 - 62,5 mm	
	bei 45° Neigungswinkel	43,0 - 44,5 mm	
	bei 48° Neigungswinkel	41,0 - 42,0 mm	
Leerlaufdrehzahl		6.000 min <sup>-1</sup>	
Gesamtlänge		348 mm	
Nennspannung		36 V Gleichstrom	
Nettogewicht		4,5 - 5,1 kg	

- Wir behalten uns vor, Änderungen der technischen Daten im Zuge der Entwicklung und des technischen Fortschritts ohne vorherige Ankündigung vorzunehmen.
- Die technischen Daten und der Akku können von Land zu Land unterschiedlich sein.
- Das Gewicht kann abhängig von dem Aufsatz (den Aufsätzen), einschließlich des Akkus, unterschiedlich sein. Die leichteste und die schwerste Kombination, gemäß dem EPTA-Verfahren 01/2014, sind in der Tabelle angegeben.

#### Zutreffende Akkus und Ladegeräte

Akku	BL1815N / BL1820 / BL1820B / BL1830 / BL1830B / BL1840 / BL1840B / BL1850 / BL1850B / BL1860B
Ladegerät	DC18RC / DC18RD / DC18RE / DC18SD / DC18SE / DC18SF

- Einige der oben aufgelisteten Akkus und Ladegeräte sind je nach Ihrem Wohngebiet eventuell nicht erhältlich.

**⚠️ WARNUNG:** Verwenden Sie nur die oben aufgeführten Akkus und Ladegeräte. Bei Verwendung irgendwelcher anderer Akkus und Ladegeräte besteht Verletzungs- und/oder Brandgefahr.

#### Vorgesehene Verwendung

Das Werkzeug ist für Geradschnitte in Längs- und Querrichtung sowie für schräge Gehrungsschnitte in Holz vorgesehen, wobei es in festem Kontakt mit dem Werkstück bleibt. Mit geeigneten Original-Makita-Sägeblättern können auch andere Materialien gesägt werden.

#### Geräusch

Typischer A-bewerteter Geräuschpegel ermittelt gemäß EN62841-2-5:

##### Modell DHS782

Schalldruckpegel ( $L_{pA}$ ): 93 dB (A)  
Schallleistungspegel ( $L_{WA}$ ): 104 dB (A)  
Messunsicherheit (K): 3 dB (A)

##### Modell DHS783

Schalldruckpegel ( $L_{pA}$ ): 93 dB (A)  
Schallleistungspegel ( $L_{WA}$ ): 104 dB (A)  
Messunsicherheit (K): 3 dB (A)

**HINWEIS:** Der (Die) angegebene(n) Schallemissionswert(e) wurde(n) im Einklang mit der Standardprüfmethode gemessen und kann (können) für den Vergleich zwischen Werkzeugen herangezogen werden.

**HINWEIS:** Der (Die) angegebene(n) Schallemissionswert(e) kann (können) auch für eine Vorbewertung des Gefährdungsgrads verwendet werden.

**⚠️ WARNUNG:** Einen Gehörschutz tragen.

**⚠️ WARNUNG:** Die Schallemission während der tatsächlichen Benutzung des Elektrowerkzeugs kann je nach der Benutzungsweise des Werkzeugs, und speziell je nach der Art des bearbeiteten Werkstücks, von dem (den) angegebenen Wert(en) abweichen.

**⚠️ WARNUNG:** Identifizieren Sie Sicherheitsmaßnahmen zum Schutz des Benutzers anhand einer Schätzung des Gefährdungsgrads unter den tatsächlichen Benutzungsbedingungen (unter Berücksichtigung aller Phasen des Arbeitszyklus, wie z. B. Ausschalt- und Leerlaufzeiten des Werkzeugs zusätzlich zur Betriebszeit).

#### Schwingungen

Schwingungsgesamtwert (Drei-Achsen-Vektorsumme) ermittelt gemäß EN62841-2-5:

##### Modell DHS782

Arbeitsmodus: Schneiden von Holz  
Schwingungsemission ( $a_{h,w}$ ): 2,5 m/s<sup>2</sup> oder weniger  
Messunsicherheit (K): 1,5 m/s<sup>2</sup>

Arbeitsmodus: Schneiden von Metall  
Schwingungsemission ( $a_{h,M}$ ): 2,5 m/s<sup>2</sup> oder weniger  
Messunsicherheit (K): 1,5 m/s<sup>2</sup>

### Modell DHS783

Arbeitsmodus: Schneiden von Holz  
Schwingungsemission ( $a_{h,w}$ ): 2,5 m/s<sup>2</sup> oder weniger  
Messunsicherheit (K): 1,5 m/s<sup>2</sup>  
Arbeitsmodus: Schneiden von Metall  
Schwingungsemission ( $a_{h,m}$ ): 2,5 m/s<sup>2</sup> oder weniger  
Messunsicherheit (K): 1,5 m/s<sup>2</sup>

**HINWEIS:** Der (Die) angegebene(n) Vibrationsgesamtwert(e) wurde(n) im Einklang mit der Standardprüfmethode gemessen und kann (können) für den Vergleich zwischen Werkzeugen herangezogen werden.

**HINWEIS:** Der (Die) angegebene(n) Vibrationsgesamtwert(e) kann (können) auch für eine Vorbewertung des Gefährdungsgrads verwendet werden.

**⚠️ WARNUNG:** Die Vibrationsemission während der tatsächlichen Benutzung des Elektrowerkzeugs kann je nach der Benutzungsweise des Werkzeugs, und speziell je nach der Art des bearbeiteten Werkstücks, von dem (den) angegebenen Emissionswert(en) abweichen.

**⚠️ WARNUNG:** Identifizieren Sie Sicherheitsmaßnahmen zum Schutz des Benutzers anhand einer Schätzung des Gefährdungsgrads unter den tatsächlichen Benutzungsbedingungen (unter Berücksichtigung aller Phasen des Arbeitszyklus, wie z. B. Ausschalt- und Leerlaufzeiten des Werkzeugs zusätzlich zur Betriebszeit).

### EG-Konformitätserklärung

#### Nur für europäische Länder

Die EG-Konformitätserklärung ist als Anhang A in dieser Bedienungsanleitung enthalten.

## SICHERHEITSWARNUNGEN

### Allgemeine Sicherheitswarnungen für Elektrowerkzeuge

**⚠️ WARNUNG:** Lesen Sie alle mit diesem Elektrowerkzeug gelieferten Sicherheitswarnungen, Anweisungen, Abbildungen und technischen Daten durch. Eine Missachtung der unten aufgeführten Anweisungen kann zu einem elektrischen Schlag, Brand und/oder schweren Verletzungen führen.

### Bewahren Sie alle Warnungen und Anweisungen für spätere Bezugnahme auf.

Der Ausdruck „Elektrowerkzeug“ in den Warnhinweisen bezieht sich auf Ihr mit Netzstrom (mit Kabel) oder Akku (ohne Kabel) betriebenes Elektrowerkzeug.

## Sicherheitswarnungen für Akku-Handkreissäge

### Schneidverfahren

- ⚠️ GEFAHR:** Halten Sie Ihre Hände vom Schnittbereich und vom Sägeblatt fern. Halten Sie mit der zweiten Hand den Zusatzgriff oder das Motorgehäuse. Wenn beide Hände die Säge halten, können sie nicht durch das Sägeblatt verletzt werden.
  - Fassen Sie nicht unter das Werkstück.** Die Schutzhaube bietet keinen Schutz auf der Unterseite des Werkstücks.
  - Stellen Sie die Schnitttiefe auf die Dicke des Werkstücks ein.** Das Sägeblatt darf nicht mehr als eine Zahnlänge auf der Unterseite des Werkstücks überstehen.
  - Halten Sie das Werkstück beim Schneiden niemals in Ihren Händen oder auf den Beinen. Sichern Sie das Werkstück auf einer stabilen Plattform.** Es ist wichtig, das Werkstück sachgemäß abzustützen, um Körperaussetzung, Klemmen des Sägeblatts oder Verlust der Kontrolle auf ein Minimum zu reduzieren.
- Abb.1
- Halten Sie das Elektrowerkzeug an den isolierten Griffflächen, wenn Sie Arbeiten ausführen, bei denen die Gefahr besteht, dass das Schneidwerkzeug verborgene Kabel kontaktiert.** Bei Kontakt mit einem Strom führenden Kabel werden die freiliegenden Metallteile des Elektrowerkzeugs ebenfalls Strom führend, so dass der Benutzer einen elektrischen Schlag erleiden kann.
  - Verwenden Sie beim Längssägen stets einen Parallelanschlag oder ein Richtlineal.** Dadurch wird die Schnittgenauigkeit verbessert und die Gefahr von Sägeblatt-Klemmen reduziert.
  - Verwenden Sie stets Sägeblätter, deren Spindelbohrung die korrekte Größe und Form (rautenförmig oder rund) hat.** Sägeblätter, die nicht genau auf den Montageflansch der Säge passen, rotieren exzentrisch und verursachen den Verlust der Kontrolle.
  - Verwenden Sie niemals beschädigte oder falsche Sägeblattscheiben oder -schrauben.** Die Sägeblattscheiben und -schrauben sind speziell für Ihre Säge vorgesehen, um optimale Leistung und Betriebssicherheit zu gewährleisten.

### Rückschlagursachen und damit zusammenhängende Warnungen

- Ein Rückschlag ist eine plötzliche Reaktion auf ein eingeklemmtes, blockiertes oder falsch ausgerichtetes Sägeblatt, der ein unkontrolliertes Anheben und Herausspringen der Säge aus dem Werkstück in Richtung der Bedienungsperson verursacht.
- Wenn das Sägeblatt durch den sich schließenden Sägeschlitz eingeklemmt oder blockiert wird, bleibt das Sägeblatt stehen, und die Motorreaktion drückt die Säge plötzlich in Richtung der Bedienungsperson zurück.
- Falls das Sägeblatt im Schnitt verdreht oder versetzt wird, können sich die Zähne an der Hinterkante des Sägeblatts in die Oberfläche des Holzstücks bohren, so dass sich das Sägeblatt aus dem Sägeschlitz heraushebt und in Richtung der Bedienungsperson zurückspringt.

Rückschlag ist das Resultat falscher Handhabung der Säge und/oder falscher Arbeitsverfahren oder -bedingungen und kann durch Anwendung der nachstehenden Vorsichtsmaßnahmen vermieden werden.

1. **Halten Sie die Säge mit beiden Händen fest, und positionieren Sie Ihre Arme so, dass sie die Rückschlagkräfte auffangen. Stellen Sie sich so, dass sich Ihr Körper seitlich vom Sägeblatt befindet, nicht auf gleicher Linie mit dem Sägeblatt.** Rückschlag kann Zurückspringen der Säge verursachen; doch wenn geeignete Vorkehrungen getroffen werden, können die Rückschlagkräfte von der Bedienungsperson unter Kontrolle gehalten werden.
2. **Falls das Sägeblatt klemmt oder der Schnitt aus irgendeinem Grund unterbrochen wird, lassen Sie den Ein-Aus-Schalter los, und halten Sie die Säge bewegungslos im Werkstück, bis das Sägeblatt zum völligen Stillstand kommt. Versuchen Sie niemals, die Säge bei noch rotierendem Sägeblatt vom Werkstück abzunehmen oder zurückzuziehen, weil es sonst zu einem Rückschlag kommen kann.** Nehmen Sie eine Überprüfung vor, und treffen Sie Abhilfemaßnahmen, um die Ursache von Sägeblatt-Klemmen zu beseitigen.
3. **Wenn Sie die Säge bei im Werkstück befindlichem Sägeblatt wieder einschalten, zentrieren Sie das Sägeblatt im Sägeschlitz, und vergewissern Sie sich, dass die Sägezähne nicht mit dem Werkstück im Eingriff sind.** Falls ein Sägeblatt klemmt, kann es beim Wiedereinschalten der Säge aus dem Werkstück herauschnellen oder zurückspringen.
4. **Stützen Sie große Platten ab, um die Gefahr von Klemmen und Rückschlägen des Sägeblatts auf ein Minimum zu reduzieren.** Große Platten neigen dazu, unter ihrem Eigengewicht durchzuhängen. Die Stützen müssen beidseitig der Schnittlinie und in der Nähe der Plattenkante unter der Platte platziert werden.

► **Abb.2**

► **Abb.3**

5. **Verwenden Sie keine stumpfen oder beschädigten Sägeblätter.** Unscharfe oder falsch angebrachte Sägeblätter erzeugen einen schmalen Sägeschlitz, der übermäßige Reibung, Sägeblatt-Klemmen und Rückschlag verursacht.
6. **Die Sägeblatttiefen- und Neigungseinstellungs-Arretierhebel müssen fest angezogen und gesichert sein, bevor der Schnitt ausgeführt wird.** Falls sich die Sägeblatteinstellung während des Sägens verstellt, kann es zu Klemmen und Rückschlag kommen.
7. **Lassen Sie beim Sägen in vorhandene Wände oder andere tote Winkel besondere Vorsicht walten.** Das vorstehende Sägeblatt kann Objekte durchschneiden, die Rückschlag verursachen können.
8. **Halten Sie das Werkzeug IMMER mit beiden Händen fest. Halten Sie NIEMALS Ihre Hand, Ihr Bein oder irgendeinen Körperteil unter die Werkzeugbasis oder hinter die Säge, insbesondere bei der Ausführung von Querschnitten.** Falls Rückschlag auftritt, besteht die Gefahr, dass die Säge über Ihre Hand zurückspringt und schwere Personenschäden verursacht.

► **Abb.4**

9. **Wenden Sie keine Gewalt auf die Säge an. Schieben Sie die Säge mit einer Geschwindigkeit vor, dass das Sägeblatt nicht abgebremst wird.** Gewaltanwendung kann ungleichmäßige Schnitte, Verlust der Genauigkeit und möglichen Rückschlag verursachen.

**Funktion der Schutzhaube**

1. **Überprüfen Sie die untere Schutzhaube vor jeder Benutzung auf einwandfreies Schließen. Betreiben Sie die Säge nicht, falls sich die untere Schutzhaube nicht ungehindert bewegt und sofort schließt. Die untere Schutzhaube darf auf keinen Fall in der geöffneten Stellung festgeklemmt oder festgebunden werden.** Wird die Säge versehentlich fallen gelassen, kann die untere Schutzhaube verbogen werden. Heben Sie die untere Schutzhaube mit dem Rückzuggriff an, und vergewissern Sie sich, dass sie sich ungehindert bewegt und bei allen Winkel- und Schnitttiefen-Einstellungen nicht mit dem Sägeblatt oder irgendeinem anderen Teil in Berührung kommt.
2. **Überprüfen Sie die Funktion der Feder der unteren Schutzhaube. Falls Schutzhaube und Feder nicht einwandfrei funktionieren, müssen die Teile vor der Benutzung gewartet werden.** Falls beschädigte Teile, klebrige Ablagerungen oder Schmutzansammlung vorhanden sind, kann die untere Schutzhaube schwergängig werden.
3. **Die untere Schutzhaube sollte nur für spezielle Schnitte, wie „Tauchschnitte“ und „Doppelwinkelschnitte“, manuell zurückgezogen werden. Heben Sie die untere Schutzhaube mit dem Rückzuggriff an, und sobald das Sägeblatt in das Werkstück eindringt, muss die untere Schutzhaube losgelassen werden.** Für alle anderen Sägearbeiten sollte die untere Schutzhaube automatisch betätigt werden.
4. **Vergewissern Sie sich stets, dass die untere Schutzhaube das Sägeblatt verdeckt, bevor Sie die Säge auf der Werkbank oder dem Boden ablegen.** Ein ungeschützt auslaufendes Sägeblatt bewirkt Rückwärtskriechen der Säge und schneidet alles, was sich in seinem Weg befindet. Berücksichtigen Sie die Auslaufzeit des Sägeblatts bis zum Stillstand nach dem Loslassen des Schalters.
5. **Öffnen Sie die untere Schutzhaube probeweise von Hand, und achten Sie beim Loslassen darauf, dass sie sich einwandfrei schließt. Vergewissern Sie sich auch, dass der Rückzuggriff nicht mit dem Werkzeuggehäuse in Berührung kommt.** Die Bloßstellung des Sägeblatts ist SEHR GEFÄHRLICH und kann zu schweren Verletzungen führen.

**Zusätzliche Sicherheitswarnungen**

1. **Lassen Sie beim Schneiden von feuchtem Holz, druckbehandeltem Bauholz oder Astholz besondere Vorsicht walten.** Behalten Sie einen gleichmäßigen Vorschub des Werkzeugs bei, ohne dass sich die Sägeblattzahl verringert, um Überhitzen der Sägeblattzähne zu vermeiden.

2. Versuchen Sie nicht, abgeschnittenes Material bei rotierendem Sägeblatt zu entfernen. Warten Sie, bis das Sägeblatt zum Stillstand kommt, bevor Sie abgeschnittenes Material wegnehmen. Das Sägeblatt läuft nach dem Ausschalten noch nach.
3. Vermeiden Sie das Schneiden von Nägeln. Überprüfen Sie Bauholz vor dem Schneiden auf Nägel, und entfernen Sie etwaige Nägel.
4. Setzen Sie den breiteren Teil der Grundplatte auf den fest abgestützten Teil des Werkstücks, nicht auf den Teil, der nach dem Schnitt herunterfällt. Kurze oder kleine Werkstücke müssen eingespannt werden. **VERSUCHEN SIE NICHT, KURZE WERKSTÜCKE MIT DER HAND ZU HALTEN!**

► **Abb.5**

5. Bevor Sie das Werkzeug nach Ausführung eines Schnitts absetzen, vergewissern Sie sich, dass sich die Schutzhaube geschlossen hat und das Sägeblatt zu vollständigem Stillstand gekommen ist.
6. Versuchen Sie niemals, die Kreissäge zum Sägen verkehrt herum in einen Schraubstock einzuspannen. Dies ist sehr gefährlich und kann zu schweren Unfällen führen.

► **Abb.6**

7. Manche Materialien können giftige Chemikalien enthalten. Treffen Sie Vorsichtsmaßnahmen, um das Einatmen von Arbeitsstaub und Hautkontakt zu verhindern. Befolgen Sie die Sicherheitsdaten des Materiallieferanten.
8. Bremsen Sie die Säge nicht durch seitlichen Druck auf das Sägeblatt ab.
9. Verwenden Sie keine Schleifscheiben.
10. Verwenden Sie nur Sägeblätter mit einem Durchmesser, der am Werkzeug markiert oder im Handbuch angegeben ist. Die Verwendung eines Sägeblatts mit falscher Größe kann den einwandfreien Schutz des Sägeblatts oder den Schutzbetrieb beeinträchtigen, was ernsthaften Personenschaden zur Folge haben kann.
11. Halten Sie das Sägeblatt scharf und sauber. An den Sägeblättern haftendes und verhärtetes Gummi und Harz verlangsamen die Säge und erhöhen die Rückschlaggefahr. Halten Sie das Sägeblatt sauber, indem Sie es vom Werkzeug abmontieren und dann mit Gummi- und Harzentferner, heißem Wasser oder Petroleum reinigen. Verwenden Sie niemals Benzin.
12. Tragen Sie bei der Benutzung des Werkzeugs eine Staubmaske und einen Gehörschutz.
13. Verwenden Sie immer das zum Schneiden des jeweiligen Arbeitsmaterials vorgesehene Sägeblatt.
14. Verwenden Sie nur Sägeblätter, die mit einer Drehzahl markiert sind, die der am Werkzeug angegebenen Drehzahl entspricht oder diese übertrifft.
15. (Nur für europäische Länder)  
Verwenden Sie immer ein Sägeblatt, das EN847-1 entspricht.

**DIESE ANWEISUNGEN  
AUFBEWAHREN.**

**⚠️ WARNUNG:** Lassen Sie sich NICHT durch Bequemlichkeit oder Vertrautheit mit dem Produkt (durch wiederholten Gebrauch erworben) von der strikten Einhaltung der Sicherheitsregeln für das vorliegende Produkt abhalten. **MISSBRAUCH** oder Missachtung der Sicherheitsvorschriften in dieser Anleitung können schwere Personenschäden verursachen.

**Wichtige Sicherheitsanweisungen  
für Akku**

1. Lesen Sie vor der Benutzung des Akkus alle Anweisungen und Warnhinweise, die an (1) Ladegerät, (2) Akku und (3) Akkuwerkzeug angebracht sind.
2. Unterlassen Sie ein Zerlegen des Akkus.
3. Falls die Betriebszeit beträchtlich kürzer geworden ist, stellen Sie den Betrieb sofort ein. Anderenfalls besteht die Gefahr von Überhitzung, möglichen Verbrennungen und sogar einer Explosion.
4. Falls Elektrolyt in Ihre Augen gelangt, waschen Sie sie mit sauberem Wasser aus, und begeben Sie sich unverzüglich in ärztliche Behandlung. Anderenfalls können Sie Ihre Sehkraft verlieren.
5. Der Akku darf nicht kurzgeschlossen werden:
  - (1) Die Kontakte dürfen nicht mit leitfähigem Material berührt werden.
  - (2) Lagern Sie den Akku nicht in einem Behälter zusammen mit anderen Metallgegenständen, wie z. B. Nägel, Münzen usw.
  - (3) Setzen Sie den Akku weder Wasser noch Regen aus.  
Ein Kurzschluss des Akkus verursacht starken Stromfluss, der Überhitzung, mögliche Verbrennungen und einen Defekt zur Folge haben kann.
6. Lagern Sie das Werkzeug und den Akku nicht an Orten, an denen die Temperatur 50 °C erreichen oder überschreiten kann.
7. Versuchen Sie niemals, den Akku zu verbrennen, selbst wenn er stark beschädigt oder vollkommen verbraucht ist. Der Akku kann im Feuer explodieren.
8. Achten Sie darauf, dass der Akku nicht fallen gelassen oder Stößen ausgesetzt wird.
9. Benutzen Sie keine beschädigten Akkus.
10. Die enthaltenen Lithium-Ionen-Akkus unterliegen den Anforderungen der Gefahrgut-Gesetzgebung.  
Für kommerzielle Transporte, z. B. durch Dritte oder Spediteure, müssen besondere Anforderungen zu Verpackung und Etikettierung beachtet werden. Zur Vorbereitung des zu transportierenden Artikels ist eine Beratung durch einen Experten für Gefahrgut erforderlich. Bitte beachten Sie möglicherweise ausführlichere nationale Vorschriften. Überleben oder verdecken Sie offene Kontakte, und verpacken Sie den Akku so, dass er sich in der Verpackung nicht umher bewegen kann.
11. Befolgen Sie die örtlichen Bestimmungen bezüglich der Entsorgung von Akkus.



- Verwenden Sie die Akkus nur mit den von Makita angegebenen Produkten. Das Einsetzen der Akkus in nicht konforme Produkte kann zu einem Brand, übermäßiger Hitzebildung, einer Explosion oder Auslaufen von Elektrolyt führen.

## DIESE ANWEISUNGEN AUFBEWAHREN.

**⚠ VORSICHT:** Verwenden Sie nur Original-Makita-Akkus. Die Verwendung von Nicht-Original-Makita-Akkus oder von Akkus, die abgeändert worden sind, kann zum Bersten des Akkus und daraus resultierenden Bränden, Personenschäden und Beschädigung führen. Außerdem wird dadurch die Makita-Garantie für das Makita-Werkzeug und -Ladegerät ungültig.

## Hinweise zur Aufrechterhaltung der maximalen Akku-Nutzungsdauer

- Laden Sie den Akku, bevor er vollkommen erschöpft ist. Schalten Sie das Werkzeug stets aus, und laden Sie den Akku, wenn Sie ein Nachlassen der Werkzeugleistung feststellen.
- Unterlassen Sie erneutes Laden eines voll aufgeladenen Akkus. Überladen führt zu einer Verkürzung der Nutzungsdauer des Akkus.
- Laden Sie den Akku bei Raumtemperatur zwischen 10 – 40 °C. Lassen Sie einen heißen Akku abkühlen, bevor Sie ihn laden.
- Der Akku muss geladen werden, wenn er lange Zeit (länger als sechs Monate) nicht benutzt wird.

## Wichtige Sicherheitsanweisungen für Funk-Adapter

- Unterlassen Sie Zerlegen oder Manipulieren des Funk-Adapters.
- Halten Sie den Funk-Adapter von kleinen Kindern fern. Suchen Sie bei versehentlichem Verschlucken sofort ärztliche Behandlung auf.
- Benutzen Sie den Funk-Adapter nur mit Makita-Werkzeugen.
- Setzen Sie den Funk-Adapter keinem Regen oder Nässe aus.
- Benutzen Sie den Funk-Adapter nicht an Orten, wo die Temperatur 50 °C überschreitet.
- Betreiben Sie den Funk-Adapter nicht an Orten, in deren Nähe sich medizinische Geräte, wie z. B. Herzschrittmacher, befinden.
- Betreiben Sie den Funk-Adapter nicht an Orten, in deren Nähe sich automatisierte Geräte befinden. Bei Betrieb kann in den automatisierten Geräten eine Funktionsstörung oder ein Fehler entstehen.
- Betreiben Sie den Funk-Adapter nicht an Orten unter hohen Temperaturen oder an Orten, wo statische Elektrizität oder elektrisches Rauschen erzeugt werden könnte.
- Der Funk-Adapter kann elektromagnetische Felder (EMF) erzeugen, die aber für den Benutzer nicht gesundheitsschädlich sind.
- Der Funk-Adapter ist ein Präzisionsinstrument. Achten Sie darauf, dass der Funk-Adapter nicht fallen gelassen oder Stößen ausgesetzt wird.

- Vermeiden Sie Berühren der Kontakte des Funk-Adapters mit bloßen Händen oder Metallgegenständen.
- Entfernen Sie stets den Akku vom Produkt, bevor Sie den Funk-Adapter installieren.
- Öffnen Sie den Deckel des Steckplatzes nicht an Orten, wo Staub und Wasser in den Steckplatz eindringen können. Halten Sie den Einlass des Steckplatzes stets sauber.
- Führen Sie den Funk-Adapter stets in der korrekten Richtung ein.
- Drücken Sie nicht zu fest und/oder mit einem scharfkantigen Gegenstand auf die Funk-Aktivierungstaste des Funk-Adapters.
- Halten Sie den Deckel des Steckplatzes beim Betrieb immer geschlossen.
- Entfernen Sie den Funk-Adapter nicht aus dem Steckplatz, während das Werkzeug mit Strom versorgt wird. Anderenfalls kann eine Funktionsstörung des Funk-Adapters verursacht werden.
- Entfernen Sie nicht den Aufkleber vom Funk-Adapter.
- Kleben Sie keinen anderen Aufkleber auf den Funk-Adapter.
- Lassen Sie den Funk-Adapter nicht an einem Ort liegen, wo statische Elektrizität oder elektrisches Rauschen erzeugt werden könnte.
- Lassen Sie den Funk-Adapter nicht an einem Ort liegen, der starker Hitze ausgesetzt ist, wie z. B. in einem in praller Sonne geparkten Auto.
- Lassen Sie den Funk-Adapter nicht an einem Ort liegen, der Staub oder Puder aufweist, oder an dem ein korrosives Gas erzeugt werden könnte.
- Plötzliche Temperaturschwankungen können den Funk-Adapter betauen. Benutzen Sie den Funk-Adapter nicht eher, bis der Tau vollständig getrocknet ist.
- Wischen Sie den Funk-Adapter zum Reinigen sanft mit einem trockenen, weichen Tuch ab. Verwenden Sie kein Waschbenzin, kein leitfähiges Fett, keinen Verdünner oder dergleichen.
- Bewahren Sie den Funk-Adapter zur Lagerung in der mitgelieferten Schachtel oder einem statikfreien Behälter auf.
- Führen Sie keine anderen Geräte außer dem Makita-Funk-Adapter in den Steckplatz des Werkzeugs ein.
- Benutzen Sie das Werkzeug nicht, wenn der Deckel des Steckplatzes beschädigt ist. Wasser, Staub und Schmutz, die in den Steckplatz eindringen, können eine Funktionsstörung verursachen.
- Ziehen und/oder verdrehen Sie den Deckel des Steckplatzes nicht mehr als nötig. Bringen Sie den Deckel wieder an, falls er sich vom Werkzeug löst.
- Ersetzen Sie den Deckel des Steckplatzes, falls er verloren geht oder beschädigt wird.

## DIESE ANWEISUNGEN AUFBEWAHREN.

## FUNKTIONSBESCHREIBUNG

**⚠ VORSICHT:** Vergewissern Sie sich vor der Durchführung von Einstellungen oder Funktionsprüfungen des Werkzeugs stets, dass das Werkzeug ausgeschaltet und der Akku abgenommen ist.

### Anbringen und Abnehmen des Akkus

**⚠ VORSICHT:** Schalten Sie das Werkzeug stets aus, bevor Sie den Akku anbringen oder abnehmen.

**⚠ VORSICHT:** Halten Sie das Werkzeug und den Akku beim Anbringen oder Abnehmen des Akkus sicher fest. Wenn Sie das Werkzeug und den Akku nicht sicher festhalten, können sie Ihnen aus der Hand rutschen, was zu einer Beschädigung des Werkzeugs und des Akkus und zu Körperverletzungen führen kann.

**⚠ VORSICHT:** Senken Sie immer die Grundplatte ab, wenn Sie die Akkus anbringen/abnehmen. Achten Sie darauf, dass Sie Ihre Finger nicht einklemmen.

**⚠ VORSICHT:** Verwenden Sie nicht den Akku-Adapter mit der Kreissäge. Anderenfalls kann das Kabel des Akku-Adapters den Betrieb behindern und Personenschäden verursachen.

► **Abb.7:** 1. Hebel 2. Rote Anzeige 3. Knopf 4. Akku

Bevor Sie den Akku abnehmen, lösen Sie den Hebel für Tiefeneinstellung, um die Grundplatte abzusenken. Ziehen Sie dann den Akku vom Werkzeug ab, während Sie den Knopf an der Vorderseite des Akkus verschieben.

Richten Sie zum Anbringen des Akkus dessen Führungsfeder auf die Nut im Gehäuse aus, und schieben Sie den Akku hinein. Schieben Sie ihn vollständig ein, bis er mit einem hörbaren Klicken einrastet. Falls die rote Anzeige an der Oberseite des Knopfes sichtbar ist, ist der Akku nicht vollständig verriegelt.

**⚠ VORSICHT:** Schieben Sie den Akku stets bis zum Anschlag ein, bis die rote Anzeige nicht mehr sichtbar ist. Anderenfalls kann er aus dem Werkzeug herausfallen und Sie oder umstehende Personen verletzen.

**⚠ VORSICHT:** Unterlassen Sie Gewaltanwendung beim Anbringen des Akkus. Falls der Akku nicht reibungslos hineingleitet, ist er nicht richtig ausgerichtet.

**HINWEIS:** Das Werkzeug funktioniert nicht mit nur einem Akku.

## Werkzeug/Akku-Schutzsystem


Das Werkzeug ist mit einem Werkzeug/Akku-Schutzsystem ausgestattet. Dieses System schaltet die Stromversorgung des Motors automatisch ab, um die Lebensdauer von Werkzeug und Akku zu verlängern. Das Werkzeug bleibt während des Betriebs automatisch stehen, wenn das Werkzeug oder der Akku einer der folgenden Bedingungen unterliegt. Bei manchen Bedingungen leuchten die Anzeigen auf.

### Überlastschutz

Wird das Werkzeug auf eine Weise benutzt, die eine ungewöhnlich hohe Stromaufnahme bewirkt, bleibt das Werkzeug automatisch stehen. Schalten Sie in dieser Situation das Werkzeug aus, und brechen Sie die Arbeit ab, die eine Überlastung des Werkzeugs verursacht hat. Schalten Sie dann das Werkzeug wieder ein, um es neu zu starten.

### Überhitzungsschutz

Wenn das Werkzeug überhitzt wird, bleibt es automatisch stehen, und die Akku-Anzeige blinkt etwa 60 Sekunden lang. Lassen Sie das Werkzeug in dieser Situation abkühlen, bevor Sie es wieder einschalten.

Ein	Blinkend
	







### Überentladungsschutz

Wenn die Akkukapazität niedrig wird, schaltet sich das Werkzeug automatisch aus. Falls das Produkt trotz Betätigung der Schalter nicht funktioniert, entfernen Sie die Akkus vom Werkzeug, und laden Sie sie auf.

## Anzeigen der Akku-Restkapazität

► **Abb.8:** 1. Akku-Anzeige 2. Prüftaste

Drücken Sie die Prüftaste, um die Akku-Restkapazität anzuzeigen. Jedem Akku sind eigene Akku-Anzeigen zugeordnet.

Status der Akku-Anzeige			Akku-Restkapazität
Ein	Aus	Blinkend	
			50% bis 100%
			20% bis 50%
			0% bis 20%
			Akku aufladen

## Anzeigen der Akku-Restkapazität

Nur für Akkus mit Anzeige

► **Abb.9:** 1. Anzeigelampen 2. Prüftaste

Drücken Sie die Prüftaste am Akku, um die Akku-Restkapazität anzuzeigen. Die Anzeigelampen leuchten wenige Sekunden lang auf.

Anzeigelampen			Restkapazität
Erleuchtet	Aus	Blinkend	
■	□	◐	75% bis 100%
■ ■ ■ ■			
■	□	◐	50% bis 75%
■ ■ ■ □			
■	□	◐	25% bis 50%
■ ■ □ □			
■	□	◐	0% bis 25%
■ □ □ □			
◐	□	◐	Den Akku aufladen.
◐ □ □ □			
■	□	◐	Möglicherweise liegt eine Funktionsstörung im Akku vor.
■ ■ □ □	↑ ↓	◐ □ □	

**HINWEIS:** Abhängig von den Benutzungsbedingungen und der Umgebungstemperatur kann die Anzeige geringfügig von der tatsächlichen Kapazität abweichen.

## Schalterfunktion

**⚠ WARNUNG:** Vergewissern Sie sich vor dem Einsetzen des Akkus in das Werkzeug stets, dass der Ein-Aus-Schalter ordnungsgemäß funktioniert und beim Loslassen in die AUS-Stellung zurückkehrt.

**⚠ WARNUNG:** Versuchen Sie NIEMALS, den Einschaltsperrknopf mit Klebeband oder anderen Mitteln unwirksam zu machen. Ein Schalter mit unwirksamem Einschaltsperrknopf kann zu ungewolltem Betrieb und daraus resultierenden schweren Personenschäden führen.

**⚠ WARNUNG:** Betreiben Sie das Werkzeug NIEMALS, wenn es durch einfache Betätigung des Ein-Aus-Schalters eingeschaltet werden kann, ohne den Einschaltsperrknopf zu drücken. Ein reparaturbedürftiger Schalter kann zu ungewolltem Betrieb und daraus resultierenden schweren Personenschäden führen. Lassen Sie das Werkzeug von einer Makita-Kundendienststelle ordnungsgemäß reparieren, BEVOR Sie es weiter benutzen.

Um versehentliche Betätigung des Ein-Aus-Schalters zu verhindern, ist das Werkzeug mit einem Einschaltsperrknopf ausgestattet. Zum Starten des Werkzeugs den Ein-Aus-Schalter bei gedrücktem Einschaltsperrknopf betätigen. Zum Ausschalten den Ein-Aus-Schalter loslassen.

► **Abb.10:** 1. Auslöseschalter 2. Einschaltsperrknopf

**ANMERKUNG:** Betätigen Sie den Ein-Aus-Schalter nicht gewaltsam, ohne den Einschaltsperrknopf hineinzudrücken. Dies kann zu Beschädigung des Schalters führen.

**⚠ VORSICHT:** Das Werkzeug beginnt unmittelbar nach dem Loslassen des Auslöseschalters mit dem Abbremsen der Kreissägeblattrotation. Halten Sie das Werkzeug gut fest, um der Bremsreaktion beim Loslassen des Auslöseschalters entgegenzuwirken. Eine plötzliche Reaktion kann das Werkzeug aus Ihrer Hand reißen und einen Personenschaden verursachen.

## Automatische Drehzahlwechselfunktion

Dieses Werkzeug verfügt über einen „Hochdrehzahl-Modus“ und einen „Hochdrehmoment-Modus“. Das Werkzeug wechselt die Betriebsart automatisch abhängig von der Arbeitslast. Bei geringer Arbeitslast läuft das Werkzeug im „Hochdrehzahl-Modus“ für schnelleren Schneidbetrieb. Bei hoher Arbeitslast läuft das Werkzeug im „Hochdrehmoment-Modus“ für leistungsstarken Schneidbetrieb.

► **Abb.11:** 1. Betriebsart-Anzeige

Die Betriebsart-Anzeige leuchtet in Grün auf, wenn das Werkzeug im „Hochdrehmoment-Modus“ läuft.

Wird das Werkzeug mit übermäßiger Last betrieben, blinkt die Betriebsart-Anzeige in Grün. Die Betriebsart-Anzeige hört auf zu blinken, und dann leuchtet sie auf oder erlischt, wenn Sie die auf das Werkzeug ausgeübte Last verringern.

Betriebsart-Anzeigestatus			Betriebsart
● Ein	○ Aus	◐ Blinkend	
	○		Hochdrehzahl-Modus
●			Hochdrehmoment-Modus
		◐	Überlastwarnung

## Einstellen der Schnitttiefe

**⚠ VORSICHT:** Ziehen Sie den Hebel nach der Einstellung der Schnitttiefe stets fest an.

Lösen Sie den Hebel an der Tiefenführung, und ziehen Sie die Grundplatte nach oben oder unten. Arretieren Sie die Grundplatte an der gewünschten Schnitttiefe durch Festziehen des Hebels.

Um sauberere, sicherere Schnitte auszuführen, stellen Sie die Schnitttiefe so ein, dass nicht mehr als ein Sägeblattzahn unter das Werkstück übersteht. Die Einstellung der korrekten Schnitttiefe trägt zu einer Reduzierung gefährlicher RÜCKSCHLÄGE bei, die Personenschäden verursachen können.

► **Abb.12:** 1. Hebel

## Neigungsschnitt

**⚠ VORSICHT:** Ziehen Sie die Klemmschrauben nach der Einstellung des Neigungswinkels stets fest an.

Lösen Sie die Klemmschrauben. Stellen Sie den gewünschten Winkel durch entsprechendes Neigen ein, und ziehen Sie dann die Klemmschrauben sicher fest.

► **Abb.13:** 1. Klemmschraube

Benutzen Sie den Stopper, um präzise 45°-Schnitte durchzuführen. Drehen Sie den Stopper vollständig, wie dargestellt, je nachdem, ob Sie einen Neigungsschnitt von 0° - 45° oder einen Neigungsschnitt von 0° - 48° ausführen.

► **Abb.14:** 1. Stopper

## Schnittmarkierung

Richten Sie für Geradschnitte die 0°-Position auf der Vorderseite der Grundplatte auf die Schnittlinie aus. Richten Sie für 45°-Neigungsschnitte die 45°-Position auf die Linie aus.

► **Abb.15:** 1. Schnittlinie (0°-Position) 2. Schnittlinie (45°-Position)

## Einschalten der Lampe

**⚠ VORSICHT:** Blicken Sie nicht direkt in die Lampe oder die Lichtquelle.

Um die Lampe einzuschalten, ohne das Werkzeug zu betreiben, betätigen Sie den Auslöseschalter, ohne den Einschaltsperrknopf zu drücken.

Um die Lampe bei laufendem Werkzeug einzuschalten, halten Sie den Einschaltsperrknopf gedrückt, und betätigen Sie den Auslöseschalter.

Die Lampe erlischt 10 Sekunden nach dem Loslassen des Auslöseschalters.

► **Abb.16:** 1. Lampe

**HINWEIS:** Wischen Sie Schmutz auf der Lampenlinse mit einem trockenen Tuch ab. Achten Sie sorgfältig darauf, dass Sie die Lampenlinse nicht verkratzen, weil sich sonst die Lichtstärke verringert.

## Aufhänger

### Sonderzubehör

**⚠ VORSICHT:** Nehmen Sie stets den Akku ab, wenn Sie das Werkzeug am Aufhänger aufhängen.

**⚠ VORSICHT:** Hängen Sie das Werkzeug niemals an hohen Stellen oder an Oberflächen auf, wo das Werkzeug die Balance verlieren und herunterfallen kann.

**⚠ VORSICHT:** Ziehen Sie das Werkzeug nicht nach unten, wenn es aufgehängt ist.

Der Aufhänger ist praktisch, um das Werkzeug vorübergehend aufzuhängen.

► **Abb.17**

Befestigen Sie den Aufhänger mit den Schrauben, wie dargestellt.

► **Abb.18:** 1. Aufhänger 2. Schraube

Um den Aufhänger zu benutzen, drehen Sie ihn einfach, bis er in die geöffnete Position einrastet.

Wenn er nicht benutzt wird, drehen Sie den Aufhänger stets, bis er in die geschlossene Position einrastet.

► **Abb.19:** 1. Geöffnete Position 2. Geschlossene Position

## Elektrische Bremse

Dieses Werkzeug ist mit einer elektrischen Sägeblattbremse ausgestattet. Falls das Werkzeug das Kreissägeblatt nach dem Loslassen des Schalthebels nicht sofort anhält, lassen Sie es von einer Makita-Kundendienststelle warten.

**⚠ VORSICHT:** Das Sägeblatt-Bremssystem ist kein Ersatz für die Sägeblattschutzhaube. VERWENDEN SIE DAS WERKZEUG NIEMALS OHNE FUNKTIONIERENDE SÄGEBLATTSCHUTZHAUBE. ES KANN SONST ZU SCHWEREN PERSONENSCHÄDEN KOMMEN.

## Elektronikfunktion

Die mit Elektronikfunktionen ausgestatteten Werkzeuge weisen das (die) folgende(n) Merkmal(e) zur Bedienungserleichterung auf.

### Sanftanlauf-Funktion

Diese Funktion gewährleistet ruckfreies Anlaufen durch Anlaufstoßunterdrückung.

## MONTAGE

**⚠ VORSICHT:** Vergewissern Sie sich vor der Ausführung von Arbeiten am Werkzeug stets, dass das Werkzeug ausgeschaltet und der Akku abgenommen ist.

## Aufbewahrung des Inbusschlüssels

Der Inbusschlüssel kann an der in der Abbildung gezeigten Stelle aufbewahrt werden, damit er nicht verloren geht.

► **Abb.20:** 1. Inbusschlüssel

## Demontieren oder Montieren des Kreissägeblatts

**⚠ VORSICHT:** Vergewissern Sie sich, dass das Kreissägeblatt so montiert ist, dass die Zähne auf der Vorderseite des Werkzeugs nach oben zeigen.

**⚠ VORSICHT:** Verwenden Sie nur den Makita-Schraubenschlüssel zum Montieren und Demontieren von Kreissägeblättern.

Zum Demontieren des Kreissägeblatts drücken Sie die Spindelarreterung vollständig hinein, um das Kreissägeblatt am Drehen zu hindern, und lösen Sie dann die Innensechskantschraube mit dem Inbusschlüssel. Entfernen Sie dann Innensechskantschraube, Außenflansch, Kreissägeblatt und Ring (länderspezifisch).

► **Abb.21:** 1. Spindelarreterung 2. Inbusschlüssel 3. Lösen 4. Anziehen

#### Für Werkzeug ohne den Ring

- **Abb.22:** 1. Innensechskantschraube  
2. Außenflansch 3. Kreissägeblatt  
4. Innenflansch

#### Für Werkzeug mit dem Ring

- **Abb.23:** 1. Innensechskantschraube  
2. Außenflansch 3. Kreissägeblatt 4. Ring  
5. Innenflansch

Zum Montieren des Kreissägeblatts wenden Sie das Demontageverfahren umgekehrt an.

### Für Werkzeug mit Innenflansch für anderen Sägeblatt-Bohrungsdurchmesser als 15,88 mm

Der Innenflansch besitzt auf jeder Seite einen Vorsprung mit unterschiedlichen Durchmessern. Wählen Sie die korrekte Seite, deren Vorsprung genau in die Sägeblattbohrung passt. Montieren Sie anschließend den Innenflansch an der Montageachse, so dass die korrekte Seite des Vorsprungs am Innenflansch außen liegt, und bringen Sie dann Sägeblatt und Außenflansch an.

- **Abb.24:** 1. Montageachse 2. Innenflansch  
3. Kreissägeblatt 4. Außenflansch  
5. Innensechskantschraube

**⚠️ WARNUNG:** DIE INNENSECHSKANTSCHRAUBE IM UHRZEIGERSINN FESTZIEHEN. Achten Sie auch darauf, die Schraube nicht gewaltsam anzuziehen. Abrutschen Ihrer Hand vom Inbusschlüssel kann einen Personenschaden verursachen.

**⚠️ WARNUNG:** Vergewissern Sie sich, dass der außen liegende Vorsprung „a“ am Innenflansch genau in die Sägeblattbohrung „a“ passt. Die Montage des Sägeblatts auf der falschen Seite kann zu gefährlichen Vibrationen führen.

### Für Werkzeug mit Innenflansch für Sägeblatt-Bohrungsdurchmesser von 15,88 mm (länderspezifisch)

Montieren Sie den Innenflansch mit der Vertiefung nach außen auf die Montageachse, und bringen Sie dann Sägeblatt (Ring bei Bedarf angebracht), Außenflansch und Innensechskantschraube an.

#### Für Werkzeug ohne den Ring

- **Abb.25:** 1. Montageachse 2. Innenflansch  
3. Kreissägeblatt 4. Außenflansch  
5. Innensechskantschraube

#### Für Werkzeug mit dem Ring

- **Abb.26:** 1. Montageachse 2. Innenflansch  
3. Kreissägeblatt 4. Außenflansch  
5. Innensechskantschraube 6. Ring

**⚠️ WARNUNG:** DIE INNENSECHSKANTSCHRAUBE IM UHRZEIGERSINN FESTZIEHEN. Achten Sie auch darauf, die Schraube nicht gewaltsam anzuziehen. Abrutschen Ihrer Hand vom Inbusschlüssel kann einen Personenschaden verursachen.

**⚠️ WARNUNG:** Falls der Ring benötigt wird, um das Sägeblatt an der Spindel zu montieren, sollten Sie sich stets vergewissern, dass der korrekte Ring für die Spindelbohrung des zu benutzenden Sägeblatts zwischen Innen- und Außenflansch installiert ist. Die Verwendung eines falschen Spindelbohrungsringes kann zu unzulässiger Montage des Sägeblatts führen, so dass es zu Sägeblattbewegung und starker Vibration kommt, die möglichen Verlust der Kontrolle während des Betriebs und schwere Personenschäden zur Folge haben kann.

## Reinigung der Sägeblattschutzhaube

Wenn Sie das Kreissägeblatt auswechseln, reinigen Sie auch unbedingt die obere und untere Schutzhaube von angesammeltem Sägemehl, wie im Abschnitt „Wartung“ beschrieben. Solche Arbeiten erübrigen jedoch nicht die Notwendigkeit, die Funktion der unteren Schutzhaube vor jedem Gebrauch zu überprüfen.

## Anschließen eines Sauggeräts

Um saubere Schneidarbeiten durchzuführen, schließen Sie ein Makita-Sauggerät an Ihr Werkzeug an. Schließen Sie dann den Schlauch des Sauggeräts an den Absaugstutzen an, wie in der Abbildung gezeigt.

- **Abb.27:** 1. Absaugstutzen 2. Schraube  
► **Abb.28:** 1. Schlauch 2. Sauggerät

## BETRIEB

Dieses Werkzeug ist zum Schneiden von Holzprodukten vorgesehen. Mit geeigneten Original-Makita-Kreissägeblättern können auch die folgenden Materialien gesägt werden:

- Aluminiumprodukte
- Besuchen Sie unsere Website, oder wenden Sie sich an Ihren Makita-Händler vor Ort, um zu erfahren, welche Kreissägeblätter für das zu schneidende Material korrekt sind.

## Überprüfen der Funktion der Sägeblattschutzhaube

Stellen Sie den Neigungswinkel auf 0° ein, ziehen Sie dann die untere Schutzhaube von Hand bis zum Anschlag ein, und lassen Sie sie los. Die untere Schutzhaube funktioniert ordnungsgemäß, wenn:

- sie sich ohne jegliche Behinderung über die Grundplatte einziehen lässt und;
- sie automatisch zurückkehrt und den Stopper berührt.

- **Abb.29:** 1. Obere Schutzhaube 2. Untere Schutzhaube 3. Grundplatte 4. Stopper  
5. Öffnen 6. Schließen

Falls die untere Schutzhaube nicht ordnungsgemäß funktioniert, prüfen Sie, ob sich Sägemehl in der oberen und unteren Schutzhaube angesammelt hat. Falls die untere Schutzhaube selbst nach dem Entfernen von Sägemehl nicht ordnungsgemäß funktioniert, lassen Sie Ihr Werkzeug bei einer Makita-Kundendienststelle warten.

### Schneidbetrieb

**⚠ VORSICHT:** Tragen Sie eine Staubmaske bei der Durchführung von Schneidarbeiten.

**⚠ VORSICHT:** Schieben Sie das Werkzeug unbedingt in einer geraden Linie sachte vor. Zu starkes Drücken oder Verdrehen des Werkzeugs führt zu Überhitzen des Motors und gefährlichem Rückschlag, der möglicherweise schwere Verletzungen verursachen kann.

**HINWEIS:** Bei kaltem Akku entfaltet das Werkzeug eventuell nicht seine volle Kapazität. Benutzen Sie das Werkzeug während dieser Phase eine Zeitlang nur für leichte Schnitte, bis sich der Akku auf Raumtemperatur erwärmt hat. Dann kann das Werkzeug seine volle Kapazität entfalten.

#### ► Abb.30

Halten Sie das Werkzeug mit festem Griff. Das Werkzeug ist mit einem vorderen und hinteren Griff ausgestattet. Benutzen Sie beide Griffe, um das Werkzeug optimal zu halten. Wenn beide Hände die Säge halten, können sie nicht durch das Kreissägeblatt verletzt werden. Setzen Sie die Grundplatte auf das zu schneidende Werkstück auf, ohne dass das Kreissägeblatt mit dem Werkstück in Berührung kommt. Schalten Sie dann das Werkzeug ein und warten Sie, bis das Kreissägeblatt die volle Drehzahl erreicht hat. Schieben Sie das Werkzeug nun flach und gleichmäßig über die Werkstückoberfläche vorwärts, bis der Schnitt vollendet ist.

Um saubere Schnitte zu erzielen, halten Sie eine gerade Schnittlinie und eine gleichmäßige Vorschubgeschwindigkeit ein. Falls der Schnitt sich nicht genau mit Ihrer beabsichtigten Schnittlinie deckt, versuchen Sie nicht, das Werkzeug zu drehen oder zur Schnittlinie zurückzudrücken. Dies könnte zu Klemmen des Kreissägeblatts und gefährlichem Rückschlag führen, was schwere Verletzungen verursachen kann. Lassen Sie den Schalter los, und warten Sie, bis das Kreissägeblatt zum Stillstand kommt, bevor Sie das Werkzeug zurückziehen. Richten Sie das Werkzeug auf eine neue Schnittlinie aus, und beginnen Sie einen neuen Schnitt. Vermeiden Sie eine Positionierung, bei der Sie den von der Säge herausgeschleuderten Spänen und dem Holzstaub ausgesetzt sind. Tragen Sie einen Augenschutz, um Augenverletzungen zu verhüten.

### Parallelanschlag (Richtlineal)

**⚠ VORSICHT:** Vergewissern Sie sich vor Gebrauch, dass der Parallelanschlag in der korrekten Position sicher montiert ist. Falsche Anbringung kann gefährlichen Rückschlag verursachen.

- **Abb.31:** 1. Parallelanschlag (Richtlineal)  
2. Klemmschraube

Der praktische Parallelanschlag ermöglicht die Ausführung besonders genauer Geradschnitte. Schieben Sie einfach den Parallelanschlag gegen die Seite des Werkstücks, und sichern Sie ihn mit der Schraube an der Vorderseite der Grundplatte. Außerdem ermöglicht er wiederholte Schnitte von gleichförmiger Breite.

### Führungsschiene

#### Sonderzubehör

Setzen Sie das Werkzeug auf das hintere Ende der Führungsschiene. Drehen Sie zwei Einstellschrauben an der Grundplatte, so dass das Werkzeug ohne Klappern reibungslos gleitet. Halten Sie den Frontgriff und den hinteren Handgriff des Werkzeugs sicher fest. Schalten Sie das Werkzeug ein, und schneiden Sie den Splitterschutz entlang der vollen Länge mit einem Hub. Nun entspricht die Kante des Splitterschutzes der Schneidkante.

- **Abb.32:** 1. Einstellschrauben

Verwenden Sie für Neigungsschnitte mit der Führungsschiene den Schiebehebel, um Umkippen des Werkzeugs zu verhindern.

Schieben Sie den Schiebehebel an der Grundplatte in Pfeilrichtung, so dass er in die Unterschnittnut in der Führungsschiene eingreift.

- **Abb.33:** 1. Schiebehebel

### Anschluss einer Schnur (Haltegurt)

#### ⚠ Spezielle Sicherheitswarnungen für Gebrauch an hohen Orten

**Lesen Sie alle Sicherheitswarnungen und Anweisungen durch.** Eine Missachtung der Warnungen und Anweisungen kann zu schweren Verletzungen führen.

1. **Halten Sie das Werkzeug stets angebunden, wenn Sie „an hohen Orten“ arbeiten. Die maximale Schnurlänge beträgt 2 m.**
2. **Verwenden Sie nur für diesen Werkzeugtyp geeignete Schnüre, die für eine Belastung von mindestens 6,0 kg (13,3 lbs) bemessen sind.**
3. **Verankern Sie die Werkzeugschnur nicht an irgendeinem Körperteil oder an beweglichen Komponenten. Verankern Sie die Werkzeugschnur an einer starren Struktur, die den Kräften eines herunterfallenden Werkzeugs widerstehen kann.**
4. **Vergewissern Sie sich vor der Benutzung, dass die Schnur an beiden Enden einwandfrei gesichert ist.**
5. **Überprüfen Sie Werkzeug und Schnur vor jeder Benutzung auf Beschädigung und ordnungsgemäße Funktion (einschließlich Stoff und Nähte). Unterlassen Sie den Gebrauch bei Beschädigung oder nicht ordnungsgemäßer Funktion.**
6. **Wickeln Sie die Schnüre nicht um scharfe oder raue Kanten, und lassen Sie sie auch nicht mit diesen in Berührung kommen.**
7. **Befestigen Sie das andere Ende der Schnur außerhalb des Arbeitsbereichs, so dass ein herunterfallendes Werkzeug sicher gehalten wird.**

8. **Bringen Sie die Schnur so an, dass sich das Werkzeug vom Bediener weg bewegt, falls es herunterfällt.** Heruntergefallene Werkzeuge schwingen an der Schnur, was Verletzungen oder Verlust des Gleichgewichts verursachen kann.
  9. **Unterlassen Sie die Benutzung in der Nähe von beweglichen Teilen oder laufenden Maschinen.** Anderenfalls besteht Gefährdung durch Zerquetschen oder Erfassen.
  10. **Tragen Sie das Werkzeug nicht an der Aufsatzvorrichtung oder der Schnur.**
  11. **Übertragen Sie das Werkzeug nur zwischen Ihren Händen, wenn Sie einwandfreies Gleichgewicht haben.**
  12. **Befestigen Sie Schnüre nicht in einer Weise am Werkzeug, die ordnungsgemäßes Funktionieren von Schutzhauben, Schaltern oder Verriegelungen verhindert.**
  13. **Vermeiden Sie es, in der Schnur verwickelt zu werden.**
  14. **Halten Sie die Schnur vom Schneidbereich des Werkzeugs fern.**
  15. **Verwenden Sie Multi-Action-Karabiner und Karabiner mit Schraubverschluss. Verwenden Sie keine Single-Action-Karabiner mit Federschnapper.**
  16. **Falls das Werkzeug herunterfällt, muss es markiert und außer Betrieb genommen werden und sollte von einem Makita-Werk oder einem autorisierten Service-Center überprüft werden.**
- **Abb.34:** 1. Öse für Schnur (Haltegurt)

## FUNK-AKTIVIERUNGSFUNKTION

Nur für DHS783

### Mit der Funk-Aktivierungsfunktion verfügbare Möglichkeiten

Die Funk-Aktivierungsfunktion ermöglicht sauberen und komfortablen Betrieb. Wenn Sie ein unterstütztes Sauggerät an das Werkzeug anschließen, können Sie das Sauggerät automatisch mit der Schalterbetätigung des Werkzeugs betreiben.

► **Abb.35**

Um die Funk-Aktivierungsfunktion zu benutzen, benötigen Sie die folgenden Gegenstände:

- Einen Funk-Adapter (Sonderzubehör)
- Ein Sauggerät, das die Funk-Aktivierungsfunktion unterstützt

Die Übersicht über die Einstellung der Funk-Aktivierungsfunktion ist wie folgt. Ausführliche Verfahren entnehmen Sie bitte dem jeweiligen Abschnitt.

1. Installieren des Funk-Adapters
2. Werkzeugregistrierung für das Sauggerät
3. Starten der Funk-Aktivierungsfunktion

## Installieren des Funk-Adapters

### Sonderzubehör

**⚠VORSICHT:** Legen Sie das Werkzeug zum Installieren des Funk-Adapters auf eine ebene und stabile Oberfläche.

**ANMERKUNG:** Entfernen Sie Staub und Schmutz vom Werkzeug, bevor Sie den Funk-Adapter installieren. Staub oder Schmutz können eine Funktionsstörung verursachen, falls sie in den Steckplatz des Funk-Adapters gelangen.

**ANMERKUNG:** Um eine durch statische Entladung verursachte Funktionsstörung zu verhindern, berühren Sie ein Statikentladungsmaterial, wie z. B. ein Metallteil des Werkzeugs, bevor Sie den Funk-Adapter anfassen.

**ANMERKUNG:** Achten Sie beim Installieren des Funk-Adapters immer darauf, dass der Funk-Adapter in der korrekten Richtung eingeführt wird und der Deckel vollständig geschlossen ist.

1. Öffnen Sie den Deckel am Werkzeug, wie in der Abbildung gezeigt.

► **Abb.36:** 1. Deckel

2. Führen Sie den Funk-Adapter in den Steckplatz ein, und schließen Sie dann den Deckel.

Wenn Sie den Funk-Adapter einführen, richten Sie die Vorsprünge auf die Vertiefungen des Steckplatzes aus.

► **Abb.37:** 1. Funk-Adapter 2. Vorsprung 3. Deckel 4. Vertiefung

Zum Entfernen des Funk-Adapters öffnen Sie den Deckel langsam. Die Haken an der Rückseite des Deckels heben den Funk-Adapter an, wenn Sie den Deckel hochziehen.

► **Abb.38:** 1. Funk-Adapter 2. Haken 3. Deckel

Bewahren Sie den Funk-Adapter nach der Entnahme in der mitgelieferten Schachtel oder einem statikfreien Behälter auf.

**ANMERKUNG:** Verwenden Sie immer die Haken an der Rückseite des Deckels zum Entfernen des Funk-Adapters. Falls die Haken den Funk-Adapter nicht greifen, schließen Sie den Deckel vollständig, und öffnen Sie ihn dann wieder langsam.

## Werkzeugregistrierung für das Sauggerät

**HINWEIS:** Ein Makita-Sauggerät, das die Funk-Aktivierungsfunktion unterstützt, ist für die Werkzeugregistrierung erforderlich.

**HINWEIS:** Die Installation des Funk-Adapters im Werkzeug muss vollendet sein, bevor mit der Werkzeugregistrierung begonnen wird.

**HINWEIS:** Unterlassen Sie während der Werkzeugregistrierung die Betätigung des Auslöseschalters oder das Einschalten des Ein-Aus-Schalters am Sauggerät.

**HINWEIS:** Nehmen Sie auch auf die Betriebsanleitung des Sauggerätes Bezug.

Wenn Sie das Sauggerät zusammen mit der Schalterbetätigung des Werkzeugs aktivieren möchten, müssen Sie zuvor die Werkzeugregistrierung beenden.

1. Setzen Sie die Akkus in das Sauggerät und das Werkzeug ein.
  2. Stellen Sie den Bereitschaftsschalter am Sauggerät auf „AUTO“.
- **Abb.39:** 1. Bereitschaftsschalter
3. Drücken Sie die Funk-Aktivierungstaste am Sauggerät für 3 Sekunden, bis die Funk-Aktivierungslampe in Grün blinkt. Drücken Sie dann die Funk-Aktivierungstaste am Werkzeug in der gleichen Weise.

- **Abb.40:** 1. Funk-Aktivierungstaste  
2. Funk-Aktivierungslampe

Wenn Sauggerät und Werkzeug erfolgreich verbunden werden, leuchten die Funk-Aktivierungslampen 2 Sekunden lang in Grün auf und beginnen dann in Blau zu blinken.

**HINWEIS:** Nach Ablauf von 20 Sekunden hören die Funk-Aktivierungslampen auf, in Grün zu blinken. Drücken Sie die Funk-Aktivierungstaste am Werkzeug, während die Funk-Aktivierungslampe am Staubsauger blinkt. Falls die Funk-Aktivierungslampe nicht in Grün blinkt, drücken Sie die Funk-Aktivierungstaste kurz, und halten Sie sie erneut gedrückt.

**HINWEIS:** Wenn Sie zwei oder mehr Werkzeugregistrierungen für ein Sauggerät durchführen, beenden Sie die Werkzeugregistrierungen nacheinander.

## Starten der Funk-Aktivierungsfunktion

**HINWEIS:** Beenden Sie die Werkzeugregistrierung für das Sauggerät vor der Funk-Aktivierung.

**HINWEIS:** Nehmen Sie auch auf die Betriebsanleitung des Sauggerätes Bezug.

Nachdem Sie ein Werkzeug im Sauggerät registriert haben, läuft das Sauggerät automatisch mit der Schalterbetätigung am Werkzeug an.

1. Installieren Sie den Funk-Adapter im Werkzeug.
2. Schließen Sie den Schlauch des Sauggerätes am Werkzeug an.

► **Abb.41**

3. Stellen Sie den Bereitschaftsschalter am Sauggerät auf „AUTO“.

► **Abb.42:** 1. Bereitschaftsschalter

4. Drücken Sie die Funk-Aktivierungstaste am Werkzeug kurz. Die Funk-Aktivierungslampe blinkt in Blau.

► **Abb.43:** 1. Funk-Aktivierungstaste  
2. Funk-Aktivierungslampe

5. Betätigen Sie den Auslöseschalter des Werkzeugs. Prüfen Sie, ob das Sauggerät läuft, während der Auslöseschalter betätigt wird.

Um die Funk-Aktivierung des Sauggerätes zu stoppen, drücken Sie die Funk-Aktivierungstaste am Werkzeug.

**HINWEIS:** Die Funk-Aktivierungslampe am Werkzeug hört auf, in Blau zu blinken, wenn 2 Stunden lang kein Betrieb erfolgt. Stellen Sie in diesem Fall den Bereitschaftsschalter am Sauggerät auf „AUTO“, und drücken Sie die Funk-Aktivierungstaste am Werkzeug erneut.

**HINWEIS:** Das Sauggerät startet/stoppt mit einer Verzögerung. Es tritt eine Zeitverzögerung auf, wenn das Sauggerät eine Schalterbetätigung des Werkzeugs erkennt.

**HINWEIS:** Die Übertragungreichweite des Funk-Adapters kann abhängig vom Ort und den Umgebungsbedingungen schwanken.

**HINWEIS:** Wenn zwei oder mehr Werkzeuge in einem Sauggerät registriert sind, kann das Sauggerät anlaufen, selbst wenn Sie den Auslöseschalter nicht betätigen, weil ein anderer Benutzer die Funk-Aktivierungsfunktion benutzt.



## Beschreibung des Zustands der Funk-Aktivierungslampe

► **Abb.44:** 1. Funk-Aktivierungslampe

Die Funk-Aktivierungslampe zeigt den Zustand der Funk-Aktivierungsfunktion an. Die Bedeutung des Lampenzustands ist aus der nachstehenden Tabelle ersichtlich.

Zustand	Funk-Aktivierungslampe			Dauer	Beschreibung
	Farbe	<input type="checkbox"/> Ein	<input type="checkbox"/> Blinkend		
Bereitschaft	Blau	<input checked="" type="checkbox"/>		2 Stunden	Die Funk-Aktivierung des Sauggerätes ist verfügbar. Die Lampe erlischt automatisch, wenn 2 Stunden lang kein Betrieb erfolgt.
		<input type="checkbox"/>		Wenn das Werkzeug läuft.	Die Funk-Aktivierung des Sauggerätes ist verfügbar, und das Werkzeug läuft.
Werkzeugregistrierung	Grün	<input checked="" type="checkbox"/>		20 Sekunden	Bereit für die Werkzeugregistrierung. Warten auf die Registrierung durch das Sauggerät.
		<input type="checkbox"/>		2 Sekunden	Die Werkzeugregistrierung ist beendet worden. Die Funk-Aktivierungslampe beginnt, in Blau zu blinken.
Aufheben der Werkzeugregistrierung	Rot	<input checked="" type="checkbox"/>		20 Sekunden	Bereit für die Aufhebung der Werkzeugregistrierung. Warten auf die Aufhebung durch das Sauggerät.
		<input type="checkbox"/>		2 Sekunden	Die Aufhebung der Werkzeugregistrierung ist beendet worden. Die Funk-Aktivierungslampe beginnt, in Blau zu blinken.
Sonstiges	Rot	<input type="checkbox"/>		3 Sekunden	Der Funk-Adapter wird mit Strom versorgt, und die Funk-Aktivierungsfunktion wird gestartet.
	Aus	-		-	Die Funk-Aktivierung des Sauggerätes ist gestoppt.

## Aufheben der Werkzeugregistrierung für das Sauggerät

Führen Sie das folgende Verfahren durch, um die Werkzeugregistrierung für das Sauggerät aufzuheben.

1. Setzen Sie die Akkus in das Sauggerät und das Werkzeug ein.
  2. Stellen Sie den Bereitschaftsschalter am Sauggerät auf „AUTO“.
- **Abb.45:** 1. Bereitschaftsschalter
3. Drücken Sie die Funk-Aktivierungstaste am Sauggerät für 6 Sekunden. Die Funk-Aktivierungslampe blinkt in Grün und wird dann rot. Drücken Sie danach die Funk-Aktivierungstaste am Werkzeug in der gleichen Weise.
- **Abb.46:** 1. Funk-Aktivierungstaste  
2. Funk-Aktivierungslampe

Wenn die Aufhebung erfolgreich war, leuchten die Funk-Aktivierungslampen 2 Sekunden lang in Rot auf und beginnen dann in Blau zu blinken.

**HINWEIS:** Nach Ablauf von 20 Sekunden hören die Funk-Aktivierungslampen auf, in Rot zu blinken. Drücken Sie die Funk-Aktivierungstaste am Werkzeug, während die Funk-Aktivierungslampe am Staubsauger blinkt. Falls die Funk-Aktivierungslampe nicht in Rot blinkt, drücken Sie die Funk-Aktivierungstaste kurz, und halten Sie sie erneut gedrückt.

## Fehlersuche für Funk-Aktivierungsfunktion

Bevor Sie den Reparaturdienst anrufen, führen Sie zunächst Ihre eigene Inspektion durch. Falls Sie ein Problem finden, das nicht in der Anleitung erläutert wird, versuchen Sie nicht, das Werkzeug zu zerlegen. Wenden Sie sich stattdessen an autorisierte Makita-Kundendienstzentren, und achten Sie darauf, dass stets Makita-Ersatzteile für Reparaturen verwendet werden.

Zustand der Unregelmäßigkeit	Wahrscheinliche Ursache (Funktionsstörung)	Abhilfemaßnahme
Die Funk-Aktivierungslampe leuchtet/blinkt nicht.	Es ist kein Funk-Adapter im Werkzeug installiert. Der Funk-Adapter ist falsch im Werkzeug installiert.	Installieren Sie den Funk-Adapter korrekt.
	Die Kontakte des Funk-Adapters und/oder des Steckplatzes sind verschmutzt.	Wischen Sie Staub und Schmutz an den Kontakten des Funk-Adapters sachte ab, und reinigen Sie den Steckplatz.
	Die Funk-Aktivierungstaste am Werkzeug ist nicht gedrückt worden.	Drücken Sie die Funk-Aktivierungstaste am Werkzeug kurz.
	Der Bereitschaftsschalter am Sauggerät ist nicht auf „AUTO“ eingestellt.	Stellen Sie den Bereitschaftsschalter am Sauggerät auf „AUTO“.
	Keine Stromversorgung	Versorgen Sie Werkzeug und Sauggerät mit Strom.
Die Werkzeugregistrierung/ Aufhebung der Werkzeugregistrierung kann nicht erfolgreich beendet werden.	Es ist kein Funk-Adapter im Werkzeug installiert. Der Funk-Adapter ist falsch im Werkzeug installiert.	Installieren Sie den Funk-Adapter korrekt.
	Die Kontakte des Funk-Adapters und/oder des Steckplatzes sind verschmutzt.	Wischen Sie Staub und Schmutz an den Kontakten des Funk-Adapters sachte ab, und reinigen Sie den Steckplatz.
	Der Bereitschaftsschalter am Sauggerät ist nicht auf „AUTO“ eingestellt.	Stellen Sie den Bereitschaftsschalter am Sauggerät auf „AUTO“.
	Keine Stromversorgung	Versorgen Sie Werkzeug und Sauggerät mit Strom.
	Falsche Bedienung	Drücken Sie die Funk-Aktivierungstaste kurz, und führen Sie das Verfahren der Werkzeugregistrierung/Aufhebung der Werkzeugregistrierung erneut durch.
	Der Abstand zwischen Werkzeug und Sauggerät ist zu groß (außerhalb der Übertragungreichweite).	Verkleinern Sie den Abstand zwischen Werkzeug und Sauggerät. Die maximale Übertragungreichweite beträgt ungefähr 10 m, sie kann aber je nach den Umständen schwanken.
	Vor Beendigung der Werkzeugregistrierung/Aufhebung der Werkzeugregistrierung: - der Auslöseschalter am Werkzeug wird betätigt, oder - die Ein-Aus-Taste am Sauggerät wird eingeschaltet.	Drücken Sie die Funk-Aktivierungstaste kurz, und führen Sie das Verfahren der Werkzeugregistrierung/Aufhebung der Werkzeugregistrierung erneut durch.
	Die Verfahren der Werkzeugregistrierung für das Werkzeug oder das Sauggerät sind nicht beendet.	Führen Sie die Verfahren der Werkzeugregistrierung sowohl für das Werkzeug als auch das Sauggerät zum selben Zeitpunkt durch.
	Funkstörungen durch andere Geräte, die starke Funkwellen erzeugen.	Halten Sie das Werkzeug und das Sauggerät von solchen Geräten wie WLAN-Geräten und Mikrowellenöfen fern.

Zustand der Unregelmäßigkeit	Wahrscheinliche Ursache (Funktionsstörung)	Abhilfemaßnahme
Das Sauggerät läuft bei der Schalterbetätigung des Werkzeugs nicht an.	Es ist kein Funk-Adapter im Werkzeug installiert. Der Funk-Adapter ist falsch im Werkzeug installiert.	Installieren Sie den Funk-Adapter korrekt.
	Die Kontakte des Funk-Adapters und/oder des Steckplatzes sind verschmutzt.	Wischen Sie Staub und Schmutz an den Kontakten des Funk-Adapters sachte ab, und reinigen Sie den Steckplatz.
	Die Funk-Aktivierungstaste am Werkzeug ist nicht gedrückt worden.	Drücken Sie die Funk-Aktivierungstaste kurz, und vergewissern Sie sich, dass die Funk-Aktivierungslampe in Blau blinkt.
	Der Bereitschaftsschalter am Sauggerät ist nicht auf „AUTO“ eingestellt.	Stellen Sie den Bereitschaftsschalter am Sauggerät auf „AUTO“.
	Es sind mehr als 10 Werkzeuge im Sauggerät registriert.	Führen Sie die Werkzeugregistrierung erneut durch. Wenn mehr als 10 Werkzeuge im Sauggerät registriert werden, wird die Registrierung des ersten Werkzeugs automatisch gelöscht.
	Das Sauggerät hat alle Werkzeugregistrierungen gelöscht.	Führen Sie die Werkzeugregistrierung erneut durch.
	Keine Stromversorgung	Versorgen Sie Werkzeug und Sauggerät mit Strom.
	Der Abstand zwischen Werkzeug und Sauggerät ist zu groß (außerhalb der Übertragungsbereichweite).	Verkleinern Sie den Abstand zwischen Werkzeug und Sauggerät. Die maximale Übertragungsbereichweite beträgt ungefähr 10 m, sie kann aber je nach den Umständen schwanken.
Funkstörungen durch andere Geräte, die starke Funkwellen erzeugen.	Halten Sie das Werkzeug und das Sauggerät von solchen Geräten wie WLAN-Geräten und Mikrowellenöfen fern.	
Das Sauggerät läuft an, obwohl der Auslöseschalter des Werkzeugs nicht betätigt wurde.	Andere Benutzer nutzen die Funk-Aktivierung des Sauggerätes mit ihren Werkzeugen.	Schalten Sie die Funk-Aktivierungstaste der anderen Werkzeuge aus, oder heben Sie die Werkzeugregistrierung der anderen Werkzeuge auf.

## WARTUNG

**⚠ VORSICHT:** Vergewissern Sie sich vor der Durchführung von Inspektions- oder Wartungsarbeiten stets, dass das Werkzeug ausgeschaltet und der Akku abgenommen ist.

**⚠ VORSICHT:** Säubern Sie die obere und untere Schutzhaube, um sicherzugehen, dass kein angesammeltes Sägemehl vorhanden ist, das die Funktion des unteren Schutzsystems beeinträchtigen kann. Ein verschmutztes Schutzsystem kann die ordnungsgemäße Funktion einschränken, was zu schweren Personenschäden führen kann. Am effektivsten kann diese Reinigung mit Druckluft durchgeführt werden. **Verwenden Sie unbedingt einen geeigneten Augenschutz und eine Atemmaske, um sich vor dem aus den Schutzhauben herausgeblasenen Staub zu schützen.**

**⚠ VORSICHT:** Wischen Sie das Sägemehl nach jedem Gebrauch vom Werkzeug ab. Anderenfalls kann feines Sägemehl in das Werkzeug gelangen und eine Funktionsstörung oder einen Brand verursachen.

**ANMERKUNG:** Verwenden Sie auf keinen Fall Benzin, Waschbenzin, Verdünnern, Alkohol oder dergleichen. Solche Mittel können Verfärbung, Verformung oder Rissbildung verursachen.

Um die SICHERHEIT und ZUVERLÄSSIGKEIT dieses Produkts zu gewährleisten, sollten Reparaturen und andere Wartungs- oder Einstellarbeiten nur von Makita-Vertragswerkstätten oder Makita-Kundendienstzentren unter ausschließlicher Verwendung von Makita-Originalersatzteilen ausgeführt werden.

## Einstellen der 0°- oder 45°-Schnittgenauigkeit

Diese Einstellung ist werksseitig durchgeführt worden. Falls sie jedoch verstellt ist, können Sie sie nach dem folgenden Verfahren korrigieren.

1. Lösen Sie die Klemmschrauben auf der Vorder- und Rückseite des Werkzeugs, damit der Neigungswinkel geändert werden kann. Stellen Sie den Stopper auf die 0° - 45°-Neigungswinkelposition, wenn Sie die 45°-Schnittgenauigkeit einstellen wollen.

► **Abb.47:** 1. Stopper

2. Richten Sie die Grundplatte mithilfe eines Einstelldreiecks senkrecht oder 45° zum Kreissägeblatt aus, indem Sie die Einstellschraube mit einem Inbusschlüssel drehen. Zum Einstellen des 0°-Winkels können Sie auch ein Richtlineal verwenden.

► **Abb.48:** 1. Einstelldreieck

► **Abb.49:** 1. Einstellschraube für 0°-Winkel  
2. Einstellschraube für 45°-Winkel

3. Ziehen Sie die Klemmschrauben fest, und führen Sie dann einen Probeschnitt durch, um zu prüfen, ob der gewünschte Winkel erhalten wird.

## Einstellen der Parallelität

**⚠ VORSICHT:** Halten Sie die Parallelität **genau**. Anderenfalls kann das Kreissägeblatt in die Führungsschiene einschneiden, und die beschädigte Führungsschiene kann eine Verletzung verursachen.

Diese Einstellung ist werksseitig durchgeführt worden. Falls sie jedoch verstellt ist, können Sie sie nach dem folgenden Verfahren korrigieren.

1. Stellen Sie das Werkzeug auf die maximale Schnitttiefe ein.
2. Vergewissern Sie sich, dass alle Hebel und Schrauben fest angezogen sind.
3. Lösen Sie die in der Abbildung gezeigten Schrauben.
4. Während Sie die untere Schutzhaube öffnen, verschieben Sie die Hinterkante der Grundplatte, so dass die Abstände A und B gleich groß werden.  
► **Abb.50:** 1. Schraube 2. Grundplatte
5. Ziehen Sie die Schrauben fest, und führen Sie einen Probeschnitt durch, um die Parallelität zu überprüfen.

## SONDERZUBEHÖR

**⚠ VORSICHT:** Die folgenden Zubehörteile oder Vorrichtungen werden für den Einsatz mit dem in dieser Anleitung beschriebenen Makita-Werkzeug empfohlen. Die Verwendung anderer Zubehörteile oder Vorrichtungen kann eine Verletzungsgefahr darstellen. Verwenden Sie Zubehörteile oder Vorrichtungen nur für ihren vorgesehenen Zweck.

Wenn Sie weitere Einzelheiten bezüglich dieser Zubehörteile benötigen, wenden Sie sich bitte an Ihre Makita-Kundendienststelle.

- Kreissägeblatt
- Parallelanschlag (Richtlineal)
- Aufhänger
- Führungsschiene
- Winkelführung
- Klemme
- Platte
- Gummiplatte
- Positionsplatte
- Absaugstutzen
- Inbuschlüssel
- Funk-Adapter (für DHS783)
- Original-Makita-Akku und -Ladegerät

**HINWEIS:** Manche Teile in der Liste können als Standardzubehör im Werkzeugsatz enthalten sein. Sie können von Land zu Land unterschiedlich sein.

## ITALIANO (Istruzioni originali)

### DATI TECNICI

Modello:		DHS782	DHS783
Diametro lama		185 - 190 mm	
Profondità di taglio max.	a 0°	60,0 - 62,5 mm	
	a un'inclinazione di taglio a unghia di 45°	43,0 - 44,5 mm	
	a un'inclinazione di taglio a unghia di 48°	41,0 - 42,0 mm	
Velocità a vuoto		6.000 min <sup>-1</sup>	
Lunghezza complessiva		348 mm	
Tensione nominale		36 V CC	
Peso netto		4,5 - 5,1 kg	

- A causa del nostro programma continuativo di ricerca e sviluppo, i dati tecnici sono soggetti a modifiche senza preavviso.
- I dati tecnici e la cartuccia della batteria potrebbero differire da nazione a nazione.
- Il peso può variare a seconda dell'accessorio o degli accessori, inclusa la cartuccia della batteria. La combinazione più leggera e quella più pesante, secondo la procedura EPTA 01/2014, sono indicate nella tabella.

#### Cartuccia della batteria e caricabatterie applicabili

Cartuccia della batteria	BL1815N / BL1820 / BL1820B / BL1830 / BL1830B / BL1840 / BL1840B / BL1850 / BL1850B / BL1860B
Caricabatterie	DC18RC / DC18RD / DC18RE / DC18SD / DC18SE / DC18SF

- Alcune cartucce delle batterie e alcuni caricabatterie elencati sopra potrebbero non essere disponibili a seconda della propria area geografica di residenza.

**AVVERTIMENTO:** Utilizzare solo le cartucce delle batterie e i caricabatterie elencati sopra. L'utilizzo di altre cartucce delle batterie e di altri caricabatterie potrebbe causare lesioni personali e/o un incendio.

#### Utilizzo previsto

Questo utensile è progettato per eseguire tagli diritti in direzione della lunghezza o in direzione trasversale e tagli obliqui ad angolo nel legno, mantenendo un saldo contatto con il pezzo in lavorazione. Utilizzando lame appropriate Makita originali, è possibile segare anche altri materiali.

#### Rumore

Livello tipico di rumore pesato A determinato in base allo standard EN62841-2-5:

##### Modello DHS782

Livello di pressione sonora ( $L_{pA}$ ): 93 dB (A)

Livello di potenza sonora ( $L_{WA}$ ): 104 dB (A)

Incertezza (K): 3 dB (A)

##### Modello DHS783

Livello di pressione sonora ( $L_{pA}$ ): 93 dB (A)

Livello di potenza sonora ( $L_{WA}$ ): 104 dB (A)

Incertezza (K): 3 dB (A)

**NOTA:** Il valore o i valori dichiarati delle emissioni di rumori sono stati misurati in conformità a un metodo standard di verifica, e possono essere utilizzati per confrontare un utensile con un altro.

**NOTA:** Il valore o i valori dichiarati delle emissioni di rumori possono venire utilizzati anche per una valutazione preliminare dell'esposizione.

**AVVERTIMENTO:** Indossare protezioni per le orecchie.

**AVVERTIMENTO:** L'emissione di rumori durante l'utilizzo effettivo dell'utensile elettrico può variare rispetto al valore o ai valori dichiarati, a seconda dei modi in cui viene utilizzato l'utensile e specialmente a seconda di che tipo di pezzo venga lavorato.

**AVVERTIMENTO:** Accertarsi di identificare misure di sicurezza per la protezione dell'operatore che siano basate su una stima dell'esposizione nelle condizioni effettive di utilizzo (tenendo conto di tutte le parti del ciclo operativo, ad esempio del numero di spegnimenti dell'utensile e di quando giri a vuoto, oltre al tempo di attivazione).

## Vibrazioni

Valore totale delle vibrazioni (somma vettoriale triassiale) determinato in base allo standard EN62841-2-5:

### Modello DHS782

Modalità di lavoro: taglio del legno  
Emissione di vibrazioni ( $a_{h,w}$ ): 2,5 m/s<sup>2</sup> o inferiore  
Incertezza (K): 1,5 m/s<sup>2</sup>

Modalità di lavoro: taglio del metallo  
Emissione di vibrazioni ( $a_{h,m}$ ): 2,5 m/s<sup>2</sup> o inferiore  
Incertezza (K): 1,5 m/s<sup>2</sup>

### Modello DHS783

Modalità di lavoro: taglio del legno  
Emissione di vibrazioni ( $a_{h,w}$ ): 2,5 m/s<sup>2</sup> o inferiore  
Incertezza (K): 1,5 m/s<sup>2</sup>

Modalità di lavoro: taglio del metallo  
Emissione di vibrazioni ( $a_{h,m}$ ): 2,5 m/s<sup>2</sup> o inferiore  
Incertezza (K): 1,5 m/s<sup>2</sup>

**NOTA:** Il valore o i valori complessivi delle vibrazioni dichiarati sono stati misurati in conformità a un metodo standard di verifica, e possono essere utilizzati per confrontare un utensile con un altro.

**NOTA:** Il valore o i valori complessivi delle vibrazioni dichiarati possono venire utilizzati anche per una valutazione preliminare dell'esposizione.

**⚠AVVERTIMENTO:** L'emissione delle vibrazioni durante l'utilizzo effettivo dell'utensile elettrico può variare rispetto al valore o ai valori dichiarati, a seconda dei modi in cui viene utilizzato l'utensile, specialmente a seconda di che tipo di pezzo venga lavorato.

**⚠AVVERTIMENTO:** Accertarsi di identificare misure di sicurezza per la protezione dell'operatore che siano basate su una stima dell'esposizione nelle condizioni effettive di utilizzo (tenendo conto di tutte le parti del ciclo operativo, ad esempio del numero di spegnimenti dell'utensile e di quando giri a vuoto, oltre al tempo di attivazione).

## Dichiarazione di conformità CE

*Solo per i paesi europei*

La dichiarazione di conformità CE è inclusa nell'Allegato A al presente manuale di istruzioni.

## AVVERTENZE DI SICUREZZA

### Avvertenze generali relative alla sicurezza dell'utensile elettrico

**⚠AVVERTIMENTO:** Leggere tutte le avvertenze di sicurezza, le istruzioni, le illustrazioni e i dati tecnici forniti con il presente utensile elettrico. La mancata osservanza di tutte le istruzioni elencate di seguito potrebbe risultare in scosse elettriche, incendi e/o gravi lesioni personali.

## Conservare tutte le avvertenze e le istruzioni come riferimento futuro.

Il termine "utensile elettrico" nelle avvertenze si riferisce sia all'utensile elettrico (cablato) nel funzionamento alimentato da rete elettrica che all'utensile elettrico (a batteria) nel funzionamento alimentato a batteria.

## Avvertenze di sicurezza per la sega circolare a batteria

### Procedure di taglio

- ⚠PERICOLO:** Tenere le mani lontane dall'area di taglio e dalla lama. Tenere la mano che non impugna l'utensile sul manico ausiliario o sull'alloggiamento del motore. Se si mantiene la sega con entrambe le mani, queste ultime non possono venire tagliate dalla lama.
  - Non mettere le mani sotto il pezzo.** La protezione non può proteggere l'operatore dalla lama al di sotto del pezzo.
  - Regolare la profondità di taglio in base allo spessore del pezzo.** Sotto il pezzo i denti della lama dovrebbero essere visibili per una lunghezza inferiore a un intero dente.
  - Non mantenere mai tra le mani o appoggiato di traverso sulla gamba il pezzo in lavorazione durante il taglio. Fissare il pezzo in lavorazione su una piattaforma stabile.** È importante sostenere correttamente il pezzo in lavorazione per ridurre al minimo l'esposizione del corpo, gli inceppamenti della lama o la perdita di controllo.
- Fig.1
- Mantenere l'utensile elettrico per le superfici di impugnatura isolate quando si esegue un'operazione in cui l'utensile da taglio potrebbe entrare in contatto con fili elettrici nascosti.** Il contatto con un filo elettrico sotto tensione mette sotto tensione anche le parti metalliche esposte dell'utensile elettrico, e potrebbe causare una scossa elettrica all'operatore.
  - Quando si intende eseguire tagli longitudinali, utilizzare sempre una guida di taglio o una guida per bordi dritti.** In tal modo si migliora la precisione del taglio e si riduce il rischio che la lama si blocchi.
  - Utilizzare sempre lame con dimensione e forma corretta (a diamante rispetto a quella circolare) dei fori per l'albero.** Le lame che non corrispondono all'attacco di montaggio della sega girano decentrate, causando la perdita di controllo.
  - Non utilizzare mai rondelle o bulloni per la lama danneggiati o errati.** Le rondelle e i bulloni per la lama sono stati progettati appositamente per le prestazioni ottimali e per la sicurezza d'uso della sega.

### Cause dei contraccolpi e avvertenze correlate

- il contraccolpo è una reazione improvvisa dovuta a una lama incastrata, inceppata o disallineata, che causa il sollevamento fuori dal pezzo in lavorazione e verso l'operatore di una sega fuori controllo;

- quando la lama è incastrata o inceppata con forza dal taglio che si chiude, la lama entra in stallo e la reazione del motore spinge rapidamente all'indietro l'unità verso l'operatore;
- qualora la lama si deformi o si disallinei nel taglio, i denti sul bordo posteriore della lama possono scavare nella superficie superiore del legno facendola fuoriuscire dal taglio e rimbalzare all'indietro verso l'operatore.

Il contraccolpo è il risultato dell'uso improprio della sega e/o di procedure o condizioni operative errate, e può essere evitato adottando le precauzioni appropriate indicate di seguito.

1. **Mantenere una presa solida con entrambe le mani sulla sega, e posizionare le braccia in modo da resistere alle forze del contraccolpo. Posizionare il corpo da un lato o dall'altro della lama, e non allineato con quest'ultima.** Un contraccolpo potrebbe far saltare all'indietro la sega, ma le sue forze possono essere controllate dall'operatore, se vengono adottate le precauzioni appropriate.
2. **Quando la lama si sta bloccando, oppure se per un qualsiasi motivo si intende interrompere il taglio, rilasciare l'interruttore e tenere la sega immobile nel materiale fino al suo arresto completo. Non cercare mai di rimuovere la sega dal pezzo o di tirarla all'indietro mentre la lama è in movimento, oppure si potrebbe verificare un contraccolpo.** Indagare e adottare delle misure correttive per eliminare la causa del blocco della lama.
3. **Quando si riavvia una sega all'interno di un pezzo in lavorazione, centrare la lama nel taglio in modo che i denti della sega non siano in contatto con il materiale.** Qualora la lama si inceppi, potrebbe risalire o produrre un contraccolpo dal pezzo in lavorazione quando la sega viene riavviata.
4. **Supportare i pannelli di grandi dimensioni per ridurre al minimo il rischio che la lama resti incastrata e i contraccolpi.** I pannelli di grandi dimensioni tendono a flettersi sotto il loro stesso peso. È necessario sistemare dei sostegni sotto il pannello su entrambi i lati, vicino alla linea di taglio e in prossimità dei bordi del pannello.

► Fig.2

► Fig.3

5. **Non utilizzare lame smussate o danneggiate.** Le lame non affilate o non applicate correttamente producono un taglio stretto che può causare frizioni eccessive, blocchi della lama e contraccolpi.
6. **Le leve di blocco della profondità della lama e di regolazione del taglio a unghia devono essere fissate saldamente prima del taglio.** Qualora la regolazione della lama si sposti durante il taglio, potrebbe causare un blocco o un contraccolpo della lama.
7. **Fare particolarmente attenzione quando si intende segare in pareti esistenti o altre aree cieche.** La lama che sporge potrebbe tagliare oggetti che possono causare contraccolpi.
8. **Tenere SEMPRE saldamente l'utensile con entrambe le mani. Non posizionare MAI una mano, una gamba o qualsiasi altra parte del corpo sotto la base dell'utensile o dietro la sega, specialmente quando si intende eseguire tagli di testa.** Qualora si verifici un contraccolpo, la sega potrebbe facilmente saltare all'indietro sulla mano, causando gravi lesioni personali.

► Fig.4

9. **Non forzare mai la sega. Spingere in avanti la sega a una velocità tale che la lama tagli senza rallentare.** Qualora si forzi la sega, si potrebbero causare tagli irregolari, perdita di precisione e possibili contraccolpi.

**Funzione della protezione**

1. **Controllare sempre che la protezione inferiore si chiuda correttamente prima dell'uso. Non utilizzare la sega qualora la protezione inferiore non si muova liberamente e non si chiuda istantaneamente. Non bloccare o legare mai la protezione inferiore in posizione di apertura.** Qualora la sega venga fatta cadere accidentalmente, la protezione inferiore potrebbe deformarsi. Sollevare la protezione inferiore con il manico retrattile e accertarsi che si muova liberamente e che non tocchi la lama o alcuna altra parte, a tutti gli angoli e a tutte le profondità di taglio.
2. **Controllare il funzionamento della molla della protezione inferiore. Qualora la protezione e la molla non funzionino correttamente, è necessario sottoporle a interventi di assistenza prima dell'uso.** La protezione inferiore potrebbe funzionare lentamente a causa di parti danneggiate, depositi gommosi o accumulazione di detriti.
3. **La protezione inferiore può essere fatta rientrare manualmente solo per tagli speciali quali i "tagli a immersione" e i "tagli compositi". Sollevare la protezione inferiore facendo rientrare il manico retrattile e rilascerla non appena la lama penetra nel materiale.** Per tutti gli altri tagli, la protezione inferiore dovrebbe funzionare automaticamente.
4. **Accertarsi sempre che la protezione inferiore copra la lama prima di posare la sega sul banco di lavoro o sul pavimento.** Una lama non protetta in rotazione inerziale fa muovere all'indietro la sega, tagliando tutto ciò che incontra sul suo percorso. Tenere presente il tempo necessario alla lama per arrestarsi dopo il rilascio dell'interruttore.
5. **Per controllare la protezione inferiore, aprirla manualmente, quindi rilascerla e osservarla mentre si chiude. Controllare anche che il manico retrattile non tocchi il corpo dell'utensile.** Lasciare la lama esposta È MOLTO PERICOLOSO e può causare gravi lesioni personali.

**Avvertenze aggiuntive per la sicurezza**

1. **Fare particolarmente attenzione quando si intende tagliare legno umido, legname trattato a pressione o legno contenente nodi.** Mantenere un avanzamento uniforme dell'utensile senza ridurre la velocità della lama, per evitare il surriscaldamento delle punte della lama.
2. **Non cercare di rimuovere il materiale tagliato quando la lama è in movimento. Attendere che la lama si sia arrestata prima di afferrare il materiale tagliato.** Le lame continuano a girare per inerzia dopo lo spegnimento.
3. **Evitare di tagliare i chiodi. Ispezionare il legname e rimuovere tutti i chiodi prima di eseguire tagli.**

4. Collocare la porzione più ampia della base della sega sulla parte del pezzo supportata saldamente, e non sulla sezione destinata a cadere una volta eseguito il taglio. Qualora il pezzo sia corto o piccolo, bloccarlo con una morsa. **NON TENTARE DI TENERE IN MANO I PEZZI CORTI!**

► Fig.5

5. Prima di posare l'utensile dopo aver completato un taglio, accertarsi che la protezione si sia chiusa e che la lama si sia arrestata completamente.
6. Non tentare mai di segare con la sega circolare tenuta capovolta in una morsa. Ciò è estremamente pericoloso e può causare incidenti gravi.

► Fig.6

7. Alcuni materiali contengono sostanze chimiche che possono essere tossiche. Fare attenzione per evitare l'inalazione della polvere e il contatto con la pelle. Attenersi ai dati sulla sicurezza del fornitore del materiale.
8. Non arrestare la lama esercitando una pressione laterale sulla lama stessa.
9. Non utilizzare alcun tipo di dischi abrasivi.
10. Utilizzare esclusivamente una lama che abbia il diametro indicato sull'utensile o specificato nel manuale. L'uso di una lama di dimensioni errate potrebbe influire sulla corretta protezione della lama o sul funzionamento della protezione, il che potrebbe risultare in gravi lesioni personali.
11. **Mantenere la lama affilata e pulita.** Collanti e pece di legno induriti sulle lame rallentano la sega e aumentano la possibilità dei contraccolpi. Mantenere pulita la lama, innanzitutto rimuovendola dall'utensile e quindi pulendola con un solvente per collanti e pece di legno, quali acqua calda o cherosene. Non utilizzare mai benzina.
12. **Quando si utilizza l'utensile, indossare una mascherina antipolvere e protezioni acustiche.**
13. **Utilizzare sempre una lama destinata al taglio del materiale che si intende tagliare.**
14. **Utilizzare solo lame che siano contrassegnate con una velocità pari o superiore a quella contrassegnata sull'utensile.**
15. **(Solo per le nazioni europee)** Utilizzare sempre una lama conforme allo standard EN847-1.

## CONSERVARE LE PRESENTI ISTRUZIONI.

**⚠AVVERTIMENTO:** NON lasciare che comodità o la familiarità d'utilizzo con il prodotto (acquisita con l'uso ripetuto) sostituisca la stretta osservanza delle norme di sicurezza per il prodotto in questione. L'USO IMPROPRIO o la mancata osservanza delle norme di sicurezza indicate nel presente manuale di istruzioni potrebbero causare gravi lesioni personali.

## Istruzioni di sicurezza importanti per la cartuccia della batteria

1. Prima di utilizzare la cartuccia della batteria, leggere tutte le istruzioni e le avvertenze riportate (1) sul caricabatteria, (2) sulla batteria e (3) sul prodotto che utilizza la batteria.
2. Non smontare la cartuccia della batteria.
3. Qualora il tempo di utilizzo si riduca eccessivamente, interrompere immediatamente l'utilizzo dell'utensile. In caso contrario, si può incorrere nel rischio di surriscaldamento, possibili ustioni e persino un'esplosione.
4. Qualora l'elettrolita entri in contatto con gli occhi, sciacquarli con acqua pulita e richiedere immediatamente assistenza medica. Questa eventualità può risultare nella perdita della vista.
5. **Non cortocircuitare la cartuccia della batteria:**
  - (1) Non toccare i terminali con alcun materiale conduttivo.
  - (2) Evitare di conservare la cartuccia della batteria in un contenitore insieme ad altri oggetti metallici quali chiodi, monete, e così via.
  - (3) Non esporre la cartuccia della batteria all'acqua o alla pioggia.**Un cortocircuito della batteria può causare un grande flusso di corrente, un surriscaldamento, possibili ustioni e persino un guasto.**
6. **Non conservare l'utensile e la cartuccia della batteria in ubicazioni in cui la temperatura possa raggiungere o superare i 50°C.**
7. **Non incenerire la cartuccia della batteria anche qualora sia gravemente danneggiata o completamente esaurita. La cartuccia della batteria può esplodere se a contatto con il fuoco.**
8. **Fare attenzione a non far cadere e a non colpire la batteria.**
9. **Non utilizzare una batteria danneggiata.**
10. **Le batterie a ioni di litio contenute sono soggette ai requisiti del regolamento sul trasporto di merci pericolose (Dangerous Goods Legislation).**

Per trasporti commerciali, ad esempio da parte di terzi o spedizionieri, è necessario osservare dei requisiti speciali sull'imballaggio e sull'etichetta. Per la preparazione dell'articolo da spedire, è richiesta la consulenza di un esperto in materiali pericolosi. Attenersi anche alle normative nazionali, che potrebbero essere più dettagliate. Nastrare o coprire i contatti aperti e imballare la batteria in modo tale che non si possa muovere liberamente all'interno dell'imballaggio.
11. **Attenersi alle normative locali relative allo smaltimento della batteria.**
12. **Utilizzare le batterie esclusivamente con i prodotti specificati da Makita.** L'installazione delle batterie in prodotti non compatibili potrebbe risultare in incendi, calore eccessivo, esplosioni o perdite di liquido elettrolitico.

## CONSERVARE LE PRESENTI ISTRUZIONI.



**⚠ATTENZIONE:** Utilizzare solo batterie originali Makita. L'utilizzo di batterie Makita non originali, o di batterie che siano state alterate, potrebbe risultare nello scoppio della batteria, causando incendi, lesioni personali e danni. Inoltre, ciò potrebbe invalidare la garanzia Makita per l'utensile e il caricabatterie Makita.

## Suggerimenti per preservare la durata massima della batteria

1. Caricare la cartuccia della batteria prima che si scarichi completamente. Smettere sempre di utilizzare l'utensile e caricare la cartuccia della batteria quando si nota che la potenza dell'utensile è diminuita.
2. Non ricaricare mai una cartuccia della batteria completamente carica. La sovraccarica riduce la vita utile della batteria.
3. Caricare la cartuccia della batteria a una temperatura ambiente compresa tra 10°C e 40°C. Lasciar raffreddare una cartuccia della batteria prima di caricarla.
4. Caricare la cartuccia della batteria se non la si è utilizzata per un periodo di tempo prolungato (più di sei mesi).

## Istruzioni importanti per la sicurezza dell'unità senza fili

1. Non smontare né manomettere l'unità senza fili.
2. Tenere l'unità senza fili lontana dai bambini piccoli. Qualora venga inghiottita accidentalmente, richiedere immediatamente assistenza medica.
3. Utilizzare l'unità senza fili esclusivamente con utensili Makita.
4. Non esporre l'unità senza fili alla pioggia o a condizioni di bagnato.
5. Non utilizzare l'unità senza fili in luoghi in cui la temperatura superi i 50°C.
6. Non utilizzare l'unità senza fili in luoghi in cui siano presenti strumenti medici, ad esempio pacemaker, nelle vicinanze.
7. Non utilizzare l'unità senza fili in luoghi in cui siano presenti dispositivi automatizzati nelle vicinanze. In caso contrario, i dispositivi automatizzati potrebbero sviluppare un malfunzionamento o un errore.
8. Non far funzionare l'unità senza fili in ubicazioni con temperatura ambiente elevata o in ubicazioni in cui potrebbero venire generati elettricità statica o disturbi elettrici.
9. L'unità senza fili può produrre campi elettromagnetici (EMF) ma questi ultimi non sono dannosi per l'utente.
10. L'unità senza fili è uno strumento preciso. Fare attenzione a non far cadere e a non colpire l'unità senza fili.
11. Evitare di toccare il terminale dell'unità senza fili a mani nude o con materiali metallici.
12. Rimuovere sempre la batteria sul prodotto quando si intende installare su quest'ultimo l'unità senza fili.
13. Quando si intende aprire il coperchio dell'alloggiamento, evitare ubicazioni in cui polvere e acqua potrebbero penetrare nell'alloggiamento. Mantenere sempre l'apertura di entrata dell'alloggiamento pulita.
14. Inserire sempre l'unità senza fili nella direzione corretta.
15. Non premere con forza eccessiva il pulsante di attivazione della comunicazione senza fili sull'unità senza fili, né premere il pulsante con un oggetto dal bordo affilato.
16. Chiudere sempre il coperchio dell'alloggiamento durante il funzionamento.
17. Non rimuovere l'unità senza fili dall'alloggiamento mentre viene fornita l'alimentazione all'utensile. In caso contrario, si potrebbe causare un malfunzionamento dell'unità senza fili.
18. Non rimuovere l'adesivo sull'unità senza fili.
19. Non applicare alcun adesivo sull'unità senza fili.
20. Non lasciare l'unità senza fili in un'ubicazione in cui potrebbero venire generati elettricità statica o disturbi elettrici.
21. Non lasciare l'unità senza fili in ubicazioni soggette a calore elevato, ad esempio in un'auto parcheggiata al sole.
22. Non lasciare l'unità senza fili in ubicazioni polverose o in ubicazioni in cui potrebbero venire generati gas corrosivi.
23. Una variazione improvvisa di temperatura potrebbe far bagnare di condensa l'unità senza fili. Non utilizzare l'unità senza fili fino alla completa asciugatura della condensa.
24. Quando si intende pulire l'unità senza fili, passarvi sopra delicatamente un panno morbido asciutto. Non utilizzare benzina per pulizia, diluenti, grasso conduttivo o simili.
25. Quando si intende riporre l'unità senza fili, conservarla nella custodia in dotazione o in un contenitore antistatico.
26. Non inserire alcun dispositivo diverso dall'unità senza fili Makita nell'alloggiamento presente sull'utensile.
27. Non utilizzare l'utensile con il coperchio dell'alloggiamento danneggiato. Qualora nell'alloggiamento penetrino acqua, polvere e sporco, potrebbero causare un malfunzionamento.
28. Non tirare né attorcigliare il coperchio dell'alloggiamento oltre il necessario. Qualora il coperchio si stacchi dall'utensile, riapplicarlo.
29. Qualora il coperchio dell'alloggiamento vada perso o venga danneggiato, sostituirlo.

## CONSERVARE LE PRESENTI ISTRUZIONI.

## DESCRIZIONE DELLE FUNZIONI

**ATTENZIONE:** Accertarsi sempre che l'utensile sia spento e che la cartuccia della batteria sia stata rimossa prima di regolare o di controllare il funzionamento dell'utensile.

### Installazione o rimozione della cartuccia della batteria

**ATTENZIONE:** Spegnerne sempre l'utensile prima di installare o rimuovere la cartuccia della batteria.

**ATTENZIONE:** Mantenere saldamente lo strumento e la batteria quando si intende installare o rimuovere la cartuccia della batteria. Qualora non si mantengano saldamente lo strumento e la cartuccia della batteria, questi ultimi potrebbero scivolare dalle mani, con la possibilità di causare un danneggiamento dello strumento e della cartuccia della batteria, nonché una lesione personale.

**ATTENZIONE:** Portare sempre in basso la base quando si intende installare o rimuovere le batterie. Fare attenzione a non far restare le dita incastrate.

**ATTENZIONE:** Non utilizzare l'adattatore per batteria con la sega circolare. Il cavo dell'adattatore per batteria potrebbe interferire con il funzionamento e risultare in lesioni personali.

► Fig.7: 1. Leva 2. Indicatore rosso 3. Pulsante 4. Cartuccia della batteria

Prima di rimuovere la cartuccia della batteria, allentare la leva di regolazione della profondità per abbassare la base dell'utensile. Quindi, rimuovere la batteria facendola scorrere dall'utensile mentre si fa scorrere il pulsante sulla parte anteriore della cartuccia.

Per installare la cartuccia della batteria, allineare l'appendice della batteria con la scanalatura nell'alloggiamento e farla scivolare in sede. Inserirli completamente fino al suo blocco in sede con un leggero scatto. Se è possibile vedere l'indicatore rosso sul lato superiore del pulsante, la batteria non è bloccata completamente.

**ATTENZIONE:** Installare sempre fino in fondo la cartuccia della batteria, fino a quando l'indicatore rosso non è più visibile. In caso contrario, la batteria potrebbe cadere accidentalmente dall'utensile, causando lesioni personali all'operatore o a chi gli è vicino.

**ATTENZIONE:** Non installare forzatamente la cartuccia della batteria. Qualora la batteria non si inserisca scorrendo agevolmente, vuol dire che non viene inserita correttamente.

**NOTA:** L'utensile non funziona con una sola cartuccia della batteria.

## Sistema di protezione strumento/ batteria

Lo strumento è dotato di un sistema di protezione strumento/ batteria. Questo sistema interrompe automaticamente l'alimentazione al motore, per prolungare la vita utile dello strumento e della batteria. L'utensile si arresta automaticamente durante il funzionamento, qualora l'utensile stesso o la batteria vengano a trovarsi in una delle condizioni seguenti: In alcune condizioni, gli indicatori si illuminano.

### Protezione dal sovraccarico

Quando si utilizza l'utensile in modo da causarne un assorbimento di corrente elevato in modo anomalo, l'utensile si arresta automaticamente. In questa circostanza, spegnere l'utensile e interrompere l'applicazione che ha causato il sovraccarico dell'utensile. Quindi, accendere l'utensile per riavviarlo.

### Protezione dal surriscaldamento

Quando l'utensile è surriscaldato si arresta automaticamente, e l'indicatore della batteria lampeggia per circa 60 secondi. In questa circostanza, lasciar raffreddare l'utensile prima di riaccenderlo.

■ Acceso	◻ Lampeggiante

### Protezione dalla sovrascarica

Quando la carica della batteria diventa bassa, l'utensile si arresta automaticamente. Qualora il prodotto non funzioni anche quando si attivano gli interruttori, rimuovere le batterie dall'utensile e caricarle.

## Indicazione della carica residua della batteria

► Fig.8: 1. Indicatore della batteria 2. Pulsante di controllo

Premere il pulsante di controllo per indicare le cariche residue delle batterie. Gli indicatori delle batterie corrispondono alle rispettive batterie.

Stato dell'indicatore della batteria			Carica residua della batteria
■ Acceso	◻ Spento	◻ Lampeggiante	
			Dal 50% al 100%
			Dal 20% al 50%
			Dallo 0% al 20%
			Caricare la batteria

## Indicazione della carica residua della batteria

Solo per cartucce delle batterie dotate di indicatore

► Fig.9: 1. Indicatori luminosi 2. Pulsante di controllo

Premere il pulsante di controllo sulla cartuccia della batteria per indicare la carica residua della batteria. Gli indicatori luminosi si illuminano per alcuni secondi.

Indicatori luminosi			Carica residua
■ Illuminato	□ Spento	◐ Lampeggiante	
■ ■ ■ ■			Dal 75% al 100%
■ ■ ■ □			Dal 50% al 75%
■ ■ □ □			Dal 25% al 50%
■ □ □ □			Dallo 0% al 25%
◐ □ □ □			Caricare la batteria.
■ ■ □ □	□ □	■ ■	La batteria potrebbe essersi guastata.

**NOTA:** A seconda delle condizioni d'uso e della temperatura ambiente, l'indicazione potrebbe variare leggermente rispetto alla carica effettiva.

## Funzionamento dell'interruttore

**AVVERTIMENTO:** Prima di inserire la cartuccia della batteria nell'utensile, controllare sempre che l'interruttore a grilletto funzioni correttamente e torni sulla posizione "OFF" quando viene rilasciato.

**AVVERTIMENTO:** Non rendere MAI inefficace il pulsante di sblocco tenendolo premuto con nastro adesivo o in altri modi. Un interruttore con un pulsante di sblocco che sia stato reso inefficace potrebbe risultare in un funzionamento accidentale e in gravi lesioni personali.

**AVVERTIMENTO:** Non utilizzare MAI l'utensile qualora si avvii semplicemente premendo l'interruttore a grilletto senza tenere premuto il pulsante di sblocco. Un interruttore che necessiti di riparazione potrebbe risultare in un funzionamento accidentale e in gravi lesioni personali. Riportare l'utensile a un centro di assistenza Makita per le riparazioni necessarie PRIMA di un ulteriore utilizzo.

L'utensile è dotato di un pulsante di sblocco, per evitare di premere accidentalmente l'interruttore a grilletto. Per avviare l'utensile, premere il pulsante di sblocco e premere l'interruttore a grilletto. Rilasciare l'interruttore a grilletto per arrestarlo.

► Fig.10: 1. Interruttore a grilletto 2. Pulsante di sblocco

**AVVISO:** Non premere con forza l'interruttore a grilletto senza aver fatto rientrare il pulsante di sblocco premendolo. In caso contrario, si potrebbe causare la rottura dell'interruttore.

**ATTENZIONE:** L'utensile inizia a frenare la rotazione della lama per sega circolare subito dopo il rilascio dell'interruttore a grilletto.

Mantenere saldamente l'utensile per rispondere alla reazione del freno, quando si intende rilasciare l'interruttore a grilletto. Una reazione improvvisa può far cadere l'utensile dalle mani e può causare lesioni personali.

## Funzione di variazione automatica della velocità

Questo utensile dispone di una "modalità ad alta velocità" e di una "modalità a coppia elevata".

L'utensile cambia automaticamente la modalità operativa a seconda del carico di lavoro. Quando il carico di lavoro è basso, l'utensile funziona in "modalità ad alta velocità", per operazioni di taglio più veloci. Quando il carico di lavoro è alto, l'utensile funziona in "modalità a coppia elevata", per operazioni di taglio potenti.

► Fig.11: 1. Indicatore di modalità

L'indicatore di modalità si illumina in verde quando l'utensile funziona in "modalità a coppia elevata".

Qualora l'utensile venga fatto funzionare con un carico eccessivo, l'indicatore di modalità lampeggia in verde. L'indicatore di modalità smette di lampeggiare, quindi si illumina o si spegne se si riduce il carico sull'utensile.

Stato dell'indicatore di modalità			Modalità di funzionamento
● Acceso	○ Spento	◐ Lampeggiante	
	○		Modalità ad alta velocità
●			Modalità a coppia elevata
		◐	Allarme di sovraccarico

## Regolazione della profondità di taglio

**ATTENZIONE:** Dopo aver regolato la profondità di taglio, serrare sempre saldamente la leva.

Allentare la leva sulla guida di profondità e spostare verso l'alto o verso il basso la base. Alla profondità di taglio desiderata, fissare la base serrando la leva. Per dei tagli più puliti e più sicuri, regolare la profondità di taglio in modo che al di sotto del pezzo in lavorazione non sporga più di un dente della lama. L'utilizzo della profondità di taglio corretta contribuisce a ridurre il rischio potenziale di pericolosi CONTRACCOLPI che possono causare lesioni personali.

► Fig.12: 1. Leva

## Tagli a unghia

**ATTENZIONE:** Dopo aver regolato l'angolo di taglio a unghia, serrare sempre saldamente le viti di fissaggio.

Allentare le viti di fissaggio. Impostare l'angolo desiderato inclinando l'utensile di conseguenza, quindi serrare saldamente le viti di fissaggio.

► Fig.13: 1. Vite di fissaggio

Utilizzare il fermo quando si intende effettuare tagli di precisione a un angolo di 45°. Ruotare completamente il fermo come indicato nella figura, a seconda che si tratti di un taglio a unghia con angolazione tra 0° e 45° o di un taglio a unghia con angolazione tra 0° e 48°.

► Fig.14: 1. Fermo

## Allineamento

Per i tagli dritti, allineare la posizione a 0° sulla parte anteriore della base con la linea di taglio desiderata. Per i tagli a unghia a 45°, allineare la posizione a 45° con la linea di taglio.

► Fig.15: 1. Linea di taglio (posizione a 0°) 2. Linea di taglio (posizione a 45°)

## Accensione della lampada

**ATTENZIONE:** Non osservare né guardare direttamente la fonte di luce.

Per accendere la lampada senza far funzionare l'utensile, premere l'interruttore a grilletto senza premere il pulsante di sblocco.

Per accendere la lampada e far funzionare l'utensile, tenere premuto il pulsante di sblocco e premere l'interruttore a grilletto.

La lampada si spegne 10 secondi dopo il rilascio dell'interruttore a grilletto.

► Fig.16: 1. Lampada

**NOTA:** Per pulire la sporcizia dalla lente della lampadina, utilizzare un panno asciutto. Fare attenzione a non graffiare la lente della lampadina, altrimenti si potrebbe ridurre l'illuminazione.

## Gancio

### Accessorio opzionale

**ATTENZIONE:** Rimuovere sempre la batteria quando si intende appendere l'utensile con il gancio.

**ATTENZIONE:** Non appendere mai l'utensile con il gancio in ubicazioni elevate o su superfici su cui l'utensile potrebbe perdere l'equilibrio e cadere.

**ATTENZIONE:** Non tirare l'utensile verso il basso quando è agganciato.

Il gancio è comodo per appendere temporaneamente l'utensile.

► Fig.17

Fissare il gancio con le viti come indicato nella figura.

► Fig.18: 1. Gancio 2. Vite

Per utilizzare il gancio, è sufficiente girarlo fino a quando si innesta nella posizione aperta. Quando il gancio non è in uso, girarlo sempre fino a quando si innesta nella posizione chiusa.

► Fig.19: 1. Posizione aperta 2. Posizione chiusa

## Freno elettrico

Questo utensile è dotato di un freno lama elettrico. Qualora l'utensile non riesca ripetutamente ad arrestare la lama per sega circolare rapidamente dopo il rilascio della leva dell'interruttore, far sottoporre a riparazione l'utensile presso un centro di assistenza Makita.

**ATTENZIONE:** Il sistema del freno lama non rappresenta un sostituto della protezione lama. NON UTILIZZARE MAI L'UTENSILE SENZA UNA PROTEZIONE LAMA FUNZIONANTE. IN CASO CONTRARIO, SI POTREBBERO CAUSARE GRAVI LESIONI PERSONALI.

## Funzione elettronica

Gli utensili dotati di funzione elettronica sono di semplice utilizzo, grazie alla caratteristica o alle caratteristiche seguenti.

### Funzione di avvio morbido

Avvio morbido, grazie alla soppressione dell'impatto di avvio.

## MONTAGGIO

**ATTENZIONE:** Accertarsi sempre che l'utensile sia spento e che la cartuccia della batteria sia stata rimossa, prima di effettuare qualsiasi intervento sull'utensile.

## Conservazione della chiave esagonale

Quando non si utilizza la chiave esagonale, riporla come mostrato nella figura per evitare di perderla.

► Fig.20: 1. Chiave esagonale

## Rimozione o installazione della lama per sega circolare

**ATTENZIONE:** Accertarsi di installare la lama per sega circolare con i denti rivolti verso l'alto nella parte anteriore dell'utensile.

**ATTENZIONE:** Utilizzare solo la chiave Makita per installare o rimuovere la lama per sega circolare.

Per rimuovere la lama per sega circolare, premere a fondo il blocco dell'albero in modo che la lama per sega circolare non possa girare, quindi utilizzare la chiave esagonale per allentare il bullone esagonale. Quindi, rimuovere il bullone esagonale, la flangia esterna, la lama per sega circolare e l'anello (specifico in base alla nazione).

► Fig.21: 1. Blocco dell'albero 2. Chiave esagonale 3. Per allentare 4. Per serrare

Per utensili privi di anello

- Fig.22: 1. Bullone esagonale 2. Flangia esterna  
3. Lama per sega circolare 4. Flangia interna

Per utensili dotati di anello

- Fig.23: 1. Bullone esagonale 2. Flangia esterna  
3. Lama per sega circolare 4. Anello  
5. Flangia interna

Per installare la lama per sega circolare, seguire la procedura di rimozione in ordine inverso.

### Per utensili con flangia interna per una lama con foro di diametro diverso da 15,88 mm

La flangia interna presenta una sporgenza di un determinato diametro da un lato e una sporgenza con un diametro diverso dall'altro lato. Scegliere il lato corretto sul quale la sporgenza entri perfettamente nel foro della lama. Montare la flangia interna sull'albero di montaggio in modo che il lato corretto della sporgenza sulla flangia interna sia rivolto verso l'esterno, quindi applicare la lama e la flangia esterna.

- Fig.24: 1. Albero di montaggio 2. Flangia interna  
3. Lama per sega circolare 4. Flangia esterna 5. Bullone esagonale

**AVVERTIMENTO:** ACCERTARSI DI SERRARE SALDAMENTE IN SENSO ORARIO IL BULLONE ESAGONALE. Inoltre, fare attenzione a non serrare il bullone applicando forza eccessiva. Qualora la mano scivoli dalla chiave esagonale, si potrebbero causare lesioni personali.

**AVVERTIMENTO:** Accertarsi che la sporgenza "a" sulla flangia interna che è posizionata all'esterno entri perfettamente nel foro della lama "a". Il montaggio della lama sul lato sbagliato potrebbe risultare in vibrazioni pericolose.

### Per utensili con flangia interna per una lama con foro di diametro da 15,88 mm (specifico in base alla nazione)

Montare sull'albero di montaggio la flangia interna con il lato incavato rivolto verso l'esterno, quindi applicare la lama (con l'anello montato, se necessario), la flangia esterna e il bullone esagonale.

Per utensili privi di anello

- Fig.25: 1. Albero di montaggio 2. Flangia interna  
3. Lama per sega circolare 4. Flangia esterna 5. Bullone esagonale

Per utensili dotati di anello

- Fig.26: 1. Albero di montaggio 2. Flangia interna  
3. Lama per sega circolare 4. Flangia esterna 5. Bullone esagonale 6. Anello

**AVVERTIMENTO:** ACCERTARSI DI SERRARE SALDAMENTE IN SENSO ORARIO IL BULLONE ESAGONALE. Inoltre, fare attenzione a non serrare il bullone applicando forza eccessiva. Qualora la mano scivoli dalla chiave esagonale, si potrebbero causare lesioni personali.

**AVVERTIMENTO:** Qualora sia necessario l'anello per montare la lama sul mandrino, accertarsi sempre che l'anello appropriato per il foro per l'albero della lama che si intende utilizzare sia installato tra la flangia interna e quella esterna. L'utilizzo di un anello errato per il foro per l'albero potrebbe risultare nel montaggio errato della lama, causando lo spostamento di quest'ultima e forti vibrazioni che potrebbero portare alla possibilità di perdita di controllo durante il funzionamento e gravi lesioni personali.

### Pulizia della protezione lama

Quando si intende sostituire la lama per sega circolare, accertarsi di pulire anche le protezioni superiore e inferiore della lama dalla segatura accumulata, come descritto nella sezione Manutenzione. Tali operazioni non sostituiscono l'esigenza di controllare il funzionamento della protezione inferiore prima di ciascun utilizzo.

### Collegamento di un aspiratore

Se si desidera eseguire operazioni di taglio senza produrre polveri, collegare un aspirapolvere Makita all'utensile. Collegare un manico dell'aspirapolvere alla bocchetta per le polveri, come indicato nella figura.

- Fig.27: 1. Bocchetta per le polveri 2. Vite

- Fig.28: 1. Manico 2. Aspirapolvere

## FUNZIONAMENTO

Questo utensile è destinato al taglio di prodotti in legno. Utilizzando lame per seghe circolari Makita originali appropriate, è possibile segare anche i materiali seguenti:

- Prodotti in alluminio

Per informazioni sulle lame per seghe circolari corrette da utilizzare per il materiale da tagliare, consultare il nostro sito web o contattare il proprio rivenditore locale Makita.

### Controllo della funzione della protezione lama

Impostare l'angolo di taglio a unghia su 0°, quindi ritirare manualmente la protezione inferiore fino a fine corsa e rilasciarla. La protezione inferiore funziona correttamente se:

- viene ritirata al di sopra della base senza alcun impedimento, e;
- torna automaticamente in posizione ed entra in contatto con il fermo.

- Fig.29: 1. Protezione superiore 2. Protezione inferiore  
3. Base 4. Fermo 5. Per aprire 6. Per chiudere

Qualora la protezione inferiore non funzioni correttamente, controllare se della segatura si sia accumulata all'interno della protezione superiore e di quella inferiore. Qualora la protezione inferiore non funzioni correttamente anche dopo aver rimosso la segatura, far sottoporre ad assistenza l'utensile presso un centro di assistenza Makita.

## Operazione di taglio

**⚠ATTENZIONE:** Quando si intende eseguire un'operazione di taglio, indossare una maschera antipolvere.

**⚠ATTENZIONE:** Accertarsi di spostare l'utensile in avanti procedendo delicatamente in linea retta. La forzatura o la torsione dell'utensile possono causare il surriscaldamento del motore e pericolosi contraccolpi, con la possibilità di causare gravi lesioni personali.

**NOTA:** Quando la temperatura della cartuccia della batteria è bassa, l'utensile potrebbe non operare alla massima capacità. In questa eventualità utilizzare l'utensile, ad esempio, per un taglio a carico leggero per un breve periodo di tempo, fino a quando la cartuccia della batteria si riscalda e raggiunge la temperatura ambiente. A questo punto l'utensile può lavorare alla massima capacità.

► Fig.30

Tenere l'utensile saldamente. L'utensile è dotato sia di un'impugnatura anteriore che di un manico posteriore. Utilizzarli entrambi per afferrare l'utensile. Se entrambe le mani mantengono la sega, non possono venire tagliate dalla lama per sega circolare. Collocare la base sul pezzo in lavorazione da tagliare senza fare entrare in contatto con quest'ultimo la lama per sega circolare. Quindi, accendere l'utensile e attendere che la lama per sega circolare abbia raggiunto la velocità massima. Ora, far avanzare semplicemente l'utensile sulla superficie del pezzo in lavorazione, procedendo in piano e in modo uniforme fino al completamento del taglio. Per ottenere dei tagli puliti, mantenere dritta la linea di taglio e avanzare a velocità costante. Qualora il taglio non segua correttamente la linea di taglio desiderata, non tentare di ruotare o forzare l'utensile per riportarlo sulla linea di taglio. In caso contrario, si potrebbe far bloccare la lama per sega circolare e causare pericolosi contraccolpi, con la possibilità di gravi lesioni personali. Rilasciare l'interruttore, attendere che la lama per sega circolare si arresti, quindi rimuovere l'utensile. Riallineare l'utensile sulla nuova linea di taglio e iniziare di nuovo a tagliare. Cercare di evitare posizioni che esponano l'operatore ai trucioli e alla segatura espulsi dalla sega. Come aiuto per evitare lesioni personali, indossare occhiali di protezione.

## Guida di taglio (righello guida)

**⚠ATTENZIONE:** Accertarsi che la guida di taglio sia installata saldamente nella posizione corretta, prima dell'uso. Un montaggio errato potrebbe causare un pericoloso contraccolpo.

► Fig.31: 1. Guida di taglio (righello guida) 2. Vite di fissaggio

La comoda guida di taglio consente di realizzare tagli dritti della massima precisione. È sufficiente far scorrere la guida di taglio mantenendola aderente al fianco del pezzo in lavorazione e fissarla in posizione con la vite sulla parte anteriore della base. La guida consente anche di realizzare tagli ripetuti di larghezza uniforme.

## Binario guida

### Accessorio opzionale

Posizionare l'utensile sull'estremità posteriore del binario guida. Ruotare due viti di regolazione sulla base dell'utensile in modo che quest'ultimo scorra agevolmente senza produrre rumori metallici. Mantenere saldamente sia l'impugnatura anteriore che la maniglia posteriore dell'utensile. Accendere l'utensile e tagliare il paraschegge per l'intera lunghezza con un singolo colpo. Ora il bordo del paraschegge corrisponde al bordo di taglio.

► Fig.32: 1. Viti di regolazione

Quando si intende effettuare tagli a unghia con il binario guida, utilizzare la leva scorrevole per evitare che l'utensile si rovesci.

Spostare la leva scorrevole sulla base dell'utensile nella direzione della freccia, in modo che si innesti nella scanalatura intagliata lateralmente nel binario guida.

► Fig.33: 1. Leva scorrevole

## Collegamento di un cordino (cinghia di sicurezza)

### ⚠Avvertenze di sicurezza specifiche per l'utilizzo in altezza

**Leggere tutte le avvertenze di sicurezza e le istruzioni.** La mancata osservanza delle avvertenze e delle istruzioni potrebbe risultare in gravi lesioni personali.

1. **Tenere sempre l'utensile legato con un cordino quando si lavora "in altezza". La lunghezza massima del cordino è di 2 m.**
2. **Utilizzare solo cordini appropriati per questo tipo di utensile e omologati per almeno 6,0 kg (13,3 lbs).**
3. **Non ancorare il cordino dell'utensile ad alcunché sul proprio corpo o su componenti mobili. Ancorare il cordino dell'utensile a una struttura rigida in grado di sopportare le forze di un utensile caduto.**
4. **Accertarsi che il cordino sia fissato correttamente a ciascuna estremità prima dell'uso.**
5. **Ispezionare l'utensile e il cordino prima di ciascun utilizzo alla ricerca di eventuali danni e per verificarne il funzionamento corretto (incluso il tessuto e le cuciture). Non utilizzarlo qualora sia danneggiato o non funzioni correttamente.**
6. **Non avvolgere i cordini intorno a bordi affilati o ruvidi, né consentire che entrino in contatto con bordi affilati o ruvidi.**
7. **Fissare l'altra estremità del cordino al di fuori dell'area di lavoro, in modo che un utensile che cada venga mantenuto saldamente.**
8. **Montare il cordino in modo che l'utensile, qualora cada, si allontani dall'operatore.** Gli utensili caduti dondolano sul cordino, il che potrebbe causare lesioni personali o perdita di equilibrio.
9. **Non utilizzarlo in prossimità di parti mobili o macchinari in funzione.** La mancata osservanza di questa indicazione potrebbe risultare in uno schiacciamento o nel pericolo che resti impigliato.

10. Non trasportare l'utensile mediante il dispositivo di fissaggio o il cordino.
11. Passare l'utensile da una mano all'altra solo quando si è correttamente bilanciati.
12. Non fissare i cordini all'utensile in un modo che impedisca il corretto funzionamento di protezioni, interruttori o dispositivi di blocco.
13. Evitare di restare impigliati nel cordino.
14. Tenere il cordino lontano dall'area di taglio dell'utensile.
15. Utilizzare moschettoni ad azionamento multiplo o con leva dotata di ghiera a vite. Non utilizzare moschettoni a scatto con clip a molla.
16. Nel caso che l'utensile venga fatto cadere, deve essere etichettato e rimosso dal servizio, e dovrebbe venire sottoposto a ispezione presso una fabbrica Makita o un centro di assistenza autorizzato Makita.

► Fig.34: 1. Foro per il cordino (cinghia di sicurezza)

## FUNZIONE DI ATTIVAZIONE DELLA COMUNICAZIONE SENZA FILI

Solo per il modello DHS783

### Cosa si può fare con la funzione di attivazione della comunicazione senza fili

La funzione di attivazione della comunicazione senza fili consente un funzionamento pulito e comodo. Collegando un aspirapolvere supportato all'utensile, è possibile far funzionare automaticamente l'aspirapolvere insieme all'attivazione dell'interruttore dell'utensile.  
► Fig.35

Per utilizzare la funzione di attivazione della comunicazione senza fili, preparare gli elementi seguenti:

- Un'unità senza fili (accessorio opzionale)
- Un aspirapolvere che supporti la funzione di attivazione della comunicazione senza fili

L'impostazione della funzione di attivazione della comunicazione senza fili è riepilogata di seguito. Per le procedure dettagliate, consultare ciascuna sezione.

1. Installazione dell'unità senza fili
2. Registrazione dell'utensile per l'aspirapolvere
3. Avvio della funzione di attivazione della comunicazione senza fili

## Installazione dell'unità senza fili

### Accessorio opzionale

**ATTENZIONE:** Posizionare l'utensile su una superficie piana e stabile, quando si intende installare l'unità senza fili.

**AVVISO:** Pulire la polvere e lo sporco sull'utensile prima di installare l'unità senza fili. La polvere o lo sporco potrebbero causare un malfunzionamento, qualora penetrino nell'alloggiamento dell'unità senza fili.

**AVVISO:** Per evitare il malfunzionamento causato dall'elettricità statica, toccare un materiale per scaricarla, ad esempio una parte metallica dell'utensile, prima di prendere in mano l'unità senza fili.

**AVVISO:** Quando si installa l'unità senza fili, accertarsi sempre che quest'ultima sia inserita nella direzione corretta e che il coperchio sia completamente chiuso.

1. Aprire il coperchio sull'utensile come indicato nella figura.

► Fig.36: 1. Coperchio

2. Inserire l'unità senza fili nell'alloggiamento, quindi chiudere il coperchio.

Quando si inserisce l'unità senza fili, allineare le sporgenze con le rientranze presenti nell'alloggiamento.

► Fig.37: 1. Unità senza fili 2. Sporgenza 3. Coperchio 4. Rientranza

Quando si intende rimuovere l'unità senza fili, aprire lentamente il coperchio. I ganci sul retro del coperchio sollevano l'unità senza fili mentre si tira su il coperchio.

► Fig.38: 1. Unità senza fili 2. Gancio 3. Coperchio

Dopo aver rimosso l'unità senza fili, conservarla nella custodia in dotazione o in un contenitore antistatico.

**AVVISO:** Utilizzare sempre i ganci sul retro del coperchio quando si intende rimuovere l'unità senza fili. Qualora i ganci non si inseriscano nell'unità senza fili, chiudere completamente il coperchio e riaprirlo lentamente.

## Registrazione dell'utensile per l'aspirapolvere

**NOTA:** È richiesto un aspirapolvere Makita che supporti la funzione di attivazione della comunicazione senza fili per la registrazione dell'utensile.

**NOTA:** Completare l'installazione dell'unità senza fili nello strumento prima di avviare la registrazione dell'utensile.

**NOTA:** Durante la registrazione dell'utensile, non premere l'interruttore a grilletto né attivare l'interruttore di accensione sull'aspirapolvere.

**NOTA:** Fare riferimento anche al manuale d'uso dell'aspirapolvere.

Se si desidera attivare l'aspirapolvere insieme all'attivazione dell'interruttore dell'utensile, completare anticipatamente la registrazione dell'utensile.

1. Installare le batterie nell'aspirapolvere e nell'utensile.
2. Impostare il commutatore di standby sull'aspirapolvere su "AUTO".  
► **Fig.39:** 1. Commutatore di standby
3. Premere il pulsante di attivazione della comunicazione senza fili sull'aspirapolvere per 3 secondi, fino a quando l'indicatore luminoso di attivazione della comunicazione senza fili lampeggia in verde. Quindi, premere il pulsante di attivazione della comunicazione senza fili sull'utensile in modo analogo.

► **Fig.40:** 1. Pulsante di attivazione della comunicazione senza fili 2. Indicatore luminoso di attivazione della comunicazione senza fili

Se l'aspirapolvere e l'utensile sono collegati con esito positivo, gli indicatori luminosi di attivazione della comunicazione senza fili si illuminano in verde per 2 secondi, quindi iniziano a lampeggiare in blu.

**NOTA:** Gli indicatori luminosi di attivazione della comunicazione senza fili smettono di lampeggiare in verde dopo 20 secondi. Premere il pulsante di attivazione della comunicazione senza fili sull'utensile mentre l'indicatore luminoso di attivazione della comunicazione senza fili sull'aspiratore sta lampeggiando. Qualora l'indicatore luminoso di attivazione della comunicazione senza fili non lampeggia in verde, premere brevemente e tenere premuto di nuovo il pulsante di attivazione della comunicazione senza fili.

**NOTA:** Quando si intende effettuare due o più registrazioni di utensili per un unico aspirapolvere, completare la registrazione degli utensili uno alla volta.

## Avvio della funzione di attivazione della comunicazione senza fili

**NOTA:** Completare la registrazione dell'utensile per l'aspirapolvere prima dell'attivazione della comunicazione senza fili.

**NOTA:** Fare riferimento anche al manuale d'uso dell'aspirapolvere.

Dopo aver registrato un utensile sull'aspirapolvere, quest'ultimo entra in funzione automaticamente insieme all'attivazione dell'interruttore dell'utensile.

1. Installare l'unità senza fili sull'utensile.
2. Collegare il tubo flessibile dell'aspirapolvere all'utensile.  
► **Fig.41**
3. Impostare il commutatore di standby sull'aspirapolvere su "AUTO".  
► **Fig.42:** 1. Commutatore di standby

4. Premere brevemente il pulsante di attivazione della comunicazione senza fili sull'utensile. L'indicatore luminoso di attivazione della comunicazione senza fili lampeggia in blu.

► **Fig.43:** 1. Pulsante di attivazione della comunicazione senza fili 2. Indicatore luminoso di attivazione della comunicazione senza fili

5. Premere l'interruttore a grilletto dell'utensile. Controllare se l'aspirapolvere entra in funzione mentre si preme l'interruttore a grilletto.

Per interrompere l'attivazione della comunicazione senza fili dell'aspirapolvere, premere il pulsante di attivazione della comunicazione senza fili sull'utensile.

**NOTA:** L'indicatore luminoso di attivazione della comunicazione senza fili sull'utensile smette di lampeggiare in blu quando non viene effettuata alcuna operazione per 2 ore. In questo caso, impostare il commutatore di standby sull'aspirapolvere su "AUTO" e premere di nuovo il pulsante di attivazione della comunicazione senza fili sull'utensile.

**NOTA:** L'aspirapolvere si avvia o si arresta con un ritardo. Si verifica un ritardo temporale quando l'aspirapolvere rileva un'attivazione dell'interruttore sull'utensile.

**NOTA:** La distanza di trasmissione dell'unità senza fili può variare a seconda dell'ubicazione e della situazione circostante.










**NOTA:** Quando due o più utensili sono registrati su un unico aspirapolvere, quest'ultimo potrebbe iniziare a funzionare anche se non si preme l'interruttore a grilletto, a causa di un altro utente che sta utilizzando la funzione di attivazione della comunicazione senza fili.



## Descrizione dello stato dell'indicatore luminoso di attivazione della comunicazione senza fili

► **Fig.44:** 1. Indicatore luminoso di attivazione della comunicazione senza fili

L'indicatore luminoso di attivazione della comunicazione senza fili mostra lo stato della funzione di attivazione della comunicazione senza fili. Per informazioni sul significato dello stato dell'indicatore luminoso, fare riferimento alla tabella seguente.

Stato	Indicatore luminoso di attivazione della comunicazione senza fili			Descrizione	
	Colore	 Acceso	 Lampeggiante		Durata
Standby	Blu			2 ore	È disponibile l'attivazione della funzione di comunicazione senza fili dell'aspirapolvere. L'indicatore luminoso si spegne automaticamente quando non viene eseguita alcuna operazione per 2 ore.
				Quando l'utensile è in funzione.	È disponibile l'attivazione della funzione di comunicazione senza fili dell'aspirapolvere e l'utensile è in funzione.
Registrazione dell'utensile	Verde			20 secondi	Pronto alla registrazione dell'utensile. In attesa della registrazione da parte dell'aspirapolvere.
				2 secondi	La registrazione dell'utensile è stata completata. L'indicatore luminoso di attivazione della comunicazione senza fili inizia a lampeggiare in blu.
Annullamento della registrazione dell'utensile	Rosso			20 secondi	Pronto alla cancellazione della registrazione dell'utensile. In attesa della cancellazione da parte dell'aspirapolvere.
				2 secondi	La cancellazione della registrazione dell'utensile è stata completata. L'indicatore luminoso di attivazione della comunicazione senza fili inizia a lampeggiare in blu.
Altro	Rosso			3 secondi	L'alimentazione è fornita all'unità senza fili e la funzione di attivazione della comunicazione senza fili si sta avviando.
	Spento	-		-	L'attivazione della funzione di comunicazione senza fili dell'aspirapolvere è stata arrestata.

### Annullamento della registrazione dell'utensile per l'aspirapolvere

Quando si intende annullare la registrazione dell'utensile per l'aspirapolvere, attenersi alla procedura seguente.

1. Installare le batterie nell'aspirapolvere e nell'utensile.
2. Impostare il commutatore di standby sull'aspirapolvere su "AUTO".

► **Fig.45:** 1. Commutatore di standby

3. Premere il pulsante di attivazione della comunicazione senza fili sull'aspirapolvere per 6 secondi. L'indicatore luminoso di attivazione della comunicazione senza fili lampeggia in verde, quindi diventa rosso. Dopodiché, premere il pulsante di attivazione della comunicazione senza fili sull'utensile in modo analogo.

► **Fig.46:** 1. Pulsante di attivazione della comunicazione senza fili 2. Indicatore luminoso di attivazione della comunicazione senza fili

Se l'annullamento è stato eseguito con esito positivo, gli indicatori luminosi di attivazione della comunicazione senza fili si illuminano in rosso per 2 secondi, quindi iniziano a lampeggiare in blu.

**NOTA:** Gli indicatori luminosi di attivazione della comunicazione senza fili smettono di lampeggiare in rosso dopo 20 secondi. Premere il pulsante di attivazione della comunicazione senza fili sull'utensile mentre l'indicatore luminoso di attivazione della comunicazione senza fili sull'aspiratore sta lampeggiando. Qualora l'indicatore luminoso di attivazione della comunicazione senza fili non lampeggi in rosso, premere brevemente e tenere premuto di nuovo il pulsante di attivazione della comunicazione senza fili.

## Risoluzione dei problemi per la funzione di attivazione della comunicazione senza fili

Prima di richiedere riparazioni, eseguire un'ispezione personalmente. Qualora si rilevi un problema che non è illustrato nel manuale, non tentare di smontare l'utensile. Rivolgersi, invece, a un centro di assistenza autorizzato Makita, utilizzando sempre pezzi di ricambio Makita per le riparazioni.

Stato di anomalia	Causa probabile (guasto)	Azione correttiva
L'indicatore luminoso di attivazione della comunicazione senza fili non si illumina o non lampeggia.	L'unità senza fili non è installata nell'utensile. L'unità senza fili è installata in modo errato nell'utensile.	Installare l'unità senza fili correttamente.
	Il terminale dell'unità senza fili e/o l'alloggiamento sono sporchi.	Asportare delicatamente polvere e sporco presenti sul terminale dell'unità senza fili e pulire l'alloggiamento.
	Il pulsante di attivazione della comunicazione senza fili sull'utensile non è stato premuto.	Premere brevemente il pulsante di attivazione della comunicazione senza fili sull'utensile.
	Il commutatore di standby sull'aspirapolvere non è impostato su "AUTO".	Impostare il commutatore di standby sull'aspirapolvere su "AUTO".
	Alimentazione assente	Fornire l'alimentazione all'utensile e all'aspirapolvere.
Impossibile completare con esito positivo la registrazione dell'utensile o l'annullamento della registrazione dell'utensile.	L'unità senza fili non è installata nell'utensile. L'unità senza fili è installata in modo errato nell'utensile.	Installare l'unità senza fili correttamente.
	Il terminale dell'unità senza fili e/o l'alloggiamento sono sporchi.	Asportare delicatamente polvere e sporco presenti sul terminale dell'unità senza fili e pulire l'alloggiamento.
	Il commutatore di standby sull'aspirapolvere non è impostato su "AUTO".	Impostare il commutatore di standby sull'aspirapolvere su "AUTO".
	Alimentazione assente	Fornire l'alimentazione all'utensile e all'aspirapolvere.
	Funzionamento errato	Premere brevemente il pulsante di attivazione della comunicazione senza fili ed eseguire di nuovo la procedura di registrazione o di annullamento dell'utensile.
	L'utensile e l'aspirapolvere sono lontani l'uno dall'altro (fuori dalla portata di trasmissione).	Avvicinare l'utensile e l'aspirapolvere tra di loro. La distanza massima di trasmissione è di circa 10 m, ma può variare in base alle circostanze.
	Prima di completare la registrazione o l'annullamento dell'utensile: - l'interruttore a grilletto sull'utensile è premuto, oppure; - il pulsante di accensione sull'aspirapolvere è attivato.	Premere brevemente il pulsante di attivazione della comunicazione senza fili ed eseguire di nuovo la procedura di registrazione o di annullamento dell'utensile.
	Le procedure di registrazione per l'utensile o per l'aspirapolvere non sono state completate.	Eseguire le procedure di registrazione dell'utensile sia per l'utensile che per l'aspirapolvere allo stesso tempo.
Sono presenti disturbi radio dovuti ad altri apparecchi che generano onde radio ad alta intensità.	Tenere l'utensile e l'aspirapolvere lontani da apparecchi quali dispositivi Wi-Fi e forni a microonde.	

Stato di anomalia	Causa probabile (guasto)	Azione correttiva
L'aspirapolvere non entra in funzione insieme all'attivazione dell'interruttore dell'utensile.	L'unità senza fili non è installata nell'utensile. L'unità senza fili è installata in modo errato nell'utensile.	Installare l'unità senza fili correttamente.
	Il terminale dell'unità senza fili e/o l'alloggiamento sono sporchi.	Asportare delicatamente polvere e sporco presenti sul terminale dell'unità senza fili e pulire l'alloggiamento.
	Il pulsante di attivazione della comunicazione senza fili sull'utensile non è stato premuto.	Premere brevemente il pulsante di attivazione della comunicazione senza fili e accertarsi che l'indicatore luminoso di attivazione della comunicazione senza fili stia lampeggiando in blu.
	Il commutatore di standby sull'aspirapolvere non è impostato su "AUTO".	Impostare il commutatore di standby sull'aspirapolvere su "AUTO".
	Sull'aspirapolvere sono registrati più di 10 utensili.	Effettuare di nuovo la registrazione dell'utensile. Qualora sull'aspirapolvere siano registrati più di 10 utensili, l'utensile registrato per primo viene annullato automaticamente.
	L'aspirapolvere ha cancellato tutte le registrazioni degli utensili.	Effettuare di nuovo la registrazione dell'utensile.
	Alimentazione assente	Fornire l'alimentazione all'utensile e all'aspirapolvere.
	L'utensile e l'aspirapolvere sono lontani l'uno dall'altro (fuori dalla portata di trasmissione).	Avvicinare l'utensile e l'aspirapolvere tra di loro. La distanza massima di trasmissione è di circa 10 m, ma può variare in base alle circostanze.
Sono presenti disturbi radio dovuti ad altri apparecchi che generano onde radio ad alta intensità.	Tenere l'utensile e l'aspirapolvere lontani da apparecchi quali dispositivi Wi-Fi e forni a microonde.	
L'aspirapolvere entra in funzione mentre l'interruttore a grilletto dell'utensile non è premuto.	Altri utenti stanno utilizzando l'attivazione della comunicazione senza fili dell'aspirapolvere con i loro utensili.	Disattivare il pulsante di attivazione della comunicazione senza fili degli altri utensili oppure annullare la registrazione degli altri utensili.

## MANUTENZIONE

**⚠ATTENZIONE:** Accertarsi sempre che l'utensile sia spento e che la cartuccia della batteria sia stata rimossa prima di tentare di eseguire interventi di ispezione o manutenzione.

**⚠ATTENZIONE:** Pulire le protezioni superiore e inferiore per assicurare che non sia presente segatura accumulata che potrebbe impedire il funzionamento del sistema di protezione inferiore. Un sistema di protezione sporco potrebbe limitare il funzionamento corretto, il che potrebbe risultare in gravi lesioni personali. Il modo più efficace per ottenere tale pulizia è l'uso di aria compressa. **Qualora la polvere venga soffiata al di fuori dalle protezioni, accertarsi di utilizzare protezioni appropriate per occhi e respirazione.**

**⚠ATTENZIONE:** Dopo l'uso, pulire la segatura presente sull'utensile. Le polveri sottili di segatura potrebbero penetrare all'interno dell'utensile e causare un malfunzionamento o un incendio.

**AVVISO:** Non utilizzare mai benzina, benzene, solventi, alcol o altre sostanze simili. In caso contrario, si potrebbero causare scolorimenti, deformazioni o crepe.

Per preservare la SICUREZZA e l'AFFIDABILITÀ del prodotto, le riparazioni e qualsiasi altro intervento di manutenzione e di regolazione devono essere eseguiti da un centro di assistenza autorizzato Makita, utilizzando sempre ricambi Makita.

## Regolazione della precisione di taglio a 0° o a 45°

Questa regolazione è stata effettuata in fabbrica. Tuttavia, qualora non sia corretta, è possibile regolare la precisione di taglio seguendo la procedura seguente.

1. Allentare le viti di fissaggio sulla parte anteriore e su quella posteriore dell'utensile, in modo che sia possibile modificare l'angolo di taglio a unghia. Impostare il fermo sulla posizione di taglio a unghia con angolazione tra 0° e 45°, se si intende regolare la precisione del taglio a 45°.

► **Fig.47:** 1. Fermo

2. Rendere la base perpendicolare o a 45° rispetto alla lama per sega circolare utilizzando un righello triangolare, ruotando la vite di regolazione con una chiave esagonale. È anche possibile utilizzare una squadra per falegnami, per regolare l'angolo a 0°.

► **Fig.48:** 1. Righello triangolare

► **Fig.49:** 1. Vite di regolazione per l'angolo a 0°  
2. Vite di regolazione per l'angolo a 45°

3. Serrare le viti di fissaggio, quindi eseguire un taglio di prova per controllare se l'angolazione desiderata sia stata ottenuta.

## Regolazione del parallelismo

**⚠ATTENZIONE:** Mantenere accurato il parallelismo. In caso contrario, la lama per sega circolare potrebbe "addentare" il binario guida, e il binario guida danneggiato potrebbe causare lesioni personali.

Questa regolazione è stata effettuata in fabbrica. Tuttavia, qualora non sia corretta, è possibile regolarla attenendosi alla procedura seguente.

1. Impostare l'utensile sulla profondità massima di taglio.
2. Accertarsi che tutte le leve e le viti siano serrate.
3. Allentare le viti indicate nella figura.
4. Tenendo aperta la protezione inferiore, spostare il retro della base in modo che le distanze A e B diventino uguali.

► Fig.50: 1. Vite 2. Base

5. Serrare le viti ed effettuare un taglio di prova per controllare il parallelismo.

## ACCESSORI OPZIONALI

**⚠ATTENZIONE:** Questi accessori o componenti aggiuntivi sono consigliati per l'uso con l'utensile Makita specificato nel presente manuale. L'impiego di altri accessori o componenti aggiuntivi può costituire un rischio di lesioni alle persone. Utilizzare gli accessori o i componenti aggiuntivi solo per il loro scopo prefissato.

Per ottenere ulteriori dettagli relativamente a questi accessori, rivolgersi a un centro di assistenza Makita.

- Lama per sega circolare
- Guida di taglio (righello guida)
- Gancio
- Binario guida
- Guida di taglio a unghia
- Morsa
- Foglio
- Foglio di gomma
- Foglio di posizionamento
- Bocchetta per le polveri
- Chiave esagonale
- Unità senza fili (per il modello DHS783)
- Batteria e caricabatterie originali Makita

**NOTA:** Alcuni articoli nell'elenco potrebbero essere inclusi nell'imballaggio dell'utensile come accessori standard. Tali articoli potrebbero variare da nazione a nazione.

## NEDERLANDS (Originele instructies)

### TECHNISCHE GEGEVENS

Model:	DHS782	DHS783
Zaagbladdiameter	185 - 190 mm	
Max. zaagdiepte	bij 0°	60,0 - 62,5 mm
	bij 45° verstek	43,0 - 44,5 mm
	bij 48° verstek	41,0 - 42,0 mm
Nullasttoerental	6.000 min <sup>-1</sup>	
Totale lengte	348 mm	
Nominale spanning	36 V gelijkspanning	
Nettogewicht	4,5 - 5,1 kg	

- In verband met ononderbroken research en ontwikkeling, behouden wij ons het recht voor de bovenstaande technische gegevens zonder voorafgaande kennisgeving te wijzigen.
- De technische gegevens van de accu kunnen van land tot land verschillen.
- Het gewicht kan verschillen afhankelijk van de hulpstukken, waaronder de accu. De lichtste en zwaarste combinatie, overeenkomstig de EPTA-procedure 01/2014, worden getoond in de tabel.

#### Toepasselijke accu's en laders

Accu	BL1815N / BL1820 / BL1820B / BL1830 / BL1830B / BL1840 / BL1840B / BL1850 / BL1850B / BL1860B
Lader	DC18RC / DC18RD / DC18RE / DC18SD / DC18SE / DC18SF

- Sommige van de hierboven vermelde accu's en laders zijn mogelijk niet leverbaar afhankelijk van waar u woont.

**⚠ WAARSCHUWING:** Gebruik uitsluitend de accu's en laders die hierboven worden genoemd. Gebruik van enige andere accu of lader kan leiden tot letsel en/of brand.

#### Gebruiksdoeleinden

Het gereedschap is bedoeld voor het rechtzagen in lengterichting en in dwarsrichting en voor het verstekzagen van hoeken in hout terwijl het gereedschap stevig tegen het werkstuk wordt gehouden. Met geschikte, originele Makita-zaagbladen kunnen ook andere materialen worden gezaagd.

#### Geluidsniveau

De typische, A-gewogen geluidsniveaus zijn gemeten volgens EN62841-2-5:

##### Model DHS782

Geluidsdrukniveau ( $L_{pA}$ ): 93 dB (A)  
Geluidsvermogeniveau ( $L_{WA}$ ): 104 dB (A)  
Onzekerheid (K): 3 dB (A)

##### Model DHS783

Geluidsdrukniveau ( $L_{pA}$ ): 93 dB (A)  
Geluidsvermogeniveau ( $L_{WA}$ ): 104 dB (A)  
Onzekerheid (K): 3 dB (A)

**OPMERKING:** De opgegeven geluidsemissiewaarde(n) is/zijn gemeten volgens een standaardtestmethode en kan/kunnen worden gebruikt om dit gereedschap te vergelijken met andere gereedschappen.

**OPMERKING:** De opgegeven geluidsemissiewaarde(n) kan/kunnen ook worden gebruikt voor een beoordeling vooraf van de blootstelling.

**⚠ WAARSCHUWING:** Draag gehoorbescherming.

**⚠ WAARSCHUWING:** De geluidsemissie tijdens het gebruik van het elektrisch gereedschap in de praktijk kan verschillen van de opgegeven waarde(n) afhankelijk van de manier waarop het gereedschap wordt gebruikt, met name van het soort werkstuk waarmee wordt gewerkt.

**⚠ WAARSCHUWING:** Zorg ervoor dat veiligheidsmaatregelen worden getroffen ter bescherming van de gebruiker die zijn gebaseerd op een schatting van de blootstelling onder praktijkomstandigheden (rekening houdend met alle fasen van de bedrijfscyclus, zoals de tijdsduur gedurende welke het gereedschap is uitgeschakeld en stationair draait, naast de ingeschakelde tijdsduur).

#### Trilling

De totale trillingswaarde (triaxiale vectorsom) zoals vastgesteld volgens EN62841-2-5:

##### Model DHS782

Gebruikstoepassing: zagen van hout  
Trillingsemissie ( $a_{h,W}$ ): 2,5 m/s<sup>2</sup> of lager  
Onzekerheid (K): 1,5 m/s<sup>2</sup>

Gebruikstoepassing: zagen van metaal  
Trillingsemissie ( $a_{h,M}$ ): 2,5 m/s<sup>2</sup> of lager  
Onzekerheid (K): 1,5 m/s<sup>2</sup>

### Model DHS783

Gebruikstoepassing: zagen van hout

Trillingsemissie ( $a_{h,w}$ ): 2,5 m/s<sup>2</sup> of lager

Onzekerheid (K): 1,5 m/s<sup>2</sup>

Gebruikstoepassing: zagen van metaal

Trillingsemissie ( $a_{h,m}$ ): 2,5 m/s<sup>2</sup> of lager

Onzekerheid (K): 1,5 m/s<sup>2</sup>

**OPMERKING:** De totale trillingswaarde(n) is/zijn gemeten volgens een standaardtestmethode en kan/kunnen worden gebruikt om dit gereedschap te vergelijken met andere gereedschappen.

**OPMERKING:** De opgegeven totale trillingswaarde(n) kan/kunnen ook worden gebruikt voor een beoordeling vooraf van de blootstelling.

**⚠WAARSCHUWING:** De trillingsemissie tijdens het gebruik van het elektrisch gereedschap in de praktijk kan verschillen van de opgegeven waarde(n) afhankelijk van de manier waarop het gereedschap wordt gebruikt, met name van het soort werkstuk waarmee wordt gewerkt.

**⚠WAARSCHUWING:** Zorg ervoor dat veiligheidsmaatregelen worden getroffen ter bescherming van de gebruiker die zijn gebaseerd op een schatting van de blootstelling onder praktijkomstandigheden (rekening houdend met alle fasen van de bedrijfscyclus, zoals de tijdsduur gedurende welke het gereedschap is uitgeschakeld en stationair draait, naast de ingeschakelde tijdsduur).

### EG-verklaring van conformiteit

#### Alleen voor Europese landen

De EG-verklaring van conformiteit is bijgevoegd als Bijlage A bij deze gebruiksaanwijzing.

## VEILIGHEIDSWAARSCHUWINGEN

### Algemene veiligheidswaarschuwingen voor elektrisch gereedschap

**⚠WAARSCHUWING:** Lees alle veiligheidswaarschuwingen, aanwijzingen, afbeeldingen en technische gegevens behorend bij dit elektrische gereedschap aandachtig door. Als u niet alle onderstaande aanwijzingen naleeft, kan dat resulteren in brand, elektrische schokken en/of ernstig letsel.

### Bewaar alle waarschuwingen en instructies om in de toekomst te kunnen raadplegen.

De term "elektrisch gereedschap" in de veiligheidsvoorschriften duidt op gereedschappen die op stroom van het lichtnet werken (met snoer) of gereedschappen met een accu (snoerloos).

## Veiligheidswaarschuwingen voor een accucirkelzaag

### Werkwijze bij het zagen

1. **⚠GEVAAR:** Houd uw handen uit de buurt van het zaaggebied en het zaagblad. Houd met uw andere hand de voorhandgreep of de behuizing van het gereedschap vast. Als u de zaag met beide handen vasthoudt, kunt u nooit in uw handen zagen.
  2. **Reik nooit met uw handen onder het werkstuk.** De beschermkap kan u niet beschermen tegen het zaagblad onder het werkstuk.
  3. **Stel de zaagdiepte in overeenkomstig de dikte van het werkstuk.** Minder dan een volledige tandhoogte dient onder het werkstuk uit te komen.
  4. **Houd tijdens het zagen het werkstuk nooit vast met uw handen of benen. Zorg dat het werkstuk stabiel is ten opzichte van de ondergrond.** Het is belangrijk het werkstuk goed te ondersteunen om de kans te minimaliseren dat uw lichaam eraan blootgesteld wordt, het zaagblad vastloopt of u de controle over het gereedschap verliest.
- Fig.1
5. **Houd het elektrisch gereedschap vast aan het geïsoleerde oppervlak van de handgrepen wanneer u werkt op plaatsen waar het snijgar-nituur met verborgen bedrading in aanraking kan komen.** Door contact met onder spanning staande draden, zullen ook de niet-geïsoleerde metalen delen van het elektrisch gereedschap onder spanning komen te staan zodat de gebruiker een elektrische schok kan krijgen.
  6. **Gebruik bij het schulpen altijd de breedtegeleider of de langseleider.** Hierdoor wordt de nauwkeurigheid van het zagen vergroot en de kans op vastlopen van het zaagblad verkleind.
  7. **Gebruik altijd zaagbladen met een middengat van de juiste afmetingen en vorm (diamant versus rond).** Zaagbladen die niet goed passen op de bevestigingsmiddelen van de zaag, zullen uit-het-midden draaien waardoor u de controle over het gereedschap verliest.
  8. **Gebruik nooit een beschadigde of verkeerde bouten en ringen om het zaagblad te bevestigen.** De bouten en ringen voor de bevestiging van het zaagblad zijn speciaal ontworpen voor gebruik met uw zaag voor optimale prestaties en veilig gebruik.

### Oorzaken van terugslag en aanverwante waarschuwingen

- Terugslag is een plotselinge reactie op een bekneld, vastgelopen of niet-uitgelijnd zaagblad, waardoor de oncontroleerbare zaag omhoog, uit het werkstuk en in de richting van de gebruiker gaat.
- Wanneer het zaagblad bekneld raakt of vastloopt doordat de zaagsnede naar beneden toe smaller wordt, komt het zaagblad tot stilstand en komt als reactie de motor snel omhoog in de richting van de gebruiker.
- Als het zaagblad gebogen of niet-uitgelijnd raakt in de zaagsnede, kunnen de tanden aan de achterrand van het zaagblad zich in het bovenoppervlak van het hout vreten, waardoor het zaagblad uit de zaagsnede klimt en omhoog springt in de richting van de gebruiker.

Terugslag is het gevolg van misgebruik van de zaag en/of onjuiste gebruiksprocedures of -omstandigheden, en kan worden voorkomen door goede voorzorgsmaatregelen te treffen, zoals hieronder vermeld.

1. **Houd de zaag stevig vast met beide handen en houd uw armen zodanig dat een terugslag wordt opgevangen. Plaats uw lichaam zijwaarts versprongen van het zaagblad en niet in een rechte lijn erachter.** Door terugslag kan de zaag achterwaarts springen, maar de kracht van de terugslag kan met de juiste voorzorgsmaatregelen door de gebruiker worden opgevangen.
2. **Wanneer het zaagblad vastloopt, of wanneer u om een of andere reden het zagen onderbreekt, laat u de aan-uitschakelaar los en houdt u de zaag stil in het materiaal totdat het zaagblad volledig tot stilstand is gekomen. Probeer nooit de zaag uit het werkstuk te halen of de zaag naar achteren te trekken, terwijl het zaagblad nog draait omdat hierdoor een terugslag kan optreden.** Onderzoek waarom het zaagblad is vastgelopen en tref afdoende maatregelen om de oorzaak ervan op te heffen.
3. **Wanneer u de zaag weer inschakelt terwijl het zaagblad in het werkstuk zit, plaatst u het zaagblad in het midden van de zaagsnede zodat de tanden niet in het materiaal grijpen.** Als het zaagblad is vastgelopen, kan wanneer de zaag wordt ingeschakeld het zaagblad uit het werkstuk lopen of terugslaan.
4. **Ondersteun grote platen om de kans te minimaliseren dat het zaagblad bekneld raakt of terugslaat.** Grote platen neigen door te zakken onder hun eigen gewicht. U moet de plaat ondersteunen aan beide zijden, vlakbij de zaaglijn en vlakbij de rand van de plaat.

► Fig.2

► Fig.3

5. **Gebruik een bot of beschadigd zaagblad niet meer.** Niet-geslepen of verkeerd gezette tanden maken een smalle zaagsnede wat leidt tot grote wrijving, vastlopen en terugslag.
6. **De vergrendelhendels voor het instellen van de zaagbladdiepte en verstekhoek moeten vastgezet zijn alvorens te beginnen met zagen.** Als de afstellingen van het zaagblad tijdens het zagen verlopen, kan dit leiden tot vastlopen of terugslag.
7. **Wees extra voorzichtig wanneer u een invalzaagsnede maakt in een bestaande wand of een andere plaats waarvan u de onderkant niet kunt zien.** Het zaagblad zou een hard voorwerp kunnen raken, met als gevolg een gevaarlijke terugslag.
8. **Houd het gereedschap ALTIJD met beide handen stevig vast. Plaats NOOIT een hand, been of een ander lichaamsdeel onder zoolplaat of achter de zaag, speciaal bij het afkorten.** Als een terugslag optreedt, kan de zaag gemakkelijk achteruit en over uw hand springen waardoor ernstig persoonlijk letsel ontstaat.

► Fig.4

9. **Dwing de zaag nooit. Duw de zaag vooruit met een snelheid waarbij het zaagblad niet vertraagt.** Als u de zaag dwingt, kan dat leiden tot een ongelijkmatige zaagsnede, verminderde nauwkeurigheid en mogelijke terugslag.

#### Functie van de beschermkap

1. **Controleer voor ieder gebruik of de onderste beschermkap goed sluit. Gebruik de zaag niet als de onderste beschermkap niet vrij kan bewegen en onmiddellijk sluit. Zet de onderste beschermkap nooit vast in de geopende stand.** Als u de zaag per ongeluk laat vallen, kan de onderste beschermkap worden verbogen. Til de onderste beschermkap op aan de terugtrekhandel en controleer dat deze vrij kan bewegen en niet het zaagblad of enig ander onderdeel raakt, onder alle verstekhoeken en op alle zaagdiepten.
2. **Controleer de werking van de veer van de onderste beschermkap. Als de beschermkap en de veer niet goed werken, dienen deze vóór gebruik te worden gerepareerd.** De onderste beschermkap kan traag werken als gevolg van beschadigde onderdelen, gom- of harsafzetting, of opeenhoping van vuil.
3. **De onderste beschermkap mag alleen met de hand worden geopend voor het maken van speciale zaagsneden, zoals een invalzaagsnede en gecombineerde zaagsnede. Til de onderste beschermkap op aan de terugtrekhandel en laat deze los zodra het zaagblad in het materiaal zaagt.** Bij alle andere typen zaagsneden, dient de onderste beschermkap automatisch te werken.
4. **Let er altijd op dat de onderste beschermkap het zaagblad bedekt voordat u de zaag op een werkbank of vloer neerlegt.** Een onbeschermd zaagblad dat nog nadraait, zal de zaag achteruit doen lopen waarbij alles op zijn weg wordt gezaagd. Denk aan de tijd die het duurt nadat de schakelaar is losgelaten voordat het zaagblad stilstaat.
5. **U kunt de onderste beschermkap controleren, door deze met de hand te openen, los te laten en te kijken of hij goed sluit. Controleer tevens of de terugtrekhandel de behuizing van het gereedschap niet raakt.** Het zaagblad onbeschermd laten is UITERST GEVAARLIJK en kan leiden tot ernstig persoonlijk letsel.

#### Aanvullende veiligheidsvoorschriften

1. **Wees extra voorzichtig bij het zagen in nat hout, druk-behandeld timmerhout en hout met knoesten.** Zorg dat het gereedschap steeds soepel vooruit beweegt zonder dat de snelheid van het zaagblad lager wordt, om oververhitting van de zaagtanden te voorkomen.
2. **Probeer niet afgezaagd materiaal te verwijderen terwijl het zaagblad nog draait. Wacht totdat het zaagblad volledig tot stilstand is gekomen voordat u het afgezaagde materiaal vastpakt.** Het zaagblad draait nog na nadat het gereedschap is uitgeschakeld.
3. **Voorkom dat u in spijkers zaagt. Inspecteer het hout op spijkers en verwijder deze zo nodig voordat u begint te zagen.**
4. **Plaats het bredere deel van de zool van de zaag op het deel van het werkstuk dat goed is ondersteund, en niet op het deel dat omlaag valt nadat de zaagsnede gemaakt is. Als het werkstuk kort of smal is, klemt u het vast. PROBEER NOOIT EEN KORT WERKSTUK IN UW HANDEN VAST TE HOUDEN!**

► Fig.5

5. Voordat u het gereedschap neerlegt na het voltooien van een zaagsnede, controleert u dat de beschermkap gesloten is en het zaagblad volledig tot stilstand is gekomen.
6. Probeer nooit te zagen waarbij de zaag ondersteboven in een bankschroef is geklemd. Dit is uiterst gevaarlijk en kan leiden tot ernstig persoonlijk letsel.

► Fig.6

7. Sommige materialen bevatten chemische stoffen die giftig kunnen zijn. Neem voorzorgsmaatregelen tegen het inademen van stof en contact met de huid. Volg de veiligheidsinstructies van de leverancier van het materiaal op.
8. Breng het zaagblad niet tot stilstand door zijdelings op het zaagblad te drukken.
9. Gebruik geen slijpschijven.
10. Gebruik uitsluitend een zaagblad met een diameter die is aangegeven op het gereedschap of vermeld in de gebruiksaanwijzing. Het gebruik van een zaagblad met een verkeerde afmeting kan de goede bescherming van het zaagblad of de werking van de beschermkap negatief beïnvloeden, waardoor ernstig persoonlijk letsel kan ontstaan.
11. Houd het zaagblad scherp en schoon. Gom of hars dat op het zaagblad is opgedroogd vertraagt het zaagblad en verhoogt de kans op terugslag. Houd het zaagblad schoon door dit eerst van het gereedschap te demonteren en het vervolgens schoon te maken met een reinigingsmiddel voor gom en hars, heet water of kerosine. Gebruik nooit benzine.
12. Draag een stofmasker en gehoorbescherming tijdens gebruik van het gereedschap.
13. Gebruik altijd het zaagblad dat is bedoeld voor zagen in het materiaal waarin u gaat zagen.
14. Gebruik altijd een zaagblad dat is gemarkeerd met een toerental dat gelijk is aan of hoger is dan het toerental dat is aangegeven op het gereedschap.
15. (Alleen voor Europese landen)  
Gebruik altijd een zaagblad dat voldoet aan EN847-1.

## BEWAAR DEZE INSTRUCTIES.

**⚠WAARSCHUWING:** Laat u NIET misleiden door een vals gevoel van comfort en bekendheid met het gereedschap (na veelvuldig gebruik) en neem alle veiligheidsvoorschriften van het betreffende gereedschap altijd strikt in acht. VERKEERD GEBRUIK of het niet naleven van de veiligheidsvoorschriften in deze gebruiksaanwijzing kan leiden tot ernstig persoonlijk letsel.

## Belangrijke veiligheidsinstructies voor een accu

1. Lees alle voorschriften en waarschuwingen op (1) de acculader, (2) de accu, en (3) het product waarvoor de accu wordt gebruikt, alvorens de accu in gebruik te nemen.
2. Neem de accu niet uit elkaar.
3. Als de gebruikstijd van een opgeladen accu aanzienlijk korter is geworden, moet u het gebruik ervan onmiddellijk stopzetten. Voortgezet gebruik kan oververhitting, brandwonden en zelfs een ontploffing veroorzaken.
4. Als elektrolyt in uw ogen is terechtgekomen, spoelt u uw ogen met schoon water en roept u onmiddellijk de hulp van een dokter in. Elektrolyt in de ogen kan blindheid veroorzaken.
5. Voorkom kortsluiting van de accu:
  - (1) Raak de accuklemmen nooit aan met een geleidend materiaal.
  - (2) Bewaar de accu niet in een bak waarin andere metalen voorwerpen zoals spijkers, munten e.d. worden bewaard.
  - (3) Stel de accu niet bloot aan water of regen. Kortsluiting van de accu kan oorzaak zijn van een grote stroomafgifte, oververhitting, brandwonden, en zelfs defecten.
6. Bewaar het gereedschap en de accu niet op plaatsen waar de temperatuur kan oplopen tot 50°C of hoger.
7. Werp de accu nooit in het vuur, ook niet wanneer hij zwaar beschadigd of volledig versleten is. De accu kan ontploffen in het vuur.
8. Wees voorzichtig dat u de accu niet laat vallen en hem niet blootstelt aan schokken of stoten.
9. Gebruik nooit een beschadigde accu.
10. De bijgeleverde lithium-ionbatterijen zijn onderhevig aan de vereisten in de wetgeving omtrent gevaarlijke stoffen. Voor commercieel transport en dergelijke doorden en transporteurs moeten speciale vereisten ten aanzien van verpakking en etikettering worden nageleefd. Als voorbereiding van het artikel dat wordt getransporteerd is het noodzakelijk een expert op het gebied van gevaarlijke stoffen te raadplegen. Houd u tevens aan mogelijk strengere nationale regelgeving. Blootliggende contactpunten moeten worden afgedekt met tape en de accu moet zodanig worden verpakt dat deze niet kan bewegen in de verpakking.
11. Volg bij het weggoien van de accu de plaatselijke voorschriften.
12. Gebruik de accu's uitsluitend met de gereedschappen die door Makita zijn aanbevolen. Als de accu's worden aangebracht in niet-compatibele gereedschappen, kan dat leiden tot brand, buitensporige warmteontwikkeling, een explosie of lekkage van elektrolyt.

## BEWAAR DEZE INSTRUCTIES.



**⚠ LET OP:** Gebruik uitsluitend originele Makita accu's. Het gebruik van niet-originele accu's, of accu's die zijn gewijzigd, kan ertoe leiden dat de accu ontploft en brand, persoonlijk letsel en schade veroorzaakt. Ook vervalt daarmee de garantie van Makita op het gereedschap en de lader van Makita.

## Tips voor een maximale levensduur van de accu

1. Laad de accu op voordat hij volledig ontladen is. Stop het gebruik van het gereedschap en laad de accu op telkens wanneer u vaststelt dat het vermogen van het gereedschap is afgenomen.
2. Laad een volledig opgeladen accu nooit opnieuw op. Te lang opladen verkort de levensduur van de accu.
3. Laad de accu op bij een omgevingstemperatuur tussen 10°C en 40°C. Laat een warme accu afkoelen alvorens hem op te laden.
4. Laad de accu op als u deze gedurende een lange tijd (meer dan zes maanden) niet gaat gebruiken.

## Belangrijke veiligheidsinstructies voor de draadloos-eenheid

1. Haal de draadloos-eenheid niet uit elkaar en knoei er niet aan.
2. Houd de draadloos-eenheid uit de buurt van kinderen. Indien per ongeluk ingeslikt, raadpleegt u onmiddellijk een arts.
3. Gebruik de draadloos-eenheid uitsluitend met Makita-gereedschap.
4. Stel de draadloos-eenheid niet bloot aan regen of natte omstandigheden.
5. Gebruik de draadloos-eenheid niet op plaatsen waar de temperatuur hoger is dan 50 °C.
6. Bedien de draadloos-eenheid niet op plaatsen in de buurt van medische instrumenten, zoals een pacemaker.
7. Bedien de draadloos-eenheid niet op plaatsen in de buurt van geautomatiseerde apparaten. Bij bediening ervan kan in de geautomatiseerde apparaten een storing of fout optreden.
8. Bedien de draadloos-eenheid niet op plaatsen met een hoge temperatuur of op plaatsen waar statische elektriciteit of elektrische ruis kan worden gegenereerd.
9. De draadloos-eenheid kan elektromagnetische velden genereren, maar deze zijn niet schadelijk voor de gebruiker.
10. De draadloos-eenheid is een nauwkeurig instrument. Wees voorzichtig dat u de draadloos-eenheid niet laat vallen of ergens tegenaan stoot.
11. Raak de aansluitpunten van de draadloos-eenheid niet aan met blote handen of metaalachtige materialen.
12. Verwijder altijd de accu uit het apparaat wanneer u de draadloos-eenheid erin aanbrengt.

13. Open de afdekking van de gleuf niet op plaatsen waar stof of vocht in de gleuf kan binnendringen. Houd de ingang van de gleuf altijd schoon.
14. Breng de draadloos-eenheid altijd in de juiste richting aan.
15. Druk niet te hard op de knop voor draadloos inschakelen op de draadloos-eenheid en/of druk niet op de knop met een scherp voorwerp.
16. Sluit altijd de afdekking van de gleuf tijdens gebruik.
17. Verwijder de draadloos-eenheid niet uit de gleuf terwijl voeding wordt geleverd aan het gereedschap. Als u dit doet, kan een storing optreden in de draadloos-eenheid.
18. Verwijder de sticker op de draadloos-eenheid niet.
19. Plak geen stickers op de draadloos-eenheid.
20. Laat de draadloos-eenheid niet liggen op een plaats waar statische elektriciteit of elektrische ruis kan worden gegenereerd.
21. Laat de draadloos-eenheid niet liggen op een plaats die is blootgesteld aan hoge temperaturen, zoals in een auto die in de zon staat geparkeerd.
22. Laat de draadloos-eenheid niet liggen op een plaats met veel stof of poeder, of op een plaats waar corrosief gas kan worden gegenereerd.
23. Door een plotselinge verandering in temperatuur kan condens op de draadloos-eenheid worden gevormd. Gebruik de draadloos-eenheid niet voordat de condens volledig is verdampt.
24. Veeg de draadloos-eenheid voorzichtig schoon met een droge, zachte doek. Gebruik geen wasbenzine, thinner, geleidend vet en dergelijke.
25. Bewaar de draadloos-eenheid in de bijgeleverde doos of een antistatische container.
26. Breng geen andere apparaten dan een draadloos-eenheid van Makita aan in de gleuf van het gereedschap.
27. Gebruik het gereedschap niet als de afdekking van de gleuf beschadigd is. Water, stof en vuil die in de gleuf binnendringen, kunnen een storing veroorzaken.
28. Trek en draai niet meer dan nodig is aan de afdekking van de gleuf. Plaats de afdekking terug als deze los komt van het gereedschap.
29. Vervang de afdekking van de gleuf als deze verloren of beschadigd is.

## BEWAAR DEZE INSTRUCTIES.

## BESCHRIJVING VAN DE FUNCTIES

**⚠ LET OP:** Zorg altijd dat het gereedschap is uitgeschakeld en de accu ervan is verwijderd alvorens de functies op het gereedschap af te stellen of te controleren.

### De accu aanbrengen en verwijderen

**⚠ LET OP:** Schakel het gereedschap altijd uit voordat u de accu aanbrengt of verwijdert.

**⚠ LET OP:** Houd het gereedschap en de accu stevig vast tijdens het aanbrengen of verwijderen van de accu. Als u het gereedschap en de accu niet stevig vasthoudt, kunnen deze uit uw handen glijpen en het gereedschap of de accu beschadigen, of kan persoonlijk letsel worden veroorzaakt.

**⚠ LET OP:** Zet de zool altijd omlaag wanneer u de accu's aanbrengt of verwijdert. Wees voorzichtig dat uw vingers niet bekneld raken.

**⚠ LET OP:** Gebruik geen accuadapter met de cirkelzaag. De kabel van de accuadapter kan het gebruik hinderen waardoor persoonlijk letsel wordt veroorzaakt.

► Fig.7: 1. Hendel 2. Rode deel 3. Knop 4. Accu

Voordat u de accu verwijdert, draait u de hendel voor de diepte-instelling los om de voet van het gereedschap omlaag te zetten. Schuif daarna de accu van het gereedschap af terwijl u de knop aan de voorkant van de accu verschuift.

Om de accu aan te brengen lijnt u de lip op de accu uit met de groef in de behuizing en duwt u de accu op zijn plaats. Steek de accu zo ver mogelijk in het gereedschap tot u een klinkgeluid hoort. Als u het rode deel aan de bovenkant van de knop kunt zien, is de accu niet goed aangebracht.

**⚠ LET OP:** Breng de accu altijd helemaal aan totdat het rode deel niet meer zichtbaar is. Als u dit niet doet, kan de accu per ongeluk uit het gereedschap vallen en u of anderen in uw omgeving verwonden.

**⚠ LET OP:** Breng de accu niet met kracht aan. Als de accu niet gemakkelijk in het gereedschap kan worden geschoven, wordt deze niet goed aangebracht.

**OPMERKING:** Het gereedschap werkt niet als slechts één accu is aangebracht.

## Gereedschap-/accubeveiligingssysteem

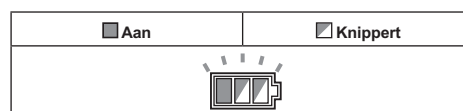
Het gereedschap is uitgerust met een gereedschap-/accubeveiligingssysteem. Dit systeem kan automatisch de stroomtoevoer naar de motor afsluiten om de levensduur van het gereedschap en de accu te verlengen. Het gereedschap zal tijdens gebruik automatisch stoppen wanneer het gereedschap of de accu zich in een van de volgende omstandigheden bevindt: Onder bepaalde omstandigheden gaan de indicatorlampjes branden.

### Overbelastingsbeveiliging

Wanneer het gereedschap wordt gebruikt op een manier waarop het een abnormaal hoge stroom trekt, stopt het gereedschap automatisch. Schakel in die situatie het gereedschap uit en stop het gebruik dat ertoe leidde dat het gereedschap overbelast raakte. Schakel daarna het gereedschap in om het weer te starten.

### Oververhittingsbeveiliging

Wanneer het gereedschap oververhit is, stopt het gereedschap automatisch en knippert de accu-indicator gedurende ongeveer 60 seconden. Laat in die situatie het gereedschap afkoelen voordat u het gereedschap weer inschakelt.




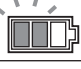
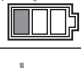

### Beveiliging tegen te ver ontladen

Als de acculading laag is, stopt het gereedschap automatisch. Als het gereedschap niet werkt, ook niet wanneer de schakelaars worden bediend, verwijdert u de accu's vanaf het gereedschap en laadt u de accu's op.

### De resterende acculading controleren

► Fig.8: 1. Accu-indicatorlampje 2. Testknop

Druk op de testknop om de resterende acculadingen te zien. De accu-indicatorlampjes geven per accu de resterende acculading aan.

Toestand van accu-indicator			Resterende acculading
<input type="checkbox"/> Aan	<input type="checkbox"/> Uit	<input type="checkbox"/> Knippert	
			50% tot 100%
			20% tot 50%
			0% tot 20%
			Laad de accu op.

## De resterende acculading controleren

Alleen voor accu's met indicatorlampjes

► Fig.9: 1. Indicatorlampjes 2. Testknop

Druk op de testknop op de accu om de resterende acculading te zien. De indicatorlampjes branden gedurende enkele seconden.

Indicatorlampjes			Resterende acculading
Brandt	Uit	Knippert	
■	□	▬	75% tot 100%
■	■	■	50% tot 75%
■	■	□	25% tot 50%
■	□	□	0% tot 25%
▬	□	□	Laad de accu op.
■	■	□	Er kan een storing zijn opgetreden in de accu.
□	□	■	

**OPMERKING:** Afhankelijk van de gebruiksomstandigheden en de omgevingstemperatuur, is het mogelijk dat de aangegeven acculading verschilt van de werkelijke acculading.

## De trekkerschakelaar gebruiken

**WAARSCHUWING:** Alvorens de accu in het gereedschap te plaatsen, moet u altijd controleren of de trekkerschakelaar goed werkt en bij het loslaten terugkeert naar de stand "OFF".

**WAARSCHUWING:** U mag NOOIT de uit-vergrendelknop buiten werking stellen door hem met tape vast te zetten of iets dergelijks. Een schakelaar met een buiten werking gestelde uit-vergrendelknop, kan leiden tot onbedoeld inschakelen en ernstig persoonlijk letsel.

**WAARSCHUWING:** Gebruik het gereedschap NOOIT als het start door alleen maar de trekkerschakelaar in te knijpen zonder de uit-vergrendelknop in te drukken. Een schakelaar die moet worden gerepareerd, kan leiden tot onbedoeld inschakelen en ernstig persoonlijk letsel. Stuur het gereedschap op naar een Makita-servicecentrum voor reparatie ZONDER het verder te gebruiken.

Om te voorkomen dat de trekkerschakelaar per ongeluk wordt ingeknepen, is een uit-vergrendelknop aangebracht. Om het gereedschap te starten, drukt u de uit-vergrendelknop in en knijpt u de trekkerschakelaar in. Laat de trekkerschakelaar los om te stoppen.

► Fig.10: 1. Trekkerschakelaar 2. Uit-vergrendelknop

**KENNISGEVING:** Druk de trekschakelaar niet hard in zonder dat de uit-vergrendelknop is ingedrukt. Hierdoor kan de schakelaar kapot gaan.

**LET OP:** Onmiddellijk nadat u de trekkerschakelaar hebt losgelaten, begint het gereedschap de snelheid van het cirkelzaagblad af te remmen. Houd het gereedschap stevig vast om de reactiekracht van het afremmen te kunnen opvangen nadat de trekkerschakelaar is losgelaten. Door de plotselinge reactiekracht kan het gereedschap uit uw handen vallen en persoonlijk letsel veroorzaken.

## Automatische toerentalwisselfunctie

Dit gereedschap heeft een "hoog-toerentalfunctie" en een "hoog-koppelfunctie". Het gereedschap verandert de bedieningsfunctie automatisch aan de hand van de werkbelasting. Wanneer de werkbelasting laag is, draait het gereedschap in de "hoog-toerentalfunctie" om sneller te kunnen zagen. Wanneer de werkbelasting hoog is, draait het gereedschap in de "hoog-koppelfunctie" om krachtiger te kunnen zagen.

► Fig.11: 1. Functie-indicator

De functie-indicator brandt groen wanneer het gereedschap in de "hoog-koppelfunctie" draait. Als het gereedschap onder buitensporige belasting draait, knippert de functie-indicator groen. De functie-indicator stopt met knippen en gaat branden of gaat uit wanneer u de belasting op het gereedschap verlaagt.

Status van functie-indicator			Bedieningsfunctie
● Brandt	○ Uit	◐ Knippert	
	○		Hoog-toerentalfunctie
●			Hoog-koppelfunctie
		◐	Waarschuwing wegens overbelasting

## De zaagdiepte instellen

**LET OP:** Nadat u de zaagdiepte hebt ingesteld, zet u de hendel altijd stevig vast.

Draai de hendel op de dieptegeleider los en verstel de zool omhoog of omlaag. Zet de zool vast op de gewenste zaagdiepte door de hendel vast te draaien. Voor een schonere, veiligere zaagsnede, stelt u de zaagdiepte zodanig in dat niet meer dan een tandhoogte door het werkstuk heen steekt. Door de zaagdiepte goed in te stellen, verkleint u de kans op een potentieel gevaarlijke TERUGSLAG, en daarmee op persoonlijk letsel.

► Fig.12: 1. Hendel

## Schuine zaagsnede

**LET OP:** Nadat u de verstekhoek hebt ingesteld, draait u de klembouten altijd stevig vast.

Draai de klembouten los. Kantel om de gewenste hoek in te stellen en draai dan de klembouten weer stevig vast.

► Fig.13: 1. Klembout

Gebruik de aanslag wanneer u precies onder een hoek van 45° wilt verstekzagen. Zet de aanslag, zoals afgebeeld, helemaal in de stand voor een verstekhoek van 0° - 45° of in de stand voor een verstekhoek van 0° - 48°.

► Fig.14: 1. Aanslag

## Zichtlijn

Voor recht zagen lijnt u de positie 0° op de voorkant van de zool uit met de zaaglijn. Voor een schuine zaagsnede onder een hoek van 45°, gebruikt u hiervoor de 45°-stand.

► Fig.15: 1. Zaaglijn (0°-stand) 2. Zaaglijn (45°-stand)

## De lamp inschakelen

**⚠ LET OP:** Kijk niet direct in het lamplicht of in de lichtbron.

Om de lamp in te schakelen zonder het gereedschap in te schakelen, knijpt u de trekkerschakelaar in zonder de uit-vergrendelknop in te drukken.

Om de lamp in te schakelen en het gereedschap in te schakelen, drukt u de uit-vergrendelknop in en knijpt u trekkerschakelaar in. De lamp gaat 10 seconden nadat u de trekkerschakelaar hebt losgelaten uit.

► Fig.16: 1. Lamp

**OPMERKING:** Gebruik een droge doek om vuil van de lens van de lamp af te vegen. Wees voorzichtig dat u de lens van de lamp niet bekrast omdat dan de verlichting minder wordt.

## Haak

### Optioneel accessoire

**⚠ LET OP:** Verwijder altijd eerst de accu, voordat u het gereedschap aan de haak ophangt.

**⚠ LET OP:** Hang het gereedschap nooit op aan de haak op een hoge plaats of ergens waar het gereedschap uit balans kan raken en kan vallen.

**⚠ LET OP:** Trek het gereedschap niet omlaag terwijl het aan de haak hangt.

De haak is handig om het gereedschap tijdelijk aan op te hangen.  
► Fig.17

Bevestig de haak met behulp van de bouten, zoals afgebeeld.  
► Fig.18: 1. Haak 2. Bout

Om de haak te kunnen gebruiken, draait u gewoon de haak totdat deze vastklikt in de geopende stand. Als u de haak niet gebruikt, draait u altijd de haak totdat deze vastklikt in de gesloten stand.

► Fig.19: 1. Geopende stand 2. Gesloten stand

## Elektrische rem

Dit gereedschap is voorzien van een elektrische zaagbladrem. Als het gereedschap continu het cirkelzaagblad niet snel stil zet na het loslaten van de schakelaar, laat u het gereedschap onderhouden door een Makita-servicecentrum.

**⚠ LET OP:** Het zaagbladremstelsysteem is geen vervanging van de beschermkap. **GEBRUIK HET GEREEDSCHAP NOOIT ZONDER EEN WERKENDE BESCHERMKAP. DIT KAN LEIDEN TOT ERNSTIG PERSOONLIJK LETSEL.**

## Elektronische functie

Gereedschappen met elektronische functie zijn dankzij de volgende eigenschap(en) gemakkelijk te bedienen.

### Zachte-startfunctie

Maakt een zachte start mogelijk door onderdrukking van de startschok.

## MONTAGE

**⚠ LET OP:** Zorg altijd dat het gereedschap is uitgeschakeld en de accu ervan is verwijderd alvorens enig werk aan het gereedschap uit te voeren.

## Opbergen van de inbusseutel

Wanneer u de inbusseutel niet gebruikt, bergt u deze op de plaats aangegeven in de afbeelding op, om te voorkomen dat deze wordt verloren.

► Fig.20: 1. Inbusseutel

## Het cirkelzaagblad aanbrengen en verwijderen

**⚠ LET OP:** Verzeker u ervan dat het cirkelzaagblad zodanig wordt aangebracht dat de tanden aan de voorkant van het gereedschap omhoog wijzen.

**⚠ LET OP:** Gebruik uitsluitend de Makita-inbusseutel voor het aanbrengen en verwijderen van het cirkelzaagblad.

Als u het cirkelzaagblad wilt verwijderen, drukt u eerst de asvergrendeling helemaal in zodat het cirkelzaagblad niet meer kan draaien, en gebruikt u vervolgens de inbusseutel om de inbusbout los te draaien. Verwijder vervolgens de inbusbout, de buitenflens, het cirkelzaagblad en de ring (afhankelijk van het land).

► Fig.21: 1. Asvergrendeling 2. Inbusseutel  
3. Losdraaien 4. Vastdraaien

### Voor gereedschap zonder de ring

► Fig.22: 1. Inbusbout 2. Buitenflens  
3. Cirkelzaagblad 4. Binnenflens

### Voor gereedschap met de ring

► Fig.23: 1. Inbusbout 2. Buitenflens  
3. Cirkelzaagblad 4. Ring 5. Binnenflens

Om het cirkelzaagblad aan te brengen, volgt u de verwijderingsprocedure in omgekeerde volgorde.

## Voor gereedschap met een binnenflens voor een zaagblad met een middengatdiameter anders dan 15,88 mm

De binnenflens heeft een uitsteeksel met een bepaalde diameter aan één zijde en een uitsteeksel met een andere diameter aan de andere zijde. Kies de correcte zijde waarvan het uitsteeksel perfect past in het middengat van het zaagblad. Plaats de binnenflens op de montageas zodat de zijde met het juiste uitsteeksel op de binnenflens naar buiten wijst, en breng daarna het zaagblad en de buitenflens aan.

► Fig.24: 1. Montageas 2. Binnenflens  
3. Cirkelzaagblad 4. Buitenflens 5. Inbusbout

**⚠ WAARSCHUWING: ZORG ERVOOR DAT U DE INBUSBOUT RECHTSOM STEVIG VASTDRAAIT.** Wees ook voorzichtig de bout niet te strak aan de draaien. Als u met uw hand van de inbussleutel af glijdt, kan persoonlijk letsel ontstaan.

**⚠ WAARSCHUWING:** Zorg ervoor dat het uitsteeksel "a" op de binnenflens dat aan de buitenzijde zit, perfect past in het middengat "a" van het zaagblad. Als u het zaagblad op de verkeerde kant van de binnenflens aanbrengt, kunnen gevaarlijke trillingen het gevolg zijn.

### Voor gereedschap met een binnenflens voor een zaagblad met een middengatdiameter van 15,88 mm (afhankelijk van het land)

Breng de binnenflens op de montageas aan met zijn verzonken zijde naar buiten gericht, en breng daarna het zaagblad (zo nodig met de ring bevestigd), de buitenflens en de inbusbout aan.

#### Voor gereedschap zonder de ring

- Fig.25: 1. Montageas 2. Binnenflens  
3. Cirkelzaagblad 4. Buitenflens  
5. Inbusbout

#### Voor gereedschap met de ring

- Fig.26: 1. Montageas 2. Binnenflens  
3. Cirkelzaagblad 4. Buitenflens  
5. Inbusbout 6. Ring

**⚠ WAARSCHUWING: ZORG ERVOOR DAT U DE INBUSBOUT RECHTSOM STEVIG VASTDRAAIT.** Wees ook voorzichtig de bout niet te strak aan de draaien. Als u met uw hand van de inbussleutel af glijdt, kan persoonlijk letsel ontstaan.

**⚠ WAARSCHUWING:** Als de ring nodig is om het zaagblad op de montageas aan te kunnen brengen, zorgt u er altijd voor dat de correcte ring voor het middengat van het te gebruiken zaagblad wordt aangebracht tussen de binnenflens en de buitenflens. Als de verkeerde middengatring wordt gebruikt, wordt het zaagblad mogelijk niet goed aangebracht, waardoor het zaagblad kan bewegen en sterke trillingen worden veroorzaakt met als gevolg dat u tijdens het gebruik de controle over het gereedschap kunt verliezen en ernstig persoonlijk letsel wordt veroorzaakt.

### De beschermkap reinigen

Vergeet niet om tijdens het verwisselen van het cirkelzaagblad tevens de bovenste en onderste beschermkappen te ontdoen van opgehoopt zaagsel, zoals beschreven in het hoofdstuk Onderhoud. Ondanks dergelijk onderhoud blijft het noodzakelijk de werking van de onderste beschermkap voor ieder gebruik te controleren.

#### Een stofzuiger aansluiten

Om de zaagomgeving schoon te houden, kunt u een Makita-stofzuiger op dit gereedschap aansluiten. Sluit de stofzuigerslang aan op de stofafzuigaansluitmond, zoals aangegeven in de afbeelding.

- Fig.27: 1. Stofafzuigaansluitmond 2. Schroef

- Fig.28: 1. Slang 2. Stofzuiger

## BEDIENING

Dit gereedschap is bedoeld voor het zagen van houtproducten. Met geschikte, originele Makita-cirkelzaagbladen kunnen ook de volgende materialen worden gezaagd:

- Aluminiumproducten

Raadpleeg onze website of neem contact op met uw plaatselijke Makita-dealer voor de correcte cirkelzaagbladen die moeten worden gebruikt voor het te zagen materiaal.

### De werking van de beschermkap controleren

Stel de verstekhoek in op 0° en trek daarna de onderste beschermkap met de hand terug tot aan het einde en laat hem los. De onderste beschermkap werkt correct als:

- deze kan worden teruggetrokken boven de zool zonder enig weerstand, en
- deze automatisch terugkeert tot tegen de aanslag.

- Fig.29: 1. Bovenste beschermkap 2. Onderste beschermkap 3. Zool 4. Aanslag 5. Openen 6. Sluiten

Als de onderste beschermkap niet correct werkt, controleert u of zaagsel zich heeft opgehoopt binnenin de onderste en bovenste beschermkappen. Als de onderste beschermkap niet correct werkt, zelfs niet na het verwijderen van zaagsel, laat u het gereedschap onderhouden door een Makita-servicecentrum.

### Zagen

**⚠ LET OP:** Draag een stofmasker wanneer u zaagt.

**⚠ LET OP:** Duw het gereedschap voorzichtig in een rechte lijn naar voren. Als u het gereedschap dwingt of verdraait, zal de motor oververhit raken en het gereedschap gevaarlijk terugslaan waardoor ernstig letsel kan worden veroorzaakt.

**OPMERKING:** Wanneer de temperatuur van de accu laag is, werkt het gereedschap mogelijk niet op volle capaciteit. Gebruik in dat geval het gereedschap enige tijd voor licht zaagwerk totdat de accu is opgewarmd tot kamertemperatuur. Daarna kan het gereedschap op volle capaciteit werken.

- Fig.30

Houd het gereedschap stevig vast. Het gereedschap is voorzien van zowel een voorhandgreep als een achterhandgreep. Gebruik beide om het gereedschap zo goed mogelijk vast te houden. Als u de zaag met beide handen vasthoudt, kan het cirkelzaagblad nooit in uw handen zagen. Plaats eerst de zool op het werkstuk dat u wilt zagen, zonder dat het cirkelzaagblad het werkstuk raakt. Schakel vervolgens het gereedschap in en wacht totdat het cirkelzaagblad op maximaal toerental draait. Duw het gereedschap nu gewoon naar voren over het oppervlak van het werkstuk, houd het daarbij vlak, en duw gelijkmatig totdat het zagen klaar is.

Zorg voor een schone zaagsnede door een rechte zaaglijn en een constante voortgaande snelheid. Als de zaagsnede niet verloopt volgens de voorgenomen zaaglijn, mag u niet proberen het gereedschap iets te draaien of te dwingen terug te keren naar de zaaglijn.

Als u dit doet, kan het cirkelzaagblad vastlopen en een gevaarlijke terugslag optreden met mogelijk ernstig persoonlijk letsel tot gevolg. Laat de schakelaar los, wacht tot het cirkelzaagblad tot stilstand is gekomen en trek vervolgens het gereedschap terug. Lijn het gereedschap uit met een nieuwe zaaglijn en begin weer te zagen. Probeer te vermijden dat door de positie van het gereedschap de gebruiker wordt blootgesteld aan zaagsel en spaanders die door de zaag worden uitgeworpen. Gebruik oogbescherming om verwonding te voorkomen.

## Breedtegeleider (liniaal)

**⚠ LET OP:** Verzeker u ervan dat de breedtegeleider vóór gebruik stevig is aangebracht in de juiste positie. Een verkeerde bevestiging kan gevaarlijke terugslag veroorzaken.

► Fig.31: 1. Breedtegeleider (liniaal) 2. Klembout

Met de handige breedtegeleider kunt u extra nauwkeurig recht zagen. Schuif gewoon de breedtegeleider strak tegen de zijkant van het werkstuk en zet deze op zijn plaats vast met behulp van de schroef op de voorkant van de zool van het gereedschap. Op deze manier is het tevens mogelijk een zaagbeweging te herhalen met identieke breedte.

## Geleiderail

### Optioneel accessoire

Plaats het gereedschap op de achterkant van de geleiderail. Draai aan de twee stelschroeven op de gereedschapzool het gereedschap soepel zonder gerammel kan glijden. Houd zowel de voorhandgreep als de achterhandgreep van het gereedschap stevig vast. Schakel het gereedschap in en zaag de splinterbescherming in één keer over de volle lengte af. De rand van de splinterbescherming komt nu overeen met de zaagrand.

► Fig.32: 1. Stelschroeven

Bij het zagen van een schuine zaagsnede met de geleiderail, moet u de schuifhendel gebruiken om te voorkomen dat het gereedschap omvalt.

Beweeg de schuifhendel op de gereedschapzool in de richting van de pijl zodat hij in de ondersnijdingsgroef in de geleiderail valt.

► Fig.33: 1. Schuifhendel

## Een touw (turiem) bevestigen

**⚠ Veiligheidswaarschuwingen specifiek voor werken op hoogte**

**Lees alle veiligheidswaarschuwingen en alle instructies.** Het niet volgen van de waarschuwingen en instructies kan leiden tot ernstig letsel.

1. **Houd het gereedschap altijd vastgebonden tijdens het werken 'op hoogte'. De maximale lengte van het touw is 2 m.**
2. **Gebruik uitsluitend met een touw dat geschikt is voor dit gereedschap en een draagvermogen heeft van minstens 6,0 kg (13,3 lbs).**
3. **Veranker het touw van het gereedschap niet aan iets op uw lichaam of aan een verplaatsbaar voorwerp. Veranker het touw van het gereedschap aan een stevige constructie die de krachten van een vallend gereedschap kan opvangen.**
4. **Verzeker u er vóór gebruik van dat het touw goed is vastgemaakt aan beide uiteinden.**

5. **Inspecteer het gereedschap en touw vóór elk gebruik op beschadigingen en correcte werking (inclusief het materiaal en de stiksels). Gebruik het niet wanneer het beschadigd is of niet correct werkt.**
6. **Wikkel touwen niet rondom scherpe of ruwe randen en laat ze er niet mee in aanraking komen.**
7. **Bevestig het andere uiteinde van het touw buiten het werkgebied zodat een vallend gereedschap stevig bevestigd blijft.**
8. **Bevestig het touw zodanig dat het gereedschap tijdens het vallen zich verwijderd van de gebruiker.** Een gereedschap dat valt zal aan het touw slingeren, waardoor letsel kan worden veroorzaakt of u uw evenwicht kunt verliezen.
9. **Gebruik niet nabij bewegende onderdelen of draaiende machines.** Als u zich hier niet aan houdt, kan dat leiden tot beknellingsgevaar of verstrikkingsgevaar.
10. **Draag het gereedschap niet aan de bevestigingsvoorziening of het touw.**
11. **Verplaats het gereedschap uitsluitend tussen uw handen terwijl u een goed evenwicht hebt.**
12. **Bevestig een touw niet aan het gereedschap op een manier waardoor beschermkappen, schakelaars of uit-vergrendelingen niet correct kunnen werken.**
13. **Voorkom dat u verstrikt raakt in het touw.**
14. **Houd het touw uit de buurt van het snij- of zaaggebied van het gereedschap.**
15. **Gebruik multiactie-karabijnhaken en karabijnhaken met schroefsluiting. Gebruik geen enkelvoudige karabijnhaken met veersluiting.**
16. **In het geval een gereedschap valt, moet het worden gelabeld en buiten bedrijf gesteld, en moet het worden geïnspecteerd door de Makita-fabriek of een Makita-servicecentrum.**

► Fig.34: 1. Gat voor touw (turiem)

## FUNCTIE VOOR DRAADLOOS INSCHAKELLEN

Alleen voor DHS783

### Mogelijkheden van de functie voor draadloos inschakelen

Met de functie voor draadloos inschakelen kunt u schoon en comfortabel werken. Door een ondersteunde stofzuiger aan te sluiten op het gereedschap, kunt u de stofzuiger automatisch laten in- en uitschakelen bij bediening van de schakelaar van het gereedschap.

► Fig.35

Om de functie voor draadloos inschakelen te gebruiken, dient u de volgende zaken voor te bereiden:

- Een draadloos-eenheid (optioneel accessoire)
- Een stofzuiger die de functie voor draadloos inschakelen ondersteunt

In het kort bestaat het instellen van de functie voor draadloos inschakelen uit de volgende punten. Raadpleeg elke paragraaf voor informatie over de procedure.

1. De draadloos-eenheid aanbrengen
2. Registratie van het gereedschap op de stofzuiger
3. De functie voor draadloos inschakelen starten

## De draadloos-eenheid aanbrengen

### Optioneel accessoire

**⚠ LET OP:** Plaats het gereedschap op een vlakke en stabiele ondergrond wanneer u de draadloos-eenheid aanbrengt.

**KENNISGEVING:** Verwijder het stof en vuil vanaf het gereedschap voordat u de draadloos-eenheid aanbrengt. Stof en vuil kunnen een storing veroorzaken wanneer ze binnendringen in de gleuf voor de draadloos-eenheid.

**KENNISGEVING:** Om een storing als gevolg van statische elektriciteit te voorkomen, raakt u een materiaal aan dat statische elektriciteit ontleedt, zoals een metalen onderdeel van het gereedschap, voordat u de draadloos-eenheid oppakt.

**KENNISGEVING:** Let er bij het aanbrengen van de draadloos-eenheid altijd op dat de draadloos-eenheid in de correcte richting wordt aangebracht en dat de afdekking volledig wordt gesloten.

1. Open de afdekking op het gereedschap, zoals aangegeven in de afbeelding.

► Fig.36: 1. Afdekking

2. Breng de draadloos-eenheid aan in de gleuf en sluit vervolgens de afdekking.

Wanneer u de draadloos-eenheid aanbrengt, lijnt u de uitsteeksels uit met de uitsparingen in de gleuf.

► Fig.37: 1. Draadloos-eenheid 2. Uitsteeksel 3. Afdekking 4. Uitsparing

Wanneer u de draadloos-eenheid verwijdert, opent u langzaam de afdekking. De haken op de achterkant van de afdekking, tillen de draadloos-eenheid op terwijl u de afdekking omhoog trekt.

► Fig.38: 1. Draadloos-eenheid 2. Haak 3. Afdekking

Nadat de draadloos-eenheid is verwijderd, bewaart u hem in de bijgeleverde doos of een antistatische container.

**KENNISGEVING:** Gebruik altijd de haken op de achterkant van de afdekking wanneer u de draadloos-eenheid verwijdert. Als de haken niet aangrijpen op de draadloos-eenheid, sluit u de afdekking volledig en opent u hem weer langzaam.

## Registratie van het gereedschap op de stofzuiger

**OPMERKING:** Een stofzuiger van Makita die de functie voor draadloos inschakelen ondersteunt, is vereist voor registratie van het gereedschap.

**OPMERKING:** Voltooi het aanbrengen van de draadloos-eenheid in het gereedschap voordat u de registratie van het gereedschap start.

**OPMERKING:** Gedurende de registratie van het gereedschap mag u de trekkerschakelaar van het gereedschap niet inknippen en de aan-uitknop van de stofzuiger niet bedienen.

**OPMERKING:** Raadpleeg tevens de gebruiksaanwijzing van de stofzuiger.

Als u wilt dat de stofzuiger wordt ingeschakeld tegelijk met de bediening van de schakelaar van het gereedschap, moet u van tevoren de registratie van het gereedschap voltooien.

1. Breng de accu's aan in de stofzuiger en het gereedschap.

2. Zet de standbyschakelaar op de stofzuiger op "AUTO".

► Fig.39: 1. Standbyschakelaar

3. Houd de knop voor draadloos inschakelen op de stofzuiger gedurende 3 seconden ingedrukt totdat de lamp van draadloos inschakelen groen knippert. En houd daarna op dezelfde manier de knop voor draadloos inschakelen op het gereedschap ingedrukt.

► Fig.40: 1. Knop voor draadloos inschakelen 2. Lamp van draadloos inschakelen

Nadat de stofzuiger en het gereedschap met succes aan elkaar zijn gekoppeld, zullen de lampen van draadloos inschakelen gedurende 2 seconden groen branden, waarna ze blauw gaan knipperen.

**OPMERKING:** De lampen van draadloos inschakelen stoppen na 20 seconden met groen knipperen. Druk op de knop voor draadloos inschakelen op het gereedschap terwijl de lamp van draadloos inschakelen op de stofzuiger knippert. Als de lamp van draadloos inschakelen niet groen knippert, drukt u kort op de knop voor draadloos inschakelen en houdt u deze weer ingedrukt.

**OPMERKING:** Als u twee of meer gereedschappen registreert op één stofzuiger, voltooit u de registratie van de gereedschappen één voor één.

## De functie voor draadloos inschakelen starten

**OPMERKING:** Voltooi de registratie van het gereedschap op de stofzuiger voordat u de functie draadloos inschakelen gebruikt.

**OPMERKING:** Raadpleeg tevens de gebruiksaanwijzing van de stofzuiger.

Nadat een gereedschap in de stofzuiger is geregistreerd, wordt de stofzuiger automatisch in- en uitgeschakeld door de bediening van de schakelaar van het gereedschap.

1. Breng de draadloos-eenheid aan in het gereedschap.

2. Sluit de slang van de stofzuiger aan op het gereedschap.

► Fig.41

3. Zet de standbyschakelaar op de stofzuiger op "AUTO".

► Fig.42: 1. Standbyschakelaar

4. Druk kort op de knop voor draadloos inschakelen op het gereedschap. De lamp van draadloos inschakelen knippert blauw.

► Fig.43: 1. Knop voor draadloos inschakelen 2. Lamp van draadloos inschakelen

5. Knijp de trekkerschakelaar van het gereedschap in. Controleer of de stofzuiger wordt ingeschakeld wanneer de trekkerschakelaar wordt ingeknepen.

Om het draadloos inschakelen van de stofzuiger te stoppen, drukt u op de knop voor draadloos inschakelen op het gereedschap.

**OPMERKING:** De lamp van draadloos inschakelen op het gereedschap stopt met blauw knipperen wanneer gedurende 2 uur geen bediening plaatsvindt. In dat geval zet u de standby-schakelaar van de stofzuiger op "AUTO" en drukt u nogmaals op de knop voor draadloos inschakelen op het gereedschap.

**OPMERKING:** De stofzuiger wordt met een vertraging in- en uitgeschakeld. Er treedt een tijdsvertraging op wanneer de stofzuiger de bediening van de schakelaar van het gereedschap detecteert.










**OPMERKING:** Het zendbereik van de draadloos-eenheid kan variëren afhankelijk van de locatie en omgevingsomstandigheden.

**OPMERKING:** Als twee of meer gereedschappen zijn geregistreerd in één stofzuiger, kan de stofzuiger worden ingeschakeld ondanks dat u niet de trekkerschakelaar inknijpt omdat een andere gebruiker de functie voor draadloos inschakelen gebruikt.

## Beschrijving van de status van de lamp van draadloos inschakelen

► Fig.44: 1. Lamp van draadloos inschakelen

De lamp van draadloos inschakelen toont de status van de functie voor draadloos inschakelen. Raadpleeg de onderstaande tabel voor de betekenis van de status van de lamp.

Status	Lamp van draadloos inschakelen			Beschrijving	
	Kleur	 Brandt	 Knippert		Duur
Standby	Blauw			2 uur	Het draadloos inschakelen van de stofzuiger is beschikbaar. De lamp wordt automatisch uitgeschakeld wanneer gedurende 2 uur geen bediening plaatsvindt.
				Bij ingeschakeld gereedschap.	Het draadloos inschakelen van de stofzuiger is beschikbaar en het gereedschap is ingeschakeld.
Registratie van het gereedschap	Groen			20 seconden	Klaar voor registratie van het gereedschap. Wachten op registratie door de stofzuiger.
				2 seconden	De registratie van het gereedschap is voltooid. De lamp van draadloos inschakelen knippert blauw.
Registratie van het gereedschap annuleren	Rood			20 seconden	Klaar om de registratie van het gereedschap te annuleren. Wachten op annuleren door de stofzuiger.
				2 seconden	Het annuleren van de registratie van het gereedschap is voltooid. De lamp van draadloos inschakelen knippert blauw.
Overig	Rood			3 seconden	De draadloos-eenheid wordt van stroom voorzien en de functie voor draadloos inschakelen start nu op.
	Uit	-		-	Het draadloos inschakelen van de stofzuiger is gestopt.

## Registratie van het gereedschap op de stofzuiger annuleren

Voer de volgende procedure uit om de registratie van het gereedschap in de stofzuiger te annuleren.

1. Breng de accu's aan in de stofzuiger en het gereedschap.
2. Zet de standbyschakelaar op de stofzuiger op "AUTO".

► Fig.45: 1. Standbyschakelaar

3. Houd de knop voor draadloos inschakelen op de stofzuiger gedurende 6 seconden ingedrukt. De lamp van draadloos inschakelen knippert groen en brandt daarna rood. Houd daarna op dezelfde manier de knop voor draadloos inschakelen op het gereedschap ingedrukt.

- Fig.46: 1. Knop voor draadloos inschakelen  
2. Lamp van draadloos inschakelen

Als het annuleren met succes is uitgevoerd, zullen de lampen van draadloos inschakelen gedurende 2 seconden rood branden, waarna ze blauw gaan knipperen.

**OPMERKING:** De lampen van draadloos inschakelen stoppen na 20 seconden met rood knipperen. Druk op de knop voor draadloos inschakelen op het gereedschap terwijl de lamp van draadloos inschakelen op de stofzuiger knippert. Als de lamp van draadloos inschakelen niet rood knippert, drukt u kort op de knop voor draadloos inschakelen en houdt u deze weer ingedrukt.



## Storingzoeken van de functie voor draadloos inschakelen

Alvorens u verzoekt om reparatie, kunt u zelf als volgt het probleem opsporen en oplossen. Als u met een probleem kampt dat in deze handleiding niet wordt beschreven, probeer dan niet het gereedschap te demonteren. Laat reparaties over aan een erkend Makita-servicecentrum, uitsluitend met gebruik van originele Makita-ervangingsonderdelen.

Probleemomschrijving	Waarschijnlijke oorzaak (storing)	Oplossing
De lamp van draadloos inschakelen brandt/knippert niet.	De draadloos-eenheid is niet aangebracht in het gereedschap. De draadloos-eenheid is verkeerd aangebracht in het gereedschap.	Breng de draadloos-eenheid op de juiste wijze aan.
	De aansluitingen van de draadloos-eenheid en/of de gleuf zijn vuil.	Veeg het stof en vuil op de aansluitingen van de draadloos-eenheid voorzichtig af en reinig de gleuf.
	Er is niet op de knop voor draadloos inschakelen op het gereedschap gedrukt.	Druk kort op de knop voor draadloos inschakelen op het gereedschap.
	De standbyschakelaar op de stofzuiger is niet op "AUTO" gezet.	Zet de standbyschakelaar op de stofzuiger op "AUTO".
	Geen voeding.	Voorzie het gereedschap en de stofzuiger van voeding.
De registratie van het gereedschap/het annuleren van de registratie van het gereedschap kan niet met succes worden voltooid.	De draadloos-eenheid is niet aangebracht in het gereedschap. De draadloos-eenheid is verkeerd aangebracht in het gereedschap.	Breng de draadloos-eenheid op de juiste wijze aan.
	De aansluitingen van de draadloos-eenheid en/of de gleuf zijn vuil.	Veeg het stof en vuil op de aansluitingen van de draadloos-eenheid voorzichtig af en reinig de gleuf.
	De standbyschakelaar op de stofzuiger is niet op "AUTO" gezet.	Zet de standbyschakelaar op de stofzuiger op "AUTO".
	Geen voeding.	Voorzie het gereedschap en de stofzuiger van voeding.
	Onjuiste bediening	Druk kort op de knop voor draadloos inschakelen en voer de procedures voor de registratie/het annuleren van de registratie opnieuw uit.
	Het gereedschap en de stofzuiger staan te ver uit elkaar (buiten het zendbereik).	Plaats het gereedschap en de stofzuiger dicht bij elkaar. Het maximale zendbereik is ongeveer 10 meter, echter, dit kan verschillen afhankelijk van de omstandigheden.
	Alvorens de registratie/het annuleren van de registratie te voltooien: - is de trekschakelaar van het gereedschap ingeknepen, of - is de aan-uitknop van de stofzuiger bediend.	Druk kort op de knop voor draadloos inschakelen en voer de procedures voor de registratie/het annuleren van de registratie opnieuw uit.
	De procedure voor de registratie van het gereedschap op het gereedschap of de stofzuiger is niet voltooid.	Voer de procedure voor de registratie van het gereedschap tegelijkertijd uit op het gereedschap en de stofzuiger.
Radiostoring door andere apparaten die sterke radiogolven genereren.	Houd het gereedschap en de stofzuiger uit de buurt van apparaten zoals Wi-Fi-apparaten en magnetrons.	

Probleemomschrijving	Waarschijnlijke oorzaak (storing)	Oplossing
De stofzuiger wordt niet in- en uitgeschakeld tegelijk met de bediening van de schakelaar van het gereedschap.	De draadloos-eenheid is niet aangebracht in het gereedschap. De draadloos-eenheid is verkeerd aangebracht in het gereedschap.	Breng de draadloos-eenheid op de juiste wijze aan.
	De aansluitingen van de draadloos-eenheid en/of de gleuf zijn vuil.	Veeg het stof en vuil op de aansluitingen van de draadloos-eenheid voorzichtig af en reinig de gleuf.
	Er is niet op de knop voor draadloos inschakelen op het gereedschap gedrukt.	Druk kort op de knop voor draadloos inschakelen en controleer of de lamp van draadloos inschakelen blauw knippert.
	De standbyschakelaar op de stofzuiger is niet op "AUTO" gezet.	Zet de standbyschakelaar op de stofzuiger op "AUTO".
	Meer dan 10 gereedschappen zijn geregistreerd in de stofzuiger.	Voer de registratie van het gereedschap opnieuw uit. Als meer dan 10 gereedschappen zijn geregistreerd in de stofzuiger, wordt de eerste registratie van een gereedschap automatisch gewist.
	De stofzuiger heeft alle registraties van de gereedschappen gewist.	Voer de registratie van het gereedschap opnieuw uit.
	Geen voeding.	Voorzie het gereedschap en de stofzuiger van voeding.
	Het gereedschap en de stofzuiger staan te ver uit elkaar (buiten het zendbereik).	Plaats het gereedschap en de stofzuiger dichterbij elkaar. Het maximale zendbereik is ongeveer 10 meter, echter, dit kan verschillen afhankelijk van de omstandigheden.
	Radiostoring door andere apparaten die sterke radiogolven genereren.	Houd het gereedschap en de stofzuiger uit de buurt van apparaten zoals Wi-Fi-apparaten en magnetrons.
De stofzuiger wordt ingeschakeld terwijl de trekverschakelaar van het gereedschap niet wordt ingeknepen.	Andere gebruikers gebruiken op hun gereedschap de functie voor draadloos inschakelen van de stofzuiger.	Schakel de knop voor draadloos inschakelen van de andere gereedschappen uit of annuleer de registratie van de andere gereedschappen.

## ONDERHOUD

**⚠ LET OP:** Zorg altijd dat het gereedschap is uitgeschakeld en de accu ervan is verwijderd alvorens te beginnen met onderhoud of inspectie.

**⚠ LET OP:** Reinig de bovenste en onderste beschermkappen om er zeker van te zijn dat er geen opgehoopt zaagsel is dat de werking van de onderste beschermkap kan hinderen. Een vuile beschermkap kan de goede werking hinderen, wat kan leiden tot ernstig persoonlijk letsel. De meest effectieve manier om dit reinigen uit te voeren is met perslucht. **Wanneer het stof uit de beschermkappen wordt geblazen, dient u de geschikte oog- en ademhalingsbescherming te gebruiken.**

**⚠ LET OP:** Veeg na elk gebruik het zaagsel van het gereedschap af. Fijn zaagsel kan binnendringen in het gereedschap en een storing of brand veroorzaken.

**KENNISGEVING:** Gebruik nooit benzine, wasbenzine, thinner, alcohol en dergelijke. Hierdoor kunnen verkleuring, vervormingen en barsten worden veroorzaakt.

Om de VEILIGHEID en BETROUWBAARHEID van het gereedschap te handhaven, dienen alle reparaties, onderhoud of afstellingen te worden uitgevoerd bij een erkend Makita-servicecentrum of de Makita-fabriek, en altijd met gebruik van Makita-vervangingsonderdelen.

## De nauwkeurigheid van de zaaghoek van 0° of 45° afstellen

Deze afstelling is al in de fabriek uitgevoerd. Maar als deze verlopen is, kunt u het afstellen aan de hand van de volgende procedure.

1. Draai de klembouten los aan de voorkant en achterkant van het gereedschap zodat de verstekhoek kan worden veranderd. Zet de aanslag in de stand voor een verstekhoek van 0° - 45° als u de nauwkeurigheid van de zaaghoek van 45° wilt afstellen.

► **Fig.47:** 1. Aanslag

2. Zet de zool haaks op, of onder een hoek van 45° met, het cirkelzaagblad met behulp van een geodriehoek door de stelbout te draaien met behulp van een inbussleutel. U kunt ook een winkelhaak gebruiken om de zaaghoek van 0° af te stellen.

► **Fig.48:** 1. Geodriehoek

► **Fig.49:** 1. Stelbout voor zaaghoek van 0°  
2. Stelbout voor zaaghoek van 45°

3. Draai de klembouten vast, en zaag daarna een testsnede om te controleren of de gewenste hoek wordt verkregen.

## Het parallelisme afstellen

**⚠ LET OP:** Houd het parallelisme nauwkeurig. Anders kan het cirkelzaagblad in de geleiderail zagen en kan de beschadigde geleiderail letsel veroorzaken.

Deze afstelling is al in de fabriek uitgevoerd. Maar als deze verlopen is, kunt u het afstellen aan de hand van de volgende procedure.

1. Stel het gereedschap in op de maximale zaagdiepte.
2. Zorg ervoor dat alle hendels en bouten vastgedraaid zijn.
3. Draai de bouten, aangegeven in de afbeelding, los.
4. Open de onderste beschermkap en verplaats de achterkant van de zool zodat de afstanden A en B gelijk worden.  
► Fig.50: 1. Bout 2. Zool
5. Draai de bouten vast en zaag een testsnede om het parallelisme te controleren.

## OPTIONELE ACCESSOIRES

**⚠ LET OP:** Deze accessoires of hulpstukken worden aanbevolen voor gebruik met het Makita gereedschap dat in deze gebruiksaanwijzing is beschreven. Bij gebruik van andere accessoires of hulpstukken bestaat het gevaar van persoonlijke letsel. Gebruik de accessoires of hulpstukken uitsluitend voor hun bestemde doel.

Wenst u meer bijzonderheden over deze accessoires, neem dan contact op met het plaatselijke Makita-servicecentrum.

- Cirkelzaagblad
- Breedtegeleider (liniaal)
- Haak
- Geleiderail
- Verstekschaalverdeling
- Klem
- Vel
- Rubber vel
- Positieveel
- Stofafzuigaansluitmond
- Inbussleutel
- Draadloos-eenheid (voor DHS783)
- Originele Makita accu's en acculaders

**OPMERKING:** Sommige items op de lijst kunnen zijn inbegrepen in de doos van het gereedschap als standaard toebehoren. Deze kunnen van land tot land verschillen.

## ESPAÑOL (Instrucciones originales)

### ESPECIFICACIONES

Modelo:	DHS782	DHS783
Diámetro del disco	185 - 190 mm	
Profundidad de corte máxima	a 0°	60,0 - 62,5 mm
	a 45° a bisel	43,0 - 44,5 mm
	a 48° a bisel	41,0 - 42,0 mm
Velocidad en vacío	6.000 min <sup>-1</sup>	
Longitud total	348 mm	
Tensión nominal	CC 36 V	
Peso neto	4,5 - 5,1 kg	

- Debido a nuestro continuado programa de investigación y desarrollo, las especificaciones aquí dadas están sujetas a cambios sin previo aviso.
- Las especificaciones y el cartucho de batería pueden diferir de país a país.
- El peso puede variar dependiendo del accesorio(s), incluyendo el cartucho de batería. La combinación menos pesada y la más pesada, de acuerdo con el procedimiento EPTA 01/2014, se muestran en la tabla.

#### Cartucho de batería y cargador aplicables

Cartucho de batería	BL1815N / BL1820 / BL1820B / BL1830 / BL1830B / BL1840 / BL1840B / BL1850 / BL1850B / BL1860B
Cargador	DC18RC / DC18RD / DC18RE / DC18SD / DC18SE / DC18SF

- Algunos de los cartuchos de batería y cargadores indicados arriba puede que no estén disponibles dependiendo de su región de residencia.

**⚠ADVERTENCIA:** Utilice solamente los cartuchos de batería y cargadores listados arriba. La utilización de cualquier otro cartucho de batería y cargador puede ocasionar heridas y/o un incendio.

#### Uso previsto

La herramienta ha sido prevista para realizar cortes rectos longitudinales y transversales y cortes en inglete con ángulos en madera mientras es mantenida en firme contacto con la pieza de trabajo. Con discos genuinos de Makita apropiados, también se pueden serrar otros materiales.

#### Ruido

El nivel de ruido A-ponderado típico determinado de acuerdo con la norma EN62841-2-5:

##### Modelo DHS782

Nivel de presión sonora ( $L_{pA}$ ): 93 dB (A)

Nivel de potencia sonora ( $L_{WA}$ ): 104 dB (A)

Error (K): 3 dB (A)

##### Modelo DHS783

Nivel de presión sonora ( $L_{pA}$ ): 93 dB (A)

Nivel de potencia sonora ( $L_{WA}$ ): 104 dB (A)

Error (K): 3 dB (A)

**NOTA:** El valor (o los valores) de emisión de ruido declarado ha sido medido de acuerdo con un método de prueba estándar y se puede utilizar para comparar una herramienta con otra.

**NOTA:** El valor (o valores) de emisión de ruido declarado también se puede utilizar en una valoración preliminar de exposición.

**⚠ADVERTENCIA:** Póngase protectores para oídos.

**⚠ADVERTENCIA:** La emisión de ruido durante la utilización real de la herramienta eléctrica puede variar del valor (o los valores) de emisión declarado dependiendo de las formas en las que la herramienta sea utilizada, especialmente qué tipo de pieza de trabajo se procesa.

**⚠ADVERTENCIA:** Asegúrese de identificar medidas de seguridad para proteger al operario que estén basadas en una estimación de la exposición en las condiciones reales de utilización (teniendo en cuenta todas las partes del ciclo operativo como las veces cuando la herramienta está apagada y cuando está funcionando en vacío además del tiempo de gatillo).

#### Vibración

El valor total de la vibración (suma de vectores triaxiales) determinado de acuerdo con la norma EN62841-2-5:

##### Modelo DHS782

Modo de trabajo: corte de madera

Emisión de vibración ( $a_{h,W}$ ): 2,5 m/s<sup>2</sup> o menos

Error (K): 1,5 m/s<sup>2</sup>

Modo de trabajo: corte de metal

Emisión de vibración ( $a_{h,M}$ ): 2,5 m/s<sup>2</sup> o menos

Error (K): 1,5 m/s<sup>2</sup>

### Modelo DHS783

Modo de trabajo: corte de madera

Emisión de vibración ( $a_{h,W}$ ): 2,5 m/s<sup>2</sup> o menos

Error (K) : 1,5 m/s<sup>2</sup>

Modo de trabajo: corte de metal

Emisión de vibración ( $a_{h,M}$ ): 2,5 m/s<sup>2</sup> o menos

Error (K) : 1,5 m/s<sup>2</sup>

**NOTA:** El valor (o los valores) total de emisión de vibración declarado ha sido medido de acuerdo con un método de prueba estándar y se puede utilizar para comparar una herramienta con otra.

**NOTA:** El valor (o los valores) total de emisión de vibración declarado también se puede utilizar en una valoración preliminar de exposición.

**⚠ADVERTENCIA:** La emisión de vibración durante la utilización real de la herramienta eléctrica puede variar del valor (o los valores) de emisión declarado dependiendo de las formas en las que la herramienta sea utilizada, especialmente qué tipo de pieza de trabajo se procesa.

**⚠ADVERTENCIA:** Asegúrese de identificar medidas de seguridad para proteger al operario que estén basadas en una estimación de la exposición en las condiciones reales de utilización (teniendo en cuenta todas las partes del ciclo operativo como las veces cuando la herramienta está apagada y cuando está funcionando en vacío además del tiempo de gatillo).

### Declaración CE de conformidad

#### Para países europeos solamente

La declaración CE de conformidad está incluida como Anexo A de esta manual de instrucciones.

## ADVERTENCIAS DE SEGURIDAD

### Advertencias de seguridad para herramientas eléctricas en general

**⚠ADVERTENCIA:** Lea todas las advertencias de seguridad, instrucciones, ilustraciones y especificaciones provistas con esta herramienta eléctrica. Si no sigue todas las instrucciones indicadas abajo podrá resultar en una descarga eléctrica, un incendio y/o heridas graves.

### Guarde todas las advertencias e instrucciones para futuras referencias.

El término "herramienta eléctrica" en las advertencias se refiere a su herramienta eléctrica de funcionamiento con conexión a la red eléctrica (con cable) o herramienta eléctrica de funcionamiento a batería (sin cable).

## Advertencias de seguridad para la sierra circular inalámbrica

### Procedimientos de corte

1. **⚠PELIGRO:** Mantenga las manos alejadas del área de corte y del disco. Mantenga su segunda mano en el mango auxiliar, o en el alojamiento del motor. Si ambas manos están sujetando la sierra, no podrán ser cortadas por el disco.
2. **No se ponga debajo de pieza de trabajo.** Debajo de la pieza de trabajo el protector no le puede proteger del disco.
3. **Ajuste la profundidad de corte al grosor de la pieza de trabajo.** Por debajo de la pieza de trabajo deberá verse menos de un diente entero de los dientes del disco.
4. **No sujete nunca con las manos o sobre su pierna la pieza de trabajo durante el corte. Sujete la pieza de trabajo en una plataforma estable.** Es importante apoyar la pieza de trabajo debidamente para minimizar la exposición del cuerpo, el estancamiento del disco, o la pérdida de control.

#### ► Fig.1

5. **Cuando realice una operación en la que el implemento de corte pueda entrar en contacto con cableado oculto, sujete la herramienta eléctrica por las superficies de asimiento aisladas solamente.** El contacto con un cable con corriente también hará que la corriente circule por las partes metálicas expuestas de la herramienta eléctrica y podrá soltar una descarga eléctrica al operario.
6. **Cuando haga cortes al hilo, utilice siempre una guía lateral o guía de borde recto.** Esto mejora la precisión del corte y reduce la posibilidad de que el disco se estanque.
7. **Utilice siempre discos con agujero para eje del tamaño y forma correctos (diamante en oposición a redondo).** Los discos que no correspondan con el mecanismo de montaje de la sierra se descentrarán, ocasionando la pérdida de control.
8. **No utilice nunca arandelas o perno de disco dañados o incorrectos.** Las arandelas y el perno de disco han sido diseñados especialmente para su sierra, y con ellos se logran un rendimiento y seguridad de operación óptimos.

### Causas de los retrocesos bruscos y advertencias relacionadas

- el retroceso brusco es una reacción repentina al estancamiento, atasco o desalineación del disco, que ocasiona que la sierra descontrolada se levante y salga de la pieza de trabajo hacia el operario;
- cuando el disco queda aprisionado o atascado firmemente debido al cierre de la hendidura, el disco se inmoviliza y la reacción del motor empuja la sierra bruscamente hacia atrás contra el operario;
- si el disco se retuerce o desalinea en el corte, los dientes del borde trasero del disco pueden morder la superficie superior de la madera haciendo que el disco se salga de la hendidura y salte hacia atrás contra el operario.

Los retrocesos bruscos se deben a un mal uso de la sierra y/o a procedimientos o condiciones de trabajo incorrectos y pueden evitarse tomando las precauciones indicadas abajo.

1. **Sujete la sierra firmemente con ambas manos y posicione los brazos de forma que pueda resistir las fuerzas de un retroceso brusco. Posicione su cuerpo a uno de los costados del disco, pero no en línea con el disco.** Los retrocesos bruscos pueden hacer que la sierra salte hacia atrás, pero las fuerzas de los retrocesos bruscos las puede controlar el operario, si toma las precauciones apropiadas.
  2. **Cuando note que el disco se estanca, o cuando quiera interrumpir un corte por cualquier razón, suelte el gatillo y mantenga la sierra inmóvil en el material hasta que el disco se pare completamente. No intente nunca extraer el disco de la pieza de trabajo o tirar de la sierra hacia atrás mientras el disco está moviéndose porque podrá ocasionar un retroceso brusco.** Investigue y tome medidas correctivas para eliminar la causa del estancamiento del disco.
  3. **Cuando vuelva a poner en marcha la sierra en la pieza de trabajo, centre el disco en la hendidura de forma que los dientes del mismo no estén enganchados en el material.** Si un disco se estanca, podrá saltar o retroceder bruscamente desde la pieza de trabajo al volver a poner en marcha la sierra.
  4. **Apoye los paneles grandes para minimizar el riesgo de que el disco se estanque y retroceda bruscamente.** Los paneles grandes tienden a combarse con su propio peso. Deberá poner apoyos debajo del panel a ambos lados, cerca de la línea de corte y cerca del borde del panel.
- Fig.2
- Fig.3
5. **No utilice discos mellados o dañados.** Los discos desafilados o mal ajustados producen una hendidura estrecha que ocasiona excesiva fricción, estancamiento del disco y retrocesos bruscos.
  6. **Las palancas de bloqueo de los ajustes de profundidad y de bisel del disco deben estar apretadas y sujetadas antes de realizar el corte.** Si el ajuste del disco cambia durante el corte, podrá ocasionar un estancamiento y retroceso brusco.
  7. **Extreme las precauciones cuando sierre en paredes existentes u otras áreas ciegas.** La parte sobresaliente del disco podrá cortar objetos que pueden ocasionar un retroceso brusco.
  8. **Sujete SIEMPRE la herramienta firmemente con ambas manos. No ponga NUNCA sus manos, piernas o cualquier otra parte de su cuerpo debajo de la base de la herramienta o detrás de la sierra, especialmente cuando haga cortes transversales.** Si se produce un retroceso brusco, la sierra podrá saltar fácilmente hacia atrás sobre su mano, causándole graves heridas personales.
- Fig.4

9. **No fuerce nunca la sierra. Empuje la sierra hacia delante a una velocidad a la que el disco corte sin frenarse.** Si fuerza la sierra podrá ocasionar cortes irregulares, pérdida de precisión, y posibles retrocesos bruscos.

#### Función del protector

1. **Compruebe el protector inferior para confirmar que se cierra debidamente antes de cada uso. No utilice la sierra si el protector inferior no se mueve libremente y se cierra instantáneamente. No sujete ni ate nunca el protector inferior en la posición abierta.** Si deja caer accidentalmente la sierra, el protector inferior podrá doblarse. Levante el protector inferior con la manivela retráctil y asegúrese de que se mueve libremente y que no toca el disco o cualquier otra parte, en todos los ángulos y profundidades de corte.
2. **Compruebe la operación del resorte del protector inferior. Si el protector y el resorte no funcionan debidamente, deberán ser servidos antes de la utilización.** El protector inferior podrá funcionar lentamente debido a partes dañadas, sedimentos pegajosos, o una acumulación de residuos.
3. **El protector inferior puede retraerse manualmente sólo para cortes especiales, como "cortes por hundimiento" y "cortes compuestos". Levante el protector inferior con la manivela retráctil y tan pronto como el disco entre en el material, deberá liberar el protector inferior.** Para todos los demás cortes, el protector inferior deberá funcionar automáticamente.
4. **Antes de dejar la sierra en el banco o en el suelo, observe siempre que el protector inferior está cubriendo el disco.** Un disco desprotegido, girando por inercia, hará que la sierra se desplace hacia atrás, cortando todo lo que encuentre a su paso. Tenga presente el tiempo que el disco tarda en pararse después de soltar el interruptor.
5. **Para comprobar el protector inferior, abra el protector inferior con la mano, después suéltelo y observe que se cierra. Compruebe también para asegurarse de que la manivela retráctil no toca la carcasa de la herramienta.** Dejar el disco expuesto es MUY PELIGROSO y puede acarrear heridas personales graves.

#### Advertencias de seguridad adicionales

1. **Preste precaución especial cuando corte madera húmeda, madera tratada a presión, o madera que tenga nudos.** Mantenga uniforme el avance de la herramienta sin que disminuya la velocidad del disco para evitar recalentar los dientes del disco.
2. **No intente retirar material cortado cuando el disco esté moviéndose. Espere hasta que el disco se pare antes de agarrar el material cortado.** Los discos siguen girando por inercia después de apagar la herramienta.
3. **Evite cortar clavos. Inspeccione la madera y quite todos los clavos antes de cortar.**

- Ponga la porción más ancha de la base de la sierra en la parte de la pieza de trabajo que esté sólidamente apoyada, no en la sección que caerá cuando se haga el corte. Si la pieza de trabajo es corta o pequeña, amordácela. **¡NO INTENTE SUJETAR PIEZAS PEQUEÑAS CON LA MANO!**

► Fig.5

- Antes de dejar la herramienta después de completar un corte, asegúrese de que el protector se ha cerrado y que el disco se ha parado completamente.
- No intente nunca serrar con la sierra circular sujeta al revés en un tornillo de banco. Es sumamente peligroso y puede ocasionar graves accidentes.

► Fig.6

- Algunos materiales contienen sustancias químicas que pueden ser tóxicas. Tenga precaución para evitar la inhalación de polvo y el contacto con la piel. Siga los datos de seguridad del abastecedor del material.
- No pare los discos haciendo presión lateral en el disco.
- No utilice ningún disco abrasivo.
- Utilice solamente el disco con el diámetro que hay marcado en la herramienta o especificado en el manual. La utilización de un disco dimensionado incorrectamente puede afectar a la protección del disco o a la operación del protector lo que puede resultar en heridas personales graves.
- Mantenga el disco afilado y limpio. La cola y la resina de madera endurecidas en los discos frenan la sierra y aumentan la posibilidad de que se produzcan retrocesos bruscos. Mantenga el disco limpio desmontándolo primero de la herramienta, y limpiándolo después con un producto para quitar colas y resina, agua caliente o queroseno. No utilice nunca gasolina.
- Póngase máscara y protección para los oídos cuando utilice la herramienta.
- Utilice siempre el disco que ha sido previsto para cortar el material que usted va a cortar.
- Utilice solamente discos que tengan marcada una velocidad igual o mayor que la velocidad marcada en la herramienta.
- (Para países europeos solamente) Utilice siempre el disco que cumpla con EN847-1.

## GUARDE ESTAS INSTRUCCIONES.

**⚠ADVERTENCIA:** NO deje que la comodidad o familiaridad con el producto (a base de utilizarlo repetidamente) sustituya la estricta observancia de las normas de seguridad para el producto en cuestión. El MAL USO o el no seguir las normas de seguridad establecidas en este manual de instrucciones podrá ocasionar graves heridas personales.

## Instrucciones de seguridad importantes para el cartucho de batería

- Antes de utilizar el cartucho de batería, lea todas las instrucciones e indicaciones de precaución sobre (1) el cargador de baterías, (2) la batería, y (3) el producto con el que se utiliza la batería.
- No desarme el cartucho de batería.
- Si el tiempo de uso se acorta demasiado, cese la operación inmediatamente. Podría resultar en un riesgo de recalentamiento, posibles quemaduras e incluso una explosión.
- Si entra electrólito en sus ojos, aclárelos con agua limpia y acuda a un médico inmediatamente. Existe el riesgo de poder perder la vista.
- No cortocircuite el cartucho de batería:
  - No toque los terminales con ningún material conductor.
  - Evite guardar el cartucho de batería en un cajón junto con otros objetos metálicos, como clavos, monedas, etc.
  - No esponga el cartucho de batería al agua ni a la lluvia.

Un cortocircuito en la batería puede producir una gran circulación de corriente, un recalentamiento, posibles quemaduras e incluso una rotura de la misma.
- No guarde la herramienta y el cartucho de batería en lugares donde la temperatura pueda alcanzar o exceder los 50 °C.
- Nunca incinere el cartucho de batería incluso en el caso de que esté dañado seriamente o ya no sirva en absoluto. El cartucho de batería puede explotar si se tira al fuego.
- Tenga cuidado de no dejar caer ni golpear el cartucho de batería.
- No utilice una batería dañada.
- Las baterías de litio-ion contenidas están sujetas a los requisitos de la Legislación para Materiales Peligrosos.
 

Para transportes comerciales, p.ej., por terceras personas y agentes de transportes, se deberán observar requisitos especiales para el empaquetado y etiquetado.

Para la preparación del artículo que se va a enviar, se requiere consultar con un experto en materiales peligrosos. Por favor, observe también la posibilidad de reglamentos nacionales más detallados.

Cubra con cinta aislante o enmascare los contactos expuestos y empaquete la batería de tal manera que no se pueda mover alrededor dentro del embalaje.
- Siga los reglamentos locales referentes al desecho de la batería.
- Utilice las baterías solamente con los productos especificados por Makita. La instalación de las baterías en productos no compatibles puede resultar en un incendio, calor excesivo, explosión, o fuga de electrólito.

## GUARDE ESTAS INSTRUCCIONES.

**⚠PRECAUCIÓN:** Utilice solamente baterías genuinas de Makita. La utilización de baterías no genuinas de Makita, o baterías que han sido alteradas, puede resultar en una explosión de la batería ocasionando incendios, heridas personales y daños. También anulará la garantía de Makita para la herramienta y el cargador de Makita.

## Consejos para alargar al máximo la vida de servicio de la batería

1. Cargue el cartucho de batería antes de que se descargue completamente. Detenga siempre la operación y cargue el cartucho de batería cuando note menos potencia en la herramienta.
2. No cargue nunca un cartucho de batería que esté completamente cargado. La sobrecarga acortará la vida de servicio de la batería.
3. Cargue el cartucho de batería a temperatura ambiente de 10 °C - 40 °C. Si un cartucho de batería está caliente, déjelo enfriar antes de cargarlo.
4. Cargue el cartucho de batería si no lo utiliza durante un periodo de tiempo prolongado (más de seis meses).

## Instrucciones de seguridad importantes para la unidad inalámbrica

1. No desmonte o manipule la unidad inalámbrica.
2. Mantenga la unidad inalámbrica alejada de niños pequeños. Si se ingiere accidentalmente, solicite atención médica inmediatamente.
3. Utilice la unidad inalámbrica solamente con herramientas Makita.
4. No exponga la unidad inalámbrica a la lluvia o a condiciones que se pueda mojar.
5. No utilice la unidad inalámbrica en lugares donde la temperatura exceda los 50 °C.
6. No utilice la unidad inalámbrica en lugares donde se encuentren cerca instrumentos médicos, tales como marcapasos cardíacos.
7. No utilice la unidad inalámbrica en lugares donde se encuentren cerca dispositivos automatizados. Si la utiliza, los dispositivos automatizados podrán desarrollar un mal funcionamiento o error.
8. No utilice la unidad inalámbrica en lugares de temperatura alta o lugares donde se pueda generar electricidad estática o ruido eléctrico.
9. La unidad inalámbrica puede producir campos electromagnéticos (CEM), pero no son perjudiciales para el usuario.
10. La unidad inalámbrica es un instrumento de precisión. Tenga cuidado de no dejar caer o golpear la unidad inalámbrica.
11. Evite tocar el terminal de la unidad inalámbrica con las manos desnudas o materiales metálicos.

12. Retire siempre la batería del producto cuando vaya a instalar la unidad inalámbrica en él.
13. Cuando abra la tapa de la ranura, evite los lugares donde polvo y agua puedan entrar en la ranura. Mantenga siempre limpia la abertura de la ranura.
14. Inserte siempre la unidad inalámbrica en la dirección correcta.
15. No presione el botón de activación inalámbrica en la unidad inalámbrica con fuerza ni presione el botón con un objeto de borde cortante.
16. Cierre siempre la tapa de la ranura cuando esté realizando operaciones.
17. No retire la unidad inalámbrica de la ranura mientras se esté suministrando alimentación a la herramienta. Si lo hace podrá ocasionar un mal funcionamiento de la unidad inalámbrica.
18. No retire la etiqueta adhesiva de la unidad inalámbrica.
19. No ponga ninguna etiqueta adhesiva en la unidad inalámbrica.
20. No deje la unidad inalámbrica en un lugar donde se pueda generar electricidad estática o ruido eléctrico.
21. No deje la unidad inalámbrica en un lugar expuesto a mucho calor, tal como dentro de un automóvil aparcado al sol.
22. No deje la unidad inalámbrica en un lugar polvoriento o polvoroso o en un lugar donde se pueda generar gas corrosivo.
23. Un cambio repentino de la temperatura puede cubrir de rocío la unidad inalámbrica. No utilice la unidad inalámbrica hasta que el rocío se haya secado completamente.
24. Cuando limpie la unidad inalámbrica, frote con cuidado con un paño suave y seco. No utilice benzina, disolvente, grasa conductora o algo similar.
25. Cuando almacene la unidad inalámbrica, manténgala en la funda suministrada o en un contenedor libre de electricidad estática.
26. No inserte ningún dispositivo excepto la unidad inalámbrica de Makita en la ranura de la herramienta.
27. No utilice la herramienta con la tapa de la ranura dañada. Si entra en la ranura agua, polvo o suciedad puede ocasionar un mal funcionamiento.
28. No tire de la tapa de la ranura ni la retuerza más de lo necesario. Vuelva a colocar la tapa si se desprende de la herramienta.
29. Reemplace la tapa de la ranura si se pierde o se daña.

## GUARDE ESTAS INSTRUCCIONES.



## DESCRIPCIÓN DEL FUNCIONAMIENTO

**⚠PRECAUCIÓN:** Asegúrese siempre de que la herramienta está apagada y el cartucho de batería retirado antes de realizar cualquier ajuste o comprobación en la herramienta.

### Instalación o extracción del cartucho de batería

**⚠PRECAUCIÓN:** Apague siempre la herramienta antes de instalar o retirar el cartucho de batería.

**⚠PRECAUCIÓN:** Sujete la herramienta y el cartucho de batería firmemente cuando instale o retire el cartucho de batería. Si no sujeta la herramienta y el cartucho de batería firmemente podrán caérsele de las manos y resultar en daños a la herramienta y al cartucho de batería y heridas personales.

**⚠PRECAUCIÓN:** Baje siempre la base cuando instale/retire las baterías. Tenga cuidado de no pillarse los dedos.

**⚠PRECAUCIÓN:** No utilice el adaptador de batería con la sierra circular. El cable del adaptador de batería podrá obstaculizar la operación y resultar en heridas personales.

► Fig.7: 1. Palanca 2. Indicador rojo 3. Botón 4. Cartucho de batería

Antes de retirar el cartucho de batería, afloje la palanca de ajuste de profundidad para bajar la base de la herramienta. Después deslice la batería de la herramienta mientras desliza el botón de la parte frontal del cartucho.

Para instalar el cartucho de batería, alinee la lengüeta del cartucho de batería con la ranura de la carcasa y deslícelo hasta que encaje en su sitio. Insértelo a tope hasta que se bloquee en su sitio produciendo un pequeño chasquido. Si puede ver el indicador rojo en el lado superior del botón, no estará bloqueado completamente.

**⚠PRECAUCIÓN:** Instale siempre el cartucho de batería completamente hasta que no pueda verse el indicador rojo. En caso contrario, podrá caerse accidentalmente de la herramienta y ocasionarle heridas a usted o a alguien que esté cerca de usted.

**⚠PRECAUCIÓN:** No instale el cartucho de batería empleando fuerza. Si el cartucho no se desliza al interior fácilmente, será porque no está siendo insertado correctamente.

**NOTA:** La herramienta no funciona con un cartucho de batería solamente.

## Sistema de protección de la herramienta / batería

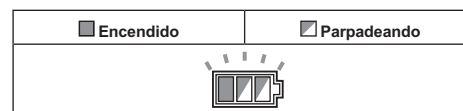
La herramienta está equipada con un sistema de protección de la herramienta/batería. Este sistema corta automáticamente la alimentación del motor para alargar la vida útil de la herramienta y la batería. La herramienta se detendrá automáticamente durante la operación si la herramienta o la batería es puesta en una de las condiciones siguientes. En algunas condiciones, los indicadores se iluminan.

### Protección contra sobrecarga

Quando la herramienta sea operada de una manera que le haga absorber una corriente anormalmente alta, la herramienta se detendrá automáticamente. En esta situación, apague la herramienta y detenga la tarea que ocasiona la sobrecarga de la herramienta. Después encienda la herramienta para volver a empezar.

### Protección contra el recalentamiento

Quando la herramienta se recalienta, se detiene automáticamente, y el indicador de batería parpadea unos 60 segundos. En esta situación, deje que la herramienta se enfríe antes de encenderla otra vez.



### Protección contra descarga excesiva

Quando la capacidad de la batería sea baja, la herramienta se detendrá automáticamente. Si el producto no funciona aun cuando los interruptores sean accionados, retire las baterías de la herramienta y cárguelas.

## Modo de indicar la capacidad de batería restante

► Fig.8: 1. Indicador de batería 2. Botón de comprobación

Presione el botón de comprobación para indicar las capacidades de batería restantes. Los indicadores de batería corresponden a cada batería.

Estado del indicador de batería			Capacidad de batería restante
<input checked="" type="checkbox"/> Encendido	<input type="checkbox"/> Apagado	<input checked="" type="checkbox"/> Parpadeando	
			50% a 100%
			20% a 50%
			0% a 20%
			Cargue la batería

## Modo de indicar la capacidad de batería restante

**Solamente para cartuchos de batería con el indicador**

► Fig.9: 1. Lámparas indicadoras 2. Botón de comprobación

Presione el botón de comprobación en el cartucho de batería para indicar la capacidad de batería restante. Las lámparas indicadoras se iluminan durante unos pocos segundos.

Lámparas indicadoras			Capacidad restante
Iluminada	Apagada	Parpadeando	
■	□	◐	75% a 100%
■	■	□	
■	■	□	
■	□	□	50% a 75%
■	□	□	25% a 50%
■	□	□	0% a 25%
◐	□	□	Cargue la batería.
■	■	□	Puede que la batería no esté funcionando bien.
□	□	■	

**NOTA:** Dependiendo de las condiciones de utilización y de la temperatura ambiente, la indicación podrá variar ligeramente de la capacidad real.

## Accionamiento del interruptor

**ADVERTENCIA:** Antes de insertar el cartucho de batería en la herramienta, compruebe siempre para cerciorarse de que el gatillo interruptor se acciona debidamente y que vuelve a la posición "OFF" cuando lo suelta.

**ADVERTENCIA:** No anule NUNCA la función del botón de desbloqueo sujetándolo con cinta adhesiva o alguna otra manera. Un interruptor con un botón de desbloqueo anulado puede resultar en una puesta en marcha involuntaria y a heridas personales graves.

**ADVERTENCIA:** No utilice NUNCA la herramienta si se pone en marcha cuando usted simplemente aprieta el gatillo interruptor sin presionar el botón de desbloqueo. Un interruptor con necesidad de reparación puede resultar en una puesta en marcha involuntaria y a heridas personales graves. Lleve la herramienta a un centro de servicio Makita para que le hagan las reparaciones apropiadas ANTES de seguir utilizándola.

Para evitar que el gatillo pueda accionarse accidentalmente, se ha provisto un botón de desbloqueo. Para poner en marcha la herramienta, presione hacia dentro el botón de desbloqueo y apriete el gatillo interruptor. Suelte el gatillo interruptor para parar.

► Fig.10: 1. Gatillo interruptor 2. Botón de desbloqueo

**AVISO:** No apriete con fuerza el gatillo interruptor sin presionar hacia dentro el botón de desbloqueo. Podría romper el interruptor.

**PRECAUCIÓN:** La herramienta comenzará a frenar el giro del disco de sierra circular inmediatamente después de que libere el gatillo interruptor. Sujete la herramienta firmemente para responder a la reacción del freno cuando libere el gatillo interruptor. La reacción repentina puede hacer caer la herramienta de su mano y ocasionar heridas personales.

## Función de cambio automático de velocidad

Esta herramienta tiene "modo de velocidad alta" y "modo de par alto".

La herramienta cambia automáticamente el modo de operación dependiendo de la carga de trabajo. Cuando la carga de trabajo sea baja, la herramienta funcionará en "modo de velocidad alta" para una operación de corte más rápida. Cuando la carga de trabajo sea alta, la herramienta funcionará en "modo de par alto" para una operación de corte potente.

► Fig.11: 1. Indicador de modo

El indicador de modo se ilumina en verde cuando la herramienta está funcionando en "modo de par alto". Si la herramienta es operada con demasiada carga, el indicador de modo parpadeará en verde. El indicador de modo dejará de parpadear y después se encenderá o se apagará si usted reduce la carga aplicada a la herramienta.

Estado del indicador de modo			Modo de operación
Encendido	Apagado	Parpadeando	
●	○	◐	Modo de velocidad alta
●	○	○	Modo de par alto
●	○	◐	Alerta de sobrecarga

## Ajuste de la profundidad de corte

**PRECAUCIÓN:** Después de ajustar la profundidad de corte, apriete siempre la palanca firmemente.

Aloje la palanca de la guía de profundidad y mueva la base hacia arriba o abajo. En la profundidad de corte deseada, fije la base apretando la palanca. Para obtener cortes más limpios y seguros, ajuste la profundidad de corte de forma que no sobresalga más de un diente del disco por debajo de la pieza de trabajo. La utilización de una profundidad de corte apropiada ayuda a reducir la posibilidad de que se produzcan peligrosos RETROCESOS BRUSCOS que pueden ocasionar heridas personales.

► Fig.12: 1. Palanca

## Corte en bisel

**PRECAUCIÓN:** Después de ajustar el ángulo de bisel, apriete siempre los tornillos de fijación firmemente.

Afloje los tornillos de fijación. Ajuste el ángulo deseado inclinando según corresponda, después apriete los tornillos de fijación firmemente.

► Fig.13: 1. Tornillo de fijación

Utilice el tope cuando haga un corte de precisión en ángulo de 45°. Gire completamente el tope como se muestra en la ilustración dependiendo del corte en bisel a 0° - 45° o corte en bisel a 0° - 48°.

► Fig.14: 1. Tope

## Guía visual

Para cortes rectos, alinee la posición 0° de la parte delantera de la base con la línea de corte. Para cortes en bisel a 45°, alinee la posición 45° con la misma.

► Fig.15: 1. Línea de corte (posición 0°) 2. Línea de corte (posición 45°)

## Encendido de la lámpara

**PRECAUCIÓN:** No mire a la luz ni vea la fuente de luz directamente.

Para encender la lámpara sin poner en marcha la herramienta, apriete el gatillo interruptor sin presionar el botón de desbloqueo.

Para encender la lámpara con la herramienta en marcha, mantenga presionado el botón de desbloqueo y apriete el gatillo interruptor.

La lámpara se apagará 10 segundos después de soltar el gatillo interruptor.

► Fig.16: 1. Lámpara

**NOTA:** Utilice un paño seco para quitar la suciedad de la lente de la lámpara. Tenga cuidado de no rayar la lente de la lámpara, porque podrá disminuir la iluminación.

## Gancho

### Accesorios opcionales

**PRECAUCIÓN:** Retire siempre la batería cuando cuelgue la herramienta con el gancho.

**PRECAUCIÓN:** No cuelgue nunca la herramienta en lugares altos o encima de superficies donde la herramienta pueda perder el equilibrio y caerse.

**PRECAUCIÓN:** No tire de la herramienta hacia abajo cuando esté colgada.

El gancho resulta útil para colgar la herramienta temporalmente.

► Fig.17

Coloque el gancho con los tornillos como se muestra en la ilustración.

► Fig.18: 1. Gancho 2. Tornillo

Para utilizar el gancho, simplemente gire el gancho hasta que encaje con un chasquido en la posición abierta.

Cuando no se esté utilizando, gire siempre el gancho hasta que encaje con un chasquido en la posición cerrada.

► Fig.19: 1. Posición abierta 2. Posición cerrada

## Freno eléctrico

Esta herramienta está equipada con un freno de disco eléctrico. Si la herramienta consistentemente deja de parar rápidamente el disco de sierra circular después de soltar la palanca interruptor, haga que la herramienta sea servida en un centro de servicio Makita.

**PRECAUCIÓN:** El sistema de freno de disco no es un sustituto para el protector de disco. **NO UTILICE NUNCA LA HERRAMIENTA SIN UN PROTECTOR DE DISCO QUE FUNCIONE BIEN. PODRÁ RESULTAR EN HERIDAS PERSONALES GRAVES.**

## Función electrónica

Las herramientas equipadas con función electrónica son fáciles de utilizar gracias a la(s) característica(s) siguiente(s).

### Característica de inicio suave

Inicio suave gracias a la supresión del golpe de arranque.

## MONTAJE

**PRECAUCIÓN:** Asegúrese siempre de que la herramienta está apagada y el cartucho de batería retirado antes de realizar cualquier trabajo en la herramienta.

## Para guardar la llave hexagonal

Cuando no la esté utilizando, coloque la llave hexagonal como se muestra en la figura para evitar perderla.

► Fig.20: 1. Llave hexagonal

## Desmontaje o instalación del disco de sierra circular

**PRECAUCIÓN:** Asegúrese de que el disco de sierra circular está instalado con los dientes orientados hacia arriba en la parte delantera de la herramienta.

**PRECAUCIÓN:** Utilice solamente la llave Makita para instalar o retirar el disco de sierra circular.

Para retirar el disco de sierra circular, presione el bloqueo del eje completamente de forma que el disco de sierra circular no pueda girar y utilice la llave hexagonal para aflojar el perno hexagonal. Después retire el perno hexagonal, la brida exterior, el disco de sierra circular y el anillo (específico para cada país).

► Fig.21: 1. Bloqueo del eje 2. Llave hexagonal 3. Aflojar 4. Apretar

### Para herramienta sin el anillo

► Fig.22: 1. Perno hexagonal 2. Brida exterior 3. Disco de sierra circular 4. Brida interior

### Para herramienta con el anillo

► Fig.23: 1. Perno hexagonal 2. Brida exterior 3. Disco de sierra circular 4. Anillo 5. Brida interior

Para instalar el disco de sierra circular, siga el procedimiento de desmontaje a la inversa.

## Para herramienta con la brida interior para disco con diámetro de agujero distinto de 15,88 mm

La brida interior tiene un saliente de cierto diámetro en una cara y un saliente de diámetro diferente en la otra cara. Elija la cara correcta cuyo saliente encaje perfectamente en el agujero del disco. Monte la brida interior en el eje de montaje de forma que la cara correcta del saliente de la brida interior quede orientada hacia afuera y después coloque el disco y la brida exterior.

► **Fig.24:** 1. Eje de montaje 2. Brida interior 3. Disco de sierra circular 4. Brida exterior 5. Perno hexagonal

**⚠ADVERTENCIA: ASEGÚRESE DE APRETAR EL PERNO HEXAGONAL HACIA LA DERECHA FIRMEMENTE.** Tenga cuidado de no apretar el perno empleando fuerza. Si su mano de desliza de la llave hexagonal puede ocasionar heridas personales.

**⚠ADVERTENCIA: Asegúrese de que el saliente "a" de la brida interior que está posicionado hacia afuera encaja en el agujero del disco "a" perfectamente.** Montar el disco en la cara incorrecta puede resultar en una vibración peligrosa.

## Para herramienta con la brida interior para disco con diámetro de agujero de 15,88 mm (específico para cada país)

Monte la brida interior con su cara hundida orientada hacia afuera en el eje de montaje y después coloque el disco (con el anillo colocado si es necesario), la brida exterior y el perno hexagonal.

### Para herramienta sin el anillo

► **Fig.25:** 1. Eje de montaje 2. Brida interior 3. Disco de sierra circular 4. Brida exterior 5. Perno hexagonal

### Para herramienta con el anillo

► **Fig.26:** 1. Eje de montaje 2. Brida interior 3. Disco de sierra circular 4. Brida exterior 5. Perno hexagonal 6. Anillo

**⚠ADVERTENCIA: ASEGÚRESE DE APRETAR EL PERNO HEXAGONAL HACIA LA DERECHA FIRMEMENTE.** Tenga cuidado de no apretar el perno empleando fuerza. Si su mano de desliza de la llave hexagonal puede ocasionar heridas personales.

**⚠ADVERTENCIA: Si se necesita el anillo para montar el disco en el eje, asegúrese siempre de que el anillo correcto para el agujero de eje del disco que piensa utilizar está instalado entre las bridas interior y exterior.** La utilización de un anillo para agujero de eje incorrecto puede resultar en un montaje incorrecto del disco ocasionando un movimiento del disco y vibración fuerte resultando en una posible pérdida de control durante la operación y en heridas personales graves.

## Limpeza del protector de disco

Cuando vaya a cambiar el disco de sierra circular, asegúrese también de limpiar el serrín acumulado en los protectores superior e inferior como se indica en la sección de mantenimiento. Esta tarea no exime de la necesidad de comprobar la operación del protector inferior antes de cada uso.

## Conexión de un aspirador

Cuando quiera realizar una operación de corte limpia, conecte un aspirador Makita a su herramienta. Conecte una manguera del aspirador a la boquilla de polvo como se muestra en la figura.

► **Fig.27:** 1. Boquilla de polvo 2. Tornillo

► **Fig.28:** 1. Manguera 2. Aspirador

## OPERACIÓN

Esta herramienta ha sido prevista para cortar productos de madera. Con discos de sierra circular genuinos de Makita apropiados, también se pueden serrar los materiales siguientes:

- Productos de aluminio

Consulte nuestro sitio web o póngase en contacto con el distribuidor Makita local para ver los discos de sierra circular correctos que hay que utilizar para el material que se va a cortar.

## Comprobación de la función del protector de disco

Ajuste el ángulo de bisel a 0°, y después retraiga el protector inferior manualmente hasta el final y después libérela. El protector inferior estará funcionando debidamente si;

— se retrae por encima de la base sin ningún impedimento y;

— retorna automáticamente y hace contacto con el tope.

► **Fig.29:** 1. Protector superior 2. Protector inferior 3. Base 4. Tope 5. Abrir 6. Cerrar

Si el protector inferior no está funcionando debidamente, compruebe si se ha acumulado serrín polvo dentro de los protectores superior e inferior. Si el protector inferior no está funcionando debidamente después de retirar el polvo, haga que la herramienta sea servida en un centro de servicio Makita.

## Operación de corte

**⚠PRECAUCIÓN: Póngase máscara contra el polvo cuando realice una operación de corte.**

**⚠PRECAUCIÓN: Asegúrese de mover la herramienta hacia delante en línea recta y suavemente.** Forzar o torcer la herramienta resultará en recalentamiento del motor y un peligroso retroceso brusco, causando posiblemente graves heridas.

**NOTA:** Cuando la temperatura del cartucho de batería sea baja, es posible que la herramienta no funcione a su plena capacidad. En este momento, por ejemplo, utilice la herramienta para un corte ligero durante un rato hasta que el cartucho de batería se caliente a una temperatura tan alta como la temperatura ambiente. Después, la herramienta funcionará a su plena capacidad.

► Fig.30

Sujete la herramienta firmemente. La herramienta está provista de empuñadura delantera y mango trasero. Utilice ambos para sujetar mejor la herramienta. Si ambas manos están sujetando la sierra, no habrá peligro de que el disco de sierra circular las corte. Coloque la base sobre la pieza de trabajo a cortar sin el disco de sierra circular haciendo contacto alguno. Después encienda la herramienta y espere hasta que el disco de sierra circular adquiera plena velocidad. Ahora simplemente mueva la herramienta hacia delante sobre la superficie de la pieza de trabajo, manteniéndola plana y avanzando suavemente hasta completar el corte. Para obtener cortes limpios, mantenga la línea de corte recta y la velocidad de avance uniforme. Si se desvía de la línea de corte prevista, no intente girar o forzar la herramienta de vuelta a la línea de corte. Esta acción podrá inmovilizar el disco de sierra circular y ocasionar un peligroso retroceso brusco y posibles heridas graves. Suelte el interruptor, espere hasta que el disco de sierra circular se pare y después retire la herramienta. Realinee la herramienta en una nueva línea de corte, y comience el corte de nuevo. Intente evitar posturas que expongan al operario a las virutas y el serrín que sale expulsado de la sierra. Utilice protección para los ojos para ayudar a evitar heridas.

### Guía lateral (Regla guía)

**⚠PRECAUCIÓN:** Asegúrese de que la guía lateral está instalada firmemente en la posición correcta antes de utilizar. Una colocación incorrecta puede ocasionar un peligroso retroceso brusco.

► Fig.31: 1. Guía lateral (Regla guía) 2. Tornillo de fijación

La útil guía lateral le permite hacer cortes rectos extra-precisos. Simplemente deslice la guía lateral hasta ajustarla bien contra el costado de la pieza de trabajo y sujétela en posición con el tornillo de la parte delantera de la base. Con ella también se pueden hacer cortes repetidos de anchura uniforme.

### Riel guía

#### Accesorios opcionales

Coloque la herramienta en el extremo trasero del riel guía. Gire dos tornillos de ajuste de la base de la herramienta de forma que la herramienta se deslice suavemente sin traqueteo. Sujete firmemente la empuñadura delantera y la empuñadura trasera de la herramienta. Encienda la herramienta y corte el protector anti-astillas en toda su longitud de una sola pasada. Ahora el borde del protector anti-astillas corresponde con el borde de corte.

► Fig.32: 1. Tornillos de ajuste

Cuando haga un corte en bisel con el riel guía, utilice la palanca deslizable para evitar que la herramienta se caiga.

Mueva la palanca deslizable de la base de la herramienta en la dirección de la flecha de forma que se acople en la ranura rebajada en el riel guía.

► Fig.33: 1. Palanca deslizable

### Conexión del acollador (correa de amarre)

#### ⚠Advertencias de seguridad específicas para utilización en altura

Lea todas las advertencias de seguridad e instrucciones. Si no sigue las advertencias e instrucciones podrá resultar en heridas graves.

1. Mantenga siempre atada la herramienta cuando trabaje "en altura". La longitud máxima del acollador es de 2 m.
2. Utilice solamente con acolladores apropiados para este tipo de herramienta y con capacidad para al menos 6,0 kg (13,3 lbs).
3. No amarre el acollador de la herramienta a ninguna parte de su cuerpo ni a componentes móviles. Amarre el acollador de la herramienta a una estructura rígida que pueda soportar las fuerzas de una herramienta que se caiga.
4. Asegúrese de que el acollador está sujeto debidamente en cada extremo antes de utilizar.
5. Inspeccione la herramienta y el acollador antes de cada utilización por si están dañados y comprobar que funcionan correctamente (incluidos el tejido y la costura). No los utilice si están dañados o no funcionan debidamente.
6. No enrolle los acolladores ni permita que entren en contacto con bordes cortantes o ásperos.
7. Amarre el otro extremo del acollador fuera del área de trabajo de forma que si la herramienta se cae sea sujeta firmemente.
8. Sujete el acollador de forma que si la herramienta se cae lo haga alejándose del operario. Las herramientas dejadas caer se balancearán en el acollador, lo que podrá ocasionar heridas o pérdida del equilibrio.
9. No utilice cerca de partes en movimiento o maquinaria en marcha. De lo contrario, podrá resultar en un riesgo de aplastamiento o enredo.
10. No transporte la herramienta cogiéndola por el dispositivo de sujeción o el acollador.
11. Transfiera la herramienta entre sus manos solamente mientras se encuentre equilibrado debidamente.
12. No sujete los acolladores a la herramienta de una manera que impidan a los protectores, interruptores o bloqueos funcionar debidamente.
13. Evite enredarse en el acollador.
14. Mantenga el acollador alejado del área de corte de la herramienta.
15. Utilice mosquetones de tipo acción múltiple y de tipo con cierre de rosca. No utilice mosquetones con pestillo de resorte de acción simple.
16. En el caso de que la herramienta se caiga, se deberá etiquetar y poner fuera de servicio, y deberá ser inspeccionada en una fábrica Makita o en un centro de servicio autorizado.

► Fig.34: 1. Orificio para acollador (correa de amarre)

## FUNCIÓN DE ACTIVACIÓN INALÁMBRICA

Para DHS783 solamente

### Lo que puede hacer con la función de activación inalámbrica

La función de activación inalámbrica permite realizar una operación limpia y cómoda. Conectando un aspirador compatible a la herramienta, puede poner en marcha automáticamente el aspirador junto con la operación del interruptor de la herramienta.

► Fig.35

Para utilizar la función de activación inalámbrica, prepare los elementos siguientes:

- Una unidad inalámbrica (accesorio opcional)
- Un aspirador compatible con la función de activación inalámbrica

El resumen del ajuste de la función de activación inalámbrica es como sigue. Consulte cada sección para ver los procedimientos en detalle.

1. Instalación de la unidad inalámbrica
2. Registro de herramienta para el aspirador
3. Inicio de la función de activación inalámbrica

### Instalación de la unidad inalámbrica

#### Accesorios opcionales

**⚠PRECAUCIÓN:** Ponga la herramienta sobre una superficie plana y estable cuando instale la unidad inalámbrica.

**AVISO:** Limpie el polvo y la suciedad de la herramienta antes de instalar la unidad inalámbrica. El polvo o la suciedad puede ocasionar un mal funcionamiento si entra en la ranura de la unidad inalámbrica.

**AVISO:** Para evitar el mal funcionamiento causado por la electricidad estática, toque un material en el que descarga la electricidad estática, tal como una parte metálica de la herramienta, antes de coger la unidad inalámbrica.

**AVISO:** Cuando instale la unidad inalámbrica, asegúrese siempre de que la unidad inalámbrica está insertada en la dirección correcta y que la tapa está completamente cerrada.

1. Abra la tapa de la herramienta como se muestra en la figura.  
► Fig.36: 1. Tapa

2. Inserte la unidad inalámbrica en la ranura y después cierre la tapa.

Cuando inserte la unidad inalámbrica, alinee los salientes con las porciones embutidas de la ranura.

- Fig.37: 1. Unidad inalámbrica 2. Saliente 3. Tapa 4. Porción embutida

Cuando retire la unidad inalámbrica, abra la tapa despacio. Los ganchos de la parte trasera de la tapa alzarán la unidad inalámbrica a medida que usted levanta la tapa.

- Fig.38: 1. Unidad inalámbrica 2. Gancho 3. Tapa

Después de retirar la unidad inalámbrica, manténgala dentro de la funda suministrada o en un contenedor libre de electricidad estática.

**AVISO:** Utilice siempre los ganchos de la parte trasera de la tapa cuando retire la unidad inalámbrica. Si los ganchos no agarran la unidad inalámbrica, cierre la tapa completamente y ábrala despacio otra vez.

### Registro de herramienta para el aspirador

**NOTA:** Para el registro de herramienta se requiere un aspirador Makita compatible con la función de activación inalámbrica.

**NOTA:** Termine de instalar la unidad inalámbrica en la herramienta antes de comenzar el registro de herramienta.

**NOTA:** Durante el registro de herramienta, no apriete el gatillo interruptor o active el interruptor de alimentación del aspirador.

**NOTA:** Consulte el manual de instrucciones del aspirador, también.

Si desea activar el aspirador junto con la operación del interruptor de la herramienta, termine el registro de herramienta de antemano.

1. Instale las baterías en el aspirador y la herramienta.
2. Ajuste el interruptor de espera del aspirador a "AUTO".  
► Fig.39: 1. Interruptor de espera

3. Presione el botón de activación inalámbrica en el aspirador durante 3 segundos hasta que la lámpara de activación inalámbrica parpadee en verde. Y después presione el botón de activación inalámbrica en la herramienta de la misma manera.

- Fig.40: 1. Botón de activación inalámbrica  
2. Lámpara de activación inalámbrica

Si el aspirador y la herramienta están vinculados correctamente, las lámparas de activación inalámbrica se iluminarán en verde durante 2 segundos y comenzarán a parpadear en azul.

**NOTA:** Las lámparas de activación inalámbrica dejarán de parpadear en verde después de transcurrir 20 segundos. Presione el botón de activación inalámbrica en la herramienta mientras la lámpara de activación inalámbrica en la aspiradora está parpadeando. Si la lámpara de activación inalámbrica no parpadea en verde, presione el botón de activación inalámbrica brevemente y manténgalo presionado otra vez.

**NOTA:** Cuando realice dos o más registros de herramienta para un aspirador, termine el registro de herramienta de uno en uno.

### Inicio de la función de activación inalámbrica

**NOTA:** Termine el registro de herramienta para el aspirador antes de la activación inalámbrica.

**NOTA:** Consulte el manual de instrucciones del aspirador, también.

Después de registrar una herramienta en el aspirador, el aspirador se pondrá en marcha automáticamente junto con la operación del interruptor de la herramienta.

1. Instale la unidad inalámbrica en la herramienta.
2. Conecte la manguera del aspirador a la herramienta.

► Fig.41

3. Ajuste el interruptor de espera del aspirador a "AUTO".

► **Fig.42:** 1. Interruptor de espera

4. Presione el botón de activación inalámbrica en la herramienta brevemente. La lámpara de activación inalámbrica parpadeará en azul.

► **Fig.43:** 1. Botón de activación inalámbrica  
2. Lámpara de activación inalámbrica

5. Apriete el gatillo interruptor de la herramienta. Compruebe si el aspirador se pone en marcha mientras el gatillo interruptor está siendo apretado.

Para detener la activación inalámbrica del aspirador, presione el botón de activación inalámbrica en la herramienta.

**NOTA:** La lámpara de activación inalámbrica en la herramienta dejará de parpadear en azul cuando no se realice ninguna operación durante 2 horas. En este caso, ajuste el interruptor de espera del aspirador a "AUTO" y presione el botón de activación inalámbrica en la herramienta otra vez.

**NOTA:** El aspirador se pone en marcha/se detiene con una demora. Hay un lapso de tiempo cuando el aspirador detecta una operación del interruptor de la herramienta.










**NOTA:** La distancia de transmisión de la unidad inalámbrica puede variar dependiendo de la ubicación y las circunstancias circundantes.

**NOTA:** Cuando haya registradas dos o más herramientas en un aspirador, el aspirador podrá ponerse en marcha aunque usted no apriete el gatillo interruptor porque otro usuario está utilizando la función de activación inalámbrica.

## Descripción del estado de la lámpara de activación inalámbrica

► **Fig.44:** 1. Lámpara de activación inalámbrica

La lámpara de activación inalámbrica muestra el estado de la función de activación inalámbrica. Consulte la tabla de abajo para ver el significado del estado de la lámpara.

Estado	Lámpara de activación inalámbrica			Descripción
	Color	Encendida 	Parpadeando 	
En espera	Azul		2 horas	La activación inalámbrica del aspirador está disponible. La lámpara se apagará automáticamente cuando no se realice ninguna operación durante 2 horas.
			Cuando la herramienta está en marcha.	La activación inalámbrica del aspirador está disponible y la herramienta está en marcha.
Registro de herramienta	Verde		20 segundos	Preparada para el registro de herramienta. Esperando para el registro en el aspirador.
			2 segundos	El registro de herramienta ha terminado. La lámpara de activación inalámbrica comenzará a parpadear en azul.
Cancelación del registro de herramienta	Rojo		20 segundos	Preparada para la cancelación del registro de herramienta. Esperando para la cancelación en el aspirador.
			2 segundos	La cancelación del registro de herramienta ha terminado. La lámpara de activación inalámbrica comenzará a parpadear en azul.
Otros	Rojo		3 segundos	La alimentación se suministra a la unidad inalámbrica y la función de activación inalámbrica se está poniendo en marcha.
	Apagada	-	-	La activación inalámbrica del aspirador está detenida.

## Cancelación del registro de herramienta para el aspirador

Realice el procedimiento siguiente cuando vaya a cancelar el registro de herramienta para el aspirador.

1. Instale las baterías en el aspirador y la herramienta.

2. Ajuste el interruptor de espera del aspirador a "AUTO".

► **Fig.45:** 1. Interruptor de espera

3. Presione el botón de activación inalámbrica en el aspirador durante 6 segundos. La lámpara de activación inalámbrica parpadea en verde y después se vuelve roja. Después de esto, presione el botón de activación inalámbrica en la herramienta de la misma manera.

► **Fig.46:** 1. Botón de activación inalámbrica  
2. Lámpara de activación inalámbrica

Si la cancelación se realiza correctamente, las lámparas de activación inalámbrica se iluminarán en rojo durante 2 segundos y comenzarán a parpadear en azul.

**NOTA:** Las lámparas de activación inalámbrica dejarán de parpadear en rojo después de transcurrir 20 segundos. Presione el botón de activación inalámbrica en la herramienta mientras la lámpara de activación inalámbrica en la aspiradora está parpadeando. Si la lámpara de activación inalámbrica no parpadea en rojo, presione el botón de activación inalámbrica brevemente y manténgalo presionado otra vez.

## Solución de problemas para la función de activación inalámbrica

Antes de solicitar reparaciones, realice su propia inspección en primer lugar. Si encuentra un problema que no está explicado en el manual, no intente desmontar la herramienta. En su lugar, pregunte en los centros de servicio autorizados Makita, utilizando siempre piezas de recambio Makita para las reparaciones.

Estado de anomalía	Causa probable (mal funcionamiento)	Remedio
La lámpara de activación inalámbrica no se ilumina/parpadea.	La unidad inalámbrica no está instalada en la herramienta. La unidad inalámbrica está instalada incorrectamente en la herramienta.	Instale la unidad inalámbrica correctamente.
	El terminal de la unidad inalámbrica y/o la ranura están sucios.	Retire con cuidado el polvo y la suciedad del terminal de la unidad inalámbrica y limpie la ranura.
	El botón de activación inalámbrica en la herramienta no ha sido presionado.	Presione el botón de activación inalámbrica en la herramienta brevemente.
	El interruptor de espera del aspirador no está ajustado a "AUTO".	Ajuste el interruptor de espera del aspirador a "AUTO".
	No se está suministrando alimentación.	Suministre alimentación a la herramienta y al aspirador.
No se puede terminar el registro de herramienta / cancelación del registro de herramienta correctamente.	La unidad inalámbrica no está instalada en la herramienta. La unidad inalámbrica está instalada incorrectamente en la herramienta.	Instale la unidad inalámbrica correctamente.
	El terminal de la unidad inalámbrica y/o la ranura están sucios.	Retire con cuidado el polvo y la suciedad del terminal de la unidad inalámbrica y limpie la ranura.
	El interruptor de espera del aspirador no está ajustado a "AUTO".	Ajuste el interruptor de espera del aspirador a "AUTO".
	No se está suministrando alimentación.	Suministre alimentación a la herramienta y al aspirador.
	Operación incorrecta	Presione el botón de activación inalámbrica brevemente y realice los procedimientos de registro/cancelación de herramienta otra vez.
	La herramienta y el aspirador están alejados uno del otro (fuera del rango de transmisión).	Ponga la herramienta y el aspirador más cerca uno del otro. La distancia de transmisión es de aproximadamente 10 m, sin embargo, podrá variar de acuerdo con las circunstancias.
	Antes de terminar el registro/cancelación de herramienta; - el gatillo interruptor de la herramienta está apretado o; - el botón de alimentación del aspirador está activado.	Presione el botón de activación inalámbrica brevemente y realice los procedimientos de registro/cancelación de herramienta otra vez.
	Los procedimientos de registro de herramienta para la herramienta o el aspirador no han terminado.	Realice los procedimientos de registro de herramienta para la herramienta y el aspirador en el mismo momento.
Interferencia de radio de otros aparatos que generan ondas de radio de alta intensidad.	Mantenga la herramienta y el aspirador alejados de aparatos tales como dispositivos Wi-Fi y hornos de microondas.	



Estado de anomalía	Causa probable (mal funcionamiento)	Remedio
El aspirador no se pone en marcha junto con la operación del interruptor de la herramienta.	La unidad inalámbrica no está instalada en la herramienta. La unidad inalámbrica está instalada incorrectamente en la herramienta.	Instale la unidad inalámbrica correctamente.
	El terminal de la unidad inalámbrica y/o la ranura están sucios.	Retire con cuidado el polvo y la suciedad del terminal de la unidad inalámbrica y limpie la ranura.
	El botón de activación inalámbrica en la herramienta no ha sido presionado.	Presione el botón de activación inalámbrica brevemente y asegúrese de que la lámpara de activación inalámbrica está parpadeando en azul.
	El interruptor de espera del aspirador no está ajustado a "AUTO".	Ajuste el interruptor de espera del aspirador a "AUTO".
	Hay más de 10 herramientas registradas en el aspirador.	Realice el registro de herramienta otra vez. Si hay más de 10 herramientas registradas en el aspirador, la herramienta que más tiempo lleve registrada se cancelará automáticamente.
	El aspirador borró todos los registros de herramienta.	Realice el registro de herramienta otra vez.
	No se está suministrando alimentación.	Suministre alimentación a la herramienta y al aspirador.
	La herramienta y el aspirador están alejados uno del otro (fuera del rango de transmisión).	Ponga la herramienta y el aspirador más cerca uno del otro. La distancia de transmisión es de aproximadamente 10 m, sin embargo, podrá variar de acuerdo con las circunstancias.
	Interferencia de radio de otros aparatos que generan ondas de radio de alta intensidad.	Mantenga la herramienta y el aspirador alejados de aparatos tales como dispositivos Wi-Fi y hornos de microondas.
El aspirador se pone en marcha mientras el gatillo interruptor de la herramienta no está apretado.	Otros usuarios están utilizando la activación inalámbrica del aspirador con sus herramientas.	Desactive el botón de activación inalámbrica de las otras herramientas o cancele el registro de herramienta de las otras herramientas.

## MANTENIMIENTO

**⚠PRECAUCIÓN:** Asegúrese siempre de que la herramienta está apagada y de que el cartucho de batería está retirado antes de intentar hacer una inspección o mantenimiento.

**⚠PRECAUCIÓN:** Limpie los protectores superior e inferior para asegurarse de que no hay serrín acumulado que pueda impedir la operación del sistema de protección inferior. Un sistema de protección sucio puede limitar la protección apropiada lo que puede resultar en heridas personales graves. La forma más eficaz de lograr esta limpieza es con aire comprimido. Si el polvo está siendo soplado hacia fuera de los protectores asegúrese de utilizar la protección de ojos y respiratoria apropiada.

**⚠PRECAUCIÓN:** Después de cada utilización, retire el serrín de la herramienta con un paño. El serrín fino puede entrar en la herramienta y ocasionar un mal funcionamiento o un incendio.

**AVISO:** No utilice nunca gasolina, bencina, disolvente, alcohol o similares. Podría producir descoloración, deformación o grietas.

Para mantener la SEGURIDAD y FIABILIDAD del producto, las reparaciones, y cualquier otra tarea de mantenimiento o ajuste deberán ser realizadas en centros de servicio o de fábrica autorizados por Makita, empleando siempre repuestos Makita.

## Ajuste de la precisión de corte a 0° o 45°

Este ajuste ha sido hecho en fábrica. Pero si está desalineado, usted puede ajustarlo utilizando el procedimiento siguiente.

1. Afloje los tornillos de fijación de las partes delantera y trasera de la herramienta de forma que el ángulo de bisel se pueda cambiar. Ajuste el tope en la posición de ángulo de bisel de 0° - 45° si va a ajustar la precisión de corte a 45°.

► Fig.47: 1. Tope

2. Ponga la base perpendicular o a 45° con respecto al disco de sierra circular utilizando una escuadra girando el tornillo de ajuste con una llave hexagonal. También puede utilizar un cartabón para ajustar el ángulo a 0°.

► Fig.48: 1. Escuadra

► Fig.49: 1. Tornillo de ajuste para ángulo a 0°  
2. Tornillo de ajuste para ángulo a 45°

3. Apriete los tornillos de fijación y después haga un corte de prueba para comprobar si se ha obtenido el ángulo deseado.

## Ajuste del paralelismo

**⚠PRECAUCIÓN:** Mantenga preciso el paralelismo. De lo contrario el disco de sierra circular podrá hincarse en el riel guía y el riel guía dañado podrá ocasionar heridas.

Este ajuste ha sido hecho en fábrica. Pero si está desalineado, usted puede ajustarlo utilizando el procedimiento siguiente.

1. Ajuste la herramienta a la profundidad de corte máxima.
2. Asegúrese de que todas las palancas y tornillos están apretados.
3. Afloje los tornillos mostrados en la figura.
4. Mientras abre el protector inferior, mueva la parte trasera de la base de forma que las distancias A y B se vuelvan iguales.

► **Fig.50:** 1. Tornillo 2. Base

5. Apriete los tornillos y haga un corte de prueba para comprobar el paralelismo.

## ACCESORIOS OPCIONALES

**⚠PRECAUCIÓN:** Estos accesorios o aditamentos están recomendados para su uso con la herramienta Makita especificada en este manual. El uso de cualquier otro accesorio o aditamento puede suponer un riesgo de heridas personales. Utilice el accesorio o aditamento solamente con la finalidad indicada para el mismo.

Si necesita cualquier ayuda para más detalles en relación con estos accesorios, pregunte al centro de servicio Makita local.

- Disco de sierra circular
- Guía lateral (Regla guía)
- Gancho
- Riel guía
- Guía de bisel
- Mordaza
- Lámina
- Lámina de goma
- Lámina de posición
- Boquilla de polvo
- Llave hexagonal
- Unidad inalámbrica (para DHS783)
- Batería y cargador genuinos de Makita

**NOTA:** Algunos elementos de la lista podrán estar incluidos en el paquete de la herramienta como accesorios estándar. Pueden variar de un país a otro.

## PORTUGUÊS (Instruções originais)

### ESPECIFICAÇÕES

Modelo:	DHS782	DHS783
Diâmetro da lâmina	185 - 190 mm	
Profundidade máx. de corte	a 0°	60,0 - 62,5 mm
	em bisel de 45°	43,0 - 44,5 mm
	em bisel de 48°	41,0 - 42,0 mm
Velocidade sem carga	6.000 min <sup>-1</sup>	
Comprimento geral	348 mm	
Voltagem nominal	CC 36 V	
Peso líquido	4,5 - 5,1 kg	

- Devido a um programa contínuo de pesquisa e desenvolvimento, estas especificações estão sujeitas a alteração sem aviso prévio.
- As especificações e a bateria podem variar de país para país.
- O peso poderá diferir em função do acessório(s), incluindo a bateria. A combinação mais leve e mais pesada, de acordo com o Procedimento EPTA 01/2014, é apresentada na tabela.

#### Bateria e carregador aplicável

Bateria	BL1815N / BL1820 / BL1820B / BL1830 / BL1830B / BL1840 / BL1840B / BL1850 / BL1850B / BL1860B
Carregador	DC18RC / DC18RD / DC18RE / DC18SD / DC18SE / DC18SF

- Algumas das baterias e carregadores listados acima poderão não estar disponíveis, dependendo da sua região de residência.

**AVISO:** Utilize apenas as baterias e carregadores listados acima. A utilização de quaisquer outras baterias e carregadores pode causar ferimentos e/ou um incêndio.

#### Utilização a que se destina

A ferramenta foi concebida para executar cortes longitudinais e cruzados retos e de esquadria com ângulos em madeira enquanto se mantém em contacto firme com a peça de trabalho. Se possuir lâminas da serra genuínas apropriadas da Makita, também poderá serrar outros materiais.

#### Ruído

A característica do nível de ruído A determinado de acordo com a EN62841-2-5:

##### Modelo DHS782

Nível de pressão acústica ( $L_{pA}$ ): 93 dB (A)  
Nível de potência acústica ( $L_{WA}$ ): 104 dB (A)  
Variabilidade (K): 3 dB (A)

##### Modelo DHS783

Nível de pressão acústica ( $L_{pA}$ ): 93 dB (A)  
Nível de potência acústica ( $L_{WA}$ ): 104 dB (A)  
Variabilidade (K): 3 dB (A)

**NOTA:** O(s) valor(es) da emissão de ruído indicado(s) foi medido de acordo com um método de teste padrão e pode ser utilizado para comparar duas ferramentas.

**NOTA:** O(s) valor(es) da emissão de ruído indicado(s) pode também ser utilizado na avaliação preliminar da exposição.

**AVISO:** Utilize protetores auriculares.

**AVISO:** A emissão de ruído durante a utilização real da ferramenta elétrica pode diferir do(s) valor(es) indicado(s), dependendo das formas como a ferramenta é utilizada, especialmente o tipo de peça de trabalho que é processada.

**AVISO:** Certifique-se de identificar as medidas de segurança para proteção do operador que sejam baseadas em uma estimativa de exposição em condições reais de utilização (considerando todas as partes do ciclo de operação, tal como quando a ferramenta está desligada e quando está a funcionar em marcha lenta além do tempo de acionamento).

#### Vibração

Valor total da vibração (soma vetorial tri-axial) determinado de acordo com a EN62841-2-5:

##### Modelo DHS782

Modo de trabalho: cortar madeira  
Emissão de vibração ( $a_{h,W}$ ): 2,5 m/s<sup>2</sup> ou menos  
Variabilidade (K): 1,5 m/s<sup>2</sup>

Modo de trabalho: cortar metal  
Emissão de vibração ( $a_{h,M}$ ): 2,5 m/s<sup>2</sup> ou menos  
Variabilidade (K): 1,5 m/s<sup>2</sup>

##### Modelo DHS783

Modo de trabalho: cortar madeira  
Emissão de vibração ( $a_{h,W}$ ): 2,5 m/s<sup>2</sup> ou menos  
Variabilidade (K): 1,5 m/s<sup>2</sup>

Modo de trabalho: cortar metal  
Emissão de vibração ( $a_{h,M}$ ): 2,5 m/s<sup>2</sup> ou menos  
Variabilidade (K): 1,5 m/s<sup>2</sup>

**NOTA:** O(s) valor(es) total(ais) de vibração indicado(s) foi medido de acordo com um método de teste padrão e pode ser utilizado para comparar duas ferramentas.

**NOTA:** O(s) valor(es) total(ais) de vibração indicado(s) pode também ser utilizado na avaliação preliminar da exposição.

**⚠AVISO:** A emissão de vibração durante a utilização real da ferramenta elétrica pode diferir do(s) valor(es) indicado(s), dependendo das formas como a ferramenta é utilizada, especialmente o tipo de peça de trabalho que é processada.

**⚠AVISO:** Certifique-se de identificar as medidas de segurança para proteção do operador que sejam baseadas em uma estimativa de exposição em condições reais de utilização (considerando todas as partes do ciclo de operação, tal como quando a ferramenta está desligada e quando está a funcionar em marcha lenta além do tempo de acionamento).

## Declaração de conformidade da CE

### Apenas para os países europeus

A declaração de conformidade da CE está incluída como Anexo A neste manual de instruções.

## AVISOS DE SEGURANÇA

### Avisos gerais de segurança para ferramentas elétricas

**⚠AVISO:** Leia todos os avisos de segurança, instruções, ilustrações e especificações fornecidos com esta ferramenta elétrica. O não cumprimento de todas as instruções indicadas em baixo pode resultar em choque elétrico, incêndio e/ou ferimentos graves.

### Guarde todos os avisos e instruções para futuras referências.

O termo "ferramenta elétrica" nos avisos refere-se às ferramentas elétricas ligadas à corrente elétrica (com cabo) ou às ferramentas elétricas operadas por meio de bateria (sem cabo).

### Avisos de segurança da serra circular a bateria

#### Procedimentos de corte

- ⚠PERIGO:** Mantenha as mãos afastadas da área de corte e da lâmina. Mantenha a outra mão na pega auxiliar ou na caixa do motor. Se as duas mãos estiverem a pegar na serra, não podem ser cortadas pela lâmina.
- Não toque na superfície inferior da peça de trabalho.** O resguardo não o protege da lâmina debaixo da peça de trabalho.

- Regule a profundidade do corte em relação à espessura da peça de trabalho.** Só deve ser possível ver menos de um dente completo da lâmina sob a peça de trabalho.
  - Nunca segure a peça de trabalho nas mãos ou apoiada em sua perna enquanto efetua o corte. Fixe a peça de trabalho numa plataforma estável.** É importante apoiar a peça de trabalho de forma apropriada para minimizar a exposição do corpo, a dobras da lâmina ou a perda de controlo.
- Fig.1
- Agarre na ferramenta elétrica pelas superfícies isoladas preparadas para esse fim quando executar uma operação em que a ferramenta de corte possa entrar em contacto com cablagem escondida.** O contacto com um fio "sob tensão" também fará com que as partes de metal expostas da ferramenta elétrica fiquem "sob tensão", provocando um choque elétrico ao operador.
  - Em escarificação use sempre uma guia paralela ou uma guia reta.** Melhora a precisão do corte e reduz a possibilidade de a lâmina encravar.
  - Use sempre lâminas com o tamanho e forma (diamante versus redonda) corretos de orifícios do eixo.** As lâminas que não correspondem ao equipamento de montagem da serra desviar-se-ão do centro, causando perda de controlo.
  - Nunca utilize arruelas ou pernos de lâmina estragados ou incorretos.** As arruelas e pernos da lâmina foram concebidos para a sua serra, para maior rendimento e segurança na operação.

#### Causas e avisos sobre recuos

- o recuo é uma reação súbita a uma lâmina de serra apertada, encravada ou desalinhada, fazendo com que uma serra descontrolada se eleve e saia da peça de trabalho em direção ao operador;
- quando a lâmina é apertada ou encravada pelo fecho do corte, a lâmina para e a reação do motor aciona a unidade rapidamente para trás em direção ao operador;
- se a lâmina ficar torta ou mal alinhada no corte, os dentes na extremidade traseira da lâmina podem perfurar a superfície superior da madeira fazendo com que a lâmina suba no corte e salte em direção ao operador.

O recuo é o resultado de má utilização da serra e/ou de procedimentos ou condições de funcionamento incorretos e pode ser evitado tomando as precauções adequadas como indicado abaixo.

- Mantenha a serra bem agarrada com as duas mãos e posicione os braços para resistir às forças de recuo. Posicione o seu corpo num dos lados da lâmina, mas nunca alinhado com a lâmina.** O recuo pode fazer com que a serra salte para trás, mas as forças de recuo podem ser controladas pelo operador se forem tomadas as precauções apropriadas.
- Se a lâmina está presa ou se, por qualquer razão, interromper o corte, solte o gatilho e agarre na serra parada no material até que a lâmina pare completamente. Nunca tente retirar a serra da peça de trabalho nem puxar a serra para trás enquanto a lâmina está em movimento, pois pode ocorrer recuo.** Investigue e execute as ações corretivas para eliminar as causas de a lâmina encravar.

3. Quando efetuar o rearranque de uma serra na peça de trabalho, centre a lâmina da serra no corte, de modo a que os dentes da serra não fiquem engatados no material. Se uma lâmina de serra dobrar, poderá levantar ou recuar da peça de trabalho à medida que é efetuado o rearranque da serra.
4. **Suporte os painéis grandes para minimizar o risco de a lâmina prender e recuar.** Os painéis grandes tendem a ceder sob o próprio peso. Os suportes devem ser colocados sob o painel, nos dois lados, perto da linha de corte e perto da extremidade do painel.

► Fig.2

► Fig.3

5. **Não utilize lâminas rombas ou estragadas.** As lâminas não afiadas ou mal colocadas produzem um corte estreito causando fricção excessiva, encravamento da lâmina e recuo.
6. **As alavancas de bloqueio de regulação de profundidade e ângulo de corte devem estar apertadas e presas antes de fazer o corte.** Se a regulação da lâmina se alterar durante o corte, pode causar encravamento e recuo.
7. **Tenha cuidado especialmente ao serrar em paredes existentes ou outras áreas ocultas.** A lâmina saliente pode cortar objetos que podem originar recuo.
8. **Agarre SEMPRE na ferramenta firmemente com as duas mãos. NUNCA coloque as mãos, pernas ou outra parte do corpo por baixo da base da ferramenta ou por trás da serra, especialmente quando executar cortes cruzados.** Se ocorrer recuo, a serra pode facilmente saltar para trás sobre a sua mão, ocasionando ferimentos pessoais graves.

► Fig.4

9. **Nunca force a serra. Empurre a serra para a frente a uma velocidade tal em que a lâmina corte sem perder velocidade.** Forçar a serra pode causar cortes desiguais, perda de precisão e possível recuo.

#### Função do resguardo

1. **Verifique se o resguardo inferior fecha bem antes de cada utilização.** Não utilize a serra se o resguardo inferior não se movimentar livremente e fechar instantaneamente. Nunca fixe nem prenda o resguardo inferior na posição de aberto. Se deixar cair a serra acidentalmente, o resguardo inferior pode ficar dobrado. Levante o resguardo inferior com a pega retratora e certifique-se de que se movimenta livremente e não toca na lâmina ou em qualquer outra parte, em todos os ângulos e profundidades de corte.
2. **Verifique o funcionamento da mola do resguardo inferior. Se o resguardo e a mola não estiverem a funcionar corretamente, devem ser reparados antes da utilização.** O resguardo inferior pode funcionar mal devido a peças danificadas, depósitos pegajosos ou acumulação de resíduos.
3. **O resguardo inferior pode ser retraído manualmente só para cortes especiais como “cortes penetrantes” e “cortes compostos”.** Levante o resguardo inferior pela pega retratora e assim que a lâmina entrar no material, deve libertar o resguardo inferior. Para todos os restantes tipos de corte, o resguardo inferior deve funcionar automaticamente.

4. **Certifique-se sempre de que o resguardo inferior está a cobrir a lâmina antes de colocar a serra sobre a bancada ou no chão.** Uma lâmina sem proteção, a rodar por inércia, fará com que a serra recue cortando tudo o que estiver no seu caminho. Preste atenção ao tempo que a lâmina leva a parar depois de soltar o gatilho.
5. **Para verificar o resguardo inferior, abra-o à mão, depois solte-o e observe se o resguardo se fecha. Certifique-se também de que a pega retratora não toca na caixa da ferramenta.** Deixar a lâmina exposta é MUITO PERIGOSO e pode originar ferimentos pessoais graves.

#### Avisos adicionais de segurança

1. **Tenha extremo cuidado quando cortar madeira húmida, madeira prensada ou madeira que contenha nós.** Mantenha o avanço suave da ferramenta sem diminuir a velocidade da lâmina para evitar o superaquecimento das pontas da lâmina.
2. **Não tente retirar material cortado quando a lâmina está em movimento. Espere até que a lâmina esteja completamente parada antes de pegar no material cortado.** A lâmina continua a rodar depois de desligar a ferramenta.
3. **Evite cortar pregos. Inspeccione e retire todos os pregos da madeira antes de cortar.**
4. **Coloque a parte mais larga da base da serra na parte da peça de trabalho que está firmemente suportada e não na secção que cairá quando faz o corte. Se a peça de trabalho for curta ou pequena, prenda-a com grampos de fixação. NÃO TENHA AGARRAR PEÇAS PEQUENAS COM A MÃO!**

► Fig.5

5. **Antes de colocar a ferramenta de lado depois de terminar um corte, certifique-se de que o resguardo fechou e que a lâmina está completamente parada.**
6. **Nunca tente serrar com a serra circular presa ao contrário num torno. É extremamente perigoso e pode originar acidentes graves.**

► Fig.6

7. **Alguns materiais contêm químicos que podem ser tóxicos. Tenha cuidado para evitar a inalação de pó e o contacto com a pele. Siga os dados de segurança do fornecedor.**
8. **Não pare as lâminas por meio de pressão lateral na lâmina de serra.**
9. **Não utilize discos abrasivos.**
10. **Utilize apenas uma lâmina de serra que tenha o diâmetro marcado na ferramenta ou especificado no manual.** A utilização de uma lâmina de tamanho incorreto pode afetar a proteção adequada da lâmina ou a operação de resguardo, o que pode resultar em ferimentos pessoais graves.
11. **Mantenha a lâmina afiada e limpa.** Os resíduos acumulados e pastosos tornam a serra mais lenta e aumentam a possibilidade de recuo. Mantenha a lâmina limpa retirando-a primeiro da ferramenta e limpando-a com um produto para remoção de resíduos pastosos, água quente ou querosene. Nunca utilize gasolina.
12. **Use uma máscara contra o pó e proteção auricular quando utilizar a ferramenta.**

13. Use sempre a lâmina de serra prevista para cortar o material que vai cortar.
14. Apenas use lâminas de serra marcadas com uma velocidade igual ou superior à velocidade marcada na ferramenta.
15. (Apenas para países europeus)  
Use sempre a lâmina que possui conformidade com a EN847-1.

## GUARDE ESTAS INSTRUÇÕES.

**⚠️AVISO:** NÃO permita que o conforto ou familiaridade com o produto (adquirido com o uso repetido) substitua o cumprimento estrito das regras de segurança da ferramenta. A MÁ INTERPRETAÇÃO ou o não seguimento das regras de segurança estabelecidas neste manual de instruções pode provocar ferimentos pessoais graves.

### Instruções de segurança importantes para a bateria

1. Antes de utilizar a bateria, leia todas as instruções e etiquetas de precaução no (1) carregador de bateria (2) bateria e (3) produto que utiliza a bateria.
2. Não abra a bateria.
3. Se o tempo de funcionamento se tornar excessivamente curto, pare o funcionamento imediatamente. Pode resultar em sobreaquecimento, possíveis queimaduras e mesmo explosão.
4. Se entrar eletrólito nos seus olhos, lave-os com água e consulte imediatamente um médico. Pode resultar em perda de visão.
5. Não coloque a bateria em curto-circuito:
  - (1) Não toque nos terminais com qualquer material condutor.
  - (2) Evite guardar a bateria juntamente com outros objetos metálicos tais como pregos, moedas, etc.
  - (3) Não exponha a bateria à água ou chuva. Um curto-circuito pode ocasionar um enorme fluxo de corrente, sobreaquecimento, possíveis queimaduras e mesmo estragar-se.
6. Não guarde a ferramenta e a bateria em locais onde a temperatura pode atingir ou exceder 50°C.
7. Não queime a bateria mesmo que esteja estragada ou completamente gasta. A bateria pode explodir no fogo.
8. Tenha cuidado para não deixar cair ou dar pancadas na bateria.
9. Não utilize uma bateria danificada.
10. As baterias de íões de lítio contidas na ferramenta são sujeitas aos requisitos da DGL (Dangerous Goods Legislation - Legislação de bens perigosos).  
Para o transporte comercial, por exemplo, por terceiros ou agentes de expedição, têm de ser observados os requisitos referentes à embalagem e etiquetagem.  
Para preparação do artigo a ser expedido, é necessário consultar um perito em materiais perigosos. Tenha ainda em conta a possibilidade de existirem regulamentos nacionais mais detalhados.  
Coloque fita-cola ou tape os contactos abertos e embale a bateria de tal forma que não possa mover-se dentro da embalagem.

11. Siga os regulamentos locais relacionados com a eliminação de baterias.
12. Utilize as baterias apenas com os produtos especificados pela Makita. Instalar as baterias em produtos não-conformes poderá resultar num incêndio, calor excessivo, explosão ou fuga de eletrólito.

## GUARDE ESTAS INSTRUÇÕES.

**⚠️PRECAUÇÃO:** Utilize apenas baterias genuínas da Makita. A utilização de baterias não genuínas da Makita ou de baterias que foram alteradas, pode resultar no rebotamento da bateria provocando incêndios, ferimentos pessoais e danos. Além disso, anulará a garantia da Makita no que se refere à ferramenta e ao carregador Makita.

### Conselhos para manter a máxima vida útil da bateria

1. Carregue a bateria antes que esteja completamente descarregada. Pare sempre o funcionamento da ferramenta e carregue a bateria quando notar menos poder na ferramenta.
2. Nunca carregue uma bateria completamente carregada. Carregamento excessivo diminui a vida útil da bateria.
3. Carregue a bateria à temperatura ambiente de 10°C – 40°C. Deixe que uma bateria quente arrefeça antes de a carregar.
4. Carregue a bateria se não a utilizar durante um longo período de tempo (mais de seis meses).

### Instruções de segurança importantes para a unidade sem fios

1. Não desmonte ou manipule a unidade sem fios.
2. Mantenha a unidade sem fios afastada das crianças. Se ocorrer a ingestão acidental, procure imediatamente cuidados médicos.
3. Utilize a unidade sem fios apenas com ferramentas Makita.
4. Não exponha a unidade sem fios à chuva ou a condições húmidas.
5. Não utilize a unidade sem fios em locais onde a temperatura excede 50°C.
6. Não utilize a unidade sem fios em locais próximos de instrumentos médicos, tais como estimuladores cardíacos.
7. Não utilize a unidade sem fios em locais próximos de dispositivos automatizados. Se utilizada, os dispositivos automatizados podem desenvolver anomalias ou erros.
8. Não utilize a unidade sem fios em locais sob temperaturas altas ou locais nos quais possa ser gerada eletricidade estática ou ruído elétrico.
9. A unidade sem fios pode produzir campos eletromagnéticos (CEM) mas estes não são nocivos para o utilizador.
10. A unidade sem fios é um instrumento preciso. Tenha cuidado para não deixar cair a unidade sem fios nem bater nesta.

11. Evite tocar no terminal da unidade sem fios com as mãos desprotegidas ou com materiais metálicos.
12. Retire sempre a bateria do produto quando instalar a unidade sem fios.
13. Quando abrir a tampa da ranhura, evite o local no qual a poeira e a água podem entrar para a ranhura. Mantenha sempre a entrada da ranhura limpa.
14. Insira sempre a unidade sem fios na direção correta.
15. Não pressione o botão de ativação sem fios na unidade sem fios com demasiada força e/ou pressione o botão com um objeto com aresta afiada.
16. Feche sempre a tampa da ranhura quando utilizar a ferramenta.
17. Não remova a unidade sem fios da ranhura enquanto estiver a ser fornecida alimentação elétrica à ferramenta. Fazê-lo pode causar a anomalia da unidade sem fios.
18. Não remova o adesivo da unidade sem fios.
19. Não coloque qualquer adesivo na unidade sem fios.
20. Não deixe a unidade sem fios num local em que possa ser gerada eletricidade estática ou ruído elétrico.
21. Não deixe a unidade sem fios num local sujeito a calor intenso, tal como um veículo exposto ao sol.
22. Não deixe a unidade sem fios num local poeirento ou pulverulento ou num local onde possa ser gerado gás corrosivo.
23. A mudança súbita da temperatura pode molhar a unidade sem fios com condensação. Não utilize a unidade sem fios até que a condensação esteja completamente seca.
24. Quando limpar a unidade sem fios, limpe-a suavemente com um pano macio e seco. Não utilize benzina, diluente, massa lubrificante condutora ou similar.
25. Quando armazenar a unidade sem fios, guarde-a na caixa fornecida ou num recipiente anti-estática.
26. Não insira quaisquer dispositivos diferentes da unidade sem fios Makita na ranhura na ferramenta.
27. Não utilize a ferramenta com a tampa da ranhura danificada. A entrada de água, poeira e sujidade na ranhura pode causar o mau funcionamento.
28. Não puxe e/ou torça a tampa da ranhura além do necessário. Recoloque a tampa se esta sair da ferramenta.
29. Substitua a tampa da ranhura se a perder ou danificar.

## GUARDE ESTAS INSTRUÇÕES.

## DESCRIÇÃO FUNCIONAL

**⚠PRECAUÇÃO:** Certifique-se sempre de que a ferramenta está desligada e a bateria foi retirada antes de regular ou verificar qualquer função na ferramenta.

## Instalação ou remoção da bateria

**⚠PRECAUÇÃO:** Desligue sempre a ferramenta antes de colocar ou retirar a bateria.

**⚠PRECAUÇÃO:** Segure firmemente a ferramenta e a bateria quando instalar ou remover a bateria. Se não segurar firmemente a ferramenta e a bateria pode fazer com que escorreguem das suas mãos resultando em danos na ferramenta e na bateria e ferimentos pessoais.

**⚠PRECAUÇÃO:** Baixe sempre a base quando instalar/remover as baterias. Tenha cuidado para não prender os dedos.

**⚠PRECAUÇÃO:** Não utilize o adaptador da bateria com a serra circular. O cabo do adaptador da bateria pode impedir a operação e resultar em ferimentos pessoais.

► Fig.7: 1. Alavanca 2. Indicador vermelho 3. Botão 4. Bateria

Antes de remover a bateria, solte a alavanca para ajuste em profundidade para descer a base da ferramenta. De seguida, deslize a bateria da ferramenta, deslizando ao mesmo tempo o botão na parte frontal da bateria.

Para instalar a bateria, alinhe a lingueta da bateria com a ranhura no compartimento e deslize-a no lugar. Empurre-a até o fim para que a mesma encaixe no lugar com um clique. Se puder ver a parte vermelha no lado superior do botão, significa que não está completamente bloqueada.

**⚠PRECAUÇÃO:** Instale sempre a bateria até ao fim, até deixar de ver o indicador vermelho. Caso contrário, a bateria poderá cair da ferramenta acidentalmente e provocar ferimentos em si mesmo ou em alguém próximo.

**⚠PRECAUÇÃO:** Não instale a bateria à força. Se a bateria não deslizar facilmente é porque não foi colocada corretamente.

**NOTA:** A ferramenta não funciona com apenas uma bateria.

## Sistema de proteção da ferramenta/bateria

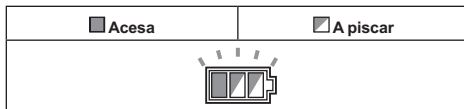
A ferramenta está equipada com um sistema de proteção da ferramenta/bateria. Este sistema corta automaticamente a corrente ao motor para prolongar a vida útil da ferramenta e da bateria. A ferramenta para automaticamente durante o funcionamento se a ferramenta ou a bateria se encontrarem numa das seguintes condições. Nalgumas condições, a luz indicadora acende.

### Proteção contra sobrecarga

Quando a ferramenta estiver a ser operada de forma a causar uma absorção de corrente anormalmente elevada, a ferramenta para automaticamente. Nesta situação, desligue a ferramenta e pare a aplicação que causou a sobrecarga da ferramenta. De seguida, ligue a ferramenta e reinicie.

### Proteção contra sobreaquecimento

Quando a ferramenta estiver sobreaquecida, a ferramenta para automaticamente e o indicador da bateria pisca cerca de 60 segundos. Nesta situação, deixe a ferramenta arrefecer antes de ligar novamente a ferramenta.



### Proteção contra descarga excessiva

Quando a capacidade da bateria é baixa, a ferramenta para automaticamente. Se o produto não funcionar mesmo quando os interruptores são acionados, retire as baterias da ferramenta e carregue-as.

## Indicação da capacidade restante da bateria

► Fig.8: 1. Indicador da bateria 2. Botão de verificação

Prima o botão de verificação para indicar a capacidade restante das baterias. Os indicadores da bateria correspondem a cada bateria.

Estado dos indicadores da bateria			Capacidade restante da bateria
Aceso	Apagado	A piscar	
■	□	□	50% a 100%
■	□	□	20% a 50%
■	□	□	0% a 20%
■	□	□	Carregar a bateria

## Indicação da capacidade restante da bateria

**Apenas para baterias com indicador**

► Fig.9: 1. Luzes indicadoras 2. Botão de verificação

Prima o botão de verificação na bateria para indicar a capacidade restante da bateria. As luzes indicadoras acendem durante alguns segundos.

Luzes indicadoras			Capacidade restante
Aceso	Apagado	A piscar	
■	■	■	75% a 100%
■	■	□	50% a 75%
■	□	□	25% a 50%
■	□	□	0% a 25%
□	□	□	Carregar a bateria.
■	■	□	A bateria pode estar avariada.
□	□	■	

**NOTA:** Dependendo das condições de utilização e da temperatura ambiente, a indicação pode ser ligeiramente diferente da capacidade real.

## Ação do interruptor

**AVISO:** Antes de colocar a bateria na ferramenta, verifique sempre se o gatilho do interruptor funciona corretamente e volta para a posição "OFF" quando libertado.

**AVISO:** NUNCA tente anular o botão de desbloqueio dando-lhe pancadas para baixo nem por qualquer outro meio. Um interruptor com um botão de desbloqueio anulado pode resultar em operação não intencional e em ferimentos pessoais graves.

**AVISO:** NUNCA utilize a ferramenta se ela funcionar premindo apenas o gatilho, sem ter de carregar no botão de desbloqueio. Um interruptor que necessita de reparação pode resultar em operação não intencional e em ferimentos pessoais graves. Envie a ferramenta para um centro de assistência da Makita para receber uma reparação adequada ANTES de voltar a utilizá-la.

Para evitar que o gatilho seja acionado acidentalmente, existe um botão de desbloqueio. Para arrancar a ferramenta, prima o botão de desbloqueio e puxe o gatilho. Liberte o gatilho para parar.

► Fig.10: 1. Gatilho do interruptor 2. Botão de desbloqueio

**OBSERVAÇÃO:** Não carregue a fundo o gatilho sem pressionar o botão de segurança. Esta ação pode estragar o interruptor.



**⚠PRECAUÇÃO:** A ferramenta começa a travar a rotação da lâmina de serra circular imediatamente após soltar o gatilho do interruptor. Segure a ferramenta firmemente para responder à reação do travão quando soltar o gatilho do interruptor. A reação súbita pode causar a queda da ferramenta da sua mão e provocar ferimentos pessoais.

## Função de mudança de velocidade automática




Esta ferramenta possui o "modo de alta velocidade" e o "modo de alto binário".

A ferramenta muda automaticamente o modo de operação dependendo da carga de trabalho. Quando a carga de trabalho é baixa, a ferramenta funcionará no "modo de alta velocidade" para uma operação de corte mais rápida. Quando a carga de trabalho é alta, a ferramenta funcionará no "modo de binário alto" para uma operação de corte mais potente.

► Fig.11: 1. Indicador de modo

O indicador de modo acende a verde quando a ferramenta está a funcionar no "modo de binário alto".

Se a ferramenta for operada com carga excessiva, o indicador de modo piscará a verde. O indicador de modo para de piscar e acende de seguida ou desliga se reduzir a carga na ferramenta.

Estado do indicador de modo			Modo de operação
● Ligado	○ Desligado	● A piscar	
			Modo de alta velocidade
			Modo de binário alto
			Alerta de sobrecarga

## Regulação da profundidade do corte

**⚠PRECAUÇÃO:** Depois de regular a profundidade do corte, aperte sempre a alavanca com segurança.

Afrouxe a alavanca na guia de profundidade e desloque a base para cima ou para baixo. Na profundidade de corte desejada, prenda a base apertando a alavanca. Para cortes limpos e seguros, regule a profundidade de corte de forma que apenas um dente da serra fique saliente na parte de baixo da peça de trabalho. Utilizar a profundidade de corte correta ajuda a reduzir o risco de RECUOS perigosos, que podem causar ferimentos pessoais.

► Fig.12: 1. Alavanca

## Corte de bisel

**⚠PRECAUÇÃO:** Depois de regular o ângulo de bisel, aperte sempre os parafusos de fixação com segurança.

Solte os parafusos de fixação. Defina para o ângulo pretendido ao inclinar em conformidade e, em seguida, aperte firmemente os parafusos de fixação.

► Fig.13: 1. Parafuso de fixação

Utilize o batente quando realizar cortes precisos num ângulo de 45°. Rode totalmente o batente conforme ilustrado, dependendo do corte em bisel a 0° - 45° ou do corte em bisel a 0° - 48°.

► Fig.14: 1. Batente

## Mira

Para cortes retos, alinhe a posição dos 0° na frente da base com a linha de corte. Para cortes de bisel de 45°, alinhe a posição dos 45° com a mesma.

► Fig.15: 1. Linha de corte (posição dos 0°) 2. Linha de corte (posição dos 45°)

## Acender a lâmpada

**⚠PRECAUÇÃO:** Não olhe para a luz ou para a fonte de iluminação diretamente.

Para ligar a lâmpada sem ligar a ferramenta, prima o gatilho do interruptor sem pressionar no botão de desbloqueio. Para ligar a lâmpada com a ferramenta ligada, prima e mantenha o botão de desbloqueio premido e puxe o gatilho do interruptor. A lâmpada apaga 10 segundos após soltar o gatilho do interruptor.

► Fig.16: 1. Lâmpada

**NOTA:** Utilize um pano seco para limpar a sujidade da lente da lâmpada. Tenha cuidado para não riscar a lente da lâmpada ou a iluminação pode ficar enfraquecida.

## Gancho

### Acessório opcional

**⚠PRECAUÇÃO:** Remova sempre a bateria quando pendurar a ferramenta pelo gancho.

**⚠PRECAUÇÃO:** Nunca enganche a ferramenta em locais elevados ou em superfícies nas quais a ferramenta possa perder o equilíbrio e cair.

**⚠PRECAUÇÃO:** Não puxe a ferramenta para baixo quando estiver enganchada.

O gancho é conveniente para pendurar a ferramenta temporariamente.

► Fig.17

Prenda o gancho com os parafusos, conforme ilustrado.

► Fig.18: 1. Gancho 2. Parafuso

Para utilizar o gancho, basta rodá-lo até encaixar na posição aberta.

Quando não estiver a utilizar o gancho, rode o gancho até encaixar na posição fechada.

► Fig.19: 1. Posição aberta 2. Posição fechada

## Travão elétrico

Esta ferramenta está equipada com um travão elétrico da lâmina. Se a ferramenta consistentemente não parar rapidamente a lâmina de serra circular após a libertação da alavanca do interruptor, solicite a reparação da ferramenta num centro de assistência da Makita.

**⚠PRECAUÇÃO:** O sistema de travão da lâmina não substitui o resguardo da lâmina. **NUNCA UTILIZE A FERRAMENTA SEM UM RESGUARDO DA LÂMINA FUNCIONAL. PODEM OCORRER FERIMENTOS CORPORAIS GRAVES.**

## Função eletrónica

As ferramentas equipadas com função eletrónica são fáceis de usar devido à(s) seguinte(s) característica(s).

### Característica de arranque suave

Arranque suave devido a choque de arranque suprimido.

## MONTAGEM

**⚠PRECAUÇÃO:** Certifique-se sempre de que a ferramenta está desligada e a bateria retirada antes de executar qualquer trabalho na ferramenta.

## Armazenamento da chave hexagonal

Quando não a estiver a utilizar, guarde a chave hexagonal como indicado na figura para não a perder.

► Fig.20: 1. Chave hexagonal

## Remoção ou instalação da lâmina de serra circular

**⚠PRECAUÇÃO:** Certifique-se de que a lâmina de serra circular está instalada com os dentes virados para cima na frente da ferramenta.

**⚠PRECAUÇÃO:** Utilize apenas a chave Makita para instalar ou remover a lâmina de serra circular.

Para retirar a lâmina de serra circular, pressione o travão do eixo até ao fim de modo que a lâmina de serra circular não possa rodar e utilize a chave hexagonal para soltar o perno hexagonal. Em seguida, retire o perno hexagonal, a flange exterior, a lâmina de serra circular e o anel (específico para o país).

► Fig.21: 1. Travão do eixo 2. Chave hexagonal 3. Soltar 4. Apertar

### Para uma ferramenta sem o anel

► Fig.22: 1. Perno hexagonal 2. Flange exterior 3. Lâmina de serra circular 4. Flange interior

### Para uma ferramenta com o anel

► Fig.23: 1. Perno hexagonal 2. Flange exterior 3. Lâmina de serra circular 4. Anel 5. Flange interior

Para instalar a lâmina de serra circular, siga o procedimento de remoção pela ordem inversa.

## Para uma ferramenta com a flange interior para uma lâmina da serra com um orifício de diâmetro diferente de 15,88 mm

A flange interior tem uma saliência de um determinado diâmetro num dos seus lados e uma saliência diferente no outro lado. Escolha um lado correto no qual a saliência encaixe perfeitamente no orifício da lâmina de serra. Monte a flange interior sobre o eixo de montagem de forma a que o lado correto da saliência na flange interior fique virado para fora e, depois, coloque a lâmina da serra e a flange exterior.

► Fig.24: 1. Eixo de montagem 2. Flange interior 3. Lâmina de serra circular 4. Flange exterior 5. Perno hexagonal

**⚠AVISO:** CERTIFIQUE-SE DE QUE APERTA FIRMEMENTE O PERNO HEXAGONAL PARA A DIREITA. Tenha igualmente cuidado para não apertar o perno forçando-o. Se a sua mão escorregar da chave hexagonal, pode provocar ferimentos pessoais.

**⚠AVISO:** Certifique-se de que a saliência "a" na flange interior, que está posicionada na parte exterior, encaixa perfeitamente no orifício "a" da lâmina da serra. Montar a lâmina no lado errado pode resultar em vibração perigosa.

## Para uma ferramenta com a flange interior para uma lâmina da serra com um orifício de diâmetro de 15,88 mm (específico para o país)

Monte a flange interior com o lado do recesso virado para fora, sobre o eixo de montagem e, depois, instale a lâmina da serra (junto com o anel, se necessário), a flange exterior e o perno hexagonal.

### Para uma ferramenta sem o anel

► Fig.25: 1. Eixo de montagem 2. Flange interior 3. Lâmina de serra circular 4. Flange exterior 5. Perno hexagonal

### Para uma ferramenta com o anel

► Fig.26: 1. Eixo de montagem 2. Flange interior 3. Lâmina de serra circular 4. Flange exterior 5. Perno hexagonal 6. Anel

**⚠AVISO:** CERTIFIQUE-SE DE QUE APERTA FIRMEMENTE O PERNO HEXAGONAL PARA A DIREITA. Tenha igualmente cuidado para não apertar o perno forçando-o. Se a sua mão escorregar da chave hexagonal, pode provocar ferimentos pessoais.

**⚠AVISO:** Se o anel for necessário para montar a lâmina sobre o fuso, certifique-se sempre de que tem instalado o anel correto para o orifício do eixo da lâmina que pretende utilizar entre as flanges interior e exterior. A utilização de um anel do orifício do eixo incorreto pode resultar em montagem incorreta da lâmina provocando o movimento e vibrações graves da mesma, resultando em possível perda de controlo durante a operação e em ferimentos pessoais graves.

## Limpeza do resguardo da lâmina

Quando mudar a lâmina de serra circular, certifique-se de que também limpa a serradura acumulada nos resguardos superior e inferior da lâmina, como indicado na secção Manutenção. Essas providências não invalidam a necessidade de verificar o funcionamento do resguardo inferior antes de cada utilização.

### Ligar um aspirador

Quando desejar executar uma operação de corte limpa, ligue um aspirador Makita à ferramenta. Ligue a mangueira do aspirador ao bocal de poeira, como ilustrado.

► **Fig.27:** 1. Bocal de poeira 2. Parafuso

► **Fig.28:** 1. Mangueira 2. Aspirador

## OPERAÇÃO

Esta ferramenta destina-se a cortar produtos de madeira. Se possuir lâminas de serra circular genuínas apropriadas da Makita, também pode serrar os seguintes materiais:

- Produtos de alumínio

Consulte o nosso website ou contacte o seu distribuidor Makita local para obter as lâminas de serra circular corretas a utilizar para o material a cortar.

### Verificação do funcionamento do resguardo da lâmina

Regule o ângulo de bisel para 0° e, em seguida, retraia completamente o resguardo inferior manualmente e solte-o. O resguardo inferior está a funcionar adequadamente se:

- estiver retraído acima da base sem qualquer obstáculo e;
- retornar automaticamente e tocar no batente.

► **Fig.29:** 1. Resguardo superior 2. Resguardo inferior 3. Base 4. Batente 5. Abrir 6. Fechar

Se o resguardo inferior não estiver a funcionar corretamente, verifique se poeira de serração se acumula no interior dos resguardos superior e inferior. Se o resguardo inferior não estiver a funcionar corretamente mesmo após a remoção da poeira, solicite a reparação da ferramenta por um centro de assistência Makita.

### Operação de corte

**⚠PRECAUÇÃO:** Use máscara antipoeira quando realizar a operação de corte.

**⚠PRECAUÇÃO:** Certifique-se de que desloca a ferramenta para a frente, suavemente numa linha direita. Forçar ou torcer a ferramenta resultará no sobreaquecimento do motor e em recuo perigoso, podendo causar ferimentos graves.

**NOTA:** Quando a temperatura do cartucho da bateria está baixa, a ferramenta pode não funcionar na sua capacidade total. Nesta altura, por exemplo, utilize a ferramenta para um corte leve, durante algum tempo, até o cartucho da bateria aquecer e atingir a temperatura ambiente. Depois, a ferramenta pode funcionar à sua capacidade total.

► **Fig.30**

Agarre a ferramenta firmemente. A ferramenta é fornecida com um punho frontal e uma pega traseira. Utilize os dois para agarrar melhor a ferramenta. Se as duas mãos estiverem a agarrar a serra, não poderão ser cortadas pela lâmina da serra circular. Coloque a base na peça de trabalho a cortar sem que a lâmina da serra circular faça qualquer contacto. Em seguida, ligue a ferramenta e espere até que a lâmina da serra circular atinja a velocidade máxima. Agora, desloque a ferramenta para a frente sobre a superfície da peça de trabalho, mantendo-a plana e avançando suavemente até que o corte esteja terminado.

Para obter cortes limpos, mantenha a linha de corte direita e a velocidade de avanço uniforme. Se o corte não seguir corretamente a linha de corte pretendida, não tente rodar nem forçar a ferramenta a voltar atrás na linha de corte. Pode dobrar a lâmina da serra circular e originar recuo perigoso e possíveis ferimentos graves. Liberte o gatilho, espere que a lâmina da serra circular pare e, em seguida, retire a ferramenta. Volte a alinhar a ferramenta numa nova linha de corte, e inicie o corte outra vez. Tente evitar uma posição que exponha o operador às aparas e à serradura ejetadas pela serra. Use protetores oculares para ajudar a evitar ferimentos.

### Guia paralela (régua guia)

**⚠PRECAUÇÃO:** Certifique-se que a guia paralela está instalada firmemente na posição correta antes de utilizar a ferramenta. A fixação inadequada pode causar o recuo perigoso.

► **Fig.31:** 1. Guia paralela (régua guia) 2. Parafuso de fixação

A guia paralela é muito útil e permite-lhe executar cortes retos com extrema precisão. Basta deslizar a guia paralela compactamente para cima contra o lado da peça de trabalho e prendê-la na posição com o parafuso na frente da base. Também torna possível cortes repetidos de espessura uniforme.

### Calha-guia

#### Acessório opcional

Coloque a ferramenta na extremidade traseira da calha-guia. Rode os dois parafusos de ajuste na base da ferramenta de modo a que a ferramenta deslize ligeiramente sem ruído. Segure firmemente o punho frontal e a pega traseira da ferramenta. Ligue a ferramenta e corte o resguardo de cavacos ao longo do comprimento total com um curso. Agora o bordo do resguardo de cavacos corresponde ao bordo de corte.

► **Fig.32:** 1. Parafusos de ajuste

Quando realizar o corte de bisel com a calha-guia, utilize a alavanca deslizante para evitar que a ferramenta caia.

Mova a alavanca deslizante na base da ferramenta no sentido da seta, de modo a engatar na ranhura de corte inferior na calha-guia.

► **Fig.33:** 1. Alavanca deslizante

## Ligação de cordão (tirante)

**⚠ Avisos de segurança específicos para utilização em altura**

Leia todos os avisos e instruções de segurança. A inobservância dos avisos e das instruções pode resultar em ferimentos graves.

1. Mantenha sempre a ferramenta amarrada quando trabalhar “em altura”. O comprimento máximo do cordão é 2 m.
2. Utilize apenas com cordões apropriados para esta ferramenta e com classificação nominal mínima de 6,0 kg (13,3 lbs).
3. Não amarre o cordão da ferramenta em nada no seu corpo ou em componentes móveis. Amarre o cordão da ferramenta a uma estrutura rígida capaz de suportar as forças de uma ferramenta caída.
4. Certifique-se de que o cordão está devidamente seguro em cada extremidade antes de utilizá-lo.
5. Inspeccione a ferramenta e o cordão antes de cada utilização quanto a eventuais danos e ao funcionamento correto (incluindo tecido e costura). Não o utilize se estiver danificado ou se não estiver a funcionar corretamente.
6. Não ate os cordões em redor de bordos afiados ou ásperos, nem permita que toquem nestes.
7. Aperte a outra extremidade do cordão fora da área de trabalho, de modo a segurar firmemente uma ferramenta caída.
8. Prenda o cordão, de modo que a ferramenta se afaste do operador no caso de cair. As ferramentas caídas balançam no cordão, o que pode causar ferimentos ou perda de equilíbrio.
9. Não o utilize próximo de peças móveis ou máquinas em funcionamento. Se o fizer, pode resultar em perigo de esmagamento ou emaranhamento.
10. Não transporte a ferramenta através do dispositivo de fixação ou do cordão.
11. Transfira a ferramenta de uma mão para a outra apenas enquanto estiver devidamente equilibrado.
12. Não prenda cordões à ferramenta de uma forma que impeça as proteções, os interruptores ou desbloqueios de funcionarem corretamente.
13. Evite ficar preso no cordão.
14. Mantenha o cordão afastado da área de corte da ferramenta.
15. Utilize mosquetões multifuncionais e do tipo parafuso. Não utilize mosquetões de mola de ação única.
16. No caso de a ferramenta cair, esta deve ser etiquetada e retirada de serviço e deve ser inspecionada por uma fábrica ou centro de assistência autorizado da Makita.

► Fig.34: 1. Orifício para cordão (tirante)

## FUNÇÃO DE ATIVAÇÃO SEM FIOS

Apenas para DHS783

### O que pode fazer com a função de ativação sem fios

A função de ativação sem fios possibilita um funcionamento limpo e confortável. Ao ligar um aspirador suportado à ferramenta, pode utilizar o aspirador automaticamente juntamente com o funcionamento por interruptor da ferramenta.

► Fig.35

Para utilizar a função de ativação sem fios, prepare os seguintes itens:

- Uma unidade sem fios (acessório opcional)
- Um aspirador que suporta a função de ativação sem fios

A vista geral da definição da função de ativação sem fios é a seguinte. Consulte cada secção para obter os procedimentos detalhados.

1. Instalar a unidade sem fios
2. Registo da ferramenta para o aspirador
3. Iniciar a função de ativação sem fios

### Instalar a unidade sem fios

Acessório opcional

**⚠ PRECAUÇÃO:** Coloque a ferramenta num superfície plana e estável quando instalar a unidade sem fios.

**OBSERVAÇÃO:** Limpe a poeira e a sujidade da ferramenta antes de instalar a unidade sem fios. A poeira ou a sujidade podem causar o mau funcionamento caso entrem na ranhura da unidade sem fios.

**OBSERVAÇÃO:** Para evitar o mau funcionamento causado pela estática, toque num material de descarga estática, tal como uma peça metálica da ferramenta, antes de pegar na unidade sem fios.

**OBSERVAÇÃO:** Quando instalar a unidade sem fios, certifique-se sempre de que a unidade sem fios é inserida na direção correta e que a tampa está completamente fechada.

1. Abra a tampa da ferramenta conforme ilustrado na figura.

► Fig.36: 1. Tampa

2. Insira a unidade sem fios na ranhura e feche a tampa, em seguida.

Quando inserir a unidade sem fios, alinhe as projeções com as partes encaixadas na ranhura.

► Fig.37: 1. Unidade sem fios 2. Projeção 3. Tampa 4. Parte encaixada

Quando remover a unidade sem fios, abra a tampa lentamente. Os ganchos na parte traseira da tampa elevam a unidade sem fios à medida que puxa a tampa para cima.

► **Fig.38:** 1. Unidade sem fios 2. Gancho 3. Tampa

Após remover a unidade sem fios, guarde-a na caixa fornecida ou num recipiente anti-estática.

**OBSERVAÇÃO:** Utilize sempre os ganchos da parte traseira da tampa quando remover a unidade sem fios. Se os ganchos não agarrarem a unidade sem fios, feche a tampa completamente e volte a abri-la lentamente.

### Registo da ferramenta para o aspirador

**NOTA:** O aspirador Makita que suporta a função de ativação sem fios é necessário para o registo da ferramenta.

**NOTA:** Conclua a instalação da unidade sem fios na ferramenta antes de iniciar o registo da ferramenta.

**NOTA:** Durante o registo da ferramenta, não puxe o gatilho do interruptor ou ligue o interruptor de alimentação do aspirador.

**NOTA:** Consulte também o manual de instruções do aspirador.

Se pretender ativar o aspirador juntamente com o funcionamento por interruptor da ferramenta, conclua primeiramente o registo da ferramenta.

1. Instale as baterias no aspirador e na ferramenta.

2. Regule o interruptor do modo de espera no aspirador para "AUTO".

► **Fig.39:** 1. Interruptor do modo de espera

3. Pressione o botão de ativação sem fios do aspirador durante 3 segundos até a lâmpada de ativação sem fios piscar a verde. Em seguida, pressione o botão de ativação sem fios da ferramenta da mesma forma.

► **Fig.40:** 1. Botão de ativação sem fios 2. Lâmpada de ativação sem fios

Se o aspirador e a ferramenta forem ligados com sucesso, as lâmpadas de ativação sem fios acendem a verde durante 2 segundos e começam a piscar a azul.

**NOTA:** As lâmpadas de ativação sem fios acabam de piscar a verde após decorridos 20 segundos. Pressione o botão de ativação sem fios da ferramenta enquanto a lâmpada de ativação sem fios do aspirador estiver a piscar. Se a lâmpada de ativação sem fios não piscar a verde, pressione o botão de ativação sem fios por breves instantes e mantenha-o pressionado novamente.

**NOTA:** Quando realizar dois ou mais registos da ferramenta para um aspirador, conclua o registo da ferramenta um por um.

### Iniciar a função de ativação sem fios

**NOTA:** Conclua o registo da ferramenta para o aspirador antes de realizar a ativação sem fios.

**NOTA:** Consulte também o manual de instruções do aspirador.

Após registar uma ferramenta para o aspirador, o aspirador funciona automaticamente com o funcionamento por interruptor da ferramenta.

1. Instale a unidade sem fios na ferramenta.

2. Ligue a mangueira do aspirador à ferramenta.

► **Fig.41**

3. Regule o interruptor do modo de espera no aspirador para "AUTO".

► **Fig.42:** 1. Interruptor do modo de espera

4. Pressione o botão de ativação sem fios da ferramenta por breves instantes. A lâmpada de ativação sem fios pisca a azul.

► **Fig.43:** 1. Botão de ativação sem fios 2. Lâmpada de ativação sem fios

5. Puxe o gatilho do interruptor da ferramenta.

Verifique se o aspirador funciona enquanto o gatilho do interruptor estiver puxado.

Para parar a ativação sem fios do aspirador, pressione o botão de ativação sem fios da ferramenta.

**NOTA:** A lâmpada de ativação sem fios da ferramenta para de piscar a azul quando não ocorre qualquer utilização durante 2 horas. Neste caso, regule o interruptor do modo de espera do aspirador para "AUTO" e pressione novamente o botão de ativação sem fios da ferramenta.

**NOTA:** O aspirador inicia/para com um atraso.

Ocorre um atraso temporal quando o aspirador deteta o funcionamento por interruptor da ferramenta.

**NOTA:** A distância de transmissão da unidade sem fios poderá variar em função do local e das circunstâncias envolventes.

**NOTA:** Quando duas ou mais ferramentas forem registadas para um aspirador, o aspirador poderá iniciar o seu funcionamento mesmo que não puxe o gatilho do interruptor devido ao facto de outro utilizador estar a utilizar a função de ativação sem fios.

## Descrição do estado da lâmpada de ativação sem fios

► **Fig.44:** 1. Lâmpada de ativação sem fios

A lâmpada de ativação sem fios exibe o estado da função de ativação sem fios. Consulte a tabela seguinte para obter o significado do estado da lâmpada.

Estado	Lâmpada de ativação sem fios			Duração	Descrição
	Cor	<input type="checkbox"/> Ligada	<input type="checkbox"/> A piscar		
Modo de espera	Azul	<input checked="" type="checkbox"/>		2 horas	A ativação sem fios do aspirador está disponível. A lâmpada desliga automaticamente quando o aspirador não é utilizado durante 2 horas.
		<input type="checkbox"/>	<input checked="" type="checkbox"/>	Quando a ferramenta estiver a funcionar.	A ativação sem fios do aspirador está disponível e a ferramenta está a funcionar.
Registo da ferramenta	Verde	<input checked="" type="checkbox"/>		20 segundos	Preparado para o registo da ferramenta. A aguardar o registo pelo aspirador.
		<input type="checkbox"/>	<input checked="" type="checkbox"/>	2 segundos	O registo da ferramenta foi concluído. A lâmpada de ativação sem fios começa a piscar a azul.
Cancelar o registo da ferramenta	Vermelho	<input checked="" type="checkbox"/>		20 segundos	Preparado para o cancelamento do registo da ferramenta. A aguardar o cancelamento pelo aspirador.
		<input type="checkbox"/>	<input checked="" type="checkbox"/>	2 segundos	O cancelamento do registo da ferramenta foi concluído. A lâmpada de ativação sem fios começa a piscar a azul.
Outros	Vermelho	<input type="checkbox"/>	<input checked="" type="checkbox"/>	3 segundos	A alimentação elétrica é fornecida à unidade sem fios e a função de ativação sem fios é iniciada.
	Desligada	-	-	-	A ativação sem fios do aspirador é interrompida.

## Cancelar o registo da ferramenta para o aspirador

Realize o procedimento seguinte quando cancelar o registo da ferramenta para o aspirador.

1. Instale as baterias no aspirador e na ferramenta.
2. Regule o interruptor do modo de espera no aspirador para "AUTO".

► **Fig.45:** 1. Interruptor do modo de espera

3. Pressione o botão de ativação sem fios do aspirador durante 6 segundos. A lâmpada de ativação sem fios pisca a verde e fica vermelha, em seguida. Seguidamente, pressione o botão de ativação sem fios da ferramenta da mesma forma.

► **Fig.46:** 1. Botão de ativação sem fios 2. Lâmpada de ativação sem fios

Se o cancelamento for realizado com sucesso, as lâmpadas de ativação sem fios acendem a vermelho durante 2 segundos e começam a piscar a azul.

**NOTA:** As lâmpadas de ativação sem fios acabam de piscar a vermelho após decorridos 20 segundos. Pressione o botão de ativação sem fios da ferramenta enquanto a lâmpada de ativação sem fios do aspirador estiver a piscar. Se a lâmpada de ativação sem fios não pisca a vermelho, pressione o botão de ativação sem fios por breves instantes e mantenha-o pressionado novamente.

## Resolução de problemas para a função de ativação sem fios

Antes de pedir uma reparação, realize primeiro a sua própria inspeção. Se encontrar um problema que não esteja explicado no manual, não tente desmontar a ferramenta. Em vez disso, peça as reparações nos centros de assistência técnica autorizados da Makita, usando sempre peças de substituição da Makita.

Estado da anomalia	Causa provável (avaria)	Correção
A lâmpada de ativação sem fios não acende/pisca.	A unidade sem fios não está instalada na ferramenta. A unidade sem fios está instalada incorretamente na ferramenta.	Instale a unidade sem fios corretamente.
	O terminal da unidade sem fios e/ou a ranhura estão sujos.	Limpe delicadamente a poeira e a sujidade do terminal da unidade sem fios e limpe a ranhura.
	O botão de ativação sem fios da ferramenta não foi pressionado.	Pressione o botão de ativação sem fios da ferramenta por breves instantes.
	O interruptor do modo de espera do aspirador não está regulado para "AUTO".	Regule o interruptor do modo de espera no aspirador para "AUTO".
	Sem fornecimento de alimentação elétrica	Forneça alimentação elétrica à ferramenta e ao aspirador.
Não foi possível concluir o registo da ferramenta / o cancelamento do registo da ferramenta com sucesso.	A unidade sem fios não está instalada na ferramenta. A unidade sem fios está instalada incorretamente na ferramenta.	Instale a unidade sem fios corretamente.
	O terminal da unidade sem fios e/ou a ranhura estão sujos.	Limpe delicadamente a poeira e a sujidade do terminal da unidade sem fios e limpe a ranhura.
	O interruptor do modo de espera do aspirador não está regulado para "AUTO".	Regule o interruptor do modo de espera no aspirador para "AUTO".
	Sem fornecimento de alimentação elétrica	Forneça alimentação elétrica à ferramenta e ao aspirador.
	Funcionamento incorreto	Pressione o botão de ativação sem fios por breves instantes e volte a realizar os procedimentos de registo da ferramenta/cancelamento.
	A ferramenta e o aspirador estão afastados um do outro (fora do alcance da transmissão).	Aproxime a ferramenta do aspirador. A distância máxima de transmissão é aproximadamente 10 m, contudo, poderá variar de acordo com as circunstâncias.
	Antes de concluir o registo da ferramenta/cancelamento: - o gatilho do interruptor da ferramenta está puxado ou; - o botão de alimentação do aspirador está ligado.	Pressione o botão de ativação sem fios por breves instantes e volte a realizar os procedimentos de registo da ferramenta/cancelamento.
	Os procedimentos de registo da ferramenta para a ferramenta ou aspirador não foram concluídos.	Realize os procedimentos de registo da ferramenta para a ferramenta e para o aspirador ao mesmo tempo.
Interferência radioelétrica por outros aparelhos que geram ondas de rádio de alta intensidade.	Mantenha a ferramenta e o aspirador afastados de aparelhos como dispositivos Wi-Fi e fornos microondas.	

Estado da anomalia	Causa provável (avaria)	Correção
O aspirador não funciona juntamente com o funcionamento por interruptor da ferramenta.	A unidade sem fios não está instalada na ferramenta. A unidade sem fios está instalada incorretamente na ferramenta.	Instale a unidade sem fios corretamente.
	O terminal da unidade sem fios e/ou a ranhura estão sujos.	Limpe delicadamente a poeira e a sujidade do terminal da unidade sem fios e limpe a ranhura.
	O botão de ativação sem fios da ferramenta não foi pressionado.	Pressione o botão de ativação sem fios por breves instantes e certifique-se de que a lâmpada de ativação sem fios está a piscar a azul.
	O interruptor do modo de espera do aspirador não está regulado para "AUTO".	Regule o interruptor do modo de espera no aspirador para "AUTO".
	Estão registadas mais de 10 ferramentas para o aspirador.	Realize o registo da ferramenta novamente. Se estiverem registadas mais de 10 ferramentas para o aspirador, a ferramenta registada mais cedo será cancelada automaticamente.
	O aspirador apagou todos os registos da ferramenta.	Realize o registo da ferramenta novamente.
	Sem fornecimento de alimentação elétrica	Forneça alimentação elétrica à ferramenta e ao aspirador.
	A ferramenta e o aspirador estão afastados um do outro (fora do alcance da transmissão).	Aproxime a ferramenta do aspirador. A distância máxima de transmissão é aproximadamente 10 m, contudo, poderá variar de acordo com as circunstâncias.
	Interferência radioelétrica por outros aparelhos que geram ondas de rádio de alta intensidade.	Mantenha a ferramenta e o aspirador afastados de aparelhos como dispositivos Wi-Fi e fornos microondas.
O aspirador funciona enquanto o gatilho do interruptor não for puxado.	Outros utilizadores estão a utilizar a ativação sem fios do aspirador com as respetivas ferramentas.	Desligue o botão de ativação sem fios das outras ferramentas ou cancele o registo da ferramenta das outras ferramentas.

## MANUTENÇÃO

**⚠PRECAUÇÃO:** Certifique-se sempre de que a ferramenta se encontra desligada e de que a bateria foi retirada antes de executar qualquer inspeção ou manutenção.

**⚠PRECAUÇÃO:** Limpe os resguardos superior e inferior para garantir que não há serradura acumulada que possa impedir a operação do sistema de resguardo inferior. Um sistema de resguardo sujo pode limitar o funcionamento adequado, o que pode resultar em ferimentos pessoais graves. A forma mais eficaz de conseguir esta limpeza é com ar comprimido. Quando estiver a soprar a poeira dos resguardos, certifique-se de que utiliza proteções ocular e respiratória adequadas.

**⚠PRECAUÇÃO:** Após cada utilização, limpe a serragem da ferramenta. A poeira fina pode entrar na ferramenta e causar uma anomalia ou um incêndio.

**OBSERVAÇÃO:** Nunca utilize gasolina, benzina, diluente, álcool ou produtos semelhantes. Pode ocorrer a descoloração, deformação ou rachaduras.

Para manter a SEGURANÇA e a FIABILIDADE do produto, as reparações e qualquer outra manutenção ou ajuste devem ser levados a cabo pelos centros de assistência Makita autorizados ou pelos centros de assistência de fábrica, utilizando sempre peças de substituição Makita.

## Ajustar a precisão do corte de 0° ou do corte de 45°

Este ajuste foi feito na fábrica. Mas se estiver desalinhada, pode ajustar mediante o seguinte procedimento.

1. Solte os parafusos de fixação na parte da frente e de trás da ferramenta, de modo a poder alterar o ângulo de bisel. Coloque o batente na posição de ângulo de bisel de 0° - 45° se pretender ajustar a precisão de corte de 45°.

► Fig.47: 1. Batente

2. Coloque a base perpendicular ou a 45° em relação à lâmina de serra circular utilizando uma régua triangular, rodando o parafuso de ajuste com uma chave hexagonal. Também pode utilizar uma régua quadrada para ajustar o ângulo de 0°.

► Fig.48: 1. Régua triangular

► Fig.49: 1. Parafuso de ajuste para ângulo de 0°  
2. Parafuso de ajuste para ângulo de 45°

3. Aperte os parafusos de fixação e realize em seguida um corte de teste para verificar se obteve o ângulo pretendido.



## Ajustar o paralelismo

**⚠PRECAUÇÃO:** Mantenha o paralelismo preciso. Caso contrário, a lâmina de serra circular pode morder a calha-guia e a calha-guia danificada pode causar uma lesão.

Este ajuste foi feito na fábrica. Mas se estiver desalinhada, pode ajustar mediante o seguinte procedimento.

1. Instale a ferramenta de acordo com a profundidade máxima de corte.
2. Certifique-se de que todas as alavancas e parafusos estão apertados.
3. Solte os parafusos indicados na figura.
4. Enquanto abre o resguardo inferior, mova a parte de trás da base de modo a que as distâncias A e B sejam iguais.  
► **Fig.50:** 1. Parafuso 2. Base
5. Aperte os parafusos e realize um corte de teste para verificar o paralelismo.

## ACESSÓRIOS OPCIONAIS

**⚠PRECAUÇÃO:** Estes acessórios ou peças são recomendados para utilização com a ferramenta Makita especificada neste manual. A utilização de outros acessórios ou peças pode ser perigosa para as pessoas. Utilize apenas acessórios ou peças para os fins indicados.

Se necessitar de informações adicionais relativas a estes acessórios, solicite-as ao seu centro de assistência Makita.

- Lâmina de serra circular
- Guia paralela (régua guia)
- Gancho
- Calha-guia
- Guia de bisel
- Grampo
- Folha
- Folha de borracha
- Folha de posição
- Bocal de poeira
- Chave sextavada
- Unidade sem fios (para DHS783)
- Bateria e carregador genuínos da Makita

**NOTA:** Alguns itens da lista podem estar incluídos na embalagem da ferramenta como acessórios padrão. Eles podem variar de país para país.

## DANSK (Oprindelige instruktioner)

### SPECIFIKATIONER

Model:	DHS782	DHS783
Klangediameter	185 - 190 mm	
Maksimal skæredybde	ved 0°	60,0 - 62,5 mm
	ved 45° skråsnit	43,0 - 44,5 mm
	ved 48° skråsnit	41,0 - 42,0 mm
Hastighed uden belastning	6.000 min <sup>-1</sup>	
Længde i alt	348 mm	
Mærkespænding	D.C. 36 V	
Nettovægt	4,5 - 5,1 kg	

- På grund af vores kontinuerlige forsknings- og udviklingsprogrammer kan hosstående specifikationer blive ændret uden varsel.
- Specifikationer og akku kan variere fra land til land.
- Vægten kan være anderledes afhængigt af tilbehøret, inklusive akkuen. Den letteste og tungeste kombination i henhold til EPTA-procedure 01/2014 er vist i tabellen.

#### Anvendelig akku og oplader

Akku	BL1815N / BL1820 / BL1820B / BL1830 / BL1830B / BL1840 / BL1840B / BL1850 / BL1850B / BL1860B
Oplader	DC18RC / DC18RD / DC18RE / DC18SD / DC18SE / DC18SF

- Nogle af de akkuer og opladere, der er angivet ovenfor, er muligvis ikke tilgængelige, afhængigt af hvilket område du bor i.

**⚠ ADVARSEL:** Brug kun de akkuer og opladere, der er angivet ovenfor. Brug af andre akkuer og opladere kan medføre personskade og/eller brand.

#### Tilsligtet anvendelse

Denne maskine er beregnet til at lave lige snit i længden og bredden og ringssnit med vinkler i træ med maskinen i tæt berøring med arbejdsstykket. Der kan også saves i andre materialer med de rette originale Makita-savklinger.

#### Lyd

Det typiske A-vægtede støjniveau bestemt i overensstemmelse med EN62841-2-5:

##### Model DHS782

Lydtryksniveau ( $L_{pA}$ ): 93 dB (A)  
Lydeffektniveau ( $L_{WA}$ ): 104 dB (A)  
Usikkerhed (K): 3 dB (A)

##### Model DHS783

Lydtryksniveau ( $L_{pA}$ ): 93 dB (A)  
Lydeffektniveau ( $L_{WA}$ ): 104 dB (A)  
Usikkerhed (K): 3 dB (A)

**BEMÆRK:** De(n) angivne støjemissionsværdi(er) er målt i overensstemmelse med en standardtestmetode og kan anvendes til at sammenligne en maskine med en anden.

**BEMÆRK:** De(n) angivne støjemissionsværdi(er) kan også anvendes i en præliminær eksponeringsvurdering.

#### ⚠ ADVARSEL: Bær høreværn.

**⚠ ADVARSEL:** Støjemissionen under den faktiske anvendelse af maskinen kan være forskellig fra de(n) angivne værdi(er), afhængigt af den måde hvorpå maskinen anvendes, især den type arbejdsemne der behandles.

**⚠ ADVARSEL:** Sørg for at identificere de sikkerhedsforskrifter til beskyttelse af operatøren, som er baseret på en vurdering af eksponering under de faktiske brugsforhold (med hensyntagen til alle dele i brugscyklussen, f.eks. de gange, hvor maskinen er slukket, og når den kører i tomgang i tilgift til afbrydertiden).

#### Vibration

Vibrationens totalværdi (tre-aksial vektorsum) bestemt i overensstemmelse med EN62841-2-5:

##### Model DHS782

Arbejdstilstand: skæring i træ  
Vibrationsemission ( $a_{h,W}$ ): 2,5 m/s<sup>2</sup> eller mindre  
Usikkerhed (K): 1,5 m/s<sup>2</sup>

Arbejdstilstand: skæring i metal  
Vibrationsemission ( $a_{h,M}$ ): 2,5 m/s<sup>2</sup> eller mindre  
Usikkerhed (K): 1,5 m/s<sup>2</sup>

##### Model DHS783

Arbejdstilstand: skæring i træ  
Vibrationsemission ( $a_{h,W}$ ): 2,5 m/s<sup>2</sup> eller mindre  
Usikkerhed (K): 1,5 m/s<sup>2</sup>

Arbejdstilstand: skæring i metal  
Vibrationsemission ( $a_{h,M}$ ): 2,5 m/s<sup>2</sup> eller mindre  
Usikkerhed (K): 1,5 m/s<sup>2</sup>

**BEMÆRK:** De(n) angivne totalværdi(er) for vibration er målt i overensstemmelse med en standardtestmetode og kan anvendes til at sammenligne en maskine med en anden.

**BEMÆRK:** De(n) angivne totalværdi(er) for vibration kan også anvendes i en præliminær eksponeringsvurdering.

**⚠ ADVARSEL:** Vibrationsemissionen under den faktiske anvendelse af maskinen kan være forskellig fra de(n) angivne værdi(er), afhængigt af den måde hvorpå maskinen anvendes, især den type arbejdsemne der behandles.

**⚠ ADVARSEL:** Sørg for at identificere de sikkerhedsforskrifter til beskyttelse af operatøren, som er baseret på en vurdering af eksponering under de faktiske brugsforhold (med hensyntagen til alle dele i brugscyklussen, f.eks. de gange, hvor maskinen er slukket, og når den kører i tomgang i tilgift til afbrydertiden).

## EU-overensstemmelseserklæring

### Kun for lande i Europa

EU-overensstemmelseserklæringen er inkluderet som Bilag A i denne brugsanvisning.

## SIKKERHEDSADVARSLER

### Almindelige sikkerhedsregler for el-værktøj

**⚠ ADVARSEL:** Læs alle de sikkerhedsadvarsler, instruktioner, illustrationer og specifikationer, der følger med denne maskine. Forsømmelse af at overholde alle nedenstående instruktioner kan medføre elektrisk stød, brand og/eller alvorlig personskade.

### Gem alle advarsler og instruktioner til fremtidig reference.

Ordet "el-værktøj" i advarslerne henviser til det netforsynede (netledning) el-værktøj eller batteriforsynede (akku) el-værktøj.

### Sikkerhedsadvarsler for ledningsfri rundsav

#### Fremgangsmåder for skæring

- ⚠ FARE:** Hold hænderne på god afstand af skærområdet og klingens. Hold den anden hånd på hjælpehåndtaget eller motorhuset. Hvis De holder saven med begge hænder, kan klingens ikke komme til at skære i dem.
- Ræk ikke ned under arbejdsemnet.** Beskyttelsesskærmen kan ikke beskytte Dem mod klingens neden under arbejdsemnet.
- Justér skæredybden efter tykkelsen af arbejdsemnet.** Mindre end en hel tand i klingetænderne bør være synlig under arbejdsemnet.

- Hold aldrig arbejdsemnet i hænderne eller hen over benet, mens der skæres. Fastgør arbejdsemnet til en stabil platform.** Det er vigtigt at understøtte arbejdsemnet korrekt for at minimere risikoen for udsættelse af kroppen, binding af klingens eller tab af kontrollen.

#### ► Fig.1

- Hold maskinen i dens isolerede gribeblader, når du udfører et stykke arbejde, hvor skæreværktøjet kan komme i berøring med skjulte ledninger.** Kontakt med en strømførende ledning vil bevirke, at blottede metaldele på maskinen også bliver strømførende, hvorved operatøren kan få stød.
- Ved kløvning skal der altid anvendes et parallelslag eller en lige styreskinne.** Dette vil forbedre nøjagtigheden af snittet og mindske risikoen for, at klingens binder.
- Brug altid klings med akselhuller af den korrekte størrelse og form (kantede eller runde).** Klings, der ikke svarer til savens monteringsdele, vil rotere skævt, så du mister kontrollen.
- Anvend aldrig beskadigede eller forkerte spændeskiver og bolte til klingens.** Klingens spændeskiver og bolte er specielt fremstillede til Deres sav og til optimal ydelse og sikker anvendelse.

#### Årsager til tilbageslag og relaterede advarsler

- Tilbageslag er en pludselig reaktion på en fastklemt, fastsiddende eller forkert justeret savklinge, som kan medføre, at en ukontrolleret sav løftes opad og ud af arbejdsemnet i retning mod operatøren.
- Når klingens kommer i klemme eller sidder fast, fordi savsnittet lukkes sammen, stopper klingens, og motorreaktionen skubber apparatet hurtigt tilbage mod operatøren.
- hvis klingens bliver bøjet eller fejljusteret i snittet, kan tænderne på bagkanten af klingens grave sig ind i træets øverste overflade, hvorved klingens kan smutte ud af savsnittet og springe tilbage i retning mod operatøren.

Tilbageslag skyldes forkert anvendelse af savens og/eller forkert fremgangsmåde for anvendelse eller forkerte forhold og kan undgås ved, at der træffes de rigtige forholdsregler som vist herunder.

- Oprethold et fast greb med begge hænder på savens, og hold armene således, at tilbageslagskraften modvirkes. Stil Dem på siden af klingens, men ikke på linje med den.** Tilbageslag kan bevirke, at savens springer bagud, men tilbageslagskraften kan kontrolleres af operatøren, hvis denne træffer de fornødne forholdsregler.
- Hvis klingens binder, eller hvis skæringen af en eller anden årsag afbrydes, skal De slippe afbryderknappen og holde savens stille i materialet, indtil klingens er standset helt. Forsøg aldrig at fjerne savens fra arbejdsemnet eller at trække savens bagud, mens klingens er i bevægelse, da dette kan medføre tilbageslag.** Undersøg situationen, og træf afhjælpningsforanstaltninger for at eliminere årsagen til, at klingens binder.
- Når savens startes igen i arbejdsemnet, skal du centrere savklingens i savsnittet, så savtænderne ikke sidder fast i emnet.** Hvis savklingens binder, kan den bevæge sig opad eller slå tilbage fra arbejdsemnet, når savens startes igen.

4. **Anvend store støtteplader til at minimere risikoen for fastklemning af klingen og tilbageslag.** Store plader har tendens til at synke under deres egen vægt. Der skal anbringes støtter under pladerne i begge sider, i nærheden af skærelinjen og nær kanten af pladen.

► Fig.2

► Fig.3

5. **Anvend ikke sløve eller beskadigede klinger.** Uskarpe eller forkert monterede klinger frembringer et snævert savsnit, som medfører kraftig friktion, binding af klingens og tilbageslag.
6. **Låsegrebene til klingedybde og skrånitstilling skal være stramme og sikre, inden skæringen påbegyndes.** Hvis klingeindstillingen ændrer sig under skæringen, kan der opstå binding og tilbageslag.
7. **Vær særlig forsigtig, når der saves ind i eksisterende vægge eller andre skjulte områder.** Savklingen, som stikker frem, kan komme til at skære i genstande, der kan medføre tilbageslag.
8. **Hold ALTID fast i maskinen med begge hænder. Placér ALDRIG Deres hånd, ben eller nogen del af kroppen under maskinens grundplade eller bag ved saven, især når De foretager krydssnit.** Hvis der opstår tilbageslag, kan saven nemt springe bagud over Deres hånd, hvorved der kan ske alvorlig personskade.

► Fig.4

9. **Pres aldrig saven. Tryk saven fremad med en hastighed, så klingens skærer, uden at hastigheden sænkes.** Hvis De presser saven, kan der opstå uensartede skæringer, tab af præcision og muligt tilbageslag.

#### Beskyttelsesskærmens funktion

1. **Kontroller, at den nederste beskyttelsesskærm lukker korrekt inden hver brug. Anvend ikke saven, hvis den nederste beskyttelsesskærm ikke bevæger sig frit og lukker med det samme. Den nederste beskyttelsesskærm må aldrig fastspændes eller fastbindes i den åbne stilling.** Hvis saven ved et uheld tabes, kan den nederste beskyttelsesskærm blive bøjet. Hæv den nederste beskyttelsesskærm med tilbagetrækningshåndtaget og kontroller, at den bevæger sig frit og ikke kommer i berøring med klingens eller andre dele i alle vinkler og skæredybder.
2. **Kontroller den nederste beskyttelsesskærmfjederens funktion. Hvis beskyttelsesskærmen og fjederen ikke fungerer korrekt, skal de serviceres inden brugen.** Den nederste beskyttelsesskærm kan fungere trægt på grund af beskadigede dele, gummiaflejringer eller ansamling af affaldsstoffer.
3. **Den nederste beskyttelsesskærm må kun trækkes tilbage manuelt i tilfælde af specielle snit som for eksempel "stikssnit" eller "kombinerede snit". Hæv den nederste beskyttelsesskærm ved at trække håndtaget tilbage, og så snart klingens går ind i materialet, bør den nederste beskyttelsesskærm slippes.** Ved alle andre former for savning skal den nederste beskyttelsesskærm have lov at bevæge sig automatisk.

4. **Sørg altid for, at den nederste beskyttelsesskærm dækker klingens, inden saven anbringes på bænken eller gulvet.** En ubeskyttet, roterende klinge vil bevirke, at saven bevæger sig bagud og skærer i alt, hvad der er i dens bane. Vær opmærksom på den tid, det tager for klingens at stoppe, efter at afbryderen er sluppet.
5. **For at kontrollere den nederste beskyttelsesskærm, skal man åbne den med hånden og derefter slippe den og bekræfte lukningen af skærmen. Kontroller ligeledes, at tilbagetrækningshåndtaget ikke kommer i berøring med maskinhuset.** At efterlade klingens synlig er MEGET FARLIGT og kan føre til alvorlig personskade.

#### Supplerende sikkerhedsforskrifter

1. **Vær ekstra forsigtig, hvis De skærer i fugtigt træ, trykbehandlet tømmer eller træ, som har knaster.** Før maskinen jævnt frem uden at mindske klingens hastighed, således at overophedning af klingens takker undgås.
2. **Forsøg ikke at fjerne afskåret materiale, mens klingen roterer. Vent, indtil klingens er standset, inden De fjerner afskåret materiale.** Klingens fortsætter med at rotere, efter at der er slukket for maskinen.
3. **Undgå at skære i søm. Se efter, om der er søm i tømmeret, og fjern alle søm, inden skæringen påbegyndes.**
4. **Anbring den bredeste del af savgrundpladen på den del af arbejdsstykket, som er solidt understøttet, ikke på den del, som vil falde af, når skæringen er fuldført. Hvis arbejdsstykket er kort eller lille, skal det spændes fast. FORSØG IKKE AT HOLDE KORTE ARBEJDSSTYKKE FAST MED HÅNDEN!**

► Fig.5

5. **Inden De lægger maskinen fra Dem efter at have fuldført en skæring, skal De sikre Dem, at beskyttelsesskærmen er lukket, og at klingens er standset fuldstændigt.**
6. **Forsøg aldrig at save med rundsaven holdt på hovedet i en skruetvinge. Dette er yderst farligt og kan føre til alvorlige ulykker.**

► Fig.6

7. **Noget materiale indeholder kemikalier, som kan være giftige. Vær påpasselig med ikke at indånde støv, og undgå hudkontakt. Følg fabrikantens sikkerhedsdata.**
8. **Stop ikke klingen ved hjælp af lateralt tryk på savklingen.**
9. **Anvend ikke slibeskiver.**
10. **Anvend kun savklinger med den diameter, der er markeret på maskinen eller specificeret i manualen.** Brug af en klinge med en forkert størrelse kan hindre korrekt afskærmning af klingens eller beskyttelsesskærmens funktion, hvilket kan medføre alvorlig personskade.
11. **Hold altid klingens skarp og ren.** Gummi og træbeg, som er størknet på klingens, gør savens langsomme og øger risikoen for tilbageslag. Hold altid klingens ren ved først at tage den af maskinen og derefter rengøre den med en gummi- og begfjerner, varmt vand eller petroleum. Anvend aldrig benzin.

12. Bær altid støvmaske og høreværn, når De anvender maskinen.
13. Brug altid en savklinge, der er beregnet til at skære i det materiale, du skal skære i.
14. Brug kun savklinger, der er mærket med en hastighed svarende til eller større end den hastighed, der er angivet på maskinen.
15. (Kun for lande i Europa)  
Brug altid en klinger, der overholder EN847-1.

## GEM DISSE FORSKRIFTER.

**⚠ ADVARSEL:** LAD IKKE bekvemmelighed eller kendskab til produktet (opnået gennem gentagen brug) forhindre, at sikkerhedsforskrifterne for produktet nøje overholdes. MISBRUG eller forsømmelse af at følge de i denne brugsvejledning givne sikkerhedsforskrifter kan medføre alvorlig personskade.

### Vigtige sikkerhedsinstruktioner for akkuen

1. Læs alle instruktioner og advarselmærkater på (1) akku-opladeren, (2) akkuen og (3) produktet, som anvender akku.
2. Lad være med at skille akkuen ad.
3. Hold straks op med anvendelsen, hvis brugstiden er blevet stærkt afkortet. Fortsat anvendelse kan resultere i risiko for overophedning, forbrændinger og endog eksplosion.
4. Hvis De har fået elektrolytvæske i øjnene, skal De straks skylle den ud med rent vand og derefter øjeblikkeligt søge lægehjælp. I modsat fald kan De miste synet.
5. Vær påpasselig med ikke at komme til at kortslutte akkuen:
  - (1) Rør ikke ved terminalerne med noget ledende materiale.
  - (2) Undgå at opbevare akkuen i en beholder sammen med andre genstande af metal, for eksempel søm, mønter og lignende.
  - (3) Udsæt ikke akkuen for vand eller regn. Kortslutning af akkuen kan forårsage en kraftig øgning af strømmen, overophedning, mulige forbrændinger og endog værktøjstop.
6. Opbevar ikke værktøjet og akkuen på et sted, hvor temperaturen kan nå eller overstige 50 °C.
7. Lad være med at brænde akkuen, selv ikke i tilfælde, hvor den har lidt alvorlig skade eller er fuldstændig udtjent. Akkuen kan eksplodere, hvis man forsøger at brænde den.
8. Lad være med at brænde akkuen eller udsætte den for stød.
9. Anvend ikke en beskadiget akku.
10. De indbyggede litium-ion-batterier er underlagt lovkrav vedrørende farligt gods. Ved kommerciel transport, f.eks. af tredjeparts transportselskaber, skal særlige krav til forpakning og mærkning overholdes. Ved forberedelse af udstyret til forsendelse skal du kontakte en ekspert i farligt gods. Overhold også eventuel mere detaljeret national lovgivning. Tape eller tildæk åbne kontakter, og pak batteriet på en måde, så det ikke kan flytte sig rundt i pakningen.

11. Følg de lokale love vedrørende bortskaffelsen af batterier.
12. Brug kun batterierne med de produkter, som Makita specificerer. Hvis batterierne installeres i ikke-kompatible produkter, kan det medføre brand, kraftig varme, eksplosion eller udsivning af elektrolyt.

## GEM DENNE BRUGSANVISNING.

**⚠ FORSIGTIG:** Brug kun originale batterier fra Makita. Brug af uoriginale Makita-batterier, eller batterier som er blevet ændret, kan muligvis medføre brud på batteriet, hvilket kan forårsage brand, personskade eller beskadigelse. Det ugyldiggør også Makita-garantien for Makita-maskinen og opladeren.

### Tips til opnåelse af maksimal akku-levetid

1. Oplad akkuen, inden den er helt afladet. Stop altid værktøjet, og oplad akkuen, hvis De bemærker, at værktøjeffekten er aftagende.
2. Genoplad aldrig en fuldt opladet akku. Overopladning vil afkorte akkuens levetid.
3. Oplad akkuen ved stuetemperatur ved 10 °C - 40 °C. Lad altid en varm akku få tid til at køle af, inden den oplades.
4. Oplad akkuen, hvis De ikke skal bruge den i længere tid (mere end seks måneder).

### Vigtige sikkerhedsinstruktioner for trådløs enhed

1. Undlad at adskille eller ændre den trådløse enhed.
2. Opbevar den trådløse enhed utilgængeligt for små børn. Søg øjeblikkeligt læge, hvis den sluges ved et uheld.
3. Brug kun den trådløse enhed sammen med maskiner fra Makita.
4. Udsæt ikke den trådløse enhed for regn eller våde omgivelser.
5. Brug ikke den trådløse enhed på steder, hvor temperaturen overskrider 50 °C.
6. Brug ikke den trådløse enhed i nærheden af medicinske instrumenter som f.eks. pacemakere.
7. Brug ikke den trådløse enhed i nærheden af automatiske enheder. Hvis den bruges, kan automatiske enheder udvikle fejlfunktion eller fejl.
8. Undlad at betjene den trådløse enhed på steder med høje temperaturer eller steder, hvor der kan genereres statisk elektricitet eller elektrisk støj.
9. Den trådløse enhed kan frembringe elektromagnetiske felter (EMF), men de er ikke skadelige for brugeren.
10. Den trådløse enhed er et præcisionsinstrument. Undgå at tabe eller slå på den trådløse enhed.
11. Undgå at berøre terminalen på den trådløse enhed med de bare hænder eller metalliske materialer.

12. Tag altid batteriet ud af produktet, når den trådløse enhed monteres på det.
13. Når låget på åbningen åbnes, skal du undgå steder, hvor der kan komme støv eller vand ind i åbningen. Hold altid indgangen til åbningen ren.
14. Indsæt altid den trådløse enhed i den rigtige retning.
15. Undgå at trykke for hårdt på den trådløse aktiveringsknap på den trådløse enhed og/eller at trykke på knappen med en genstand med en skarp kant.
16. Luk altid låget på åbningen under brug.
17. Undlad at fjerne den trådløse enhed fra åbningen, når der er sluttet strøm til maskinen. Hvis du gør dette, kan det medføre funktionsfejl i den trådløse enhed.
18. Undlad at fjerne etiketten på den trådløse enhed.
19. Undlad at sætte nogen etiket på den trådløse enhed.
20. Lad ikke den trådløse enhed ligge på steder, hvor der kan genereres statisk elektricitet eller elektrisk støj.
21. Lad ikke den trådløse enhed ligge på steder, der er udsat for høj varme, for eksempel en bil, der står i solen.
22. Lad ikke den trådløse enhed ligge på et sted med støv eller pulver eller på et sted, hvor der kan udvikles ætsende gas.
23. En pludselig temperaturændring kan forårsage dug på den trådløse enhed. Brug ikke den trådløse enhed, før duggen er tørret helt bort.
24. Ved rengøring af den trådløse enhed skal den aftørres forsigtigt med en tør, blød klud. Brug ikke rensbenzin, fortynder, ledende fedtstof eller lignende.
25. Ved opbevaring af den trådløse enhed skal den opbevares i den medfølgende æske eller i en beholder, der er fri for statisk elektricitet.
26. Indsæt ikke andre enheder end den trådløse enhed fra Makita i åbningen på maskinen.
27. Undlad at bruge maskinen, hvis låget til åbningen er beskadiget. Vand, støv og snavs, der kommer ind i åbningen, kan forårsage fejlfunktion.
28. Undlad at trække og/eller vride låget til åbningen mere end nødvendigt. Sæt låget på igen, hvis det falder af maskinen.
29. Udskift låget til åbningen, hvis det bliver væk eller ødelægges.

## GEM DISSE FORSKRIFTER.

## FUNKTIONSBESKRIVELSE

**⚠FORSIGTIG:** Sørg altid for at maskinen er slukket, og at akkuen er taget ud, før der udføres justering eller kontrol af funktioner på maskinen.

### Isætning eller fjernelse af akkuen

**⚠FORSIGTIG:** Sluk altid for værktøjet, før De monterer eller fjerner akkuen.

**⚠FORSIGTIG:** Hold værktøjet og akkuen fast ved montering eller fjernelse af akkuen. Hvis De ikke holder værktøjet og akkuen fast, kan de glide ud af hænderne på Dem og forårsage beskadigelse af værktøjet og akkuen eller personskade.

**⚠FORSIGTIG:** Sænk altid grundpladen, før du monterer eller fjerner batterierne. Pas på, at du ikke får fingrene i klemme.

**⚠FORSIGTIG:** Undlad at bruge batteriadapteren sammen med rundsaven. Ledningen til batteriadapteren kan hindre brugen og forårsage personskade.

► Fig.7: 1. Håndtag 2. Rød indikator 3. Knap 4. Akku

Før du fjerner akkuen, skal du løsne håndtaget til dybdejustering for at sænke maskinens grundplade. Skub derefter batteriet fra maskinen, mens du skubber knappen på forsiden af akkuen.

Akkuen monteres ved, at De sætter tungen på akkuen ud for noten i kabinettet og lader den glide på plads. Sæt den hele vejen ind, så den låses på plads med et lille klik. Hvis den røde indikator på oversiden af knappen er synlig, betyder det, at den ikke er tilstrækkeligt låst.

**⚠FORSIGTIG:** Monter altid akkuen helt, indtil den røde indikator ikke længere er synlig. Hvis dette ikke gøres, kan den falde ud af værktøjet ved et uheld, hvorved De selv eller personer i nærheden kan komme til skade.

**⚠FORSIGTIG:** Brug ikke magt ved montering af akkuen. Hvis akkuen ikke glider på plads uden problemer, betyder det, at den ikke sættes i på korrekt vis.

**BEMÆRK:** Maskinen fungerer ikke med kun én akku.

### Beskyttelsessystem til værktøj/batteri

Værktøjet er forsynet med et beskyttelsessystem til værktøj/batteri. Dette system afbryder automatisk strømmen til motoren for at forlænge levetiden for værktøjet og batteriet. Værktøjet stopper automatisk under driften, hvis det eller batteriet kommer i en af følgende situationer. I nogle tilfælde lyser indikatorerne.

#### Overbelastningsbeskyttelse

Hvis maskinen bruges på en måde, der får den til at trække en unormalt høj strøm, stopper maskinen automatisk. I denne situation skal du slukke for maskinen og stoppe den anvendelse, som bevirkede, at maskinen blev overbelastet. Tænd derefter for maskinen for at starte igen.

#### Beskyttelse mod overophedning

Hvis maskinen er overophedet, stopper maskinen automatisk, og akku-indikatoren blinker i cirka 60 sekunder. Lad i så fald maskinen køle ned, før der tændes for maskinen igen.

<input type="checkbox"/> Tændt	<input checked="" type="checkbox"/> Blinker

## Beskyttelse mod afladning

Når batteriladningen bliver for lav, stopper værktøjet automatisk. Hvis produktet ikke fungerer, selvom kontakterne betjenes, skal De tage batterierne ud af værktøjet og lade batterierne op.

### Indikation af den resterende batteriladning

► **Fig.8:** 1. Batteriindikator 2. Kontrolknap

Tryk på kontrolknappen for at få vist de resterende batteriladning. Batteriindikatorerne svarer til hvert enkelt batteri.

Status på batteriindikator			Resterende batteriladning
<input type="checkbox"/> Tændt	<input type="checkbox"/> Slukket	<input checked="" type="checkbox"/> Blinker	
			50% til 100%
			20% til 50%
			0% til 20%
			Genoplad batteriet

### Indikation af den resterende batteriladning

**Kun til akkuer med indikatoren**

► **Fig.9:** 1. Indikatorlamper 2. Kontrolknap

Tryk på kontrolknappen på akkuen for at få vist den resterende batteriladning. Indikatorlamperne lyser i nogle sekunder.

Indikatorlamper			Resterende ladning
<input type="checkbox"/> Tændt	<input type="checkbox"/> Slukket	<input checked="" type="checkbox"/> Blinker	
■ ■ ■ ■			75% til 100%
■ ■ ■ □			50% til 75%
■ ■ □ □			25% til 50%
■ □ □ □			0% til 25%
■ □ □ □			Genoplad batteriet.
■ ■ □ □	↑ ↓		Der er muligvis fejl i batteriet.
□ □ ■ ■			

**BEMÆRK:** Afhængigt af brugsforholdene og den omgivende temperatur kan indikationen afvige en smule fra den faktiske ladning.

## Afbryderbetjening

**⚠ ADVARSEL:** Inden akkuen sættes i maskinen, bør De altid kontrollere, at afbryderknappen fungerer korrekt, og returnerer til "OFF"-positionen, når den slippes.

**⚠ ADVARSEL:** Omgå ALDRIG lås fra-knappens funktion ved at tape den fast eller på andre måder. En afbryder med en blokeret lås fra-knap kan medføre utilsigtet funktion og alvorlig personskade.

**⚠ ADVARSEL:** Brug ALDRIG maskinen, hvis den kører, når du blot trykker på afbryderknappen uden at trykke på lås fra-knappen. En afbryder, der skal repareres, kan medføre utilsigtet funktion og alvorlig personskade. Returner maskinen til et Makita-servicecenter for nødvendige reparationer INDEN yderligere brug.

For at forhindre utilsigtet indtrykning af afbryderknappen er maskinen udstyret med en lås fra-knap. For at starte maskinen skal man trykke lås fra-knappen ind og trykke på afbryderknappen. Slip afbryderknappen for at stoppe.

► **Fig.10:** 1. Afbryderknap 2. Lås fra-knap

**BEMÆRKNING:** Tryk ikke hårdt på afbryderkontakten uden først at trykke aflåseknapen ind. Dette kan ødelægge afbryderkontakten.

**⚠ FORSIGTIG:** Maskinen begynder med det samme at bremse rundsavsklingens bevægelse, når du slipper afbryderknappen. Hold godt fast i maskinen for at reagere på bremsereaktionen, når du slipper afbryderknappen. Pludselig reaktion kan kaste maskinen ud af hånden på dig og medføre personskade.

## Funktion til automatisk hastighedsændring




Denne maskine har en "høj hastighedstilstand" og en "høj momenttilstand".

Maskinen skifter automatisk funktionstilstand afhængigt af arbejdsbelastningen. Hvis arbejdsbelastningen er lav, kører maskinen i "høj hastighedstilstand" for hurtigere skæringsfunktion. Hvis arbejdsbelastningen er høj, kører maskinen i "høj momenttilstand" for kraftig skæringsfunktion.

► **Fig.11:** 1. Tilstandsindikator

Tilstandsindikatoren lyser grønt, når maskinen kører i "høj momenttilstand".

Hvis maskinen anvendes ved for stor belastning, blinker tilstandsindikatoren grønt. Tilstandsindikatoren holder op med at blinke og lyser derefter eller slukkes, hvis du reducerer belastningen på maskinen.

Status for tilstandsindikator			Funktionstilstand
<input checked="" type="radio"/> Tændt	<input type="radio"/> Slukket	<input type="radio"/> Blinker	
			Høj hastighedstilstand
			Høj momenttilstand
			Advarsel om overbelastning

## Justering af skæredybde

**⚠FORSIGTIG:** Spænd altid håndtaget forsvarligt til efter justering af skæredybden.

Løsn håndtaget på dybdeguiden og flyt grundpladen op og ned. Ved den ønskede skæredybde gøres grundpladen fast ved at spænde håndtaget til.

Renere og sikrere snit kan opnås, hvis man indstiller skæredybden således, at ikke flere end en enkelt savtand stikker ud under arbejdsstykket. Anvendelse af en rigtig skæredybde bidrager til at reducere risikoen for farlige TILBAGESLAG, som kan medføre personskaade.

► Fig.12: 1. Håndtag

## Skråsnit

**⚠FORSIGTIG:** Spænd altid spændeskruerne forsvarligt til efter justering af skråsnitsvinklen.

Løsn spændeskruerne. Indstil til den ønskede vinkel ved at udføre den rigtige hældning, og stram derefter spændeskruerne godt til.

► Fig.13: 1. Spændeskruer

Brug stopperen, når du skærer med en vinkel på nøjagtigt 45°. Drej stopperen helt som vist, afhængigt af om du foretager et 0° - 45° skråsnit eller et 0° - 48° skråsnit.

► Fig.14: 1. Stopper

## Indstilling

Ved lige snit rettes 0°-positionen på forkanten af grundpladen ind efter skærelinjen. Ved 45° skråsnit rettes 45°-positionen ind efter den.

► Fig.15: 1. Skærelinje (0°-position) 2. Skærelinje (45°-position)

## Tænding af lampen

**⚠FORSIGTIG:** Kig aldrig direkte på lyskilden. Lad ikke lyset falde i Deres øjne.

Hvis du vil tænde lampen uden at starte maskinen, skal du trykke på afbryderknappen uden at trykke på lås fra-knappen. Hvis du vil tænde lampen, mens maskinen kører, skal du trykke på og holde lås fra-knappen og trykke på afbryderknappen.

Lampen slukkes, 10 sekunder efter at afbryderknappen slippes.

► Fig.16: 1. Lampe

**BEMÆRK:** Brug en tør klud til at tørre snavset af lampens linse. Pas på ikke at ridsse lampens linse, da dette muligvis kan dæmpe belysningen.

## Krog

### Ekstraudstyr

**⚠FORSIGTIG:** Tag altid batteriet ud, når du hænger maskinen på kroge.

**⚠FORSIGTIG:** Hæng aldrig maskinen på kroge på højtliggende steder eller på overflader, hvor maskinen kan miste balancen og falde ned.

**⚠FORSIGTIG:** Træk ikke nedad i maskinen, når den hænger på kroge.

Kroge er praktisk til midlertidig ophængning af maskinen.

► Fig.17

Monter krogen med skrue som vist.

► Fig.18: 1. Krog 2. Skrue

For at benytte kroge skal du blot dreje kroge, indtil den klikker på plads i den åbne stilling.

Drej altid kroge, indtil den klikker på plads i den lukkede stilling, når den ikke benyttes.

► Fig.19: 1. Åben stilling 2. Lukket stilling

## Elektrisk bremse

Maskinen har en elektrisk klingebremse. Hvis maskinen konsekvent ikke stopper rundsavsklingen hurtigt, når kontakthåndtaget slippes, skal der udføres service på maskinen på et Makita servicecenter.

**⚠FORSIGTIG:** Klingebremsesystemet er ikke en erstatning for en beskyttelsesskærm. ANVEND ALDRIG MASKINEN UDEN EN FUNGERENDE BESKYTTELSSESKÆRM. DETTE KAN MEDFØRE ALVORLIG PERSONSKADE.

## Elektronisk funktion

Maskiner, der er udstyret med elektronisk funktion, er nemme at betjene på grund af følgende funktion(er).

### Funktion til blød start

Blød start, fordi ryk ved start dæmpes.

## SAMLING

**⚠FORSIGTIG:** Sørg altid for at maskinen er slukket, og at akkuen er taget ud, før der udføres noget arbejde på maskinen.

## Opbevaring af unbrakonøgle

Når unbrakonøglen ikke anvendes, skal den opbevares som vist på illustrationen, så den ikke bortkommer.

► Fig.20: 1. Unbrakonøgle



## Afmontering eller montering af rundsavsklinge

**⚠️FORSIGTIG:** Sørg for at montere rundsavsklingen med dens tænder vendende opad på den forreste del af maskinen.

**⚠️FORSIGTIG:** Anvend kun Makita-nøglen til montering og afmontering af rundsavsklingen.

For at afmontere rundsavsklingen skal du trykke skaftlåsen helt ind, så rundsavsklingen ikke kan rotere, og bruge unbrakonøglen til at løsne sekskantbolten. Fjern derefter sekskantbolten, den ydre flange, rundsavsklingen og ringen (landespecifik).

► **Fig.21:** 1. Skaftlås 2. Unbrakonøgle 3. Løsn 4. Stram

### Til maskiner uden ring

► **Fig.22:** 1. Sekskantbolt 2. Ydre flange  
3. Rundsavsklinge 4. Indre flange

### Til maskiner med ring

► **Fig.23:** 1. Sekskantbolt 2. Ydre flange  
3. Rundsavsklinge 4. Ring 5. Indre flange

For at montere rundsavsklingen, skal du følge proceduren for afmontering i modsat rækkefølge.

## Til maskiner med den indre flange til savklinger med en anden hulddiameter end 15,88 mm

Den indre flange har et fremspring med en bestemt diameter på den ene side og et fremspring med en anden diameter på den anden side. Vælg den rigtige side, hvor fremspringet passer perfekt ind i hullet på savklingen. Monter den indre flange på monteringskaffet, så den rigtige side af fremspringet på den indre flange vender udad, og placer derefter savklingen og den ydre flange.

► **Fig.24:** 1. Monteringskaffet 2. Indre flange  
3. Rundsavsklinge 4. Ydre flange 5. Sekskantbolt

**⚠️ADVARSEL:** SØRG FOR AT STRAMME SEKSKANTBOLTEN FAST I RETNINGEN MED URET. Pas også på ikke at tilspænde boltene for kraftigt. Hvis din hånd glider af unbrakonøglen, kan det medføre personskade.

**⚠️ADVARSEL:** Sørg for, at fremspringet "a" på den indre flange, der er placeret på ydersiden, passer perfekt ind i hullet "a" på savklingen. Hvis klingens monteres på den forkerte side, kan det medføre farlig vibration.

## Til maskiner med den indre flange til savklinger med en hulddiameter på 15,88 mm (landespecifik)

Monter den indre flange med siden med fordybningen udad på monteringskaffet, og placer derefter savklingen (med ringen monteret, hvis det er nødvendigt), den ydre flange og sekskantbolten.

### Til maskiner uden ring

► **Fig.25:** 1. Monteringskaffet 2. Indre flange  
3. Rundsavsklinge 4. Ydre flange 5. Sekskantbolt

### Til maskiner med ring

► **Fig.26:** 1. Monteringskaffet 2. Indre flange 3. Rundsavsklinge  
4. Ydre flange 5. Sekskantbolt 6. Ring

**⚠️ADVARSEL:** SØRG FOR AT STRAMME SEKSKANTBOLTEN FAST I RETNINGEN MED URET. Pas også på ikke at tilspænde boltene for kraftigt. Hvis din hånd glider af unbrakonøglen, kan det medføre personskade.

**⚠️ADVARSEL:** Hvis ringen er nødvendig for at montere klingens på spindelen, skal du altid sikre dig, at den korrekte ring til klingens dornhul, som du vil anvende, er installeret mellem de indre og ydre flanger. Brug af en ring med et forkert dornhul kan medføre forkert montering af klingens, så klingens bevæger sig og forårsager kraftig vibration, hvilket kan medføre, at du mister herredømmet under anvendelsen, og forårsage alvorlig personskade.

## Rengøring af beskyttelsesskærmen

Når rundsavsklingen udskiftes, skal du også sørge for at rengøre den øverste og nederste beskyttelsesskærm for ophobet savsmuld, som omtalt i afsnittet Vedligeholdelse. Sådanne tiltag erstatter ikke nødvendigheden af at den nederste beskyttelsesskærms funktionsgang kontrolleres inden hver brug.

## Tilslutning af en støvsuger

Når du ønsker at udføre savning, uden at det snavser så meget, kan du tilslutte en Makita-støvsuger til maskinen. Slut støvsugerens slange til støvmundstykket som vist på illustrationen.

► **Fig.27:** 1. Støvmundstykke 2. Skrue

► **Fig.28:** 1. Slange 2. Støvsuger

## ANVENDELSE

Denne maskine er beregnet til at skære i træprodukter. Der kan også saves i følgende materialer med de rette originale Makita-rundsavsklinger:

- Aluminiumprodukter

Se vores websted eller kontakt den lokale Makita-forhandler for at få oplyst de korrekte rundsavsklinger til brug for materialet, der skal skæres.

## Kontrol af beskyttelsesskærmens funktion

Indstil skråsnitsvinklen til 0°, og træk derefter den nederste beskyttelsesskærm manuelt til enden og slip den. Den nederste beskyttelsesskærm fungerer korrekt, hvis:

- den trækkes over grundpladen uden nogen hindring og,
- den automatisk vender tilbage og får kontakt med stopperen.

► **Fig.29:** 1. Øverste beskyttelsesskærm 2. Nederste beskyttelsesskærm 3. Grundplade  
4. Stopper 5. Åbn 6. Luk

Hvis den nederste beskyttelsesskærm ikke fungerer ordentligt, skal du kontrollere, om savstøv er akkumuleret inde i de øverste og nederste beskyttelsesskærme. Hvis den nederste beskyttelsesskærm ikke fungerer ordentligt, selv efter at have fjernet støvet, skal der udføres service på maskinen på et Makita servicecenter.

## Skærearbejde

**⚠FORSIGTIG: Bær støvmaske under udførelse af skærearbejdet.**

**⚠FORSIGTIG: Sørg for at føre maskinen forsigtigt frem i en lige linje.** Hvis maskinen tvinges eller drejes, vil resultatet blive overophedning af motoren og farligt tilbageslag med risiko for alvorlig personskade.

**BEMÆRK:** Når akkuens temperatur er lav, arbejder maskinen muligvis ikke med fuld kapacitet. På dette tidspunkt kan du for eksempel anvende maskinen til et lettere snit i et stykke tid, indtil akkuen bliver lige så varm som rumtemperaturen. Derefter kan maskinen arbejde med dens fulde kapacitet.

► Fig.30

Hold godt fast i maskinen. Maskinen er udstyret med både et fronthåndtag og et baghåndtag. Anvend begge, så det bedste greb om maskinen opnås. Hvis du holder i maskinen med begge hænder, kan du ikke skære hænderne på rundsavsklingen. Indstil grundpladen på arbejdsområdet til skæring uden at rundsavsklingen kommer i kontakt. Tænd derefter for maskinen og vent indtil rundsavsklingen er kommet op på fuld hastighed. Bevæg nu ganske enkelt maskinen fremad og hen over arbejdsområdets overflade, idet du holder den fladt og fremfører den jævnt, indtil savningen er fuldført. For at opnå rene snit, skal du holde savelinjen lige og fremføringshastigheden jævn. Hvis snittet ikke følger din planlagte skærelinje på korrekt vis, må du ikke forsøge at dreje eller tvinge maskinen tilbage til skærelinjen. Dette kan låse rundsavsklingen og føre til farligt tilbageslag og eventuel alvorlig personskade. Slip afbryderen og vent til rundsavsklingen er stoppet, og træk derefter maskinen tilbage. Sæt maskinen ud for en ny skærelinje og begynd at save igen. Prøv at undgå en placering, som udsætter operatøren for spåner og savsmuld, som frembringes af saven. Anvend øjenbeskyttelse, så tilskadekomst undgås.

## Parallelanslag (styrepind)

**⚠FORSIGTIG: Kontroller før brugen, at parallelanslaget er forsvarligt monteret i den korrekte position.** Forkert montering kan medføre farligt tilbageslag.

► Fig.31: 1. Parallelanslag (styrepind) 2. Spændeskruer

Det praktiske parallelanslag gør det muligt for dig at udføre særligt nøjagtige lige snit. Du behøver blot at trykke parallelanslaget helt op mod siden af arbejdsområdet og fastgøre det i stilling med skruen foran på grundpladen. Det muliggør også gentagen savning med ens bredde.

## Styreskinne

### Ekstraudstyr

Placer maskinen på styreskinnens bagende. Drej to justeringsskruer på maskinens grundplade, så maskinen glider jævnt uden at klapre. Hold godt fast i både fronthåndtaget og baghåndtaget på maskinen. Tænd for maskinen, og skær overfladebeskytteren i hele længden i én arbejdsgang. Nu svarer kanten af overfladebeskytteren til skærekanten.

► Fig.32: 1. Justeringsskruer

Når du foretager skråsnit med styreskinnen, skal du bruge glidehåndtaget til at forhindre, at maskinen vælter. Flyt glidehåndtaget på maskinens grundplade i pilens retning, så det griber fat i den underskårne rille på styreskinnen.

► Fig.33: 1. Glidehåndtag

## Montering af tøjresnor (sikkerhedslinje)

**⚠Specifikke sikkerhedsadvarsler for brug på høje steder**

Læs alle sikkerhedsadvarsler og instruktioner. Hvis alle advarsler og instruktioner ikke følges, kan det medføre alvorlig personskade.

1. **Hold altid maskinen tørt, når du arbejder "i højden".** Tøjresnorens maksimale længde er 2 m.
2. **Brug kun sammen med tøjresnore, der passer til denne maskintype og er normeret til mindst 6,0 kg (13,3 lbs).**
3. **Undlad at forankre maskinens tøjresnor til nogen del af din krop eller til bevægelige komponenter. Fastgør maskinens tøjresnor til en fast struktur, som kan modstå kraften af en maskine, der tabes.**
4. **Sørg for, at tøjresnoren er korrekt fastgjort i begge ender før brugen.**
5. **Inspicer maskinen og tøjresnoren før hver gang, den bruges, for beskadigelser og korrekt funktion (inklusive stof og sammenhæftning). Undlad brug, hvis den er beskadiget eller ikke fungerer korrekt.**
6. **Undlad at vikke tøjresnore omkring skarpe eller ru kanter eller at lade dem komme i kontakt med disse.**
7. **Fastgør den anden ende af tøjresnoren uden for arbejdsområdet, så en nedfaldende maskine fastholdes sikkert.**
8. **Fastgør tøjresnoren på en sådan måde, at maskinen vil bevæge sig væk fra operatøren, hvis den falder ned.** Tabte maskiner vil svinge i tøjresnoren, hvilket kan medføre personskade eller tab af balancen.
9. **Undlad brug i nærheden af dele i bevægelse eller maskiner, der kører.** Hvis du ikke gør dette, kan det medføre risiko for knusning eller indvikling.
10. **Undlad at bære maskinen ved at holde i monteringsenheden eller tøjresnoren.**
11. **Overfør kun maskinen mellem dine hænder, når du har korrekt balance.**
12. **Undlad at fastgøre tøjresnore til maskinen på en måde, der forhindrer beskyttelseskærme, kontakter eller låseanordninger i at fungere korrekt.**
13. **Undgå at blive viklet ind i tøjresnoren.**
14. **Hold tøjresnoren væk fra maskinens skæreamråde.**
15. **Brug karabinhager af flerfunktions- og skruerporttyperne. Brug ikke karabinhager med enkeltfunktions fjederklemmer.**
16. **Hvis maskinen tabes, skal den mærkes og tages ud af tjeneste og inspiceres af en Makita-fabrik eller et autoriseret servicecenter.**

► Fig.34: 1. Hul til tøjresnor (sikkerhedslinje)

## TRÅDLØS AKTIVERINGSFUNKTION

Kun for DHS783

### Hvad kan du foretage dig med den trådløse aktiveringsfunktion

Den trådløse aktiveringsfunktion muliggør ren og behagelig anvendelse. Hvis der slutes en understøttet støvsuger til maskinen, kan du lade støvsugeren køre automatisk, når kontakten på maskinen betjenes.

► Fig.35

Hvis du vil bruge den trådløse aktiveringsfunktion, skal du forberede følgende genstande:

- En trådløs enhed (ekstraudstyr)
- En støvsuger, der understøtter den trådløse aktiveringsfunktion

Følgende er et overblik over indstilling af den trådløse aktiveringsfunktion. Se de enkelte afsnit for detaljerede procedurer.

1. Montering af en trådløs enhed
2. Maskinregistrering til støvsugeren
3. Start af den trådløse aktiveringsfunktion

### Montering af en trådløs enhed

#### Ekstraudstyr

**⚠FORSIGTIG:** Placer maskinen på en flad og stabil overflade, når den trådløse enhed monteres.

**BEMÆRKNING:** Fjern støv og snavs fra maskinen, før den trådløse enhed monteres. Støv eller snavs kan forårsage funktionsfejl, hvis det kommer ind i åbningen til den trådløse enhed.

**BEMÆRKNING:** For at forhindre fejlfunktion forårsaget af statisk elektricitet skal du berøre et statisk afledende materiale som f.eks. en metaldele på maskinen, før du tager den trådløse enhed op.

**BEMÆRKNING:** Ved montering af den trådløse enhed skal du altid sikre dig, at den trådløse enhed er indsat i den korrekte retning, og at låget er lukket helt.

1. Åbn låget på maskinen som vist på figuren.  
► Fig.36: 1. Låg

2. Indsæt den trådløse enhed i åbningen, og luk derefter låget.

Ved indsættelse af den trådløse enhed skal fremspringene justeres i forhold til de forsænkede dele på åbningen.

- Fig.37: 1. Trådløs enhed 2. Fremspring 3. Låg 4. Forsænket del

Ved fjernelse af den trådløse enhed åbnes låget langsomt. Krogene bag på låget løfter den trådløse enhed, når du trækker låget op.

- Fig.38: 1. Trådløs enhed 2. Krog 3. Låg

Når den trådløse enhed er fjernet, skal den opbevares i den medfølgende æske eller i en beholder, der er fri for statisk elektricitet.

**BEMÆRKNING:** Brug altid krogene bag på låget ved fjernelse af den trådløse enhed. Hvis krogene ikke griber fat i den trådløse enhed, skal du lukke låget helt og åbne det langsomt igen.

### Maskinregistrering til støvsugeren

**BEMÆRK:** Du skal bruge en Makita-støvsuger, der understøtter den trådløse aktiveringsfunktion, til maskinregistreringen.

**BEMÆRK:** Afslut monteringen af den trådløse enhed på maskinen, før maskinregistreringen startes.

**BEMÆRK:** Under maskinregistreringen må du ikke trykke på afbryderknappen eller tænde for hovedafbryderen på støvsugeren.

**BEMÆRK:** Se også i brugsanvisningen til støvsugeren.

Hvis du vil aktivere støvsugeren, når kontakten på maskinen betjenes, skal du først afslutte maskinregistreringen.

1. Sæt batterierne i støvsugeren og maskinen.
2. Sæt standby-kontakten på støvsugeren til "AUTO".

► Fig.39: 1. Standby-kontakt

3. Tryk på den trådløse aktiveringsknap på støvsugeren i 3 sekunder, indtil den trådløse aktiveringslampe blinker grønt. Tryk derefter på den trådløse aktiveringsknap på maskinen på samme måde.

► Fig.40: 1. Trådløs aktiveringsknap 2. Trådløs aktiveringslampe

Hvis støvsugeren og maskinen sammenkædes korrekt, lyser de trådløse aktiveringslamper grønt i 2 sekunder og begynder at blinke blåt.

**BEMÆRK:** De trådløse aktiveringslamper holder op med at blinke grønt efter 20 sekunder. Tryk på den trådløse aktiveringsknap på maskinen, når den trådløse aktiveringslampe på støvsugeren blinker. Hvis den trådløse aktiveringslampe ikke blinker grønt, skal du trykke kortvarigt på den trådløse aktiveringsknap og holde den nede igen.

**BEMÆRK:** Når der udføres to eller flere maskinregistreringer for én støvsuger, skal maskinregistreringerne udføres en for en.

### Start af den trådløse aktiveringsfunktion

**BEMÆRK:** Afslut maskinregistreringen for støvsugeren før den trådløse aktivering.

**BEMÆRK:** Se også i brugsanvisningen til støvsugeren.

Når en maskine er registreret til støvsugeren, kører støvsugeren automatisk, når kontakten på maskinen betjenes.

1. Monter den trådløse enhed på maskinen.
2. Slut støvsugerens slange til maskinen.

► Fig.41

3. Sæt standby-kontakten på støvsugeren til "AUTO".

► **Fig.42:** 1. Standby-kontakt

4. Tryk kortvarigt på den trådløse aktiveringsknap på maskinen. Den trådløse aktiveringslampe blinker blåt.

► **Fig.43:** 1. Trådløs aktiveringsknap 2. Trådløs aktiveringslampe

5. Tryk på maskinens afbryderknap. Kontroller, om støvsugeren kører, når der trykkes på afbryderknappen.

Tryk på den trådløse aktiveringsknap på maskinen for at stoppe den trådløse aktivering af støvsugeren.

**BEMÆRK:** Den trådløse aktiveringslampe på maskinen holder op med at blinke blåt, hvis der ikke sker nogen betjening i 2 timer. Indstil i så fald standby-kontakten på støvsugeren til "AUTO", og tryk på den trådløse aktiveringsknap på maskinen igen.

**BEMÆRK:** Støvsugeren starter/stopper med en forsinkelse. Der er en forsinkelse, når støvsugeren registrerer en betjening af kontakten på maskinen.

**BEMÆRK:** Den trådløse enheds transmissionsafstand kan variere afhængigt af placeringen og de omgivende forhold.

**BEMÆRK:** Når to eller flere maskiner er registreret til én støvsuger, begynder støvsugeren muligvis at køre, selvom du ikke trykker på afbryderknappen, fordi en anden bruger anvender den trådløse aktiveringsfunktion.

## Beskrivelse af den trådløse aktiveringslampes status

► **Fig.44:** 1. Trådløs aktiveringslampe

Den trådløse aktiveringslampe viser status for den trådløse aktiveringsfunktion. Se i tabellen nedenfor vedrørende betydningen af lampens status.

Status	Trådløs aktiveringslampe			Varighed	Beskrivelse
	Farve	Tændt	Blinker		
Standby	Blå	<input checked="" type="checkbox"/>	<input type="checkbox"/>	2 timer	Den trådløse aktivering af støvsugeren er tilgængelig. Lampen slukkes automatisk, hvis der ikke sker nogen betjening i 2 timer.
		<input type="checkbox"/>	<input checked="" type="checkbox"/>	Når maskinen kører.	Den trådløse aktivering af støvsugeren er tilgængelig, og maskinen kører.
Maskinregistrering	Grøn	<input checked="" type="checkbox"/>	<input type="checkbox"/>	20 sekunder	Klar til maskinregistrering. Venter på registrering fra støvsugeren.
		<input type="checkbox"/>	<input checked="" type="checkbox"/>	2 sekunder	Maskinregistreringen er fuldført. Den trådløse aktiveringslampe begynder at blinke blåt.
Annullerer maskinregistrering	Rød	<input checked="" type="checkbox"/>	<input type="checkbox"/>	20 sekunder	Klar til annullering af maskinregistrering. Venter på annullering fra støvsugeren.
		<input type="checkbox"/>	<input checked="" type="checkbox"/>	2 sekunder	Annulleringen af maskinregistreringen er fuldført. Den trådløse aktiveringslampe begynder at blinke blåt.
Andre	Rød	<input type="checkbox"/>	<input checked="" type="checkbox"/>	3 sekunder	Der er strøm til den trådløse enhed, og den trådløse aktiveringsfunktion starter.
	Slukket	-	-	-	Den trådløse aktivering af støvsugeren er stoppet.

## Annullerer maskinregistrering for støvsugeren

Benyt følgende fremgangsmåde ved annullering af maskinregistreringen for støvsugeren.

1. Sæt batterierne i støvsugeren og maskinen.

2. Sæt standby-kontakten på støvsugeren til "AUTO".

► **Fig.45:** 1. Standby-kontakt

3. Tryk på den trådløse aktiveringsknap på støvsugeren i 6 sekunder. Den trådløse aktiveringslampe blinker grønt og bliver derefter rød. Tryk derefter på den trådløse aktiveringsknap på maskinen på samme måde.

► **Fig.46:** 1. Trådløs aktiveringsknap 2. Trådløs aktiveringslampe

Hvis annulleringen gennemføres korrekt, lyser de trådløse aktiveringslamper rødt i 2 sekunder og begynder at blinke blåt.

**BEMÆRK:** De trådløse aktiveringslamper holder op med at blinke rødt efter 20 sekunder. Tryk på den trådløse aktiveringsknap på maskinen, når den trådløse aktiveringslampe på støvsugeren blinker. Hvis den trådløse aktiveringslampe ikke blinker rødt, skal du trykke kortvarigt på den trådløse aktiveringsknap og holde den nede igen.

## Fejlfinding i forbindelse med den trådløse aktiveringsfunktion

Udfør selv en inspektion, inden De anmoder om reparation. Hvis De opdager et problem, som ikke er forklaret i brugsanvisningen, må De ikke forsøge at adskille maskinen. Rådfør Dem i stedet med et autoriseret Makita Servicecenter, og brug altid originale Makita udskiftningsdele til reparationer.

Unormal tilstand	Sandsynlig årsag (fej)l	Afhjælpning
Den trådløse aktiveringslampe tændes/blinker ikke.	Den trådløse enhed er ikke monteret på maskinen. Den trådløse enhed er ikke monteret korrekt på maskinen.	Monter den trådløse enhed korrekt.
	Terminalen på den trådløse enhed og/eller åbningen er snavset.	Aftør forsigtigt støv og snavs på terminalen på den trådløse enhed, og rengør åbningen.
	Der er ikke trykket på den trådløse aktiveringsknap på maskinen.	Tryk kortvarigt på den trådløse aktiveringsknap på maskinen.
	Standby-kontakten på støvsugeren er ikke indstillet til "AUTO".	Sæt standby-kontakten på støvsugeren til "AUTO".
	Ingen strømforsyning	Tilfør strøm til maskinen og støvsugeren.
Kan ikke afslutte maskinregistrering/annullering af maskinregistrering korrekt.	Den trådløse enhed er ikke monteret på maskinen. Den trådløse enhed er ikke monteret korrekt på maskinen.	Monter den trådløse enhed korrekt.
	Terminalen på den trådløse enhed og/eller åbningen er snavset.	Aftør forsigtigt støv og snavs på terminalen på den trådløse enhed, og rengør åbningen.
	Standby-kontakten på støvsugeren er ikke indstillet til "AUTO".	Sæt standby-kontakten på støvsugeren til "AUTO".
	Ingen strømforsyning	Tilfør strøm til maskinen og støvsugeren.
	Forkert betjening	Tryk kortvarigt på den trådløse aktiveringsknap, og udfør procedurene for maskinregistrering/annullering igen.
	Maskinen og støvsugeren er ikke i nærheden af hinanden (uden for transmissionsafstand).	Flyt maskinen og støvsugeren tættere på hinanden. Den maksimale transmissionsafstand er cirka 10 m, men kan variere afhængigt af forholdene.
	Før du udfører maskinregistrering/annullering, - der trykkes på afbryderknappen på maskinen, eller - der tændes på hovedafbryderen på støvsugeren.	Tryk kortvarigt på den trådløse aktiveringsknap, og udfør procedurene for maskinregistrering/annullering igen.
	Maskinregistreringsprocedurene på maskinen eller støvsugeren er ikke fuldført.	Gennemfør maskinregistreringsprocedurene både på maskinen og støvsugeren på samme tid.
Radiointerferens fra andre apparater, der udsender højintens radiobølger.	Hold maskinen og støvsugeren væk fra apparater som f.eks. Wi-Fi-enheder og mikrobølgeovne.	
Støvsugeren kører ikke, når kontakten på maskinen betjenes.	Den trådløse enhed er ikke monteret på maskinen. Den trådløse enhed er ikke monteret korrekt på maskinen.	Monter den trådløse enhed korrekt.
	Terminalen på den trådløse enhed og/eller åbningen er snavset.	Aftør forsigtigt støv og snavs på terminalen på den trådløse enhed, og rengør åbningen.
	Der er ikke trykket på den trådløse aktiveringsknap på maskinen.	Tryk kortvarigt på den trådløse aktiveringsknap, og kontroller, at den trådløse aktiveringslampe blinker blåt.
	Standby-kontakten på støvsugeren er ikke indstillet til "AUTO".	Sæt standby-kontakten på støvsugeren til "AUTO".
	Der er registreret mere end 10 maskiner til støvsugeren.	Udfør maskinregistreringen igen. Hvis der er registreret mere end 10 maskiner til støvsugeren, bliver den maskine, der blev registreret tidligst, automatisk annulleret.
	Støvsugeren har slettet alle maskinregistreringer.	Udfør maskinregistreringen igen.
	Ingen strømforsyning	Tilfør strøm til maskinen og støvsugeren.
	Maskinen og støvsugeren er ikke i nærheden af hinanden (uden for transmissionsafstand).	Flyt maskinen og støvsugeren tættere på hinanden. Den maksimale transmissionsafstand er cirka 10 m, men kan variere afhængigt af forholdene.
Radiointerferens fra andre apparater, der udsender højintens radiobølger.	Hold maskinen og støvsugeren væk fra apparater som f.eks. Wi-Fi-enheder og mikrobølgeovne.	
Støvsugeren kører, mens der ikke trykkes på maskinens afbryderknap.	Andre brugere anvender den trådløse aktivering af støvsugeren med deres maskiner.	Deaktiver den trådløse aktiveringsknap på de andre maskiner, eller annuller maskinregistreringen af de andre maskiner.

## VEDLIGEHOELDELSE

**⚠FORSIGTIG:** Vær altid sikker på, at værktøjet er slukket, og at akkuen er taget ud, inden De begynder at udføre inspektion eller vedligeholdelse.

**⚠FORSIGTIG:** Rengør den øverste og nederste beskyttelsesskærm for at sikre, at der ikke er ophobet noget savsmuld, som muligvis kan hindre funktionen af det nederste afskærmningssystem. Et beskidt afskærmningssystem kan begrænse den korrekte funktion, hvilket kan resultere i alvorlig personskade. Den mest effektive måde at gøre dette på er at rengøre med trykluft. Hvis støvet blæses ud af beskyttelsesskærmene, skal du sørge for at anvende korrekt øjen- og åndedrætsbeskyttelse.

**⚠FORSIGTIG:** Aftør savsmuldet fra maskinen efter hver brug. Fint savsmuld kan komme ind i maskinen og medføre fejlfunktion eller brand.

**BEMÆRKNING:** Anvend aldrig benzin, rensebenzin, fortynder, alkohol og lignende. Det kan medføre misfarvning, deformation eller revner.

For at opretholde produktets SIKKERHED og PÅLIDELIGHED må reparation, vedligeholdelse eller justering kun udføres af et autoriseret Makita servicecenter eller fabrikksservicecenter med anvendelse af Makita reservedele.

### Justering af nøjagtigheden af 0°-snit eller 45°-snit

Denne justering er foretaget fra fabrikken. Men hvis justeringen er forkert, kan du justere den ved at benytte følgende fremgangsmåde.

1. Løsn spændeskruerne foran og bag på maskinen, så skråsnitsvinklen kan ændres. Indstil stopperen til positionen for 0° - 45° skråsnitsvinkel, hvis du vil justere nøjagtigheden af 45°-snit.

► Fig.47: 1. Stopper

2. Placer grundpladen i en ret vinkel eller 45° med rundsavsklingen ved hjælp af en trekantlineal ved at dreje justeringsskruen med en unbrakonøgle. Du kan også bruge en firkantlineal til at justere 0°-vinklen.

► Fig.48: 1. Trekantlineal

► Fig.49: 1. Justeringsskrue til 0°-vinkel  
2. Justeringsskrue til 45°-vinkel

3. Stram spændeskruerne, og foretag derefter et testsnit for at kontrollere, om den ønskede vinkel er indstillet.

## Justering af parallelitet

**⚠FORSIGTIG:** Hold parallelføringen nøjagtig. Ellers kan rundsavsklingen skære sig ned i styreskinne, og den beskadigede styreskinne kan forårsage personskade.

Denne justering er foretaget fra fabrikken. Men hvis justeringen er forkert, kan du justere den ved at benytte følgende fremgangsmåde.

1. Indstil maskinen til den maksimale skæredybde.
2. Kontroller, at alle håndtag og skruer er strammet.
3. Løsn skruerne vist på figuren.
4. Åbn den nederste beskyttelsesskærm, og flyt samtidig bagsiden af grundpladen, så afstandene A og B bliver de samme.

► Fig.50: 1. Skrue 2. Grundplade

5. Stram skruerne, og foretag et testsnit for at kontrollere paralleliteten.

## EKSTRAUDSTYR

**⚠FORSIGTIG:** Det følgende tilbehør og ekstraudstyr er anbefalet til brug med Deres Makita maskine, der er beskrevet i denne brugsanvisning. Anvendelse af andet tilbehør eller ekstraudstyr kan udgøre en risiko for personskade. Anvend kun tilbehør og ekstraudstyr til det beskrevne formål.

Hvis De behøver hjælp ved valg af tilbehør eller ønsker yderligere informationer, bedes De kontakte Deres lokale Makita servicecenter.

- Rundsavsklinge
- Parallelanslag (styreskinne)
- Krog
- Styreskinne
- Skråstyr
- Spænde
- Ark
- Gummiark
- Positionsark
- Støvmundstykke
- Unbrakonøgle
- Trådløs enhed (for DHS783)
- Original Makita-akku og oplader

**BEMÆRK:** Nogle ting på denne liste kan være inkluderet i værktøjspakken som standardtilbehør. Det kan være forskellige fra land til land.

## ΕΛΛΗΝΙΚΑ (Αρχικές οδηγίες)

### ΠΡΟΔΙΑΓΡΑΦΕΣ

Μοντέλο:	DHS782	DHS783
Διάμετρος λάμας	185 - 190 mm	
Μέγιστο βάθος κοπής	σε 0°	60,0 - 62,5 mm
	σε λοξοτομή 45°	43,0 - 44,5 mm
	σε λοξοτομή 48°	41,0 - 42,0 mm
Ταχύτητα χωρίς φορτίο	6.000 min <sup>-1</sup>	
Ολικό μήκος	348 mm	
Ονομαστική τάση	D.C. 36 V	
Καθαρό βάρος	4,5 - 5,1 kg	

- Λόγω του συνεχιζόμενου προγράμματος έρευνας και ανάπτυξης, οι προδιαγραφές αυτές υπόκεινται σε αλλαγές χωρίς προειδοποίηση.
- Οι προδιαγραφές και η κασέτα μπαταριών μπορεί να διαφέρουν ανάλογα με τη χώρα.
- Το βάρος μπορεί να διαφέρει ανάλογα με τα προσαρτήματα, συμπεριλαμβάνοντας την κασέτα μπαταριών. Ο επαφύστερος και ο βαρύτερος συνδυασμός, σύμφωνα με τη διαδικασία EPTA 01/2014, παρουσιάζονται στον πίνακα.

### Ισχύουσα κασέτα μπαταριών και φορτιστής

Κασέτα μπαταρίας	BL1815N / BL1820 / BL1820B / BL1830 / BL1830B / BL1840 / BL1840B / BL1850 / BL1850B / BL1860B
Φορτιστής	DC18RC / DC18RD / DC18RE / DC18SD / DC18SE / DC18SF

- Ορισμένες από τις κασέτες και τους φορτιστές μπαταριών που αναγράφονται παραπάνω ίσως να μην είναι διαθέσιμοι, ανάλογα με την τοποθεσία κατοικίας σας.

**▲ΠΡΟΕΙΔΟΠΟΙΗΣΗ:** Να χρησιμοποιείτε μόνο τις κασέτες μπαταριών και τους φορτιστές που παρατίθενται ανωτέρω. Η χρήση οποιασδήποτε άλλης κασέτας μπαταριών ή φορτιστή μπορεί να προκαλέσει τραυματισμό ή/και πυρκαγιά.

### Προοριζόμενη χρήση

Το εργαλείο προορίζεται για εκτέλεση, κατά μήκος και εγκάρσιως, ίσιας και λοξής κοπής με γωνίες σε ξύλο ενώ βρίσκεται σε σταθερή επαφή με το τεμάχιο εργασίας. Με κατάλληλες γνήσιες λάμες πριονιού της Makita, μπορείτε να πριονίσετε και άλλα υλικά.

### Θόρυβος

Το τυπικό A επίπεδο καταμετρημένου θορύβου καθορίζεται σύμφωνα με το EN62841-2-5:

#### Μοντέλο DHS782

Στάθμη ηχητικής πίεσης ( $L_{pA}$ ): 93 dB (A)  
Στάθμη ηχητικής ισχύος ( $L_{WA}$ ): 104 dB (A)  
Αβεβαιότητα (K): 3 dB (A)

#### Μοντέλο DHS783

Στάθμη ηχητικής πίεσης ( $L_{pA}$ ): 93 dB (A)  
Στάθμη ηχητικής ισχύος ( $L_{WA}$ ): 104 dB (A)  
Αβεβαιότητα (K): 3 dB (A)

**ΠΑΡΑΤΗΡΗΣΗ:** Η δηλωμένη τιμή(ές) εκπομπής θορύβου έχει μετρηθεί σύμφωνα με την πρότυπη μέθοδο δοκιμής και μπορεί να χρησιμοποιηθεί για τη σύγκριση ενός εργαλείου με κάποιο άλλο.

**ΠΑΡΑΤΗΡΗΣΗ:** Η δηλωμένη τιμή(ές) εκπομπής θορύβου μπορεί να χρησιμοποιηθεί και στην προκαταρκτική αξιολόγηση της έκθεσης.

**▲ΠΡΟΕΙΔΟΠΟΙΗΣΗ:** Να φοράτε ωτοασπίδες.

**▲ΠΡΟΕΙΔΟΠΟΙΗΣΗ:** Η εκπομπή θορύβου κατά τη χρήση του ηλεκτρικού εργαλείου σε πραγματικές συνθήκες μπορεί να διαφέρει από τη δηλωμένη τιμή(ές) ανάλογα με τους τρόπους χρήσης του εργαλείου, ιδιαίτερα το είδος του τεμαχίου εργασίας που υπόκειται επεξεργασία.

**▲ΠΡΟΕΙΔΟΠΟΙΗΣΗ:** Φροντίστε να λάβετε τα κατάλληλα μέτρα προστασίας του χειριστή βάσει ενός υπολογισμού της έκθεσης σε πραγματικές συνθήκες χρήσης (λαμβάνοντας υπόψη όλες τις συνιστώσες του κύκλου λειτουργίας όπως τους χρόνους που το εργαλείο είναι εκτός λειτουργίας και όταν βρίσκεται σε αδρανή λειτουργία πέραν του χρόνου ενεργοποίησης).

### Κραδασμός

Η ολική τιμή δόνησης (άθροισμα τρι-αξονικού διανύσματος) καθορίζεται σύμφωνα με το EN62841-2-5:

#### Μοντέλο DHS782

Είδος εργασίας: κοπή ξύλου  
Εκπομπή δόνησης ( $a_{h,W}$ ): 2,5 m/s<sup>2</sup> ή λιγότερο  
Αβεβαιότητα (K): 1,5 m/s<sup>2</sup>  
Είδος εργασίας: κοπή μετάλλου  
Εκπομπή δόνησης ( $a_{h,M}$ ): 2,5 m/s<sup>2</sup> ή λιγότερο  
Αβεβαιότητα (K): 1,5 m/s<sup>2</sup>

### Μοντέλο DHS783

Είδος εργασίας: κοπή ξύλου  
Εκπομπή δόνησης ( $a_{h,w}$ ): 2,5 m/s<sup>2</sup> ή λιγότερο  
Αβεβαιότητα (K): 1,5 m/s<sup>2</sup>  
Είδος εργασίας: κοπή μετάλλου  
Εκπομπή δόνησης ( $a_{h,m}$ ): 2,5 m/s<sup>2</sup> ή λιγότερο  
Αβεβαιότητα (K): 1,5 m/s<sup>2</sup>

**ΠΑΡΑΤΗΡΗΣΗ:** Η δηλωμένη τιμή(ές) συνολικών κραδασμών έχει μετρηθεί σύμφωνα με την πρότυπη μέθοδο δοκιμής και μπορεί να χρησιμοποιηθεί για τη σύγκριση ενός εργαλείου με κάποιο άλλο.

**ΠΑΡΑΤΗΡΗΣΗ:** Η δηλωμένη τιμή(ές) συνολικών κραδασμών μπορεί να χρησιμοποιηθεί και στην προκαταρκτική αξιολόγηση της έκθεσης.

**▲ΠΡΟΕΙΔΟΠΟΙΗΣΗ:** Η εκπομπή κραδασμών κατά τη χρήση του ηλεκτρικού εργαλείου σε πραγματικές συνθήκες μπορεί να διαφέρει από τη δηλωμένη τιμή(ές) εκπομπής ανάλογα με τους τρόπους χρήσης του εργαλείου, ιδιαίτερα το είδος του τεμαχίου εργασίας που υπόκειται επεξεργασία.

**▲ΠΡΟΕΙΔΟΠΟΙΗΣΗ:** Φροντίστε να λάβετε τα κατάλληλα μέτρα προστασίας του χειριστή βάσει ενός υπολογισμού της έκθεσης σε πραγματικές συνθήκες χρήσης (λαμβάνοντας υπόψη όλες τις συνιστώσες του κύκλου λειτουργίας όπως τους χρόνους που το εργαλείο είναι εκτός λειτουργίας και όταν βρίσκεται σε αδρανή λειτουργία πέραν του χρόνου ενεργοποίησης).

### Δήλωση συμμόρφωσης ΕΚ

Μόνο για χώρες της Ευρώπης

Η δήλωση συμμόρφωσης ΕΚ περιλαμβάνεται ως Παράρτημα Α στο παρόν εγχειρίδιο οδηγιών.

## ΠΡΟΕΙΔΟΠΟΙΗΣΕΙΣ ΑΣΦΑΛΕΙΑΣ

### Γενικές προειδοποιήσεις ασφαλείας για το ηλεκτρικό εργαλείο

**▲ΠΡΟΕΙΔΟΠΟΙΗΣΗ:** Διαβάστε όλες τις προειδοποιήσεις ασφαλείας, οδηγίες, εικονογραφήσεις και προδιαγραφές που παρέχονται με αυτό το ηλεκτρικό εργαλείο. Η μη τήρηση όλων των οδηγιών που αναγράφονται κατωτέρω μπορεί να καταλήξει σε ηλεκτροπληξία, πυρκαγιά ή/και σοβαρό τραυματισμό.

### Φυλάξτε όλες τις προειδοποιήσεις και τις οδηγίες για μελλοντική παραπομπή.

Στις προειδοποιήσεις, ο όρος «ηλεκτρικό εργαλείο» αναφέρεται σε ηλεκτρικό εργαλείο που τροφοδοτείται από την κύρια παροχή ηλεκτρικού ρεύματος (με ηλεκτρικό καλώδιο) ή σε ηλεκτρικό εργαλείο που τροφοδοτείται από μπαταρία (χωρίς ηλεκτρικό καλώδιο).

## Προειδοποιήσεις για την ασφάλεια του φορητού δισκοπριονίου

### Διαδικασίες κοπής

1. **▲ΚΙΝΔΥΝΟΣ:** Κρατάτε τα χέρια σας μακριά από την περιοχή κοπής και τη λάμα. Κρατάτε το άλλο σας χέρι πάνω στη βοηθητική λαβή, ή στο περίβλημα μοτέρ. Αν κρατάτε το πριόνι και με τα δύο χέρια, δεν είναι δυνατό να κοπούν από τη λάμα.
2. **Μην απλώνετε τα χέρια σας κάτω από το τεμάχιο εργασίας.** Το προστατευτικό δεν σας παρέχει προστασία από τη λάμα κάτω από το τεμάχιο εργασίας.
3. **Ρυθμίστε το βάθος κοπής σύμφωνα με το πάχος του τεμαχίου εργασίας.** Λιγότερο από ένα ολόκληρο δόντι από τα δόντια της λάμας πρέπει να φαίνεται κάτω από το τεμάχιο εργασίας.
4. **Μην κρατάτε ποτέ το τεμάχιο εργασίας στα χέρια σας ή πάνω στο πόδι σας ενώ το κόβετε. Ασφαλίστε το τεμάχιο εργασίας σε μια σταθερή πλατφόρμα.** Είναι σημαντικό να στηρίζετε το τεμάχιο εργασίας κατάλληλα για να ελαχιστοποιήσετε την έκθεση του σώματός σας, την εμπλοκή της λάμας ή την απώλεια ελέγχου.

### ► Εικ.1

5. **Κρατάτε το ηλεκτρικό εργαλείο από τις μονωμένες επιφάνειες χειρολαβής όταν εκτελείτε μια εργασία κατά την οποία το κοπτικό εργαλείο μπορεί να έρθει σε επαφή με κρυμμένα καλώδια.** Αν γίνει επαφή με κάποιο ηλεκτροφόρο καλώδιο, τα εκτεθειμένα μεταλλικά μέρη του ηλεκτρικού εργαλείου θα γίνουν και αυτά ηλεκτροφόρα και μπορεί να προκληθεί ηλεκτροπληξία στο χειριστή.
6. **Όταν τεμαχίζετε, να χρησιμοποιείτε πάντα οδηγό κομματιού ή άλλο οδηγό με ευθύγραμμη ακμή.** Αυτό βελτιώνει την ακρίβεια της κοπής και μειώνει την πιθανότητα εμπλοκής της λάμας.
7. **Να χρησιμοποιείτε πάντα λάμες με το σωστό μέγεθος και το σωστό σχήμα (σχήμα διαμαντιού έναντι στρογγυλού σχήματος) οπών στερέωσης.** Οι λάμες που δεν ταιριάζουν με τον εξοπλισμό στερέωσης του πριονιού θα λειτουργούν έκκεντρα, προκαλώντας απώλεια ελέγχου.
8. **Μη χρησιμοποιείτε ποτέ στη λάμα ροδέλες ή μπουλόνια που είναι κατεστραμμένα ή λανθασμένου μεγέθους.** Οι ροδέλες και μπουλόνια λάμας έχουν σχεδιαστεί ειδικά για το πριόνι σας, για βέλτιστη απόδοση και ασφάλεια λειτουργίας.

### Αιτίες κλοσήματος και σχετικές προειδοποιήσεις

- Το κλότσημα είναι μια ξαφνική αντίδραση όταν η λάμα πριονιού είναι αποκομμένη, μπλοκαρισμένη ή ευθυγραμμισμένη λανθασμένα, και προκαλεί την ανεξέλεγκτη ανύψωση του πριονιού έξω από το τεμάχιο εργασίας και προς τη μεριά του χειριστή.
- Όταν η λάμα είναι αποκομμένη ή μπλοκαρισμένη σφικτά από την εγκοπή, αυτή ακινητοποιείται και η αντίδραση του μοτέρ οδηγεί το εργαλείο με ταχύτητα προς τη μεριά του χειριστή.
- Αν η λάμα παραμορφωθεί ή ευθυγραμμιστεί λανθασμένα κατά την κοπή, τα δόντια στο πίσω μέρος της λάμας μπορεί να σκάψουν μέσα στην άνω επιφάνεια του ξύλου και έτσι η λάμα να βγει από την εγκοπή και να αναπηδήσει προς τη μεριά του χειριστή.



Το κλότσημα προκαλείται όταν το πριόνι χρησιμοποιείται λανθασμένα ή/και όταν οι διαδικασίες ή οι συνθήκες λειτουργίας είναι λανθασμένες. Μπορεί να αποφευχθεί αν ληφθούν οι κατάλληλες προφυλάξεις που αναφέρονται παρακάτω.

1. **Να κρατάτε το πριόνι γερά και με τα δύο χέρια και να τοποθετείτε τους βραχιόνες σας με τρόπο ώστε να αντιστέκονται στη δύναμη του κλοτσήματος. Να τοποθετείτε το σώμα σας πλευρικά της λάμας, αλλά όχι στην ίδια ευθεία με τη λάμα.** Το κλότσημα μπορεί να προκαλέσει την αναπήδηση του πριονιού προς τα πίσω, αλλά ο χειριστής μπορεί να ελέγξει το κλότσημα αν λάβει τις κατάλληλες προφυλάξεις.
2. **Όταν εμποδίζεται η κίνηση της λάμας ή όταν διακόπτεται η κοπή για οποιοδήποτε λόγο, αφήστε τη σκανδάλη και κρατήστε ακίνητο το πριόνι μέσα στο υλικό έως ότου ακινητοποιηθεί η λάμα. Μη δοκιμάσετε ποτέ να βγάλετε το πριόνι από το τεμάχιο εργασίας ούτε να το τραβήξετε προς τα πίσω όταν η λάμα κινείται, επειδή μπορεί να κλοτσήσει.** Ελέγξτε και πάρτε διορθωτικά μέτρα για να εξαλείψετε την αιτία πιασίματος της λάμας.
3. **Όταν ξεκινάτε ξανά την κοπή ενός τεμαχίου εργασίας, κεντράρετε τη λάμα πριονιού στην εγκοπή με τρόπο ώστε τα δόντια της λάμας να μην έχουν πιαστεί μέσα στο υλικό.** Αν εμποδίζεται μια λάμα πριονιού, το εργαλείο μπορεί να αναπηδήσει από το τεμάχιο εργασίας ή να κλοτσήσει όταν το θέσετε ξανά σε λειτουργία.
4. **Πρέπει να στηρίζετε τις μεγάλες πλάκες για να ελαχιστοποιείτε τον κίνδυνο να πιαστεί η λάμα, αλλά και να κλοτσήσει.** Μεγάλα τεμάχια τείνουν να λυγίζουν κάτω από το βάρος τους. Πρέπει να τοποθετείτε στηρίγματα κάτω από τις πλάκες, και στις δύο πλευρές, κοντά στη γραμμή κοπής και κοντά στην άκρη της πλάκας.

► **Εικ.2**

► **Εικ.3**

5. **Μη χρησιμοποιείτε λάμες αμβλυμένες ή με ζημιές.** Ατρόχιστες λάμες ή ακατάλληλα τοποθετημένες λάμες δημιουργούν στενή τομή προκαλώντας υπερβολική τριβή, πιάσιμο της λάμας και κλότσημα.
6. **Οι μοχλοί ασφάλισης του βάθους λάμας και της ρύθμισης λοξοτομής πρέπει να είναι σφιχτοί και ασφαλισμένοι πριν από την κοπή.** Αν η ρύθμιση λάμας μετακινείται κατά την κοπή, μπορεί να προκληθεί πιάσιμο και κλότσημα.
7. **Δώστε μεγάλη προσοχή όταν πριονίζετε σε υπάρχοντες τοίχους ή άλλες τυφλές περιοχές.** Αν η λάμα προεξέχει, μπορεί να κόψει αντικείμενα που θα προκαλέσουν κλότσημα.
8. **Κρατήστε ΠΑΝΤΑ το εργαλείο σταθερά με τα δύο χέρια. Μην τοποθετείτε ΠΟΤΕ το χέρι, το πόδι ή οποιοδήποτε μέρος του σώματός σας κάτω από τη βάση του εργαλείου ή πίσω από το πριόνι, ειδικά όταν δημιουργείται εγκάρσιες κοπές.** Αν συμβεί κλότσημα, το πριόνι μπορεί εύκολα να πηδήξει προς τα πίσω πάνω από το χέρι σας, οδηγώντας σε σοβαρό προσωπικό τραυματισμό.

► **Εικ.4**

9. **Ποτέ μην εξαναγκάσετε το πριόνι. Να σπρώχνετε το πριόνι προς τα μπροστά με τέτοια ταχύτητα ώστε η λάμα να κόβει χωρίς να επιβραδύνει.** Αν ζορίζετε το πριόνι μπορεί να προκληθούν ανομοιόμορφες κοπές, απώλεια της ακρίβειας και πιθανώς κλότσημα.

#### Λειτουργία προστατευτικού

1. **Ελέγξτε τον κάτω προφυλακτήρα για κατάλληλο κλείσιμο πριν από κάθε χρήση. Μη θέτετε σε λειτουργία το πριόνι αν ο κάτω προφυλακτήρας δεν κινείται ελεύθερα και δεν κλείνει αμέσως. Μη συγκρατείτε και μη δένετε ποτέ τον κάτω προφυλακτήρα στην ανοιχτή θέση.** Αν το πριόνι πέσει τυχαίως, ο κάτω προφυλακτήρας μπορεί να λυγίσει. Σηκώστε τον κάτω προφυλακτήρα με τη βοήθεια της ανασυρόμενης λαβής και βεβαιωθείτε ότι κινείται ελεύθερα και δεν ακουμπά τη λάμα ή κάποιο άλλο μέρος, σε όλες τις γωνίες και βάθη κοπής.
2. **Ελέγξτε τη λειτουργία του ελατηρίου του κάτω προφυλακτήρα. Αν ο προφυλακτήρας και το ελατήριο δεν λειτουργούν κατάλληλα, πρέπει να συντηρηθούν πριν από τη χρήση.** Ο κάτω προφυλακτήρας μπορεί να λειτουργεί αργά λόγω τμημάτων με ζημιές, αποθέματα κόλλας ή συσσώρευσης απορριμμάτων.
3. **Ο κάτω προφυλακτήρας μπορεί να αποσυρθεί χειροκίνητα μόνο για ειδικές κοπές όπως “κοπές βύθισης” και “σύνθετες κοπές”.** Σηκώστε τον κάτω προφυλακτήρα αποσύροντας τη λαβή και μόλις η λάμα εισέλθει στο υλικό, ο κάτω προφυλακτήρας πρέπει να ελευθερωθεί. Για όλα τα άλλα πριονίσματα, ο κάτω προφυλακτήρας πρέπει να λειτουργεί αυτόματα.
4. **Να παρατηρείτε πάντα ότι ο κάτω προφυλακτήρας καλύπτει τη λάμα πριν τοποθετήσετε το πριόνι σε πάγκο ή στο πάτωμα.** Αν η λάμα δεν προστατεύεται και κινείται ελεύθερα, το πριόνι θα κινηθεί προς τα πίσω, κόντοντας ότι βρεθεί στο δρόμο του. Να είστε ενήμεροι για τον χρόνο που χρειάζεται για τη λάμα να σταματήσει αφού ο διακόπτης έχει απελευθερωθεί.
5. **Για να ελέγξετε τον κάτω προφυλακτήρα, ανοίξτε τον κάτω προφυλακτήρα με το χέρι και, στη συνέχεια, αφήστε και παρακολουθήστε το κλείσιμο του προφυλακτήρα. Επίσης, ελέγξτε να δείτε ότι η λαβή απόσυρσης δεν αγγίζει το περίβλημα του εργαλείου.** Είναι ΠΟΛΥ ΕΠΙΚΙΝΔΥΝΟ να αφήνετε τη λάμα εκτεθειμένη και μπορεί να οδηγήσει σε σοβαρό προσωπικό τραυματισμό.

#### Πρόσθετες προειδοποιήσεις ασφάλειας

1. **Δώστε μεγάλη προσοχή όταν κόβετε νωπό ξύλο, ξυλεία επεξεργασμένη με πίεση ή ξύλο που περιέχει κόμπους.** Διατηρήστε ομαλή προώθηση του εργαλείου χωρίς να μειώνετε την ταχύτητα της λάμας, προκειμένου να αποφύγετε την υπερθέρμανση των άκρων της λάμας.
2. **Μην επιχειρήσετε να αφαιρέσετε κομμένο υλικό όταν η λάμα κινείται. Περιμένετε μέχρι να σταματήσει η λάμα πριν πιάσετε κομμένο υλικό.** Οι λάμες περιστρέφονται και μετά το σβήσιμο.
3. **Αποφεύγετε την κοπή καρφιών. Ελέγξτε και αφαιρέστε όλα τα καρφιά από την ξυλεία πριν από την κοπή.**

4. Τοποθετήστε το πλατύτερο τμήμα της βάσης του πριονιού σε εκείνο το τμήμα του τεμαχίου εργασίας που στηρίζεται σταθερά, και όχι στο τμήμα εκείνο που θα πέσει όταν θα γίνει η κοπή. Αν το τεμάχιο εργασίας είναι κοντό ή μικρό, συγκρατήστε το. **ΜΗ ΠΡΟΣΠΑΘΕΙΤΕ ΝΑ ΚΡΑΤΑΤΕ ΜΙΚΡΑ ΤΕΜΑΧΙΑ ΜΕ ΤΟ ΧΕΡΙ!**

► **Εικ.5**

5. Πριν τοποθετήσετε το εργαλείο κάτω μετά το τέλος της κοπής, βεβαιωθείτε ότι έκλεισε το προστατευτικό και ακινητοποιήθηκε τελείως η λάμα.
6. **Μη δοκιμάσετε ποτέ να πριονίσετε όταν το δισκοπρίονο είναι στερεωμένο ανάποδα σε μια μέγκενη. Αυτό είναι εξαιρετικά επικίνδυνο και μπορεί να οδηγήσει σε σοβαρά ατυχήματα.**

► **Εικ.6**

7. Μερικά υλικά περιέχουν χημικά που μπορεί να είναι τοξικά. Προσέχετε ώστε να αποφεύγετε την εισπνοή σκόνης και την επαφή με το δέρμα. Ακολουθείτε τα δεδομένα ασφάλειας υλικού που παρέχονται από τον προμηθευτή.
8. **Μη σταματάτε τις λάμες με πλευρική πίεση στη λάμα πριονιού.**
9. **Μη χρησιμοποιείτε αποξεστικούς τροχούς.**
10. **Χρησιμοποιείτε μόνο τη λάμα πριονιού με τη διάμετρο που είναι επισημασμένη στο εργαλείο ή που καθορίζεται στο εγχειρίδιο.** Η χρήση μιας λάμας λανθασμένου μεγέθους μπορεί να επηρεάσει τη σωστή προστασία της λάμας ή τη λειτουργία του προστατευτικού, γεγονός που μπορεί να έχει ως αποτέλεσμα σοβαρό προσωπικό τραυματισμό.
11. **Κρατάτε τη λάμα κοφτερή και καθαρή.** Η κόλλα και τα πριονίσματα ξύλου που έχουν ξεραθεί επάνω στις λάμες επιβραδύνουν το πριόνι και αυξάνουν την πιθανότητα κλοστήματος. Διατηρείτε τη λάμα καθαρή αφού πρώτα τη βγάλετε από το εργαλείο και μετά την καθαρίσετε με καθαριστικό για κόλλα και πριονίσματα, ζεστό νερό ή κηροζίνη. Μη χρησιμοποιήσετε ποτέ βενζίνη.
12. **Να φοράτε προσωπίδα κατά της σκόνης και υποσπίδες όταν χρησιμοποιείτε το εργαλείο.**
13. **Να χρησιμοποιείτε πάντα τη λάμα πριονιού που προορίζεται για την κοπή του υλικού που θα κόψετε.**
14. **Να χρησιμοποιείτε μόνο λάμες πριονιού που είναι επισημασμένες με ταχύτητα ίση με ή υψηλότερη από την ταχύτητα που είναι επισημασμένη στο εργαλείο.**
15. (Για ευρωπαϊκές χώρες μόνο)  
**Να χρησιμοποιείτε πάντα λάμα που συμμορφώνεται με το πρότυπο EN847-1.**

## ΦΥΛΑΞΕΤΕ ΑΥΤΕΣ ΤΙΣ ΟΔΗΓΙΕΣ.

**▲ ΠΡΟΕΙΔΟΠΟΙΗΣΗ:** ΜΗΝ επιτρέψετε στην άνεση ή στην εξοικείωσή σας με το προϊόν (που αποκτήθηκε από επανειλημμένη χρήση) να αντικαταστήσει την αυστηρή τήρηση των κανόνων ασφαλείας του παρόντος εργαλείου. Η **ΛΑΝΘΑΣΜΕΝΗ ΧΡΗΣΗ** ή η αμέλεια να ακολουθήσετε τους κανόνες ασφαλείας που διατυπώνονται στο παρόν εγχειρίδιο οδηγιών μπορεί να προκαλέσει σοβαρό προσωπικό τραυματισμό.

## Σημαντικές οδηγίες ασφάλειας για κασέτα μπαταριών

1. Πριν χρησιμοποιήσετε την κασέτα μπαταριών, διαβάστε όλες τις οδηγίες και σημειώσεις προφύλαξης (1) στον φορτιστή μπαταριών, (2) στην μπαταρία και (3) στο προϊόν που χρησιμοποιεί την μπαταρία.
2. **Μην αποσυναρμολογήσετε την κασέτα μπαταριών.**
3. **Εάν ο χρόνος λειτουργίας έχει γίνει υπερβολικά βραχύς, σταματήστε τη λειτουργία αμέσως. Αλλιώς, μπορεί να έχει ως αποτέλεσμα κίνδυνο υπερθέρμανσης, πιθανά εγκαύματα ή ακόμη και έκρηξη.**
4. **Εάν ηλεκτρολύτης μπει στα μάτια σας, ξεπλύνετε τα με καθαρό νερό και ζητήστε ιατρική φροντίδα αμέσως. Αλλιώς, μπορεί να έχει ως αποτέλεσμα απώλεια της όρασης σας.**
5. **Μη βραχυκυκλώνετε την κασέτα μπαταριών:**
  - (1) **Μην αγγίζετε τους πόλους με οτιδήποτε αγώγιμο υλικό.**
  - (2) **Αποφεύγετε να αποθηκεύετε την κασέτα μπαταριών μέσα σε ένα δοχείο μαζί με άλλα μεταλλικά αντικείμενα όπως καρφιά, νομίσματα, κλπ.**
  - (3) **Μην εκθέτετε την κασέτα μπαταριών στο νερό ή στη βροχή.**

Ένα βραχυκύκλωμα μπαταρίας μπορεί να προκαλέσει μεγάλη ροή ρεύματος, υπερθέρμανση, πιθανά εγκαύματα ακόμη και σοβαρή βλάβη.
6. **Μην αποθηκεύετε το εργαλείο και την κασέτα μπαταριών σε τοποθεσίες όπου η θερμοκρασία μπορεί να φτάσει ή να ξεπεράσει τους 50°C.**
7. **Μην καίτε την κασέτα μπαταριών ακόμη και εάν έχει σοβαρή ζημιά ή είναι εντελώς φθαρμένη. Η κασέτα μπαταριών μπορεί να εκραγεί στη φωτιά.**
8. **Προσέχετε να μη ρίξετε κάτω ούτε να χτυπήσετε την μπαταρία.**
9. **Μη χρησιμοποιείτε μπαταρία που έχει υποστεί ζημιά.**
10. **Οι μπαταρίες ιόντων λιθίου που περιέχονται υπόκεινται στις απαιτήσεις της νομοθεσίας για επικίνδυνα αγαθά.**

Για εμπορικές μεταφορές, για παράδειγμα από τρίτα μέρη, πρέπει να τηρούνται οι διαμεταφορές, οι ειδικές απαιτήσεις στη συσκευασία και η επισήμανση. Για προετοιμασία του στοιχείου που αποστέλλεται, είναι απαραίτητο να συμβουλευτείτε έναν ειδικό για επικίνδυνα υλικά. Επίσης, τηρήστε τους πιθανούς, πιο αναλυτικούς εθνικούς κανονισμούς. Καλύψτε με αυτοκόλλητη ταινία ή κρύψτε τις ανοικτές επαφές και συσκευάστε την μπαταρία με τρόπο που να μην μπορεί να μετακινείται μέσα στη συσκευασία.
11. **Τηρήστε τους τοπικούς κανονισμούς που σχετίζονται με τη διάθεση της μπαταρίας.**
12. **Χρησιμοποιήστε τις μπαταρίες μόνο με τα προϊόντα που καθορίζει η Makita.** Αν τοποθετήσετε τις μπαταρίες σε μη συμβατά προϊόντα μπορεί να έχει ως αποτέλεσμα πυρκαγιά, υπερβολική θερμότητα, έκρηξη ή διαρροή ηλεκτρολύτη.

## ΦΥΛΑΞΕΤΕ ΤΙΣ ΟΔΗΓΙΕΣ ΑΥΤΕΣ.

**⚠ ΠΡΟΣΟΧΗ:** Να χρησιμοποιείτε μόνο γνήσιες μπαταρίες της Makita. Η χρήση μη γνήσιων μπαταριών Makita, ή μπαταριών που έχουν τροποποιηθεί, μπορεί να έχει ως αποτέλεσμα τη ρήξη της μπαταρίας, προκαλώντας πυρκαγιά, προσωπικό τραυματισμό και βλάβη. Επίσης, θα ακυρωθεί η εγγύηση της Makita για το εργαλείο και φορτιστή Makita.

## Συμβουλές για τη διατήρηση της μέγιστης ζωής μπαταρίας

1. Φορτίζετε την κασέτα μπαταριών πριν από την πλήρη αποφόρτισή της. Πάντοτε να σταματάτε τη λειτουργία του εργαλείου και να φορτίζετε την κασέτα μπαταριών όταν παρατηρείτε μειωμένη ισχύ εργαλείου.
2. Ποτέ μην επαναφορτίζετε μια πλήρως φορτισμένη κασέτα μπαταριών. Η υπερφόρτιση μειώνει την ωφέλιμη ζωή της μπαταρίας.
3. Να φορτίζετε την κασέτα μπαταριών σε θερμοκρασία δωματίου, δηλαδή στους 10°C έως 40°C. Αφήστε μια θερμή κασέτα μπαταριών να κρυώσει πριν την φορτίσετε.
4. Να φορτίζετε την κασέτα μπαταριών εάν δεν τη χρησιμοποιείτε για μεγάλη χρονική περίοδο (περισσότερο από έξι μήνες).

## Σημαντικές οδηγίες ασφάλειας για την ασύρματη μονάδα

1. Μην αποσυναρμολογείτε ή παραβιάζετε την ασύρματη μονάδα.
2. Διατηρείτε την ασύρματη μονάδα μακριά από μικρά παιδιά. Αν καταποθεί κατά λάθος, αναζητήστε αμέσως ιατρική βοήθεια.
3. Να χρησιμοποιείτε την ασύρματη μονάδα μόνο με εργαλεία της Makita.
4. Μην εκθέτετε την ασύρματη μονάδα στη βροχή ή σε υγρές συνθήκες.
5. Μη χρησιμοποιείτε την ασύρματη μονάδα σε μέρος όπου η θερμοκρασία ξεπερνάει τους 50°C.
6. Μη θέτετε την ασύρματη μονάδα σε λειτουργία σε μέρος όπου υπάρχουν ιατρικά όργανα, όπως καρδιακοί βηματοδότες.
7. Μη θέτετε την ασύρματη μονάδα σε λειτουργία σε μέρος όπου υπάρχουν αυτοματοποιημένες διατάξεις. Αν τεθούν σε λειτουργία, οι αυτοματοποιημένες συσκευές μπορεί να εμφανίσουν δυσλειτουργία ή σφάλμα.
8. Μη θέσετε σε λειτουργία την ασύρματη μονάδα σε μέρος με υψηλή θερμοκρασία ή σε μέρος όπου μπορεί να παραχθεί στατικός ηλεκτρισμός ή ηλεκτρικός θόρυβος.
9. Η ασύρματη μονάδα μπορεί να παράγει ηλεκτρομαγνητικά πεδία (ΗΜΠ) αλλά δεν είναι επιβλαβή για τον χρήστη.
10. Η ασύρματη μονάδα είναι ένα όργανο ακριβείας. Προσέχετε να μη ρίξετε κάτω ή να χτυπήσετε την ασύρματη μονάδα.
11. Αποφύγετε να αγγίζετε τον ακροδέκτη της ασύρματης μονάδας με γυμνά χέρια ή μεταλλικά υλικά.
12. Αφαιρείτε πάντοτε την μπαταρία από το προϊόν όταν τοποθετείτε σε αυτό την ασύρματη μονάδα.
13. Όταν ανοίγετε το καπάκι της σχισμής, αποφύγετε μέρη όπου μπορεί να εισέλθει σκόνη και νερό μέσα στη σχισμή. Να διατηρείτε πάντα καθαρή την είσοδο της σχισμής.
14. Να φορτώνετε πάντα την ασύρματη μονάδα με τη σωστή κατεύθυνση.
15. Μην πατήσετε το κουμπί ασύρματης ενεργοποίησης στην ασύρματη μονάδα πολύ δυνατά ή/και μην πατήσετε το κουμπί με ένα αντικείμενο με αιχμηρό άκρο.
16. Κατά τη λειτουργία, να κλείνετε πάντα το καπάκι της σχισμής.
17. Μην αφαιρείτε την ασύρματη μονάδα από τη σχισμή ενώ παρέχεται ισχύς στο εργαλείο. Αν το κάνετε αυτό, μπορεί να προκληθεί δυσλειτουργία της ασύρματης μονάδας.
18. Μην αφαιρείτε το αυτοκόλλητο στην ασύρματη μονάδα.
19. Μην τοποθετείτε αυτοκόλλητα επάνω στην ασύρματη μονάδα.
20. Μην αφήνετε την ασύρματη μονάδα σε ένα μέρος όπου μπορεί να παραχθεί στατικός ηλεκτρισμός ή ηλεκτρικός θόρυβος.
21. Μην αφήνετε την ασύρματη μονάδα σε ένα μέρος που υπόκειται σε υψηλή θερμότητα, όπως ένα αυτοκίνητο στον ήλιο.
22. Μην αφήνετε την ασύρματη μονάδα σε ένα μέρος με πολλή σκόνη ή πούδρα ή σε ένα μέρος όπου μπορεί να παραχθεί διαβρωτικό αέριο.
23. Η απότομη αλλαγή της θερμοκρασίας μπορεί να υγραίνει την ασύρματη μονάδα. Μη χρησιμοποιείτε την ασύρματη μονάδα μέχρι να στεγνώσει εντελώς όλη η υγρασία.
24. Όταν καθαρίζετε την ασύρματη μονάδα, σκουπίστε απαλά με ένα στεγνό μαλακό πανί. Μη χρησιμοποιείτε βενζίνη, νέφτι, αγωγίμο γράσο ή παρόμοιες ουσίες.
25. Όταν αποθηκεύετε την ασύρματη μονάδα, να τη διατηρείτε μέσα στην παρεχόμενη θήκη ή μέσα σε δοχείο χωρίς στατικό ηλεκτρισμό.
26. Μην εισαγάγετε καμία συσκευή διαφορετική από την ασύρματη μονάδα Makita μέσα στη σχισμή στο εργαλείο.
27. Μη χρησιμοποιείτε το εργαλείο αν το καπάκι της σχισμής είναι κατεστραμμένο. Αν εισέλθει νερό, σκόνη και βρομιά μέσα στη σχισμή, μπορεί να προκληθεί δυσλειτουργία.
28. Μην τραβάτε ή/και μη συστρέψετε το καπάκι της σχισμής περισσότερο από ότι απαιτείται. Τοποθετήστε ξανά το καπάκι αν βγει από το εργαλείο.
29. Αντικαταστήστε ξανά το καπάκι της σχισμής αν χαθεί ή καταστραφεί.

## ΦΥΛΑΞΕΤΕ ΑΥΤΕΣ ΤΙΣ ΟΔΗΓΙΕΣ.

## ΠΕΡΙΓΡΑΦΗ ΛΕΙΤΟΥΡΓΙΑΣ

**▲ΠΡΟΣΟΧΗ:** Να φροντίζετε πάντα για την απενεργοποίηση του εργαλείου και την αφαίρεση της κασέτας μπαταρίας, πριν από οποιαδήποτε ρύθμιση ή έλεγχο της λειτουργίας του.

### Τοποθέτηση ή αφαίρεση της κασέτας μπαταριών

**▲ΠΡΟΣΟΧΗ:** Να σβήνετε πάντα το εργαλείο πριν τοποθετήσετε ή αφαιρέσετε την κασέτα μπαταριών.

**▲ΠΡΟΣΟΧΗ:** Κρατήστε το εργαλείο και την κασέτα μπαταριών σταθερά κατά την τοποθέτηση ή αφαίρεση της κασέτας μπαταριών. Εάν δεν κρατάτε το εργαλείο και την κασέτα μπαταριών σταθερά μπορεί να γλιστρήσουν από τα χέρια σας και να προκληθεί βλάβη στο εργαλείο και την κασέτα μπαταριών και προσωπικός τραυματισμός.

**▲ΠΡΟΣΟΧΗ:** Να κατεβάζετε πάντα τη βάση όταν τοποθετείτε/αφαιρείτε τις μπαταρίες. Προσέχετε να μην πιαστούν τα δάχτυλά σας.

**▲ΠΡΟΣΟΧΗ:** Μην χρησιμοποιείτε προσαρμογέα μπαταρίας με το διακοπτήριο. Το καλώδιο του προσαρμογέα μπαταρίας μπορεί να δυσκολέψει τη λειτουργία και να έχει ως αποτέλεσμα ατομικό τραυματισμό.

► **Εικ.7:** 1. Μοχλός 2. Κόκκινη ένδειξη 3. Κουμπί 4. Κασέτα μπαταριών

Πριν αφαιρέσετε την κασέτα μπαταριών, χαλαρώστε το μοχλό για τη ρύθμιση βάθους για να χαμηλώσετε τη βάση εργαλείου. Μετά, σύρετε την μπαταρία από το εργαλείο ενώ σύρετε το κουμπί στο μπροστινό μέρος της κασέτας.

Για να τοποθετήσετε την κασέτα μπαταριών, ευθυγραμμίστε τη γλώσσα στην κασέτα μπαταριών με την αύλακα στην υποδοχή και ολισθήστε τη στη θέση της. Να την τοποθετείτε πλήρως μέχρι να ασφαλίσει στη θέση της, γεγονός που υποδεικνύεται με ένα χαρακτηριστικό ήχο. Εάν μπορείτε να δείτε την κόκκινη ένδειξη στην επάνω πλευρά του κουμπιού, δεν έχει κλειδώσει τελείως.

**▲ΠΡΟΣΟΧΗ:** Να τοποθετείτε πάντα την κασέτα μπαταριών πλήρως μέχρι να μη βλέπετε την κόκκινη ένδειξη. Εάν δεν ασφαλιστεί, μπορεί να πέσει από το εργαλείο τυχαία, προκαλώντας σωματική βλάβη σε εσάς ή κάποιον άλλο γύρω σας.

**▲ΠΡΟΣΟΧΗ:** Μην τοποθετείτε την κασέτα μπαταριών με βία. Εάν η κασέτα δεν ολισθαίνει με ευκολία, τότε δεν έχει τοποθετηθεί κατάλληλα.

**ΠΑΡΑΤΗΡΗΣΗ:** Το εργαλείο δεν λειτουργεί με μόνο μία κασέτα μπαταριών.

## Σύστημα προστασίας εργαλείου/μπαταρίας

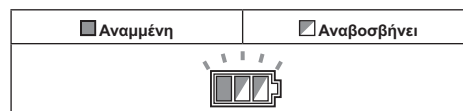
Το εργαλείο είναι εξοπλισμένο με σύστημα προστασίας εργαλείου/μπαταρίας. Αυτό το σύστημα αποκόπτει αυτόματα την ισχύ προς το μοτέρ για να παραταθεί η διάρκεια λειτουργίας του εργαλείου και της μπαταρίας. Το εργαλείο σταματάει αυτόματα κατά τη διάρκεια της λειτουργίας εάν το εργαλείο ή η μπαταρία βρεθούν κάτω από τις παρακάτω συνθήκες. Σε μερικές συνθήκες, οι ενδείξεις ανάβουν.

### Προστασία υπερφόρτωσης

Όταν το εργαλείο λειτουργεί με τρόπο που προκαλεί την κατανάλωση ενός ασυνήθιστα υψηλού ηλεκτρικού ρεύματος, το εργαλείο σταματάει αυτόματα. Σε αυτή την κατάσταση, σβήστε το εργαλείο και διακόψτε την εφαρμογή που προκαλεί την υπερφόρτωση του εργαλείου. Μετά, ενεργοποιήστε το εργαλείο για επανεκκίνηση.

### Προστασία υπερθέρμανσης

Όταν το εργαλείο υπερθερμανθεί, το εργαλείο σταματάει αυτόματα και η ένδειξη μπαταρίας αναβοσβήνει για περίπου 60 δευτερόλεπτα. Σε αυτή την κατάσταση, αφήστε να μειωθεί η θερμοκρασία του εργαλείου πριν ενεργοποιήσετε ξανά το εργαλείο.



### Προστασία υπερβολικής αποφόρτισης

Όταν μειωθεί η χωρητικότητα μπαταρίας, το εργαλείο σταματάει αυτόματα. Εάν το προϊόν δεν τίθεται σε λειτουργία ακόμα και όταν πραγματοποιείται χειρισμός των διακοπών, βγάλτε τις μπαταρίες από το εργαλείο και φορτίστε τις.

## Υπόδειξη υπόλοιπης χωρητικότητας μπαταρίας

► **Εικ.8:** 1. Ένδειξη μπαταρίας 2. Κουμπί ελέγχου

Πιέστε το κουμπί ελέγχου για να εμφανιστεί η υπόλοιπη χωρητικότητα της μπαταρίας. Οι ενδείξεις μπαταριών αντιστοιχούν σε κάθε μπαταρία.

Κατάσταση ένδειξης μπαταρίας			Υπολειπόμενη χωρητικότητα μπαταρίας
<input checked="" type="checkbox"/> Αναμμένες	<input type="checkbox"/> Σβηστές	<input checked="" type="checkbox"/> Αναβοσβήνουν	
			50% έως 100%
			20% έως 50%
			0% έως 20%
			Φορτίστε την μπαταρία

## Εμφάνιση υπολειπόμενης χωρητικότητας μπαταρίας

Μόνο για κασέτες μπαταρίας με την ενδεικτική λυχνία

► **Εικ.9:** 1. Ενδεικτικές λυχνίες 2. Κουμπί ελέγχου

Πιέστε το κουμπί ελέγχου στην κασέτα μπαταριών για να υποδείξετε την υπολειπόμενη χωρητικότητα μπαταρίας. Οι ενδεικτικές λυχνίες ανάβουν για λίγα δευτερόλεπτα.

Ενδεικτικές λυχνίες			Υπολειπόμενη χωρητικότητα
Αναμμένες	Σβηστές	Αναβοσβήνουν	
■ ■ ■ ■ ■			75% έως 100%
■ ■ ■ ■ □			50% έως 75%
■ ■ □ □			25% έως 50%
■ □ □ □			0% έως 25%
■ □ □ □	□ □ □ □		Φορτίστε την μπαταρία.
■ ■ □ □	□ □ □ □	↑ ↓	Μπορεί να προέκυψε δυσλειτουργία στην μπαταρία.

**ΠΑΡΑΤΗΡΗΣΗ:** Ανάλογα με τις συνθήκες χρήσης και τη θερμοκρασία περιβάλλοντος, η ένδειξη μπορεί να διαφέρει λίγο από την πραγματική χωρητικότητα.

## Δράση διακόπτη

**ΠΡΟΕΙΔΟΠΟΙΗΣΗ:** Πριν βάλετε την κασέτα μπαταρίας μέσα στο εργαλείο, να ελέγχετε πάντα να δείτε αν η σκανδάλη διακόπτης ενεργοποιείται κανονικά και επιστρέφει στη θέση «OFF» όταν ελευθερώνεται.

**ΠΡΟΕΙΔΟΠΟΙΗΣΗ:** Μην παρακάμψετε ΠΟΤΕ το κουμπί απασφάλισης συγκρατώντας το πιεσμένο με αυτοκόλλητη ταινία ή άλλο μέσο. Ένας διακόπτης με παραβιασμένο κουμπί απασφάλισης μπορεί να προκαλέσει ακούσια λειτουργία και σοβαρό ατομικό τραυματισμό.

**ΠΡΟΕΙΔΟΠΟΙΗΣΗ:** Μη χρησιμοποιείτε ΠΟΤΕ το εργαλείο αν μπορείτε να το θέσετε σε λειτουργία πιέζοντας απλά τη σκανδάλη διακόπτη, χωρίς να πατήσετε και το κουμπί απασφάλισης. Ένας διακόπτης που απαιτεί επισκευή μπορεί να προκαλέσει ακούσια λειτουργία και σοβαρό ατομικό τραυματισμό. Στείλτε το εργαλείο σε κέντρο εξυπηρέτησης της Makita για να το επισκευάσουν σωστά ΠΡΙΝ το χρησιμοποιήσετε ξανά.

Για να μην πιέζεται η σκανδάλη διακόπτης κατά λάθος, παρέχεται ένα κουμπί απασφάλισης. Για να ξεκινήσετε τη λειτουργία του εργαλείου, πατήστε το κουμπί απασφάλισης και τραβήξτε τη σκανδάλη διακόπτη. Ελευθερώστε τη σκανδάλη διακόπτη για να σταματήσει.

► **Εικ.10:** 1. Σκανδάλη διακόπτης 2. Κουμπί απασφάλισης

**ΕΙΔΟΠΟΙΗΣΗ:** Μην τραβάτε τη σκανδάλη διακόπτη δυνατά χωρίς να πατήσετε μέσα το κουμπί απασφάλισης. Αυτό μπορεί να προκαλέσει βλάβη του διακόπτη.

**ΠΡΟΣΟΧΗ:** Το εργαλείο αρχίζει να φρενάρει την περιστροφή της λάμας δισκοπριονίου αμέσως μόλις αφήσετε τη σκανδάλη διακόπτη. Κρατήστε το εργαλείο σταθερά για να ανταποκριθείτε στην αντίδραση του φρένου όταν αφήσετε τη σκανδάλη διακόπτη. Με την αιφνίδια αντίδραση το εργαλείο μπορεί να πέσει από τα χέρια σας και να προκαλέσει προσωπικό τραυματισμό.

## Αυτόματη λειτουργία αλλαγής ταχύτητας

Αυτό το εργαλείο έχει «τρόπο λειτουργίας υψηλής ταχύτητας» και «τρόπο λειτουργίας υψηλής ροπής». Το εργαλείο αλλάζει αυτόματα τον τρόπο λειτουργίας ανάλογα με το φόρτο εργασίας. Όταν το φόρτο εργασίας είναι χαμηλό, το εργαλείο θα λειτουργεί με τον «τρόπο λειτουργίας υψηλής ταχύτητας» για πιο γρήγορη λειτουργία κοπής. Όταν το φόρτο εργασίας είναι υψηλό, το εργαλείο θα λειτουργεί με τον «τρόπο λειτουργίας υψηλής ροπής» για πιο ισχυρή λειτουργία κοπής.

► **Εικ.11:** 1. Ένδειξη τρόπου λειτουργίας

Η ένδειξη τρόπου λειτουργίας ανάβει με πράσινο χρώμα όταν το εργαλείο λειτουργεί με τον «τρόπο λειτουργίας υψηλής ροπής». Αν το εργαλείο τεθεί σε λειτουργία με υπερβολικό φόρτο, η ένδειξη τρόπου λειτουργίας θα αναβοσβήνει με πράσινο χρώμα. Η ένδειξη τρόπου λειτουργίας σταματάει να αναβοσβήνει και μετά ανάβει ή σβήνει αν μειώσετε το φόρτο στο εργαλείο.

Κατάσταση ένδειξης τρόπου λειτουργίας			Τρόπος λειτουργίας
● Αναμμένη	○ Σβηστή	● Αναβοσβήνει	
	○		Τρόπος λειτουργίας υψηλής ταχύτητας
	●		Τρόπος λειτουργίας υψηλής ροπής
		●	Ειδοποίηση υπερφόρτωσης

## Ρύθμιση του βάθους κοπής

**ΠΡΟΣΟΧΗ:** Μόλις ρυθμίσετε το βάθος κοπής, να σφίγγετε πάντα το μοχλό.

Ξεσφίξτε το μοχλό στον οδηγό βάθους και μετακινήστε τη βάση πάνω ή κάτω. Στο επιθυμητό βάθος κοπής, ασφαλίστε τη βάση σφίγγοντας το μοχλό.

Για πιο καθαρές, ασφαλείς τομές, καθορίστε το βάθος κοπής ώστε να μην προεξέχουν περισσότερα από ένα δόντι της λάμας, κάτω από το τεμάχιο εργασίας. Η χρήση κατάλληλου βάθους κοπής συμβάλλει στη μείωση της πιθανότητας επικίνδυνου ΚΛΟΤΣΗΜΑΤΟΣ που μπορεί να προκαλέσει τραυματισμό.

► **Εικ.12:** 1. Μοχλός

## Κωνική κοπή

**▲ΠΡΟΣΟΧΗ:** Αφού ρυθμίσετε τη λοξοτομή, να σφίγγετε πάντα τις βίδες σύσφιξης με ασφάλεια.

Χαλαρώστε τις βίδες σύσφιξης. Ρυθμίστε για την επιθυμητή γωνία δίνοντας την κατάλληλη κλίση και μετά σφίξτε καλά τις βίδες σύσφιξης.

► **Εικ.13:** 1. Βίδα σύσφιξης

Χρησιμοποιήστε τον αναστολέα όταν θέλετε να κάνετε μια κοπή ακριβώς 45°. Περιστρέψτε πλήρως τον αναστολέα όπως απεικονίζεται, ανάλογα με 0° έως 45° κωνική κοπή ή 0° έως 48° κωνική κοπή.

► **Εικ.14:** 1. Αναστολέας

## Σκόπευση

Για ίσιες κοπές, ευθυγραμμίστε τη θέση 0° στο εμπρόσθιο της βάσης με τη γραμμή κοπής σας. Για κωνικές κοπές 45°, ευθυγραμμίστε τη θέση 45° με αυτήν.

► **Εικ.15:** 1. Γραμμή κοπής (θέση 0°) 2. Γραμμή κοπής (θέση 45°)

## Άναμμα της λάμπας

**▲ΠΡΟΣΟΧΗ:** Μην κοιτάζετε κατευθείαν μέσα στο φως ή στην πηγή φωτός.

Για να ανάψετε τη λάμπα χωρίς να θέσετε το εργαλείο σε λειτουργία, τραβήξτε τη σκανδάλη διακόπτη χωρίς να πατήσετε το κουμπί απασφάλισης.

Για να ανάψετε τη λάμπα ενώ το εργαλείο βρίσκεται σε λειτουργία, πατήστε παρατεταμένα το κουμπί απασφάλισης και τραβήξτε τη σκανδάλη διακόπτη.

Η λάμπα σβήνει 10 δευτερόλεπτα αφού αφήσετε τη σκανδάλη διακόπτη.

► **Εικ.16:** 1. Λάμπα

**ΠΑΡΑΤΗΡΗΣΗ:** Χρησιμοποιήστε ένα στεγνό πανί για να σκουπίσετε τη σκόνη από το φακό της λάμπας. Προσέχετε να μη γρατζουνίσετε το φακό της λάμπας, επειδή μπορεί να μειωθεί η ένταση του φωτισμού.

## Γάντζος

### Προαιρετικό εξάρτημα

**▲ΠΡΟΣΟΧΗ:** Να αφαιρείτε πάντα την μπαταρία όταν κρεμάτε το εργαλείο με το γάντζο.

**▲ΠΡΟΣΟΧΗ:** Μην κρεμάτε ποτέ το εργαλείο από το γάντζο σε υψηλές τοποθεσίες ή σε επιφάνειες όπου το εργαλείο μπορεί να χάσει την ισορροπία του και να πέσει.

**▲ΠΡΟΣΟΧΗ:** Μην τραβάτε το εργαλείο προς τα κάτω όταν είναι κρεμασμένο στο γάντζο.

Ο γάντζος χρησιμεύει για το προσωρινό κρέμασμα του εργαλείου.

► **Εικ.17**

Προσαρτήστε το γάντζο με τις βίδες όπως απεικονίζεται.

► **Εικ.18:** 1. Γάντζος 2. Βίδα

Για να χρησιμοποιήσετε το γάντζο, απλώς περιστρέψτε τον γάντζο μέχρι να ασφαλίσει στην ανοιχτή θέση.

Όταν δεν χρησιμοποιείτε το γάντζο, πάντα να τον περιστρέψετε έως ότου ασφαλίσει στην κλειστή θέση.

► **Εικ.19:** 1. Ανοιχτή θέση 2. Κλειστή θέση

## Ηλεκτρονικό φρένο

Το εργαλείο αυτό είναι εξοπλισμένο με ηλεκτρικό φρένο λάμας. Αν το εργαλείο αποτυγχάνει συνεχώς να σταματάει γρήγορα τη λάμα δισκοπρίονου αφού αφήσετε το μοχλό-διακόπτη, ζητήστε την επισκευή του εργαλείου από κέντρο εξυπηρέτησης της Makita.

**▲ΠΡΟΣΟΧΗ:** Το σύστημα φρεναρίσματος λάμας δεν αντικαθιστά το προφυλακτήρα λάμας. ΠΟΤΕ ΜΗ ΧΡΗΣΙΜΟΠΟΙΗΣΕΤΕ ΤΟ ΕΡΓΑΛΕΙΟ ΧΩΡΙΣ ΛΕΙΤΟΥΡΓΙΚΟ ΠΡΟΦΥΛΑΚΤΗΡΑ ΛΑΜΑΣ. ΜΠΟΡΕΙ ΝΑ ΠΡΟΚΥΨΕΙ ΣΟΒΑΡΟΣ ΠΡΟΣΩΠΙΚΟΣ ΤΡΑΥΜΑΤΙΣΜΟΣ.

## Ηλεκτρονική λειτουργία

Τα εργαλεία που είναι εξοπλισμένα με ηλεκτρονική λειτουργία είναι εύκολα στη χρήση λόγω του(ων) ακούλου(ων) χαρακτηριστικού(ών).

**Δυνατότητα ομαλής έναρξης**

Ομαλή έναρξη επειδή καταστέλλεται η αιφνίδια έναρξη.

## ΣΥΝΑΡΜΟΛΟΓΗΣΗ

**▲ΠΡΟΣΟΧΗ:** Να βεβαιώνετε πάντα ότι το εργαλείο είναι σβηστό και η κασέτα μπαταρίας έχει αφαιρεθεί πριν εκτελέσετε κάποια εργασία στο εργαλείο.

## Φύλαξη εξαγωνικού κλειδιού

Όταν δεν χρησιμοποιείτε το εξαγωνικό κλειδί, αποθηκεύστε το όπως απεικονίζεται, για να μην το χάσετε.

► **Εικ.20:** 1. Εξαγωνικό κλειδί

## Αφαίρεση ή τοποθέτηση της λάμας δισκοπρίονου

**▲ΠΡΟΣΟΧΗ:** Βεβαιωθείτε ότι η λάμα δισκοπρίονου έχει τοποθετηθεί με τα δόντια κατευθυνόμενα προς τα πάνω στο μπροστινό μέρος του εργαλείου.

**▲ΠΡΟΣΟΧΗ:** Χρησιμοποιείτε μόνο το κλειδί Makita για την τοποθέτηση ή την αφαίρεση της λάμας δισκοπρίονου.

Για να αφαιρέσετε τη λάμα δισκοπρίονου, πατήστε πλήρως το κλειδίωμα άξονα έτσι ώστε η λάμα δισκοπρίονου να μην μπορεί να περιστραφεί και χρησιμοποιήστε το εξαγωνικό κλειδί για να χαλαρώσετε το εξαγωνικό μπουλόνι. Μετά, αφαιρέστε το εξαγωνικό μπουλόνι, την εξωτερική φλάντζα, τη λάμα δισκοπρίονου και τον δακτύλιο (ειδικό της χώρας).

► **Εικ.21:** 1. Κλειδίωμα άξονα 2. Εξαγωνικό κλειδί 3. Ξεσφίξτε 4. Σφίξτε

**Για εργαλείο χωρίς δακτύλιο**

► **Εικ.22:** 1. Εξαγωνικό μπουλόνι 2. Εξωτερική φλάντζα 3. Λάμα δισκοπρίονου 4. Εσωτερική φλάντζα

#### Για εργαλείο με δακτύλιο

- **Εικ.23:** 1. Εξαγωνικό μπουλόνι 2. Εξωτερική φλάντζα 3. Λάμα δισκοπριονίου 4. Δακτύλιος 5. Εσωτερική φλάντζα

Για να τοποθετήσετε τη λάμα δισκοπριονίου, ακολουθήστε τη διαδικασία αφαίρεσης με αντίστροφη σειρά.

#### Για εργαλείο με εσωτερική φλάντζα για λάμες διαφορετικές από τη λάμα πριονιού με οπή διαμέτρου 15,88 mm

Η εσωτερική φλάντζα έχει μια προεξοχή ορισμένης διαμέτρου στη μία πλευρά και μια προεξοχή διαφορετικής διαμέτρου στην άλλη πλευρά. Επιλέξτε την κατάλληλη πλευρά στην οποία η προεξοχή ταιριάζει καλά στην οπή της λάμας πριονιού. Στερεώστε την εσωτερική φλάντζα στον άξονα στερέωσης ώστε η σωστή πλευρά της προεξοχής στην εσωτερική φλάντζα να είναι στραμμένη προς τα έξω και μετά τοποθετήστε τη λάμα πριονιού και την εξωτερική φλάντζα.

- **Εικ.24:** 1. Άξονας στερέωσης 2. Εσωτερική φλάντζα 3. Λάμα δισκοπριονίου 4. Εξωτερική φλάντζα 5. Εξαγωνικό μπουλόνι

**▲ ΠΡΟΕΙΔΟΠΟΙΗΣΗ:** ΒΕΒΑΙΩΘΕΙΤΕ ΟΤΙ ΣΦΙΞΑΤΕ ΤΟ ΕΞΑΓΩΝΙΚΟ ΜΠΟΥΛΟΝΙ ΔΕΞΙΟΣΤΡΟΦΑ ΜΕ ΑΣΦΑΛΕΙΑ. Επίσης, να προσέχετε να μην σφίξετε το μπουλόνι με δύναμη. Αν το χέρι σας γλιστρήσει από το εξαγωνικό κλειδί, μπορεί να προκληθεί ατομικός τραυματισμός.

**▲ ΠΡΟΕΙΔΟΠΟΙΗΣΗ:** Βεβαιωθείτε ότι η προεξοχή «a» στην εσωτερική φλάντζα που είναι τοποθετημένη εξωτερικά ταιριάζει καλά με την οπή «a» της λάμας πριονιού. Η στερέωση της λάμας στη λανθασμένη πλευρά μπορεί να οδηγήσει σε επικίνδυνο κραδασμό.

#### Για εργαλείο με εσωτερική φλάντζα για λάμα πριονιού με οπή διαμέτρου 15,88 mm (ειδικό της χώρας)

Τοποθετήστε την εσωτερική φλάντζα στον άξονα στερέωσης ώστε η πλευρά με το κοίλωμα να είναι στραμμένη προς τα έξω και στη συνέχεια τοποθετήστε τη λάμα πριονιού (με συνδεδεμένο τον δακτύλιο εάν απαιτείται), την εξωτερική φλάντζα και το εξαγωνικό μπουλόνι.

#### Για εργαλείο χωρίς δακτύλιο

- **Εικ.25:** 1. Άξονας στερέωσης 2. Εσωτερική φλάντζα 3. Λάμα δισκοπριονίου 4. Εξωτερική φλάντζα 5. Εξαγωνικό μπουλόνι

#### Για εργαλείο με δακτύλιο

- **Εικ.26:** 1. Άξονας στερέωσης 2. Εσωτερική φλάντζα 3. Λάμα δισκοπριονίου 4. Εξωτερική φλάντζα 5. Εξαγωνικό μπουλόνι 6. Δακτύλιος

**▲ ΠΡΟΕΙΔΟΠΟΙΗΣΗ:** ΒΕΒΑΙΩΘΕΙΤΕ ΟΤΙ ΣΦΙΞΑΤΕ ΤΟ ΕΞΑΓΩΝΙΚΟ ΜΠΟΥΛΟΝΙ ΔΕΞΙΟΣΤΡΟΦΑ ΜΕ ΑΣΦΑΛΕΙΑ. Επίσης, να προσέχετε να μην σφίξετε το μπουλόνι με δύναμη. Αν το χέρι σας γλιστρήσει από το εξαγωνικό κλειδί, μπορεί να προκληθεί ατομικός τραυματισμός.

**▲ ΠΡΟΕΙΔΟΠΟΙΗΣΗ:** Αν απαιτείται ο δακτύλιος για τη στερέωση της λάμας στο αξόνιο, να βεβαιώσετε πάντα ότι έχει τοποθετηθεί ο σωστός δακτύλιος για την οπή δίσκου της λάμας που σκοπεύετε να χρησιμοποιήσετε, μεταξύ της εσωτερικής και εξωτερικής φλάντζας. Η χρήση εσφαλμένου δακτυλίου για την οπή άξονα μπορεί να καταλήξει σε εσφαλμένη στερέωση της λάμας προκαλώντας κίνηση της λάμας και σοβαρό κραδασμό με αποτέλεσμα πιθανή απώλεια ελέγχου κατά τη διάρκεια της λειτουργίας και σοβαρό προσωπικό τραυματισμό.

#### Καθαρισμός προφυλακτήρα λάμας

Όταν αλλάζετε τη λάμα δισκοπριονίου, φροντίστε να καθαρίσετε επίσης τον άνω και κάτω προφυλακτήρα λάμας από τα συσσωρευμένα πριονίδια όπως συζητήθηκε στην παράγραφο "Συντήρηση". Αυτές οι ενέργειες δεν αντικαθιστούν την ανάγκη ελέγχου της λειτουργίας του κάτω προφυλακτήρα πριν από κάθε χρήση.

#### Σύνδεση με ηλεκτρική σκούπα

Όταν θέλετε να εκτελέσετε κοπές καθαρά, συνδέστε την ηλεκτρική σκούπα της Makita στο εργαλείο που διαθέτετε. Συνδέστε τον εύκαμπτο σωλήνα της ηλεκτρικής σκούπας στο ακροφύσιο σκόνης, όπως απεικονίζεται.

- **Εικ.27:** 1. Ακροφύσιο σκόνης 2. Βίδα

- **Εικ.28:** 1. Εύκαμπτος σωλήνας 2. Ηλεκτρική σκούπα

#### ΛΕΙΤΟΥΡΓΙΑ

Το εργαλείο αυτό προορίζεται για την κοπή ξύλινων προϊόντων. Με κατάλληλες γνήσιες λάμες δισκοπριονίου της Makita, μπορείτε να πριονίσετε και τα ακόλουθα υλικά:

- Αλουμινένια προϊόντα

Ανατρέξτε στον ιστότοπό μας ή επικοινωνήστε με τον τοπικό σας αντιπρόσωπο της Makita για τις σωστές λάμες δισκοπριονίου για χρήση με το υλικό προς κοπή.

#### Έλεγχος της λειτουργίας προφυλακτήρα λάμας

Ρυθμίστε την κωνική γωνία στις 0° και μετά μαζέψτε χειροκίνητα το κάτω προστατευτικό μέχρι το άκρο και αφήστε το. Το κάτω προστατευτικό λειτουργεί αν:

- μαζευτεί πάνω από τη βάση χωρίς εμπόδιο και
- επιστρέφει αυτόματα και έρθει σε επαφή με τον αναστολέα.

- **Εικ.29:** 1. Άνω προστατευτικό 2. Κάτω προστατευτικό 3. Βάση 4. Αναστολέας 5. Άνοιγμα 6. Κλείσιμο

Αν το κάτω προστατευτικό δεν λειτουργεί σωστά, ελέγξτε αν έχουν συσσωρευτεί πριονίδια στο εσωτερικό των άνω και κάτω προστατευτικών. Αν το κάτω προστατευτικό δεν λειτουργεί σωστά, ακόμη και μετά την αφαίρεση της σκόνης, ζητήστε την επισκευή του εργαλείου από κέντρο εξυπηρέτησης της Makita.

## Λειτουργία κοπής

**▲ΠΡΟΣΟΧΗ:** Φοράτε μάσκα για τη σκόνη όταν εκτελείτε λειτουργία κοπής.

**▲ΠΡΟΣΟΧΗ:** Βεβαιωθείτε ότι μετακινείτε το εργαλείο απαλά προς τα εμπρός σε μια ευθεία γραμμή. Αν πιέσετε ή συστρέψετε το εργαλείο, θα έχει ως αποτέλεσμα την υπερθέρμανση του μοτέρ και επικίνδυνο κλότσημα, που πιθανώς να προκαλέσει σοβαρό τραυματισμό.

**ΠΑΡΑΤΗΡΗΣΗ:** Όταν η θερμοκρασία της κασέτας μπαταριών είναι χαμηλή, το εργαλείο μπορεί να μη λειτουργεί με την πλήρη ικανότητά του. Αυτή τη στιγμή, για παράδειγμα, να χρησιμοποιείτε το εργαλείο για ελαφριές κοπές, μέχρι η κασέτα μπαταριών να θερμανθεί μέχρι τη θερμοκρασία δωματίου. Κατόπιν, μπορείτε να χρησιμοποιήσετε το εργαλείο στην πλήρη ικανότητά του.

### ► Εικ.30

Κρατάτε το εργαλείο σταθερά. Το εργαλείο παρέχεται με εμπρόσθια λαβή και με πίσω χειρολαβή. Χρησιμοποιείτε και τις δύο για καλό κράτημα του εργαλείου. Αν κρατάτε το πριόνι και με τα δύο χέρια, δεν είναι δυνατό να κοπούν από τη λάμα δισκοπριόνου. Θέστε τη βάση στο τεμάχιο εργασίας που πρόκειται να κοπεί χωρίς η λάμα δισκοπριόνου να κάνει καμία επαφή. Μετά ανάψτε το εργαλείο και περιμένετε μέχρι η λάμα δισκοπριόνου να αποκτήσει πλήρη ταχύτητα. Τώρα, απλά μετακινήστε το εργαλείο προς τα εμπρός πάνω στην επιφάνεια του τεμαχίου εργασίας, κρατώντας το επίπεδο και προωθώντας το ομαλά μέχρι να ολοκληρωθεί η κοπή.

Για να έχετε καθαρές κοπές, κρατάτε τη γραμμή κοπής ευθεία και την ταχύτητα προώθησης ομοιόμορφη. Αν η κοπή δεν ακολουθήσει σωστά την προοριζόμενη γραμμή κοπής, μην επιχειρήσετε να γυρίσετε ή να πιέσετε το εργαλείο ξανά στη γραμμή κοπής. Αν το κάνετε αυτό, μπορεί να πιαστεί η λάμα δισκοπριόνου και να προκληθεί επικίνδυνο κλότσημα ή πιθανός σοβαρός τραυματισμός. Αφήστε το διακόπτη, περιμένετε να ακινητοποιηθεί η λάμα δισκοπριόνου και κατόπιν αποσύρτε το εργαλείο. Ευθυγραμμίστε ξανά το εργαλείο σε καινούργια γραμμή κοπής και ξεκινήστε ξανά την κοπή. Προσπαθήστε να αποφύγετε θέσεις που εκθέτουν τον χειριστή στα πριονίδια και την ξυλόσκονη που εκπινάζονται από το πριόνι. Χρησιμοποιήστε προστασία ματιών για την αποφυγή τραυματισμού.

## Οδηγός κομματιού (Κανόνας οδηγός)

**▲ΠΡΟΣΟΧΗ:** Πριν από τη χρήση, βεβαιωθείτε ότι ο οδηγός κομματιού είναι τοποθετημένος στη σωστή θέση. Ένα λανθασμένο εξάρτημα μπορεί να προκαλέσει επικίνδυνο κλότσημα.

- Εικ.31: 1. Οδηγός κομματιού (Κανόνας οδηγός)  
2. Βίδα σύσφιξης

Ο πρακτικός οδηγός κομματιού σας επιτρέπει να κάνετε εξαιρετικά ακριβείς ίσιες κοπές. Απλώς σύρτε τον οδηγό κομματιού εφαρμοστά στην πλευρά του τεμαχίου εργασίας και ασφαλίστε το στη θέση του με τη βίδα στο μπροστινό μέρος της βάσης. Επίσης καθιστά δυνατό να εκτελεστούν επαναληπτικές κοπές με ομοιόμορφο πλάτος.

## Ράγα οδήγησης

### Προαιρετικό εξάρτημα

Τοποθετήστε το εργαλείο στο πίσω μέρος της ράγας οδήγησης. Περιστρέψτε τις δύο βίδες ρύθμισης στη βάση εργαλείου για να ολισθαίνει το εργαλείο ομαλά χωρίς κρότο. Κρατάτε σταθερά την μπροστινή λαβή και την πίσω χειρολαβή του εργαλείου. Ενεργοποιήστε το εργαλείο και κόψτε τον προφυλακτήρα σκλήθρων σε ολόκληρο το μήκος με μια διαδρομή. Τώρα το άκρο του προφυλακτήρα σκλήθρων αντιστοιχεί στο άκρο κοπής.

► Εικ.32: 1. Βίδες ρύθμισης

Όταν εκτελείται κωνική κοπή με τη ράγα οδήγησης, χρησιμοποιήστε το μοχλό ολίσθησης για να εμποδίσετε την πτώση του εργαλείου.

Μετακινήστε το μοχλό ολίσθησης στη βάση εργαλείου προς την κατεύθυνση του βέλους ώστε να δεσμευτεί στην εγκοπή υποτομής στη ράγα οδήγησης.

► Εικ.33: 1. Μοχλός ολίσθησης

## Σύνδεση αναδέτη (ιμάντας πρόσδεσης)

**▲Προειδοποιήσεις ασφαλείας ειδικά για χρήση από ύψος**

**Διαβάστε όλες τις προειδοποιήσεις για την ασφάλεια και τις οδηγίες.** Η μη τήρηση των προειδοποιήσεων και οδηγιών μπορεί να έχει ως αποτέλεσμα σοβαρό τραυματισμό.

1. **Να διατηρείτε πάντα το εργαλείο προσδεμένο όταν εργάζεστε από ύψος. Το μέγιστο μήκος αναδέτη είναι 2 m.**
2. **Να χρησιμοποιείτε μόνο με αναδέτες κατάλληλους για αυτόν τον τύπο εργαλείου και με ονομαστική τιμή τουλάχιστον 6,0 kg (13,3 lbs).** Μην αγκυρώνετε τον αναδέτη εργαλείου σε οτιδήποτε υπάρχει επάνω στο σώμα σας ή σε κινητά εξαρτήματα. Να αγκυρώνετε τον αναδέτη εργαλείου σε μια άκαμπτη δομή που μπορεί να αντέχει στις δυνάμεις που ασκεί ένα εργαλείο που πέφτει.
3. **Βεβαιωθείτε ότι ο αναδέτης είναι σωστά ασφαλισμένος σε κάθε άκρο πριν από τη χρήση.**
4. **Επιθεωρήστε το εργαλείο και τον αναδέτη πριν από κάθε χρήση για ζημιά και σωστή λειτουργία (συμπεριλαμβανομένου του υφάσματος και των ραφών).** Μην χρησιμοποιείτε αν υπάρχει ζημιά ή δεν λειτουργεί σωστά.
5. **Μην περιτυλίγετε τους αναδέτες και μην τους αφήνετε να έρθουν σε επαφή με αιχμηρά ή σκληρά άκρα.**
6. **Συνδέστε το άλλο άκρο του αναδέτη σε ένα σημείο έξω από το χώρο εργασίας ώστε το εργαλείο να συγκρατηθεί με ασφάλεια στην περίπτωση που πέσει.**
7. **Προσδέστε τον αναδέτη με τρόπο ώστε το εργαλείο να απομακρυνθεί από τον χειριστή σε περίπτωση που πέσει.** Τα εργαλεία που πέφτουν αιωρούνται στον αναδέτη, γεγονός που μπορεί να προκαλέσει τραυματισμό και απώλεια ισορροπίας.



9. Μην χρησιμοποιείτε κοντά σε κινούμενα μέρη ή σε μηχανήματα που βρίσκονται σε λειτουργία. Η μη τήρηση αυτού μπορεί να έχει ως αποτέλεσμα κίνδυνο σύνθλιψης ή εμπλοκής.
10. Μην μεταφέρετε το εργαλείο από τη διάταξη σύνδεσης ή τον αναδέτη.
11. Να μεταφέρετε το εργαλείο μεταξύ των χεριών σας μόνο ενώ είστε καλά ισοροπημένοι.
12. Μην συνδέετε αναδέτες στο εργαλείο με τρόπο που εμποδίζει τη σωστή λειτουργία των προστατευτικών, διακοπών ή απαφαισίων.
13. Αποφεύγετε την εμπλοκή με τον αναδέτη.
14. Κρατήστε τον αναδέτη μακριά από την περιοχή κοπής του εργαλείου.
15. Να χρησιμοποιείτε καραμπινέρ τύπου πολλών δράσεων και καραμπινέρ βιδωτού κλεισίματος. Μην χρησιμοποιείτε καραμπινέρ με ελατηριωτά κλιπ μίας δράσης.
16. Στην περίπτωση που το εργαλείο πέσει, πρέπει να επισημανθεί και να μην χρησιμοποιηθεί ξανά, και να επιθεωρηθεί από εργοστάσιο ή εξουσιοδοτημένο κέντρο σέρβις της Makita.

► **Εικ.34:** 1. Οπή για αναδέτη (ιμάντα πρόσδεσης)

## ΛΕΙΤΟΥΡΓΙΑ ΑΣΥΡΜΑΤΗΣ ΕΝΕΡΓΟΠΟΙΗΣΗΣ

Για **DHS783** μόνο

### Τι μπορείτε να κάνετε με τη λειτουργία ασύρματης ενεργοποίησης

Η λειτουργία ασύρματης ενεργοποίησης επιτρέπει την καθαρή και άνετη λειτουργία. Αν συνδέσετε μια υποστηριζόμενη ηλεκτρική σκούπα στο εργαλείο, μπορείτε να χρησιμοποιείτε την ηλεκτρική σκούπα αυτόματα μαζί με τη λειτουργία διακόπτη του εργαλείου.

► **Εικ.35**

Για να χρησιμοποιήσετε τη λειτουργία ασύρματης ενεργοποίησης, προετοιμάστε τα ακόλουθα στοιχεία:

- Μια ασύρματη μονάδα (προαιρετικό εξάρτημα)
- Ηλεκτρική σκούπα που υποστηρίζει τη λειτουργία ασύρματης ενεργοποίησης

Η σύνοψη της ρύθμισης λειτουργίας ασύρματης ενεργοποίησης είναι η εξής. Ανατρέξτε σε κάθε τμήμα για λεπτομερείς διαδικασίες.

1. Εγκατάσταση της ασύρματης μονάδας
2. Καταχώρηση εργαλείου για την ηλεκτρική σκούπα
3. Έναρξη της λειτουργίας ασύρματης ενεργοποίησης

## Εγκατάσταση της ασύρματης μονάδας

### Προαιρετικό εξάρτημα

**▲ ΠΡΟΣΟΧΗ:** Τοποθετήστε το εργαλείο σε μια επίπεδη και σταθερή επιφάνεια όταν εγκαθιστάτε την ασύρματη μονάδα.

**ΕΙΔΟΠΟΙΗΣΗ:** Καθαρίστε τη σκόνη και τη βρομιά στο εργαλείο πριν τοποθετήσετε την ασύρματη μονάδα. Η σκόνη ή η βρομιά μπορεί να προκαλέσει δυσλειτουργία αν έρθει σε επαφή με τη σχισμή της ασύρματης μονάδας.

**ΕΙΔΟΠΟΙΗΣΗ:** Για να αποτρέψετε τη δυσλειτουργία που προκαλείται από στατικό ηλεκτρισμό, αγγίξτε κάποιο υλικό στατικής εκκένωσης, όπως ένα μεταλλικό εξάρτημα του εργαλείου, πριν σηκώσετε την ασύρματη μονάδα.

**ΕΙΔΟΠΟΙΗΣΗ:** Όταν τοποθετείτε την ασύρματη μονάδα, να βεβαιώνετε πάντα ότι η ασύρματη μονάδα έχει εισαχθεί με τη σωστή κατεύθυνση και το καπάκι είναι εντελώς κλειστό.

1. Ανοίξτε το καπάκι στο εργαλείο όπως απεικονίζεται στην εικόνα.

► **Εικ.36:** 1. Καπάκι

2. Εισαγάγετε την ασύρματη μονάδα στη σχισμή και μετά κλείστε το καπάκι.

Όταν εισαγάγετε την ασύρματη μονάδα, ευθυγραμμίστε τις προεξοχές με τα βαθουλωτά τμήματα στη σχισμή.

► **Εικ.37:** 1. Ασύρματη μονάδα 2. Προεξοχή 3. Καπάκι 4. Βαθουλωτό τμήμα

Όταν αφαιρέτε την ασύρματη μονάδα, ανοίξτε το καπάκι αργά. Οι γάντζοι στο πίσω μέρος του καπακιού θα σηκώσουν την ασύρματη μονάδα καθώς τραβάτε το καπάκι προς τα πάνω.

► **Εικ.38:** 1. Ασύρματη μονάδα 2. Γάντζος 3. Καπάκι

Αφού αφαιρέσετε την ασύρματη μονάδα, να τη διατηρείτε μέσα στην παρεχόμενη θήκη ή μέσα σε δοχείο χωρίς στατικό ηλεκτρισμό.

**ΕΙΔΟΠΟΙΗΣΗ:** Να χρησιμοποιείτε πάντα τους γάντζους στο πίσω μέρος του καπακιού όταν αφαιρέτε την ασύρματη μονάδα. Αν οι γάντζοι δεν ασφαλίσουν την ασύρματη μονάδα, κλείστε εντελώς το καπάκι και ανοίξτε το ξανά αργά.

## Καταχώρηση εργαλείου για την ηλεκτρική σκούπα

**ΠΑΡΑΤΗΡΗΣΗ:** Για την καταχώρηση εργαλείου, απαιτείται ηλεκτρική σκούπα Makita που υποστηρίζει τη λειτουργία ασύρματης ενεργοποίησης.

**ΠΑΡΑΤΗΡΗΣΗ:** Ολοκληρώστε την εγκατάσταση της ασύρματης μονάδας στο εργαλείο πριν ξεκινήσετε την καταχώρηση εργαλείου.

**ΠΑΡΑΤΗΡΗΣΗ:** Κατά την καταχώρηση εργαλείου, μην τραβήξετε τη σκανδάλη διακόπτη ούτε να ενεργοποιήσετε το διακόπτη λειτουργίας στην ηλεκτρική σκούπα.

**ΠΑΡΑΤΗΡΗΣΗ:** Ανατρέξτε και στο εγχειρίδιο οδηγιών της ηλεκτρικής σκούπας.

Αν επιθυμείτε να ενεργοποιήσετε την ηλεκτρική σκούπα μαζί με τη λειτουργία διακόπτη του εργαλείου, ολοκληρώστε εκ των προτέρων την καταχώρηση εργαλείου.

1. Τοποθετήστε τις μπαταρίες στην ηλεκτρική σκούπα και στο εργαλείο.
2. Θέστε τον διακόπτη αναμονής στην ηλεκτρική σκούπα στη θέση «ΑΥΤΟ».  
► **Εικ.39:** 1. Διακόπτης αναμονής
3. Πατήστε το κουμπί ασύρματης ενεργοποίησης στην ηλεκτρική σκούπα για 3 δευτερόλεπτα μέχρι η λυχνία ασύρματης ενεργοποίησης αναβοσβήνει με πράσινο χρώμα. Και μετά πατήστε το κουμπί ασύρματης ενεργοποίησης στο εργαλείο με τον ίδιο τρόπο.  
► **Εικ.40:** 1. Κουμπί ασύρματης ενεργοποίησης  
2. Λυχνία ασύρματης ενεργοποίησης

Αν η ηλεκτρική σκούπα και το εργαλείο συνδεθούν με επιτυχία, οι λυχνίες ασύρματης ενεργοποίησης θα ανάψουν με πράσινο χρώμα για 2 δευτερόλεπτα και θα αρχίσουν να αναβοσβήνουν με μπλε χρώμα.

**ΠΑΡΑΤΗΡΗΣΗ:** Οι λυχνίες ασύρματης ενεργοποίησης θα αρχίσουν να αναβοσβήνουν με πράσινο χρώμα αφού περάσουν 20 δευτερόλεπτα. Πατήστε το κουμπί ασύρματης ενεργοποίησης στο εργαλείο ενώ η λυχνία ασύρματης ενεργοποίησης αναβοσβήνει στη σκούπα. Αν η λυχνία ασύρματης ενεργοποίησης δεν αναβοσβήνει με πράσινο χρώμα, πατήστε για λίγο το κουμπί ασύρματης ενεργοποίησης και κρατήστε το ξανά πατημένο.

**ΠΑΡΑΤΗΡΗΣΗ:** Όταν εκτελείτε δύο ή περισσότερες καταχωρήσεις εργαλείων για μία ηλεκτρική σκούπα, ολοκληρώστε την καταχώρηση εργαλείου ένα τη φορά.

## Έναρξη της λειτουργίας ασύρματης ενεργοποίησης

**ΠΑΡΑΤΗΡΗΣΗ:** Ολοκληρώστε την καταχώρηση εργαλείου για την ηλεκτρική σκούπα πριν από την ασύρματη ενεργοποίηση.

**ΠΑΡΑΤΗΡΗΣΗ:** Ανατρέξτε και στο εγχειρίδιο οδηγιών της ηλεκτρικής σκούπας.

Αφού καταχωρήσετε ένα εργαλείο με την ηλεκτρική σκούπα, η ηλεκτρική σκούπα θα λειτουργεί αυτόματα μαζί με τη λειτουργία διακόπτη του εργαλείου.

1. Εγκαταστήστε την ασύρματη μονάδα στο εργαλείο.
2. Συνδέστε τον εύκαμπτο σωλήνα της ηλεκτρικής σκούπας με το εργαλείο.  
► **Εικ.41**
3. Θέστε τον διακόπτη αναμονής στην ηλεκτρική σκούπα στη θέση «ΑΥΤΟ».  
► **Εικ.42:** 1. Διακόπτης αναμονής
4. Πατήστε σύντομα το κουμπί ασύρματης ενεργοποίησης στο εργαλείο. Η λυχνία ασύρματης ενεργοποίησης θα αναβοσβήνει με μπλε χρώμα.  
► **Εικ.43:** 1. Κουμπί ασύρματης ενεργοποίησης  
2. Λυχνία ασύρματης ενεργοποίησης

5. Τραβήξτε τη σκανδάλη διακόπτη του εργαλείου. Ελέγξτε αν η ηλεκτρική σκούπα λειτουργεί όσο τραβάτε τη σκανδάλη διακόπτη.

Για να σταματήσετε την ασύρματη ενεργοποίηση της ηλεκτρικής σκούπας, πατήστε το κουμπί ασύρματης ενεργοποίησης στο εργαλείο.

**ΠΑΡΑΤΗΡΗΣΗ:** Η λυχνία ασύρματης ενεργοποίησης στο εργαλείο θα σταματήσει να αναβοσβήνει με μπλε χρώμα όταν δεν υπάρχει λειτουργία για 2 ώρες. Σε αυτή την περίπτωση, θέστε το διακόπτη αναμονής στην ηλεκτρική σκούπα στη θέση «ΑΥΤΟ» και πατήστε ξανά το κουμπί ασύρματης ενεργοποίησης στο εργαλείο.

**ΠΑΡΑΤΗΡΗΣΗ:** Η ηλεκτρική σκούπα αρχίζει/σταματάει με καθυστέρηση. Υπάρχει χρονική καθυστέρηση όταν η ηλεκτρική σκούπα ανιχνεύει τη λειτουργία διακόπτη του εργαλείου.

**ΠΑΡΑΤΗΡΗΣΗ:** Η απόσταση μετάδοσης της ασύρματης μονάδας μπορεί να ποικίλλει ανάλογα με την τοποθεσία και τις περιβάλλουσες συνθήκες.

**ΠΑΡΑΤΗΡΗΣΗ:** Όταν δύο ή περισσότερα εργαλεία καταχωρούνται σε μία ηλεκτρική σκούπα, η ηλεκτρική σκούπα μπορεί να αρχίσει να λειτουργεί ακόμη κι αν δεν τραβήξετε τη σκανδάλη διακόπτη επειδή κάποιος άλλος χρήστης χρησιμοποιεί τη λειτουργία ασύρματης ενεργοποίησης.

## Περιγραφή της κατάστασης της λυχνίας ασύρματης ενεργοποίησης

### ► Εικ.44: 1. Λυχνία ασύρματης ενεργοποίησης

Η λυχνία ασύρματης ενεργοποίησης δείχνει την κατάσταση της λειτουργίας ασύρματης ενεργοποίησης. Ανατρέξτε στον παρακάτω πίνακα για τη σημασία της κατάστασης λυχνίας.

Κατάσταση	Λυχνία ασύρματης ενεργοποίησης			Περιγραφή	
	Χρώμα	<input type="checkbox"/> Αναμμένη	<input type="checkbox"/> Αναβοσβήνει		Διάρκεια
Αναμονή	Μπλε	<input checked="" type="checkbox"/>		2 ώρες	Η ασύρματη ενεργοποίηση της ηλεκτρικής σκούπας είναι διαθέσιμη. Η λυχνία θα σβήσει αυτόματα όταν δεν εκτελεστεί καμία λειτουργία για 2 ώρες.
		<input type="checkbox"/>		Όταν το εργαλείο λειτουργεί.	Η ασύρματη ενεργοποίηση της ηλεκτρικής σκούπας είναι διαθέσιμη και το εργαλείο λειτουργεί.
Καταχώρηση εργαλείου	Πράσινη	<input checked="" type="checkbox"/>		20 δευτερόλεπτα	Έτοιμο για καταχώρηση εργαλείου. Σε αναμονή για καταχώρηση από την ηλεκτρική σκούπα.
		<input type="checkbox"/>		2 δευτερόλεπτα	Η καταχώρηση εργαλείου έχει ολοκληρωθεί. Η λυχνία ασύρματης ενεργοποίησης θα αρχίσει να αναβοσβήνει με μπλε χρώμα.
Ακύρωση καταχώρησης εργαλείου	Κόκκινη	<input checked="" type="checkbox"/>		20 δευτερόλεπτα	Έτοιμο για ακύρωση της καταχώρησης εργαλείου. Σε αναμονή για ακύρωση από την ηλεκτρική σκούπα.
		<input type="checkbox"/>		2 δευτερόλεπτα	Η ακύρωση της καταχώρησης εργαλείου έχει ολοκληρωθεί. Η λυχνία ασύρματης ενεργοποίησης θα αρχίσει να αναβοσβήνει με μπλε χρώμα.
Άλλες	Κόκκινη	<input type="checkbox"/>		3 δευτερόλεπτα	Η ισχύς παρέχεται στην ασύρματη μονάδα και η λειτουργία ασύρματης ενεργοποίησης εκκινείται.
	Σβηστή	-		-	Η ασύρματη ενεργοποίηση της ηλεκτρικής σκούπας έχει σταματήσει.

## Ακύρωση καταχώρησης εργαλείου για την ηλεκτρική σκούπα

Εκτελέστε την ακόλουθη διαδικασία όταν ακυρώνετε την καταχώρηση εργαλείου για την ηλεκτρική σκούπα.

1. Τοποθετήστε τις μπαταρίες στην ηλεκτρική σκούπα και στο εργαλείο.
2. Θέστε τον διακόπτη αναμονής στην ηλεκτρική σκούπα στη θέση «ΑΥΤΟ».

### ► Εικ.45: 1. Διακόπτης αναμονής

3. Πατήστε το κουμπί ασύρματης ενεργοποίησης στην ηλεκτρική σκούπα για 6 δευτερόλεπτα. Η λυχνία ασύρματης ενεργοποίησης αναβοσβήνει με πράσινο χρώμα και μετά γίνεται κόκκινη. Μετά από αυτό, πατήστε το κουμπί ασύρματης ενεργοποίησης στο εργαλείο με τον ίδιο τρόπο.

- Εικ.46: 1. Κουμπί ασύρματης ενεργοποίησης
2. Λυχνία ασύρματης ενεργοποίησης

Αν η ακύρωση εκτελεστεί με επιτυχία, οι λυχνίες ασύρματης ενεργοποίησης θα ανάψουν με κόκκινο χρώμα για 2 δευτερόλεπτα και θα αρχίσουν να αναβοσβήνουν με μπλε χρώμα.

**ΠΑΡΑΤΗΡΗΣΗ:** Οι λυχνίες ασύρματης ενεργοποίησης θα αρχίσουν να αναβοσβήνουν με κόκκινο χρώμα αφού περάσουν 20 δευτερόλεπτα. Πατήστε το κουμπί ασύρματης ενεργοποίησης στο εργαλείο ενώ η λυχνία ασύρματης ενεργοποίησης αναβοσβήνει στη σκούπα. Αν η λυχνία ασύρματης ενεργοποίησης δεν αναβοσβήνει με κόκκινο χρώμα, πατήστε για λίγο το κουμπί ασύρματης ενεργοποίησης και κρατήστε το ξανά πατημένο.

## Αντιμετώπιση προβλημάτων για τη λειτουργία ασύρματης ενεργοποίησης

Πριν ζητήσετε επισκευές, εκτελέστε αρχικά τη δική σας επιθεώρηση. Αν εντοπίσετε πρόβλημα που δεν επεξηγείται στο εγχειρίδιο, μην επιχειρήσετε να αποσυναρμολογήσετε το εργαλείο. Αντ' αυτού, ζητήστε βοήθεια από εξουσιοδοτημένα κέντρα εξυπηρέτησης της Makita και πάντοτε να χρησιμοποιείτε γνήσια ανταλλακτικά της Makita.

Κατάσταση προβλήματος	Πιθανή αιτία (δυσλειτουργία)	Αποκατάσταση
Η λυχνία ασύρματης ενεργοποίησης δεν ανάβει/αναβοσβήνει.	Η ασύρματη μονάδα δεν είναι εγκατεστημένη στο εργαλείο. Η ασύρματη μονάδα είναι εγκατεστημένη στο εργαλείο λανθασμένα.	Τοποθετήστε σωστά την ασύρματη μονάδα.
	Ο ακροδέκτης της ασύρματης μονάδας ή/και η σχισμή είναι βρόμικα.	Σκουπίστε απαλά τη σκόνη και τη βρομιά από τον ακροδέκτη της ασύρματης μονάδας και καθαρίστε τη σχισμή.
	Το κουμπί ασύρματης ενεργοποίησης στο εργαλείο δεν έχει πατηθεί.	Πατήστε σύντομα το κουμπί ασύρματης ενεργοποίησης στο εργαλείο.
	Ο διακόπτης αναμονής στην ηλεκτρική σκούπα δεν έχει τεθεί στη θέση «ΑΥΤΟ».	Θέστε τον διακόπτη αναμονής στην ηλεκτρική σκούπα στη θέση «ΑΥΤΟ».
	Δεν υπάρχει παροχή ρεύματος	Παρέχετε ισχύ στο εργαλείο και την ηλεκτρική σκούπα.
Δεν είναι δυνατή η ολοκλήρωση της καταχώρησης εργαλείου / ακύρωσης καταχώρησης εργαλείου με επιτυχία.	Η ασύρματη μονάδα δεν είναι εγκατεστημένη στο εργαλείο. Η ασύρματη μονάδα είναι εγκατεστημένη στο εργαλείο λανθασμένα.	Τοποθετήστε σωστά την ασύρματη μονάδα.
	Ο ακροδέκτης της ασύρματης μονάδας ή/και η σχισμή είναι βρόμικα.	Σκουπίστε απαλά τη σκόνη και τη βρομιά από τον ακροδέκτη της ασύρματης μονάδας και καθαρίστε τη σχισμή.
	Ο διακόπτης αναμονής στην ηλεκτρική σκούπα δεν έχει τεθεί στη θέση «ΑΥΤΟ».	Θέστε τον διακόπτη αναμονής στην ηλεκτρική σκούπα στη θέση «ΑΥΤΟ».
	Δεν υπάρχει παροχή ρεύματος	Παρέχετε ισχύ στο εργαλείο και την ηλεκτρική σκούπα.
	Λανθασμένη λειτουργία	Πατήστε σύντομα το κουμπί ασύρματης ενεργοποίησης και πραγματοποιήστε ξανά τις διαδικασίες καταχώρησης/ακύρωσης εργαλείου.
	Το εργαλείο και η ηλεκτρική σκούπα βρίσκονται σε αρκετή απόσταση μεταξύ τους (εκτός του εύρους μετάδοσης).	Φέρετε το εργαλείο και την ηλεκτρική σκούπα πιο κοντά. Η μέγιστη απόσταση μετάδοσης είναι περίπου 10 μέτρα, ωστόσο, μπορεί να διαφέρει ανάλογα με τις συνθήκες.
	Πριν ολοκληρώσετε την καταχώρηση/ακύρωση εργαλείου, - τραβήξτε τη σκανδάλη διακόπτη στο εργαλείο, ή - ενεργοποιήσετε το κουμπί λειτουργίας στην ηλεκτρική σκούπα.	Πατήστε σύντομα το κουμπί ασύρματης ενεργοποίησης και πραγματοποιήστε ξανά τις διαδικασίες καταχώρησης/ακύρωσης εργαλείου.
	Δεν έχουν ολοκληρωθεί οι διαδικασίες καταχώρησης εργαλείων για το εργαλείο ή την ηλεκτρική σκούπα.	Εκτελέστε τις διαδικασίες καταχώρησης εργαλείου για το εργαλείο και την ηλεκτρική σκούπα ταυτόχρονα.
	Ραδιοφωνικά παράσιτα από άλλες συσκευές που παράγουν ραδιοκύματα υψηλής έντασης.	Διατηρήστε το εργαλείο και την ηλεκτρική σκούπα μακριά από τις συσκευές, όπως συσκευές Wi-Fi και φούρνους μικροκυμάτων.

Κατάσταση προβλήματος	Πιθανή αιτία (δυσλειτουργία)	Αποκατάσταση
Η ηλεκτρική σκούπα δεν λειτουργεί μαζί με τη λειτουργία διακόπτη του εργαλείου.	Η ασύρματη μονάδα δεν είναι εγκατεστημένη στο εργαλείο. Η ασύρματη μονάδα είναι εγκατεστημένη στο εργαλείο λανθασμένα.	Τοποθετήστε σωστά την ασύρματη μονάδα.
	Ο ακροδέκτης της ασύρματης μονάδας ή/και η σχισμή είναι βρόμικα.	Σκουπίστε απαλά τη σκόνη και τη βρομιά από τον ακροδέκτη της ασύρματης μονάδας και καθαρίστε τη σχισμή.
	Το κουμπί ασύρματης ενεργοποίησης στο εργαλείο δεν έχει πατηθεί.	Πατήστε για λίγο το κουμπί ασύρματης ενεργοποίησης και βεβαιωθείτε ότι η λυχνία ασύρματης ενεργοποίησης αναβοσβήνει με μπλε χρώμα.
	Ο διακόπτης αναμονής στην ηλεκτρική σκούπα δεν έχει τεθεί στη θέση «AUTO».	Θέστε τον διακόπτη αναμονής στην ηλεκτρική σκούπα στη θέση «AUTO».
	Περισσότερα από 10 εργαλεία έχουν καταχωρηθεί με την ηλεκτρική σκούπα.	Πραγματοποιήστε ξανά την καταχώρηση εργαλείου. Αν περισσότερα από 10 εργαλεία είναι καταχωρημένα στην ηλεκτρική σκούπα, το εργαλείο που είχε καταχωρηθεί πιο νωρίς θα ακυρωθεί αυτόματα.
	Η ηλεκτρική σκούπα έσβησε όλες τις καταχωρήσεις εργαλείων.	Πραγματοποιήστε ξανά την καταχώρηση εργαλείου.
	Δεν υπάρχει παροχή ρεύματος	Παρέχετε ισχύ στο εργαλείο και την ηλεκτρική σκούπα.
	Το εργαλείο και η ηλεκτρική σκούπα βρίσκονται σε αρκετή απόσταση μεταξύ τους (εκτός του εύρους μετάδοσης).	Φέρετε το εργαλείο και την ηλεκτρική σκούπα πιο κοντά. Η μέγιστη απόσταση μετάδοσης είναι περίπου 10 μέτρα, ωστόσο, μπορεί να διαφέρει ανάλογα με τις συνθήκες.
	Ραδιοφωνικά παράσιτα από άλλες συσκευές που παράγουν ραδιοκύματα υψηλής έντασης.	Διατηρήστε το εργαλείο και την ηλεκτρική σκούπα μακριά από τις συσκευές, όπως συσκευές Wi-Fi και φούρνους μικροκυμάτων.
Η ηλεκτρική σκούπα λειτουργεί ενώ δεν τραβάτε τη σκανδάλη διακόπτη του εργαλείου.	Άλλοι χρήστες χρησιμοποιούν την ασύρματη ενεργοποίηση της ηλεκτρικής σκούπας με τα εργαλεία τους.	Κλείστε το κουμπί ασύρματης ενεργοποίησης των άλλων εργαλείων ή ακυρώστε την καταχώρηση εργαλείου των άλλων εργαλείων.

## ΣΥΝΤΗΡΗΣΗ

**▲ ΠΡΟΣΟΧΗ:** Πριν την εκτέλεση εργασιών επιθεώρησης ή συντήρησης, πάντοτε να βεβαιώνεστε ότι η συσκευή απενεργοποιήθηκε και η κασέτα μπαταριών έχει αφαιρεθεί.

**▲ ΠΡΟΣΟΧΗ:** Καθαρίστε τον άνω και κάτω προφυλακτήρα για να βεβαιωθείτε ότι δεν υπάρχουν συσσωρευμένα πριονίδια, τα οποία μπορεί να εμποδίσουν τη λειτουργία του συστήματος κάτω προφυλακτήρα. Ένα βρόμικο σύστημα προφυλακτών μπορεί να περιορίσει τη σωστή λειτουργία, γεγονός που μπορεί να έχει ως αποτέλεσμα σοβαρό προσωπικό τραυματισμό. Ο πιο αποτελεσματικός τρόπος για να επιτευχθεί αυτός ο καθαρισμός είναι με πεπιεσμένο αέρα. **Αν η σκόνη φυσείται εκτός των προφυλακτών, φροντίστε να χρησιμοποιήσετε κατάλληλη προστασία για τα μάτια και το αναπνευστικό σύστημα.**

**▲ ΠΡΟΣΟΧΗ:** Μετά από κάθε λειτουργία, σκουπίστε τα πριονίδια από το εργαλείο. Μπορεί να εισχωρήσει λεπτό πριονίδι στο εσωτερικό του εργαλείου και να προκληθεί δυσλειτουργία ή πυρκαγιά.

**ΕΙΔΟΠΟΙΗΣΗ:** Μην χρησιμοποιείτε ποτέ βενζίνη, πετρελαϊκό αιθέρα, διαλυτικό, αλκοόλη ή παρόμοιες ουσίες. Μπορεί να προκληθεί αποχρωματισμός, παραμόρφωση ή ρωγμές.

Για τη διατήρηση της ΑΣΦΑΛΕΙΑΣ και ΑΞΙΟΠΙΣΤΙΑΣ του προϊόντος, οι επισκευές και οποιαδήποτε άλλη εργασία συντήρησης ή ρύθμισης πρέπει να εκτελούνται από εξουσιοδοτημένα ή εργοστασιακά κέντρα εξυπηρέτησης της Makita, χρησιμοποιώντας πάντοτε ανταλλακτικά της Makita.

### Ρύθμιση ακρίβειας κοπής 0° ή κοπής 45°

Αυτή η ρύθμιση έχει γίνει στο εργοστάσιο. Αλλά αν δεν είναι ρυθμισμένη, μπορείτε να τη ρυθμίσετε με την ακόλουθη διαδικασία.

1. Χαλαρώστε τις βίδες σύσφιξης στο μπροστινό και πίσω μέρος του εργαλείου για να μπορείτε να αλλάξετε την κωνική γωνία. Θέστε τον αναστολέα στη θέση 0° έως 45° κωνικής γωνίας αν πρόκειται να ρυθμίσετε ακρίβεια κοπής 45°.

► **Εικ.47:** 1. Αναστολέας

2. Κάντε τη βάση κάθετη ή 45° ως προς τη λάμα δισκοπριονίου χρησιμοποιώντας τριγωνικό κανόνα και περιστρέφοντας τη βίδα ρύθμισης με ένα εξαγωνικό κλειδί. Μπορείτε επίσης να χρησιμοποιήσετε έναν τετράγωνο κανόνα για να ρυθμίσετε γωνία 0°.

► **Εικ.48:** 1. Τριγωνικός κανόνας

► **Εικ.49:** 1. Βίδα ρύθμισης για γωνία 0° 2. Βίδα ρύθμισης για γωνία 45°

3. Σφίξτε τις βίδες σύσφιξης και μετά δοκιμάστε μια κοπή για να ελέγξετε αν λήφθηκε η επιθυμητή γωνία.

## Ρύθμιση παραλληλότητας

**▲ΠΡΟΣΟΧΗ:** Διατηρήστε την παραλληλότητα ακριβή. Διαφορετικά, η λάμα δισκοπρίονου μπορεί να πιαστεί στη ράγα οδήγησης και η κατεστραμμένη ράγα οδήγησης μπορεί να προκαλέσει τραυματισμό.

Αυτή η ρύθμιση έχει γίνει στο εργοστάσιο. Αλλά αν δεν είναι ρυθμισμένη, μπορείτε να τη ρυθμίσετε με την ακόλουθη διαδικασία.

1. Ρυθμίστε το εργαλείο στο μέγιστο βάθος κοπής.
2. Βεβαιωθείτε ότι όλοι οι μοχλοί και οι βίδες είναι σφιγμένοι.
3. Χαλαρώστε τις βίδες που απεικονίζονται στην εικόνα.
4. Ενώ ανοίγετε το κάτω προφυλακτήρα, μετακινήστε το πίσω μέρος της βάσης ώστε οι αποστάσεις A και B να είναι ίσες.

► **Εικ.50:** 1. Βίδα 2. Βάση

5. Σφίξτε τις βίδες και δοκιμάστε μια κοπή για να ελέγξετε την παραλληλότητα.

## ΠΡΟΑΙΡΕΤΙΚΑ ΕΞΑΡΤΗΜΑΤΑ

**▲ΠΡΟΣΟΧΗ:** Αυτά τα εξαρτήματα ή προσαρτήματα συνιστώνται για χρήση με το εργαλείο Makita που περιγράφηκε στις οδηγίες αυτές. Η χρήση οποιωνδήποτε άλλων εξαρτημάτων ή προσαρτημάτων μπορεί να προκαλέσει κίνδυνο τραυματισμού σε άτομα. Να χρησιμοποιείτε τα εξαρτήματα ή προσαρτήματα μόνο για την χρήση που προορίζονται.

Εάν χρειάζεστε οποιαδήποτε βοήθεια για περισσότερες πληροφορίες σε σχέση με αυτά τα εξαρτήματα, αποτανθείτε στο τοπικό σας κέντρο εξυπηρέτησης Makita.

- Λάμα δισκοπρίονου
- Οδηγός κομματιού (Οδηγός χάρακας)
- Γάντζος
- Ράγα οδήγησης
- Κωνικός οδηγός
- Σφιγκτήρας
- Φύλλο
- Ελαστικό φύλλο
- Φύλλο τοποθέτησης
- Ακροφύσιο σκόνης
- Εξαγωνικό κλειδί
- Ασύρματη μονάδα (για DHS783)
- Γνήσια μπαταρία και φορτιστής της Makita

**ΠΑΡΑΤΗΡΗΣΗ:** Μερικά στοιχεία στη λίστα μπορεί να συμπεριλαμβάνονται στη συσκευασία εργαλείου ως στάνταρ εξαρτήματα. Μπορεί να διαφέρουν ανάλογα με τη χώρα.

## TÜRKÇE (Orijinal talimatlar)

### TEKNİK ÖZELLİKLER

Model:	DHS782	DHS783
Bıçak çapı	185 - 190 mm	
Maks. kesim derinliği	0°'de	60,0 - 62,5 mm
	45° eğimde	43,0 - 44,5 mm
	48° eğimde	41,0 - 42,0 mm
Yüksüz hız	6.000 min <sup>-1</sup>	
Toplam uzunluk	348 mm	
Anma voltajı	D.C. 36 V	
Net ağırlık	4,5 - 5,1 kg	

- Süreklili yapılan araştırma ve geliştirmelerden dolayı, burada belirtilen özellikler önceden bildirilmeksizin değiştirilebilir.
- Özellikler ve batarya kartuşu ülkeden ülkeye değişebilir.
- Ağırlık, ekli aksesuar/aksesuarlara ve batarya kartuşuna bağlı olarak farklılık gösterebilir. EPTA-Prosedürü 01/2014'e göre en hafif ve en ağır kombinasyonlar tabloda verilmiştir.

#### Geçerli batarya kartuşu ve şarj aleti

Batarya kartuşu	BL1815N / BL1820 / BL1820B / BL1830 / BL1830B / BL1840 / BL1840B / BL1850 / BL1850B / BL1860B
Şarj aleti	DC18RC / DC18RD / DC18RE / DC18SD / DC18SE / DC18SF

- Yukarıda listelenen batarya kartuşlarının ve şarj aletlerinin bazıları yaşadığınız bölgeye bağlı olarak mevcut olmayabilir.

**UYARI:** Sadece yukarıda listelenen batarya kartuşlarını ve şarj aletlerini kullanın. Başka batarya kartuşlarının ve şarj aletlerinin kullanılması yaralanma ve/veya yangına neden olabilir.

#### Kullanım amacı

Bu alet, iş parçasına sıkı bir şekilde temas ederek tahta üzerinde boylamasına ve çaprazlamasına düz kesimler ve gönnye kesme yapmak için tasarlanmıştır. Uygun orijinal Makita sunta kesme bıçaklarıyla diğer malzemelerde kesilebilir.

#### Gürültü

Tipik A-ağırlıklı gürültü düzeyi (EN62841-2-5 standardına göre belirlenen):

##### Model DHS782

Ses basınç seviyesi (L<sub>PA</sub>): 93 dB (A)

Ses gücü düzeyi (L<sub>WA</sub>): 104 dB (A)

Belirsizlik (K): 3 dB (A)

##### Model DHS783

Ses basınç seviyesi (L<sub>PA</sub>): 93 dB (A)

Ses gücü düzeyi (L<sub>WA</sub>): 104 dB (A)

Belirsizlik (K): 3 dB (A)

**NOT:** Beyan edilen gürültü emisyonu değer(ler)i bir standart test yöntemine uygun şekilde ölçülmüştür ve bir aleti bir başkasıyla karşılaştırmak için kullanılabilir.

**NOT:** Beyan edilen gürültü emisyonu değer(ler)i bir ön maruz kalma değerlendirmesi olarak da kullanılabilir.

**UYARI:** Kulak koruyucuları takın.

**UYARI:** Elektrikli aletin gerçek kullanımı sırasındaki gürültü emisyonu, aletin kullanım biçimlerine, özellikle işlenen iş parçasının türüne bağlı olarak beyan edilen değer(ler)den farklı olabilir.

**UYARI:** Gerçek kullanım koşullarındaki tahmini maruziyeti baz alan, operatörü koruyacak güvenlik önlemlerini mutlaka belirleyin (çalışma döngüsü içerisinde aletin kapalı olduğu ve aktif durumda olmasının yanı sıra boşta çalıştığı zamanlar gibi, bütün zaman dilimleri göz önünde bulundurarak).

#### Titreşim

Titreşim toplam değeri (üç eksenli vektör toplamı) (EN62841-2-5 standardına göre hesaplanan):

##### Model DHS782

Çalışma modu: ahşap kesme

Titreşim emisyonu (a<sub>h,W</sub>): 2,5 m/s<sup>2</sup>den az

Belirsizlik (K) : 1,5 m/s<sup>2</sup>

Çalışma modu: metal kesme

Titreşim emisyonu (a<sub>h,M</sub>): 2,5 m/s<sup>2</sup>den az

Belirsizlik (K) : 1,5 m/s<sup>2</sup>

##### Model DHS783

Çalışma modu: ahşap kesme

Titreşim emisyonu (a<sub>h,W</sub>): 2,5 m/s<sup>2</sup>den az

Belirsizlik (K) : 1,5 m/s<sup>2</sup>

Çalışma modu: metal kesme

Titreşim emisyonu (a<sub>h,M</sub>): 2,5 m/s<sup>2</sup>den az

Belirsizlik (K) : 1,5 m/s<sup>2</sup>

**NOT:** Beyan edilen titreşim toplam değer(ler)i bir standart test yöntemine uygun şekilde ölçülmüştür ve bir aleti bir başkasıyla karşılaştırmak için kullanılabilir.

**NOT:** Beyan edilen titreşim toplam değer(ler)i bir ön maruz kalma değerlendirmesi olarak da kullanılabilir.

**UYARI:** Elektrikli aletin gerçek kullanımı sırasındaki titreşim emisyonu, aletin kullanım biçimlerine, özellikle işlenen iş parçasının türüne bağlı olarak beyan edilen değer(ler)den farklı olabilir.

**UYARI:** Gerçek kullanım koşullarındaki tahmini maruziyeti baz alan, operatörü koruyacak güvenlik önlemlerini mutlaka belirleyin (çalışma döngüsü içerisinde aletin kapalı olduğu ve aktif durumda olmasının yanı sıra boşta çalıştığı zamanlar gibi, bütün zaman dilimleri göz önünde bulundurun).

## EC Uygunluk Beyanı

*Sadece Avrupa ülkeleri için*

EC uygunluk beyanı bu kullanım kılavuzuna Ek A olarak eklenmiştir.

## GÜVENLİK UYARILARI

### Genel elektrikli alet güvenliği uyarıları

**UYARI:** Bu elektrikli aletle birlikte sunulan tüm güvenlik uyarılarını, talimatları, çizimleri ve teknik özellikleri okuyun. Aşağıda verilen talimatlara uyulmaması elektrik şoku, yangın ve/veya ciddi yaralanmalar ile sonuçlanabilir.

### Tüm uyarıları ve talimatları iletiride başvurmak için saklayın.

Uyarılardaki "elektrikli alet" terimi ile ya prizden çalışan (kordonlu) elektrikli aletiniz ya da kendi aküsü ile çalışan (kordonsuz) elektrikli aletiniz kastedilmektedir.

### Akülü sunta kesme güvenlik uyarıları

#### Kesim prosedürleri

- TEHLİKE:** Ellerinizi kesme alanından ve bıçaktan uzak tutun. Diğer elinizi yardımcı tutamak veya motor mahfazası üstünde tutun. Her iki el de testereyi tutarsa, bıçaklar tarafından kesilemez.
- İş parçasının altına uzanmayın.** Siper iş parçasının altında sizi bıçaktan koruyamaz.
- Kesme derinliğini iş parçasının kalınlığına göre ayarlayın.** İş parçasının altında bıçak dişlerinin bir tam dişinden daha azı görülmelidir.
- Kesim sırasında iş parçasını asla elinizle ya da bacaklarınızla tutmayın. İş parçasını sabit bir platforma oturtun.** Bedensel zarar gelmesini, bıçağın iş parçasına saplanıp kalmasını ya da kontrolün kaybedilmesini önlemek için yapılan işi uygun şekilde desteklemek oldukça önemlidir.

#### ► Şek.1

- Kesici parçanın görünmeyen kablolarla temas etme olasılığı bulunan yerlerde çalışırken elektrikli aleti yalıtımlı kavrama yüzeylerinden tutun.** "Akımlı" bir telle temas, elektrikli aletin yalıtımsız metal kısımlarını da "akımlı" hale getirir ve kullanıcıyı elektrik çarpmasına maruz bırakabilir.
- Bıçma yaparken daima bir bıçkı kenarlığı veya düz kenar kılavuzu kullanın.** Bu daha hassas bir kesim sağlar ve bıçağın sıkışması riskini azaltır.
- Her zaman doğru mil delik şekline (elmas ya da yuvarlak) ve boyutuna sahip bıçaklar kullanın.** Testerenin montaj donanımına uymayan bıçaklar eksenden çıkar ve kontrolün kaybedilmesine neden olur.
- Asla hasarlı ya da yanlış bıçak rondelalarını veya civatasını kullanmayın.** Bıçak rondelaları ve civatası testereniz için, optimum performans ve çalışma güvenliği sağlamak amacıyla özel olarak tasarlanmıştır.

#### Geri tepme nedenleri ve ilgili uyarılar

- geri tepme, sıkışan, takılan ya da yanlış hizalanan testere bıçağına karşı gösterilen ani bir tepkidir ve kontrol edilemeyen testerenin iş parçasından çıkıp operatöre doğru yukarı kalkmasına neden olur;
- kesik kapanarak bıçağın takılmasına ya da sıkışmasına neden olduğunda bıçak durur ve motorun tepkisi sonucu ünite hızlı bir şekilde kullanıcıya doğru geri teper;
- Eğer bıçak kesik içinde bükülür veya yanlış hizalanırsa, bıçağın arka kenarındaki dişler ahşabın üst yüzeyine batarak, kertik dışına tırmanıp, operatöre doğru geri zıplamasına neden olabilir.

Geri tepme testerenin yanlış kullanılması ve/veya yanlış kullanım usulleri veya koşullarının bir sonucudur ve aşağıda verildiği gibi doğru önlemlerle önlenir.

- Testereyi iki elinizle sıkıca kavramayı sürdürün ve kollarınızı geri tepme kuvvetlerine karşı koyacak bir konumda tutun. Vücudunuzu bıçak ile aynı hatta değil, bıçağın herhangi bir yanında tutun.** Geri tepme testerenin geriye sıçramasına neden olabilir ama geri tepme kuvvetleri, eğer uygun önlemler alınırsa, operatör tarafından kontrol edilebilir.
- Bıçak takıldığı veya herhangi bir nedenle kesmeyi durdurduğu zaman, tetiği serbest bırakın ve testereyi bıçak tamamen duruncaya kadar malzeme içinde hareketsiz olarak tutun. Bıçak hareket halindeyken asla testereyi işten çıkarmaya veya geriye çekmeye çalışmayın, aksi takdirde geri tepme meydana gelebilir.** Bıçağın takılma nedenini araştırıp, ortadan kaldırmak için düzeltici işlemleri yapın.
- Testereyi iş parçasının içinde yeniden başlatırken, testere bıçağını kesige ortalayarak testere dişlerinin malzemenin içine girmemiş olduğundan emin olun.** Testere bıçağı takılırsa, testere yeniden başlatıldığında yukarı kalkabilir ya da geri tepebilir.
- Bıçağın sıkışması ve geri tepmesi riskini en aza indirmek için büyük panelleri destekleyin.** Büyük paneller kendi ağırlıkları altında bel vermeye meyillidirler. Destekler, kesme hattına ve panelin kenarına yakın olarak, panelin her iki tarafının altına yerleştirilmelidirler.



► **Şek.2**

► **Şek.3**

5. **Kör veya hasarlı bıçakları kullanmayın.** Keskin olmayan veya yanlış ayarlanmış bıçaklar dar ker-tikler açarak, aşırı sürtünmeye, bıçak takılmasına ve geri tepmeye neden olurlar.
6. **Kesme yapmadan önce bıçak derinliği ve şev ayarı kilitleme levheleri sıkılı ve sabitlenmiş olmalıdır.** Eğer bıçak ayarı kesme sırasında kayarsa, takılmaya ve geri tepmeye neden olabilir.
7. **Mevcut duvarların veya diğer kör alanların içine biçme yaparken daha fazla dikkat gösterin.** Çıkıntı yapan bıçak geri tepmeye neden olabilececek cisimleri kesebilir.
8. **Aleti DAİMA her iki elinizle sıkıca tutun. Özellikle enine kesim yaparken elinizi, bacağınızı ve vücudunuzun hiçbir kısmını ASLA alet tabanının altına ya da testerenin arkasına koymayın.** Geri tepme olursa, testere kolayca geriye elinizin üstüne sıçrayarak ciddi yaralanmalara neden olabilir.

► **Şek.4**

9. **Testereyi asla zorlamayın. Testereyi bıçağın yavaşlamadan keseceği bir hızda ileri doğru itin.** Testereyi zorlamak düzgün olmayan kesmelere, hassaslık kaybına ve olası geri tepmeye neden olabilir.

**Siper işlevi**

1. **Her kullanımdan önce alt koruma parçasının doğru bir şekilde kapatılıp kapatılmadığını kontrol edin. Alt koruma parçası serbest bir şekilde hareket etmiyor ve anında kapanmıyorsa sunta kesme aletini kullanmayın. Alt koruma parçasını asla açık konumda kalacak şekilde sıkıştırmayın ve bağlamayın.** Sunta kesme aleti kazayla düşerse, alt koruma parçası bükülebilir. Alt koruma parçasını geri çekme kolu ile kaldırın ve tüm açılarda ve tüm kesme derinliklerinde serbest bir şekilde hareket ettiğinden, bıçağa ya da diğer parçalara temas etmediğinden emin olun.
2. **Alt koruma parçasına ait yayın işleyişini kontrol edin. Koruma parçası ve yay düzgün işlemiyorsa, kullanmadan önce tamir edilmelidir.** Hasarlı parçalar, yapışkan nitelikli artıklar ya da talaş birikmesi alt koruma parçasının yavaş çalışmasına neden olabilir.
3. **Sadece “dalmalı tip kesme” ya da “birleşik kesme” gibi özel kesimlerde alt koruma parçası elle geri çekilebilir. Alt koruma parçasını geri çekme kolu ile kaldırın, bıçak malzemeye girer girmez alt koruma parçası serbest kalmalıdır.** Diğer tüm kesme işlemlerinde alt koruma parçası otomatik olarak çalışmalıdır.
4. **Sunta kesme aletini tezgahın ya da zeminin üstüne yerleştirmeden önce alt koruma parçasının bıçağı örttüğünden emin olun.** Korumasız, boşta kalan bir bıçak, sunta kesme aletinin geri hareket ederek önünde ne varsa kesmesine neden olur. Anahtar bırakıldıktan sonra bıçağın durması için gereken zamana dikkat edin.

5. **Alt koruma parçasını kontrol etmek için, alt koruma parçasını elle açın ve ardından koruma parçasını serbest bırakın ve kapanmasını izleyin. Ayrıca geri çekme kolunun alet muhafazasına temas edip etmediğini kontrol edin.** Bıçağı açıkta bırakmak ÇOK TEHLİKELİDİR ve ciddi kişisel yaralanmalara neden olabilir.

**Ek güvenlik uyarıları**

1. **Islak tahtaları, basınçla işlenmiş keresteleri veya budaklı ağaçları keserken daha fazla dikkat gösterin.** Bıçak uçlarının aşırı ısınmasını önlemek için, aletin bıçak hızı düşmeden düzgün ilerlemesini sağlayın.
2. **Bıçak hareket halindeyken kesilen malzemeyi çıkarmaya çalışmayın. Kesilen materyale elmeden önce bıçağın durmasını bekleyin.** Kapatıldıktan sonra bıçaklar bir müddet boşta hareket edebilir.
3. **Çivileri kesmekten kaçının. Kesmeden önce tahtadaki tüm çivileri bulun ve çıkarın.**
4. **Kesme yaparken, testere tabanının daha geniş bölümünü iş parçasının düşecek kısmının değil altı sağlam şekilde desteklenen kısmının üstüne yerleştirin. İş parçası kısa ya da küçüksse, mengeneyle sıkıştırın. KISA PARÇALARI ELLE TUTMAYA ÇALIŞMAYIN!**

► **Şek.5**

5. **Bir kesimi gerçekleştirdikten sonra aleti bırakırken, siperin kapalı olduğundan ve bıçağın tam olarak durduğundan emin olun.**
6. **Daire testereyi mengeneyle baş aşağı tutarak kesme yapmaya asla çalışmayın. Bu son dercede tehlikelidir ve ciddi kazalara yol açabilir.**

► **Şek.6**

7. **Bazı malzemeler zehirli olabilen kimyasallar içerirler. Toz yutmayı ve cilt temasını önlemek için tedbir alın. Malzeme sağlayıcısının güvenlik bilgilerine uyun.**
8. **Bıçakları testere bıçağına yanal basınç uygulayarak durdurmayın.**
9. **Aşındırıcı diskleri kullanmayın.**
10. **Sadece alet üzerine basılmış olan ya da kılavuzda belirtilmiş olan çapta bir testere bıçağı kullanın.** Yanlış boyuttaki bir bıçağın kullanılması bıçağa karşı doğru bir şekilde siperle koruma yapılmasını veya siperin işleyişini etkileyebilir, bu da ciddi kişisel yaralanmalara neden olabilir.
11. **Bıçağı keskin ve temiz tutun.** Bıçakların üzerinde sertleşen sakız veya zambak, testereyi yavaşlatır ve geri tepme riskini artırır. Bıçağı önce aletten çıkarıp ardından sakız ve zambak çözücü bir madde, sıcak su veya gaz yağı ile temizleyin. Asla benzin kullanmayın.
12. **Bu aleti kullanırken bir toz maskesi ve kulak koruması takın.**
13. **Her zaman keseceğiniz malzeme için tasarlanmış testere bıçağını kullanın.**
14. **Sadece hızı alet üzerinde işaretli olan hıza eşit ya da ondan daha yüksek olan testere bıçaklarını kullanın.**
15. **(Yalnızca Avrupa ülkeleri için) Her zaman EN847-1 standartına uygun bir bıçak kullanın.**

**BU TALİMATLARI MUHAFAZA EDİNİZ.**

**⚠UYARI:** Ürünü kullanırken (defalarca kullanınca kazanılan) rahatlık ve tanıdıklık duygusunun ilgili ürünün güvenlik kurallarına sıkı sıkıya bağlı kalmanın yerine geçmesine İZİN VERMEYİN. YANLIŞ KULLANIM veya bu kullanma kılavuzunda belirtilen emniyet kurallarına uymama ciddi yaralanmaya neden olabilir.

### Batarya kartuşu hakkında önemli güvenlik talimatları

1. Batarya kartuşunu kullanmadan önce, tüm talimatları ve (1) batarya kartuşu, (2) batarya ve (3) ürün üzerindeki tüm uyarı işaretlerini okuyun.
2. Batarya kartuşunu demonte etmeyin.
3. Çalışma süresi aşırı derecede kısalmışsa kullanmayı derhal bırakın. Aşırı ısınma, yanma riski hatta patlamaya neden olabilir.
4. Gözünüze elektrolit kaçarsa, gözlerinizi temiz suyla durulayın ve hemen tıbbi yardım alın. Görme kaybına yol açabilir.
5. Batarya kartuşuna kısa devre yaptırmayın:
  - (1) Terminallere herhangi bir iletken madde değdirmeyin.
  - (2) Batarya kartuşunu çiviler, madeni paralar, vb. gibi başka metal nesnelere aynı kaba koymaktan kaçının.
  - (3) Batarya kartuşunu yağmura ya da suya maruz bırakmayın.Kısa devre, büyük bir akım akışına, aşırı ısınmaya, olası yanıklara hatta bataryanın bozulmasına yol açabilir.
6. Aleti ve batarya kartuşunu sıcaklığın 50°C ya da daha yükseğe ulaştığı yerlerde saklamayın.
7. Aşırı derecede hasar görmüş ya da tamamen kullanılamaz durumda olsa bile batarya kartuşunu yakmayın. Batarya kartuşu ateşe atılırsa patlayabilir.
8. Bataryayı düşürmemeye ve çarpmamaya dikkat edin.
9. Hasarlı bataryayı kullanmayın.
10. Aletin içerdığı lityum-iyon bataryalar Tehlikeli Eşyalar Yönetmeliğinin gereksinimlerine tabidir.

Ticari nakliye işlemleri için, örneğin üçüncü taraflar, nakliye acenteleri tarafından yapılan nakliyelerde, paketleme ve etiketleme gereksinimlerine uyulmalıdır.

Nakliyesi yapılacak ürünün hazırlanması için, tehlikeli maddeler konusunda uzman bir kişiye danışın. Lütfen muhtemelen daha ayrıntılı olan ulusal yönetmeliklere de uyun.

Açık kontakları bantlayın ya da maskeleyin ve bataryayı paketin içinde hareket etmeyecek şekilde paketleyin.
11. Bataryanın elden çıkarılması ile ilgili yerel düzenlemelere uyunuz.
12. Bataryaları sadece Makita tarafından belirtilen ürünlerle kullanın. Bataryaların uyumsuz ürünlere takılması; yangın, aşırı ısınma, patlama ya da elektrolit sızıntısına neden olabilir.

**BU TALİMATLARI MUHAFAZA EDİNİZ.**

**⚠DİKKAT:** Sadece orijinal Makita bataryalarını kullanın. Orijinal olmayan Makita bataryaları ya da üzerine değişiklik yapılmış bataryaların kullanımı bataryanın patlamasına ve sonuç olarak yangın, kişisel yaralanma ve hasara neden olabilir. Ayrıca Makita aleti ve şarj aletinin Makita tarafından sunulan garantisini de geçersiz olur.

### Maksimum batarya ömrü için ipuçları

1. Batarya kartuşunu tamamen boşalmadan önce şarj edin. Aletin gücünün zayıflamaya başladığını fark ettiğinizde aleti durdurun ve batarya kartuşunu şarj edin.
2. Tam dolu bir batarya kartuşunu asla yeniden şarj etmeyin. Aşırı şarj etme bataryanın hizmet ömrünü kısaltır.
3. Batarya kartuşunu 10°C - 40°C oda sıcaklığında şarj edin. Sıcak bir batarya kartuşunu şarj etmeden önce soğumasını bekleyin.
4. Uzun bir süre (altı aydan daha fazla) kullanmadığınız durumlarda batarya kartuşunu şarj edin.

### Kablosuz ünitesi için önemli güvenlik talimatları

1. Kablosuz ünitesini parçalarına ayırmayın veya kurcalamayın.
2. Kablosuz ünitesini küçük çocuklardan uzak tutun. Kazara yutulursa derhal tıbbi yardım alın.
3. Kablosuz ünitesini sadece Makita aletlerle kullanın.
4. Kablosuz ünitesini yağmura veya ıslak koşullara maruz bırakmayın.
5. Kablosuz ünitesini sıcaklığın 50°C'yi aştığı yerlerde kullanmayın.
6. Kablosuz ünitesini, kalp pilleri gibi tıbbi cihazların yakınında bulunan yerlerde kullanmayın.
7. Kablosuz ünitesini, otomatik cihazların yakınında bulunan yerlerde kullanmayın. Kullanılırsa otomatik cihazlar arızalanabilir veya hata verebilir.
8. Kablosuz ünitesini, yüksek sıcaklık altındaki yerlerde veya statik elektrik veya elektrik gürültüsü üretilebilecek yerlerde kullanmayın.
9. Kablosuz ünitesi elektromanyetik alanlar üretilebilir ancak onlar kullanıcıya zararlı değildir.
10. Kablosuz ünitesi hassas bir cihazdır. Kablosuz ünitesini düşürmemeye veya çarpmamaya dikkat edin.
11. Kablosuz ünitesinin terminaline çıplak ellerle veya metalik malzemelerle dokunmaktan kaçının.
12. Kablosuz ünitesini ürüne takarken ürünün üzerindeki bataryayı mutlaka çıkarın.
13. Yuva kapağını açarken yuvaya toz ve suyun girebileceği yerlerden kaçının. Yuva girişini daima temiz tutun.

14. Kablosuz ünitesi her zaman doğru yönde takın.
15. Kablosuz ünitesinin üzerindeki kablosuz çalıştırma düğmesine çok sert basmayın ve/veya düğmeye keskin uçlu bir cisim ile basmayın.
16. Kullanırken yuva kapağını mutlaka kapatın.
17. Alete güç beslenirken kablosuz ünitesini yuvadan çıkarmayın. Aksi takdirde kablosuz ünitesi arızalanabilir.
18. Kablosuz ünitesinin üzerindeki etiketi çıkarmayın.
19. Kablosuz ünitesinin üzerine hiçbir etiket koymayın.
20. Kablosuz ünitesini, statik elektrik veya elektrik gürültüsü üretilebilecek yerlerde bırakmayın.
21. Kablosuz ünitesini, güneşin altında duran bir araba gibi yüksek ısıya maruz yerlerde bırakmayın.
22. Kablosuz ünitesini, tozlu veya aşındırıcı gaz üretilebilecek yerlerde bırakmayın.
23. Ani sıcaklık değişimleri kablosuz ünitesini nemlendirebilir. Nem tamamen kuruyana dek kablosuz ünitesini kullanmayın.
24. Kablosuz ünitesini temizlerken kuru yumuşak bir bezle nazikçe silin. Benzin, tiner, iletken gres veya benzeri maddeler kullanmayın.
25. Kablosuz ünitesini saklarken ürünle verilen kutusunda veya anti-statik bir kaptaki saklayın.
26. Alet üzerindeki yuvaya Makita kablosuz ünitesi dışında başka hiçbir ağıt sokmayın.
27. Aleti, yuvanın kapağı hasarlı iken kullanmayın. Yuvaya giren su, toz ve pislik arızaya neden olabilir.
28. Yuvanın kapağını gerekenden fazla çekmeyin ve/veya bükmeyin. Aletten çıkması durumunda kapağı yeniden takın.
29. Kaybolur veya hasar görürse kapağı değiştirin.

## BU TALİMATLARI MUHAFAZA EDİNİZ.

## İŞLEVSEL NİTELİKLER

**⚠ DİKKAT:** Alet üzerinde ayarlama veya işleyiş kontrolü yapmadan önce aletin kapalı ve batarya kartuşunun ayrılmış olduğundan daima emin olun.

### Batarya kartuşunun takılması ve çıkarılması

**⚠ DİKKAT:** Batarya kartuşunu takmadan ya da çıkarmadan önce aleti daima kapatın.

**⚠ DİKKAT:** Batarya kartuşunu takarken veya çıkarırken aleti ve batarya kartuşunu sıkıca tutun. Aletin ve batarya kartuşunun sıkıca tutulmaması bunların düşürülmesine sebep olabilir ve alet ve batarya kartuşunun zarar görmesine ya da ciddi yaralanmasına yol açabilir.

**⚠ DİKKAT:** Bataryaları takmadan ya da çıkarmadan kaideyi daima aşağı indirin. Parmaklarınızı sıkıştırmamaya dikkat edin.

**⚠ DİKKAT:** Batarya adaptörünü sunta kesme aletiyle kullanmayın. Batarya adaptörünün kablosu çalışmayı engelleyebilir ve kişisel yaralanmaya neden olabilir.

► Şek.7: 1. Kol 2. Kırmızı gösterge 3. Düğme 4. Batarya kartuşu

Batarya kartuşunu çıkarmadan önce derinlik ayarı için kolu gevşetip alet kaidesini aşağı indirin. Ardından, kartuşun önündeki düğmeyi aşağı bastırarak bataryayı kaydırıp aletten çıkarın.

Batarya kartuşunu takmak için, batarya kartuşu üzerindeki dili yuvanın çentiği ile hizalayın ve yerine oturtun. Hafif bir tık sesi duyulana kadar itip yerine tam oturmasını sağlayın. Düğmenin üst tarafındaki kırmızı gösterge görünüyorsa tam yerine kilitlenmemiş demektir.

**⚠ DİKKAT:** Batarya kartuşunu daima kırmızı gösterge görünmeyecek şekilde tam olarak takın. Yerine tam oturmazsa, aletten yanlışlıkla düşebilir, sizin ya da çevrenizdeki kişilerin yaralanmasına neden olabilir.

**⚠ DİKKAT:** Batarya kartuşunu zorlayarak takmayın. Kartuş kolay bir şekilde kaymıyorsa doğru yerleştirilmemiş demektir.

**NOT:** Alet sadece bir batarya kartuşu ile çalışmaz.

### Alet/batarya koruma sistemi

Bu alet bir alet/batarya koruma sistemi ile donatılmıştır. Bu sistem motora giden gücü otomatik olarak keserek uzun alet ve batarya ömrü sağlar. Alet veya batarya için aşağıdaki durumlardan biri söz konusu olduğunda aletin işleyişi otomatik olarak durur. Bazı durumlarda göstergeler yanar.

#### Aşırı yük koruması

Alet, anormal derecede yüksek akım çekmesine neden olacak şekilde kullanıldığında, alet otomatik olarak durur. Bu durumda, aleti kapatın ve aletin aşırı yüklenmesine neden olan uygulamayı durdurun. Ardından yeniden başlatmak için aleti çalıştırın.

#### Aşırı ısınma koruması

Alet aşırı ısındığında otomatik olarak durur ve batarya göstergesi yaklaşık 60 saniye yanıp söner. Bu durumda, yeniden çalıştırmadan önce aletin soğumasını bekleyin.

<input type="checkbox"/> Açık	<input checked="" type="checkbox"/> Yanıp sönüyor

### Aşırı deşarj koruması

Batarya kapasitesi düştüğünde, alet otomatik olarak durur. Anahtarlar devredeyken bile ürün çalışmıyorsa, bataryaları aletten çıkarıp şarj edin.

### Kalan batarya kapasitesinin gösterilmesi

► **Şek.8:** 1. Batarya göstergesi 2. Kontrol düğmesi

Kalan batarya kapasitesini göstermesi için kontrol düğmesine basın. Batarya göstergelerinin her biri bir bataryaya karşılık gelir.

Batarya göstergesi durumu			Kalan pil kapasitesi
<input type="checkbox"/> Açık	<input type="checkbox"/> Kapalı	<input checked="" type="checkbox"/> Yanıp sönüyor	
			%50 ila %100
			%20 ila %50
			%0 ila %20
			Bataryayı şarj edin

### Kalan batarya kapasitesinin gösterilmesi

**Sadece göstergeli batarya kartuşları için**

► **Şek.9:** 1. Gösterge lambaları 2. Kontrol düğmesi

Kalan batarya kapasitesini göstermesi için batarya kartuşu üzerindeki kontrol düğmesine basın. Gösterge lambaları birkaç saniye yanar.

Gösterge lambaları			Kalan kapasite
<input checked="" type="checkbox"/> Yanıyor	<input type="checkbox"/> Kapalı	<input checked="" type="checkbox"/> Yanıp sönüyor	
			%75 ila %100
			%50 ila %75
			%25 ila %50
			%0 ila %25
			Bataryayı şarj edin.
			Batarya arızalanmış olabilir.

**NOT:** Kullanım koşullarına ve ortam sıcaklığına bağlı olarak, gösterilen değer gerçek kapasiteden biraz farklılık gösterebilir.

### Anahtar işlemi

**UYARI:** Batarya kartuşunu alete takmadan önce anahtar tetiğinin doğru çalıştığından ve bırakıldığında "OFF" (kapalı) konumuna döndüğünden emin olun.

**UYARI:** Güvenlik kilidi düğmesini ASLA bantlayarak ya da başka bir yöntemle devre dışı bırakmaya çalışmayın. Güvenlik kilidi düğmesi devre dışı bırakılmış bir anahtar, istem dışı çalışmaya ve ciddi kişisel yaralanmalara neden olabilir.

**UYARI:** Güvenlik kilidi düğmesine basmadan sadece anahtar tetik çekildiğinde çalışan bir aleti ASLA kullanmayın. Tamir edilmesi gereken bir anahtar, istem dışı çalışmaya ve ciddi kişisel yaralanmalara neden olabilir. Daha fazla kullanmadan ÖNCE doğru bir şekilde tamir ettirmek için aleti bir Makita servisine götürün.

Anahtar tetiğinin yanlışlıkla çekilmesini önlemek için bir güvenlik kilidi düğmesi sağlanmıştır. Aleti başlatmak için, güvenlik kilidi düğmesine bastırın ve anahtar tetiği çekin. Durdurmak için anahtar tetiği bırakın.

► **Şek.10:** 1. Anahtar tetik 2. Güvenlik kilidi düğmesi

**ÖNEMLİ NOT:** Güvenlik kilidi düğmesine basmadan anahtar tetiği sıkıca çekmeyin. Bu, anahtarın kırılmasına neden olabilir.

**DİKKAT:** Anahtar tetiği bıraktığınızda alet, sunta kesme bıçağının dönüşünü hemen kesmeye başlar. Anahtar tetiği bırakırken dönüşün kesilmesine karşı oluşacak tepkiyi önlemek için aleti sıkıca tutun. Ani tepki, aleti elinizden düşürmenize ve kişisel yaralanmaya neden olabilir.

### Otomatik hız değiştirme işlevi

Bu alette "yüksek hız modu" ve "yüksek tork modu" bulunur.

Alet iş yüküne bağlı olarak çalışma modunu otomatik olarak değiştirir. İş yükü düşükken alet, hızlı kesim işlemi için "yüksek hız modunda" çalışır. İş yükü yüksekken alet, güçlü kesim işlemi için "yüksek tork modunda" çalışır.

► **Şek.11:** 1. Mod göstergesi

Alet "yüksek tork modunda" çalışırken mod göstergesi yeşil yanar.

Alet aşırı yükte çalıştırılırsa mod göstergesi yeşil yanıp söner. Aletin üzerindeki yük azaltılırsa mod göstergesi yanıp sönmeyi keser ve daha sonra yanar veya söner.

Mod göstergesi durumu			Çalışma modu
<input checked="" type="radio"/> Kapalı	<input type="radio"/> Açık	<input checked="" type="radio"/> Yanıp sönüyor	
			Yüksek hız modu
			Yüksek tork modu
			Aşırı yük uyarısı

### Kesimin derinliğini ayarlamak

**⚠ DİKKAT:** Kesim derinliğini ayarladıktan sonra kolu daima iyice sıkılayın.

Derinlik kılavuzunun üzerindeki kolu gevşetin ve kaideyi yukarı veya aşağıya doğru hareket ettirin. İstenilen kesim derinliğinde kolu sıkılayarak kaideyi sabitleyin. Daha temiz ve güvenli kesimler için, kesim derinliğini bıçağın bir dışından fazlası iş parçasının altından çıkamayacak şekilde ayarlayın. Doğru kesim derinliğinin kullanılması ciddi yaralanmalara neden olabilecek olası GERİ TEPMELELERİN önlenmesini sağlar.

► **Şek.12:** 1. Kol

### Eğimli kesim

**⚠ DİKKAT:** Eğim açısını ayarladıktan sonra daima sıkıştırma vidalarını iyice sıkın.

Sıkıştırma vidalarını gevşetin. Uygun şekilde eğerek istenen açıya ayarlayın, ardından sıkıştırma vidalarını iyice sıkın.

► **Şek.13:** 1. Sıkıştırma vidası

Tam 45°'lik bir açıyla kesim yaparken durdurucuyu kullanın. 0° - 45° eğimli kesim veya 0° - 48° eğimli kesime göre durdurucuyu şekilde gösterildiği gibi tam olarak döndürün.

► **Şek.14:** 1. Durdurucu

### Nişanlama

Düz kesimler için kaidenin önündeki 0° konumunu kesim çizginizle hizalayın. 45° eğimli kesimler için 45° konumunu kesim çizginizle hizalayın.

► **Şek.15:** 1. Kesim çizgisi (0° konumu) 2. Kesim çizgisi (45° konumu)

### Lambanın yakılması

**⚠ DİKKAT:** Işığa bakmayın ya da ışık kaynağını doğrudan görmeyin.

Aleti çalıştırmadan lambayı yakmak için güvenlik kilidi düğmesine basmadan sadece anahtar tetiği çekin. Alet çalışırken lambayı yakmak için güvenlik kilidi düğmesine bastırın ve düğmeyi basılı tutarken anahtar tetiği çekin.

Lamba, anahtar tetik serbest bırakıldıktan 10 saniye sonra söner.

► **Şek.16:** 1. Lamba

**NOT:** Lamba lensini temizlemek için kuru bir bez kullanın. Aydınlatmayı azaltacağı için lamba lensinin çizilmemesine dikkat edin.

### Kanca

#### İsteğe bağlı aksesuar

**⚠ DİKKAT:** Aleti kanca ile asarken bataryayı daima çıkarın.

**⚠ DİKKAT:** Aleti asla dengesini kaybedebileceği ve düşebileceği yüzeylere ya da yüksek yerlere kancayla asmayın.

**⚠ DİKKAT:** Alet kanca ile asılıyken aleti aşağı doğru çekmeyin.

Kanca, aleti geçici olarak asmak için kullanışlıdır.

► **Şek.17**

Kancayı şekilde gösterildiği gibi vidalarla takın.

► **Şek.18:** 1. Kanca 2. Vida

Kancayı kullanmak için, açık konuma kilitlenene kadar kancayı yukarı döndürmeniz yeterlidir.

Kullanılmadığı zaman, kancayı daima döndürerek kapalı konuma kilitleyin.

► **Şek.19:** 1. Açık konum 2. Kapalı konum

### Elektrikli fren

Bu alet bir elektrikli bıçak freni ile donatılmıştır. Anahtar kol bırakıldıktan sonra alet devamlı bir şekilde, daire testere bıçağını çabucak durduramıyorsa alete Makita servis merkezinde bakım yaptırın.

**⚠ DİKKAT:** Bıçak fren sistemi, bıçak siperinin yerine geçmez. **ÇALIŞAN BİR BIÇAK SİPERİ OLMADAN ALETİ ASLA KULLANMAYIN. CİDDİ YARALANMAYA YOL AÇILIR.**

### Elektronik fonksiyon

Elektronik fonksiyonlu aletlerin kullanımı aşağıda belirtilen özellik(ler) nedeniyle daha kolaydır.

#### Yumuşak kalkış özelliği

Bastırılan başlama şoku nedeniyle yumuşak kalkış.

### MONTAJ

**⚠ DİKKAT:** Alet üzerinde herhangi bir iş yapmadan önce aletin kapalı ve batarya kartuşunun ayrılmış olduğundan daima emin olun.

### Altıgen anahtarın saklanması

Kullanılmadığı zamanlarda, altıgen anahtarın kaybolmasını önlemek için anahtar şeklide gösterildiği gibi saklayın.

► **Şek.20:** 1. Altıgen anahtar

## Sunta kesme bıçağının takılması ve çıkarılması

**⚠ DİKKAT:** Sunta kesme bıçağının, aletin ön kısmında dişler yukarı bakacak şekilde takıldığınıdan emin olun.

**⚠ DİKKAT:** Sunta kesme bıçağını takmak ve çıkarmak için sadece Makita marka anahtar kullanın.

Sunta kesme bıçağını çıkarmak için, şaft kilidine tamamen bastırarak sunta kesme bıçağının dönmesini engelleyin ve altigen civatayı gevşetmek için altigen anahtarı kullanın. Ardından, altigen civatayı, dış flanş, sunta kesme bıçağını ve bileziği (ülkeye özgü) çıkarın.

► **Şek.21:** 1. Şaft kilidi 2. Altigen anahtar 3. Gevşet 4. Sıkıştır

### Bileziksiz aletler için

► **Şek.22:** 1. Altigen civata 2. Dış flanş 3. Sunta kesme bıçağı 4. İç flanş

### Bilezikli aletler için

► **Şek.23:** 1. Altigen civata 2. Dış flanş 3. Sunta kesme bıçağı 4. Bilezik 5. İç flanş

Sunta kesme bıçağını takmak için, çıkarma prosedürünü tersten izleyin.

## 15,88 mm delik çaplı dışındaki sunta kesme bıçakları için iç flanşlı aletler

İç flanşın bir tarafında belli bir çapta çıkıntı, diğer tarafında farklı bir çapta çıkıntı mevcuttur. Sunta kesme bıçağı deliğine tam oturacak çıkıntıya sahip olan doğru tarafı seçin. İç flanş üzerindeki çıkıntının doğru tarafı dışarı gelecek şekilde iç flanş montaj şaftına monte edin ve ardından sunta kesme bıçağını ve dış flanş yerleştirin.

► **Şek.24:** 1. Montaj şaftı 2. İç flanş 3. Sunta kesme bıçağı 4. Dış flanş 5. Altigen civata

**⚠ UYARI:** ALTİGEN CIVATAYI SAAT YÖNÜNDE DÖNDÜREREK İYİCE SIKILADIĞINIZDAN EMİN OLUN. Ayrıca, civatayı zorlamadan sıkılamaya dikkat edin. Altigen anahtarı elinizden kaydırmak kişisel yaralanmaya neden olabilir.

**⚠ UYARI:** İç flanş üzerindeki dışarı bakan "a" çıkıntısının sunta kesme bıçağının "a" deliğine tam olarak uyduğundan emin olun. Bıçağın yanlış tarafa monte edilmesi tehlikeli titreşimlere neden olabilir.

## 15,88 mm delik çaplı bir sunta kesme bıçağı için iç flanşlı aletler (ülkeye özgü)

İç flanş girintili tarafı montaj şaftına doğru bakacak şekilde monte edin ve ardından sunta kesme bıçağını (gerekirse bilezik takılı olarak), dış flanş ve altigen civatayı takın.

### Bileziksiz aletler için

► **Şek.25:** 1. Montaj şaftı 2. İç flanş 3. Sunta kesme bıçağı 4. Dış flanş 5. Altigen civata

### Bilezikli aletler için

► **Şek.26:** 1. Montaj şaftı 2. İç flanş 3. Sunta kesme bıçağı 4. Dış flanş 5. Altigen civata 6. Bilezik

**⚠ UYARI:** ALTİGEN CIVATAYI SAAT YÖNÜNDE DÖNDÜREREK İYİCE SIKILADIĞINIZDAN EMİN OLUN. Ayrıca, civatayı zorlamadan sıkılamaya dikkat edin. Altigen anahtarı elinizden kaydırmak kişisel yaralanmaya neden olabilir.

**⚠ UYARI:** Bıçağı mile monte etmek için bilezik gerekirse, kullanmak istediğiniz bıçağın mil deliği için doğru bileziğin iç ve dış flanşlar arasına takıldığınıdan daima emin olun. Mil deliği için doğru olmayan bileziğin kullanılması bıçağın hatalı montajına neden olarak bıçağın hareket etmesine ve ciddi titreşim yapmasına yol açar, bu da çalışma sırasında muhtemel bir kontrol kaybına ve ciddi kişisel yaralanmalara sebep olabilir.

## Bıçak koruma parçasının temizlenmesi

Sunta kesme bıçağını değiştirirken, Bakım bölümünde açıkladığı şekilde, üst ve alt bıçak koruma parçalarında birikmiş olan talaşı temizlediğinizden emin olun. Bunu yapmanız, her kullanımdan önce alt koruma parçasının işleyişini kontrol etme gereğinin yerine geçmez.

## Bir elektrikli süpürgeye bağlanması

Temiz bir kesme işlemi gerçekleştirmek isterseniz, aletinize Makita marka bir elektrikli süpürge bağlayın. Elektrikli süpürgeye hortumunu şekilde gösterildiği gibi toz toplama başlığına bağlayın.

► **Şek.27:** 1. Toz toplama başlığı 2. Vida

► **Şek.28:** 1. Hortum 2. Elektrikli süpürge

## KULLANIM

Bu alet, ahşap ürünlerini kesmek için tasarlanmıştır. Uygun Makita orijinal sunta kesme bıçaklarıyla aşağıdaki malzemeler de kesilebilir:

- Alüminyum ürünleri
- Kesilecek materyalde kullanılacak doğru sunta kesme bıçakları için web sitemize bakın veya yerel Makita satıcınıza başvurun.

## Bıçak koruma parçasının çalışmasının kontrol edilmesi

Eğim açısını 0°'ye ayarlayın ve ardından alt koruma parçasını elle sonuna kadar geri çekerek bırakın. Şunları görürseniz alt koruma parçası düzgün çalışmıyor;

- hiçbir engelleme olmadan kaidenin üzerine geri çekilebiliyor ve;
- otomatik olarak geri dönüp durdurucuya temas ediyor.

► **Şek.29:** 1. Üst koruma parçası 2. Alt koruma parçası 3. Kaide 4. Durdurucu 5. Açma 6. Kapama

Alt koruma parçası düzgün çalışmıyorsa üst ve alt koruma parçalarının içinde talaş birikip birikmediğini kontrol edin. Talaşlar temizlendikten sonra bile alt koruma parçası düzgün çalışmıyorsa aletinize bir Makita servis merkezinde bakım yaptırın.

## Kesme işlemi

**⚠DİKKAT:** Kesme işlemi yaparken toz maskesi takın.

**⚠DİKKAT:** Aleti düz bir çizgi boyunca hafifçe ilerlettığınızden emin olun. Aleti zorlamak veya bükmek motorun aşırı ısınmasına ve tehlikeli geri tepmelere neden olarak ciddi yaralanmalara yol açabilir.

**NOT:** Batarya kartuşunun sıcaklığı düşük olduğunda, alet tam kapasitede çalışmayabilir. Bu durumda, batarya kartuşu ısınıp oda sıcaklığına ulaşınca kadar, aleti bir müddet boyunca, örnek vermek gerekirse, hafif güç gerektiren bir işte kullanın. Böylece, alet tam kapasitede çalışabilir.

### ► Şek.30

Aleti sıkıca tutun. Alet üzerinde hem önde bir kavrama kolu hem de arkada bir tutamak mevcuttur. Aleti en iyi şekilde kavramak için ikisini de kullanın. İki eliniz sunta kesme aletini tutarsa, ellerinizin sunta kesme bıçağı tarafından kesilme riski olmaz. Kaideyi sunta kesme bıçağına temas etmeyecek şekilde kesilecek iş parçasının üzerine yerleştirin. Ardından aleti çalıştırın ve sunta kesme bıçağı tam hıza ulaşana kadar bekleyin. Şimdi aleti iş parçasının yüzeyi üzerinde ileri doğru itirip kesim işlemi tamamlanana kadar düz tutarak yumuşak bir şekilde ilerletin. Temiz bir kesim için, kesim çizginizi düz, ilerletme hızınızı sabit tutmaya özen gösterin. Kesim, istediğiniz kesim çizgisini düzgün bir şekilde takip etmezse geri dönmeye ya da aleti kesim çizgisine zorlamaya çalışmayın. Bunu yapmak, sunta kesme bıçağının takılmasına yol açabilir, tehlikeli geri tepmelere ve olası ciddi yaralanmalara neden olabilir. Anahtarı bırakın, sunta kesme bıçağının durmasını bekleyin ve aleti çekin. Aleti yeni kesim çizgisine hizalayın ve kesimi yeniden başlatın. Kullanıcıyı sunta kesme aletinden çıkan kıymık ve çapaklara maruz bırakacak konumlardan kaçının. Yaralanmayı önlemeye yardımcı olması için koruyucu gözlük kullanın.

## Destek perdesi (Kılavuz çubuğu)

**⚠DİKKAT:** Kullanmadan önce destek perdesinin doğru konumda sıkıca monte edildiğinden emin olun. Hatalı montaj tehlikeli geri tepmeye neden olabilir.

- Şek.31: 1. Destek perdesi (Kılavuz çubuğu)  
2. Sıkıştırma vidası

Kullanışlı bir aksesuar olan destek perdesi çok daha hassas düz kesimler yapmanızı sağlar. Destek perdesini iş parçasının kenarına yavaşça kaydırın ve kaidenin ön kısmındaki vida ile yerine sabitleyin. Aynı genişlikte ardıl kesimler yapmayı da mümkün kılar.

## Kılavuz rayı

### İsteğe bağlı aksesuar

Aleti kılavuz rayının arka ucuna yerleştirin. Alet takırdamadan akıcı bir şekilde kayacak şekilde aletin kaidesi üzerindeki iki ayar vidasını çevirin. Aletin hem ön kavrama kolunu hem de arka tutamağını sıkıca tutun. Aleti açın ve tüm uzunluk boyunca tek hareketle yarılma koruyucuyu kesin. Şimdi, yarılma koruyucunun kenarı kesim kenarına karşılık gelir.

- Şek.32: 1. Ayar vidaları

Kılavuz rayı ile eğimli kesim yaparken aletin devrilmemesini engellemek için kaydırma kolunu kullanın. Aletin kaidesi üzerindeki kaydırma kolunu ok yönünde kaydırarak kılavuz rayındaki altı kesik kanala geçmesini sağlayın.

- Şek.33: 1. Kaydırma kolu

## Halat (bağlama kayışı) bağlantısı

### ⚠Yüksekte kullanıma özel güvenlik uyarıları

**Tüm güvenlik uyarılarını ve talimatları okuyun.**

Uyarıların ve talimatların izlenmemesi ciddi yaralanmaya yol açabilir.

1. “Yüksekte” çalışırken aleti her zaman bağlı tutun. Maksimum halat uzunluğu 2 m’dir.
2. Yalnızca bu alet türüne uygun ve taşıma kapasitesi en az 6,0 kg (13,3 lbs) olan halatlarla kullanın.
3. Alet halatını vücudunuzdaki hiçbir şeye veya hareketli parçalara bağlamayın. Alet halatını, düşen bir aletin kuvvetlerine dayanabilecek sabit bir yapıya bağlayın.
4. Kullanmadan önce halatın iki ucunun da uygun şekilde tuturulduğunu kontrol edin.
5. Her kullanımdan önce aleti ve halatı (örgü ve dikiş dahil) hasar ve uygun çalışma açısından kontrol edin. Hasarlı ise veya düzgün çalışmıyorsa kullanmayın.
6. Halatları keskin veya pürüzlü kenarların etrafına sarmayın veya bunlara temas etmesine izin vermeyin.
7. Halatın diğer ucunu, düşen alet güvenli bir şekilde tutulacak şekilde çalışma alanının dışına bağlayın.
8. Halatı, alet düştüğünde operatörden uzaklaşacak şekilde bağlayın. Düşen aletler halatın ucunda sallanır, bu durum yaralanmaya veya denge kaybına neden olabilir.
9. Hareketli parçaların veya çalışan makinelerin yakınında kullanmayın. Aksi takdirde parçalanma veya takılma tehlikesine neden olabilir.
10. Aleti bağlantı aygıtından veya halattan taşımayın.
11. Aleti yalnızca ellerinizin arasında, dengenez tam iken aktarın.
12. Halatları siperlerin, anahtarların veya güvenlik kilitlerinin düzgün çalışmasını engelleyecek şekilde alete takmayın.
13. Halata takılmaktan sakının.
14. Halatı aletin kesim alanından uzak tutun.
15. Çok işlemlerli tip ve vidalı tip karabinalar kullanın. Tek işlemlerli yaylı karabinalar kullanmayın.
16. Aletin düşmesi durumunda alet etiketlenmeli ve servis dışı bırakılmalıdır; Makita fabrikası veya yetkili servis merkezi tarafından kontrol edilmelidir.

- Şek.34: 1. Halat (bağlama kayışı) deliği

## KABLOSUZ ÇALIŞTIRMA İŞLEVİ

Sadece DHS783 için

### Kablosuz çalıştırma işlevi ile yapabilecekleriniz

Kablosuz çalıştırma işlevi temiz ve rahat kullanım sağlar. Alete desteklenen bir elektrikli süpürge bağlayarak elektrikli süpürgeyi aletin anahtarla çalıştırılması ile birlikte çalıştırabilirsiniz.

► **Şek.35**

Kablosuz çalıştırma işlevini kullanmak için aşağıdaki unsurları hazırlayın:

- Bir kablosuz ünitesi (isteğe bağlı aksesuar)
- Kablosuz çalıştırma işlevini destekleyen bir elektrikli süpürge

Kablosuz çalıştırma işlevi ayarına genel bakış aşağıda verilmiştir. Ayrıntılı işlemler için her bir kısma bakın.

1. Kablosuz ünitesinin takılması
2. Elektrikli süpürge için alet kaydı
3. Kablosuz çalıştırma işlevinin başlatılması

### Kablosuz ünitesinin takılması

**İsteğe bağlı aksesuar**

**⚠DİKKAT:** Kablosuz ünitesini takarken aleti düz ve dengeli bir zemine yerleştirin.

**ÖNEMLİ NOT:** Kablosuz ünitesini takmadan önce aletin üzerindeki toz ve kiri temizleyin. Toz veya kir, kablosuz ünitesinin yuvasına girerse arızaya neden olabilir.

**ÖNEMLİ NOT:** Statik elektrik kaynaklı arızaları engellemek için kablosuz ünitesini almadan önce aletin metal kısmı gibi statik deşarj özellikli bir materyale dokununuz.

**ÖNEMLİ NOT:** Kablosuz ünitesini takarken kablosuz ünitesinin doğru yönde sokulduğundan ve kapağın tamamen kapatıldığından mutlaka emin olun.

1. Aletin üzerindeki kapağı şekilde gösterildiği gibi açın.  
► **Şek.36:** 1. Kapak

2. Kablosuz ünitesini yuvaya sokun ve daha sonra kapağı kapatın.

Kablosuz ünitesini sokarken çıkıntıları yuva üzerindeki girintili kısımlarla hizalayın.

- **Şek.37:** 1. Kablosuz ünitesi 2. Çıkıntı 3. Kapak 4. Girintili kısım

Kablosuz ünitesini çıkarırken kapağı yavaşça açın. Kapağın arka kısmındaki kancalar, kapağı yukarı çektiğinizde kablosuz ünitesini kaldıracaktır.

- **Şek.38:** 1. Kablosuz ünitesi 2. Kanca 3. Kapak

Kablosuz ünitesini çıkardıktan sonra ürünle verilen kutusunda veya anti-statik bir kaptaki saklayın.

**ÖNEMLİ NOT:** Kablosuz ünitesini çıkarırken daima kapağın arka kısmındaki kancaları kullanın. Kancalar kablosuz ünitesini yakalamazsa kapağı tamamen kapatın ve yavaşça tekrar açın.

### Elektrikli süpürge için alet kaydı

**NOT:** Alet kaydı için kablosuz çalıştırma işlevini destekleyen bir Makita elektrikli süpürge gerekir.

**NOT:** Alet kaydına başlamadan önce kablosuz ünitesini alete takmayı bitirin.

**NOT:** Alet kaydı sırasında anahtar tetiği çekmeyin veya elektrikli süpürge üzerindeki güç düğmesini açmayın.

**NOT:** Elektrikli süpürge kullanma kılavuzuna da bakın.

Elektrikli süpürgeyi aletin anahtarla çalıştırılması ile birlikte çalıştırmak isterseniz önceden alet kaydını tamamlayın.

1. Elektrikli süpürge ve alete bataryaları takın.
2. Elektrikli süpürge üzerindeki bekleme düğmesini "AUTO" konumuna alın.  
► **Şek.39:** 1. Bekleme düğmesi

3. Kablosuz çalıştırma lambası yeşil yanıp sönmeye kadar elektrikli süpürge üzerindeki kablosuz çalıştırma düğmesine 3 saniye süreyle basın. Daha sonra aletin üzerindeki kablosuz çalıştırma düğmesine aynı şekilde basın.

- **Şek.40:** 1. Kablosuz çalıştırma düğmesi  
2. Kablosuz çalıştırma lambası

Elektrikli süpürge ve alet başarıyla birbirlerine bağlanırsa kablosuz çalıştırma lambaları 2 saniye süreyle yeşil yanar ve mavi yanıp sönmeye başlar.

**NOT:** Kablosuz çalıştırma lambaları 20 saniye geçtikten sonra yeşil yanıp sönmeyi keser. Süpürge üzerindeki kablosuz çalıştırma lambası yanıp sönmeye aletin üzerindeki kablosuz çalıştırma düğmesine basın. Kablosuz çalıştırma lambası yeşil yanıp sönmeye kablosuz çalıştırma düğmesine kısa süreli basın ve tekrar basılı tutun.

**NOT:** Tek bir elektrikli süpürge için iki veya daha fazla alet kaydı yaparken alet kaydını birer birer tamamlayın.

### Kablosuz çalıştırma işlevinin başlatılması

**NOT:** Kablosuz çalıştırma öncesinde elektrikli süpürge için alet kaydını tamamlayın.

**NOT:** Elektrikli süpürge kullanma kılavuzuna da bakın.

Elektrikli süpürgeye bir aleti kaydettikten sonra elektrikli süpürge, aletin anahtarla çalıştırılması ile birlikte otomatik olarak çalışır.

1. Kablosuz ünitesini alete takın.
2. Elektrikli süpürgenin hortumunu alete bağlayın.  
► **Şek.41**

3. Elektrikli süpürge üzerindeki bekleme düğmesini "AUTO" konumuna alın.

- **Şek.42:** 1. Bekleme düğmesi



4. Aletin üzerindeki kablosuz çalıştırma düğmesine kısa süreyle basın. Kablosuz çalıştırma lambası mavi yanıp söner.

- **Şek.43:** 1. Kablosuz çalıştırma düğmesi  
2. Kablosuz çalıştırma lambası

5. Aletin anahtar tetiğini çekin. Anahtar tetik çekilirken elektrikli süpürge çalıştığını kontrol edin.

Elektrikli süpürge kablosuz çalıştırılmasını durdurmak için alet üzerindeki kablosuz çalıştırma düğmesine basın.

**NOT:** Alet üzerindeki kablosuz çalıştırma lambası, 2 saat süreyle işlem yapılmazsa mavi yanıp sönmeyi keser. Bu durumda elektrikli süpürge üzerindeki bekleme düğmesini "AUTO" konumuna alın ve alet üzerindeki kablosuz çalıştırma düğmesine tekrar basın.

**NOT:** Elektrikli süpürge bir gecikmeyle başlar/durur. Elektrikli süpürge, aletin anahtarla çalıştırıldığını algıladığında bir gecikme söz konusu olur.

**NOT:** Kablosuz ünitesinin iletim mesafesi konum ve çevre şartlarına bağlı olarak değişebilir.

**NOT:** Tek bir elektrikli süpürgeye iki veya daha fazla alet kaydedildiğinde başka bir kullanıcı kablosuz çalıştırma işlevini kullandığından anahtar tetiği çekmeseniz bile elektrikli süpürge çalışmaya başlayabilir.

## Kablosuz çalıştırma lambası durumunun açıklanması

- **Şek.44:** 1. Kablosuz çalıştırma lambası

Kablosuz çalıştırma lambası kablosuz çalıştırma işlevinin durumunu gösterir. Lamba durumunun anlamı için aşağıdaki tabloya bakın.

Durum	Kablosuz çalıştırma lambası			Açıklama
	Renk	<input type="checkbox"/> Kapalı	<input type="checkbox"/> Yanıp sönmüyor	
Beklemede	Mavi	<input checked="" type="checkbox"/>	2 saat	Elektrikli süpürge kablosuz çalıştırılması kullanılabilir. 2 saat süreyle işlem yapılmazsa lamba otomatik olarak söner.
		<input type="checkbox"/>	Alet çalışırken.	Elektrikli süpürge kablosuz çalıştırılması kullanılabilir ve alet çalışıyor.
Alet kaydı	Yeşil	<input checked="" type="checkbox"/>	20 saniye	Alet kaydı için hazır. Elektrikli süpürge tarafından alet kaydı bekleniyor.
		<input type="checkbox"/>	2 saniye	Alet kaydı tamamlandı. Kablosuz çalıştırma lambası mavi yanıp sönmeye başlar.
Alet kaydının iptal edilmesi	Kırmızı	<input checked="" type="checkbox"/>	20 saniye	Alet kaydının iptali için hazır. Elektrikli süpürge tarafından iptal bekleniyor.
		<input type="checkbox"/>	2 saniye	Alet kaydı iptali tamamlandı. Kablosuz çalıştırma lambası mavi yanıp sönmeye başlar.
Diğer	Kırmızı	<input type="checkbox"/>	3 saniye	Kablosuz ünitesine güç besleniyor ve kablosuz çalıştırma işlevi başlıyor.
		<input type="checkbox"/>	-	Elektrikli süpürge kablosuz çalıştırılması durduruldu.

## Elektrikli süpürge için alet kaydının iptal edilmesi

Elektrikli süpürge için alet kaydını iptal ederken aşağıdaki prosedürü uygulayın.

1. Elektrikli süpürge ve alete bataryaları takın.
2. Elektrikli süpürge üzerindeki bekleme düğmesini "AUTO" konumuna alın.

- **Şek.45:** 1. Bekleme düğmesi

3. Elektrikli süpürge üzerindeki kablosuz çalıştırma düğmesine 6 saniye süreyle basın. Kablosuz çalıştırma lambası yeşil yanıp söner ve daha sonra kırmızı olur. Ondan sonra aletin üzerindeki kablosuz çalıştırma düğmesine aynı şekilde basın.

- **Şek.46:** 1. Kablosuz çalıştırma düğmesi  
2. Kablosuz çalıştırma lambası

İptal başarıyla yapılırsa kablosuz çalıştırma lambaları 2 saniye süreyle kırmızı yanar ve mavi yanıp sönmeye başlar.

**NOT:** Kablosuz çalıştırma lambaları 20 saniye geçtikten sonra kırmızı yanıp sönmeyi keser. Süpürge üzerindeki kablosuz çalıştırma lambası yanıp sönerken aletin üzerindeki kablosuz çalıştırma düğmesine basın. Kablosuz çalıştırma lambası kırmızı yanıp sönmeye kablosuz çalıştırma düğmesine kısa süreli basın ve tekrar basılı tutun.

## Kablosuz çalıştırma işlevi için sorun giderme

Onarım için servise gitmeden önce kontrolleri yapın. Kılavuzda açıklanmayan bir problemle karşılaşırsanız aleti demonte etmeyin. Bunun yerine, Makita Yetkili Servis Merkezlerine başvurun ve daima orijinal Makita yedek parçaları kullanın.

Anormal durum	Olası nedeni (arıza)	Çözümü
Kablosuz çalıştırma lambası yanmıyor/yanıp sönmüyor.	Kablosuz ünitesi alete takılmamış. Kablosuz ünitesi alete hatalı takılmış.	Kablosuz ünitesini doğru takın.
	Kablosuz ünitesinin terminali ve/veya yuva kirlidir.	Kablosuz ünitesinin terminalindeki tozu ve kiri hafifçe silin ve yuvayı temizleyin.
	Aletin üzerindeki kablosuz çalıştırma düğmesine basılmamış.	Aletin üzerindeki kablosuz çalıştırma düğmesine kısa süreyle basın.
	Elektrikli süpürge üzerindeki bekleme düğmesi "AUTO" konumuna alınmamış.	Elektrikli süpürge üzerindeki bekleme düğmesini "AUTO" konumuna alın.
	Güç beslemesi yok	Alete ve elektrikli süpürgeye güç besleyin.
Alet kaydı / alet kaydı iptali başarıyla tamamlanamıyor.	Kablosuz ünitesi alete takılmamış. Kablosuz ünitesi alete hatalı takılmış.	Kablosuz ünitesini doğru takın.
	Kablosuz ünitesinin terminali ve/veya yuva kirlidir.	Kablosuz ünitesinin terminalindeki tozu ve kiri hafifçe silin ve yuvayı temizleyin.
	Elektrikli süpürge üzerindeki bekleme düğmesi "AUTO" konumuna alınmamış.	Elektrikli süpürge üzerindeki bekleme düğmesini "AUTO" konumuna alın.
	Güç beslemesi yok	Alete ve elektrikli süpürgeye güç besleyin.
	Hatalı çalışma	Kablosuz çalıştırma düğmesine kısa süreyle basın ve alet kaydı/iptal prosedürlerini yeniden uygulayın.
	Alet ve elektrikli süpürge birbirlerinden uzakta (iletim aralığının dışında).	Aleti ve elektrikli süpürgeyi birbirlerine yaklaştırın. Maksimum iletim mesafesi yaklaşık 10 m'dir, ancak şartlara bağlı olarak değişebilir.
	Alet kaydı/iptalini tamamlamadan önce: - Alet üzerindeki anahtar tetik çekilmiş veya; - Elektrikli süpürge üzerindeki güç düğmesine basılmış.	Kablosuz çalıştırma düğmesine kısa süreyle basın ve alet kaydı/iptal prosedürlerini yeniden uygulayın.
	Alet veya elektrikli süpürge için alet kaydı prosedürleri tamamlanmamış.	Alet ve elektrikli süpürge için alet kaydı prosedürlerini aynı zamanda uygulayın.
Elektrikli süpürge, aletin anahtarla çalıştırılması ile birlikte çalışmıyor.	Kablosuz ünitesi alete takılmamış. Kablosuz ünitesi alete hatalı takılmış.	Kablosuz ünitesini doğru takın.
	Kablosuz ünitesinin terminali ve/veya yuva kirlidir.	Kablosuz ünitesinin terminalindeki tozu ve kiri hafifçe silin ve yuvayı temizleyin.
	Aletin üzerindeki kablosuz çalıştırma düğmesine basılmamış.	Kablosuz çalıştırma düğmesine kısa süreli basın ve kablosuz çalıştırma lambasının mavi yanıp söndüğünü kontrol edin.
	Elektrikli süpürge üzerindeki bekleme düğmesi "AUTO" konumuna alınmamış.	Elektrikli süpürge üzerindeki bekleme düğmesini "AUTO" konumuna alın.
	Elektrikli süpürgeye 10'dan fazla alet kayıtlı.	Alet kaydını yeniden yapın. Elektrikli süpürgeye 10'dan fazla alet kayıtlı ise ilk önce kaydedilen alet otomatik olarak iptal edilir.
	Elektrikli süpürge tüm alet kayıtlarını silmiş.	Alet kaydını yeniden yapın.
	Güç beslemesi yok	Alete ve elektrikli süpürgeye güç besleyin.
	Alet ve elektrikli süpürge birbirlerinden uzakta (iletim aralığının dışında).	Aleti ve elektrikli süpürgeyi birbirlerine yaklaştırın. Maksimum iletim mesafesi yaklaşık 10 m'dir, ancak şartlara bağlı olarak değişebilir.
Elektrikli süpürge, aletin anahtar tetiği çekilmeden çalışıyor.	Diğer kullanıcılar, elektrikli süpürgeyi kendi aletleriyle kullanıyor.	Diğer aletlerin kablosuz çalıştırma düğmesini kapatın veya diğer aletlerin alet kaydını iptal edin.
	Yüksek güçte radyo dalgaları üreten diğer cihazlardan radyo paraziti.	Aleti ve elektrikli süpürgeyi, Wi-Fi cihazları ve mikrodalga fırınlar gibi cihazlardan uzak tutun.

## BAKIM

**⚠DİKKAT:** Muayene ya da bakım yapmadan önce aletin kapalı ve batarya kartuşunun çıkartılmış olduğundan daima emin olun.

**⚠DİKKAT:** Alt koruma sisteminin işleyişine engel olabilecek birikmiş talaş olmadığından emin olmak için üst ve alt koruma parçalarını temizleyin. Kirliliği bir koruma sistemi doğru işleyişini sınırlandırabilir, bu da ciddi kişisel yaralanmalara neden olabilir. Bu temizliği gerçekleştirmenin en etkili yolu basınçlı hava kullanmaktır. **Koruma parçalarından dışarıya toz üförlüyorsa, uygun göz koruyucu ve solunum korumasını kullandığınızdan emin olun.**

**⚠DİKKAT:** Her kullanımdan sonra aletin üzerindeki testere tozunu silerek temizleyin. İnce testere tozu aletin içine girerek arıza veya yangına neden olabilir.

**ÖNEMLİ NOT:** Benzin, tiner, alkol ve benzeri maddeleri kesinlikle kullanmayın. Renk değişimi, deformasyon veya çatlaklar oluşabilir.

Aleti EMNİYETLİ ve ÇALIŞMAYA HAZIR durumda tutmak için onarımlar, başka her türlü bakım ve ayarlamalar daima Makita yedek parçaları kullanılarak Makita yetkili servis merkezleri veya Fabrika'nın Servis Merkezleri tarafından yapılmalıdır.

## 0°-kesim veya 45°-kesim hassasiyetinin ayarlanması

Bu ayarlama fabrikada yapılmıştır. Fakat bozursa, aşağıdaki prosedüre göre ayarlama yapabilirsiniz.

1. Aletin önündeki ve arkasındaki sıkıştırma vidalarını eğim açısı değiştirilebilecek şekilde gevşetin. 45°-kesim hassasiyetini ayarlayacaksanız durdurucuyu 0° - 45° eğim açısı konumuna ayarlayın.  
► **Şek.47:** 1. Durdurucu
2. Bir üçgen cetvel kullanarak, ayar vidasını altıgen anahtarla döndürüp kaidenin sunta kesme bıçağına dik olmasını ya da 45° eğim yapmasını sağlayın. Ayrıca 0° açısını ayarlamak için kare cetvel kullanabilirsiniz.  
► **Şek.48:** 1. Üçgen cetvel  
► **Şek.49:** 1. 0° açısı için ayar vidası 2. 45° açısı için ayar vidası
3. Sıkıştırma vidalarını sıkın ve istenen açının elde edilip edilmediğini kontrol etmek için bir deneme kesimi yapın.

## Paralelliğin ayarlanması

**⚠DİKKAT:** Paralelliği doğru tutun. Aksi takdirde sunta kesme bıçağı kılavuz rayına geçebilir ve hasarlı kılavuz rayı yaralanmaya neden olabilir.

Bu ayarlama fabrikada yapılmıştır. Fakat bozursa, aşağıdaki prosedüre göre ayarlama yapabilirsiniz.

1. Aleti maksimum kesim derinliğine ayarlayın.
2. Tüm kolların ve vidaların sıkı olduğundan emin olun.
3. Şekilde gösterilen vidaları gevşetin.
4. Alt koruma parçasını açarken, kaidenin arkasını hareket ettirerek A ve B mesafelerinin eşit olmasını sağlayın.  
► **Şek.50:** 1. Vida 2. Kaide
5. Vidaları sıkılayın ve paralelliği kontrol etmek için bir deneme kesimi yapın.

## İSTEĞE BAĞLI AKSESUARLAR

**⚠DİKKAT:** Bu aksesuarlar ve ek parçalar bu el kitabında belirtilen Makita aletiniz ile kullanılmak için tavsiye edilmektedir. Herhangi başka bir aksesuar ya da ek parça kullanılması insanlar için bir yaralanma riski getirebilir. Aksesuarları ya da ek parçaları yalnızca belirtilmiş olan kullanım amaçlarına uygun olarak kullanın.

Bu aksesuarlarla ilgili daha fazla bilgiye ihtiyaç duyarsanız bulunduğunuz yerdeki yetkili Makita servisine başvurun.

- Sunta kesme bıçağı
- Biçme sınırlayıcısı (Kılavuz cetvel)
- Kanca
- Kılavuz rayı
- Eğim kılavuzu
- Klemp
- Plaka
- Kauçuk plaka
- Konum plakası
- Toz toplama başlığı
- Altıgen anahtar
- Kablosuz ünitesi (DHS783 için)
- Orijinal Makita batarya ve şarj aleti

**NOT:** Listedeki parçaların bazıları alet paketi içerisinde standart aksesuar olarak dahil edilmiş olabilir. Bunlar ülkeden ülkeye farklılık gösterebilir.

**Makita Europe N.V.** Jan-Baptist Vinkstraat 2,  
3070 Kortenberg, Belgium

**Makita Corporation** 3-11-8, Sumiyoshi-cho,  
Anjo, Aichi 446-8502 Japan

[www.makita.com](http://www.makita.com)

885699-997  
EN, FR, DE, IT, NL,  
ES, PT, DA, EL, TR  
20190108