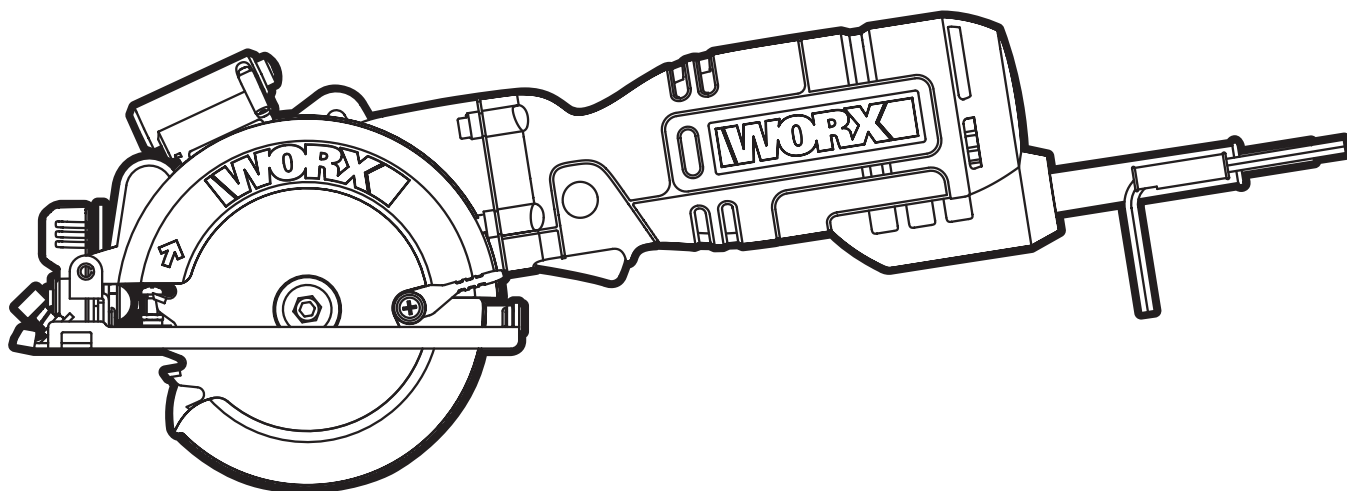


WORX

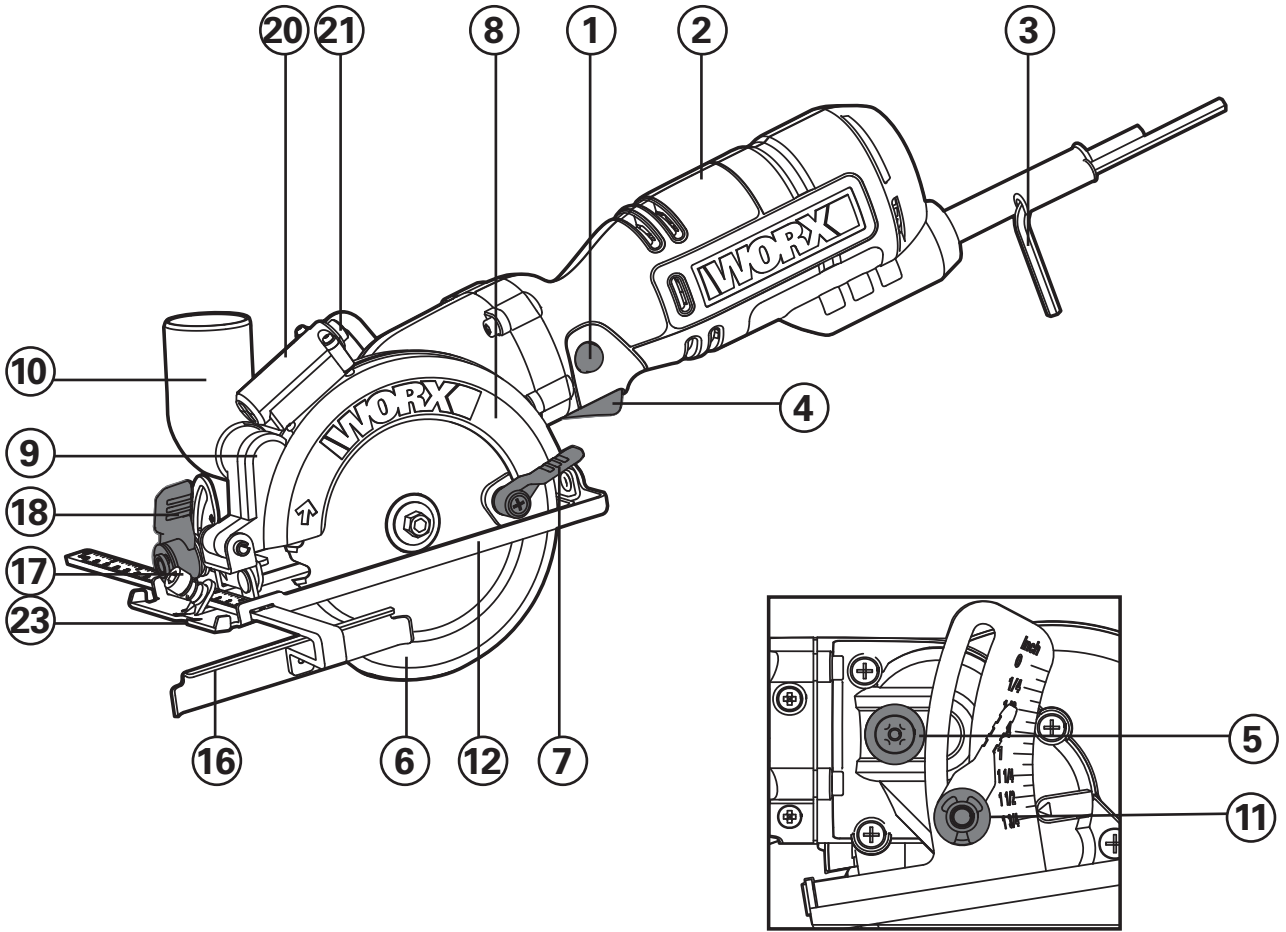


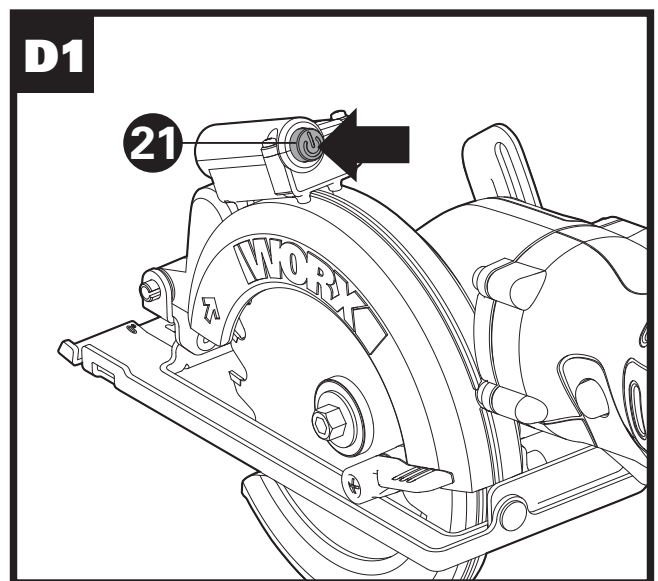
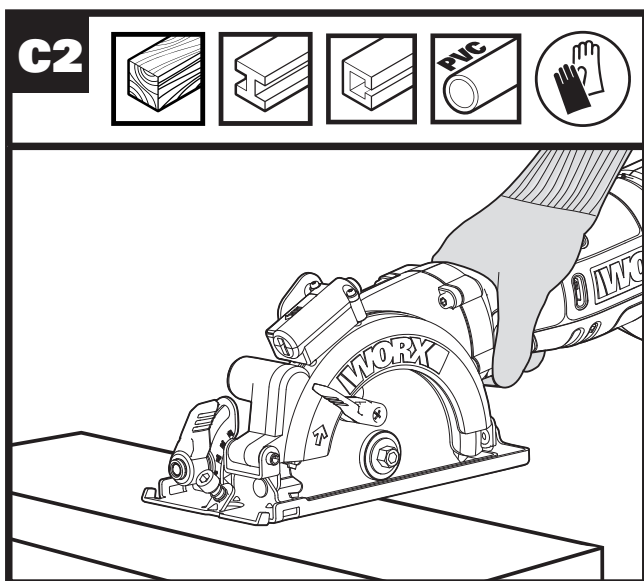
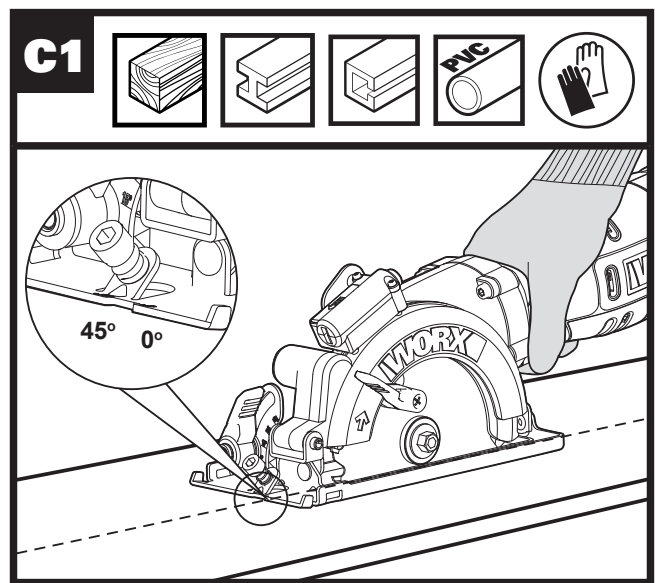
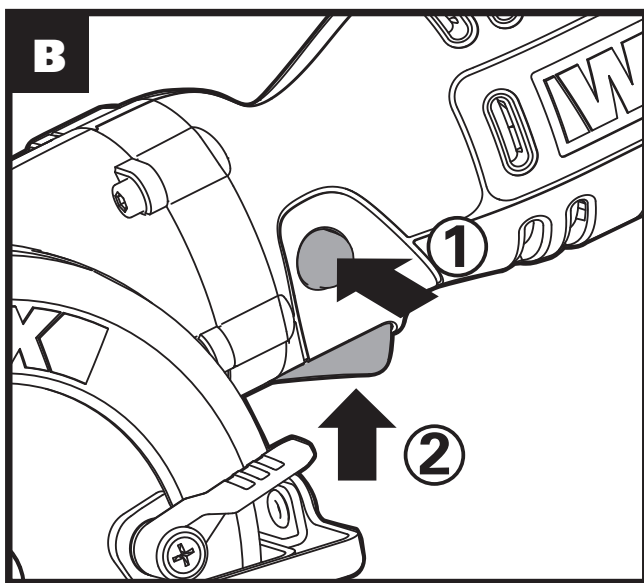
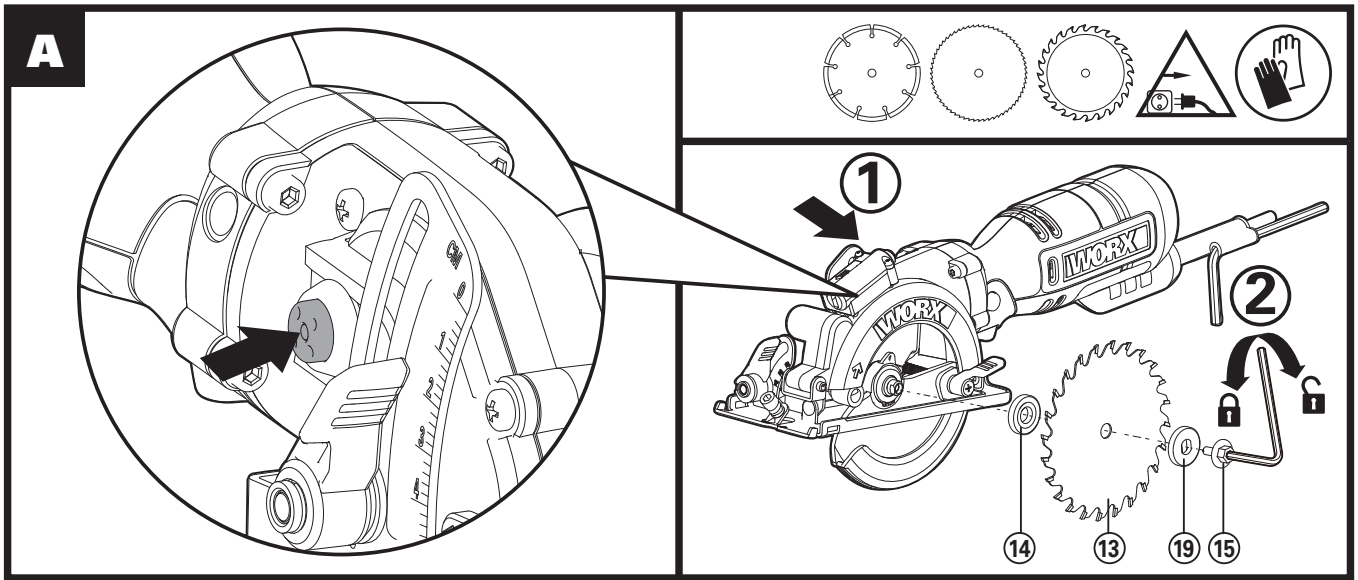
WORXSAW^{XL}

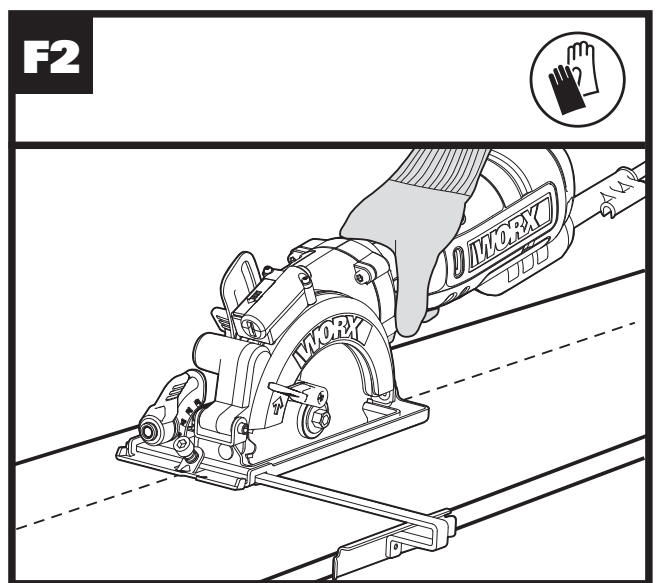
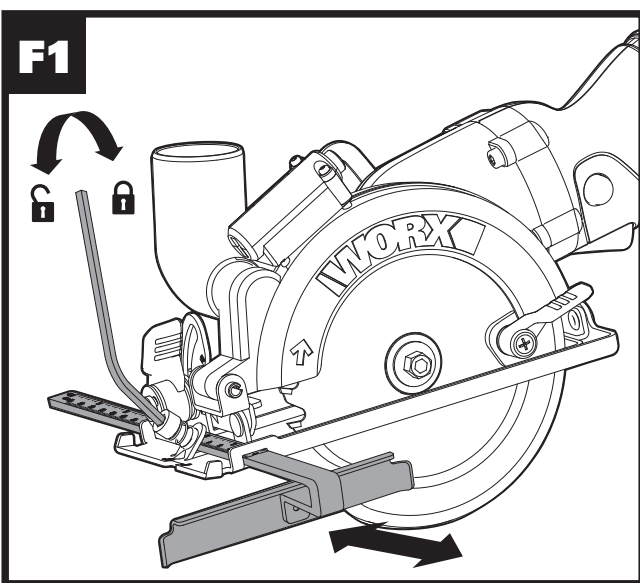
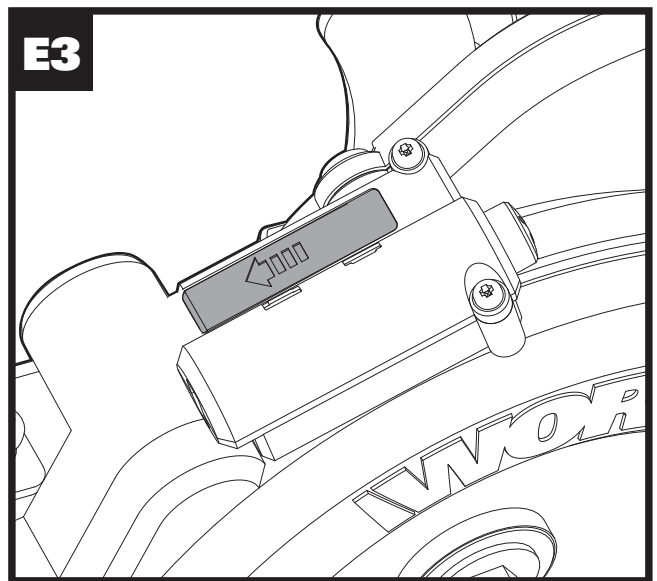
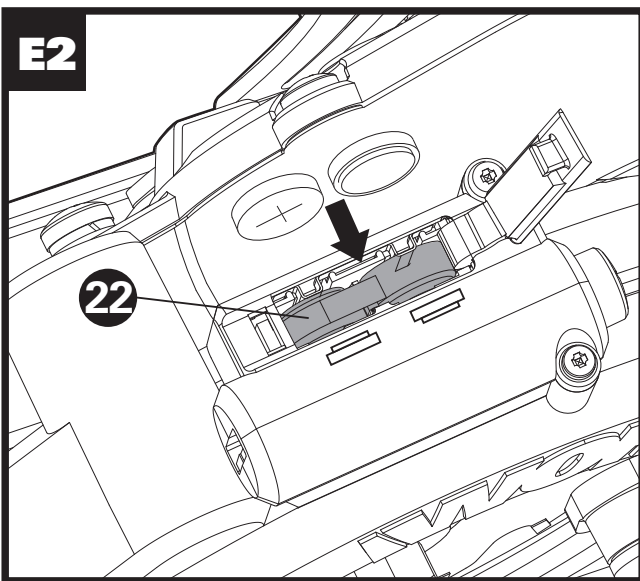
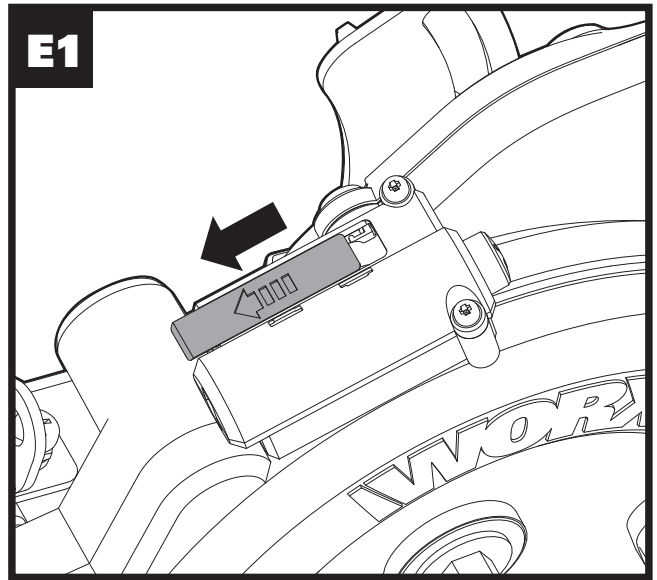
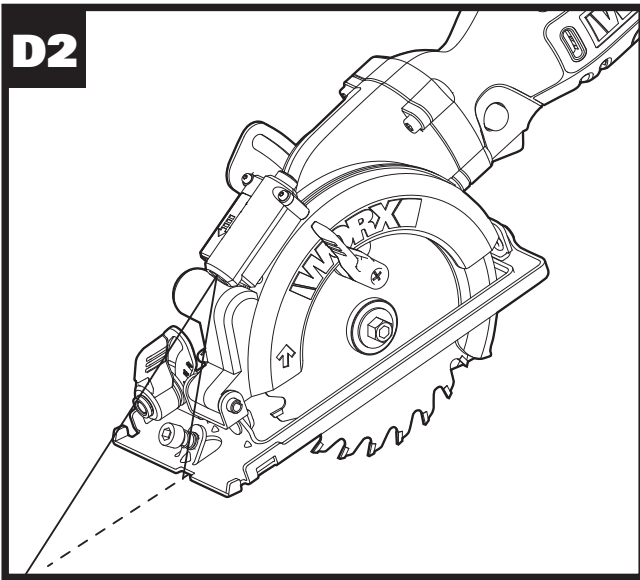
Electric Circular Saw	EN	P08
Elektrische Kreissäge	D	P20
Scie Circulaire Électrique	F	P34
Motosega Circolare	I	P48
Sierra Circular Eléctrica	ES	P61
Elektrische Cirkelzaag	NL	P74
Pilarka Elektryczna	PL	P87
Elektromos Körfűrész	HU	P100
Ferăstrău Circular Electric	RO	P114
Elektrická Okružní Pila	CZ	P127
Elektrická Okružná Píla	SK	P140

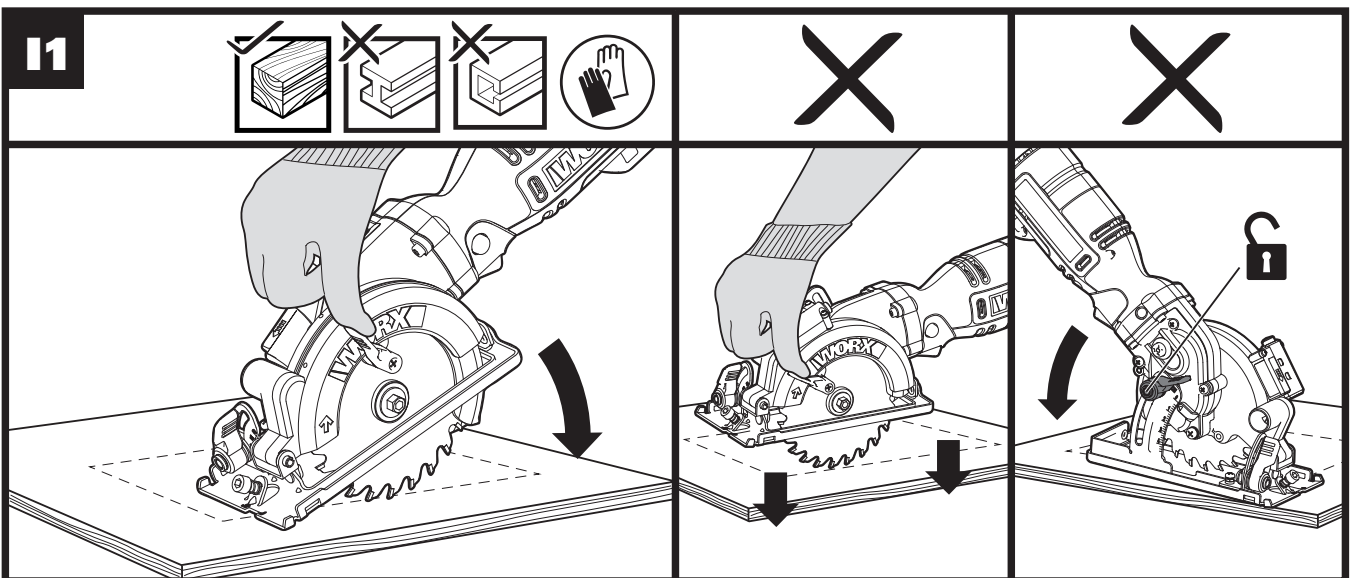
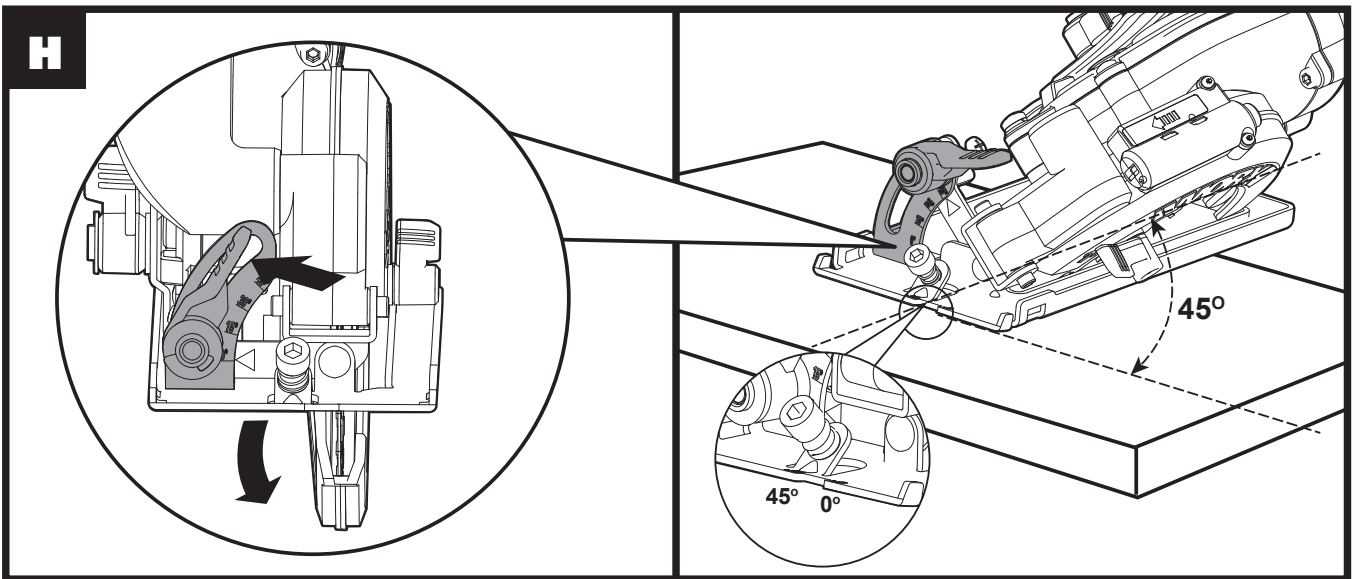
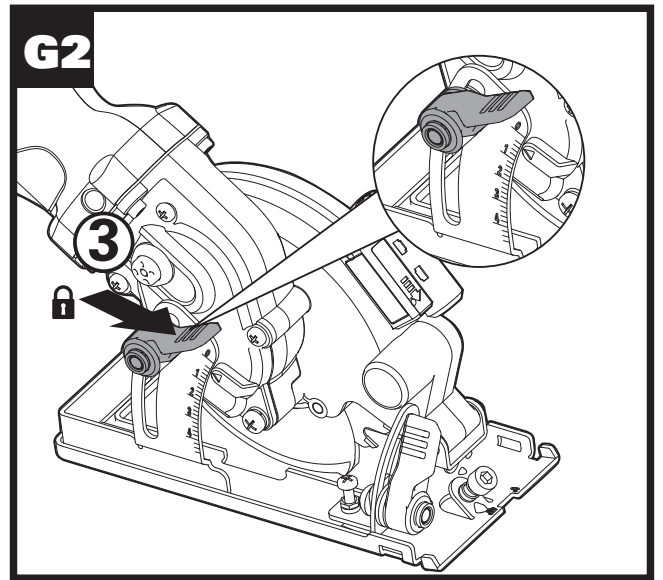
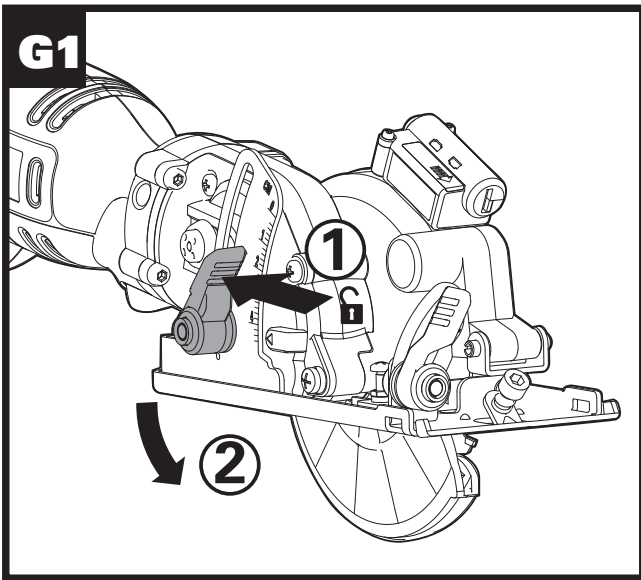
WX427

Original instructions	EN
Originalbetriebsanleitung	D
Notice originale	F
Istruzioni originali	I
Manual original	ES
Oorspronkelijke gebruiksaanwijzing	NL
Tłumaczenie oryginalnych instrukcji	PL
Eredeti használati utasítás	HU
Traducerea instrucțiunilor inițiale	RO
Překlad původních pokynů	CZ
Preklad pôvodných pokynov	SK

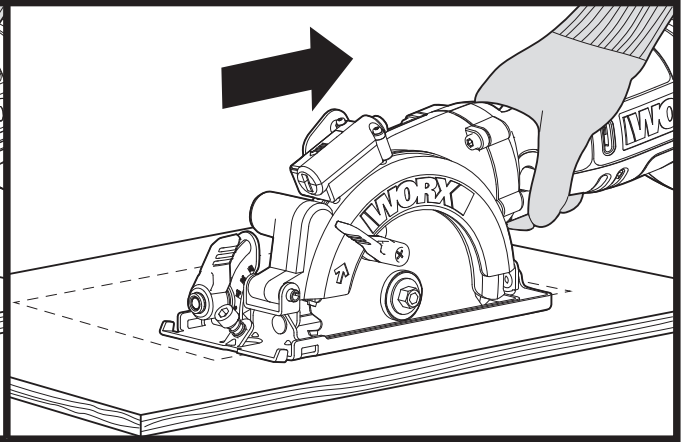
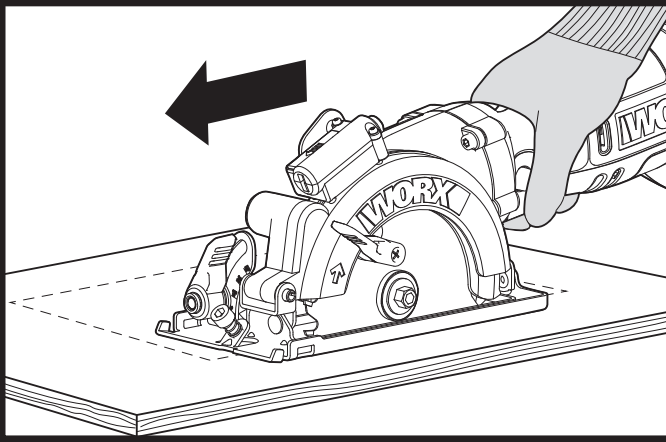
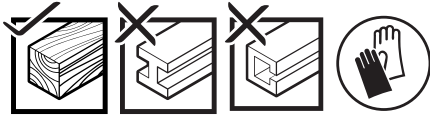




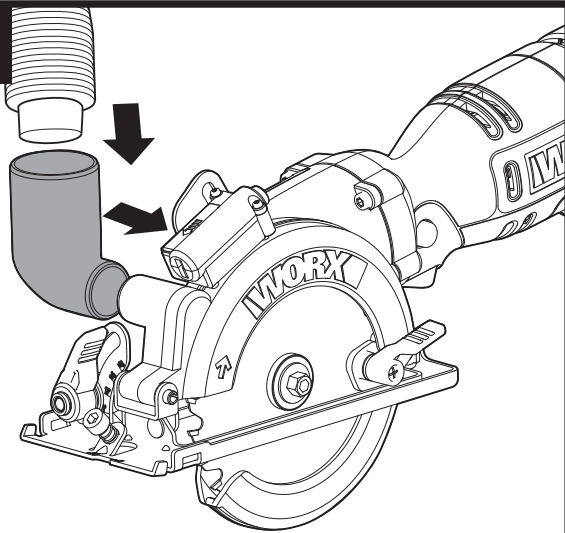




12



J




-
- 1. LOCK OFF BUTTON**
 - 2. SOFT GRIP HANDLE**
 - 3. HEX KEY**
 - 4. ON/OFF SWITCH**
 - 5. SPINDLE LOCK BUTTON**
 - 6. LOWER BLADE GUARD**
 - 7. LOWER GUARD LEVER**
 - 8. FIXED UPPER GUARD**
 - 9. DUST EXTRACTION OUTLET**
 - 10. VACUUM ADAPTER**
 - 11. DEPTH ADJUSTMENT LEVER**
 - 12. BASE PLATE**
 - 13. SAW BLADE (See Fig. A)**
 - 14. INNER FLANGE (See Fig. A)**
 - 15. BLADE BOLT (See Fig. A)**
 - 16. PARALLEL GUIDE**
 - 17. PARALLEL GUIDE CLAMPING FIXTURE**
 - 8 18. BEVEL ADJUSTMENT LEVER**
 - 19. OUTER FLANGE (See Fig. A)**
 - 20. LASER**
 - 21. LASER ON-OFF SWITCH**
 - 22. LASER BATTERIES (Two) (See Fig. E2)**
 - 23. BLADE ALIGNMENT INDICATOR**
-

Not all the accessories illustrated or described are included in standard delivery.

TECHNICAL DATA

Type **WX427 (4 - designation of machinery, representative of Saw)**

Voltage		230-240V ~ 50Hz
Rated power		710W
No load (rated) speed		3700/min
Blade size	TCT blade	120mmx1.2mmx9.5mmx24T
	HSS blade	115mmx1.2mmx9.5mmx60T
	Diamond disc	115mmx1.6mmx9.5mmx60G
Cutting capacity	Cutting Depth at 90°	46mm
	Cutting Depth at 45°	30mm
Arbor Size		9.5mm
Recommended maximum material thickness	Wood	46mm
	Aluminum	2.5mm
	PVC pipe (diameter)	46mm
	Tile	12mm
	Sheet steel	0.5mm
Spindle thread size		M5
Saw blade thickness	TCT blade	0.8mm
	HSS blade	0.65mm
	Diamond disc	1mm
Laser battery model no.		LR44 1.5V
Protection class		 /II
Bare tool weight		2.3kg

9

NOISE INFORMATION

A weighted sound pressure	L_{pA} : 76dB(A)
A weighted sound power	L_{wA} : 87dB(A)
K_{pA} & K_{wA}	3.0dB(A)

Wear ear protection.

VIBRATION INFORMATION

Vibration total values (triax vector sum) determined according to EN 60745:

Vibration emission value:	Cutting wood: $a_{h,W} = 6.82\text{m/s}^2$
	Uncertainty $K = 1.5\text{m/s}^2$
	Cutting metal: $a_{h,M} = 5.63\text{m/s}^2$
	Uncertainty $K = 1.5\text{m/s}^2$
	Cutting tile: $a_h = 6.91\text{m/s}^2$
	Uncertainty $K = 1.5\text{m/s}^2$

The declared vibration total value may be used for comparing one tool with another, and may also be used in a preliminary assessment of exposure.

⚠ WARNING: The vibration emission value during actual use of the power tool can differ from the declared value depending on the ways in which the tool is used dependant on the following examples and other variations on how the tool is used:

How the tool is used and the materials being cut or drilled.

The tool being in good condition and well maintained

The use the correct accessory for the tool and ensuring it is sharp and in good condition.

The tightness of the grip on the handles and if any anti vibration accessories are used.

And the tool is being used as intended by its design and these instructions.

This tool may cause hand-arm vibration syndrome if its use is not adequately managed

10

⚠ WARNING: To be accurate, an estimation of exposure level in the actual conditions of use should also take account of all parts of the operating cycle such as the times when the tool is switched off and when it is running idle but not actually doing the job. This may significantly reduce the exposure level over the total working period.

Helping to minimise your vibration exposure risk.

ALWAYS use sharp chisels, drills and blades.

Maintain this tool in accordance with these instructions and keep well lubricated (where appropriate).

If the tool is to be used regularly then invest in anti vibration accessories.

Avoid using tools in temperatures of 10°C or less.


Plan your work schedule to spread any high vibration tool use across a number of days.

ACCESSORIES

TCT blade: 24T for wood (WA5046)	1
HSS blade: 60T for thin sheet steel and aluminum, PVC pipe, plastic (WA5047)	1
Diamond disc: 60G for concrete, marble, tile , cement backerboard (WA5048)	1
Parallel guide	1
Vacuum adaptor	1
Hex key	1

We recommend that you purchase your accessories from the same store that sold you the tool. Use good quality accessories marked with a well-known brand name. Choose the type according to the work you intend to undertake. Refer to the accessory packaging for further details. Store personnel can assist you and offer advice.

SAFETY WARNINGS FOR ALL SAWS

- a)  **DANGER: Keep hands away from cutting area and the blade.** If both hands are holding the saw, they cannot be cut by the blade.
- b) **Do not reach underneath the workpiece.** The guard cannot protect you from the blade below the workpiece.
- c) **Adjust the cutting depth to the thickness of the workpiece.** Less than a full tooth of the blade teeth should be visible below the workpiece.
- d) **Never hold piece being cut in your hands or across your leg. Secure the workpiece to a stable platform.** It is important to support the work properly to minimize body exposure, blade binding, or loss of control.
- e) **Hold the power tool by insulated gripping surfaces only, when performing an operation where the cutting tool may contact hidden wiring or its own cord.** Contact with a "live" wire will also make exposed metal parts of the power tool "live" and could give the operator an electric shock.
- f) **When ripping always use a rip fence or straight edge guide.** This improves the accuracy of cut and reduces the chance of blade binding.
- g) **Always use blades with correct size and shape (diamond versus round) of arbor holes.** Blades that do not match the mounting hardware of the saw will run eccentrically, causing loss of control.
- h) **Never use damaged or incorrect blade washers or bolt.** The blade washers and bolt were specially designed for your saw, for optimum performance and safety of operation.

FURTHER SAFETY INSTRUCTIONS FOR ALL SAWS

Kickback causes and related warnings

- Kickback is a sudden reaction to a pinched, bound or misaligned saw blade, causing an

uncontrolled saw to lift up and out of the workpiece toward the operator.

- When the blade is pinched or bound tightly by the kerf closing down, the blade stalls and the motor reaction drives the unit rapidly back toward the operator.
- If the blade becomes twisted or misaligned in the cut, the teeth at the back edge of the blade can dig into the top surface of the wood causing the blade to climb out of the kerf and jump back toward the operator.

Kickback is the result of saw misuse and/or incorrect operating procedures or conditions and can be avoided by taking proper precautions as given below.

- a) **Maintain a firm grip on the saw and position your arms to resist kickback forces. Position your body to either side of the blade, but not in line with the blade.** Kickback could cause the saw to jump backwards, but kickback forces can be controlled by the operator, if proper precautions are taken.
- b) **When blade is binding, or when interrupting a cut for any reason, release the trigger and hold the saw motionless in the material until the blade comes to a complete stop. Never attempt to remove the saw from the work or pull the saw backward while the blade is in motion or kickback may occur.** Investigate and take corrective actions to eliminate the cause of blade binding.
- c) **When restarting a saw in the workpiece, center the saw blade in the kerf and check that saw teeth are not engaged into the material.** If saw blade is binding, it may walk up or kickback from the workpiece as the saw is restarted.
- d) **Support large panels to minimize the risk of blade pinching and kickback.** Large panels tend to sag under their own weight. Supports must be placed under the panel on both sides, near the line of cut and near the edge of the panel.
- e) **Do not use dull or damaged blades.** Unsharpened or improperly set blades produce narrow kerf causing excessive friction, blade binding and kickback.

- f) Blade depth and bevel adjusting locking levers must be tight and secure before making cut.** If blade adjustment shifts while cutting, it may cause binding and kickback.
- g) Use extra caution when sawing into existing walls or other blind areas.** The protruding blade may cut objects that can cause kickback.

SAFETY INSTRUCTIONS FOR SAWS (CIRCULAR SAW WITH PIVOTING LOWER GUARD)

Lower Guard Function

- a) Check lower guard for proper closing before each use. Do not operate the saw if lower guard does not move freely and close instantly. Never clamp or tie the lower guard into the open position.** If saw is accidentally dropped, lower guard may be bent. Raise the lower guard with the retracting handle and make sure it moves freely and does not touch the blade or any other part, in all angles and depths of cut.
- b) Check the operation of the lower guard spring. If the guard and the spring are not operating properly, they must be serviced before use.** Lower guard may operate sluggishly due to damaged parts, gummy deposits, or a build-up of debris.
- c) Lower guard may be retracted manually only for special cuts such as "plunge cuts" and "compound cuts." Raise lower guard by retracting handle and as soon as blade enters the material, the lower guard must be released.** For all other sawing, the lower guard should operate automatically.
- d) Always observe that the lower guard is covering the blade before placing saw down on bench or floor.** An unprotected, coasting blade will cause the saw to walk backwards, cutting whatever is in its path. Be aware of the time it takes for the blade to stop after switch is released.

ADDITIONAL SAFETY RULES FOR YOUR CIRCULAR SAW

1. Always wear a dust mask, hearing protection and eye protection.
2. Only use saw blades recommended in the specification.
3. Use only blade diameter(s) in accordance with the markings.

ADDITIONAL SAFETY RULES FOR YOUR CUTTING-OFF MACHINES

- a) The guard provided with the tool must be securely attached to the power tool and positioned for maximum safety, so the least amount of wheel is exposed towards the operator. Position yourself and bystanders away from the plane of the rotating wheel.** The guard helps to protect operator from broken wheel fragments and accidental contact with wheel.
- b) Use only bonded reinforced or diamond cut-off wheels for your power tool.** Just because an accessory can be attached to your power tool, it does not assure safe operation.
- c) The rated speed of the accessory must be at least equal to the maximum speed marked on the power tool.** Accessories running faster than their rated speed can break and fly apart.
- d) Wheels must be used only for recommended applications. For example: do not grind with the side of cut-off wheel.** Abrasive cut-off wheels are intended for peripheral grinding, side forces applied to these wheels may cause them to shatter.
- e) Always use undamaged wheel flanges that are of correct diameter for your selected wheel.** Proper wheel flanges support the wheel thus reducing the possibility of wheel breakage.
- f) Do not use worn down reinforced wheels from larger power tools.**

Wheels intended for a larger power tool are not suitable for the higher speed of a smaller tool and may burst.

- g) The outside diameter and the thickness of your accessory must be within the capacity rating of your power tool.** Incorrectly sized accessories cannot be adequately guarded or controlled.
- h) The arbour size of wheels and flanges must properly fit the spindle of the power tool.** Wheels and flanges with arbour holes that do not match the mounting hardware of the power tool will run out of balance, vibrate excessively and may cause loss of control.
- i) Do not use damaged wheels. Before each use, inspect the wheels for chips and cracks. If power tool or wheel is dropped, inspect for damage or install an undamaged wheel. After inspecting and installing the wheel, position yourself and bystanders away from the plane of the rotating wheel and run the power tool at maximum no load speed for one minute.** Damaged wheels will normally break apart during this test time.
- j) Wear personal protective equipment. Depending on application, use face shield, safety goggles or safety glasses. As appropriate, wear dust mask, hearing protectors, gloves and shop apron capable of stopping small abrasive or workpiece fragments.** The eye protection must be capable of stopping flying debris generated by various operations. The dust mask or respirator must be capable of filtering particles generated by your operation. Prolonged exposure to high intensity noise may cause hearing loss.
- k) Keep bystanders a safe distance away from work area. Anyone entering the work area must wear personal protective equipment.** Fragments of workpiece or of a broken wheel may fly away and cause injury beyond immediate area of operation.
- l) Hold the power tool by insulated**

gripping surfaces only, when performing an operation where the cutting accessory may contact hidden wiring or its own cord. Cutting accessory contacting a “live” wire may make exposed metal parts of the power tool “live” and could give the operator an electric shock.

- m) Position the cord clear of the spinning accessory.** If you lose control, the cord may be cut or snagged and your hand or arm may be pulled into the spinning wheel.
- n) Never lay the power tool down until the accessory has come to a complete stop.** The spinning wheel may grab the surface and pull the power tool out of your control.
- o) Do not run the power tool while carrying it at your side.** Accidental contact with the spinning accessory could snag your clothing, pulling the accessory into your body.
- p) Regularly clean the power tool’s air vents.** The motor’s fan will draw the dust inside the housing and excessive accumulation of powdered metal may cause electrical hazards.
- q) Do not operate the power tool near flammable materials.** Sparks could ignite these materials.
- r) Do not use accessories that require liquid coolants.** Using water or other liquid coolants may result in electrocution or shock.

Kickback and related warnings

Kickback is a sudden reaction to a pinched or snagged rotating wheel. Pinching or snagging causes rapid stalling of the rotating wheel which in turn causes the uncontrolled power tool to be forced in the direction opposite of the wheel’s rotation at the point of the binding. For example, if an abrasive wheel is snagged or pinched by the workpiece, the edge of the wheel that is entering into the pinch point can dig into the surface of the material causing the wheel to climb out or kick out. The wheel may either jump toward or away from the operator, depending on direction of the wheel’s movement at the point of pinching.

Abrasive wheels may also break under these conditions.

Kickback is the result of power tool misuse and/or incorrect operating procedures or conditions and can be avoided by taking proper precautions as given below.

- a) Maintain a firm grip on the power tool and position your body and arm to allow you to resist kickback forces. Always use auxiliary handle, if provided, for maximum control over kickback or torque reaction during start-up.** The operator can control torque reactions or kickback forces, if proper precautions are taken.
- b) Never place your hand near the rotating accessory.** Accessory may kickback over your hand.
- c) Do not position your body in line with the rotating wheel.** Kickback will propel the tool in direction opposite to the wheel's movement at the point of snagging.
- d) Use special care when working Corners, sharp edges etc. Avoid bouncing and snagging the accessory.** Corners, sharp edges or bouncing have a tendency to snag the rotating accessory and cause loss of control or kickback.
- e) Do not attach a saw chain, woodcarving blade, segmented diamond wheel with a peripheral gap greater than 10 mm or toothed saw blade.** Such blades create frequent kickback and loss of control.
- f) Do not "jam" the wheel or apply excessive pressure. Do not attempt to make an excessive depth of cut.** Overstressing the wheel increases the loading and susceptibility to twisting or binding of the wheel in the cut and the possibility of kickback or wheel breakage.
- g) When wheel is binding or when interrupting a cut for any reason, switch off the power tool and hold the power tool motionless until the wheel Comes to a complete stop. Never attempt to remove the wheel from the cut while the wheel is in motion otherwise kickback may occur.** Investigate and take corrective action to


eliminate the cause of wheel binding.

- h) Do not restart the cutting operation in the workpiece. Let the wheel reach full speed and carefully re-enter the cut.** The wheel may bind, walk up or kickback if the power tool is restarted in the workpiece.
- i) Support panels or any oversized workpiece to minimize the risk of wheel pinching and kickback.** Large workpieces tend to sag under their own weight. Supports must be placed under the workpiece near the line of cut and near the edge of the workpiece on both sides of the wheel.
- j) Use extra caution when making a "pocket cut" into existing walls or other blind areas.** The protruding wheel may cut gas or water pipes, electrical wiring or objects that can cause kickback.

ADDITIONAL SAFETY RULES:

1. Always wear a dust mask.

GENERAL SAFETY WARNINGS FOR YOUR LASER

 **WARNING: Read all safety warnings and all instructions.** Failure to follow the warnings and instructions may result in serious injury.

Save all warnings and instructions for future reference.

These lasers do not normally present an optical hazard although staring at the beam may cause flash blindness.

Do not stare directly at the laser beam. A hazard may exist if you deliberately stare into the beam, please observe all safety rules as follows:

- 1. The laser shall be used and maintained in accordance with the manufacturer's instructions.**
- 2. Never aim the beam at any person or an object other than the work piece.**
- 3. The laser beam shall not be**

deliberately aimed at another person and shall be prevented from being directed towards the eye of a person for longer than 0.25 seconds area.

- 4. Always ensure the laser beam is aimed at a sturdy work piece without reflective surfaces, e.g. wood or rough-coated surfaces are acceptable.**

Bright shiny reflective sheet steel or similar is not suitable for laser applications as the reflective surface may direct the laser beam back at the operator.


- 5. Do not change the laser device with a different type.** The manufacturer or an authorized agent must carry out repairs.
- 6. CAUTION:** Use of controls or adjustments other than those specified herein may result in hazardous radiation exposure.








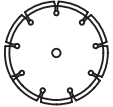
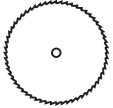

ADDITIONAL SAFETY WARNING FOR CLASS 2 LASER

The laser device fitted to this tool is CLASS 2 with a maximum radiation of 1.5mW and 650nm wavelength.

CLASS 2 LASER RADIATION, DO NOT STARE INTO BEAM

SYMBOLS

	To reduce the risk of injury, user must read instruction manual
	Double insulation
	Warning
	Wear ear protection
	Wear eye protection
	Wear dust mask
	Do not stare into beam
	Laser radiation
	Waste electrical products must not be disposed of with household waste. Please recycle where facilities exist. Check with your local authorities or retailer for recycling advice.
	Before any work on the machine itself, pull the mains plug from the socket outlet.
	Wear protective gloves

	Wood
	Aluminium
	Metal
	Incorrect
	Correct
	Lock
	Unlock
	Diamond disc
	HSS blade
	TCT blade

OPERATING INSTRUCTIONS



NOTE: Before using the tool, read the instruction book carefully.

INTENDED USE:

The tool is intended for ripping and cross-cutting wood and other materials in straight cutting lines, while resting firmly on the work piece.

ASSEMBLY AND OPERATION

Action	Figure
Saw Blade Assembly And Removing	See Fig. A
Safety On/Off Switch	See Fig. B
Cross And Rip Cutting	See Fig. C1, C2
Using The Laser Light Feature	See Fig. D1, D2
Replacing Laser Batteries	See Fig. E1-E3
Parallel Guide	See Fig. F1, F2
Cutting Depth Adjusting	See Fig. G1, G2
Cutting Angle Adjusting	See Fig. H
Pocket Cutting	See Fig. I1, I2
Sawdust Removal	See Fig. J

WORKING HINTS FOR YOUR TOOL

If your power tool becomes too hot, please run your circular saw no load for 2-3 minutes to cool the motor. Avoid prolonged usage at very low speeds.

Protect saw blades against impact and shock. Cutting with extreme force can significantly reduce the performance capability of the tool and reduce the service life of the saw blade. Sawing performance and cutting quality depend essentially on the condition and the tooth count of the saw blade. Therefore, use only sharp saw blades that are suited for the material being cut.

Choice of blades: 24 teeth for general work, approx. 40 teeth for finer cuts, more than 40 teeth for very fine cuts into delicate surfaces, diamond for tile, cement board, etc.

Only use saw blades recommended.

MAINTAIN TOOLS WITH CARE

Remove the plug from the socket before carrying out any adjustment, servicing or maintenance.

Keep tools sharp and clean for better and safer performance. Follow instructions for lubricating and changing accessories. Inspect tool cords periodically and if damaged, have repaired by authorized service facility. Your power tool requires no additional lubrication or maintenance. There are no user serviceable parts in your power tool. Never use water or chemical cleaners to clean your power tool. Wipe clean with a dry cloth. Always store your power tool in a dry place. Keep the motor ventilation slots clean. Keep all working controls free of dust.

If the supply cord is damaged, it must be replaced by the manufacturer, its service agent or similarly qualified persons in order to avoid a hazard.

Periodically clear dust and chips from guard and base to ensure proper performance.

ENVIRONMENTAL PROTECTION



Waste electrical products must not be disposed of with household waste.

■ Please recycle where facilities exist. Check with your local authorities or retailer for recycling advice.

TROUBLE SHOOTING

Symptom	Possible Causes	Possible Solution
Tool will not start when operating the on/off switch.	Power cord not plugged in. Power cord is broken. Carbon brush has worn down	Check to make sure power cord is connected well into a working outlet. Unplug the power cord. Replace it using a qualified maintenance person. Replace the carbon brush using a qualified maintenance person.
Cutting depth is less than that is set.	Sawdust accumulated at the rear of the base.	Shake out sawdust. Consider connecting a vacuum for dust collection.
Blade spins or slips	Blade is not tightly engaged with the spindle.	Remove the blade, and reassemble it as described in INSTALL/CHANGE THE BLADE section.
Blade will not cut a straight line.	Blade is dull. Blade is not mounted properly. Saw is not being guided properly.	Mount a new, sharp blade on the saw. Check that blade is properly mounted. Use a parallel guide.
18 Blade kicks back when beginning a cut	Blade is not spinning fast enough	Allow the saw blade to reach full speed prior to beginning a cut in the material.

PLUG REPLACEMENT (ONLY FOR REWIRABLE PLUG OF UK & IRELAND)

If you need to replace the fitted plug then follow the instructions below.

IMPORTANT

The wires in the mains lead are colored in accordance with the following code:

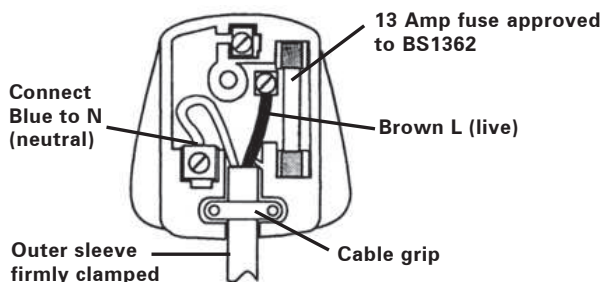
BLUE = NEUTRAL

Brown = Live

As the colors of the wires in the mains lead of this appliance may not correspond with the colored markings identifying the terminals in your plug, proceed as follows. The wire which is colored blue must be connected to the terminal which is marked with N. The wire which is colored brown must be connected to the terminal which is marked with L.

WARNING! Never connect live or neutral wires to the earth terminal of the plug. Only fit an approved 13ABS1363/A plug and the correct rated fuse.

NOTE: If a moulded plug is fitted and has to be removed take great care in disposing of the plug and severed cable, it must be destroyed to prevent engaging into a socket.



DECLARATION OF CONFORMITY

We,
POSITEC Germany GmbH
Konrad-Adenauer-Ufer 37
50668 Köln

Declare that the product,
Description **WORX Electric Circular Saw**
Type **WX427 (4-designation of machinery, representative of Saw)**
Function **Cutting various materials with a rotating toothed blade**

Complies with the following Directives,
2006/42/EC
2004/108/EC
2011/65/EU

Standards conform to:

EN 55014-1
EN 55014-2
EN 61000-3-2
EN 61000-3-3
EN 60745-1
EN 60745-2-5
EN 60745-2-22

The person authorized to compile the technical file,

Name : Russell Nicholson
Address : Positec Power Tools (Europe) Ltd, PO Box 152, Leeds, LS10 9DS, UK

A handwritten signature in black ink is positioned to the left of the CE mark. The CE mark consists of the letters 'C' and 'E' in a stylized, bold font.


Suzhou 2015/01/21
Allen Ding
Deputy Chief Engineer, Testing & Certification

-
- 1. FREIGABEKNOPF**
 - 2. SOFTHANDGRIFF**
 - 3. SCHRAUBENSCHLÜSSEL**
 - 4. EIN-AUS-SCHALTER**
 - 5. SPINDEL-STOPP-TASTE**
 - 6. UNTERE SCHUTZHAUBE**
 - 7. RÜCKZIEHHEBEL**
 - 8. FESTER OBERER SCHUTZ**
 - 9. STAUBSAUGER-ANSCHLUSS**
 - 10. STAUBSAUGERADAPTER**
 - 11. TIEFENEINSTELLUNGSHEBEL**
 - 12. GRUNDPLATTE**
 - 13. SÄGEBLATT (Siehe Bild A)**
 - 14. INNERER FLANSCH (Siehe Bild A)**
 - 15. SCHRAUBE FÜR SÄGEBLATT-BEFESTIGUNG (Siehe Bild A)**
 - 16. PARALLELANSCHLAG**
 - 17. PARALLELFÜHRUNG-KLEMMBEFESTIGUNG**
 - 20 18. SCHRÄGENEINSTELLHEBEL**
 - 19. ÄUSSERER FLANSCH (Siehe Bild A)**
 - 20. LASER**
 - 21. LASER EIN-/AUSSCHALTER**
 - 22. LASERBATTERIEN (Zwei) (Siehe Bild E2)**
 - 23. SÄGEBLATT-AUSRICHTUNGSANZEIGE**
-

Abgebildetes oder beschriebenes Zubehör gehört teilweise nicht zum Lieferumfang.

TECHNISCHE DATEN

Typ **WX427 (4 - Bezeichnung der Maschine, Repräsentant der Säge)**

Nennspannung		230-240V ~ 50Hz
Nennaufnahme		710W
Nenndrehzahl		3700/min
Blattdurchmesser	TCT Sägeblatt	120mmx1.2mmx9.5mmx24T
	HSS Sägeblatt	115mmx1.2mmx9.5mmx60T
	Normales Sägeblatt	115mmx1.6mmx9.5mmx60G
Schnitttiefe	Schnitttiefe bei 90°	46mm
	Schnitttiefe bei 45°	30mm
Wellengröße		9.5mm
Maximale Materialdicke (empfohlen)	Holz	46mm
	Aluminium	2.5mm
	PVC Rohre (Durchmesser)	46mm
	Fliese	12mm
	Dünnes Stahlblech	0.5mm
Spindelgewinde gröÙe		M5
Sägeblattstärke	TCT Sägeblatt	0.8mm
	HSS Sägeblatt	0.65mm
	Normales Sägeblatt	1mm
Laserbatterie-Modellnr.		LR44 1.5V
Schutzklasse		 /II
Gewicht		2.3kg

21

INFORMATIONEN ÜBER LÄRM

Gewichteter Schalldruck	L_{pA} :	76dB(A)
Gewichtete Schalleistung	L_{wA} :	87dB(A)
K_{PA} & K_{WA}		3.0dB(A)


Tragen Sie Gehörschutz, Wenn Sie die Elektrowerkzeug benutzen

INFORMATIONEN ÜBER VIBRATIONEN

Vibrationsgesamtmesswertermittlung gemäß EN60745:


Vibrationsemissionswert:	Schnitte in Holz : $a_{h,W} = 6.82\text{m/s}^2$
	Unsicherheit K = 1.5m/s^2
	Schnitte in Metall : $a_{h,M} = 5.63\text{m/s}^2$
	Unsicherheit K = 1.5m/s^2
	Schnitte in Fliese : $a_h = 6.91\text{m/s}^2$
	Unsicherheit K = 1.5m/s^2

Der angegebene Gesamt vibrationswert kann zum Vergleich eines Werkzeugs mit einem anderen und auch zur vorläufigen Expositionsbewertung verwendet werden.

 **WARNUNG:** Der Vibrationsemissionswert während des tatsächlichen Gebrauchs des Elektrowerkzeugs kann vom angegebenen Wert abweichen, je nachdem, wie das Werkzeug gemäß folgender Beispiele und anderweitiger Verwendungsmöglichkeiten eingesetzt wird: Wie das Werkzeug verwendet wird und Materialien geschnitten oder angebohrt werden. Das Werkzeug ist in gutem Zustand und gut gepflegt. Verwendung des richtigen Zubehörs für das Werkzeug und Gewährleistung seiner Schärfe und seines guten Zustands. Die Festigkeit der Handgriffe und ob Antivibrationszubehör verwendet wird. Und ob das verwendete Werkzeug dem Design und diesen Anweisungen entsprechend verwendet wird.

22

Wird dieses Werkzeug nicht anemessen gehandhabt, kann es ein Hand-Arm-Vibrationssyndrom erzeugen.

 **WARNUNG:** Um genau zu sein, sollte eine Abschätzung des Belastungsgrades aller Arbeitsabschnitte während tatsächlicher Verwendung berücksichtigt werden, z.B. die Zeiten, wenn das Werkzeug ausgeschaltet ist, und wenn es sich im Leerlauf befindet und eigentlich nicht eingesetzt wird. Auf diese Weise kann der Belastungsgrad während der gesamten Arbeitszeit wesentlich gemindert werden. Minimieren Sie Ihr Risiko, dem Sie bei Vibrationen ausgesetzt sind. Verwenden Sie IMMER scharfe Meißel, Bohrer und Sägeblätter. Pflegen Sie dieses Werkzeug diesen Anweisungen entsprechend und achten Sie auf eine gute Einfettung (wo erforderlich). Bei regelmäßiger Verwendung dieses Werkzeugs sollten Sie in Antivibrationszubehör investieren. Vermeiden Sie den Einsatz von Werkzeugen bei Temperaturen von 10°C oder darunter. Machen Sie einen Arbeitsplan, um die Verwendung von hochvibrierenden Werkzeugen auf mehrere Tage zu verteilen.

ZUBEHÖRTEILE

TCT Sägeblatt: 24T bei Holz (WA5046)	1
HSS Sägeblatt: 60T bei dünnem Stahlblech und Aluminium, PVC-Rohren, Kunststoff (WA5047)	1
Normales Sägeblatt: 60G bei Beton, Marmor, Fliesen, Zementträgerbrett (WA5048)	1
Parallelanschlag	1
Staubsaugeradapter	1
Schraubenschlüssel	1

Wir empfehlen Ihnen, Sägeblätter beim selben Fachhändler zu beziehen, bei dem Sie auch Ihr Elektrowerkzeug gekauft haben. Verwenden Sie nur hochwertige Sägeblätter von namhaften Herstellern. Weitere Informationen finden Sie auf der Verpackung der Sägeblätter.

SICHERHEITSAUWEISUNGEN FÜR ALLE SÄGEN

- a.  **WARNUNG: Kommen Sie mit Ihren Händen nicht in den Sägebereich und an das Sägeblatt.**
Wenn beide Hände die Kreissäge halten, kann das Sägeblatt diese nicht verletzen.
- b. **Greifen Sie nicht unter das Werkstück.**
Die Schutzhaube kann Sie unter dem Werkstück nicht vor dem Sägeblatt schützen.
- c. **Passen Sie die Schnitttiefe an die Dicke des Werkstückes an.** Es sollte weniger als eine volle Zahnhöhe unter dem Werkstück sichtbar sein.
- d. **Halten Sie das zu sägende Werkstück niemals mit der Hand oder über dem Bein fest. Sichern Sie das Werkstück an einer stabilen Unterlage.** Es ist wichtig, das Werkstück gut zu befestigen, um die Gefahr von Körperkontakt, Klemmen des Sägeblattes oder Verlust der Kontrolle zu minimieren.
- e. **Halten Sie das Gerät nur an den isolierten Griffflächen, wenn Sie Arbeiten ausführen, bei denen das Einsatzwerkzeug verborgene Stromleitungen oder das eigene Netzkabel treffen kann.** Der Kontakt mit einer spannungsführenden Leitung kann auch metallene Geräteteile unter Spannung setzen und zu einem elektrischen Schlag führen.
- f. **Verwenden Sie beim Längsschneiden immer einen Anschlag oder eine gerade Kantenführung.** Dies verbessert die Schnittgenauigkeit und verringert die Möglichkeit, dass das Sägeblatt klemmt.
- g. **Verwenden Sie immer Sägeblätter in der richtigen Grösse und mit passender Aufnahmebohrung (z.B. sternförmig oder rund).** Sägeblätter, die nicht zu den Montageteilen der Säge passen, laufen unrund und führen zum Verlust der Kontrolle.
- h. **Verwenden Sie niemals beschädigte oder falsche Sägeblatt-Unterlegscheiben (Flansche) oder -schrauben.** Die Sägeblatt-Unterlegscheiben und -schrauben wurden speziell für Ihre Säge konstruiert, für optimale Leistung und Betriebssicherheit.

URSACHEN UND VERMEIDUNG EINES RÜCKSCHLAGES:

Ursachen eines Rückschlags und diesbezügliche Warnhinweise

- Ein Rückschlag ist die plötzliche Reaktion infolge eines hakenden, klemmenden oder falsch ausgerichteten Sägeblattes, die dazu führt, daß eine unkontrollierte Säge abhebt und sich aus dem Werkstück heraus in Richtung der Bedienperson bewegt;
- Wenn sich das Sägeblatt in dem sich schließenden Sägespalt verhakt oder verklemmt, blockiert es, und die Motorkraft schlägt das Gerät in Richtung der Bedienperson zurück;
- Wird das Sägeblatt im Sägeschnitt verdreht oder falsch ausgerichtet, können sich die Zähne der hinteren Sägeblattkante in der Oberfläche des Werkstücks verhaken, wodurch sich das Sägeblatt aus dem Sägespalt herausbewegt und die Säge in Richtung der Bedienperson zurückspringt.

Ein Rückschlag ist die Folge eines falschen oder fehlerhaften Gebrauchs der Säge. Er kann durch geeignete Vorsichtsmaßnahmen, wie nachfolgend beschrieben, verhindert werden.

- a) **Halten Sie die Säge fest und bringen Sie Ihre Arme in eine Stellung, in der Sie den Rückschlagkräften standhalten können. Halten Sie sich immer seitlich des Sägeblattes, nie das Sägeblatt in eine Linie mit Ihrem Körper bringen.** Bei einem Rückschlag kann die Kreissäge rückwärts springen, jedoch kann die Bedienperson die Rückschlagkräfte beherrschen, wenn geeignete Maßnahmen getroffen wurden.
- b) **Falls das Sägeblatt klemmt oder das Sägen aus einem anderen Grund unterbrochen wird, lassen Sie den Ein-Aus-Schalter los und halten Sie die Säge im Werkstoff ruhig, bis das Sägeblatt vollständig still steht. Versuchen Sie niemals, die Säge aus dem Werkstück zu entfernen oder sie rückwärts zu ziehen, solange das Sägeblatt sich bewegt oder sich ein Rückschlag ereignen könnte.** Finden

Sie die Ursache für das Klemmen des Sägeblattes und beseitigen Sie diese durch geeignete Maßnahmen.

- c) Wenn Sie eine Säge, die im Werkstück steckt, wieder starten wollen, zentrieren Sie das Sägeblatt im Sägespalt und überprüfen Sie, ob die Sägezähne nicht im Werkstück verhakt sind.** Klemmt das Sägeblatt, kann es sich aus dem Werkstück herausbewegen oder einen Rückschlag verursachen, wenn die Säge erneut gestartet wird.
- d) Stützen Sie grosse Platten ab, um das Risiko durch ein klemmendes Sägeblatt zu vermindern.** Grosse Platten können sich durch ihr Eigengewicht durchbiegen. Platten müssen auf beiden Seiten, sowohl in der Nähe des Sägespaltes als auch am Rand, abgestützt werden.
- e) Verwenden Sie keine stumpfen oder beschädigten Sägeblätter.** Sägeblätter mit stumpfen oder falsch ausgerichteten Zähnen verursachen durch einen zu engen Sägespalt eine erhöhte Reibung, Klemmen des Sägeblattes und Rückschlag.
- f) Ziehen Sie vor dem Sägen die Schnittiefen- und Schnittwinkeleinstellungen fest.** Wenn sich während des Sägens die Einstellungen verändern, kann sich das Sägeblatt verklemmen und ein Rückschlag auftreten.
- g) Seien Sie besonders vorsichtig, wenn sich sägen in einen verborgenen Bereich, z. B. in einer bestehenden Wand.** Das eintauchende Sägeblatt kann beim Sägen in verborgene Objekte blockieren und einen Rückschlag verursachen.

SICHERHEITSANWEISUNGEN FÜR SÄGEN (KREISSÄGE MIT SCHWENKBAREM UNTEREM SCHUTZ)

Untere Schutzfunktion

- a) Überprüfen Sie vor jeder Benutzung, ob die untere Schutzhaube einwandfrei schließt. Verwenden Sie die Säge nicht, wenn die untere**

Schutzhaube nicht frei beweglich ist und sich nicht sofort schließt. Klemmen oder binden Sie die untere Schutzhaube niemals in geöffneter Position fest. Sollte die Säge unbeabsichtigt zu Boden fallen, kann die untere Schutzhaube verbogen werden. Öffnen Sie die Schutzhaube

mit dem Rückziehhebel und stellen Sie sicher, dass sie sich frei bewegt und bei allen Schnittwinkeln und –tiefen weder Sägeblatt noch andere Teile berührt.

- b) Überprüfen Sie die Funktion der Feder für die untere Schutzhaube. Lassen Sie das Gerät vor dem Gebrauch warten, wenn die untere Schutzhaube und Feder nicht einwandfrei arbeiten.** Beschädigte Teile, klebrige Ablagerungen oder Ablagerung von Spänen lassen die untere Schutzhaube verzögert arbeiten, ggf mit Pinsel oder Druckluft reinigen.
- c) Öffnen Sie die untere Schutzhaube von Hand nur bei besonderen Schnitten, wie "Tauch und Winkelschnitten". Öffnen Sie die untere Schutzhaube mit dem Rückziehhebel und lassen Sie diesen los, sobald das Sägeblatt in das Werkstück eingedrungen ist.** Bei allen anderen Sägearbeiten muss die untere Schutzhaube automatisch arbeiten.
- d) Legen Sie die Säge nicht auf der Werkbank oder auf dem Boden ab, ohne dass die untere Schutzhaube das Sägeblatt bedeckt.** Ein ungeschütztes, nachlaufendes Sägeblatt bewegt die Säge entgegen der Schnittrichtung und sägt, was ihm im Weg ist. Beachten Sie dabei die Nachlaufzeit der Säge.

ZUSÄTZLICHE SICHERHEITSHINWEISE FÜR KREISSÄGEN

1. Tragen Sie grundsätzlich eine Staubmaske, einen Gehörschutz und eine Schutzbrille.
2. Verwenden Sie ausschließlich die in den Spezifikationen genannten Sägeblätter.
3. Verwenden Sie nur Sägeblätter mit

einem Durchmesser entsprechend den Kennzeichnungen.

ZUSÄTZLICHE SICHERHEITSHINWEISE FÜR ABSCHNEIDEN MASCHINE

- a) Die Schutzvorrichtung des Werkzeugs muss sicher befestigt und so ausgerichtet sein, dass ein möglichst kleiner Teil der Schleifscheibe zum Bediener zeigt. Halten Sie sich selbst und in der Nähe befindliche Personen aus der Ebene des rotierenden Einsatzwerkzeugs fern.** Die Schutzhaube soll die Bedienperson vor Bruchstücken und zufälligem Kontakt mit dem Schleifkörper schützen.
- b) Nur Diamant-Trennschleifscheiben für Ihr elektrisches Werkzeug verwenden.** Nur weil Sie das Zubehör an Ihrem Elektrowerkzeug befestigen können, garantiert das keine sichere Verwendung.
- c) Die zulässige Drehzahl des Einsatzwerkzeugs muss mindestens so hoch sein wie die auf dem Elektrowerkzeug angegebene Höchstdrehzahl.** Zubehör, das sich schneller als zulässig dreht, kann zerstört werden.
- d) Schleifkörper dürfen nur für die empfohlenen Einsatzmöglichkeiten verwendet werden. Zum Beispiel: Schleifen Sie nie mit der Seitenfläche einer Trennscheibe.** Trennscheiben sind zum Materialabtrag mit der Kante der Scheibe bestimmt. Seitliche Krafteinwirkung auf diese Schleifkörper kann sie zerbrechen.
- e) Verwenden Sie immer unbeschädigte Spannflansche in der richtigen Größe und Form für die von Ihnen gewählte Schleifscheibe.** Geeignete Flansche stützen die Schleifscheibe und verringern so die Gefahr eines Schleifscheibenbruchs.
- f) Verwenden Sie keine abgenutzten Schleifscheiben von größeren**

Elektrowerkzeugen. Schleifscheiben für größere Elektrowerkzeuge sind nicht für die höheren Drehzahlen von kleineren Elektrowerkzeugen ausgelegt und können brechen.

- g) Außendurchmesser und Dicke des Einsatzwerkzeugs müssen den Maßangaben Ihres Elektrowerkzeugs entsprechen.** Falsch bemessene Einsatzwerkzeuge können nicht ausreichend abgeschirmt oder kontrolliert werden.
- h) Die Aufsteckhalter von Schleifscheiben und Flanschen müssen genau auf die Spindel Ihres Elektrowerkzeugs passen.** Schleifscheiben und Flansche mit Aufsteckhalterlöchern, die nicht genau auf die Spindel des Elektrowerkzeugs passen, drehen sich ungleichmäßig, vibrieren sehr stark und können zum Verlust der Kontrolle führen.
- i) Arbeiten Sie niemals mit beschädigten Schleifscheiben. Kontrollieren Sie vor jeder Verwendung Einsatzwerkzeuge wie Schleifscheiben auf Absplitterungen und Risse. Wenn das Elektrowerkzeug oder das Einsatzwerkzeug herunterfällt, überprüfen Sie, ob es beschädigt ist, oder verwenden Sie ein unbeschädigtes Einsatzwerkzeug. Wenn Sie das Einsatzwerkzeug kontrolliert und eingesetzt haben, halten Sie sich selbst und in der Nähe befindliche Personen aus der Ebene des rotierenden Einsatzwerkzeugs fern, und lassen Sie das Elektrowerkzeug eine Minute lang mit Höchstdrehzahl la fen.** Beschädigte Einsatzwerkzeuge brechen meist in dieser Testzeit.
- j) Tragen Sie persönliche Schutzausrüstung. Verwenden Sie je nach Anwendung Vollgesichtsschutz, Augenschutz oder Schutzbrille. Soweit angemessen, tragen Sie Staubmaske, Gehörschutz, Schutzhandschuhe oder Spezialschürze, die kleine**

Schleif- und Materialpartikel von Ihnen fernhält. Die Augen sollen vor herumfliegenden Fremdkörpern geschützt werden, die bei verschiedenen Anwendungen entstehen. Staub- oder Atemschutzmaske müssen den bei der Anwendung entstehenden Staub filtern. Wenn Sie lange lautem Lärm ausgesetzt sind, können Sie einen Hörverlust erleiden.

k) Achten Sie bei anderen Personen auf sicheren Abstand zu Ihrem Arbeitsbereich. Jeder, der den Arbeitsbereich betritt, muss persönliche Schutzausrüstung tragen. Bruchstücke des Werkstücks oder gebrochener Einsatzwerkzeuge können wegfliegen und Verletzungen auch außerhalb des direkten Arbeitsbereichs verursachen.

l) Halten Sie das Gerät nur an den isolierten Griffflächen, wenn Sie Arbeiten ausführen, bei denen das Einsatzwerkzeug verborgene Stromleitungen oder das eigene Netzkabel treffen kann. Der Kontakt mit einer spannungsführenden Leitung kann auch metallene Geräteteile unter Spannung setzen und zu einem elektrischen Schlag führen.

m) Halten Sie das Netzkabel von sich drehenden Einsatzwerkzeugen fern. Wenn Sie die Kontrolle über das Elektrowerkzeug verlieren, kann das Netzkabel durchtrennt oder erfasst werden und Ihre Hand oder Ihr Arm in das rotierende Einsatzwerkzeug geraten.

n) Legen Sie das Elektrowerkzeug niemals ab, bevor das Einsatzwerkzeug völlig zum Stillstand gekommen ist. Das rotierende Einsatzwerkzeug kann in Kontakt mit der Ablagefläche geraten, wodurch Sie die Kontrolle über das Elektrowerkzeug verlieren können.

o) Lassen Sie das Elektrowerkzeug nicht laufen, während Sie es tragen. Ihre Kleidung kann durch zufälligen Kontakt mit dem sich drehenden Einsatzwerkzeug erfasst werden, und das Einsatzwerkzeug

sich in Ihren Körper bohren.

p) Reinigen Sie regelmäßig die Lüftungsschlitze Ihres Elektrowerkzeugs. Das Motorgebläse zieht Staub in das Gehäuse, und eine starke Ansammlung von Metallstaub kann elektrische Gefahren verursachen.

q) Verwenden Sie das Elektrowerkzeug nicht in der Nähe brennbarer Materialien. Funken können diese Materialien entzünden.

r) Verwenden Sie keine Einsatzwerkzeuge, die flüssige Kühlmittel erfordern. Die Verwendung von Wasser oder anderen flüssigen Kühlmitteln kann zu einem elektrischen Schlag führen.

Rückschlag und entsprechende Warnhinweise

Rückstoß ist eine plötzliche Reaktion auf eine verklemmte oder verhakte Drehscheibe. Klemmen oder Haken verursacht schnelles Blockieren der Drehscheibe, was das unkontrollierte Werkzeug zum Zeitpunkt der Blockade in die der Drehung der Scheibe entgegengesetzte Richtung zwingt.

Wenn z. B. eine Schleifscheibe im Werkstück hakt oder blockiert, kann sich die Kante der Schleifscheibe, die in das Werkstück eintaucht, verfangen und dadurch die Schleifscheibe ausbrechen oder einen Rückschlag verursachen. Die Schleifscheibe bewegt sich dann auf die Bedienperson zu oder von ihr weg, je nach Drehrichtung der Scheibe an der Blockierstelle. Hierbei können Schleifscheiben auch brechen.

Ein Rückschlag ist die Folge eines falschen oder fehlerhaften Gebrauchs des Elektrowerkzeugs. Er kann durch geeignete Vorsichtsmaßnahmen, wie nachfolgend beschrieben, verhindert werden.

a) Halten Sie das Elektrowerkzeug gut fest und bringen Sie Ihren Körper und Ihre Arme in eine Position, in der Sie die Rückschlagkräfte abfangen können. Verwenden Sie immer den Zusatzgriff, falls vorhanden, um die größtmögliche Kontrolle über Rückschlagkräfte oder

Reaktionsmomente beim Hochlauf zu haben. Die Bedienperson kann durch geeignete Vorsichtsmaßnahmen die Rückschlag- und Reaktionskräfte beherrschen.

b) Bringen Sie Ihre Hand nie in die Nähe sich drehender Einsatzwerkzeuge.

Das Einsatzwerkzeug kann sich beim Rückschlag über Ihre Hand bewegen.

c) Positionieren Sie Ihren Körper nicht in einer Linie mit der Drehscheibe.

Der Rückschlag treibt das Elektrowerkzeug in die Richtung entgegengesetzt zur Bewegung der Schleifscheibe an der Blockierstelle.

d) Arbeiten Sie besonders vorsichtig im Bereich von Ecken, scharfen Kanten usw. Verhindern Sie, dass Einsatzwerkzeuge vom Werkstück zurückprallen und verklemmen.

Das rotierende Einsatzwerkzeug neigt bei Ecken, scharfen Kanten oder wenn es abprallt, dazu, sich zu verklemmen. Dies verursacht einen Kontrollverlust oder Rückschlag.

e) Keine Sägekette, Holzschnittblatt, segmentierte Diamantscheibe mit einem peripheren Abstand von mehr als 10 mm oder gezahntes Sägeblatt anbringen. Solche Einsatzwerkzeuge verursachen häufig einen Rückschlag oder den Verlust der Kontrolle über das Elektrowerkzeug.

f) Scheibe nicht verklemmen oder übermäßigen Druck ausüben. Eine Überlastung der Trennscheibe erhöht deren Beanspruchung und die Anfälligkeit zum Verkanten oder Blockieren und damit die Möglichkeit eines Rückschlags oder Schleifkörperbruchs.

g) Falls die Trennscheibe verklemmt oder Sie die Arbeit unterbrechen, schalten Sie das Gerät aus und halten Sie es ruhig, bis die Scheibe zum Stillstand gekommen ist. Versuchen Sie nie, die noch laufende Trennscheibe aus dem Schnitt zu ziehen, sonst kann ein Rückschlag erfolgen. Ermitteln und beheben Sie die Ursache für das Verklemmen.

h) Schalten Sie das Elektrowerkzeug nicht wieder ein, solange es sich im Werkstück befindet. Lassen Sie die Trennscheibe erst ihre volle Drehzahl erreichen, bevor Sie den Schnitt vorsichtig fortsetzen. Anderenfalls kann die Scheibe verhaken, aus dem Werkstück springen oder einen Rückschlag verursachen.

i) Stützen Sie Platten oder große Werkstücke ab, um das Risiko eines Rückschlags durch eine eingeklemmte Trennscheibe zu vermindern. Große Werkstücke können sich unter ihrem eigenen Gewicht durchbiegen. Das Werkstück muss auf beiden Seiten abgestützt werden, und sowohl in der Nähe des Trennschnitts als auch an der Kante.

j) Seien Sie besonders vorsichtig bei „Taschenschnitten“ in bestehende Wände oder andere nicht einsehbare Bereiche. Die eintauchende Trennscheibe kann beim Schneiden in Gas- oder Wasserleitungen, elektrische Leitungen oder andere Objekte einen Rückschlag verursachen.

ZUSÄTZLICHE SICHERHEITSHINWEISE

1. Tragen Sie grundsätzlich eine Staubmaske.

SICHERHEITSHINWEISE FÜR IHREN LASER



WARNUNG : Lesen Sie alle Sicherheitshinweise und

Anweisungen. Versäumnisse bei der Einhaltung der Sicherheitshinweise und Anweisungen können elektrischen Schlag, Brand und/oder schwere Verletzungen verursachen.

Bewahren Sie alle Sicherheitshinweise und Anweisungen für die Zukunft auf. Diese Laser stellen unter normalen Umständen keine optische Gefahr da.

Trotzdem kann ein direktes Schauen in den Strahl zu temporärem Erblinden führen. Schauen Sie nicht direkt in den Laserstrahl. Eine Gefahr besteht, wenn Sie absichtlich direkt in den Laser schauen. Bitte beachten Sie alle Sicherheitshinweise. Diese lauten wie folgt:



- 1. Der Laser muss entsprechend den Anweisungen des Herstellers verwendet und gewartet werden.**
- 2. Laserstrahl niemals auf Personen oder Gegenstände außer dem Werkstück richten.**
- 3. Laserstrahl niemals absichtlich auf eine andere Person richten. Der Laserstrahl nicht länger als 0,25 Sekunden auf die Augen anderer Personen gerichtet sein.**
- 4. Stellen Sie sicher, dass der Laser stets auf ein stabiles Werkstück ohne reflektierende Oberfläche gerichtet ist.**
Z.B. Holz oder raue Oberflächen. Helle und reflektierende Oberflächen wie Stahl sind nicht für die Verwendung mit dem Laser geeignet. Dabei kann der Strahl auf den Benutzer reflektiert werden.
- 5. Lasergerät nicht gegen einen andern Typ austauschen.** Reparaturen müssen durch den Hersteller oder dessen autorisierten Vertreter vorgenommen werden.
- 6. VORSICHT:** Verwendung der Kontrollen oder Justierungen, die in dieser Anleitung nicht beschrieben sind, können zu schädlicher Strahlung führen.

SICHERHEITSHINWEISE FÜR IHREN LASER

Das Lasergerät dieses Werkzeugs ist ein Gerät der Klasse 2, mit einer maximalen Strahlung von 1.5mW und einer Wellenlänge von 650nm.

KLASSE 2 LASERSTRAHLUNG, NICHT IN DEN STRAHL SEHEN

SYMBOLE

	Zur Reduzierung der Verletzungsgefahr bitte die Bedienungsanleitung durchlesen.
	Schutzisolation
	WARNUNG!
	Tragen Sie einen Gehörschutz
	Tragen Sie eine Schutzbrille
	Tragen Sie eine Staubschutzmaske
	Nicht in den Strahl sehen
	Laserstrahlung
	Elektroprodukte dürfen nicht mit dem normalen Haushaltsmüll entsorgt werden, sondern sollten nach Möglichkeit zu einer Recyclingstelle gebracht werden. Ihre zuständigen Behörden oder Ihr Fachhändler geben Ihnen hierzu gerne Auskunft.
	Ziehen Sie vor jeglichen Arbeiten an der Maschine selbst den Netzstecker aus der Steckdose.
	Schutzhandschuhe tragen
	Holz

	Aluminium
	Metall
	Falsch
	Richtig
	Verriegeln
	Entriegeln
	Normales Sägeblatt
	HSS Sägeblatt
	TCT Sägeblatt

30

HINWEISE ZUM BETRIEB



HINWEIS: Lesen Sie das Handbuch vor Inbetriebnahme des Werkzeuges sorgfältig durch.

BESTIMMUNGSGEMÄSSER GEBRAUCH:

Das Gerät ist für gerade Längs- und Querschnitte in Holz, Aluminium, PVC-Rohr, Fliesen, usw. bei fester Auflage auf dem Werkstück ausgelegt.

MONTAGE UND BEDIENUNG

Aktion	Abbildung
Sägeblatt Montieren Und Entfernen	Siehe Bild A
Sicherheits-Ein-/Ausschalter	Siehe Bild B
Quer- Und Längsschnitt	Siehe Bild C1, C2
Laserlichtfunktion Verwenden	Siehe Bild D1, D2
So Werden Die Laserbatterien Ausgetauscht	Siehe Bild E1-E3
Einstellung Des Parallelanschlags	Siehe Bild F1, F2
Schnitttiefe Anpassen	Siehe Bild G1, G2
Schnittwinkel Anpassen	Siehe Bild H
Taschenschnitte	Siehe Bild I1, I2
Entfernung Von Sägemehl	Siehe Bild J

TIPPS ZUR ARBEIT MIT IHREM WERKZEUG

Wenn Ihr Elektrowerkzeug zu heiß werden sollte, lassen Sie es zur Kühlung des Motors etwa zwei bis drei Minuten lang unbelastet laufen. Vermeiden Sie längere Einsätze bei sehr geringen Geschwindigkeiten. Schützen Sie Sägeblätter vor Stoß und Schlag. Zu starker Vorschub senkt erheblich das Leistungsvermögen des Gerätes und verringert die Lebensdauer des Sägeblattes. Die Sägeleistung und die Schnittqualität hängen wesentlich vom Zustand und der Zahnform des Sägeblattes ab. Deshalb nur scharfe und für den zu bearbeitenden Werkstoff geeignete Sägeblätter verwenden.

Wahl der Sägeblätter: 24 Zähne für allgemeine Arbeiten, ca. 40 Zähne für feinere Schnitte, mehr als 40 Zähne für sehr feine Schnitte in schwierige Oberflächen. Nur empfohlene Sägeblätter verwenden.

WARTUNG

Ziehen Sie grundsätzlich den Netzstecker, bevor Sie Einstell-, Reparatur- oder Wartungstätigkeiten ausführen.

Halten Sie Werkzeuge für bessere und sicherere Leistung scharf und sauber. Befolgen Sie die Anweisungen zum Schmieren und Auswechseln von Zubehör. Prüfen Sie die Werkzeugkabel regelmäßig; lassen Sie sie bei Schäden von einer autorisierten Serviceeinrichtung reparieren. Ihr Werkzeug benötigt keine zusätzliche Schmierung oder Wartung. Es enthält keine Teile, die Sie warten müssen. Reinigen Sie Ihr Werkzeug niemals mit Wasser oder chemischen Lösungsmitteln. Wischen Sie es mit einem trockenen Tuch sauber. Lagern Sie Ihr Werkzeug immer an einem trockenen Platz. Sorgen Sie dafür, dass bei staubigen Arbeiten die Lüftungsöffnungen frei sind. Falls es erforderlich sein sollte, den Staub zu entfernen, trennen Sie zuerst das Elektrowerkzeug vom Stromversorgungsnetz. Verwenden Sie nichtmetallische Objekte zum Entfernen von Staub und vermeiden Sie das Beschädigen innerer Teile. Gelegentlich sind durch die Lüftungsschlitze hindurch Funken zu sehen. Dies ist normal und wird Ihr Werkzeug nicht beschädigen. Wenn ein Ersatz von Stecker oder Anschlussleitung erforderlich ist, dann ist dies von unserer Servicestelle oder einer Elektrofachwerkstatt durchzuführen, um Sicherheitsgefährdungen zu vermeiden. Lassen Sie Reparaturen nur durch unsere Servicestelle oder durch eine Fachwerkstatt mit Originalersatzteilen durchführen. Entfernen Sie in regelmäßigen Abständen Staub und Sägespäne von der Schutzvorrichtung und der Grundplatte, um eine optimale Betriebsleistung zu gewährleisten.

UMWELTSCHUTZ



Elektroprodukte dürfen nicht mit dem normalen Haushaltsmüll entsorgt werden, sondern sollten nach Möglichkeit zu einer Recyclingstelle gebracht werden. Ihre zuständigen Behörden oder Ihr Fachhändler geben Ihnen hierzu gerne Auskunft.

PROBLEMLÖSUNG

Symptome	Mögliche Ursachen	Lösungsmöglichkeit
Werkzeug startet nicht, wenn der Ein/Ausschalter betätigt wird..	Netzleitung nicht angeschlossen. Netzleitung ist beschädigt. Kohlebürste ist abgenutzt	Vergewissern Sie sich, dass die Netzleitung an eine stromführende Steckdose angeschlossen ist. Ziehen Sie die Netzleitung ab. Lassen Sie sie vom geschulten Kundendienst ersetzen. Lassen Sie die Kohlebürste vom geschulten Kundendienst ersetzen.
Schnitttiefe ist geringer als eingestellt.	Sägemehl hat sich hinten an der Grundplatte angesammelt.	Schütteln Sie das Sägemehl heraus. Erwägen Sie den Anschluss eines Staubsaugers für den Staubauffang.
Sägeblatt trudelt oder verrutscht	Sägeblatt liegt nicht fest an der Spindel an.	Entfernen Sie das Sägeblatt und montieren Sie es neu gemäß der Beschreibung im Abschnitt MONTIEREN/AUSTAUSCHEN DES SÄGEBLATTS.
Sägeblatt schneidet keine gerade Linie.	Sägeblatt ist stumpf. Sägeblatt ist nicht richtig montiert. Sägeblatt wird nicht richtig geführt.	Bringen Sie ein neues, scharfes Sägeblatt an der Säge an. Vergewissern Sie sich, dass das Sägeblatt richtig montiert ist. Parallele Führung verwenden.
Sägeblatt erzeugt beim Ansetzen eines Schnitts einen Rückschlag	Sägeblatt rotiert nicht schnell genug	Warten Sie, bis das Sägeblatt seine volle Drehzahl erreicht, bevor Sie mit dem Schneiden beginnen.

32

KONFORMITÄTSEKKLÄ-RUNG

Wir,
POSITEC Germany GmbH
Konrad-Adenauer-Ufer 37
50668 Köln

Erklären hiermit, dass unser Produkt,
Beschreibung **WORX Elektrische Kreissäge**
Typ **WX427 (4-Bezeichnung der**
Maschine, Repräsentant der Säge)
Funktion **Schneiden verschiedener**
materialien mit einer rotierenden
zahnhebeisen

Den Bestimmungen der folgenden Richtlinien
entspricht:

2006/42/EC
2004/108/EC
2011/65/EU

Normen:

EN 55014-1
EN 55014-2
EN 61000-3-2
EN 61000-3-3
EN 60745-1
EN 60745-2-5
EN 60745-2-22

Zur Kompilierung der technischen Datei
ermächtigte Person

Name Russell Nicholson
Anschrift Positec Power Tools (Europe)
Ltd, PO Box 152, Leeds, LS10 9DS, UK



Suzhou 2015/01/21
Allen Ding
Stellvertretender Cheffingenieur, Prüfung und
Zertifizierung

-
- 1. BOUTON DE VERROUILLAGE**
 - 2. POIGNÉE SOUPLE**
 - 3. CLÉ**
 - 4. INTERRUPTEUR MARCHE/ARRÊT**
 - 5. TOUCHE DE BLOCAGE DE LA BROCHE**
 - 6. CAPOT PROTECTEUR DE LAME INFERIEUR**
 - 7. LEVIER DU CAPOT PROTECTEUR DE LAME INFERIEUR**
 - 8. SÉCURITÉ SUPÉRIEURE FIXÉE**
 - 9. SORTIE D'ÉJECTION DE BRAN DE SCIE**
 - 10. ADAPTATEUR POUR ASPIRATEUR DE POUSSIÈRE**
 - 11. MANETTE DE RÉGLAGE DE PROFONDEUR**
 - 12. SOCLE**
 - 13. LAME DE SCIE (Voir Fig. A)**
 - 14. BRIDE INTERIEURE (Voir Fig. A)**
 - 15. BOULON DE LAME (Voir Fig. A)**
 - 16. GUIDE PARALLÈLE**
 - 17. FIXATION DES GUIDES PARALLÈLES**
 - 18. LEVIER D'AJUSTEMENT DE L'ANGLE**
 - 19. BRIDE EXTERIEURE (Voir Fig. A)**
 - 20. LASER**
 - 21. INTERRUPTEUR MARCHE / ARRÊT DU LASER**
 - 22. BATTERIES DE LASER (Deux) (Voir Fig. E2)**
 - 23. COCHE-GUIDE DE COUPE**
-

34

Les accessoires reproduits ou décrits ne sont pas tous compris dans les fournitures.

DONNÉES TECHNIQUES

Modèle **WX427(4 - désignations des pièces, illustration de la scie)**

Tension		230-240V ~ 50Hz
Puissance absorbée		710W
Vitesse à vide		3700/min
Diamètre de lame	Lame à pointes de carbure pour coupe rapide	120mmx1.2mmx9.5mmx24T
	Lame de coupe métallique HSS	115mmx1.2mmx9.5mmx60T
	Lame à poudre de diamant	115mmx1.6mmx9.5mmx60G
Capacité de découpe	Profondeur de coupe à 90°	46mm
	Profondeur de coupe à 45°	30mm
Taille du moyeu		9.5mm
Épaisseur maximale de la planche recommandée	Bois	46mm
	Aluminium	2.5mm
	Conduit en PVC (diamètre)	46mm
	Tuile	12mm
	Tôle d'acier	0.5mm
Taille de filetage broche		M5
L'épaisseur de la lame de scie	Lame à pointes de carbure pour coupe rapide	0.8mm
	Lame de coupe métallique HSS	0.65mm
	Lame à poudre de diamant	1mm
Batteries de laser		LR44 1.5V
Double isolation		//
Poids		2.3kg

35

INFORMATIONS RELATIVES AU BRUIT

Niveau de pression acoustique	L_{pA} : 76dB(A)
Niveau de puissance acoustique	L_{wA} : 87dB(A)
K_{PA} & K_{WA}	3.0dB(A)

Porter une protection pour les oreilles

INFORMATIONS RELATIVE AUX VIBRATIONS

Valeurs totales de vibrations déterminées selon l'EN 60745:

Valeur d'émission de vibrations:	Découpe dans du bois : $a_{h,W} = 6.82\text{m/s}^2$
	Incertitude K = 1.5m/s^2
	Découpe dans du métal : $a_{h,M} = 5.63\text{m/s}^2$
	Incertitude K = 1.5m/s^2
	Découpe dans du tuile: $a_h = 6.91\text{m/s}^2$
	Incertitude K = 1.5m/s^2

La valeur totale de vibration déclarée peut être utilisée pour comparer un outil à un autre, et peut également être utilisé dans une évaluation préliminaire de l'exposition.

AVERTISSEMENT : La valeur d'émission de vibrations pendant l'utilisation réelle de l'outil électrique peut différer de la valeur déclarée selon la façon dont l'outil est utilisé, selon les exemples suivants et d'autres variations sur la façon dont l'outil est utilisé:
Comment l'outil est utilisé et quels matériaux sont coupés ou percés.
L'outil est en bon état et bien entretien
L'utilisation du bon accessoire pour l'outil et l'assurance qu'il est affuté et en bon état.
Le serrage du grip sur les poignées et le cas échéant les accessoires anti-vibrations utilisés.
Et l'outil est utilisé comme prévu dans sa conception et dans les présentes instructions.

36

Cet outil peut causer un syndrome de vibration du bras et de la main s'il n'est pas correctement géré.


AVERTISSEMENT : Pour être précise, une évaluation du niveau d'exposition en conditions réelles d'utilisation doit également tenir compte de toutes les parties du cycle d'utilisation telles que les moments où l'outil est éteint, et ceux où il fonctionne au ralenti mais réalise pas réellement de tâche. Ceci peut réduire de façon significative le niveau d'exposition et la période de fonctionnement totale.
Aider à minimiser le risque d'exposition aux vibrations.
Utilisez TOUJOURS des ciseaux, des forets et des lames affutés
Entretenez cet outil en accord avec les présentes instructions et maintenez-le lubrifié (si approprié)
Si l'outil doit être utilisé régulièrement, alors investissez dans des accessoires anti-vibrations.
Évitez d'utiliser des outils à des températures de 10°C ou moins
Planifiez votre travail pour étaler toute utilisation d'outil à fortes vibrations sur plusieurs jours.

ACCESSOIRES

Lame à pointes de carbure pour coupe rapide: 24T pour le bois (WA5046)	1
Lame de coupe métallique HSS: 60T pour l'acier fin et l'aluminium, les tuyaux en PVC et le plastique (WA5047)	1
Lame à poudre de diamant: 60G pour le béton, le marbre, les tuiles et les panneaux de ciment (WA5048)	1
Guide parallèle	1
Adaptateur pour aspirateur de poussière	1
Clé	1

Nous vous recommandons d'acheter tous vos accessoires du même magasin qui vous a vendu l'outil. N'utilisez que des accessoires de bonne qualité de marque renommée. Choisissez le type d'outil approprié au travail que vous désirez entreprendre. Consultez l'emballage des accessoires pour de plus amples renseignements. Le personnel du magasin peut également vous conseiller.

MESURES DE SÉCURITÉ POUR TOUT TYPE DE SCIE

- a.**  **AVERTISSEMENT: Garder les mains en dehors de la zone de coupe et éloignées de la lame.** Si les deux mains maintiennent la scie, la lame ne pourra pas les atteindre.
- b. Ne pas toucher la partie inférieure de la pièce à travailler.** Le capot protecteur ne peut pas protéger de la lame en dessous de la pièce de bois.
- c. Ajuster la profondeur de coupe à l'épaisseur de la pièce à usiner.** On devrait voir moins d'une dent entière des dents de la lame en-dessous de la pièce à usiner.
- d. Ne jamais tenir la pièce que vous coupez entre vos mains ou sur votre jambe. Fixer la pièce à usiner sur une plateforme stable.** Il est important de soutenir correctement le travail pour réduire l'exposition du corps, la flexion de la lame ou la perte de contrôle.
- e. Tenez l'outil électrique uniquement par les surfaces de prise en main isolantes lorsque vous effectuez une opération où l'accessoire de coupe peut entrer en contact avec des fils cachés ou avec son propre cordon.** L'accessoire de coupe, s'il entre en contact avec un fil "sous tension", peut mettre les parties métalliques exposées de l'outil "sous tension" et électrocuter l'opérateur.
- f. Pour le sciage en long, toujours utiliser un guide longitudinal ou une règle à tracer.** Cela améliore l'exactitude de la coupe et réduit le risque de flexion de la lame.
- g. Toujours utiliser des lames de la bonne taille et la bonne forme (losange contre rond) de trous d'arbre.** Les lames qui ne correspondent pas aux pièces de montage de la scie couperont de manière excentrique, entraînant une perte de contrôle.
- h. Ne jamais utiliser de rondelle ou d'écrou de lame endommagé ou incorrect.** Les rondelles et les écrous de lame ont été conçus spécialement pour votre lame, pour des résultats optimaux et un fonctionnement sécuritaire.

MESURES DE SÉCURITÉ SUPPLÉMENTAIRES POUR TOUT TYPE DE SCIE CAUSES ET PRÉVENTION DES EFFETS DE REBOND:

- L'effet de rebond est une réaction soudaine d'une lame de scie mal alignée, tordue ou grippée qui dévie la scie de la pièce de bois vers l'utilisateur.
- Lorsque la lame est grippée ou tordue près de l'extrémité de la coupe de scie, la lame se bloque et la réaction du moteur ramène très rapidement l'unité en direction de l'utilisateur.
- Si la lame se tord ou s'aligne mal dans la coupe, la dent de l'extrémité arrière de la lame peut plonger dans la surface supérieure du bois et la lame peut sortir de la coupe de scie pour être projetée vers l'utilisateur.

L'effet de rebond est le résultat d'une mauvaise utilisation de la scie et/ou de procédures ou de conditions d'utilisation incorrectes et peut être évité en suivant les instructions ci-dessous.

- a. Maintenir fermement la scie et positionner les bras pour résister aux forces de l'effet de rebond. Positionner le corps de chaque côté de la lame mais non dans le prolongement de celle-ci.** L'effet de rebond pourrait faire sauter la scie en arrière mais ces forces peuvent être contrôlées par l'utilisateur si les mesures nécessaires sont prises.
- b. Lorsque la lame se grippe ou lorsque la coupe est interrompue pour quelques raisons, relâcher l'interrupteur et maintenir la scie dans la pièce de bois jusqu'à l'arrêt complet de l'outil. Ne jamais essayer de retirer la scie du travail ou de tirer la scie en arrière lorsque la lame est en marche ou un effet de rebond pourrait se produire.** Chercher la cause du grippage de la lame et prendre les mesures correctives.
- c. Lors du redémarrage de la scie dans**

la pièce de bois, centrer la scie dans la ligne de coupe et vérifier que les dents de la scie ne sont pas engagées dans la pièce. Si la lame de scie est grippée, elle pourrait sauter hors de la pièce de bois lors du redémarrage de la scie.

d. Supporter les gros panneaux afin de réduire le risque de dérapage ou de retour en arrière de la lame. Les gros panneaux ont tendance à fléchir sous leur propre poids. Les supports doivent être placés sous la planche de chaque côté, près de la ligne de coupe et près du bord de la planche.

e. Ne pas utiliser de lames émoussées ou endommagées. Des lames non aiguisées ou incorrectes produisent des lignes de coupe étroites provoquant un frottement excessif, un grippage de la lame ou un effet de rebond.

f. La profondeur de la lame et les leviers bloqués de réglage du biseau doivent être fixés fermement et en toute sécurité avant d'effectuer la coupe. Si les réglages du biseau dévient pendant la coupe, cela pourrait provoquer le grippage de la lame ou un effet de rebond.

g. Être davantage prudent lors de la scier sur des murs existants ou sur d'autres surfaces cachées. La lame saillante peut couper des objets qui peuvent provoquer un effet de rebond.

ou bloquer le capot inférieur sur la position ouverte. Si la scie tombe accidentellement, le capot inférieur peut se tordre. Soulever le capot inférieur avec la poignée rétractable et s'assurer qu'il bouge librement et ne touche pas la lame ni aucune autre partie, dans tous les angles et profondeurs de coupe.

b. Vérifier le bon fonctionnement du ressort du capot inférieur. Si le capot protecteur et le ressort ne fonctionnent pas correctement, ils doivent être réparés avant toute utilisation. Le capot inférieur peut fonctionner lentement du fait de parties endommagées, de dépôts gommeux ou d'un amoncellement de débris.

c. Le capot inférieur doit être retiré manuellement uniquement pour des coupes spéciales telles que " les coupes en plongée ". Soulever le capot inférieur en retirant la poignée et dès que la lame pénètre le matériau, le capot inférieur doit être relâché. Pour toutes les autres opérations de sciage, le capot inférieur devrait fonctionner automatiquement.

d. Toujours s'assurer que le capot inférieur recouvre la lame avant de poser la scie sur l'établi ou sur le sol. Une lame à nue, non protégée provoquera un saut en arrière de la scie qui tranchera tout ce qui se trouve sur son passage. Prendre en compte le temps nécessaire à la lame pour s'arrêter après que l'interrupteur ait été relâché.

INSTRUCTIONS DE SÉCURITÉ POUR LES SCIES (SCIE CIRCULAIRE AVEC SÉCURITÉ INFÉRIEURE PIVOTANTE)

Système de sécurité inférieur

a. Vérifier que le capot inférieur soit bien fermé avant toute utilisation. Ne pas mettre la scie en marche si le capot inférieur ne bouge pas librement et ne se ferme pas instantanément. Ne jamais mettre

MESURES DE SÉCURITÉ SUPPLÉMENTAIRES POUR SCIE

1. Toujours porter un masque anti-poussière, un casque antibruit et des lunettes de protection.
2. Utiliser uniquement les lames de scie recommandées dans les instructions.
3. Utilisez uniquement le diamètre de la (des) lame (s) en conformité avec les marquages.

SUPPLÉMENTAIRES AVERTISSEMENTS DE SECURITE POUR MACHINE DE DECOUPE

a) Le carter de protection fourni avec l'outil doit être fermement fixé à l'outil électroportatif et positionné de manière à assurer une sécurité optimale et limiter au maximum l'exposition de l'opérateur à la meule. Vous et d'éventuelles personnes présentes devez vous placer à distance de la zone de l'accessoire en rotation.

La protection aide à protéger l'opérateur contre les fragments de disque brisé et les contacts accidentels avec le disque.

b) Utilisez uniquement des disques à tronçonner diamant pour votre outil.

Le fait que l'accessoire puisse se fixer sur votre outil électrique n'assure pas son fonctionnement en toute sécurité.

c) La vitesse nominale de l'accessoire doit être supérieure ou égale à la vitesse maximale indiquée sur l'outil électrique. Les accessoires qui tournent plus rapidement que leur valeur nominale peuvent voler en éclats.

d) Les disques doivent être utilisés seulement pour les applications recommandées. Par exemple: ne meulez pas avec le bord d'un disque de coupe. Les disques de coupe abrasive sont conçus pour le meulage périphérique, les forces latérales appliquées à de tels disques peuvent les casser.

e) Utilisez toujours des collerettes de disques non endommagées et de taille et forme correctes pour le disque choisi. Des collerettes de disques adaptées supportent le disque et réduisent ainsi le risque de casse.

f) N'utilisez pas de disques usés d'outils électriques plus gros. Les disques prévus pour des outils électriques plus gros ne conviennent pas pour les vitesses élevées d'outils plus petits et peuvent éclater.

g) Le diamètre externe et l'épaisseur de votre accessoire doivent être dans

la plage de capacité nominale de votre outil électrique. Les accessoires mal dimensionnés ne peuvent pas être protégés ni commandés de façon adéquate.

h) Les meules et les brides doivent correspondre exactement à la broche de l'outil électroportatif. Les meules et les brides dont le perçage ne correspond pas exactement à la broche de l'outil électroportatif tournent de manière irrégulière, présentent des vibrations excessives et peuvent entraîner une perte de contrôle.

i) N'utilisez pas de meules endommagées. Avant chaque utilisation, contrôlez les meules à la recherche d'éclats et de fissures. En cas de chute de l'outil électroportatif ou de la meule, contrôlez la présence de dommages ou remplacez la meule. Après le contrôle et le remplacement de la meule, vous et d'éventuelles personnes présentes devez vous placer à distance de la zone de la meule en rotation et laisser tourner l'outil électroportatif à sa vitesse à vide maximale pendant une minute. En règle générale, les meules endommagées cassent pendant ce temps d'essai.

j) Portez des équipements de protection personnels. Selon l'application, utilisez une protection de visage, des lunettes de sécurité ou un masque de sécurité. Selon le cas, portez un masque contre la poussière, des protections auditives, des gants et un tablier pouvant arrêter les petits fragments d'abrasif ou de la pièce. La protection pour les yeux doit être capable d'arrêter les débris volant générés par les différentes opérations. Le masque contre les poussières ou le respirateur doit être capable de filtrer les particules générées par l'utilisation. Une exposition prolongée à du bruit de forte intensité peut causer une perte de l'ouïe.

k) Tenez les observateurs à une distance de sécurité de la zone de travail.

Quiconque entrant dans la zone de travail doit porter des équipements de protection personnels.

Des fragments de la pièce à travailler ou une meule cassée peuvent être projetés et provoquer des blessures en dehors de la zone directe de travail.

- l) Tenez l'outil électrique uniquement par les surfaces de prise en main isolantes lorsque vous effectuez une opération où l'accessoire de coupe peut entrer en contact avec des fils cachés ou avec son propre cordon.**

L'accessoire de coupe, s'il entre en contact avec un fil "sous tension", peut mettre les parties métalliques exposées de l'outil "sous tension" et électrocuter l'opérateur.

- m) Placez le cordon à distance de l'accessoire en rotation.** Si vous perdez le contrôle de l'appareil, le cordon peut être sectionné ou accroché et votre main ou votre bras risquent d'être happés par la meule en rotation.

- n) Ne posez jamais l'outil électrique tant que l'accessoire ne s'est pas complètement arrêté.** La meule en rotation peut accrocher une surface et vous faire perdre le contrôle de l'outil.

- o) Ne faites pas tourner l'outil électrique quand vous le portez sur le côté.** Un contact accidentel avec l'accessoire en rotation peut accrocher vos vêtements, et entraîner l'accessoire vers votre corps.

- p) Nettoyez régulièrement les ouïes de ventilation de l'outil électrique.** Le ventilateur du moteur attire la poussière à l'intérieur du boîtier et une accumulation excessive de poudre métallique peut représenter un danger électrique.

- q) N'utilisez pas l'outil électrique près de matériaux inflammables.** Des étincelles peuvent enflammer ces matériaux.

- r) N'utilisez pas des accessoires qui requièrent des liquides de refroidissement.** L'utilisation d'eau ou d'un autre liquide de refroidissement peut conduire à une électrocution ou un choc électrique.

Retour et avertissements liés

Le retour est une réaction soudaine lorsqu'une roue est bloquée ou percutée. Les blocages et percussions causent un arrêt brusque de la rotation de la roue, ce qui fait que l'outil, hors de contrôle, est poussé dans la direction opposée à la rotation de la roue au point de contact.

Par exemple, un disque abrasif est accroché ou pincé par la pièce à usiner, le bord du disque qui subit le pincement peut creuser la surface du matériau forçant le disque à sortir ou s'éjecter. Le disque peut soit sauter vers l'opérateur, soit dans le sens opposé, selon la direction de mouvement au point de pincement. Les disques abrasifs peuvent également se briser sous certaines conditions.

Le retour d'effort est le résultat d'une mauvaise utilisation de l'outil électrique et/ou de procédures ou de conditions d'utilisation incorrectes, et il peut être évité en prenant les précautions ci-dessous.

- a) Maintenez une prise en main ferme sur l'outil électrique et placez votre corps et votre bras de façon à résister aux retours d'efforts. Utilisez toujours la poignée auxiliaire, si elle existe, pour un contrôle maximum du retour d'effort et du couple réactif au démarrage.** L'opérateur peut contrôler le couple réactif ou les retours d'effort en prenant des précautions appropriées.

- b) Ne placez jamais votre main près de l'accessoire rotatif.** L'accessoire peut subir un retour d'effort vers votre main.

- c) Ne placez pas votre corps dans l'alignement de la roue.** Le retour d'effort propulse l'outil dans le sens opposé au mouvement du disque, au niveau du point d'accrochage.

- d) Faites très attention lors du travail dans les angles, sur les arêtes vives etc., et évitez le rebond et l'accrochage de l'accessoire.** Les coins, les arêtes vives et les rebonds ont tendance à bloquer l'accessoire rotatif et peuvent causer une perte de contrôle ou un retour d'effort.

- e) Ne fixez pas de tronçonneuse,**

de lame de découpe, de disque diamant segmenté avec un espace périphérique de plus de 10 mm ou une lame dentée. Ces lames créent des risques fréquents de rebond et de perte de contrôle.

- f) **N'« écrasez » pas la roue et n'appliquez pas de pression excessive dessus. N'essayez pas de faire une profondeur de coupe excessive.** Une sur-contrainte du disque augmente la charge et la susceptibilité du disque à la torsion ou aux efforts dans la coupe, ainsi que l'éventualité d'un retour d'effort ou de casse du disque.
- g) **Lorsque le disque est en contrainte ou lorsque vous arrêtez la coupe pour une raison quelconque, éteignez l'outil électrique et maintenez l'outil immobile jusqu'à ce que le disque soit à l'arrêt complet. Ne jamais essayer de sortir du tracé le disque à tronçonner encore en rotation, sinon il y a un risque de contrecoup.** Investiguez et prenez des actions correctrices pour éliminer la cause de la contrainte au niveau du disque.
- h) **Ne redémarrez pas l'opération de coupe sur la pièce à usiner. Laissez le disque atteindre sa pleine vitesse et re-pénétrez dans la coupe avec précaution.** Le disque peut se contraindre, se soulever ou renvoyer un retour d'effort si l'outil électrique est redémarré dans la pièce.
- i) **Soutenez les panneaux ou toute pièce de grandes dimensions, afin de minimiser le risque de pincement de disque et de retour d'effort. Les grandes pièces ont tendance à se plier sous leur propre poids.** Les supports doivent être placés sous la pièce près de la ligne de coupe et près du bord de la pièce des deux côtés du disque.
- j) **Faites très attention quand vous faites une "découpe en poche" dans des murs existants ou d'autres zones aveugles.** Le disque protubérant peut couper des tuyaux de gaz ou d'eau, des fils électriques ou des objets pouvant provoquer un retour d'effort.

MESURES DE SÉCURITÉ SUPPLÉMENTAIRES

1. Toujours porter un masque anti-poussière.

MESURES DE SECURITE POUR LE LASER



AVERTISSEMENT: Lire tous les avertissements de sécurité et toutes les instructions. Ne pas suivre les avertissements et instructions peut donner lieu à un choc électrique, un incendie et/ou une blessure sérieuse.

Conserver tous les avertissements et toutes les instructions pour pouvoir s'y reporter ultérieurement.

Ce type de laser ne présente normalement pas de danger pour les yeux bien que le fait de fixer le rayon puisse causer des aveuglements par éclair. Ne pas regarder directement le rayon. Il existe un danger si l'utilisateur regarde délibérément le rayon, suivre toutes les règles de sécurité ci-dessous :

1. **Le laser doit être utilisé et entretenu selon les instructions du fabricant.**
2. **Ne jamais pointer le rayon en direction d'une personne ou d'un objet autre que l'ouvrage.**
3. **Le rayon du laser ne doit pas être pointé en direction d'une autre personne et ne doit pas être dirigé vers les yeux pendant plus de 0,25 secondes.**
4. **Toujours s'assurer que le rayon du laser est dirigé sur un ouvrage qui ne possède pas de surfaces réfléchissantes, ex. le bois ou les surfaces brutes sont acceptés.** Les feuilles d'acier brillant et réfléchissant ou d'autres produits similaires ne sont pas indiqués dans l'utilisation du laser étant donné qu'une surface réfléchissante peut renvoyer le rayon du laser en direction de l'utilisateur.
5. **Ne pas remplacer le laser par un autre de type différent.** Les réparations

doivent être réalisées par le fabricant ou autre agent autorisé.

6. AVERTISSEMENT : L'utilisation de commandes ou de réglages autres que ceux spécifiés dans le manuel peuvent provoquer de dangereuses expositions aux radiations.








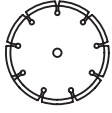
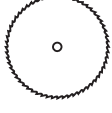

MESURES DE SECURITE POUR LE LASER DE CLASSE 2

Le laser intégré à cet outil est de la classe 2 avec une radiation maximale de 1.5mW et une longueur d'onde de 650nm.

**RAYONNEMENT LASER DE CLASSE 2,
NE PAS REGARDER LE FAISCEAU**

SYMBOLES

	Pour réduire le risque de blessure, l'utilisateur doit lire le manuel d'instructions
	Double isolation
	Avertissement
	Porter une protection pour les oreilles
	Porter une protection pour les yeux
	Porter un masque contre la poussière
	Ne pas regarder le faisceau
	Rayonnement laser
	Les déchets d'équipements électriques et électroniques ne doivent pas être déposés avec les ordures ménagères. Ils doivent être collectés pour être recyclés dans des centres spécialisés. Consultez les autorités locales ou votre revendeur pour obtenir des renseignements sur l'organisation de la collecte.
	Avant tout travail sur la machine elle-même, retirez la fiche d'alimentation de la prise électrique.
	Portez des gants de protection

	Bois
	Aluminium
	Métal
	Incorrect
	Correct
	Verrouiller
	Déverrouiller
	Lame à poudre de diamant
	Lame de coupe métallique HSS
	Lame à pointes de carbure pour coupe rapide

INSTRUCTIONS D'UTILISATION



REMARQUE: Avant d'utiliser cet outil, assurez-vous de lire attentivement le manuel d'utilisation.

UTILISATION PRÉVUE :

La machine est conçue pour couper le bois et d'autres matériaux en ligne droite dans le sens et contre le sens du grain, tout en reposant fermement sur la pièce à travailler.

ASSEMBLAGE ET FONCTIONNEMENT

Action	Illustration
Assemblage Et Retrait De La Lame De Découpe	Voir Fig. A
Interrupteur De Sécurité Marche/Arrêt	Voir Fig. B
Coupe Croisée Et Parallèle	Voir Fig. C1,C2
Utiliser La Lumière Laser	Voir Fig. D1,D2
Remplacez Les Batteries De Laser	Voir Fig. E1-E3
Guide Parallèle	Voir Fig. F1,F2
Ajustement De La Profondeur De Découpe	Voir Fig. G1,G2
Ajustement De L'angle De Découpe	Voir Fig. H
Coupe Pochette	Voir Fig. I1,I2
Évacuation De La Sciure	Voir Fig. J

TRUCS POUR UTILISER VOTRE PONCEUSE

Si votre scie circulaire chauffe de manière excessive, faites la fonctionner à vide pendant 2 à 3 minutes afin de refroidir le moteur. Évitez l'usage prolongé de votre machine à très faible vitesse.

Protéger les lames de scie contre les chocs et les coups. Une alimentation excessive réduit significativement la capacité de performance de la machine et réduit la durée de vie des lames de scie. La performance du sciage et la qualité de coupe dépendent essentiellement de la condition et de la

forme des dents de la lame de scie. Par conséquent n'utiliser que des lames de scie aiguisées qui conviennent au matériel sur lequel vous devez travailler.

Choix de lames : 24 dents pour le travail général, approximativement. 40 dents pour des coupes plus fines, plus de 40 dents pour des coupes très fines en surfaces délicates.

Utilisez uniquement les lames conseillées.

PRENEZ SOIN DE VOS OUTILS ET ENTRETENEZ LES BIEN

Retirez la prise de la prise murale avant d'effectuer n'importe quel travail de réglage, de réparation ou d'entretien.

En les gardant bien affûtés et propres, vous en obtiendrez le rendement maximum dans des conditions optimales de sécurité. Suivez les instructions pour le graissage ou la pose et le démontage des accessoires. Inspectez les cordons d'alimentation à intervalles réguliers et, s'ils sont endommagés, faites-les réparer à un centre de service après-vente autorisé. Votre outil ne nécessite aucune lubrification ou entretien supplémentaire. Il ne comporte aucune pièce à réparer ou à entretenir par l'utilisateur. N'utilisez jamais de l'eau ou des nettoyants chimiques pour nettoyer l'outil. Essuyez-le avec un chiffon sec. Rangez toujours votre outil dans un endroit sec. Gardez propres les ouvertures de ventilation du moteur.

Si le cordon d'alimentation est endommagé, il doit être remplacé par le fabricant, son agent de réparation ou d'autres personnes professionnelles afin d'éviter tout danger. Ôtez régulièrement la sciure et les copeaux de la sécurité et de la semelle afin de garantir une performance adéquate.

PROTECTION DE L'ENVIRONNEMENT



Les déchets d'équipements électriques et électroniques ne doivent pas être déposés avec les ordures ménagères. Ils doivent être collectés pour être recyclés dans des centres spécialisés. Consultez les autorités locales ou votre revendeur pour obtenir des renseignements sur l'organisation de la collecte.

DÉPANNAGE

Problème	Cause possible	Remède
L'outil ne démarre pas en actionnant le bouton on/off.	Cordon d'alimentation non branché. Le cordon d'alimentation est cassé. La brosse à charbon est abîmée	Vérifiez que le cordon d'alimentation est connecté correctement à une prise de courant en état de marche. Débranchez le cordon d'alimentation. Faites-le remplacer par un agent de maintenance qualifié. Faites remplacer la brosse à charbon par un agent de maintenance qualifié.
La profondeur de coupe est inférieure à celle prévue.	Sciure accumulée à l'arrière de la semelle.	Époussetez la sciure. Envisagez de connecter un aspirateur pour le ramassage de la sciure.
La lame patine ou glisse	La lame n'est pas profondément enclenchée avec le fuseau.	Ôtez la lame et remontez-la à nouveau tel que décrit dans la section INSTALLER/CHANGER LA LAME.
46 La lame ne coupe pas en ligne droite.	La lame est émoussée. La lame n'est pas montée correctement. La scie n'est pas guidée correctement.	Montez une nouvelle lame bien aiguisée sur la scie. Vérifiez que la lame est montée correctement. Utilisez des guides parallèles.
La lame a un effet de rebond au début de la coupe.	La lame ne tourne pas assez vite.	Laissez la lame de la scie atteindre sa pleine vitesse avant de commencer une coupe.

DÉCLARATION DE CONFORMITÉ

Nous,
POSITEC Germany GmbH
Konrad-Adenauer-Ufer 37
50668 Köln

Déclarons ce produit,
Description **WORX Scie circulaire électrique**
Modèle **WX427 (4-désignations des pièces, illustration de la scie)**
Fonction **La coupe de matériaux différents avec une lame dentée tournante**

Est conforme aux directives suivantes:

2006/42/EC
2004/108/EC
2011/65/EU

Et conforme aux normes:

EN 55014-1
EN 55014-2
EN 61000-3-2
EN 61000-3-3
EN 60745-1
EN 60745-2-5
EN 60745-2-22

La personne autorisée à compiler le dossier technique,

Nom Russell Nicholson
Adresse Positec Power Tools (Europe) Ltd, PO Box 152, Leeds, LS10 9DS, UK




Suzhou 2015/01/21
Allen Ding
Ingénieur en chef adjoint, Essais & Certification

-
- 1. BLOCCO DI AVVIAMENTO**
 - 2. IMPUGNATURA MORBIDA**
 - 3. CHIAVE**
 - 4. INTERRUTTORE DI AVVIO/ARRESTO**
 - 5. TASTO DI BLOCCAGGIO DELL'ALBERINO**
 - 6. PROTEZIONE LAMA INFERIORE**
 - 7. LEVA PROTEZIONE INFERIORE**
 - 8. PROTEZIONE SUPERIORE FISSA**
 - 9. PRESA ASPIRAPOLVERE**
 - 10. ADATTATORE ASPIRAZIONE**
 - 11. LEVA DI REGOLAZIONE PROFONDITÀ**
 - 12. PATTINO**
 - 13. LAMA (Vedere Figura A)**
 - 14. FLANGIA INTERNA (Vedere Figura A)**
 - 15. BULLONE LAMA (Vedere Figura A)**
 - 16. GUIDA PARALLELA**
 - 17. DISPOSITIVO DI BLOCCAGGIO GUIDA PARALLELA**
 - 18. LEVA DI REGOLAZIONE INCLINAZIONE**
 - 19. FLANGIA ESTERNA (Vedere Figura A)**
 - 20. LASER**
 - 21. INTERRUTTORE D'ACCENSIONE/SPEGNIMENTO LASER**
 - 22. BATTERIE LASER (Due) (Vedere Figura E2)**
 - 23. INDICATORE DI ALLINEAMENTO DELLA LAMA**
-

Accessori illustrati o descritti non fanno necessariamente parte del volume di consegna.

DATI TECNICI

Codice **WX427(4 - Designazione del macchinario, rappresentativo della sega)**

Tensione nominale		230-240V ~ 50Hz
Potenza nominale		710W
Velocità nominale a vuoto		3700/min
Dimensioni lama	TCT Lama	120mmx1.2mmx9.5mmx24T
	HSS Lama	115mmx1.2mmx9.5mmx60T
	Diamante Disco	115mmx1.6mmx9.5mmx60G
Capacità massima di taglio	Profondità di taglio a 90°	46mm
	Profondità di taglio a 45°	30mm
Dimensioni albero		9.5mm
Spessore massimo dei materiali consigliato	Legno	46mm
	Alluminio	2.5mm
	PVC tubo (diametro)	46mm
	Mattonelle	12mm
	Foglio in acciaio	0.5mm
Dimensioni filettatura del mandrino		M5
Spessore lama	TCT Lama	0.8mm
	HSS Lama	0.65 mm
	Diamante Disco	1mm
Numero di modello batteria laser		LR44 1.5V
Doppio isolamento		
Peso		2.3kg

49

INFORMAZIONI SUL RUMORE

Pressione acustica ponderata A	L_{pA} : 76dB(A)
Potenza acustica ponderata A	L_{wA} : 87dB(A)
K_{PA} & K_{WA}	3.0dB(A)


Indossare protezione per le orecchie

INFORMAZIONI SULLA VIBRAZIONE

I valori totali di vibrazione sono determinati secondo lo standard EN 60745:

Valore emissione vibrazioni:	Taglio del legno: $a_{h,W} = 6.82\text{m/s}^2$
	Incertezza K = 1.5m/s^2
	Taglio del metallo: $a_{h,M} = 5.63\text{m/s}^2$
	Incertezza K = 1.5m/s^2
	Taglio del mattonelle: $a_h = 6.91\text{m/s}^2$
	Incertezza K = 1.5m/s^2

Si può usare il valore totale della vibrazione dichiarata per riportare un attrezzo all'altro e anche come verifica preliminare dell'esposizione.

 **AVVERTENZA:** Il valore delle vibrazioni emesse durante il reale utilizzo dello strumento possono differire dal valore dichiarato in base ai modi con cui viene usato lo strumento, ai seguenti esempi e ad altre variabili:

Come viene usato l'apparecchio e i materiali tagliati o forati.

Le condizioni e la buona manutenzione dello strumento


L'uso dell'accessorio corretto per il taglio e la sua affilatura, nonché le sue buone condizioni.

La stretta sull'impugnatura e l'eventuale utilizzo di accessori antivibrazione.

L'adeguatezza dell'utilizzo dell'utensile rispetto a quanto previsto.

50

Questo strumento potrebbe causare la sindrome della vibrazione dell'avambraccio se il suo utilizzo non viene gestito correttamente.

 **AVVERTENZA:** Per essere precisi, una stima del livello di esposizione nelle attuali condizioni di utilizzo dovrebbe anche tenere conto di tutte le parti del ciclo operativo, come le volte in cui lo strumento viene spento e il tempo in cui viene lasciato girare a vuoto senza realmente fare il suo lavoro. Questo potrebbe ridurre significativamente il livello di esposizione sul periodo di lavoro totale.

Un aiuto a minimizzare il proprio rischio di esposizione alle vibrazioni.

Usare sempre scalpelli, trapani e lame affilati.

Conservare questo strumento sempre in conformità a queste istruzioni e mantenerlo ben lubrificato (dove appropriato).

Se lo strumento deve essere usato regolarmente, investire in accessori antivibrazione.

Evitare l'utilizzo dello strumento a temperature di 10°C o inferiori

Pianificare il programma di lavoro in modo da suddividere i lavori che implicano le maggiori vibrazioni nell'arco di più giorni.

ACCESSORI

TCT Lama: 24T per legno (WA5046)	1
HSS Lama: 60T per lamiera sottili di acciaio e alluminio, tubi di PVC, plastica (WA5047)	1
Diamante Disco: 60G per cemento, marmo, piastrelle, fibrocemento (WA5048)	1
Guida Parallela	1
Adattatore Aspirazione	1
Chiave	1

Si raccomanda di acquistare tutti gli accessori nello stesso negozio in cui è stato acquistato l'attrezzo. Usare accessori di buona qualità e di marca sconosciuta. Fare riferimento alla confezione dell'accessorio per altri dettagli. Il personale del negozio può aiutarvi e consigliarvi.

ISTRUZIONI DI SICUREZZA PER TUTTE LE SEGHE

- a)  **ATTENZIONE: Tenere le mani lontane dalla zona di taglio e dalla lama.** Se entrambe le mani tendono la sega, non possono essere tagliate dalla lama.
- b) **Non toccare la parte inferiore del pezzo in lavorazione.** La protezione non può proteggere dalla lama sulla parte inferiore del pezzo in lavorazione.
- c) **Regolare la profondità di taglio a seconda dello spessore del pezzo in lavorazione.** Sulla parte inferiore del pezzo in lavorazione deve essere visibile meno della metà del dente della lama.
- d) **Non tenere mai in mano o appoggiato alle gambe il pezzo in lavorazione.** Fissare il pezzo in lavorazione ad una piattaforma stabile. È importante fissare il pezzo da lavorare in modo appropriato per ridurre al minimo i contatti con il corpo, inceppamenti della lama e perdite di controllo dell'attrezzo.
- e) **Tenere l'utensile solo utilizzando le apposite superfici, in particolare durante l'esecuzione di operazioni nelle quali l'accessorio per il taglio può venire a contatto con cavi nascosti o con il proprio cavo di alimentazione.** L'accessorio di taglio può venire a contatto con un cavo alimentato e la corrente può passare attraverso le parti metalliche dell'utensile e esporre l'operatore al rischio di folgorazione.
- f) **Quando si eseguono tagli longitudinali, usare una guida di taglio oppure una guida di scorrimento rettilinea.** In questo modo si migliora l'accuratezza del taglio e si riducono le possibilità d'inceppamento della lama.
- g) **Usare sempre lame con dimensioni e forma corrette (romboidale piuttosto che tonda) rispetto ai fori per l'albero della sega circolare.** Le lame che non corrispondono al sistema di montaggio della sega, funzioneranno in modo anomalo e provocheranno la perdita di controllo.
- h) **Non usare mai rondelle o bulloni delle lame che siano danneggiati o inappropriati.** Le rondelle ed i bulloni delle lame sono progettati in modo specifico per la sega, per fornire prestazioni ottimali e sicurezza operativa.

ALTRE ISTRUZIONI DI SICUREZZA PER TUTTE LE SEGHE

Cause dei contraccolpi ed istruzioni per prevenirli:

- I contraccolpi sono reazioni immediate all'inceppamento, inceppamento o mancato allineamento delle lame che provocano il sollevamento e l'allontanamento incontrollato dell'attrezzo dal pezzo in lavorazione verso l'operatore.
- Quando la lama è incastrata o inceppata saldamente nel solco del taglio, la lama va in stallo e la reazione del motore porta la sega rapidamente verso l'operatore.
- Se la lama si deforma o perde l'allineamento con il taglio, i denti della parte posteriore possono scavare la superficie del legno provocando la fuoriuscita della lama dal solco facendo saltare la sega verso l'operatore.

I contraccolpi sono il risultato di un abuso della sega e/o di procedure o condizioni operative scorrette che possono essere evitate adottando le precauzioni appropriate riportate di seguito.

- a) **Mantenere una presa salda sulla sega ed impostare le braccia per resistere alla forza del contraccolpo. Impostare il corpo ai lati della lama, non in linea con la lama.** Il contraccolpo può provocare rimbalzi della sega, però la forza del contraccolpo può essere controllata dall'operatore se sono prese le precauzioni appropriate.
- b) **Quando la è inceppata, oppure quando si interrompe il taglio per qualsiasi motivo, rilasciare il grilletto e tenere ferma la sega sul materiale finché la lama si è fermata completamente. Non tentare mai di rimuovere la sega dal pezzo in lavorazione, oppure di estrarre la sega mentre la lama è in movimento, diversamente si provoca il contraccolpo.** Trovare e risolvere la causa dell'inceppamento della lama.
- c) **Quando si riavvia la macchina sul pezzo in lavorazione, centrare la sega nel solco del taglio e verificare che i denti non siano impegnati nel materiale.** Se la lama è inceppata, potrebbe scattare in avanti o

rimbalzare dal pezzo in lavorazione come è riavviata la sega.

- d) Fissare i pannelli di grandi dimensioni per ridurre al minimo il rischio di inceppamenti della lama e di contraccolpi. I pannelli di grandi dimensioni tendono a collassare sotto il loro stesso peso.** I supporti devono essere collocati sotto entrambi i lati dei pannelli, vicino alla linea di taglio e sui lati del pannello.
- e) Non usare lame spuntate o danneggiate.** Lame spuntate o installate in modo inappropriato, producono solchi ridotti che causano una eccessiva frizione, l'inceppamento della lama ed il contraccolpo.
- f) Prima di eseguire il taglio le leve di blocco della profondità di taglio e del taglio a bisello devono essere strette e bloccate.** Se la regolazione della lama si sposta durante il taglio, si verifica inceppamento della lama ed il contraccolpo.
- g) Usare particolare attenzione quando si eseguono segare su pareti o altre zone cieche.** La lama può tagliare oggetti che provocano in contraccolpi.

NORME DI SICUREZZA PER LE SEGHE (SEGHE CIRCOLARI CON PROTEZIONE INFERIORE ROTANTE)

Funzione di protezione inferiore

- a. Prima di ogni uso verificare che la protezione inferiore si chiuda in modo appropriato. Non usare la sega se la protezione inferiore non si muove liberamente e non si chiude istantaneamente. Non fissare né legare mai la protezione inferiore in posizione di apertura.** Se la sega è fatta cadere accidentalmente, la protezione inferiore può deformarsi. Sollevare la protezione inferiore con la maniglia retrattile ed assicurarsi che si muova liberamente e non tocchi la lama o altre parti, in tutte le angolazioni e profondità di taglio.
- b. Controllare il funzionamento della**

molla della protezione inferiore. Se la protezione e la molla non funzionano in modo appropriato, devono essere riparate prima dell'uso. La protezione inferiore può funzionare in modo rallentato a causa di parti danneggiate, depositi gommosi, oppure un accumulo di sporcizia.

- c. La protezione inferiore deve essere aperta manualmente solamente per tagli speciali come i "tagli ad affondo" ed i "tagli complessi". Sollevare la protezione inferiore usando la maniglia retrattile che deve essere abbassata come la lama affonda nel materiale.** Per tutti gli altri tagli, la protezione inferiore deve sempre funzionare automaticamente.
- d. Accertarsi sempre che la protezione inferiore copra la lama prima di appoggiare la sega su mobili o sul pavimento.** Questo eviterà di danneggiare i mobili o il pavimento. Prestare attenzione al tempo che impiega la lama per fermarsi dopo avere rilasciato l'interruttore.

ALTRE ISTRUZIONI DI SICUREZZA DELLA SEGA CIRCOLARE

1. Indossare sempre una mascherina antipolvere, e protezione per gli occhi e per le orecchie.
2. Usare solamente le lame raccomandate nelle specifiche.
3. Usare esclusivamente lame con diametro conforme a quello contrassegnato

ULTERIORI NORME DI SICUREZZA PER LE MACCHINA DA TAGLIO

- a) La protezione fornita deve essere fissata in modo sicuro all'elettrotensile e posizionata in modo da garantire la massima sicurezza affinché solo una minima parte del disco sia esposta verso l'operatore. Sia l'operatore che le altre persone devono tenersi lontano**

dal piano del disco in rotazione. La protezione aiuta a proteggere l'operatore da eventuali frammenti provenienti dalla rottura del disco e evita il contatto accidentale con il disco.

b) Utilizzare solo dischi da taglio diamantati per lo strumento elettrico.

Il fatto che sia possibile attaccare gli accessori sull'utensile non è garanzia di funzionamento sicuro.

c) La velocità nominale dell'accessorio deve essere almeno pari alla velocità massima dell'utensile.

Accessori con velocità superiori a quella nominale possono essere proiettati via.

d) I dischi devono essere utilizzati solo per le applicazioni specifiche per le quali sono stati realizzati. Ad esempio: non smerigliare con il fianco di dischi di taglio.

I dischi abrasivi da taglio sono realizzati per smerigliare sul diametro, e le forze applicati sui lati possono farli saltare sulla superficie di lavoro.

e) Utilizzare sempre flangie delle dimensioni e forma corretti per il disco selezionato.

Le flangie idonee supportano il disco, riducendo così la possibilità di rottura del disco.

f) Non utilizzare dischi consumati, provenienti da utensili di dimensioni maggiori. I dischi realizzati per utensili di dimensioni maggiori non sono idonei per le velocità più elevate di utensili più piccoli e potrebbero rompersi.

g) Il diametro esterno e lo spessore dell'accessorio devono essere compresi in quelli accettati dall'utensile. Non è possibile proteggere o controllare in modo adeguato accessori di dimensioni errate.

h) Le dimensioni di dischi abrasivi e flange devono adattarsi perfettamente al mandrino portamola dell'elettrostrumento. Portautensili e flange che non si adattano perfettamente al mandrino portamola dell'elettrostrumento non ruotano in modo uniforme, vibrano molto forte e possono provocare la perdita del controllo.

i) Non utilizzare mai dischi danneggiati.

Prima di ogni utilizzo, controllare i dischi per verificare che non vi siano scheggiature o crepe. Se l'elettrostrumento oppure il disco impiegato dovesse sfuggire dalla mano e cadere, accertarsi che questo non abbia subito nessun danno oppure utilizzare un disco intatto. Una volta controllato e montato il disco, far funzionare l'elettrostrumento per la durata di un minuto con il numero massimo di giri avendo cura di tenersi lontani e di impedire anche ad altre persone presenti di avvicinarsi al disco in rotazione. Nella maggior parte dei casi i dischi danneggiati si rompono nel corso di questo periodo di prova.

j) Indossare dispositivi di protezione individuali. In funzione dell'applicazione, usare una maschera per il volto, occhiali protettivi o occhiali di sicurezza. Se necessario indossare una mascherina per la polvere, dispositivi di protezione per l'udito, guanti e grembiule in grado di arrestare eventuali frammenti di piccole dimensioni.

La protezione degli occhi deve essere in grado di arrestare piccoli frammenti generate dalle diverse operazioni. La mascherina antipolvere e il respiratore devono essere in grado di filtrare le particelle che si creano con il lavoro. L'esposizione prolungata a rumori molto forti può provocare la perdita dell'udito.

k) Far sostare altre persone a distanza di sicurezza dall'area di lavoro. Chi accede all'area di lavoro deve indossare un dispositivo di protezione individuale.

Frammenti del pezzo in lavorazione oppure dischi rotti possono volar via oppure provocare incidenti anche al di fuori della zona diretta di lavoro.

l) Tenere l'utensile solo utilizzando le apposite superfici, in particolare durante l'esecuzione di operazioni nelle quali l'accessorio per il taglio può venire a contatto con cavi nascosti o con il proprio cavo di alimentazione.

L'accessorio di taglio può venire a contatto con un cavo alimentato e la corrente può

passare attraverso le parti metalliche dell'utensile e esporre l'operatore al rischio di folgorazione.

- m) Posizionare il cavo in modo che sia distante dall'accessorio rotante.** Se si perde il controllo sull'elettrotensile vi è il pericolo di trancare o di colpire il cavo di collegamento elettrico e la Vostra mano o braccio può arrivare a toccare il disco in rotazione.
- n) Non poggiare mai l'utensile fino a quando l'accessorio non si è arrestato completamente.** Il disco in rotazione può entrare in contatto con la superficie di appoggio facendoVi perdere il controllo dell'elettrotensile.
- o) Non azionare l'utensile mentre lo si trasporta lateralmente.** Il contatto accidentale con l'accessorio in rotazione potrebbe far catturare parti degli indumenti, che verrebbero trascinati all'interno dell'accessorio.
- p) Pulire con regolarità le aperture per la ventilazione dell'utensile.** Le ventole del motore aspirano all'interno della scocca la polvere, e un accumulo eccessivo di polvere può esporre al rischio di folgorazioni.
- q) Non azionare l'utensile in prossimità di materiali infiammabili.** Le scintille potrebbero provocare l'accensione di tali materiali.
- r) Non usare accessori che richiedono refrigeranti liquidi.** L'uso di refrigeranti liquidi, quali acqua o altri liquidi, può esporre al rischio di folgorazione elettrica.

Il rischio di rimbalzo indietro e avvisi relativi

Il contraccolpo è una reazione improvvisa al blocco di un disco rotante agganciato o bloccato. Il blocco causa uno stallo immediato del disco rotante che a sua volta provoca, nel punto del blocco, la spinta dello strumento elettrico in direzione opposta a quella del disco rotante.

Ad esempio, se un disco abrasivo si inceppa nel pezzo in lavorazione, il bordo esterno del disco che sta penetrando nel punto in cui si verifica l'inceppamento può affondare di più nella superficie del materiale, e di conseguenza il disco potrebbe saltare indietro. Il disco può

saltare verso l'operatore o allontanarsi da esso, in relazione alla direzione di rotazione del disco nel punto in cui si verifica l'inceppamento. Inoltre i dischi abrasivi possono rompersi in queste condizioni.

Il rimbalzo indietro è il risultato di un uso e/o procedure errate, o di condizioni che possono essere evitate se si adottano le misure di sicurezza fornite di seguito.

- a) Mantenere una presa salda sull'utensile e posizionare corpo e braccio in modo da opporre resistenza ad un eventuale rimbalzo. Utilizzare sempre le impugnature ausiliarie, se fornite, per esercitare il controllo massimo in caso di rimbalzo indietro o di reazioni all'avvio.** L'operatore è in grado di controllare eventuali rimbalzi indietro, se si sono prese le misure adeguate.
- b) Non posizionare mai la propria mano in prossimità dell'accessorio in rotazione.** Gli accessori possono rimbalzare e colpire la mano.
- c) Non collocare il corpo in linea con il disco rotante.** In caso di rimbalzo, l'utensile viene spinto in direzione opposta a quella del movimento del disco nel punto in cui si verifica l'inceppamento.
- d) Prestare attenzione particolare quando si opera su angoli, bordi acuminati, ecc., evitare di avvicinare l'accessorio facendolo rimbalzare.** Angoli, bordi acuminati hanno la tendenza a far rimbalzare l'accessorio con conseguente perdita del controllo o rimbalzo indietro.
- e) Non attaccare una catena, una lama per sculture di legno, dischi diamantati con un distacco superiore a 10 mm o seghe dentate.** Questo tipo di lama crea frequenti rimbalzi all'indietro con conseguente perdita del controllo.
- f) Non "bloccare" il disco o applicare una pressione eccessiva. Evitare di fare tagli troppo profondi.** Se si sottopone a stress eccessivo il disco, si aumentano le possibilità che il disco si pieghi con conseguente rischio di rimbalzo indietro o di rottura del disco.
- g) Se il disco si sta piegando o quando si interrompe il taglio per una qualsiasi**

ragione, spegnere e l'utensile e tenerlo fino all'arresto complete del disco . Non tentare mai di estrarre il disco abrasivo dal taglio in esecuzione perché si potrebbe provocare un contraccolpo. Eliminare le cause probabili che hanno portato alla piegatura del disco.


- h) Non riavviare l'operazione di taglio del pezzo. Attendere che il disco sia arrivato alla velocità massima e rientrare nel taglio con attenzione.** Se l'utensile viene riavviato all'interno del taglio, il disco potrebbe piegarsi, saltare in avanti o rimbalzare indietro.
- i) Sostenere pannelli e qualsiasi oggetto di lavorazione di grandi dimensioni per evitare che il disco si blocchi e causi un rimbalzo indietro.** Gli oggetti di grandi dimensioni tendono a piegarsi sotto il proprio peso. Collocare dei sostegni sotto l'oggetto in prossimità della linea di taglio, su entrambi i lati del disco.
- j) Prestare particolare attenzione nella esecuzione di tagli cechi in pareti o altre parti non a vista.** Il disco potrebbe tagliare tubazioni dell'acqua o del gas, cavi elettrici o altri oggetti che potrebbero provocare il rimbalzo indietro dell'apparecchiatura.

56

ALTRE ISTRUZIONI DI SICUREZZA

1. Indossare sempre una mascherina antipolvere

ISTRUZIONI DI SICUREZZA PER IL LASER

 **ATTENZIONE! È assolutamente necessario leggere attentamente tutte le istruzioni.** Eventuali errori nell'adempimento delle istruzioni qui di seguito riportate potranno causare scosse elettriche, incendi e/o lesioni gravi.

Conservare tutti gli avvisi e le istruzioni per poterle consultare quando necessario.

Questi laser di norma non rappresentano un pericolo per gli occhi, tuttavia l'osservazione diretta del raggio laser può provocare accecamenti. Non guardare direttamente il raggio laser.

Esistono pericoli se si guarda deliberatamente il raggio laser; osservare tutte le seguenti regole di sicurezza:

- 1. Il laser deve essere usato e mantenuto in accordo alle istruzioni del produttore.**
- 2. Non puntare mai il raggio laser verso le persone oppure oggetti diversi dal pezzo in lavorazione.**
- 3. Il raggio laser non deve essere puntato deliberatamente verso le persone e non deve essere diretto agli occhi delle persone per più di 0.25 secondi.**
- 4. Assicurarsi sempre che il raggio laser sia puntato su pezzi solidi e senza superfici riflettenti; il legno e superfici grezze sono accettabili.** Fogli metallici lucidi e riflettenti, e simili, non sono adatti per le applicazioni laser, perché la superficie può ri-dirigere il raggio laser all'operatore.
- 5. Non cambiare il dispositivo laser con uno di tipo diverso.** Le riparazioni devono essere eseguite dal produttore o da personale autorizzato.
- 6. ATTENZIONE:** L'uso dei controlli e delle regolazioni, in modo diverso da quello qui specificato, può provocare l'esposizione a radiazioni pericolose.

ISTRUZIONI DI SICUREZZA PER IL LASER DI CLASSE 2

Il dispositivo laser in dotazione all'attrezzo è di Classe 2 con una radiazione massima di 1.5mW ed una lunghezza d'onda di 650 nm.

RADIAZIONI LASER DI CLASSE 2, ON GUARDARE IL RAGGIO LASER

SIMBOLI

	Per ridurre il rischio di lesioni, l'utente deve leggere il manuale di istruzioni
	Doppio isolamento
	Attenzione
	Indossare protezione per le orecchie
	Indossare protezione per gli occhi
	Indossare una mascherina antipolvere
	Non guardare il raggio laser
	Radiazioni laser
	I prodotti elettrici non possono essere gettati tra i rifiuti domestici. L'apparecchio da rottamare deve essere portato al centro di riciclaggio per un corretto trattamento. Controllare con le autorità locali o con il rivenditore per localizzare il centro di riciclaggio più vicino.
	Prima di qualsiasi intervento sulla macchina, scollegare la spina dalla presa di corrente.
	Indossare guanti protettivi

	Legno
	Alluminio
	Metallo
	Non corretto
	Corretto
	Blocco
	Sblocca
	Diamante Disco
	HSS Lama
	TCT Lama

PROCEDURA PER LA CARICA



NOTA: Leggere scrupolosamente il manuale delle istruzioni prima di usare l'attrezzo.

USO CONFORME ALLE NORME:

La macchina è stata realizzata per eseguire tagli longitudinali e trasversali del legno, seguendo linee di taglio dritte. Durante il taglio esercitare una forte pressione sul pezzo in lavorazione.

MONTAGGIO E FUNZIONAMENTO

Azione	Figura
Montaggio E Rimozione Della Lama	Vedere Figura. A
Interruttore D'accensione / Spegnimento	Vedere Figura. B
Taglio Trasversale E Parallelo	Vedere Figura. C1, C2
Utilizzo Della Funzione Luce Laser	Vedere Figura. D1, D2
Sostituzione Delle Batterie Laser	Vedere Figura. E1-E3
Regolazione Della Guida Parallela	Vedere Figura. F1, F2
Regolazione Profondità Taglio	Vedere Figura. G1, G2
Regolazione Angolo Di Taglio	Vedere Figura. H
Taglio Di Finestre	Vedere Figura. I1, I2
Rimozione Dei Trucioli Di Taglio	Vedere Figura. J

SUGGERIMENTI DI LAVORO PER LO STRUMENTO

Se l'attrezzo diventa troppo caldo, impostare la velocità al massimo e farlo funzionare a vuoto per 2-3 minuti in modo da raffreddare il motore. Evitare l'uso prolungato a velocità molto basse. Proteggere le lame di taglio da battute e da colpi. Un avanzamento troppo veloce comporta un sensibile calo della prestazione della

macchina riducendo la durata complessiva delle lame e della macchina. La prestazione di taglio e la qualità del taglio dipendono in modo determinante sia dallo stato che dalla forma dei denti della lama. Per questo motivo è necessario utilizzare soltanto lame che siano ben affilate e che siano adatte al materiale in lavorazione. Scelta delle lame: 24 denti per lavori generici, circa 40 denti per tagli più precisi, più di 40 denti per tagli molto precisi su superfici delicate. Utilizzare solo lame consigliate.

MANUTENZIONE

Rimuovere la spina dalla presa di corrente prima di eseguire qualsiasi regolazione, riparazione o manutenzione.

Mantenere gli utensili affilati e puliti per un rendimento migliore e più sicuro. Osservare le istruzioni per la lubrificazione e la sostituzione degli accessori. Controllare periodicamente i cavi dello strumento e, se danneggiati, farli riparare da personale autorizzato. L'attrezzo non richiede di lubrificazione o manutenzione aggiuntiva. All'interno dell'attrezzo non ci sono parti riparabili da parte dell'utente. Non usare mai acqua o detergenti chimici per pulire l'attrezzo. Pulire con un panno asciutto. Immagazzinare sempre gli attrezzi elettrici in luoghi asciutti. Tenere pulite le aperture di ventilazione del motore.

Se il cavo d'alimentazione è danneggiato, deve essere sostituito dal produttore, il suo distributore o persona egualmente qualificata per evitare pericoli.

Spolverare periodicamente polvere e trucioli dal coprilama e dalla base per garantire le prestazioni corrette.

TUTELA AMBIENTALE



I prodotti elettrici non possono essere gettati tra i rifiuti domestici.

■ L'apparecchio da rottamare deve essere portato al centro di riciclaggio per un corretto trattamento. Controllare con le autorità locali o con il rivenditore per localizzare il centro di riciclaggio più vicino.

RISOLUZIONE GUASTI

Problema	Cause possibili	Possibile soluzione
L'attrezzo non si avvia quando si usa l'interruttore d'accensione/ spegnimento.	Il cavo d'alimentazione non è collegato. Il cavo d'alimentazione è rotto. Le spazzole si sono consumate.	Verificare che il cavo di alimentazione sia collegato in modo appropriato in una presa funzionante. Scollegare il cavo d'alimentazione. Chiedere ad una persona qualificata alla manutenzione di sostituirlo. Chiedere ad una persona qualificata alla manutenzione di sostituire le spazzole.
La profondità di taglio è inferiore a quella impostata.	Sulla parte posteriore della base si è accumulata della segatura.	Scuotere la segatura. Considerare di collegare un sistema d'aspirazione per la raccolta della polvere.
La lama gira o scivola.	Lama non è agganciata strettamente al mandrino.	Rimuovere la lama ed installarla di nuovo come descritto nella sezione INSTALLAZIONE/SOSTITUZIONE DELLA LAMA.
La lama non taglia una linea retta.	La lama non è affilata. La lama non è installata correttamente. La sega non è guidata in modo corretto.	Installare una nuova lama affilata sulla sega. Controllare che la lama sia installata correttamente. Utilizzare una guida parallela.
La lama dà contraccolpi quando si inizia un taglio.	Lama non gira abbastanza velocemente.	Permettere alla lama di raggiungere la massima velocità prima di iniziare un taglio.

DICHIARAZIONE DI CONFORMITÀ

Noi,
POSITEC Germany GmbH
Konrad-Adenauer-Ufer 37
50668 Köln

Dichiara che l'apparecchio ,
Descrizione **Motosega circolare WORX**
Codice **WX427(4-Designazione del
macchinario, rappresentativo della sega)**
Funzione **Taglio di diversi materiali, con
una lama rotante dentata**

È conforme alle seguenti direttive:

2006/42/EC
2004/108/EC
2011/65/EU

Conforme a:

EN 55014-1
EN 55014-2
EN 61000-3-2
EN 61000-3-3
EN 60745-1
EN 60745-2-5
EN 60745-2-22

Il responsabile autorizzato alla compilazione
della documentazione tecnica,

Nome Russell Nicholson
Indirizzo Positec Power Tools (Europe)
Ltd, PO Box 152, Leeds, LS10 9DS, UK

Suzhou 2015/01/21
Allen Ding
Vice capo ingegnere, testing e certificazione

-
- 1. BLOQUEADOR DE CONEXIÓN**

 - 2. SUJECIÓN ERGONÓMICA**

 - 3. LLAVE HEXAGONAL**

 - 4. INTERRUPTOR DE CONEXIÓN/DESCONEXIÓN**

 - 5. BOTÓN DE BLOQUEO DEL HUSILLO**

 - 6. CUBIERTA DE PROTECCIÓN MOVIL**

 - 7. CUBIERTA DE PROTECCIÓN MOVIL**

 - 8. PROTECCIÓN SUPERIOR FIJA**

 - 9. ORIFICIO PARA EXPULSIÓN DE SERRÍN**

 - 10. ADAPTADOR PARA EXTRACTOR DE POLVO**

 - 11. PALANCA DE AJUSTE DE LA PROFUNDIDAD**

 - 12. PLACA BASE**

 - 13. DISCO (Ver Fig. A)**

 - 14. ARANDELA DE ASIENTO DEL DISCO (Ver Fig. A)**

 - 15. TORNILLO DE FIJACIÓN DEL DISCO (Ver Fig. A)**

 - 16. TOPE PARALELO**

 - 17. PIEZA DE FIJACIÓN DE LA GUÍA PARALELA**

 - 18. PALANCA DE AJUSTE DE LA INCLINACIÓN**

 - 19. ARANDELA DE FIJACIÓN DEL DISCO (Ver Fig. A)**

 - 20. LÁSER**

 - 21. DISPOSITIVO DEL LASER**


 - 22. PILAS DEL LÁSER (Dos) (Ver Fig. E2)**

 - 23. INDICADOR DE ALINEACIÓN DE LA CUCHILLA**
-

Los accesorios ilustrados o descritos pueden no corresponder al material suministrado de serie con el aparato.

DATOS TÉCNICOS

Modelo **WX427(4 - denominaciones de maquinaria, representantes de sierras)**

Tensión:		230-240V ~ 50Hz
Potencia :		710W
Carreras en vacío:		3700/min
Diámetro exterior de disco	Disco(TCT)	120mmx1.2mmx9.5mmx24T
	Disco (HSS)	115mmx1.2mmx9.5mmx60T
	Disco de diamante	115mmx1.6mmx9.5mmx60G
Capacidad máxima de Corte	Profundidad de corte a 90°	46mm
	Profundidad de corte a 45°	30mm
Tamaño del eje		9.5mm
Máximo grosor recomendado para el material	Madera	46mm
	Aluminio	2.5mm
	PVC Caños (diámetro)	46mm
	Azulejos	12mm
	Acero de hoja	0.5mm
Tamaño rosca husillo		M5
Grosor de la hoja de sierra	Disco(TCT)	0.8mm
	Disco (HSS)	0.65mm
	Disco de diamante	1mm
Pila del láser modelo n°		LR44 1.5V
Doble aislamiento		
Peso		2.3kg

62

INFORMACIÓN DE RUIDO

Nivel de presión acústica de ponderación L_{pA} : 76dB(A)

Nivel de potencia acústica de ponderación L_{wA} : 87dB(A)

K_{pA} & K_{wA} 3.0dB(A)


Utilícese protección auditiva

INFORMACIÓN DE VIBRACIÓN


Los valores totales de vibración se determinan según la norma EN60745:

Valor de emisión de vibración:	Corte en madera: $a_{h,W} = 6.82\text{m/s}^2$
	Incertidumbre $K = 1.5\text{m/s}^2$
	Corte en metal: $a_{h,M} = 5.63\text{m/s}^2$
	Incertidumbre $K = 1.5\text{m/s}^2$
	Corte en azulejos: $a_h = 6.91\text{m/s}^2$
	Incertidumbre $K = 1.5\text{m/s}^2$

El valor total de vibración declarado se puede utilizar para comparar una herramienta con otra y también en una evaluación preliminar de exposición.

 **ADVERTENCIA:** El valor de emisión de vibraciones durante el uso de la herramienta podría diferir del valor declarado dependiendo de la forma en que se use la herramienta según los ejemplos siguientes, y otras variaciones sobre el uso de la herramienta: Cómo se utiliza la herramienta y se cortan o perforan los materiales. Si la herramienta se encuentra en buenas condiciones de mantenimiento. Si se utiliza el accesorio correcto para la herramienta y se garantiza que está afilado y en buenas condiciones. Si se agarran las asas firmemente y se utilizan accesorios antivibración. Y si la herramienta se utiliza según su diseño y estas instrucciones.

Esta herramienta podría causar síndrome de vibración del brazo y la mano si no se utiliza correctamente.


 **ADVERTENCIA:** Para conseguir una mayor precisión, debe tenerse en cuenta una estimación del nivel de exposición en condiciones reales de todas las partes del ciclo de uso, como los tiempos durante los que la herramienta está apagado o cuando esta en funcionamiento pero no está realizando ningún trabajo. Ello podría reducir notablemente el nivel de exposición sobre el periodo de carga total. Ayuda a minimizar el riesgo de exposición a la vibración. Utilice SIEMPRE cinces, brocas y cuchillas afiladas. Mantenga esta herramienta de acuerdo con estas instrucciones y bien lubricada (si es necesario). Si la herramienta se utiliza regularmente, invierta en accesorios antivibración. Evite el uso de herramientas a temperaturas de 10°C o menos. Planifique su programa de trabajo para distribuir el uso de la herramienta a lo largo de varios días

ACCESORIOS

Disco(TCT): 24T para madera (WA5046)	1
Disco (HSS): 60T para planchas de acero delgadas y aluminio, tubos de PVC, plástico (WA5047)	1
Disco de diamante: 60G para hormigón, mármol, baldosas y placas de cemento (WA5048)	1
Guía Paralela	1
Adaptador para aspirador	1
Llave hexagonal	1

Recomendamos que adquiera todos sus accesorios en el mismo comercio donde compró la herramienta. Utilice accesorios de buena calidad y de marca reconocida. Elija los accesorios de acuerdo con el trabajo que pretende realizar. Consulte los estuches de los accesorios para más detalles. El personal del comercio también puede ayudar y aconsejar.

INSTRUCCIONES DE SEGURIDAD PARA TODAS LAS SIERRAS

- a)  **ADVERTENCIA Colocar las manos lejos de la superficie de corte y del disco.** Si ambas manos sostienen la sierra, Ud tendrá una mejor estabilidad y evitará cortarse con el disco.
- b) **No pasar bajo la pieza está cortando.** La cubierta protectora le protege sobre la pieza de trabajo pero no debajo de lesta.
- c) **Ajustar la profundidad de corte al grueso de la pieza que debe trabajar.** Si el grueso de la pieza es inferior a la profundidad de corte seleccionada, Ud debe tomar precauciones, ya que el disco sobresaldrá debajo de la pieza.
- d) **Nunca mantener la pieza a cortar con las manos o entre los brazos.** Asegurar la pieza a trabajar en una superficie estable. Es importante fijar (asegurar) la pieza con el fin de evitar todo riesgo de herida.
- e) **Sostenga la herramienta únicamente por medio de superficies aislantes, al realizar una operación en la que el accesorio de corte pueda entrar en contacto con cableado oculto o con su propio cable.** Si el accesorio de corte entra en contacto con un cable "activo", podría generar una descarga hacia el usuario.
- f) **Durante el corte, utilizar una guía paralela.** Esto mejora la precisión del corte y evita que el disco se agarrote.
- g) **Siempre utilizar discos de dimensión y diámetro interior correcto e indicados en el manual.** Discos que no acaten las características de este manual, no girarán correctamente, generando una pérdida de control para el usuario.
- h) **Nunca utilizar discos, arandelas o tuercas dañados o no conformes a este manual.** Los discos, arandelas y tuercas deben estar en perfectas condiciones de uso.

CONSEJOS ADICIONALES SE SEGURIDAD PARA SU SIERRA

Causas y forma de prevenir los enganchones o frenadas bruscas del disco :

- Este fenómeno puede ser, y debido a la mala alineación del disco, dando como resultado una pérdida de control del usuario, y un repentino y brusco tirón del disco y la herramienta hacia el usuario.
- Es importante ser precabido con estos fenómenos con el fin de evitar todo riesgo de heridas.
- Si el disco se frena o se alinea mal en el corte, éste corre el riesgo de reaccionar en dirección al usuario.

Este fenómeno es el resultado de una mala utilización y/o de un mal montaje y/o de la utilización de discos no adecuados ; y puede evitarse siguiendo escrupulosamente las instrucciones de este manual.

- a) **Mantener firmemente la sierra para resistir cualquier tipo de reacción o tirón.** Colocar el cuerpo con objeto de ejercer una fuerza de cada lado del disco y no en alineación con el. La reacción de disco hacia el usuario puede evitarse tomando las precauciones necesarias.
- b) **Cuando detenga el corte, suelte primero el interruptor y mantenga la sierra en la pieza hasta que el disco se detenga completamente.** Nunca intente retirar la sierra de la pieza cuando el disco esté girando, pues podría ser sorprendido por una brusca reacción del disco y la herramienta hiriendole seriamente. Tome las precauciones necesarias para evitar estas reacciones.
- c) **Cuando vuelva a poner en marcha su sierra sobre una pieza, centre la cuchilla y compruebe que los dientes del disco no están en contacto con la pieza.** Si los dientes estuvieran en contacto con la pieza, el enganchón sería inevitable en el momento de la puesta en marcha.
- d) **Sostener (con ayuda de tablas ...) los tablones amplios con el fin de evitar el pellizco y frenado del disco.** Las tablas deben colocarse debajo y a cada

lado del tablón, cerca de la línea de corte y del borde del mismo.

- e) No utilice discos gastados o dañados.** Discos mal afilados o no conformes a este manual, implican una fricción excesiva y en consecuencia un riesgo importante de enganchones.
- f) Las palancas de bloqueo de profundidad e inclinación deben apretarse correctamente antes de emprender un corte.** Si las palancas de ajuste no se aprietan correctamente, existe un riesgo importante de pellizco del disco y su bloqueo.
- g) Cuando realice cortes donde el grosor del material supere en radio del disco,** tome las máximas precauciones en cuanto a la existencia de componentes metálicos o peligrosos en su interior que puedan ocasionar enganchones del disco.

INSTRUCCIONES DE SEGURIDAD PARA LAS SIERRAS (SIERRA CIRCULAR CON PROTECCIÓN INFERIOR PIVOTANTE)

Función de protección inferior

- a. Verifique que cubierta inferior de protección cierre apropiadamente antes de cada uso. No accione la sierra si esta no se mueve libremente ni se cierra inmediatamente. Nunca ate o fije con abrazaderas la cubierta inferior de protección en la posición abierta.** Si la sierra se cae accidentalmente, la cubierta inferior puede doblarse. Levántela con el mango retráctil y cerciórese de que se mueva libremente y que no toque el disco u otras partes en todos los ángulos y profundidades de corte.
- b. Compruebe el funcionamiento del resorte de la cubierta inferior. Si la cubierta y el resorte no están funcionando correctamente, deben ser revisados por un técnico cualificado antes del uso.** La cubierta inferior puede

funcionar lentamente debido a piezas dañadas, restos gomosos o acumulación de desechos.

- c. La cubierta inferior debe ser plegada manualmente solo en casos de cortes especiales, como cortes mediante descenso vertical o cortes compuestos. Levante la cubierta inferior por el mango retráctil y cuando el disco penetre en el material, la cubierta deberá ser soltada.** Para las demás operaciones de aserrado, la cubierta inferior debe funcionar automáticamente.
- d. Siempre verifique que la cubierta de protección inferior esté cubriendo el disco antes de colocar la sierra sobre el banco o el suelo.** Asegúrese de que el disco está montado en la posición correcta y de que el tornillo de fijación se encuentra bien apretado. Tome nota del tiempo que tarda la hoja en detenerse una vez que el interruptor ha sido apagado.

INSTRUCCIONES ADICIONALES DE SEGURIDAD PARA SU HERRAMIENTA

1. Use siempre una máscara antipolvo, protección auditiva y protección ocular.
2. Utilice solamente los discos de sierra recomendados en las especificaciones.
3. Use sólo hojas de diámetro acorde con las indicaciones.

INSTRUCCIONES ADICIONALES DE SEGURIDAD PARA MÁQUINA DE CORTE

- a) Para garantizar una máxima seguridad, la protección que acompaña a la herramienta debe montarse y fijarse firmemente a la herramienta eléctrica, con el fin de que el operador quede expuesto a la menor superficie**

- posible de rueda. Todas las personas deben colocarse apartadas del plano de la rueda.** La protección ayuda a proteger al usuario de los fragmentos de rueda rotos, así como el contacto accidental con la rueda.
- b) Utilice únicamente ruedas de corte de diamante para la herramienta eléctrica.** El hecho de que pueda colocar un accesorio en su herramienta no implica que su uso sea seguro.
- c) La velocidad nominal del accesorio debe ser al menos igual a la velocidad máxima marcada en la herramienta.** Los accesorios que funcionen por encima de su velocidad nominal podrían salir disparados.
- d) Las ruedas deben utilizarse únicamente para las aplicaciones recomendadas. Por ejemplo: no realice amoladuras con el borde de una rueda de corte.** Las ruedas de corte abrasivo se fabrican para la amoladura periférica. La aplicación de fuerza lateral sobre este tipo de ruedas puede causar su vibración.
- e) Utilice siempre bridas de rueda sin daños, del tamaño y forma correctos para la rueda seleccionada.** Las bridas de rueda adecuadas soportan la rueda y reducen la posibilidad de rotura de la rueda.
- f) No utilice ruedas desgastadas de herramientas más grandes.** Las ruedas diseñadas para herramientas más grandes no son adecuadas para herramientas de mayor velocidad o más pequeñas y podrían explotar.
- g) El diámetro exterior y el grosor del accesorio debe encontrarse dentro de la capacidad de su herramienta.** Los accesorios del tamaño incorrecto no podrán protegerse y controlarse correctamente.
- h) El tamaño del eje de las ruedas y bridas debe adaptarse correctamente al husillo de la herramienta eléctrica.** Si las ruedas y bridas con ejes perforados no coinciden con las piezas de montaje de la herramienta eléctrica, se producirá desequilibrio y vibraciones excesivas, y podrían hacerle perder el control de la herramienta.
- i) No utilice ruedas deterioradas. Antes de utilizar la herramienta, compruebe que las ruedas no estén astilladas ni fisuradas. Si la herramienta eléctrica o la rueda se caen al suelo, compruebe que no hayan resultado dañadas y monte una rueda en buen estado. Después de inspeccionar e instalar la rueda, todas las personas deben alejarse del plano de la rueda y la herramienta eléctrica debe hacerse funcionar a la máxima velocidad sin carga durante un minuto.** Normalmente, las ruedas deterioradas suelen romperse durante esta fase de prueba.
- j) Utilice equipamiento de protección personal. Dependiendo de la aplicación, utilice escudos faciales, gafas de seguridad o protección ocular. Si es necesario, utilice una máscara antipolvo, protectores auditivos, guantes y delantal que permitan detener los pequeños fragmentos abrasivos.** La protección ocular debe detener los residuos voladores generados por las distintas operaciones. La máscara antipolvo o el respirador deben ser capaces de filtrar partículas generadas por el uso. La exposición prolongada a ruidos de alta intensidad podría provocar problemas auditivos.
- k) Mantenga a los observadores a una distancia segura, alejados del área de trabajo. Cualquier persona que penetre en el área de trabajo debe utilizar equipamiento de protección personal.** Podrían salir despedidos fragmentos de pieza de trabajo o de rueda rota y provocar lesiones personales más allá del entorno de funcionamiento inmediato.
- l) Sostenga la herramienta únicamente por medio de superficies aislantes, al realizar una operación en la que el accesorio de corte pueda entrar en contacto con cableado oculto o con su propio cable.** Si el accesorio de corte entra en contacto con un cable "activo", podría generar una descarga hacia el usuario.

- m) Coloque el cable lejos de los accesorios giratorios.** Si pierde el control de la herramienta, el cable podría cortarse o engancharse y arrastrarle la mano o el brazo hacia la rueda.
- n) No deposite la herramienta hasta que el accesorio se haya detenido por completo.** La rueda podría engancharse en la superficie y arrastrar la herramienta eléctrica, haciéndole perder el control.
- o) No utilice la herramienta mientras la transporta a un lado.** El contacto accidental con el accesorio giratorio podría arrastrar su ropa, atrayendo el accesorio hacia su cuerpo.
- p) Limpie regularmente las ventilaciones de la herramienta.** El ventilador del motor arrastra el polvo hacia el interior de la carcasa, y la acumulación excesiva de polvo metálico podría generar riesgos eléctricos.
- q) No utilice la herramienta cerca de materiales inflamables.** Las chispas podrían prender los materiales.
- r) No utilice accesorios que requieran refrigerantes líquidos.** El uso de agua u otros refrigerantes líquidos podría provocar una electrocución o descarga.

Advertencias sobre retroceso y relacionadas

El retroceso es una reacción brusca al agarrotamiento o atascamiento de la rueda cuando está girando. El agarrotamiento y el atascamiento hacen que la rueda deje de girar inmediatamente, lo que hace que la herramienta eléctrica se mueva en la dirección opuesta a la que estaba girando la rueda. Por ejemplo, si una rueda de lijado queda atascada en la pieza de trabajo, el borde de la rueda que entra en la superficie del material podría producir un retroceso. La rueda podría saltar hacia el usuario o en dirección contraria, dependiendo de la dirección de movimiento de la rueda en el punto del atasco. Las ruedas de lijado podrían además romperse en estas condiciones.

El retroceso es el resultado del mal uso de la herramienta y/o un procedimiento de uso o condición que pudiera evitarse tomando las precauciones siguientes.

- a) Mantenga agarrada la herramienta con firmeza y coloque su cuerpo y sus brazos de forma que pueda resistir las fuerzas de retroceso. Utilice siempre el asa auxiliar, si existe, para mantener el máximo control del retroceso o la reacción de torsión durante el arranque.** El usuario puede controlar la reacción de torsión o las fuerzas de retroceso si se toman las precauciones adecuadas.
- b) Nunca coloque las manos cerca del accesorio giratorio.** El accesorio podría retroceder sobre su mano.
- c) No coloque su cuerpo en línea con la rueda cuando esté girando.** La fuerza de retroceso empujará la herramienta en dirección opuesta al movimiento de la rueda en el punto del atasco.
- d) Tenga especial cuidado al trabajar en esquinas, bordes afilados, etc. Evite hacer rebotar el accesorio.** Las esquinas, bordes afilados o botes tienen tendencia a atascar el accesorio giratorio y causan la pérdida de control o el retroceso.
- e) No monte cadenas de sierra, hojas para madera ni ruedas de diamante segmentadas con una holgura periférica superior a 10 mm, así como tampoco hojas de sierra dentadas.** Con frecuencia, dichas hojas crean fuerzas de retroceso y situaciones de pérdida de control.
- f) No "atasque" la rueda ni ejerza una presión excesiva. No intente hacer un corte demasiado profundo.** Si fuerza la rueda aumentará la carga y la susceptibilidad de torcedura de la rueda en el corte, aumentando la posibilidad de retroceso o rotura de la rueda.
- g) Si la rueda está sujeta o al interrumpir un corte por cualquier razón, desactive la herramienta y sostenga la herramienta sin movimiento hasta que se detenga por completo. No intente nunca extraer la rueda del corte mientras esté en movimiento, ya que podría producirse retroceso.** Investigue y tome las acciones correctoras necesarias para eliminar la causa del atasco en la rueda.

h) No vuelva a iniciar la operación de corte con la pieza de trabajo. Deje que la rueda alcance toda la velocidad antes de comenzar el corte. La rueda podría atascarse o provocar una fuerza de retroceso si vuelve a colocarse sobre la pieza de trabajo.


i) Coloque paneles de apoyo o piezas de trabajo más grandes para minimizar el riesgo de atascar la rueda. Las piezas de trabajo grandes tienden a doblarse por su propio peso. El soporte debe colocarse bajo la pieza de trabajo, cerca de la línea de corte y del borde de la pieza de trabajo, en ambos lados de la rueda.

j) Tenga especial cuidado al realizar un corte en una pared u otra zona de la que no conozca el interior. La rueda sobresaliente podría cortar tuberías de gas o agua, cableado eléctrico u objetos que podrían causar retrocesos.

INSTRUCCIONES ADICIONALES DE SEGURIDAD:

1. Use siempre una máscara antipolvo.

TÓPICOS DE SEGURIDAD PARA SU LASER

 **¡ ADVERTENCIA! Leer todas las instrucciones.** Si no se respetan las instrucciones, existe un riesgo de descargas eléctricas, de incendio y/o de graves heridas.

Conserve todas las advertencias e instrucciones para futuras consultas. Normalmente estos lasers no presentan riesgo ocular alguno, aunque mirar fijamente el haz puede causar deslumbramiento.

No fije su vista directamente en el rayo laser, ya que puede existir cierto riesgo; por favor, siga todas las reglas de seguridad que se enumeran a continuación:

1. El laser debe ser utilizado y mantenido

de acuerdo con las instrucciones del fabricante.

2. Nunca apunte el haz hacia una persona u objeto, a excepción de la pieza de trabajo.

3. El rayo laser no debe ser dirigido deliberadamente hacia otra persona ni menos hacia el ojo de una persona por más 0,25 segundos.

4. Cuide siempre de que el rayo laser apunte hacia una pieza de trabajo robusta sin superficies reflexivas. Las superficies revestidas en madera o recubrimientos bastos son aceptables.

Las hojas de acero reflectivo brillante o similares no son convenientes para las aplicaciones del laser, ya que la superficie reflexiva puede redireccionar el rayo laser hacia el operador.

5. No cambie el dispositivo laser por otro de diferente tipo. Las reparaciones deben ser realizadas por el fabricante o un agente autorizado.

6. PRECAUCIÓN: El uso de controles o ajustes diferentes de los aquí especificados puede dar lugar a la exposición de radiación peligrosa.

TÓPICOS DE SEGURIDAD PARA SU LASER DE CLASE 2

El dispositivo laser que lleva esta herramienta es de clase 2 con una radiación máxima de 1.5mW y una longitud de onda de 650nm.

RADIACIÓN LÁSER DE CLASE 2, NO PERMANEZCA ANTE EL HAZ


SÍMBOLOS

	Para reducir el riesgo de lesión, lea el manual de instrucciones
	Doble aislamiento
	Advertencia
	Utilice protección auditiva
	Utilice protección ocular
	Utilice una máscara antipolvo
	No permanezca ante el haz
	Radiación láser
	Los residuos de aparatos eléctricos y electrónicos no deben depositarse en la basura doméstica. Se deben reciclar en las instalaciones especializadas. Consulte a las autoridades locales o el establecimiento para saber cómo reciclar estos productos.
	Antes de empezar una intervención en la propia máquina, desenchufe la clavija de red de la toma de corriente.
	Utilizar guantes de protección

	Madera
	Aluminio
	Metal
	Incorrecto
	Correcto
	Bloquear
	Desbloquear
	Disco de diamante
	Disco (HSS)
	Disco(TCT)

70

FUNCIONAMIENTO

 **ATENCIÓN:** Antes de utilizar la herramienta, lea detenidamente el manual de instrucciones.

UTILIZACIÓN REGLAMENTARIA:

La máquina está destinada al corte longitudinal y perpendicular de madera en línea recta, mientras reposa firmemente sobre la pieza de trabajo.

MONTAJE Y FUNCIONAMIENTO

Acción	Figura
Montaje Y Desmontaje De La Hoja De La Sierra	Ver Fig. A
Interruptor De Seguridad	Ver Fig. B
Corte Transversal Y Paralelo	Ver Fig. C1, C2
Uso De La Función De Piloto Láser	Ver Fig. D1, D2
Para Sustituir Las Pilas Del Láser	Ver Fig. E1-E3
Fijación De La Guía Paralela	Ver Fig. F1, F2
Ajuste De La Profundidad De Corte	Ver Fig. G1, G2
Ajuste Del Ángulo De Corte	Ver Fig. H
Nunca Arranque Su Sierra Circular Cuando El Disco Toca La Pieza A Trabajar	Ver Fig. I1, I2
Eliminación Del Serrín	Ver Fig. J

CONSEJOS DE TRABAJO PARA SU HERRAMIENTA

Si su herramienta eléctrica se calienta demasiado, hágala funcionar sin carga durante 2-3 minutos para enfriar el motor. Evite el uso prolongado a velocidades muy bajas. Proteja las hojas de sierra de los choques y golpes. Un avance excesivo reduce considerablemente las prestaciones del aparato y la vida útil de la hoja de sierra. El rendimiento al aserrar y la limpieza del corte dependen fuertemente del estado y de la

forma del diente de la hoja de sierra. Por ello, utilizar solamente hojas de sierra con buen filo y adecuadas al tipo de material a trabajar. Elección de cuchillas: 24 dientes para uso general, aprox. 40 dientes para cortes más finos, más de 40 dientes para cortes muy finos en superficies delicadas. Utilice únicamente las hojas de sierra recomendadas.


MANTENIMIENTO

Retire el enchufe de la toma de corriente antes de efectuar cualquier ajuste, reparación o mantenimiento.

Mantenga las herramientas afiladas y limpias para realizar el trabajo mejor y de forma más segura. Siga las instrucciones para lubricar y cambiar los accesorios. Inspeccione los cables de la herramienta periódicamente y, si se dañan, solicite su reparación a un centro de servicio autorizado. Su herramienta no requiere lubricación ni mantenimiento adicional. No posee piezas en su interior que puedan ser reparadas por el usuario. Nunca emplee agua o productos químicos para limpiar su herramienta. Use simplemente un paño seco. Guarde siempre su herramienta en un lugar seco. Mantenga limpias las ranuras de ventilación del motor. La observación de chispas que destellan bajo las ranuras de ventilación, indica funcionamiento normal que no dañará su herramienta. Si el cable de alimentación está dañado deberá ser reemplazado por el fabricante, su agente de servicio o por alguna persona cualificada para evitar riesgos. Limpie periódicamente el polvo y virutas de la protección y de la base para garantizar que la máquina funcione a pleno rendimiento.

PROTECCION AMBIENTAL



Los residuos de aparatos eléctricos y electrónicos no deben depositarse en la  basura doméstica. Se deben reciclar en las instalaciones especializadas. Consulte a las autoridades locales o el establecimiento para saber cómo reciclar estos productos.

RESOLUCIÓN DE PROBLEMAS

Síntoma	Causas posibles	Solución posible
La herramienta no arranca al pulsar el interruptor de encendido.	El cable de alimentación no está enchufado. El cable de alimentación está roto. La escobilla de carbón se ha gastado.	Asegúrese de que el cable de alimentación esté bien conectado a una tomacorriente adecuada. Desenchufe el cable de alimentación. Solicite a un técnico de mantenimiento que lo sustituya. Solicite a un técnico de mantenimiento que sustituya la escobilla de carbón.
La profundidad de corte es inferior a la especificada.	Se ha acumulado polvo en la parte trasera de la base.	Sacuda el polvo. Considere conectar un aspirador para recoger el polvo.
La hoja gira o resbala.	La hoja no está firmemente encajada con el mandril.	Retire la hoja y vuelva a montarla como se describe en la sección INSTALAR/CAMBIAR LA HOJA.
La hoja no corta en línea recta.	La hoja está roma. La hoja no está montada correctamente. No ha guiado la hoja correctamente.	Monte una hoja nueva y afilada en la sierra. Compruebe que la hoja esté montada correctamente. Utilice una guía paralela.
72 Retroceso de la hoja al empezar un corte	La hoja no está girando suficientemente rápido.	Deje que la hoja de la sierra alcance la velocidad máxima antes de empezar un corte.

DECLARACIÓN DE CONFORMIDAD

Los que reciben,
POSITEC Germany GmbH
Konrad-Adenauer-Ufer 37
50668 Köln

Declaran que el producto ,
Descripción **WORX Sierra circular eléctrica**
Modelo **WX427(4 - denominaciones de maquinaria, representantes de sierras)**
Función **De corte de diversos materiales con una hoja dentada de rotación**

Cumple con las siguientes Directivas:

2006/42/EC
2004/108/EC
2011/65/EU

Normativas conformes a:

EN 55014-1
EN 55014-2
EN 61000-3-2
EN 61000-3-3
EN 60745-1
EN 60745-2-5
EN 60745-2-22

La persona autorizada para componer el
archivo técnico,

Firma Russell Nicholson
Dirección Positec Power Tools (Europe)
Ltd, PO Box 152, Leeds, LS10 9DS, UK




Suzhou 2015/01/21
Allen Ding
Ingeniero Jefe Adjunto. Pruebas y
Certificación.

-
- 1. INSCHAKELBLOKKERING**
 - 2. ZACHTE HANDGREEP**
 - 3. INBUSSLEUTEL**
 - 4. AAN/UIT-SCHAKELAAR**
 - 5. BLOKKEERKNOP UITGAANDE AS**
 - 6. ONDERSTE BESCHERMKAP**
 - 7. HENDEL VAN ONDERSTE KAP**
 - 8. VASTE BOVENSTE ZAAGKAP**
 - 9. UITLAAT VOOR ZAAGSEL**
 - 10. STOFZUIGERADAPTER**
 - 11. STOFAFZUIGAANSLUITING**
 - 12. VOETPLAAT**
 - 13. ZAAGBLAD (Zie A)**
 - 14. BINNENSTE FLENS (Zie A)**
 - 15. OUT VAN ZAAGBLAD (Zie A)**
 - 16. PARALLELGELEIDER**
 - 17. PARALLELE GELEIDER OPSPANKLEM**
-
- 74**
- 18. AFSTELHENDEL SCHUINE KANT**
 - 19. BUITENSTE FLENS (Zie A)**
 - 20. LASER**
 - 21. SCHAKELAAR VAN LASER**
 - 22. LASERBATTERIJEN (Twee) (Zie E2)**
 - 23. INDICATOR VOOR UITRICHTEN VAN HET MES**
-

Sommige afgebeelde of beschreven toebehoren worden niet meegeleverd.

TECHNISCHE GEGEVENS

Type **WX427(4 - aanduiding van machinerie, kenmerkend van Zaag)**

Nominale spanning		230-240V ~ 50Hz
Nominaal vermogen		710W
Toerental onbelast		3700/min
Grootte van zaagblad	Zaagblad (TCT)	120mmx1.2mmx9.5mmx24T
	Zaagblad (HSS)	115mmx1.2mmx9.5mmx60T
	Diamant Schijf	115mmx1.6mmx9.5mmx60G
Zaagcapaciteit	zaagdiepte bij 90°	46mm
	zaagdiepte bij 45°	30mm
Grootte opspandoorn		9.5mm
Aanbevolen maximale materiaaldikte	Hout	46mm
	Aluminium	2.5mm
	PVC pijpen (diameter)	46mm
	Tegels	12mm
	Dun plaatstaal I	0.5mm
Spindel Schroefdraad grootte		M5
Zaagblad dikte	Zaagblad (TCT)	0.8mm
	Zaagblad (HSS)	0.65mm
	Diamant Schijf	1mm
Laserbatterij, modelnummer		LR44 1.5V
Dubbele isolatie		 /II
Gewicht machine		2.3kg

75

GELUIDSPRODUCTIE

A-gewogen geluidsdruk	L_{pA} : 76dB(A)
A-gewogen geluidsvermogen	L_{wA} : 87dB(A)
K_{pA} & K_{wA}	3.0dB(A)


Draag oorbescherming

TRILLINGSGEGEVENS

Totaal trillingsniveau volgens EN60745:

Trillingswaarde:	Zagen in hout: $a_{h,W} = 6.82\text{m/s}^2$
	Onzekerheid $K = 1.5\text{m/s}^2$
	Zagen in metaal: $a_{h,M} = 5.63\text{m/s}^2$
	Onzekerheid $K = 1.5\text{m/s}^2$
	Zagen in tegels: $a_h = 6.91\text{m/s}^2$
	Onzekerheid $K = 1.5\text{m/s}^2$

De opgegeven totale trillingswaarde kan worden gebruikt om een gereedschap met een ander te vergelijken en kan ook dienen als een voorlopige beoordeling van de blootstelling.

 **WAARSCHUWING:** De mate van trilling tijdens gebruik van deze vermogensmachine kan verschillen van de nominale waarde, afhankelijk van de wijze waarop de machine wordt gebruikt, zoals in de volgende voorbeelden:

Hoe de machine gebruikt wordt en hoe het materiaal gesneden of geboord wordt.

De conditie en de onderhoudstoestand van de machine.


Gebruik van de juiste toebehoren. Zorg ervoor dat ze scherp zijn en in goede conditie.

De wijze waarop de handvatten worden vastgehouden en het gebruik van toebehoren die trillingen verminderen.

De machine moet gebruikt worden zoals door de ontwerper bedoeld is en in overeenstemming met deze instructies.

76

Deze machine kan een trillingssyndroom in hand en arm veroorzaken als hij niet op de juiste wijze gehanteerd wordt.

 **WAARSCHUWING:** Voor de nauwkeurigheid moet bij een schatting van het blootstellingsniveau in de feitelijke gebruiksomstandigheden rekening worden gehouden met alle delen van de bewerking, zoals het moment dat de machine wordt uitgeschakeld en de tijden waarop de machine loopt zonder daadwerkelijk gebruikt te worden. Dit kan het blootstellingsniveau over de totale werkperiode aanzienlijk verminderen.

De blootstelling aan trillingen verminderen.

Gebruik **ALTIJD** scherpe beitels, boren en zaagbladen

Onderhoud de machine volgens deze instructies en houd hem goed gesmeerd (voor zover van toepassing)

Wordt de machine geregeld gebruikt, schaf dan toebehoren tegen trillingen aan.

Vermijd het gebruik bij temperaturen van 10°C of minder

Plan de werkzaamheden zodat de taken met veel trillingen over een aantal dagen verspreid worden.

TOEBEHOREN

Zaagblad (TCT): 24T voor hout (WA5046)	1
Zaagblad (HSS): 60T voor dun bladstaal en aluminum, PVC-buis, plastic (WA5047)	1
Diamant Schijf: 60G voor beton, marmer, tegels, cementen geprefabriceerde platen (WA5048)	1
Parallelgeleider	1
Stofzuigeradapter	1
Inbussleutel	1

Wij adviseren u alle accessoires te kopen in de winkel waar u het gereedschap heeft gekocht. Gebruik producten van goede kwaliteit met een bekende merknaam. Kijk op de verpakking van het accessoire voor meer informatie. Ook het winkelpersoneel kan u helpen en adviseren.

VEILIGHEIDSINSTRUCTIES VOOR ALLE ZAGEN

- a)  **WAARSCHUWING : Houd handen uit de buurt van het zaaggedeelte van het blad.** Wanneer beide handen de zaag vasthouden, kunt u zich niet in de handen zagen.
- b) **Reik niet onder het werkobject.** De beschermkap kan u onder het werkobject niet tegen het zaagblad beschermen.
- c) **Stel de zaagdiepte in op de dikte van het werkobject.** Er moet minder dan één tand zichtbaar zijn onder het werkobject.
- d) **Houd het werkobject nooit met de handen vast of over uw been.** Zet het werkobject vast op een stabiel platform. Het is belangrijk om het object voldoende te ondersteunen, zodat uw lichaam niet geraakt kan worden, het zaagblad niet vast kan lopen en u de controle over de machine niet verliest.
- e) **Houd de machine alleen vast bij de geïsoleerde handgrepen, wanneer uw werkzaamheden tot gevolg kunnen hebben dat het accessoire in contact komt met b\verborgen bedrading of het eigen netsnoer.** Komt het accessoire in contact met een spanningvoerende draad, dank omen de metalen delen van de machine onder spanning staan, wat dodelijk kan zijn voor de gebruiker.
- f) **Gebruik bij het schulpen altijd een langseleider of een richtliniaal.** Dit zorgt voor een nauwkeurige snede en u verminder de kans op een vastgelopen zaagblad.
- g) **Gebruik altijd zaagbladen met opspandoorngaten van de juiste grootte en vorm.** Zaagbladen die niet overeenkomen met de hardware van de zaag zullen excentrisch draaien waardoor u de controle over het apparaat verliest.
- h) **Gebruik nooit beschadigde of onjuiste bouten of ringen voor het zaagblad.** De ringen en moeren voor het zaagblad zijn speciaal ontworpen voor deze zaag zodat deze optimaal presteert en veilig gebruikt kan worden.

OVERIGE VEILIGHEIDSINSTRUCTIES VOOR ALLE ZAGEN

Oorzaken en voorkoming van terugslag:

- terugslag is een plotselinge reactie als het zaagblad klemt, vastloopt of niet goed uitgelijnd is. Hierdoor schiet de zaag omhoog, uit het werkobject en richting de bediener;
- als het blad klemt of sterk vastloopt omdat de zaagsnede te smal wordt, stopt het zaagblad en als gevolg van de motorreactie schiet het apparaat snel terug richting de bediener;
- als het blad knikt of niet goed is uitgelijnd, zullen de tanden aan de achterkant van het blad in het bovenste oppervlak van het hout zagen, zodat het blad uit de zaagsnede komt en terugschiet richting de bediener.

Terugslag is het gevolg van verkeerd gebruik en/of onjuiste bediening of omstandigheden. Dit kan voorkomen worden door de juiste voorzorgsmaatregelen te nemen, zoals hieronder vermeld.

- a) **Houd de zaag goed vast en plaats uw armen zodanig dat u de kracht van een terugslag kunt weerstaan. Ga met uw lichaam aan een van beiden zijden van het zaagblad staan, maar niet op één lijn met het zaagblad.** Terugslag kan ervoor zorgen dat de zaag terugschiet, maar de kracht ervan kan worden weerstaan door de bediener, indien deze de juiste voorzorgsmaatregelen heeft getroffen.
- b) **Als het blad vastloopt, of als de snee om welke reden dan ook wordt onderbroken, laat dan de schakelaar los en houd de zaag bewegingsloos in het materiaal totdat het zaagblad volledig stilstaat. Probeer nooit de zaag uit het werkobject te halen of terug te trekken terwijl het blad nog beweegt; dit kan een terugslag veroorzaken.** Onderzoek en corrigeer zaken ter voorkoming van het vastlopen van het blad.
- c) **Als u de zaag opnieuw aanzet in het werkobject, centreer het zaagblad**

dan in de zaagsnede en controleer of de zaagtanden niet vastzitten in het materiaal. Als het zaagblad vastloopt, kan deze omhoog gaan of een terugslag geven zodra de zaag opnieuw wordt gestart.

- d) Ondersteun grote panelen om zo het risico op het klemmen van het blad en terugslag te voorkomen.** Grote panelen kunnen onder hun gewicht doorzakken. Ondersteuning dient te worden geplaatst aan beide zijden onder het paneel, nabij de zaagsnede en de rand van het paneel.
- e) Gebruik geen stompe of beschadigde zaagbladen.** Onscherpe of onjuist ingestelde bladen produceren een smalle zaagsnede en dit zorgt voor extra frictie, het vastlopen van het blad en een terugslag.
- f) Bladdiepte en de sluithefbomen voor het instellen van de afschuining moeten goed zijn vergrendeld voordat u kunt gaan zagen.** Als deze instellingen verschuiven tijdens het zagen, kan het zaagblad vastlopen en een terugslag veroorzaken.
- g) Wees extra zorgvuldig als u rechtstreeks in een bestaande wand zaagt of andere blinde gebieden.** Het uitstekende zaagblad zaagt mogelijk in voorwerpen die een terugslag kunnen veroorzaken.

VEILIGHEIDSINSTRUCTIES VOOR ZAGEN (CIRKELZAAG MET DRAAIENDE ZAAGKAP ONDERAAN)

Functie zaagkap onderaan

- a) Controleer voor ieder gebruik of de onderste beveiliging op de juiste manier is vergrendeld. Gebruik de zaag niet als de onderste bescherming niet vrij beweegt en onmiddellijk sluit. Klem of bind de onderste bescherming nooit vast in de open positie.** Als de zaag onopzettelijk valt, kan de onderste bescherming verbuigen. Trek de onderste bescherming omhoog met de terugtrekhandel en zorg ervoor dat deze vrij kan bewegen en het blad of welk ander deel niet raakt in alle hoeken of zaagdiepten.

- b) Controleer de werking van de veer van de onderste bescherming. Als de bescherming en de veer niet goed functioneren, dienen deze voor gebruik te worden gerepareerd.** De onderste bescherming werkt misschien niet goed als gevolg van beschadigde onderdelen, gomachtige aanslag of vuil.
- c) De onderste bescherming dient alleen handmatig te worden teruggetrokken bij speciale sneden zoals rechtstreeks in een oppervlak of samengestelde sneden. Trek de onderste bescherming omhoog met behulp van de terugtrekhandel en zodra het blad in het materiaal gaat, dient u de onderste bescherming los te laten.** Bij alle andere zaagbewerkingen, werkt de onderste bescherming automatisch.
- d) Let erop dat de onderste bescherming altijd over het blad zit voordat de zaag op een werkbank of de grond wordt gezet.** Bij een onbeschermd zaagblad waarbij de motor niet actief is, loopt de zaag terug en snijdt deze in alles wat in de weg zit. Denk eraan dat het even duurt voordat het zaagblad stopt, nadat u de motor hebt uitgeschakeld.

EXTRA VEILIGHEIDSREGELS VOOR UW CIRKELZAAG

1. Draag altijd een stofmasker, oorbescherming en oogbescherming.
2. Gebruik alleen een zaagblad dat is aanbevolen in de specificatie.
3. Gebruik alleen de bladdiameter(s) volgens de markeringen.

ANDERE VEILIGHEIDSWAARSCHUWINGEN VOOR DOORSLIJMACHINE

- a) Voor optimale veiligheid moet de bijgeleverde beschermkap stevig op het gereedschap worden bevestigd en geplaatst zodat er zo min mogelijk risico is op contact tussen slijpschijf en gebruiker. Zorg dat uzelf en omstanders afstand houden van het**

schaafvlak van de ronddraaiende slijpschijf. De kap beschermt de gebruiker tegen brokstukken van het wiel en onbedoeld aanraken van het wiel.

- b) Gebruik alleen diamanten doorslijpschijven voor uw elektrisch gereedschap.** Het feit dat een accessoire op de machine past, betekent niet dat de veilige werking gegarandeerd is.
- c) De nominale snelheid van een accessoire moet minstens zo groot zijn als de maximale snelheid van de machine.** Accessoires die op een te hoge snelheid worden gebruikt, kunnen uit elkaar vliegen.
- d) Wielen mogen alleen worden gebruikt voor aanbevolen toepassingen. Probeer bijvoorbeeld niet te slijpen met de kant van een snijwiel.** Een schurend snijwiel is bedoeld voor het slijpen van de oppervlakte – door kracht op de zijkant uit te oefenen zou het wielen uit elkaar kunnen liegen.
- e) Gebruik steeds onbeschadigde wielflenzen die de juiste grootte en vorm hebben voor het gebruikte wiel.** De juiste wielflenzen ondersteunen het wiel en verminderen de kans dat het wiel breekt.
- f) Gebruik geen afgeslepen wielen van een machine die werkt met een groter vermogen.** Een wiel dat geschikt is voor een groter vermogen, is niet geschikt voor de hogere snelheid van een kleinere machine en zou kunnen breken.
- g) De buitendiameter en de dikte van een accessoire moeten binnen de capaciteit van de machine passen.** Accessoires van de verkeerde grootte kunnen niet goed beschermd en bediend worden.
- h) Slijpschijven en flenzen moeten nauwkeurig op de uitgaande as van het elektrische gereedschap passen.** Inzetgereedschappen die niet nauwkeurig op de uitgaande as van het elektrische gereedschap passen, draaien ongelijkmatig, trillen sterk en kunnen tot het verlies van de controle leiden.
- i) Gebruik nooit beschadigde inzetgereedschappen. Controleer voor**

het gebruik altijd inzetgereedschappen op afsplinteringen en scheuren.

Als het elektrische gereedschap of het inzetgereedschap valt, dient u te controleren of het beschadigd is, of gebruik een onbeschadigd inzetgereedschap. Als u het inzetgereedschap hebt gecontroleerd en ingezet, laat u het elektrische gereedschap een minuut lang met het maximale toerental lopen. Daarbij dient u en dienen andere personen uit de buurt van het ronddraaiende inzetgereedschap te blijven.

Beschadigde inzetgereedschappen breken meestal gedurende deze testtijd.

- j) Draag persoonlijke beschermingsmiddelen. Afhankelijk van de werkzaamheden draagt u hoofdbescherming of een veiligheidsbril. Draag zonodig een stofmasker, gehoorbescherming, handschoenen en een schort waarmee afgeslepen materiaal en delen van het werkstuk mee kunnen worden opgevangen.** De oogbescherming moet geschikt zijn om rondvliegende deeltjes op te vangen die bij de werkzaamheden ontstaan. Het stofmasker moet geschikt zijn om deeltjes uit de lucht te filteren. Langdurige blootstelling aan lawaai kan tot gehoorschade leiden.
- k) Houd omstanders op een veilige afstand van het werkgebied. Iedereen die zich in het werkgebied bevindt moet persoonlijke beschermingsmiddelen dragen.** Brokstukken van het werkstuk of gebroken inzetgereedschappen kunnen wegvliegen en verwondingen veroorzaken, ook buiten de directe werkomgeving.
- l) Houd de machine alleen vast bij de geïsoleerde handgrepen, wanneer uw werkzaamheden tot gevolg kunnen hebben dat het accessoire in contact komt met b\verborgen bedrading of het eigen netsnoer.** Komt het accessoire in contact met een spanningvoerende draad, dank omen de metalen delen van de machine onder spanning staan, wat

dodelijk kan zijn voor de gebruiker.

m) Houd het netsnoer uit de buurt van het draaiende accessoire.

Als u de controle over het elektrische gereedschap verliest, kan de stroomkabel worden doorgesneden of meegenomen en uw hand of arm kan in het ronddraaiende inzetgereedschap terecht komen.

n) Leg de machine nooit neer als het accessoire nog in beweging is. Het draaiende inzetgereedschap kan in contact komen met het oppervlak, waardoor u de controle over het elektrische gereedschap kunt verliezen.

o) Laat de machine niet draaien terwijl u hem opzij draagt. Door onbedoeld contact met het draaiende accessoire kan uw kleding worden gegrepen, waardoor de machine in aanraking met uw lichaam komt.

p) Maak de ventilatieopeningen van de machine geregeld schoon. De ventilator van de motor brengt stof binnen de behuizing en door ophoping van metalen deeltjes kan er een elektrisch gevaar ontstaan.

q) Gebruik de machine niet bij ontbrandbare materialen. Ze zouden door vonken in brand kunnen raken.

r) Gebruik geen accessoires die een vloeibaar koelmiddel nodig hebben. Het gebruik van water of andere vloeibare koelmiddelen kan elektrocutie of elektrische schokken tot gevolg hebben.

Terugslag en daarmee verwante waarschuwingen

Terugslag is een plotse reactie op een geklemde of vastzittende draaischijf. Klemmen of vastzitten veroorzaakt het snel stilvallen van de draaischijf die op zijn beurt ervoor zorgt dat het ongecontroleerde elektrische gereedschap in de tegenovergestelde richting van de rotatie van de schijf wordt geforceerd op het punt van de verbinding.

Bijvoorbeeld, als een slijpwiel in het werkstuk blijft klemzitten, dan zal de rand van het wiel zich in de oppervlakte van het materiaal graven waarna het wiel naar buiten schiet. Het wiel kan in de richting van de gebruiker schieten of in de andere richting, afhankelijk van de bewegingsrichting van het wiel op

het moment dat het vast bleef zitten. Een schuurwiel kan onder die omstandigheden ook breken.

Terugslag is het gevolg van verkeerd gebruik van een machine en/of onjuiste bedrijfsprocedures en -omstandigheden. Met de juiste maatregelen kan het vermeden worden, zoals hieronder is beschreven.

a) Houd de machine stevig vast en zorg ervoor dat lichaam en armen in een zodanige positie staan dat u de terugslagkrachten kunt weerstaan. Maak steeds gebruik van het hulphandvat, als het aanwezig is, zodat u tijdens het opstarten maximale beheersing hebt over terugslag en koppelreacties.

De gebruiker kan koppelreacties en terugslagkrachten beheersen met de juiste voorzorgsmaatregelen.

b) Houd uw hand nooit bij het draaiende accessoire. Het accessoire kan over uw hand terugslaan.

c) Zorg dat uw lichaam niet in een lijn met de draaischijf staat. Bij terugslag schiet de machine in een richting die tegengesteld is aan de beweging van het wiel, op het moment dat het wiel vastklemt.

d) Wees voorzichtig bij het werken langs hoeken, scherpe randen e.d. zodat vermeden wordt dat de machine terugstuitert en het accessoire blijft vastzitten. Hoeken, scherpe randen en stuiten kunnen het draaiende accessoire vastgrijpen waardoor u de macht over de machine verliest of er terugslag optreedt.

e) Maak geen zaagketting vast, houtsnijvlad, gesegmenteerde diamantschijf met een perifere opening van meer dan 10mm of een getand zaagblad. Dergelijke gereedschappen geven vaak terugslag en het gevaar dat u de macht over de machine verliest.

f) "Knel" het wiel niet of oefen geen overmatige druk uit. Probeer niet extra diep te snijden. Door overbelasting van het wiel vergroot u de kans dat het wiel verbuigt of in de snede blijft vastzitten, waardoor het wiel terugslaat of breekt.

g) Blijft het wiel vastzetten of moeten de werkzaamheden onderbroken worden, schakel de machine dan uit en houd hem stil tot het wiel volledig tot stilstand is gekomen. Probeer nooit om de nog draaiende doorslijpschijf uit de groef te trekken. Anders kan een terugslag het gevolg zijn.

Onderzoek de oorzaak van het vastzittende wiel en neem maatregelen om het probleem te verhelpen.

h) Herstart de machine niet in het werkstuk. Laat het wiel tot volle snelheid komen en breng het weer terug in de snede. Het wiel kan vastklemmen, weglopen en terugslaan als de machine wordt gestart met het wiel in het werkstuk.

i) Ondersteun panelen en grote werkstukken om het gevaar van vastklemmen en terugslag te vermijden. Een groot werkstuk kan onder eigen gewicht doorzakken. Ondersteun het werkstuk in de buurt van de snijlijn en aan de rand van het werkstuk, aan weerszijden van het wiel.

j) Wees extra voorzichtig bij het maken van een "zaksnede" tussen bestaande muren of in een ander blind gebied. Het uitstekende wiel kan in contact komen met gas- en waterbuizen, met elektrische bedrading of andere voorwerpen waardoor er terugslag ontstaat.

Bewaar alle waarschuwingen en instructies voor latere naslag.

Deze lasers betekenen normaal gesproken geen optisch gevaar, hoewel staren in de straal blindheid kan veroorzaken. Staar niet direct in de laserstraal. Er kan zich een gevaar voordoen als u toch in de straal staart, volg de veiligheidsvoorschriften als volgt na:

- 1. De laser moet worden gebruikt en onderhouden volgens de instructies van de fabrikant.**
- 2. Richt de straal nooit op een persoon of een voorwerp, anders dan het werkstuk.**
- 3. De laserstraal mag niet expres op een ander persoon worden gericht en mag niet langer dan 0,25 seconde in het oog schijnen.**
- 4. Zorg er altijd voor dat de laserstraal wordt gericht op een stabiel werkstuk zonder reflecterende oppervlakken, bijv. hout of andere ruwe oppervlakken zijn acceptabel.** Helder schijnend reflecterend plaatstaal of iets dergelijks is niet geschikt voor laserapplicaties, omdat het reflecterende oppervlak de laserstraal terug naar de gebruiker kan richten.
- 5. Verander het lasertoestel niet door een ander type.** Reparaties moeten worden uitgevoerd door de fabrikant of een geautoriseerde reparateur.
- 6. LET OP:** Ander gebruik van de bediening of andere verstellingen dan die hierin aangegeven kunnen leiden tot gevaarlijke blootstelling aan straling.

VEILIGHEIDSPUNTEN VOOR UW LASER KLASSE 2


Het laserapparaat dat met dit gereedschap is ingebouwd is eersteklas met een maximum straling van 1.5mW en 650 nm golflengte.

LASERSTRALING VAN KLASSE 2, KIJK NIET IN DE STRAAL

AANVULLENDE VEILIGHEIDSREGELS

1. Draag altijd een stofmasker.

VEILIGHEIDSPUNTEN VOOR UW LASER

 **WAARSCHUWING! Lees alle instructies zorgvuldig door.** Indien u zich niet aan alle onderstaande instructies houdt, kan dat leiden tot een elektrische schok, brand en/of ernstig letsel.

SYMBOLLEN

	Om het risico op letsels te beperken, moet u de gebruikershandleiding lezen
	Dubbele isolatie
	Waarschuwing
	Draag oorbescherming
	Draag oogbescherming
	Draag een stofmasker
	Kijk niet in de straal
	Laserstraling
	Afgedankte elektrische producten mogen niet bij het normale huisafval terechtkomen. Breng deze producten waar mogelijk naar een recyclecentrum bij u in de buurt. Vraag de verkoper of de gemeente informatie en advies over het recyclen van elektrische apparatuur.
	Voordat u werkzaamheden uitvoert aan de machine zelf, moet u de stekker uit het stopcontact trekken.
	Draag beschermende handschoenen

	Hout
	Aluminium
	Metaal
	Onjuist
	Goed
	Vergrendelen
	Ontgrendelen
	Diamant Schijf
	Zaagblad (HSS)
	Zaagblad (TCT)

BEDIENINGSINSTRUCTIES



OPMERKING: Lees voor het gebruik van het gereedschap aandachtig het instructieboekje.

GEbruik VOLGENS BESTEMMING:

De machine is bedoeld voor het in de lengte en kruislings zagen van hout met rechte zaaglijnen, terwijl het materiaal op het werkblad rust.

ASSEMBLAGE EN BEDIENING

Actie	Afbeelding
Monteren En Verwijderen Zaagblad	Zie A
Veiligheidsschakelaar	Zie B
Kruis- En Schulpzagen	Zie C1, C2
De Laserlampfunctie Gebruiken	Zie D1, D2
De Laserbatterijen Vervangen	Zie E1-E3
Parallel Geleider Afstellen	Zie F1, F2
Zaagdiepte Aanpassen	Zie G1, G2
Zaakhoek Aanpassen	Zie H
Een Holte Zagen	Zie I1, I2
Zaagsel Verwijderen	Zie J

TIPS VOOR HET WERKEN MET UW APPARAAT

Wordt de machine te heet, laat hem dan 2 à 3 minuten onbelast draaien om de motor af te koelen. Gebruik de zaag niet langere tijd bij een zeer lage snelheid. Bescherm de zaagbladen tegen schokken en stoten. Te sterke voorwaartse aandrukkracht beperkt de capaciteit van het gereedschap aanzienlijk en bekort de levensduur van het zaagblad. Zaagcapaciteit en zaagkwaliteit zijn in belangrijke mate afhankelijk van de toestand en de tandvorm van het zaagblad. Gebruik daarom alleen scherpe, voor het te bewerken materiaal geschikte zaagbladen. Te gebruiken messen: 24 tanden voor algemeen werk, ongeveer 40 tanden voor fijne sneden, meer dan 40 tanden voor zeer fijne sneden in tere oppervlakken. Gebruik alleen de aanbevolen zaagbladen.

ONDERHOUD

Trek de voedingskabel uit de aansluiting voordat u eventuele aanpassingen, reparaties of onderhoud uitvoert.

Houd uw gereedschappen scherp en schoon voor betere en veiligere prestaties. Volg de instructies voor het smeren en vervangen van toebehoren. Inspecteer periodiek de kabels van het gereedschap. Als ze beschadigd zijn moet u ze laten repareren door een erkend onderhoudscentrum. Dit elektrische gereedschap hoeft niet extra gesmeerd of onderhouden te worden. Dit gereedschap bevat geen onderdelen waaraan de gebruiker onderhoud kan of moet uitvoeren. Gebruik nooit water of chemische reinigingsmiddelen voor het schoonmaken van uw elektrische gereedschap. Veeg het schoon met een droge doek. Bewaar uw elektrische gereedschap altijd op een droge plek. Houd de ventilatiegleuven van de motor schoon. Is de voedingskabel beschadigd, dan moet hij, om risico te voorkomen, worden vervangen door de fabrikant, zijn vertegenwoordiger of een ander bevoegd persoon. Verwijder zaagsel en houtkrullen geregeld van de kap en de voetplaat om zeker te zijn van goede prestaties.

BESCHERMING VAN HET MILIEU



Afgedankte elektrische producten mogen niet bij het normale huisafval terechtkomen. Breng deze producten waar mogelijk naar een recyclecentrum bij u in de buurt. Vraag de verkoper of de gemeente informatie en advies over het recyclen van elektrische apparatuur.

PROBLEMEN OPLOSSEN

Probleem	Mogelijke oorzaken	Mogelijke oplossing
Machine start niet als de aan/uitschakelaar bediend wordt.	Netsnoer niet in het stopcontact. Netsnoer beschadigd. Koolborstels versleten	Controleer of het netsnoer goed is aangesloten op een stopcontact waarop spanning staat. Neem de stekker uit het stopcontact. Laat het snoer door een bevoegde reparateur vervangen. Lad de koolborstels door een bevoegde reparateur vervangen.
Zaagdiepte is minder dan is ingesteld.	Opgehoopt zaagsel aan de achterkant van de voetplaat.	Schud het zaagsel weg. Overweeg om stofafzuiging te gebruiken.
Zaagmes draait door of slijpt	Zaagblad zit niet stevig vast op de as.	Verwijder het zaagblad en monteer het zoals beschreven onder HET ZAAGBLAD MONTEREN/VERVANGEN.
Er wordt geen rechte snede gemaakt.	Zaagblad is bot. Zaagblad is niet goed gemonteerd. Zaagblad wordt niet goed geleid.	Monteer een nieuw, scherp zaagblad. Controleer of het zaagblad goed gemonteerd is. Gebruik een parallelle geleider.
Terugslag bij het beginnen van een snede	Zaagblad draait niet snel genoeg	Laat het zaagblad op snelheid komen voordat u met zagen begint

CONFORMITEITVERKLARING

Wij,
POSITEC Germany GmbH
Konrad-Adenauer-Ufer 37
50668 Köln

Verklaren dat het product,
Beschrijving **WORX Elektrische cirkelzaag**
Type **WX427(4- aanduiding van**
machinerie, kenmerkend van Zaag)
Functie **Snijden van verschillende**
materialen met een draaiende getande
zaagblad

Overeenkomt met de volgende richtlijnen:

2006/42/EC
2004/108/EC
2011/65/EU

Standaards in overeenstemming met:

EN 55014-1
EN 55014-2
EN 61000-3-2
EN 61000-3-3
EN 60745-1
EN 60745-2-5
EN 60745-2-22

De persoon die bevoegd is om het technische
bestand te compileren,
Naam Russell Nicholson
Adres Positec Power Tools (Europe) Ltd,
PO Box 152, Leeds, LS10 9DS, UK


Suzhou 2015/01/21
Allen Ding
Plaatsvervangend Chief Ingenieur, Testen en
Certificering

1. **WYŁĄCZNIK BLOKADY**
2. **UCHWYT Z MIĘKKĄ WYKŁADZINĄ**
3. **KLUCZ SZEŚCIOKĄTNY**
4. **WŁĄCZNIK/WYŁĄCZNIK BEZPIECZEŃSTWA**
5. **PRZYCISK BLOKADY WRZECIONA**
6. **DOLNA OSŁONA OSTRZA**
7. **DŹWIGNIA OSŁONY DOLNEJ**
8. **NIERUCHOMA OSŁONA GÓRNA**
9. **WYJŚCIE DLA KURZU**
10. **ADAPTER ODSYSACZA**
11. **DŹWIGNIA REGULACJI GŁĘBOKOŚCI**
12. **PŁYTA PODSTAWOWA**
13. **TARCZA PIŁY (Patrz Rys.A)**
14. **KOŁNIERZ WEWNĘTRZNY (Patrz Rys. A)**
15. **ŚRUBA OSTRZA (Patrz Rys. A)**
16. **PROWADNICA RÓWNOLEGŁA**
17. **MOCOWANIE ZACISKOWE PROWADNICY RÓWNOLEGŁEJ**
18. **DŹWIGNIA REGULACJI KĄTA SKOSU**
19. **KOŁNIERZ ZEWNĘTRZNY (Patrz Rys. A)**
20. **LASER**
21. **WŁĄCZNIK/WYŁĄCZNIK LASERA**
22. **BATERIE AKUMULATORA (Dwie) (Patrz Rys. E2)**
23. **WSKAŹNIK USTAWIENIA PIŁY W LINII**

Nie wszystkie pokazane na ilustracji akcesoria są dostarczane standardowo.

DANE TECHNICZNE

Typ **WX427 (4 - oznaczenie maszyny, reprezentuje pilarkę)**

Napięcie znamionowe		230-240V ~ 50Hz
Moc znamionowa		710W
Prędkość znamionowa bez		3700/min
Obciążenia	Piła tarczowa TCT	120mmx1.2mmx9.5mmx24T
	Piła tarczowa ze stali szybko tnącej	115mmx1.2mmx9.5mmx60T
	Piła tarcza diamentowa	115mmx1.6mmx9.5mmx60G
Zdolność cięcia	Głębokość cięcia pod kątem 90°	46mm
	Głębokość cięcia pod kątem 45°	30mm
Rozmiar trzpienia		9.5mm
Zalecana maksymalna grubość materiału	Drewno	46mm
	Aluminium	2.5mm
	Rury PCV (Średnica)	46mm
	Płytki ceramiczne	12mm
	Blacha stalowa	0.5mm
Rozmiar gwintu wrzeciona		M5
Grubość piły	Piła tarczowa TCT	0.8mm
	Piła tarczowa ze stali szybko tnącej	0.65mm
	Piła tarcza diamentowa	1mm
Typ baterii lasera		LR44 1.5V
Podwójna izolacja		
Masa urządzenia		2.3kg

DANE DOTYCZĄCE HAŁASU I WIBRACJI

Ważone ciśnienie akustyczne	L_{pA} : 76dB(A)
Ważona moc akustyczna	L_{wA} : 87dB(A)
K_{pA} & K_{wA}	3.0dB(A)


Stosować ochronę uszu

INFORMACJE DOTYCZĄCE DRGAŃ

Łączna wartość drgań (suma wektora triax) określona według normy EN 60745:

Wartość przenoszenia wibracji:	Cięcie drewna: $a_{h,W} = 6.82\text{m/s}^2$
	Niepewność $K = 1.5\text{m/s}^2$
	Cięcie metalu: $a_{h,M} = 5.63\text{m/s}^2$
	Niepewność $K = 1.5\text{m/s}^2$
	Cięcie płytki ceramiczne: $a_h = 6.91\text{m/s}^2$
	Niepewność $K = 1.5\text{m/s}^2$

Zadeklarowana całkowita wartość wibracji może być wykorzystana do porównania jednego narzędzia z innym oraz może być użyta we wstępnej ocenie narażenia.

 **OSTRZEŻENIE:** Wartość emisji wibracji w czasie rzeczywistego używania elektronarzędzia może się różnić od zadeklarowanej, w zależności od sposobu używania narzędzia w następujących przykładach i innych sposobach używania narzędzia:

Jak używane jest narzędzie oraz, czy materiał jest cięty czy wiercony.

Czy narzędzie jest w dobrym stanie i czy jest prawidłowo konserwowane.


Czy używane są prawidłowe akcesoria narzędzia i czy narzędzie jest właściwie naostrzone oraz w dobrym stanie.

Czy dokręcone są szczęki na uchwycie i czy używane są jakiegokolwiek akcesoria antybiracyjne.

Oraz, czy narzędzie jest używane zgodnie z przeznaczeniem i według instrukcji.

Niepawidłowe prowadzenie tego narzędzia może spowodować syndrom wibracji rąk

89

 **OSTRZEŻENIE:** W szczególności, oszacowanie poziomu ekspozycji w rzeczywistych warunkach używania powinno brać także pod uwagę wszystkie elementy cyklu działania, takie jak czasy wyłączenia narzędzia i czas bezczynności, ale nie rzeczywiście wykonywaną pracę. Może to znacznie zmniejszyć poziom ekspozycji w całym okresie pracy.

Pomoc w minimalizacji narażenia na wibracje.

Należy ZAWSZE używać ostrych dłut, wiertel i ostrzy

Narzędzie należy konserwować z godnie z instrukcjami i prawidłowo smarować (w odpowiednich miejscach)

Jeśli narzędzie jest używane regularnie należy zakupić akcesoria antywibracyjne.

Należy unikać używania narzędzi w temperaturach 10°C lub niższych

Należy zaplanować harmonogram pracy w celu rozłożenia używania narzędzi wytwarzających wysoki poziom drgań na kilka dni.

AKCESORIA

Piła tarczowa TCT: 24T do drewna (WA5046)	1
Piła tarczowa ze stali szybko tnącej: 60T do cienkich arkuszy metalu oraz aluminium, rur PVC, plastiku (WA5047)	1
Piła tarcza diamentowa: 60G do betonu, marmuru, płytek ceramicznych oraz płyt betonowych (WA5048)	1
Prowadnica równoległa	1
Adapter odsysacza	1
Klucz sześciokątny	1

Zaleca się zakup wszystkich akcesoriów w sklepie, gdzie zakupiono narzędzie. Używać dobrej jakości akcesoriów oznaczonych dobrze znanymi markami. Wybierać wiertła według rodzaju pracy, która ma być wykonana. Więcej szczegółów można znaleźć w dodatkowym opakowaniu. Personel sklepu może również udzielić pomocy i porad.

PRZEPISY BEZPIECZEŃSTWA DLA WSZYSTKICH PILAREK

- a.  **OSTRZEZENIE : Nie zbliżać rąk do obszaru cięcia oraz tarczy.** Jeśli obie ręce trzymają piłę, piła nie będzie mogła ich przeciąć.
- b. **Nie sięgać pod obrabiany przedmiot.** Osłona nie ochrania od tarczy poniżej obrabianego przedmiotu.
- c. **Wyregulować głębokość cięcia według grubości obrabianego przedmiotu.** Pod obrabianym przedmiotem powinno wystawać mniej niż pełny ząb tarczy zębatej.
- d. **Nigdy nie należy przytrzymywać ciętego przedmiotu rękami ani między nogami. Zabezpieczyć obrabiany przedmiot na bezpiecznej platformie.** Ważne jest, aby podeprzeć właściwie przedmiot w celu zminimalizowania narażenia ciała, zgięcia tarczy czy utraty kontroli.
- e. **Podczas wykonywania prac, w których przyrządy tnące mogą przeciąć kabel elektryczny, narzędzie można trzymać jedynie za izolowaną powierzchnię karbowaną.** Oprzyrządowanie tnące po zetknięciu się z przewodem będącym pod napięciem może przewodzić prąd i spowodować porażenie operatora..
- f. **Podczas cięcia wzdłużnego zawsze należy używać prowadnicy piły tarczowej lub przymiaru.** Poprawia to dokładność cięcia i zmniejsza możliwość zgięcia tarczy.
- g. **Zawsze używać tarcz o właściwym rozmiarze i kształcie (rombowy przeciw okrągłemu) otworów oprawki.** Tarcze, które nie pasują do osprzętu piły będą działać mimośrodowo powodując utratę kontroli.
- h. **Nigdy nie należy używać uszkodzonych lub niewłaściwych podkładek lub śrub tarcz.** Podkładki i śruby tarcz zostały specjalnie zaprojektowane dla piły w celu uzyskania optymalnej wydajności oraz bezpieczeństwa pracy.

DALSZE INSTRUKCJE BEZPIECZEŃSTWA DLA WSZYSTKICH PIŁ

Przyczyny oraz zapobieganie szybkim ruchom powrotnym:

- Szybki ruch powrotny jest nagłą reakcją na zablokowaną, zgiętą lub źle ułożoną tarczę, co powoduje niekontrolowane wyskoczenie piły z obrabianego przedmiotu w kierunku operatora.
- Kiedy tarcza zostaje złapana lub mocno zgięta przez zamykające się przecięcie, tarcza blokuje się a działanie silnika wywołuje nagłe wyrzucenie urządzenia w kierunku operatora.
- Jeśli tarcza pognie się lub źle się ułoży w szczelinie, zęby tylnej krawędzi tarczy mogą wciąć się w górną powierzchnię drewna powodując, że tarcza wyskoczy ze szczeliny w kierunku operatora.

Szybki ruch powrotny jest wynikiem złego użycia i/ lub niewłaściwych procedur lub warunków pracy, a można go uniknąć stosując właściwe środki ostrożności podane poniżej.

- a. **Utrzymać pewny chwyt na pile i ustawić ramiona w sposób umożliwiający zablokowanie siły odskoku. Ułożyć ciało po jednej ze stron tarczy, ale nie w jednej linii z tarczą.** Nagły ruch powrotny może spowodować wyskoczenie piły do tyłu, ale siły odskoku mogą być kontrolowane przez operatora, jeśli zostały podjęte właściwe środki ostrożności.
- b. **Kiedy tarcza się zgina lub podczas przerwania cięcia z dowolnego powodu, należy zwolnić spust i zatrzymać piłę w materiale aż do jej całkowitego zatrzymania. Nigdy nie należy próbować wyciągać piły z obrabianego przedmiotu lub wyciągać piły do tyłu podczas gdy tarcza znajduje się w ruchu lub może wystąpić szybki ruch powrotny.** Zbadać i podjąć kroki naprawcze w celu wyeliminowania przyczyny zgięcia tarczy.
- c. **Podczas powtórnego rozpoczynania cięcia w przedmiocie obrabianym należy ustawić tarczę centralnie w szczelinie i sprawdzić, czy zęby piły nie utknęły w materiale.** Jeśli tarcza

piły się zgina, może się wysunąć w górę lub nagle wyskoczyć z obrabianego przedmiotu po ponownym rozruchu piły.

- d. Podpierać duże panele w celu zminimalizowania zagrożenia blokady tarczy oraz szybkiego ruchu powrotnego.** Duże panele mają tendencje do uginania się pod własnym ciężarem. Wsporniki należy umieścić pod panelem po obu stronach, blisko linii cięcia i blisko krawędzi panelu.
- e. Nie używać tępych lub uszkodzonych tarcz.** Nienaostrzone lub niewłaściwie ustawione tarcze tworzą wąskie przecięcie powodując nadmierne tarcie, zginanie się tarczy oraz szybki ruch powrotny.
- f. Przed wykonaniem cięcia głębokość tarczy oraz dźwignie blokujące regulacji skosu muszą być dokręcone i zabezpieczone.** Jeśli regulacja tarczy przesunie się podczas cięcia, może spowodować zgięcie lub szybki ruch zwrotny.
- g. Należy szczególnie uważać podczas wykonywania cięcia w ścianach lub innych osłoniętych miejscach.** Wystająca tarcza może przeciąć przedmioty, które mogą wywołać szybki ruch zwrotny.

- b. Sprawdzić działanie sprężyny dolnej osłony. Jeśli osłona i sprężyna nie działają właściwie, przed użyciem należy je serwisować.** Dolna osłona może działać opornie ze względu na uszkodzone części, lepkie osady lub akumulację odpadów.
- c. Dolna osłona powinna być ręcznie odciągana tylko przy wykonywaniu specjalnych cięć, takich jak „cięcia wgłębne” czy „cięcia złożone”. Unieść dolną osłonę przy użyciu składanego uchwytu i natychmiast po wejściu tarczy w materiał zwolnić dolną osłonę.** Podczas innych zastosowań dolna osłona powinna działać automatycznie.
- d. Zawsze należy obserwować, czy dolna osłona pokrywa tarczę przed położeniem piły na ławce czy podłodze.** Nieosłonięta, rozpędzona tarcza spowoduje szarpnięcie piły w tył przecinając wszystko, co znajdzie się na jej drodze. Należy uważać na czas, który potrzeba do zatrzymania się tarczy po zwolnieniu przycisku.

INSTRUKCJE BEZPIECZEŃSTWA W ZAKRESIE OBSŁUGI PILARKI (PILARKA Z OBROTOWĄ OSŁONĄ DOLNĄ)

Działanie osłony dolnej

- a. Przed każdym użyciem sprawdzić dolną osłonę, czy zamyka się prawidłowo. Nie obsługiwać piły, jeśli dolna osłona nie porusza się swobodnie i nie zamyka natychmiastowo. Nigdy nie blokować ani przywiązywać dolnej osłony w pozycji otwartej.** Przypadkowe upuszczenie piły może spowodować zgięcie osłony. Podnieść dolną osłonę za pomocą składanego uchwytu i upewnić się, czy porusza się swobodnie i nie styka się z tarczą lub innymi częściami przy wszystkich kątach i głębokościach cięcia.

EKSTRA SIKKERHETSREGLER FOR SIRKELSAGEN DIN

1. Zawsze należy nosić maskę ochronną, ochronę słuchu i wzroku.
2. Używać tylko zalecanych w specyfikacji tarcz.
3. Używać tylko pił tarczowych o średnicy(ach) zgodnych z oznaczeniami.

DODATKOWE INSTRUKCJE BEZPIECZEŃSTWA W PRZECINARKI MASZYNA

- a) Osłona dostarczona wraz z narzędziem musi zostać solidnie zamocowana do elektronarzędzia i dla zapewnienia maksimum bezpieczeństwa umiejscowiona tak, aby operator był narażony na kontakt z jak najmniejszą częścią ściernicy. Operator i osoby stojące obok muszą trzymać się z**

dala od płaszczyzny obracającej się ściernicy. Tarcze, których stosowanie nie zostało przewidziane dla danego narzędzia nie mogą być prawidłowo osłonięte i ich stosowanie nie jest bezpieczne.

- b) Należy używać wyłącznie diamentowych tarcz tnących.** To, że dowolne akcesoria da się podłączyć do urządzenia, nie gwarantuje bezpiecznej pracy.
- c) Prędkość znamionowa dołączanych akcesoriów musi być co najmniej równa prędkości maksymalnej podanej na narzędziu.** Akcesoria pracujące z prędkością wyższą od ich prędkości znamionowej mogą się rozlecieć.
- d) Tarcze mogą być używane wyłącznie w zalecanych zastosowaniach. Na przykład: Nie można szlifować krawędzią tarczy tnącej.** Ściernie tarcze tnące są przewidziane do ścierania zewnętrznego, obciążenie ich siłą z boku może spowodować ich rozpadnięcie.
- e) Zawsze należy stosować nieuszkodzone kołnierze tarcz, o prawidłowym rozmiarze i kształcie dla danej tarczy.** Prawidłowe kołnierze tarcz podtrzymują tarczę zmniejszając niebezpieczeństwo pęknięcia.
- f) Nie można używać zużytych tarcz z większych narzędzi.** Tarcze przeznaczone do stosowania z większymi narzędziami nie są odpowiednie do pracy z wyższymi prędkościami mniejszych narzędzi i mogą się spalić.
- g) Średnica zewnętrzna oraz grubość akcesoriów musi zawierać się w granicach znamionowych dla narzędzia.** Nieprawidłowo dobrane pod względem rozmiaru akcesoria nie mogą być prawidłowo zabezpieczone i kontrolowane.
- h) Rozmiar trzpienia ściernic i kołnierzy musi być odpowiednio dopasowany do wrzeciona elektronarzędzia.** Ściernice i kołnierze z otworami dla trzpienia, które nie pasują do osprzętu mocującego elektronarzędzia, obracają się nierównomiernie, bardzo mocno wibrują i mogą doprowadzić do utraty kontroli nad urządzeniem.
- i) Nie należy używać uszkodzonych ściernic. Przed każdym użyciem należy sprawdzić ściernicę pod kątem**

odłamków i pęknięć. W przypadku, gdy elektronarzędzie lub ściernica upadnie, należy skontrolować, czy nie jest uszkodzone lub założyć nieuszkodzoną ściernicę. Jeżeli ściernica została sprawdzona i umocowana, operator i osoby znajdujące się w pobliżu powinny znajdować się z dala od płaszczyzny obracającej się ściernicy, a elektronarzędzie należy pozostawić włączone przez minutę, bez obciążenia, na najwyższych obrotach. Uszkodzone ściernice z reguły łamią się podczas tej próby.

- j) Należy stosować sprzęt ochrony osobistej, zależnie od prowadzonych prac należy stosować osłonę twarzy, okulary bezpieczeństwa lub gogle zabezpieczające. W razie potrzeby należy zastosować maskę przeciwpyłową, nauszniki, rękawice i filtr zabezpieczający przed małymi cząstkami.** Osłona oczu powinna zatrzymać cząstki lotne wytwarzane przy różnych pracach. Maskę przeciwpyłową lub respirator muszą być w stanie zatrzymać cząstki wytwarzane przy danej operacji. Przebywanie przez dłuższy czas w hałasie o dużym natężeniu może spowodować utratę słuchu.
- k) Osoby postronne powinny przebywać w bezpiecznej odległości od obszaru pracy. Każdy wchodzący w obszar pracy musi używać odpowiedni sprzęt ochronny.** Odłamki obrabianego przedmiotu lub złamanej ściernicy mogą zostać odrzucone i spowodować obrażenia również poza bezpośrednim obszarem roboczym.
- l) Podczas wykonywania prac, w których przyrządy tnące mogą przeciąć kabel elektryczny, narzędzie można trzymać jedynie za izolowaną powierzchnię karbowaną.** Oprzyrządowanie tnące po zetknięciu się z przewodem będącym pod napięciem może przewodzić prąd i spowodować porażenie operatora.
- m) Kabel należy ułożyć z dala od elementów wirjących.** W przypadku utraty kontroli nad narzędziem, kabel zasilający może zostać przecięty lub pochwycony, a dłoń lub ręka może dostać się w obracającą się ściernicę.
- n) Narzędzia nie można odkładać po**

wyłączeniu zasilania, aż do chwili zatrzymania elementu obrotowego.

Obracająca się ściernica może wejść w kontakt z powierzchnią, na którą jest odłożone elektronarzędzie i znaleźć się poza jakąkolwiek kontrolą.

- o) Narzędzia nie można włączać podczas przenoszenia.** Przypadkowe dotknięcie obracających się elementów może spowodować wciągnięcie ubrania i uderzenie elementem.
- p) Regularnie należy czyścić otwory wentylacyjne narzędzia.** Wentylator silnika powoduje wciąganie do wnętrza kurzu i zbyt duże nagromadzenie opiłków metalu może spowodować zagrożenie porażeniem elektrycznym
- q) Urządzenie nie może pracować w pobliżu materiałów palnych.** Iskry mogą spowodować zapłon tych materiałów.
- r) Nie można używać akcesoriów, które wymagają chłodzenia cieczą.** Używanie wody lub innych cieczy może spowodować porażenie prądem nawet śmiertelne.

Ostrzeżenia dotyczące odbicia

94

Odbicie jest nagłą reakcją na zaczepioną lub zaklinowaną tarczę obrotową. Zaczepienie lub zaklinowanie powoduje nagłe zatrzymanie działania obracającej się tarczy, co z kolei doprowadza do niekontrolowanego odrzucenia narzędzia w kierunku przeciwnym do kierunku obracania się tarczy w punkcie zakleszczenia.

Na przykład, jeśli tarcza ścierna jest pęknięta lub zarysowana, jej zablokowanie lub zakleszczenie w obrabianym elemencie może spowodować jej podniesienie lub odbicie. Koło może gwałtownie przesunąć się w stronę operatora lub w kierunku przeciwnym, zależnie od kierunków obrotu koła w punkcie zakleszczenia. W takim przypadku tarcza ścierna może również pęknąć.

Odbicie jest wynikiem nieprawidłowego wykorzystania narzędzia i/lub nieprawidłowych procedur lub warunków pracy i można go uniknąć stosując się do poniższych zaleceń.

- a) Należy pewnie chwycić uchwyt narzędzia i przyjąć postawę ciała i ramienia, które pozwolą opanować siłę odbicia. Zawsze należy używać rączki pomocniczej, jeśli jest dostarczona, dla zachowania**

maksymalnej kontroli przy odbiciu lub podczas działania momentu obrotowego przy uruchamianiu.

Operator może kontrolować siły odbicia lub od momentu przy uruchamianiu, jeśli będzie przestrzegał odpowiednich zaleceń.

- b) Nie można chwycić narzędzia w pobliżu elementów obracających się.** Akcesoria mogą spowodować odbicie w rękę.
- c) Nie należy przyjmować takiej pozycji, aby pokrywała się ona z obracającą się tarczą.** Odbicie spowoduje ruch urządzenia w kierunku przeciwnym do ruchu koła w punkcie zakleszczenia.
- d) Należy zachować szczególną ostrożność podczas pracy w rogach, przy ostrych krawędziach, itp., unikać blokowania lub zakleszczania akcesoriów.** Rogi, ostre krawędzie lub odskoczenie mogą blokować obracające się elementy i powodować utratę kontroli nad narzędziem lub odbicie.
- e) Nie należy mocować pilarki łańcuchowej, tarcz do rzeźbienia w drewnie, tarcz segmentowych diamentowych z otworem większym niż 10 mm, bądź tarcz pilarskich z zębem.** Mogą one powodować częste odbicia i utratę kontroli.
- f) Nie należy doprowadzać do „zacięcia się” tarczy lub dociskać ją z nadmierną siłą. Nie można wycinać zbyt głęboko.** Przeciążenie tarczy spowoduje większą podatność na odkształcenia lub zakleszczenia w wycięciu i możliwość odbicia lub rozpadnięcia koła.
- g) Po zakleszczeniu tarczy lub przerwaniu cięcia z dowolnego powodu, narzędzie należy wyłączyć i przytrzymać do całkowitego zatrzymania tarczy.** Nigdy nie należy próbować poruszającą się jeszcze ściernicę tarczową do cięcia wyciągać z miejsca cięcia, w przeciwnym razie może nastąpić odrzut. Należy sprawdzić możliwość zakleszczenia tarczy i podjąć środki zapobiegawcze.
- h) Nie można ponownie zaczynać operacji cięcia w elemencie,. Należy odczekać, aż tarcza odzyska prędkość znamionową i ponownie wprowadzić**


tarczę do wycięcia. Tarcza może się zakleszczyć, odbić lub wciągnąć narzędzie przy ponownym rozpoczynaniu pracy w wycięciu.

- i) **Panele i wszystkie inne elementy obrabiane należy podeprzeć, aby zmniejszyć ryzyko zakleszczenia lub odbicia tarczy.** Większe elementy mogą się uginać pod własnym ciężarem. Podpory musi zostać umieszczone pod elementem w pobliżu linii cięcia i na krawędzi elementu po obu stronach tarczy.
- j) **Szczególną ostrożność należy zachować przy wykonywaniu nacięć kieszeniowych w ścianach lub innych pełnych elementach.** Tarcza może spowodować uszkodzenie rur gazowych lub wodnych, przewodów elektrycznych lub innych elementów, które spowodują odbicie.

DODATKOWE ZASADY BEZPIECZEŃSTWA

1. Zawsze należy nosić maskę ochronną.

PUNKTY DOTYCZĄCE BEZPIECZEŃSTWA LASERA

 **UWAGA: Należy przeczytać wszystkie przepisy.** Błędy w przestrzeganiu następujących przepisów mogą spowodować porażenie prądem, pożar i/lub ciężkie obrażenia ciała.

Należy dobrze przechowywać te przepisy. Tego typu lasery zwykle nie przedstawiają zagrożenia optycznego, chociaż bezpośrednie spojrzenie w promień może wywołać chwilowe oślepienie.

Chronić wzrok przed bezpośrednim promieniem lasera. Istnieje zagrożenie w przypadku bezpośredniego spojrzenia w promień lasera, należy przestrzegać poniższych zasad bezpieczeństwa:

1. **Lasera powinien być używany i konserwowany w zgodności z instrukcjami producenta.**
2. **Nigdy nie należy kierować promienia**

lasera na osoby lub przedmioty poza przedmiotem obrabianym.

3. **Promienia lasera nie wolno świadomie kierować na inne osoby i należy zapobiegać, aby nie był on kierowany bezpośrednio w oczy osób dłużej niż 0,25 sekundy.**
4. **Zawsze upewniać się, czy promień lasera jest skierowany na solidne powierzchnie bez odbić, tj. można zaakceptować drewno oraz wstępnie obrobione powierzchnie.** Jasne, błyszczące blachy stalowe odbijające światło lub temu podobne nie nadają się do zastosowań laserowych, gdyż powierzchnie odbijające światło mogą skierować promień z powrotem do operatora.
5. **Nie zamieniać urządzenia laserowego innego typu urządzeniem.** Napraw powinien dokonywać producent lub autoryzowany przedstawiciel.
6. **UWAGA:** Użycie urządzeń sterujących lub regulatorów innych niż te, które zostały określone w tym dokumencie może spowodować wystawienie na niebezpieczne zagrożenie promieniowaniem.

DODATKOWE PRZEPISY BEZPIECZEŃSTWA DLA LASERA KLASY 2

Urządzenie laserowe, w które wyposażone jest to narzędzie, jest klasy 2 z maksymalnym promieniowaniem 1.5mW o długości fali 650nm.

PROMIENIOWANIE LASEROWE KLASY 2, NIE WPATRYWAĆ SIĘ W WIĄZKĘ

SYMBOLE

	Aby zmniejszyć niebezpieczeństwo odniesienia obrażeń, użytkownik powinien przeczytać podręcznik z instrukcjami
	Podwójna izolacja
	Ostrzeżenie
	Używać ochrony słuchu
	Używać ochrony wzroku
	Używać maski przeciwpyłowej
	Nie wpatrywać się w wiązkę
	Promieniowanie laserowe
	Odpady wyrobów elektrycznych nie powinny być wyrzucane razem z odpadami gospodarstwa domowego. Należy korzystać z recyklingu, jeśli istnieje odpowiednia infrastruktura. Porady dotyczące recyklingu można uzyskać u władz lokalnych lub sprzedawcy detalicznego.
	Przed rozpoczęciem wykonywania jakichkolwiek czynności serwisowych należy odłączyć wtyczkę od gniazdka elektrycznego.
	Należy zakładać okulary ochronne

	Drewno
	Aluminium
	Metal
	Błędnie
	Poprawnie
	Blokada
	Odblokowanie
	Piła tarcza diamentowa
	Piła tarczowa ze stali szybko tnącej
	Piła tarczowa TCT

INSTRUKCJA OBSŁUGI



UWAGA: Przed użyciem narzędzia należy uważnie przeczytać instrukcje.

UŻYCIĘ ZGODNE Z PRZEZNACZENIEM:

Elektronarzędzie jest przeznaczone do cięcia wzdłużnego i przecinania drewna oraz innych materiałów wzdłuż linii prostych, z mocnym oparciem na przedmiocie obrabianym.

MONTAŻ I OBSŁUGA

Działanie	Ilustracja
Montaż I Demontaż Tarcz Pilarskich	Patrz Rys. A
Przełącznik Bezpieczeństwa	Patrz Rys. B
Cięcie Poprzeczne I Wzdłużne	Patrz Rys. C1, C2
Używanie Funkcji Podświetlenia Laserowego	Patrz Rys. D1, D2
Wymiana Baterii Lasera	Patrz Rys. E1-E3
Prowadnica Równoległa	Patrz Rys. F1, F2
Regulacja Głębokości Cięcia	Patrz Rys. G1, G2
Regulacja Kąta Cięcia	Patrz Rys. H
Wycinanie	Patrz Rys. I1, I2
Odpylanie Pilarki	Patrz Rys. J

PORADY DOTYCZĄCE PIŁY TARCZOWEJ

Jeśli urządzenie mechaniczne nagrzeje się za bardzo, pozwolić na 2-3 minutową pracę piły tarczowej bez obciążenia, aby schłodzić silnik. Unikaj długich cykli pracy z dużym obciążeniem siłami cięcia.

tarcze tnące należy zabezpieczyć przed uderzeniem i drganiami. Nadmierne naciskanie znacznie zmniejsza wydajność urządzenia i zmniejsza żywotność tarczy tnącej. Wydajność i jakość cięcia zależą w dużym stopniu od stanu zębów tnących tarczy. Dlatego też, należy używać wyłącznie naostrzonych tarcz tnących, odpowiednich do ciętego materiału.

Dobór pił tarczowych: piły o 24 ostrzach do typowych zastosowań, o ok. 40 ostrzach do cięcia liniowego, o ponad 40 ostrzach do precyzyjnych cięć w delikatnych materiałach, diamentowe do

plytek ceramicznych, płytek cementowych itp. Używaj tylko zalecanych tarcz pilarskich.

KONSERWACJA

Przed dokonywaniem jakichkolwiek regulacji, obsługi technicznej lub konserwacji należy wyjąć wtyczkę z gniazdka.

Narzędzia powinny być ostre i czyste dla lepszej sprawności urządzenia i większego bezpieczeństwa. Należy postępować zgodnie z instrukcjami dotyczącymi smarowania i wymiany akcesoriów. Należy okresowo sprawdzać stan przewodów narzędzi, a w przypadku stwierdzenia uszkodzenia, dokonać naprawy w autoryzowanym punkcie serwisowym. Narzędzie to nie wymaga żadnego dodatkowego smarowania czy konserwacji. W narzędziu nie ma żadnych części, które wymagałyby serwisowania przez użytkownika. Nigdy nie należy używać wody czy środków czyszczących do czyszczenia narzędzia z napędem elektrycznym. Czyścić suchą szmatką. Zawsze należy przechowywać narzędzie w suchym miejscu. Utrzymywać w czystości otwory wentylacyjne silnika. Utrzymywać wszystkie urządzenia sterujące w czystości. w czystości.

Jeśli uszkodzony zostanie przewód zasilający, aby uniknąć niebezpieczeństwa powinien zostać wymieniony przez producenta, przedstawiciela serwisu lub inną wykwalifikowaną osobę. Okresowo oczyścić osłonę z pyłu i wiórów, aby zapewnić jej prawidłowe działanie.

OCHRONA ŚRODOWISKA



Odpady wyrobów elektrycznych nie powinny być wyrzucane razem z odpadami gospodarstwa domowego. Należy korzystać z recyklingu, jeśli istnieje odpowiednia infrastruktura. Porady dotyczące recyklingu można uzyskać u władz lokalnych lub sprzedawcy detalicznego.

ROZWIĄZYWANIE PROBLEMÓW

Objawy	Możliwa przyczyna	Możliwe rozwiązanie
Po naciśnięciu włącznika/ wyłącznika pilarka nie uruchamia się.	Wtyczka nie jest podłączona do gniazdka zasilania. Przerwany przewód zasilający. Zużyta szczotka węglowa	Sprawdź, czy przewód zasilający jest prawidłowo podłączony do gniazdka. Odłącz przewód od gniazdka. Zleć jego wymianę specjalście serwisu. Zleć wymianę szczotki specjalście serwisu.
Głębokość cięcia jest mniejsza niż ustawiona.	Nagromadzenie pyłu w tylnej części podstawy.	Strzepnij pył. Rozważ podłączenie odpylania i odkurzacza.
Piła tarczowa wiruje lub się ślizga.	Piła tarczowa nie jest dobrze zamocowana na wrzecionie.	Wymontuj piłę tarczową i załóż ponownie w sposób opisany w punkcie ZAKŁADANIE / WYMIANA PIŁY TARCZOWEJ .
Piła nie tnie wzdłuż linii prostej.	Piła jest stępiona. Piła nie została prawidłowo założona. Pilarka nie jest prawidłowo prowadzona.	Założ nową piłę o ostrych ostrzach. Sprawdź, czy piła jest prawidłowo założona. Użyj prowadnicy równoległej
Piła odbija na początku cięcia	Zbyt mała prędkość piły	Zanim rozpoczniesz cięcie, poczekaj, aż pilarka osiągnie pełną prędkość

DEKLARACJA ZGODNOŚCI

My,
POSITEC Germany GmbH
Konrad-Adenauer-Ufer 37
50668 Köln

Deklarujemy, że produkt,
Opis **WORX Pilarka elektryczna**
Typ **WX427 (4-oznaczenie maszyny,**
reprezentuje pilarkę)
Funkcja **Cięcie różnych materiałów**
obracającą się tarczą z zębami tnącymi

Jest zgodny z następującymi dyrektywami:

2006/42/EC

2004/108/EC

2011/65/EU

Normy są zgodne z:

EN 55014-1

EN 55014-2

EN 61000-3-2

EN 61000-3-3

EN 60745-1

EN 60745-2-5

EN 60745-2-22

Osoba upoważniona do kompilacji pliku
technicznego,
Nazwa Russell Nicholson
Adres Positec Power Tools (Europe)
Ltd, PO Box 152, Leeds, LS10 9DS, UK



Suzhou 2015/01/21
Allen Ding
Zastępca głównego inżyniera, testowanie i
certyfikacja:


-
1. LEZÁRÓ GOMB
 2. PUHA MARKOLATTAL ELLÁTOTT FOGANTYÚ
 3. VILLÁSKULCS
 4. KI-/BEKAPCSOLÓ GOMB
 5. TENGELYRÖGZÍTŐ GOMB
 6. ALSÓ FŰRÉSZLAPVÉDŐ
 7. ALSÓ VÉDŐKAR
 8. RÖGZÍTETT FELSŐ VÉDŐ
 9. PORELTÁVOLÍTÓ NYÍLÁS
 10. PORSZÍVÓ ADAPTER
 11. MÉLYSÉGÁLLÍTÓ KAR
 12. TALP
 13. FŰRÉSZLAP (Lásd A. Ábra)
 14. BELSŐ KARIMA (Lásd A. Ábra)
 15. A KÉS CSAVARJA (Lásd A. Ábra)
 16. PÁRHUZAMOS VEZETŐ
 17. PÁRHUZAMOS VEZETŐ RÖGZÍTŐJE

 - 100 18. FERDEVÁGÁS-ÁLLÍTÓ KAR
 19. KÜLSŐ KARIMA (Lásd A. Ábra)
 20. LÉZER
 21. LÉZER KI-/BEKAPCSOLÓ GOMB
 22. LÉZER AKKUMULÁTORA (Két Darab) (Lásd E2. Ábra)
 23. FŰRÉSZLAP IRÁNYJELZŐJE
-

Nem minden készülék tartalmazza valamennyi, a fentiekben felsorolt alkatrészt.

MŰSZAKI ADATOK

Típus **WX427 (A 4 megjelölés fűrészt jelöl)**

Feszültség		230-240V ~ 50Hz
Bemenő teljesítmény		710W
Terhelés nélküli sebesség		3700/min
Fűrészlap mérete	TCT fűrészlap	120mmx1.2mmx9.5mmx24T
	HSS fűrészlap	115mmx1.2mmx9.5mmx60T
	Gyémántkorong	115mmx1.6mmx9.5mmx60G
Vágási teljesítmény	Vágásmélység 90°-on	46mm
	Vágásmélység 45°-on	30mm
Befogótüske méret		9.5mm
Javasolt maximális anyagvastagság	Fa	46mm
	Alumínium	2.5mm
	PVC-cső (átmérő)	46mm
	Csempe	12mm
	Acéllemez	0.5mm
Orsómenet méret		M5
Fűrészlap vastagság	TCT fűrészlap	0.8mm
	HSS fűrészlap	0.65mm
	Gyémántkorong	1mm
A lézer akkumulátorának modellszáma		LR44 1.5V
Védelmi osztály		 II
A készülék súlya		2.3kg

101

ZAJÉRTÉKEK

A-súlyozású hangnyomásszint	L_{pA} : 76dB(A)
A-súlyozású hangerő	L_{wA} : 87dB(A)
K_{pA} & K_{wA}	3.0dB(A)

Viseljen fülvédőt

REZGÉSÉRTÉKEK

Az EN60745 szabvány szerint meghatározott összes rezgés (háromtengelyű vektoriális összeg) a következő:

Rezgés kibocsátás:	Fában: $a_{h,W} = 6.82 \text{m/s}^2$
	Bizonytalanság $K = 1.5 \text{m/s}^2$
	Fémlemez fűrészelések: $a_{h,M} = 5.63 \text{m/s}^2$
	Bizonytalanság $K = 1.5 \text{m/s}^2$
	vágás csempe: $a_n = 6.91 \text{m/s}^2$
	Bizonytalanság $K = 1.5 \text{m/s}^2$

A hivatalos összesített rezgésszint a szerszámok összehasonlítására, illetve a kitétség előzetes felmérésére használható.

FIGYELEM: Az elektromos kéziszerszám használata során a rezgés kibocsátás eltérhet a fenti értéktől attól függően, hogy a szerszámot hogyan használják. Az érték függhet az alábbiaktól: Hogyan használják a szerszámot, milyen anyagokat vágnak vagy fúrnak. Az eszköz jó állapotban van-e, megfelelően karbantartják-e. Megfelelő tartozékokat használnak-e az eszközhöz, vigyáznak-e, hogy hegyes legyen és jó állapotban maradjon. A markolat megfelelően rögzül-e, használnak-e rezgés csillapító tartozékokat. A szerszámot rendeltetésszerűen, kialakításának és a jelen utasításoknak megfelelően használják-e.

Ha a szerszámot nem kezelik megfelelően, kéz-kar vibrációs szindrómát okozhat.

102

FIGYELEM: A pontosság érdekében az expozíciós szint becsült értékéhez a valós használati körülmények között figyelembe kell venni a működési ciklus valamennyi elemét, így azt az időt is, amikor a szerszám ki van kapcsolva, és amikor üresjáratban működik. Ez a teljes munkaidőszak viszonylatában jelentősen csökkentheti az expozíciós szintet. A rezgés kockázatnak való kitétséget az alábbiakkal csökkentheti: MINDIG éles vésőt, pengét, és hegyes fúrófejet használjon. Az eszközt jelen utasításoknak megfelelően tartsa karban, és vigyázzon a megfelelő kenésre (ahol erre szükség van). Ha rendszeresen használja az eszközt, vásároljon rezgés csillapító tartozékokat. Kerülje az eszköz használatát 10°C vagy alacsonyabb hőmérsékleten. Úgy tervezze meg a munkáját, hogy a magas rezgésszámú eszközök használatát igénylő feladatokat több napra ossza el.

TARTOZÉKOK

TCT fűrészlap: 24T fához (WA5046)	1
HSS fűrészlap: 60T vékony acél- és alumíniumlemezekhez, PVC-csövekhez, műanyaghoz (WA5047)	1
GYÉMÁNTKORONG: 60G BETONHOZ, MÁRVÁNYHOZ, CSEMPÉHEZ, CEMENTLAPHOZ (WA5048)	1
Párhuzamos vezető	1
Porszívó adapter	1
Villáskulcs	1

Javasoljuk, hogy a tartozékokat ugyanabból a boltból vásárolja meg, ahol a szerszámot is vásárolta. Jó minőségű, márkás tartozékokat használjon. A tartozék típusát az elvégzendő munkának megfelelően válassza meg. További részleteket a tartozék csomagolásán talál. Kérjen segítséget és tanácsot a bolti eladóktól.

BIZTONSÁGI FIGYELMEZTETÉSEK AZ ÖSSZES FŰRÉSZRE VONATKOZÓAN

- a.**  **VIGYÁZAT: Kezét tartsa távol a vágófelülettől és a fűrészlaptól.** Ha két kézzel tartja a fűrész, nem vághatja el kezét a fűrészlappal.
- b) Ne nyúljon a munkadarab alá.** A védőburkolat a munkadarab alatt nem véd a fűrészlaptól.
- c) A vágásmélységet állítsa a munkadarab vastagságához .** A fűrészlap fogzatának látható része a munkadarab alatt kisebb kell, legyen, mint egy fog magassága.
- d) A munkadarabot soha ne tartsa a kezében vagy a lábán. Erősítse a munkadarabot merev alapzathoz.** Fontos a megfelelő alátámasztás az egyes testrészek érintkezésének veszélye, a fűrészlap beragadása vagy a kontroll elvesztése esélyének csökkentése érdekében.
- e) Az elektromos kéziszerszámot csak a szigetelt fogófelületeknél fogja meg, ha fennáll a veszélye, hogy a vágásra használt tartozék a rejtett vezetékeket vagy a saját hálózati vezetéket is átvághatja.** Ha a vágótárcsa feszültség alatt álló vezetékhez ér, az elektromos kéziszerszám szabadon álló fémrészei szintén feszültség alá kerülhetnek és áramütést okozhatnak.
- f) A hosszanti vágásnál mindig használjon vezetőmérceét vagy egyenes vonalú szélvezetőt.** Ezáltal jobb lesz a vágás pontossága, és csökken a fűrészlap beragadásának veszélye.
- g) Használjon mindig megfelelő nagyságú és alakú befogó nyílású fűrészlapot (rombusz vagy kör).** Azok a fűrészlapok, amelyek pontosan nem felelnek meg a fűrész befogó részeinek, lökhetnek, vagy a szerszám feletti kontroll elvesztéséhez vezethetnek.
- h) Soha ne használjon megrongálódott vagy helytelen alátéteket vagy fűrészlap befogó anyacsavart.** A fűrészlaphoz tartozó alátéteket és anyacsavarokat speciálisan a fűrészhez

tervezték, az optimális teljesítmény és a munka biztonsága érdekében.

TOVÁBBI BIZTONSÁGI ELŐÍRÁSOK AZ ÖSSZES FŰRÉSZRE VONATKOZÓAN

A VISSZARÚGÁS OKAI ÉS KAPCSOLÓDÓ FIGYELMEZTETÉSEK

- A visszarúgás a beszorult, beblokkolt vagy nem kiegyensúlyozott fűrészlap hirtelen reakciója, mely a fűrész kontroll nélküli mozgását jelentheti, illetve a munkadarabból való kiesését a felhasználó felé.
- Ha a fűrészlap be van szorulva, vagy teljesen be van blokkolva a vágásban, megáll a motor reakciós ereje, és ez gyors visszalökést jelenthet a felhasználó felé.
- Ha a fűrészlap el van fordítva, vagy nincs kiegyensúlyozva a vágásban, a fogak a fűrészlap hátsó részén felülről beleütközhetnek a fa felületébe, így a fűrészlap kiugrik a vágásból, a fűrész pedig kiesik a munkadarabból a felhasználó felé.

A visszarúgás a fűrész helytelen használatának és/vagy annak az oka, hogy nincsenek betartva a használati utasítások, amelyek megelőzhetőek az alábbi óvintézkedések figyelembevételével:

- a) A fűrész fogja erősen, karját pedig tartsa olyan helyzetben, hogy ellenállhasson a visszarúgás erejének. Teste a fűrészlap egyik vagy másik oldalán legyen, de ne egy vonalban a fűrészlappal.** A visszarúgás következtében a fűrész visszaugorhat, azonban a visszarúgás erejét a felhasználó irányítani tudja, ha betartja a megfelelő biztonsági utasításokat.
- b) Ha a fűrészlap beszorulására kerül sor, vagy bármilyen okból meg kell szakítani a vágást, engedje fel a kapcsolót, és tartsa a fűrész a munkadarabban, amíg a fűrész teljesen meg nem áll. Soha ne próbálja meg kiemelni vagy visszahúzni a fűrész a vágásból, ha a fűrészlap mozgásban van, mivel ez visszarúgáshoz vezethet.**

Tanulmányozza és tegye meg a szükséges javító intézkedéseket, hogy ki tudja iktatni a fűrészlap beszorulásának okát.

- c) Ha újraindítja a fűrész a fűrészlappal a munkadarabban, központosítsa a fűrészlapot a vágási árokban, és győződjön meg róla, hogy a fogak nem ütköznek az anyagba.** Ha a fűrészlap fordulata korlátozva van, az újraindításkor a fűrész kijöhet a munkadarabból, vagy visszarúghat.
- d) Ha nagy lapokat vág, jól támassza ezeket alá, hogy meggátolja a fűrészlap beszorulását és a visszarúgást.** A nagy lapok hajlamosak az elhajlásra saját súlyukból kifolyólag. Alátétet kell helyezni a lap alá mindkét oldalról, a vágás közelében és a lap széle közelében egyaránt.
- e) Ne használjon tompa vagy megrongált fűrészlapokat.** Az életlen vagy helytelen beállítású fűrészlapok keskeny vágási árkot képeznek, és ezáltal nagy súrlódást okoznak, amely korlátozza a fűrészlap fordulását, és visszarúgáshoz vezethet.
- f) Mielőtt vágni kezd, szorítsa meg és rögzítse a fűrészlap vágásmélység- és szögbeállító lezáró karjait.** Ha vágás közben változik a fűrészlap beállításának helyzete, ez a fűrészlap beszorulásához és visszarúgáshoz vezethet.
- g) Legyen különösen óvatos, amikor fűrészelés a falba vagy más olyan helyre, ahová nem lát be.** A fűrészlap, amely átjut a munkadarab másik oldalára, akadályba ütközhet, és ez visszarúgást eredményezhet.

FŰRÉSZEKRE VONATKOZÓ BIZTONSÁGI UTASÍTÁSOK (FORGATHATÓ ALSÓ VÉDŐBURKOLATTAL FELSZERELT KÖRFŰRÉSZ)

ALSÓ VÉDŐFUNKCIÓ

- a) Minden használat előtt ellenőrizze, hogy az alsó védőburkolat rendesen zárjon. Ne dolgozzon a fűrészszel,**

ha az alsó védőburkolat nem mozog szabadon, és nem zár azonnal.

Soha ne zárja le vagy rögzítse az alsó védőburkolatot nyitott helyzetben.

Ha a fűrész véletlenül leejti, előfordulhat, hogy az alsó védőburkolat elhajlik. A behúzható karral engedje le az alsó védőburkolatot, ellenőrizze, hogy szabadon mozog, és semmilyen szögben vagy vágásmélységben nem érintkezik a fűrészlappal vagy más alkatrészszel.

- b) Ellenőrizze a védőburkolat rugójának működését. Ha a védőburkolat és a rugó működése nem megfelelő, használat előtt ezt meg kell javíttatni.** Az alsó védőburkolat lassan reagálhat valamely részének megrongálódása, ragacsos lerakódások vagy szennyeződések miatt.

- c) Az alsó védőburkolatot csak speciális vágások, például “bemerítő vágás” vagy “kombinált vágás” végzéséhez szabad kézzel visszahúzni. A kart visszahúzva emelje fel az alsó védőburkolatot, majd amikor a fűrészlap behatol az anyagba, engedje le az alsó védőburkolatot.** Az alsó védőburkolat működésének minden más vágás esetében automatikusnak kell lennie.

- d) Mielőtt a fűrész a munkaasztalra vagy az aljzatra teszi, ellenőrizze, hogy az alsó védőburkolat fedi-e a fűrészlapot.** A nem védett kifutó fűrészlap a fűrész visszairányuló mozgását eredményezheti, és vág mindent, ami az útjában van. Legyen tudtában annak, hogy mennyi ideig tart a fűrészlap leállása a kapcsoló kikapcsolásától számítva.

TOVÁBBI BIZTONSÁGI SZABÁLYOK A KÖRFŰRÉSSZEL

1. Minden esetben viseljen pormaszkot, fülvédőt és szemvédőt.
2. Csak a műszaki adatoknál megadott fűrészlapot használjon.
3. Csak a jelöléseknek megfelelő fűrészlap-átmérő(ke)t használjon.

TOVÁBBI BIZTONSÁGI UTASÍTÁSOK DARABOLÓGÉPRE

- a) A szerszámhoz adott védőburkolatot kötelező biztonságosan felerősíteni a gépre, és a legnagyobb biztonságot nyújtó módon beállítani úgy, hogy a tárcsa a lehető legkisebb mértékben legyen takaratlan a használó irányába. A használó és a jelenlévő más személyek se tartózkodjanak a forgó tárcsa síkjában.** A védőburkolat védi a kezelőt a tárcsa leváló darabjaitól és a tárcsa véletlen megérintésétől.
- b) A szerszámot csak gyémánt darabolókoronggal használja.** Az a tény, hogy egy adott tartozékot rögzíteni lehet az elektromos kéziszerszámmra, még nem garantálja annak biztonságos alkalmazását.
- c) A tartozék megengedett fordulatszámának legalább akkorának kell lennie, mint az elektromos kéziszerszámon megadott legnagyobb fordulatszám.** A megengedettnél gyorsabban forgó tartozékok eltörhetnek és szétrepülhetnek.
- d) A tárcsákat csak a javasolt célokra szabad használni. Például: sohase csiszoljon a darabolótárcsa élével. A darabolótárcsák arra vannak méretezve, hogy az anyagot a tárcsa élével munkálják le.** Az oldalirányú erők hatására a tárcsa eltörhet.
- e) Mindig ép tárcsakarimákkal dolgozzon, amelyek a választott tárcsának megfelelő átmérőjűek.** A megfelelő karima megtámasztja a tárcsát és így csökkenti a tárcsa eltörésének veszélyét.
- f) Ne használjon nagyobb elektromos kéziszerszámokhoz való elhasznált, megerősített tárcsákat.** A nagyobb elektromos kéziszerszámokhoz való tárcsák nincsenek a kisebb elektromos kéziszerszámok magasabb fordulatszámára méretezve, és szétrepülhetnek.
- g) A tartozék külső átmérőjének és vastagságának meg kell felelnie az**

elektromos kéziszerszám névleges teljesítményének. A hibásan méretezett tartozékokat nem lehet megfelelően védeni vagy irányítani.

- h) A tárcsáknak és karimáknak feltétlenül pontosan illeszkedniük kell a gép tengelyére.** Azok a tárcsák és karimák, amelyek nem illeszkednek pontosan a gép befogóelemére, kiegyensúlyozatlanul forognak, erősen beremegnek és lehetetlenné tehetik a kéziszerszám irányítását.
- i) Ne használjon sérült tárcsákat. Minden használat előtt ellenőrizze a tárcsákat a leváló részek és repedések szempontjából. Ha az elektromos kéziszerszám vagy a tárcsa leesik, vizsgálja át, hogy nem rongálódott-e meg, illetve használjon hibátlan tárcsát. Miután ellenőrizte és felszerelte a tárcsát, kerülje el a jelenlévő személyekkel együtt a forgó tárcsa síkját, és járassa egy percig az elektromos kéziszerszámot terhelés nélkül a legmagasabb fordulatszámom.** A megrongálódott tárcsák ez alatt a próbaidő alatt általában már széttörnek.
- j) Viseljen személyi védőfelszerelést. Használjon az alkalmazásnak megfelelő védőálarcot, munkavédelmi szemüveget vagy védőszemüveget. Amennyiben célszerű, viseljen porvédő álarcot, zajtompító fülvédőt, védőkesztyűt vagy különleges kötényt, amely távol tartja a csiszolószerszám-és anyagrészecskéket.** A munkavédelmi szemüvegnek meg kell védenie a szemét a kirepülő idegen anyagoktól, amelyek a különböző alkalmazások során keletkeznek. A por-vagy védőálarcnak meg kell szűrnie a használat során keletkező port. Ha hosszú ideig ki van téve az erős zajnak, halláskárosodást szenvedhet.
- k) Ügyeljen arra, hogy a többi személy biztonságos távolságban maradjon az ön munkaterületétől. Minden olyan személynek, aki belép a munkaterületre, személyi védőfelszerelést kell viselnie. A**

munkadarab vagy tárcsa letört részei kirepülhetnek, és a közvetlen munkaterületen kívül is személyi sérülést okozhatnak.

l) Az elektromos kéziszerszámot csak a szigetelt fogófelületeknél fogja meg, ha fennáll a veszélye, hogy a vágásra használt tartozék a rejtett vezetékeket vagy a saját hálózati vezetékét is átvághatja. Ha a vágótárcsa feszültség alatt álló vezetékhez ér, az elektromos kéziszerszám szabadon álló fémrészei szintén feszültség alá kerülhetnek és áramütést okozhatnak.

m) Tartsa távol a hálózati csatlakozókábelt a forgó tartozéktól. Ha elveszíti az uralmát az elektromos kéziszerszám felett, az átvághatja vagy magával ránthatja a hálózati csatlakozókábelt, és az Ön keze vagy karja is a forgó tárcsához érhet.

n) Soha ne tegye le az elektromos kéziszerszámot, mielőtt a tartozék teljesen leállna. A forgásban lévő tárcsa beakadhat a felületbe, és Ön elvesztheti az uralmát az elektromos kéziszerszám felett.

o) Az elektromos kéziszerszámot működés közben ne vigye másik helyre. A forgó tartozék egy véletlen érintkezés során beleakadhat a ruhájába, és a tartozék belefúródhat a testébe.

p) Tisztítsa meg rendszeresen az elektromos kéziszerszám szellőzőnyílásait. A motor ventilátora beszívja a port a házba, és a nagyobb mennyiségű fémpor felhalmozódása elektromos veszélyekhez vezethet.

q) Ne használja az elektromos kéziszerszámot éghető anyagok közelében. A szikrák ezeket az anyagokat meggyújthatják.

r) Ne használjon olyan tartozékokat, amelyek alkalmazásához folyékony hűtőanyagra van szükség. Víz és egyéb hűtőfolyadékok alkalmazása áramütéshez vezethet.

Visszarúgás és kapcsolódó figyelmeztetések

A visszarúgás a forgó tárcsa beszorulása vagy megakadása következtében fellépő váratlan

reakció. A beszorulás vagy megakadás a forgó tárcsa gyors elakadását eredményezi, amelynek következtében az ellenőrizhetetlen szerszám a tárcsa forgásirányával ellentétes irányba kényszerül a megakadási ponton.

Ha például egy csiszolókorong beékelődik, vagy leblokkol a megmunkálásra kerülő munkadarabban, a csiszolókorongnak a munkadarabba bemerülő éle leáll, és így a csiszolókorong kiugorhat vagy visszarúgást okozhat. A csiszolókorong ekkor a korongnak a leblokkolási pillanatban fennálló forgásirányától függően a kezelő személy felé, vagy attól távolodva mozdul el. A csiszolókorong ilyenkor el is törhet.

A visszarúgás az elektromos kéziszerszám hibás vagy helytelen használatának következménye. Ezt az alábbiakban leírt, megfelelő óvintézkedésekkel meg lehet gátolni.

a) Tartsa szorosan az elektromos kéziszerszámot, és hozza a testét és a karjait olyan helyzetbe, amelyben fel tudja venni a visszarúgó erőket. Használja mindig a kiegészítő fogantyút, ha létezik, amellyel a lehető legjobban felfoghatók a visszarúgó erők vagy az indítónyomaték a kéziszerszám indításakor. A kezelő személy megfelelő óvintézkedésekkel ellentarthat az indítónyomatéknak és a visszarúgó erőknek.

b) Soha ne közelítsen a kezével a forgó tartozékhoz. A tartozék visszarúgás esetén a kezéhez érhet.

c) Ne helyezkedjen a forgó tárcsa vonalába. A visszarúgás az elektromos kéziszerszámot a csiszolókorongnak a leblokkolási pillanatban fennálló forgásirányával ellentétes irányba lendíti.

d) A sarkok és élek közelében különösen óvatosan dolgozzon, akadályozza meg, hogy a tartozék lepattanjon a munkadarabról, vagy beékelődjön a munkadarabba. A forgó tartozék a sarkoknál, éleknél és lepattanás esetén könnyen beékelődik. Ez a készülék feletti uralom elvesztéséhez, vagy visszarúgáshoz vezethet.

e) Ne használjon 10 mm-nél nagyobb perifériás réssel rendelkező fűrészláncot, favéső lapot,

szegmentált gyémánttárcsát, és ne használjon fogazott fűrészlapot. Az ilyen tartozékok gyakran visszarúgáshoz vezetnek, és a kezelő elveszítheti az uralmát az elektromos kéziszerszám felett.

- f) Ne akassa meg a tárcsát, és ne alkalmazzon túlzott nyomást.** Ne végezzen túl mély vágást. A túlterhelés megnöveli a tárcsa igénybevételeit, a beékelődési vagy leblokkolási hajlamát, és visszarúgáshoz vagy a tárcsa töréséhez vezethet.
- g) Ha a tárcsa beékelődik, vagy ha a kezelő megszakítja a munkát, kapcsolja ki az elektromos kéziszerszámot, és tartsa azt mozdulatlanul, amíg a tárcsa teljesen leáll. **Soha ne próbálja meg kivenni a vágott anyagból a mozgó tárcsát, mivel ez visszarúgáshoz vezethet.** Határozza meg és hárítsa el a beékelődés okát.
- h) Addig ne kapcsolja ismét be az elektromos kéziszerszámot, amíg az benne van a munkadarabban. Várja meg, amíg a tárcsa eléri a teljes fordulatszámát, majd óvatosan illessze be a vágásba.** A tárcsa ellenkező esetben beékelődhet, kiugorhat a munkadarabból, vagy visszarúgáshoz vezethet.
- i) Támassza meg a lemezeket vagy nagyobb munkadarabokat, hogy csökkentse egy beékelődő tárcsa következtében fellépő visszarúgás kockázatát. A nagyobb munkadarabok saját súlyuk alatt meghajolhatnak.** A munkadarabot a tárcsa mindkét oldalán, a vágási vonal közelében, és a szélénél alá kell támasztani.
- j) Ha egy meglévő falban, vagy más be nem látható területen hoz létre „zseb alakú beszúrást“, járjon el különös óvatossággal.** Az anyagba behatoló tárcsa gáz- vagy vízvezetékbe, elektromos vezetékbe vagy más tárgyakra ütközhet, amelyek visszarúgást okozhatnak.

TOVÁBBI BIZTONSÁGI SZABÁLYOK:

1. Minden esetben viseljen pormaszkot.

ÁLTALÁNOS BIZTONSÁGI ELŐÍRÁSOK A LÉZERREL KAPCSOLATBAN



FIGYELEM: Olvasson el minden biztonsági figyelmeztetést és valamennyi utasítást. Ha nem tartja be a figyelmeztetéseket és utasításokat, az komoly sérülésekhez vezethet.

Őrizzen meg minden figyelmeztetést és utasítást, a jövőben szüksége lehet ezekre.

Ezek a lézerek rendes körülmények között nem jelentenek veszélyt a látásra nézve, azonban a sugár hosszas nézése pillanatnyi vakságot okozhat. Ne nézzen közvetlenül a lézersugárra. Sérülés léphet fel, ha szándékosan belenéz a sugárba, kérjük, vegye figyelembe az alábbi biztonsági előírásokat:

1. A lézert a gyártó előírásainak megfelelően kell használni és karbantartani.
2. Soha ne irányítsa a sugarat személyekre vagy tárgyakra a munkadarabon kívül.
3. A lézersugarat nem szabad szándékosan egy másik személy felé irányítani, és kerülni kell a személy szemé felé történő irányítását 0,25 másodpercnél tovább.
4. Mindig gondoskodjon arról, hogy a lézersugár csak tükröződő felületek nélküli munkadarabra irányuljon, például fa- és durva borítású felületekre. A fényes felületű acéllemezek vagy hasonló jellegű munkadarabok nem alkalmasak a lézeralkalmazásra, mivel a tükröződő felület visszairányíthatja a lézersugarat a felhasználóra.
5. **Ne helyettesítse a lézert egy másik típusal.** A javításokat a gyártónak vagy egy erre jogosult megbízottnak kell elvégeznie.
6. **FIGYELMEZTETÉS:** Az itt megadott vezérlésektől és beállításoktól eltérő műveletek veszélyes sugárzásnak való kitettséghez vezethetnek.

**KIEGÉSZÍTŐ BIZTONSÁGI
FIGYELMEZTETÉSEK 2-ES OSZTÁLYÚ
LÉZEREKHEZ**

Az eszköz által tartalmazott lézer 2-es osztályú,
maximális sugárzása 1.5mW, hullámhossza 650 nm.

**2-ES OSZTÁLYÚ LÉZERSUGÁRZÁS, NE
NÉZZEN BELE A SUGÁRBA**

SZIMBÓLUMOK

	A sérülésveszély csökkentése érdekében a felhasználónak el kell olvasnia az utasításokat
	Dupla szigetelés
	Figyelmeztetés
	Viseljen szemvédőt
	Viseljen fülvédőt
	Viseljen pormaszkot
	Ne nézzen bele a sugárba
	Lézersugárzás
	A leselejtezett elektromos készülékek nem dobhatók ki a háztartási hulladékkal. Ha van a közelben elektromos hulladék gyűjtő udvar, vigye oda a készüléket. Az újrahasznosítási lehetőségekről tájékozódjon a helyi hatóságoknál vagy a kereskedőnél.
	Mielőtt bármilyen munkát végezne magán a szerszámon, húzza ki az áramból.
	Viseljen védőszemüveget

	Fa
	Alumínium
	Fém
	Helytelen
	Helyes
	Zár
	Nyit
	Gyémántkorong
	HSS fűrészlap
	TCT fűrészlap

HASZNÁLATI UTASÍTÁSOK



MEGJEGYZÉS: Mielőtt a szerszámot használná, olvassa el figyelmesen az utasításokat.

RENDELTETÉS:

A szerszám felhasználható hosszanti és keresztvágásokra fába és más anyagokba, miközben szilárdan a munkadarabon támaszkodik.

ÖSSZESZERELÉS ÉS MŰKÖDÉS

Művelet	Ábra
A Fűrészlap Behelyezése És Eltávolítása	Lásd A. Ábra
Biztonsági Be/Ki Kapcsoló	Lásd B. Ábra
Hosszanti És Keresztvágás	Lásd C1,C2. Ábra
A Lézerfény Funkció Használata	Lásd D1,D2. Ábra
A Lézer Akkumulátorainak Cseréje	Lásd E1-E3. Ábra
Párhuzamos Vezető	Lásd F1,F2. Ábra
Vágásmélység Beállítása	Lásd G1,G2. Ábra
Vágásszög Beállítása	Lásd H. Ábra
Zsebvágás	Lásd I1,I2. Ábra
Fűrészpor Eltávolítása	Lásd J. Ábra

AZ ESZKÖZ HASZNÁLATÁVAL KAPCSOLATOS JAVASLATOK

Amennyiben Versacut fűrészze túlságosan felmelegedik, kérjük, járassa VersacutTM fűrészét terhelés nélkül 2-3 percig a motor lehűlése érdekében. Kerülje a hosszú ideig tartó használatot nehéz terhelés alatt.

Óvja a fűrészlapokat az ütődéstől és rázkódástól. A túlzott előtolás jelentősen csökkenti a gép teljesítőképességét, illetve a fűrészlap élettartamát. A fűrészelési teljesítmény és a vágás minősége alapvetően függ a fűrészlap fogainak számától. Éppen ezért csak olyan éles fűrészlapot

használjon, amely megfelel a feldolgozandó anyagnak.

Fűrészlap választása: 24 fogas általános munkához, kb. 40 fogas finom vágásokhoz, több mint 40 fogas nagyon finom, kényes felületbe történő vágásokhoz, gyémánt a csempéhez, cementlaphoz stb.

Csak a javasolt fűrészlapot használja.

A SZERSZÁMOK KARBANTARTÁSA

Bármilyen állítás, javítás vagy karbantartási művelet előtt húzza ki a kábelt a konnektorból.

A szerszámokat tartsa élesen és tisztán a jobb és biztonságosabb teljesítmény érdekében. Kövesse az utasításokat a kenésre és a tartozékok cseréjére vonatkozóan. Időnként ellenőrizze az eszköz kábelét, és amennyiben sérülést észlel rajta, javíttassa meg egy erre jogosult szolgáltatóval. Az elektromos kéziszerszámot nem szükséges megkenni vagy karbantartani. Az elektromos kéziszerszám nem tartalmaz a felhasználó által javítható alkatrészeket. Soha ne használjon vizet vagy vegyi tisztítószeret a szerszám tisztításához. Törölje tisztára egy száraz ronggyal. A szerszámot mindig száraz helyen tárolja. Tartsa tisztán a motor szellőzőnyílásait. Minden szabályozóeszközt tartson pormentesen. Amennyiben az áramellátó kábel sérült, a gyártónak, a megbízott szerviznek vagy egy hasonlóan képesített szakembernek ki kell cserélnie azt a kockázatok elkerülése érdekében. Időnként tisztítsa meg a védőburkolatot és a talpat a portól és szilánkoktól a megfelelő teljesítmény biztosításához.

KÖRNYEZETVÉDELEM



A leselejtezett elektromos készülékek nem dobhatók ki a háztartási hulladékkal.

Ha van a közelben elektromos hulladék gyűjtő udvar, vigye oda a készüléket. Az újrahasznosítási lehetőségekről tájékozódjon a helyi hatóságoknál vagy a kereskedőnél.

HIBAELHÁRÍTÁS

Tünet	Lehetséges okok	Lehetséges megoldás
Az eszköz nem kapcsol be, amikor megnyomom a ki-/bekapcsoló gombot.	Nincs csatlakoztatva a hálózati csatlakozózsín. A hálózati csatlakozózsín megszakadt. A szénkefe elkopott	Ellenőrizze, hogy a hálózati csatlakozózsín megfelelően csatlakoztatva van egy működő konnektorba. Húzza ki a hálózati csatlakozózsínort. Cserélje ki egy képesített karbantartási szakember segítségével. Cserélje ki a szénkefét egy képesített karbantartási szakember segítségével.
A vágásmélység kevesebb a megadottnál.	A fűrészpor felgyűlt a talp hátoldalán.	Rázza ki a fűrészport. Esetleg csatlakoztasson egy porszívót a por összegyűjtéséhez.
A fűrészlap forog vagy csúszkál	A fűrészlap nincs szorosan a tengelyhez rögzítve.	Távolítsa el a fűrészlapot, majd szerelje össze újra a FELSZERELÉS/ FŰRÉSZLAPCSERE című fejezetben leírtak szerint.
112 A fűrészlap nem vág egyenesen.	A fűrészlap tompa. A fűrészlap nincs megfelelően befogva. A fűrész nincs megfelelően vezetve.	Fogjon be egy új, éles fűrészlapot a fűrészbe. Ellenőrizze, hogy a fűrészlap helyesen van-e befogva. Használjon párhuzamos vezetőt.
A fűrészlap visszarúg a vágás megkezdésekor	A fűrészlap nem forog elég gyorsan	A vágás megkezdése előtt várja meg, míg a fűrészlap eléri a végső sebességet

MEGFELELŐSÉGI NYILATKOZAT

A gyártó,
POSITEC Germany GmbH
Konrad-Adenauer-Ufer 37
50668 Köln

Kijelenti, hogy a termék:

Leírás **WORX Elektromos körfűrész**
Típus **WX427 (A 4 megjelölés fűrészjelöl)**

Rendeltetés **Különböző anyagok
vágása egy forgó fogazott fűrészlap
segítségével**

Megfelel a következő irányelveknek:

2006/42/EC

2004/108/EC

2011/65/EU

Az alábbi normáknak:

EN 55014-1

EN 55014-2

EN 61000-3-2

EN 61000-3-3

EN 60745-1

EN 60745-2-5

EN 60745-2-22

A műszaki dokumentáció összeállítására jogosult
személy:

Név Russell Nicholson

**Cím Positec Power Tools (Europe) Ltd,
PO Box 152, Leeds, LS10 9DS, UK**



Suzhou 2015/01/21

Allen Ding

Helyettes főmérnöke, Tesztelés és minősítés


-
1. **BUTON DE BLOCARE**
 2. **MÂNER CU ÎNVELIȘ MOALE**
 3. **CHEIE HEXAGONALĂ**
 4. **ÎNTRERUPĂTOR ON/OFF (PORNIRE/OPRIRE)**
 5. **BUTON DE BLOCARE A ARBORELUI**
 6. **APĂRĂTOARE PÂNZĂ INFERIOARĂ**
 7. **MANETĂ APĂRĂTOARE INFERIOARĂ**
 8. **APĂRĂTOARE SUPERIOARĂ FIXĂ**
 9. **GURĂ DE EVACUARE PENTRU EXTRACTIA PRAFULUI**
 10. **ADAPTOR PENTRU ASPIRATOR**
 11. **MANETĂ DE REGLARE A ADÂNCIMII**
 12. **PLACĂ DE BAZĂ**
 13. **PÂNZĂ DE FERĂSTRĂU (Consultați Fig. A)**
 14. **FLANȘĂ INTERIOARĂ (Consultați Fig. A)**
 15. **ȘURUB PÂNZĂ (Consultați Fig. A)**
 16. **GHIDAJ PARALEL**
 17. **ELEMENT DE STRÂNGERE PENTRU GHIDAJUL PARALEL**

 - 114 18. **MANETĂ DE REGLARE ÎNCLINAȚIE**
 19. **FLANȘĂ EXTERIOARĂ (Consultați Fig. A)**
 20. **LASER**
 21. **COMUTATOR PORNIRE-OPRIRE LASER**
 22. **BATERII LASER (Două) (Consultați Fig. E2)**
 23. **INDICATOR DE ALINIERE A PÂNZEI**
-

Nu toate accesoriile ilustrate sau descrise sunt incluse în livrarea standard.

DATE TEHNICE

Tip **WX427 (4 - denumire mașină, reprezentând ferăstrăul)**

Tensiune		230-240V ~ 50Hz
Putere		710W
Turație în gol		3700/min
Dimensiunea pânzei	Pânză TCT	120mmx1.2mmx9.5mmx24T
	Pânză HSS	115mmx1.2mmx9.5mmx60T
	Disc diamant	115mmx1.6mmx9.5mmx60G
Capacitate tăiere	Adâncime de tăiere la 90°	46mm
	Adâncime de tăiere la 45°	30mm
Dimensiuni arbore		9.5mm
Grosime maximă recomandată a materialului	Lemn	46mm
	Aluminiu	2.5mm
	Țeavă PVC (Diametru)	46mm
	Placă ceramică	12mm
	Tablă de oțel	0.5mm
Dimensiunea filetul axului		M5
Ferăstrău pânzei grosime	Pânză TCT	0.8mm
	Pânză HSS	0.65mm
	Disc diamant	1mm
Nr. model baterie laser		LR44 1,5V
Clasă de protecție		 II
Greutate unealtă		2.3kg

115

INFORMAȚII ZGOMOTE/VIBRAȚII

Presiune sonică ponderată	L_{pA} : 76dB(A)
Putere acustică ponderată	L_{WA} : 87dB(A)
K_{PA} & K_{WA}	3.0dB(A)


Purtați echipament de protecție pentru urechi

INFORMAȚII PRIVIND VIBRAȚIILE

Valori totale vibrații (sumă vectorială triaxială) determinată conform EN 60745:

Valoare emisii de vibrații:	Tăiere lemn: $a_{h,W} = 6.82\text{m/s}^2$
	Marjă de eroare $K = 1.5\text{m/s}^2$
	Tăiere oțel: $a_{h,M} = 5.63\text{m/s}^2$
	Marjă de eroare $K = 1.5\text{m/s}^2$
	Tăiere placă ceramică: $a_h = 6.91\text{m/s}^2$
	Marjă de eroare $K = 1.5\text{m/s}^2$

Valoarea totală declarată a vibrațiilor poate fi utilizată pentru compararea unei unelte cu o alta și, de asemenea, poate fi utilizată în cazul unei evaluări preliminare a expunerii.

 **AVERTISMENT:** Valoarea emisiilor de vibrații în timpul utilizării efective a unelei electrice poate diferi de valoarea nivelului declarat, în funcție de modul în care unealta este utilizată, în funcție de următoarele exemple și alte variații privind utilizarea unelei:

Modul în care este utilizată unealta și materialele tăiate sau găurite.

Unealta să fie într-o stare bună și întreținută corespunzător


Utilizarea accesoriului corect pentru unealtă, fiind ascuțit și în bună stare de funcționare.

Strângerea cu fermitate a mânerelor și utilizarea oricăror accesorii anti-vibrații.

Iar unealta este utilizată conform destinației de utilizare și acestor instrucțiuni.

Această unealtă poate cauza sindromul vibrației mâinii-brațului dacă nu este utilizată corespunzător.

116

 **AVERTISMENT:** Pentru precizie, o estimare a nivelului de expunere în condițiile de utilizare reale trebuie de asemenea să țină cont de toate componentele ciclului de operare, precum momentele când unealta este oprită și când merge în gol, dar nu efectuează operația propriu-zisă.

Acest lucru ar putea reduce semnificativ nivelul de expunere pe durata totală de lucru.

Ajută la reducerea riscului de expunere la vibrații.

Utilizați ÎNTOTDEAUNA dălți, burghie și pânze ascuțite

Întrețineți unealta în conformitate cu aceste instrucțiuni și mențineți-o bine lubrifiată (dacă este cazul)

Dacă unealta va fi utilizată în mod regulat, investiți în accesorii anti-vibrații.

Evitați utilizarea uneltelor la temperaturi de 10°C sau mai puțin.

Planificați-vă lucrul pentru a desfășura utilizarea uneltelor cu nivel ridicat de vibrații de-a lungul mai multor zile.

ACCESORII

Pânză TCT: 24T pentru lemn (WA5046)	1
Pânză HSS: 60T pentru tablă subțire de oțel și aluminiu, țevă PVC, plastic (WA5047)	1
DISC DIAMANT: 60G PENTRU BETON, MARMURĂ, PLACĂ CERAMICĂ, PLACĂ DE CIMENT (WA5048)	1
Ghidaj paralel	1
Adaptor pentru aspirator	1
Cheie Hexagonală	1

Vă recomandăm să achiziționați accesoriile de la același magazin de la care ați cumpărat unealta. Utilizați accesorii de bună calitate, de la un producător cunoscut. Alegeți tipul în funcție de lucrarea pe care urmează să o efectuați. Consultați ambalajul accesoriului pentru detalii suplimentare. Personalul din magazin vă poate oferi asistență și sfaturi.

AVERTISMENT DE SIGURANȚĂ PENTRU TOATE FERĂSTRAIELE

- a)  **PERICOL: Țineți mâinile la distanță de zona de tăiere și pânza de ferăstrău.** Dacă ambele mâini sunt fixate pe ferăstrău, acestea nu pot fi tăiate de pânză.
- b) **Nu introduceți mâna sub piesa de prelucrat.** Apărătoarea nu vă poate proteja împotriva pânzei sub piesa de prelucrat.
- c) **Reglați adâncimea de tăiere la grosimea piesei de prelucrat.** Mai puțin de un dinte complet al pânzei trebuie să fie vizibil sub piesa de prelucrat.
- d) **Nu țineți niciodată în mână sau pe picioare piesa pe care o tăiați. Fixați piesa de prelucrat pe o platformă stabilă.** Este important să susțineți corespunzător piesa de prelucrat pentru a reduce expunerea corpului, îndoirea pânzei sau pierderea controlului.
- e) **Țineți unealta electrică numai de suprafața izolată de prindere atunci când efectuați o operațiune la care accesoriul de debitare poate intra în contact cu circuite electrice ascunse sau cu cablul propriu de alimentare.** Accesoriul de debitare care intră în contact cu un cablu sub tensiune poate descoperi părțile metalice ale acestuia și poate provoca electrocutarea operatorului.
- f) **Când spintecați, folosiți întotdeauna o riglă de ghidare sau un ghidaj cu margine dreaptă.** Astfel sporiți precizia de tăiere și reduceți riscul de înțepenire a pânzei.
- g) **Utilizați întotdeauna pânze de dimensiunea și forma corectă (diamant versus rotund) pentru orificiile axului.** Pânzele care nu coincid componentelor de montare ale ferăstrăului vor funcționa excentric, cauzând pierderea controlului.
- h) **Nu utilizați niciodată șaibe sau bolțuri deteriorate sau incorecte pentru pânze.** Șaibele și bolțurile pentru pânze au fost concepute special pentru ferăstrăul dumneavoastră, pentru performanțe optime și operare în siguranță.

INSTRUCȚIUNI SUPLIMENTARE PRIVIND SIGURANȚA PENTRU TOATE FERĂSTRAIELE

Cauze ale reculului și alte avertismente similare

- Reculul este o reacție bruscă la o pânză de ferăstrău agățată, blocată sau nealiniată, cauzând ridicarea și ieșirea din piesa de prelucrat a unui ferăstrău scăpat de sub control, înspre operator.
- Când pânza este prinsă sau înțepenită la închiderea fantei, aceasta se blochează, iar reacția motorului împinge rapid unitatea înapoi înspre operator.
- Dacă pânza se răsuște sau este nealiniată în timpul tăierii, dinții din spate pot pătrunde în suprafața superioară a lemnului cauzând ieșirea din fantă a pânzei și reculul înspre operator.

Reculul este rezultatul utilizării incorecte a ferăstrăului și/sau al procedurilor sau condițiilor de lucru necorespunzătoare, putând fi evitat prin adoptarea unor măsuri de precauție adecvate prezentate în continuare.

- a) **Țineți ferăstrăul strâns și poziționați mâna astfel încât să faceți față forțelor de recul. Poziționați-vă corpul de o parte și de alta a pânzei, dar nu în linie cu pânza. Poziționați cealaltă mână departe de traiectoria ferăstrăului.** Reculul ar putea cauza aruncarea ferăstrăului înapoi, dar forțele de recul pot fi controlate de către operator, dacă sunt luate măsurile de precauție adecvate.
- b) **Când pânza este înțepenită sau când întrerupeți o tăietură din diferite motive, eliberați butonul declanșator și țineți ferăstrăul nemișcat în material până când pânza se oprește complet. Nu încercați niciodată să îndepărtați ferăstrăul din piesa pe care o tăiați sau să-l trageți înapoi în timpul mișcării pânzei deoarece puteți cauza un recul.** Investigați și luați măsuri corective pentru a elimina cauza prinderii pânzei.

- c) Când reporniți un ferăstrău în piesa de prelucrat, centrați pânza ferăstrăului în fantă și verificați dacă dinții ferăstrăului nu sunt prinși în material.** Dacă pânza ferăstrăului este prinsă, acesta se poate ridica sau poate fi împins înapoi din piesa de prelucrat atunci când îl reporniți.
- d) Rezemați panourile mari pentru a reduce riscul prinderii sau reculului pânzei.** Panourile mari au tendința să se încovoieze sub propria greutate. Trebuie așezate suporturi sub panou pe ambele părți, în apropierea liniei de tăiere și în apropierea marginii panoului.
- e) Nu utilizați pânze uzate sau deteriorate.** Pânzele neascuțite sau montate incorrect produc o fantă îngustă, cauzând o fricțiune excesivă și prinderea și reculul pânzei.
- f) Pârghiile de blocare pentru adâncimea pânzei și ajustarea înclinării trebuie să fie strânse și fixate înaintea efectuării tăieturii.** Dacă dispozitivul de reglare a pânzei alunecă în timpul tăierii, ar putea cauza prinderea și reculul.
- g) Acordați o atenție sporită atunci când ferăstrui în pereții existenți sau în alte zone mascate.** Pânza poate tăia obiecte, rezultând un reculul.

INSTRUCȚIUNI DE SIGURANȚĂ PENTRU FERĂSTRAIE (FERĂSTRĂU CIRCULAR CU APĂRĂTOARE INFERIOARĂ PIVOTANTĂ)

Funcția apărătorii inferioare

- a. Verificați dacă dispozitivul de protecție inferior este închis corect înainte de fiecare utilizare. Nu acționați ferăstrăul dacă dispozitivul de protecție inferior nu se mișcă liber și nu se închide instantaneu. Nu fixați sau strângeți niciodată dispozitivul de protecție inferior în poziția deschis.**

Dacă ferăstrăul este scăpat accidental, dispozitivul de protecție inferior se poate îndoi. Ridicați dispozitivul de protecție inferior cu mânerul retractabil și asigurați-vă că se mișcă liber și nu atinge lamasau altă piesă, în niciun unghi și la nicio adâncime de tăiere.

- b. Verificați funcționarea arcului dispozitivului de protecție inferior. Dacă dispozitivul de protecție și arcul nu funcționează corect, acestea trebuie depanate înainte de utilizare.**

Dispozitivul de protecție inferior poate funcționa lent datorită pieselor deteriorate, depunerilor lipicioase sau acumulării rămășițelor.

- c. Dispozitivul de protecție inferior trebuie retractat manual numai pentru tăieturi speciale, cum sunt “tăieturile transversale” și “tăieturile combinate”. Ridicați dispozitivul de protecție inferior de mânerul retractabil, iar imediat ce lama pătrunde în material, dispozitivul de protecție inferior trebuie eliberat.**

Pentru toate celelalte tipuri de tăiere, dispozitivul de protecție inferior trebuie acționat automat.

- d. Asigurați-vă întotdeauna că dispozitivul de protecție inferior acoperă lama înainte de așezarea ferăstrăului pe masă sau podea.**

Lama neprotejată, cu mers din inerție va cauza mersul înapoi al ferăstrăului, tăind orice întâlnește în cale. Fiți conștient de timpul necesar lamei pentru oprire după eliberarea întrerupătorului.

REGULI SUPLIMENTARE PRIVIND SIGURANȚA PENTRU FERĂSTRĂUL CIRCULAR

1. Purtați întotdeauna o mască de protecție contra prafului, protecție auditivă și protecție pentru ochi.
2. Utilizați doar pânze de ferăstrău recomandate în specificație.
3. Utilizați doar pânze cu diametre conforme cu marcajele.

AVERTISMENTE SUPLIMENTARE PRIVIND SIGURANȚA PENTRU MASINA DE DEBITAT

a) Pentru o siguranță maximă, garda de protecție furnizată împreună cu unealta electrică trebuie atașată și poziționată ferm pe aceasta, astfel încât operatorul să fie expus la cât mai puțin la discuri. Atât dumneavoastră, cât și privitorii, poziționați-vă departe de planul discului aflat în rotație. Discurile care nu au fost concepute pentru unealta electrică nu pot fi protejate corespunzător și nu sunt sigure.

b) Utilizați pentru unealta dumneavoastră electrică numai discuri de diamant pentru retezat. Faptul că accesoriul se potrivește la unealta electrică nu garantează și funcționarea în siguranță.

c) Viteza de funcționare a accesoriului trebuie să fie cel puțin egală cu viteza maximă marcată pe unealta electrică. Accesoriile care funcționează la o viteză mai mare decât cea prevăzută se pot desprinde în bucăți.

d) Discurile se vor utiliza exclusiv pentru operațiunile recomandate. De exemplu: nu polizați cu partea laterală a discului pentru debavurare. Discurile abrazive pentru debavurare sunt destinate polizării marginilor, iar forțele laterale aplicate acestor discuri pot produce spargerea în bucăți.

e) Utilizați întotdeauna pentru discuri flanșe nedeteriorate de dimensiuni și forme adecvate pentru discul ales. Flanșele corecte susțin discul reducând posibilitatea spargerii discului.

f) Nu utilizați discuri uzate de la unelte electrice mai mari. Discurile destinate uneltelor electrice de dimensiuni mai mari nu sunt adecvate pentru viteza mai mare a uneltelor electrice mai mici și se pot sparge.

g) Diametrul exterior și grosimea accesoriului trebuie să se încadreze

în capacitatea prevăzută pentru unealta electrică. Accesoriile de dimensiuni incorecte nu pot fi protejate sau controlate în mod corespunzător.

h) Dimensiunea arborelui discurilor abrazive și flanșele trebuie să se potrivească corect cu axul sculei electrice. Discurile și flanșele, care nu se potrivesc exact pe arborele de polizat al sculei dumneavoastră, electrice se rotesc neuniform, vibrează foarte puternic și pot conduce la pierderea controlului asupra sculei.

i) Nu utilizați discuri deteriorate. Înainte de fiecare utilizare, asigurați-vă că discurile nu sunt ciobite sau crăpate. Dacă scula electrică sau discul este scăpat pe jos, verificați dacă nu s-a deteriorat sau montați un alt disc nedeteriorat. După verificarea și montarea discului, atât dumneavoastră, cât și privitorii îndepărtați-vă de planul de rotație a discului și lăsați scula electrică să funcționeze un minut la turația nominală. De cele mai multe ori, un disc deteriorat se sparge în această perioadă de probă.

j) Purtați echipament de protecție individual. În funcție de scopul utilizării, utilizați mască pentru figură și ochelari de protecție. În mod corespunzător, purtați mască pentru praf, antifoane, mănuși, șorț de atelier ce poate opri fragmentele mici abrazive sau ale piesei prelucrate. Protecția pentru ochi trebuie să poată opri particulele ce sar în urma diferitelor operațiuni. Masca pentru praf sau aparatul pentru respirat trebuie să poată filtra particulele rezultate din activitatea dvs. Expunerea îndelungată la zgomot de intensitate ridicată poate duce la pierderea auzului.

k) Persoanele din jur se vor situa la o distanță de siguranță față de zona de lucru. Oricine pătrunde în zona de lucru va purta echipamentul individual de protecție. Fragmente din piesa de prelucrat sau din discurile sparte pot fi proiectate în aer și pot să provoace răni chiar în afara zonei de lucru imediate.

l) Țineți unealta electrică numai de suprafața izolată de prindere atunci când efectuați o operațiune la care accesoriul de debitare poate intra în contact cu circuite electrice ascunse sau cu cablul propriu de alimentare.

Accesoriul de debitare care intră în contact cu un cablu sub tensiune poate descoperi părțile metalice ale acestuia și poate provoca electrocutarea operatorului.

m) Amplasați cablul de alimentare departe de accesoriul rotitor.

Dacă pierdeți controlul asupra sculei, cablul de alimentare poate fi tăiat sau prins, iar mâna sau brațul dumneavoastră poate fi tras sub dispozitivul de lucru aflat în rotație.

n) Nu așezați niciodată unealta electrică până când accesoriul nu s-a oprit complet.

Discul aflat în rotație poate ajunge în contact cu suprafața de sprijin și puteți pierde controlul asupra sculei electrice.

o) Nu puneți unealta electrică în funcțiune atunci când vă deplasați.

Contactul accidental cu accesoriul rotitor vă poate agăța hainele, împingând accesoriul spre corp.

p) Curățați regulat fantele de aerisire ale uneltei electrice.

Ventilatorul motorului va absorbi praful în carcasă iar acumularea excesivă de pilitură poate duce la defecțiuni electrice.

q) Nu puneți unealta electrică în funcțiune lângă materiale inflamabile.

Scânteile pot aprinde aceste materiale.

r) Nu utilizați accesorii care necesită lichide de răcire.

Utilizarea apei sau a altor lichide de răcire poate provoca electrocutări sau șocuri electrice.

Recul și alte avertismente similare

Recul este o reacție bruscă la un disc rotativ agățat sau prins. Agățarea sau prinderea cauzează blocarea rapidă a discului rotativ, iar acesta, la rândul său, va duce la pierderea controlului uneltei electrice și forțarea acesteia în direcția opusă rotației discului.

De exemplu, dacă un disc abraziv se blochează sau se agață în piesa prelucrată, marginea discului care ajunge în punctul de gripare poate înainta în suprafața materialului provocând ridicarea sau

sărirea discului. Discul poate sări spre operator sau în partea opusă acestuia, în funcție de direcția de deplasare a discului în momentul gripării. De asemenea, discurile abrazive se pot rupe în aceste condiții.

Recul este rezultatul întrebuițării greșite și/sau a procedurilor sau condițiilor incorecte de funcționare și se poate evita prin luarea unor măsuri adecvate ca mai jos.

a) Țineți strâns unealta electrică și plasați-vă corpul și mâinile pentru a putea face față forțelor de recul. Utilizați întotdeauna mânerul auxiliar, dacă este furnizat, pentru un control maxim asupra reacției de recul sau a cuplului de torsiune în timpul pornirii.

Operatorul poate controla reacțiile la torsiune sau forțele de recul dacă se iau măsurile adecvate.

b) Nu puneți niciodată mâna lângă accesoriul rotativ.

Din cauza reculului accesoriul vă poate atinge mâna.

c) Nu vă poziționați corpul în linie cu discul aflat în rotație.

Reculul va propulsa unealta în direcția opusă mișcării discului în momentul blocării.

d) Acordați atenție specială la prelucrarea colțurilor, marginilor tăioase, etc., evitați împingerea spre înapoi sau agățarea accesoriului.

Colțurile, muchiile tăioase sau instabile au tendința de a agăța accesoriul rotativ ducând la pierderea controlului sau recul.

e) Nu atașați un lanț de ferăstrău, o pânză pentru scobirea lemnului, un disc de diamant segmentat cu un spațiu periferic mai mare de 10 mm sau o pânză de ferăstrău dințată.

Aceste lame produc frecvent reculuri și pierderi ale controlului.

f) Nu „întepeniți” discul și nici nu aplicați o presiune excesivă. Nu încercați să tăiați în exces în profunzime.

Suprasolicitarea discului mărește sarcina și riscul de a răsuci sau bloca discul în tăietură și mărește posibilitatea reculului sau spargerii discului.

g) La blocarea sau întreruperea din orice cauză a unei debitări, deconectați unealta electrică și țineți-o ridicată și

nemișcată până la oprirea completă a discului. Nu încercați niciodată să extrageți discul de tăiere din tăietură, altfel se poate produce un recul.

Cercetați și luați măsurile necesare pentru eliminarea cauzei blocării discului.

h) Nu reîncepeți operațiunea de debitare în interiorul piesei prelucrate. Lăsați discul să ajungă la viteza maximă și apoi pătrundeți din nou în canalul de debitare cu atenție. Discul se poate bloca, poate sări sau poate provoca un recul dacă unealta electrică este repornită în interiorul piesei prelucrate.

i) Sprijiniți panourile sau orice altă piesă de dimensiuni mari pentru a micșora riscul gripării și reculului. Piese de prelucrat mari au tendința de a se îndoi sub propria greutate. Suporturile vor fi plasate sub piesa de prelucrat lângă linia de tăiere și lângă marginea piesei de ambele părți ale discului.

j) Acordați o atenție sporită execuției „tăieturilor tip buzunar” în pereți existenți sau în alte spații fără vizibilitate. Discul care pătrunde poate tăia țevi de gaz sau apă, cabluri electrice sau obiecte care pot provoca recul.

REGULI SUPLIMENTARE PRIVIND SIGURANȚA

1. Purtați întotdeauna o mască de protecție contra prafului.

AVERTISMENTE GENERALE PRIVIND SIGURANȚA PENTRU APARATUL DUMNEAVOASTRĂ CU LASER

 **AVERTISMENT: Citiți toate instrucțiunile și avertismentele privind siguranța.** Nerespectarea avertismentelor și instrucțiunilor poate cauza răni grave.
Păstrați toate avertismentele și

instrucțiunile pentru consultări ulterioare. Aceste lasere nu prezintă în mod normal un pericol optic, deși privitul direct în fascicul poate cauza orbirea temporară. Nu priviți direct în fasciculul laser. Poate exista un pericol dacă priviți în direct în fascicul; respectați toate regulile privind siguranța astfel:

- 1. Laserul va fi utilizat și întreținut în conformitate cu instrucțiunile producătorului.**
- 2. Nu îndreptați niciodată fasciculul spre o persoană sau un alt obiect în afară de piesa de prelucrat.**
- 3. Fasciculul laser nu trebuie îndreptat intenționat spre o altă persoană și nu se va permite îndreptarea directă a acestuia spre ochii unei persoane pentru un timp mai mare de 0,25 secunde.**
- 4. Asigurați-vă întotdeauna că fasciculul laser este îndreptat spre o piesă de lucru robustă fără suprafețe reflectorizante, de exemplu, lemnul sau suprafețele cu înveliș dur sunt acceptate.** Tabla de oțel reflectorizantă lucioasă și deschisă la culoare, sau alte materiale similare, nu este potrivită pentru aplicațiile laser deoarece suprafața reflectorizantă poate direcționa fasciculul laser înapoi către operator.
- 5. Nu înlocuiți dispozitivul laser cu un tip diferit.** Producătorul sau un agent autorizat trebuie să efectueze reparațiile.
- 6. ATENȚIE:** Utilizarea altor comenzi sau ajustări decât cele specificate în prezentul manual poate cauza expunerea la radiații periculoase.








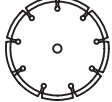
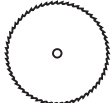

AVERTISMENTE SUPLIMENTARE PRIVIND SIGURANȚA PENTRU LASERUL DE CLASĂ 2

Dispozitivul laser prevăzut pe această unealtă este de clasa 2, cu o emisie maximă de radiații de 1.5mW și o lungime de undă de 650 nm.

RADIAȚII LASER DE CLASĂ 2, NU PRIVIȚI ÎNSPRE FASCICUL

SIMBOLURI

	Pentru a reduce riscul de accidentări, utilizatorul trebuie să citească manualul de instrucțiuni
	Izolație dublă
	Avertisment
	Purtați echipament de protecție pentru urechi
	Purtați echipament de protecție pentru ochi
	Purtați mască de protecție contra prafului
	Nu priviți înspre fascicul
	Radiații laser
	Produsele electrice nu trebuie depuse la deșeurile împreună cu gunoiul menajer. Vă rugăm să depuneți produsele electrice la unitățile de reciclare existente. Consultați-vă cu autoritățile locale sau cu distribuitorul pentru sfaturi privind reciclarea.
	Înainte de orice lucrări pe mașina propriu-zisă, scoateți cablul de alimentare din priză.
	Purtați mănuși de protecție

	Lemn
	Aluminiu
	Metal
	Încorect
	Corect
	Blocare
	Deblocare
	Disc diamant
	Pânză HSS
	Pânză TCT

INSTRUCȚIUNI DE UTILIZARE



NOTĂ: Înainte de a utiliza unealta, citiți cu atenție manualul de instrucțiuni.

DESTINAȚIA DE UTILIZARE:

Mașina este concepută pentru spintecarea și tăierea transversală a lemnului și altor materiale în linii drepte, sprijinindu-se ferm pe piesa de prelucrat.

ASAMBLARE ȘI OPERARE

Acțiune	Grafică
Asamblarea Și Îndepărtarea Pânzei Ferăstrăului	Consultați Fig. A
Înterupător De Pornire/Oprire De Siguranță	Consultați Fig. B
Tăiere Transversală Și Spintecări	Consultați Fig. C1, C2
Utilizarea Funcției De Fascicul Laser	Consultați Fig. D1, D2
Pentru A Înlouci Bateriile Laserului	Consultați Fig. E1-E3
Ghidaj Paralel	Consultați Fig. F1, F2
Reglarea Adâncimii De Tăiere	Consultați Fig. G1, G2
Reglarea Unghiului De Tăiere	Consultați Fig. H
Decuparea Prin Plonjare	Consultați Fig. I1, I2
Îndepărtarea Rumeșului	Consultați Fig. J

SFATURI PRIVIND LUCRUL CU UNEALTA

Dacă ferăstrăul dumneavoastră Versacut se încinge prea tare, operați ferăstrăul Versacut™ în gol timp de 2-3 minute pentru a răci motorul. Evitați utilizarea pe perioade îndelungate cu sarcini de tăiere solicitante.

Protejați pânzele ferăstrăului împotriva impactului și șocului. Alimentarea excesivă reduce semnificativ performanțele mașinii și durata de viață a pânzei ferăstrăului. Performanța și calitatea tăieturii depind în special de starea și numărul de dinți ai

pânzei ferăstrăului. Așadar, utilizați doar pânze de ferăstrău ascuțite potrivite pentru materialul prelucrat.

Alegerea pânzelor: 24 de dinți pentru operații generale, aproximativ 40 de dinți pentru tăieturi mai fine, peste 40 de dinți pentru tăieturi foarte fine pe suprafețe delicate, diamant pentru plăci de ceramică, plăci de ciment etc.

Folosiți numai pânzele de ferăstrău recomandate.

ÎNTREȚINEȚI UNELTELE CU GRIJĂ

Scoateți ștecherul din priza de alimentare înainte de a efectua orice ajustări, operațiuni de service sau întreținere.

Păstrați uneltele ascuțite și curate pentru o funcționare mai bună și mai sigură. Urmați instrucțiunile pentru ungerea și schimbarea accesoriilor. Verificați periodic cablurile uneltei și, dacă sunt deteriorate, dispuneți repararea acestora în cadrul unui atelier de service autorizat. Unealta dumneavoastră electrică nu necesită lubrifiere sau întreținere suplimentară. Interiorul uneltei electrice nu conține piese care pot fi depanate de către utilizator. Nu utilizați niciodată apă sau agenți chimici de curățare pentru curățarea uneltei electrice. Ștergeți unealta cu o cârpă uscată. Depozitați întotdeauna unealta într-un loc uscat. Mențineți fantele de aerisire a motorului curate. Feriți de praf toate comenzile de lucru. În cazul în care cablul de alimentare este deteriorat, acesta trebuie înlocuit de către producător, agentul său de service sau persoane cu calificare similară, pentru a evita orice pericol. Ștergeți periodic praful și așchiile de pe apărătoare și bază pentru a garanta o performanță adecvată.

PROTECȚIA MEDIULUI



Produsele electrice nu trebuie depuse la deșeurile împreună cu gunoierul menajer.

— Vă rugăm să depuneți produsele electrice la unitățile de reciclare existente. Consultați-vă cu autoritățile locale sau cu distribuitorul pentru sfaturi privind reciclarea..

DEPANAREA

Simptom	Cauze posibile	Soluție posibilă
Unealta nu va porni când operați comutatorul de pornire/oprire.	Cablul de alimentare nu este conectat la priză. Cablul de alimentare este rupt. Peria de cărbune s-a uzat	Verificați pentru a vă asigura că ați conectat bine cablul la o priză. Deconectați cablul de alimentare. Înlocuiți-l cu ajutorul unei persoane calificate. Înlocuiți peria de cărbune cu ajutorul unei persoane calificate.
Adâncimea de tăiere este mai mică decât cea setată.	Rumeguș acumulat în partea posterioară a bazei.	Scuturați rumegușul. Luați în considerare conectarea unui aspirator pentru colectarea prafului.
Pânza se învârte sau alunecă	Pânza nu este bine fixată pe ax.	Îndepărtați pânza și montați-o din nou conform descrierii din secțiunea INSTALAREA/ÎNLOCUIREA PÂNZEI
Pânza nu taie în linie dreaptă.	Pânza este tocită. Pânza nu este montată corespunzător. Ferăstrăul nu este ghidat corespunzător.	Montați o pânză nouă, ascuțită pe ferăstrău. Verificați dacă pânza este montată corespunzător. Utilizați un ghidaj paralel.
Pânza are recul când este începută o tăietură	Pânza nu se învârte suficient de repede	Așteptați până când pânza atinge turația maximă înainte de a începe să tăiați

DECLARAȚIE DE CONFORMITATE

Subsemnații,
POSITEC Germany GmbH
Konrad-Adenauer-Ufer 37
50668 Köln

Declarăm că produsul,
Descriere **Ferăstrău circular electric
WORX**
Tip **WX427 (4-denumire mașină,
reprezentând ferăstrăul)**
Funcție **Tăierea unor diferite materiale cu
o pânză rotativă cu dinți**

Respectă următoarele Directive:
2006/42/EC
2004/108/EC
2011/65/EU

Se conformează standardelor:

EN 55014-1
EN 55014-2
EN 61000-3-2
EN 61000-3-3
EN 60745-1
EN 60745-2-5
EN 60745-2-22

Persoana responsabilă pentru elaborarea fișei
tehnice,
Nume Russell Nicholson
Adresa Positec Power Tools (Europe)
Ltd, PO Box 152, Leeds, LS10 9DS, UK


Suzhou 2015/01/21
Allen Ding
Adjunct Inginer șef, Testare și certificare

-
1. **UVOLŇOVACÍ SPÍNAČ**
 2. **DRŽADLO S MĚKKÝM ÚCHOPEM**
 3. **IMBUSOVÝ KLÍČ**
 4. **VYPÍNAČ**
 5. **TLAČÍTKO BLOKOVÁNÍ VŘETENĚ**
 6. **DOLNÍ CHRÁNIČ KOTOUČE**
 7. **PÁČKA DOLNÍHO CHRÁNIČE**
 8. **PEVNÝ HORNÍ CHRÁNIČ**
 9. **VÝSTUP ODSÁVÁNÍ PRACHU**
 10. **ADAPTÉR PRO VYSAVAČ**
 11. **PÁKA PRO NASTAVENÍ HLOUBKY**
 12. **ZÁKLADNÍ DESKA**
 13. **ŘEZNÝ KOTOUČ (Viz Obr. A)**
 14. **IVNITŘNÍ PŘÍRUBA (Viz Obr. A)**
 15. **ŠROUB ŘEZNÉHO KOTOUČE (Viz Obr. A)**
 16. **PODÉLNÉ VODÍTKO**
 17. **UCHYCENÍ ROVNOBĚŽNÉHO VODÍTKA**
 18. **PÁČKA PRO NASTAVENÍ POKOSU**
 19. **VNĚJŠÍ PŘÍRUBA (Viz Obr. A)**
 20. **LASER**
 21. **VYPÍNAČ LASERU**
 22. **BATERIE LASERU (Dvě) (Viz Obr. E2)**
 23. **INDIKÁTOR ZAROVNÁNÍ KOTOUČE**
-

Standardní dodávka nemusí obsahovat všechno zobrazené či popsané příslušenství.

TECHNICKÉ ÚDAJE

Typ **WX427 (4 - označení stroje, zástupce pily)**

Jmenovité napětí		230-240V ~ 50Hz
Jmenovitý příkon		710W
Jmenovité otáčky na prázdno		3700/min
Velikost kotouče	Kotouč TCT	120mmx1.2mmx9.5mmx24T
	Kotouč HSS	115mmx1.2mmx9.5mmx60T
	Diamantový kotouč	115mmx1.6mmx9.5mmx60G
Řezná kapacita	Hloubka řezu 90°	46mm
	Hloubka řezu 45°	30mm
Velikost vřetene		9.5mm
Doporučená maximální tloušťka materiálu	Dřevo	46mm
	Hliník	2.5mm
	PVC potrubí(Průměr)	46mm
	Dlaždice	12mm
	Ocelový plech	0.5mm
Vřeteno velikost závitu		M5
Tloušťka kotouče	Kotouč TCT	0.8mm
	Kotouč HSS	0.65mm
	Diamantový kotouč	1mm
Č. modelu baterie laseru		LR44 1.5V
Třída ochrany		
Hmotnost		2.3kg

128

INFORMACE TÝKAJÍCÍ SE HLUČNOSTI

Naměřený akustický tlak	L_{pA} : 76dB(A)
Naměřený akustický výkon	L_{wA} : 87dB(A)
K_{pA} & K_{wA}	3.0dB(A)


Používejte ochranu sluchu

VIBRATION INFORMATION

Celkové hodnoty vibrací (trojosé nebo vektorové součtové měření) stanovené v souladu s EN 60745:


Hodnota vibračních emisí:	Řezání dřeva: $a_{h,W} = 6.82\text{m/s}^2$
	Kolísání K = 1.5m/s^2
	Řezání kovu: $a_{h,M} = 5.63\text{m/s}^2$
	Kolísání K = 1.5m/s^2
	Řezání dlaždice: $a_h = 6.91\text{m/s}^2$
	Kolísání K = 1.5m/s^2

Deklarovaná celková hodnota vibrací může být použita pro vzájemné srovnání jednotlivých nářadí a rovněž může být použita k předběžnému stanovení doby práce.

 **VÝSTRAHA:** Hodnota vibračních emisí během praktického používání tohoto elektrického nástroje se může lišit od deklarované hodnoty v závislosti na způsobech, jakými je nástroj používán vzhledem k následujícím podmínkám a dalším možnostem použití nástroje: způsob, jakým je nástroj používán, a povaha narušovaných nebo vrтанých materiálů. dobrý stav nástroje a řádné provádění jeho údržby používání správného příslušenství s nástrojem, ostrost a dobrý stav příslušenství. utažení úchopu na rukojetích a použití antivibračního příslušenství. používání nástroje k účelům určených konstrukcí a v souladu s těmito pokyny.

Při neřízeném používání může tento nástroj způsobit syndrom vibrací rukou a paží.

129

 **VÝSTRAHA:** Je třeba upřesnit: že v odhadu úrovně vystavení při praktickém používání je nutno rovněž zohlednit všechny fáze pracovního cyklu, například dobu, kdy je nástroj vypnutý a kdy běží naprázdno, ale nevykonává práci. To může podstatně snížit úroveň vystavení nebezpečí v rámci celkového pracovního času.

Zásady pro omezení nebezpečí vystavení vibracím:

VŽDY používejte ostré trny, vrtáky a čepele

Provádějte údržbu tohoto nástroje, v souladu s těmito pokyny udržujte nástroj dobře promazaný (odpovídajícím způsobem)

Má-li být tento nástroj používán pravidelně, zakupte antivibrační příslušenství.

Nepoužívejte nástroje při teplotě 10 stupňů C nebo nižší.


Naplánujte práci tak, aby bylo provádění úkolů, které vyžadují silné vibrace nástroje, rozloženo do několika dní

PŘÍSLUŠENSTVÍ

Kotouč TCT: 24T na dřevo (WA5046)	1
HSS Blade: 60T na tenký ocelový a hliníkový plech, PVC trubky, plasty (WA5047)	1
Diamantový kotouč: 60G na beton, mramor, dlaždice, zděnou stěnu (WA5048)	1
Podélné vodítko	1
Adaptér pro vysavač	1
Imbusový klíč	1

Doporučujeme zakoupit příslušenství u stejného prodejce, u kterého jste koupili nářadí. Používejte kvalitní příslušenství označené všeobecně známým značkovým jménem. Vyberte si typ podle toho, jakou práci hodláte vykonávat. Pro další detaily prostudujte obal příslušenství. Personál obchodu vám může pomoci a poradit.

BEZPEČNOSTNÍ UPOZORNĚNÍ PRO VŠECHNY PILY

- a.  **BEZPEČNOST. Udržujte ruce v dostatečné vzdálenosti od řezacího prostoru a kotouče.** Pokud oběma rukama držíte pilu, nemůžete se pořezat o kotouč.
- b. **Nesahejte pod řezaný materiál.** Ochranný kryt vás neochrání před kotoučem pod řezaným materiálem.
- c. **Přizpůsobte hloubku řezu tloušťce pracovního dílu.** Pod pracovní plochou by měla být viditelná menší než celá výška zubů.
- d. **Nikdy nedržte řezaný kus v ruku nebo položený přes nohu. Upevněte řezaný materiál ke stabilní podložce.** Je důležité upevnit řezaný materiál důkladně, aby se minimalizovala možnost zranění, zaseknutí kotouče, nebo ztráty kontroly.
- e. **Držte ruční elektrické nářadí za odizolované povrchy při práci v podmínkách, kde je možné, že se řezací nástroj dostane do kontaktu se skrytou elektrickou sítí nebo vlastním kabelem.** Kontakt s vodičem pod napětím, může způsobit, že odhalené kovové části elektrického ručního nářadí budou pod napětím a můžou elektrickým šokem zasáhnout uživatele.
- f. **Při rozřezávání vždy používejte vodící lištu nebo rovný příložník.** Vylepšuje to přesnost řezu a redukuje možnost deformace kotouče.
- g. **Vždy používejte kotouče správné velikosti a tvaru (kosočtvercový versus kruhový) upínacích otvorů.** Kotouče, jejichž upínací otvory nepasují s otvory pily, při práci kmitají a způsobují ztrátu kontroly nad nářadím.
- h. **Nikdy nepoužívejte poškozenou nebo nesprávnou přírubu kotouče nebo šroubu.** Příruby a upínací šroub jsou speciálně navrženy pro vaši pilu, pro optimální pracovní výkon a bezpečnost práce.

DALŠÍ BEZPEČNOSTNÍ POKYNY PRO VŠECHNY PILY

Ochrana uživatele před zpětným rázem:

- Zpětný ráz je neočekávaná náhlá reakce na odštípnutí, zaseknutí nebo vychýlení řezacího kotouče, které způsobí nekontrolované zvednutí pily z pracovní plochy směrem k uživateli.
- Pokud je kotouč přiskřípnut nebo pevně sevřen v ukončení zářezu, kotouč uvízne a výkon motoru vymrští nářadí dozadu směrem k uživateli.
- Pokud se kotouč zkroutí nebo se vychýlí v řezu, zuby zadní strany kotouče se mohou zabořit do povrchu dřeva a způsobit, že kotouč vyjede ze zářezu a vyskočí zpět směrem k uživateli.

Zpětný ráz je výsledkem špatných pracovních postupů a podmínek, můžete se mu vyhnout preventivními kroky viz. níže

- a. **Pilu držte pevně tak, abyste odolali silám zpětného rázu. Postavte se tělem na jednu nebo druhou stranu kotouče nikdy nestůjte v jedné linii s kotoučem.** Zpětný ráz může způsobit, že kotouč vyskočí směrem zpátky. Síly zpětných rázů mohou být kontrolovány uživatelem, pokud jsou podniknuty náležitě preventivní kroky.
- b. **Pokud se kotouč zasekne, nebo přeruší řez z jakýchkoli důvodů, uvolněte prepínač a držte pilu bez pohybu v materiálu, dokud se nezastaví. Nikdy se nepokoušejte vytáhnout pilu z řezu nebo tlačit kotouč zpětně zatímco je v záběru, vzniká tak nebezpečí zpětného rázu.** Dbejte zvýšené opatrnosti a dodržujte správný postup řezání, abyste eliminovali důvod zaseknutí kotouče.
- c. **Při spouštění pily v řezu, dejte kotouč doprostřed řezu a zkontrolujte jestli zuby pily nejsou ve styku s materiálem.** Pokud se kotouč zasekne, může vyjet ven, nebo zpětně vyskočit z řezaného materiálu, při spuštění pily.
- d. **Podložte velké kusy materiálu tak,**

aby nedocházelo k sevření kotouče a k zpětnému rázu. Velké kusy materiálu mají tendenci se prohýbat vlastní vahou. Podpěry musí být umístěny na obou stranách, blízko linie řezu a blízko okraje materiálu.

- e. Nepoužívejte otupené nebo poškozené kotouče.** Nenaostřené nebo nesprávně nainstalované kotouče provádějí úzký řez vytvářející nadměrné tření a zvyšuje se tak riziko zaseknutí kotouče a zpětného rázu.
- f. Hloubka řezu a nastavení sklonu kotouče, musí být pevně zaaretována příslušnými páčkami a dříve než začnete samotný řez.** Nikdy nenastavujte úhel a hloubku řezu, máte-li pilu připojenou k el. síti. Hrozí nebezpečí náhodného sepnutí a následného zranění. Pokud se nastavení kotouče posune během řezu, může zapříčinit zaseknutí a zpětný ráz.
- g. Před vedením řezu se vždy přesvědčte, že v jeho dráze nebrání žádná překážka.** Vystupující kotouč může přežezat předměty, které mohou způsobit zpětný ráz (např. hřebíky, vruty apod.)

spodního ochranného krytu. Pokud ochrana a pružina nefungují správně, musí být před použitím opraveny.

Spodní ochranný kryt může pracovat pomalu kvůli poškozeným částem, lepivým usazeninám nebo usazeným pilinám a odpadu.

- c. Spodní kryt může být vysunutý manuálně pouze pro speciální řezy jako například vybrané a složené řezy. Zvedněte spodní ochranný kryt stahovací rukojetí, ve chvíli, kdy se kotouč zařizne do materiálu, a kryt uvolněte. Tuto práci smí provádět pouze zkušená obsluha z důvodů bezpečnosti a ochrany zdraví uživatele.** Primárně je pila konstruována pro použití s automatickou funkcí spodního ochranného krytu. Pokud obsluha otevře kryt kotouče manuálně, přebírá zodpovědnost za možné následky.
- d. Před odložením pily na podlahu vždy zkontrolujte, jestli spodní ochranný kryt zakrývá kotouč.** Nechráněný kotouč běžící setrvačností může způsobit zpětný ráz pily a řezání do všeho, co je v jeho okolí. Při práci počítejte s dobou doběhu kotouče po vypnutí prepínače.

BEZPEČNOSTNÍ POKYNY PRO PILY (KOTOUČOVÁ PILA S OTOČNÝM DOLNÍM CHRÁNIČEM)

Funkce dolního chrániče

- a. Zkontrolujte správné uzavření spodního ochranného krytu před každým použitím. Nepracujte s pilou, pokud se spodní ochranný kryt nepohybuje volně a neuzavírá se okamžitě. Nikdy nezaklapujte nebo nesvazujte spodní ochranu do otevřené pozice.** Pokud pilu náhodou upustíte, spodní ochrana se může ohnout. Zvedněte spodní ochranný kryt stahovací rukojetí a ujistěte se, že se pohybuje volně a nedotýká se kotouče nebo žádných jiných částí.
- b. Zkontrolujte funkčnost pružiny**

ZVLÁŠTNÍ BEZPEČNOSTNÍ UPOZORNĚNÍ PRO OKRUŽNÍ PILU

1. Vždy noste respirátor, ochranné pomůcky sluchu a zraku.
2. Používejte jenom řezné kotouče s doporučenými parametry a stejnou konstrukcí jako originální pilový kotouč.
3. Používejte pouze průměry kotoučů podle označení.

ZVLÁŠTNÍ BEZPEČNOSTNÍ UPOZORNĚNÍ PRO VÝSTŘÍŽEK STROJ

- a) **Ochranný prostředek, který je k dispozici u nástroje, musí být k tomuto elektrickému nářadí pevně připojen a umístěn s ohledem na maximální bezpečnost, a to tak, aby směrem k obsluhujícímu pracovníkovi směřovala co nejmenší část kotouče. Vy sám i osoby stojící okolo se držte v dostatečné vzdálenosti od roviny rotujícího kotouče.** Kotouče, které nejsou určeny pro Vaše nářadí se nedají přiměřeně chránit a jsou nebezpečné.
- b) **S tímto elektrickým nástrojem používejte pouze diamantové řezací kotouče.** Možnost namontovat na nářadí příslušenství neznamena, že daná kombinace bude fungovat bezpečně.
- c) **Jmenovité otáčky příslušenství se musí rovnat nebo být vyšší než jmenovité otáčky vyznačené na nářadí.** Příslušenství používané při vyšších než doporučených otáčkách může způsobit zranění osob nebo poškození nářadí.
- d) **Kotouče používejte jen pro doporučené typy prací. Nepoužívejte boční stranu řezného kotouče na broušení.** Kotouče pro abrazivní řezání jsou určeny pro zátěž na hraně, boční tlak může způsobit jejich roztrhnutí.
- e) **Používejte jen nepoškozené příruby správné velikosti a tvaru, vhodné pro Váš kotouč.** Správné příruby drží kotouč a snižují riziko jeho prasknutí.
- f) **Nepoužívejte opotřebené kotouče z většího nářadí.** Kotouče určené pro větší typy nářadí se nehodí pro vyšší otáčky menšího nářadí a mohou se roztrhnout.
- g) **Rozměry příslušenství musí vyhovovat parametrům nářadí.** Příslušenství nesprávných rozměrů nelze přiměřeně chránit ani ovládat.
- h) **Brusné kotouče a příruby musejí přesně lícovat s brusným vřetenem vašeho elektrického nástroje.** Brusné kotouče a příruby, které přesně nelícují na brusné vřeteno vašeho elektronářadí, se nerovnoměrně točí, velmi silně vibrují a mohou vést ke ztrátě kontroly.
- i) **Nepoužívejte poškozené kotouče. Před každým použitím zkontrolujte, zda na kotoučích nejsou úlomky a trhliny. Spadne-li elektronářadí nebo brusný kotouč z výšky, zkontrolujte zda není poškozený nebo použijte nepoškozený brusný kotouč. Pokud jste brusný kotouč zkontrolovali a nasadili, držte se Vy a v blízkosti nacházející se osoby mimo rovinu rotujícího brusného kotouče a nechte elektronářadí běžet jednu minutu s nejvyššími otáčkami.** Poškozené brusné kotouče většinou v této době testování prasknou.
- j) **Použijte osobní ochranné pomůcky. Podle typu práce používejte ochranný štít, ochranné brýle (s boční ochranou nebo bez ní). Podle potřeby použijte protiprachovou masku, chrániče sluchu, rukavice a zástěru, schopnou zastavit malé kousky brusiva a materiálu.** Ochrana očí musí být schopna zadržet odlétávající úlomky. Protiprachová maska nebo respirátor musí zachytit částice vzniklé při práci s nářadím. Delší pobyt v hluku může poškodit sluch.
- k) **Přihlízející osoby musí být v bezpečné vzdálenosti. Osoby vstupující na pracoviště musí používat osobní ochranné prostředky.** Úlomky obrobku nebo zlomený brusný kotouč mohou odlétnout a způsobit poranění i mimo přímou pracovní oblast.
- l) **Držte ruční elektrické nářadí za odizolované povrchy při práci v podmínkách, kde je možné, že se řezací nástroj dostane do kontaktu se skrytou elektrickou sítí nebo vlastním kabelem.** Kontakt s vodičem pod napětím, může způsobit, že odhalené kovové části elektrického ručního nářadí budou pod napětím a můžou elektrickým šokem zasáhnout uživatele.
- m) **Napájecí kabel nesmí přijít do**

blízkosti otáčejícího se kotouče.

Když ztratíte kontrolu nad elektronářadím, může být přerušen nebo zachycen síťový kabel a Vaše paže nebo ruka se může dostat do otáčejícího se brusného kotouče.

- n) Brusku odložte až po úplném zastavení kotouče.** Otáčející kotouč brusný může dostat do kontaktu s odkládací plochou, čímž můžete ztratit kontrolu nad elektronářadím.
- o) Nespouštějte motor náradí během přenášení po straně těla.** Náhodný kontakt s otáčejícím se příslušenstvím může zachytit oděv a přitáhnout kotouč k tělu.
- p) Pravidelně čistěte větrací otvory náradí.** Větrák motoru vtahuje do pláště brusky prach a přílišné nahromadění práškového kovu může způsobit úraz elektrickým proudem.
- q) Brusku nepoužívejte v blízkosti hořlavých materiálů.** Odlétávající jiskry mohou materiál zapálit.
- r) Nepoužívejte příslušenství vyžadující kapalná chladicí média.** Použití chlazení vodou nebo jinou kapalinou může způsobit úraz elektrickým proudem.

Zpětný ráz a příslušná varování

Zpětný ráz je náhlá reakce sevřeného nebo zachyceného otáčejícího se kotouče. Sevření nebo zachycení způsobí rychlé zastavení otáčejícího se kotouče; v místě zachycení na nekontrolovaný elektrický nástroj naopak působí síla proti směru otáčení kotouče.

Je-li například kotouč zachycen v opracovávaném materiálu, hrana kotouče v místě zachycení se zařeže do materiálu a způsobí uvolnění nebo vyhození kotouče. Kotouč pak může buď vyskočit dopředu, nebo pryč od uživatele, v závislosti na směru otáčení kotouče v bodě zachycení. Brusné kotouče se za takových okolností mohou rozletět na kusy. Zpětný ráz je výsledkem špatných pracovních postupů a podmínek a můžete se mu vyhnout náležitými preventivními kroky tak, jak se uvádí níže.

- a) Náradí pevně uchopte a postavte se tak, abyste případnému vymrštění nástroje dokázali vzdorovat. Vždy, když je k dispozici, namontujte přídatnou rukojeť. Získáte tím**

maximální kontrolu nad vymrštěním náradí, nebo nad reakcí krouťícího momentu při započetí práce. Pokud je na to připraven, uživatel může na reakci na krouťící moment nebo zpětný ráz včas reagovat.

- b) Nikdy nepřibližujte ruce k otáčejícím se částem.** Náradí může být vymrštěno přes Vaše ruce.
- c) Nestůjte v ose otáčení kotouče.** Zpětný ráz vyhodí náradí směrem opačným k otáčení kotouče v bodě jeho zachycení.
- d) Buďte obzvláště opatrní při práci v rozích, okolo ostrých hran apod., náradí může být zachyceno nebo odhozeno.** Práce v rozích a na hranách a poskočení náradí mají tendenci zastavit rotaci kotouče a způsobit ztrátu kontroly nad náradím.
- e) Nepřipojujte řezací řetěz, frézu na dřevo, segmentovaný diamantový kotouč s obvodovou mezerou větší než 10mm ani řezací kotouč se zuby.** Tyto kotouče způsobují časté zpětné rázy a ztrátu kontroly.
- f) Zabraňte „zaseknutí“ kotouče ani nevyvíjejte na kotouč nadměrný tlak. Nepokoušejte se udělat příliš hluboký řez.** Velké síly působící na kotouč a náchylnost na zkroucení nebo zakousnutí v řezu zvyšují možnost zpětného rázu nebo roztrhnutí kotouče.
- g) Zasekne-li se kotouč, nebo je-li potřeba řezání z nějakého důvodu přerušit, uvolněte vypínač a držte pilu nehybně v materiálu, pokud se kotouč nezastaví. Nikdy se nepokoušejte ještě běžící dělicí kotouč vytáhnout z řezu, jinak může následovat zpětný ráz.** Přezkoumejte a udělejte opravné kroky, abyste minimalizovali důvod pro zaseknutí kotouče.
- h) V řezání nepokračuje, je-li kotouč v řezu. Nechte kotouč roztočit v pracovních otáčkách a poté jej opatrně opět vložte do řezu.** Kotouč v řezu se při zapnutí motoru může v řezu zaseknout, vyběhnout z řezu, nebo být vymrštěn ven.
- i) Velké desky nebo jiné rozměrné kusy materiálu podložte tak, abyste**

minimalizovali riziko sevření kotouče a jeho případné vymrštění. Velké kusy se mají tendenci prohýbat pod vlastní vahou. Podpěry musí být umístěny pod oběma stranami obrobku, blízko linie řezu a blízko okraje materiálu.

- j) Buďte zvláště obezřetní, když budete řezat do stojících zdí nebo jiných neznámých oblastí.** Přečnívajícím kotoučem může zařezat do potrubí plynového nebo vodovodního rozvodu, do elektrických rozvodů, nebo může při nárazu na překážky být z drážky vymrštěn.

ZVLÁŠTNÍ BEZPEČNOSTNÍ UPOZORNĚNÍ

1. Vždy noste respirátor.

OBEČNÁ BEZPEČNOSTNÍ UPOZORNĚNÍ OHLEDNĚ LASERU



VÝSTRAHA: Přečtěte si veškerá bezpečnostní upozornění a pokyny. Nedodržením upozornění a pokynů může dojít k vážnému zranění.

Veškerá upozornění a pokyny uschovejte pro budoucí použití.

Tyto lasery obvykle nepředstavují optické nebezpečí, ačkoli delší pohled do paprsku může způsobit momentální oslepnutí.

Nedívejte se přímo do laserového paprsku. Existuje nebezpečí v případě úmyslného pohledu do paprsku, a proto dodržujte veškeré následující bezpečnostní zásady:

1. Dodržujte pokyny výrobce pro používání a údržbu laseru.
2. Nikdy nemiřte paprskem na žádnou osobu ani jiný předmět, než na kterém pracujete.
3. Nemiřte laserovým paprskem záměrně na jinou osobu a zabraňte vystavení zraku déle než 0,25 sekundy.

4. **Zajistěte, aby laserový paprsek vždy směřoval na pevný zpracovávaný materiál bez odrazových ploch, například na dřevo nebo nelesklé povrchy.** Lesklý zrcadlový ocelový plech nebo podobné materiály nejsou vhodné pro použití laseru, protože zrcadlový povrch může odrazit laserový paprsek na uživatele.
5. **Nezaměňujte laserové zařízení za jiný typ.** Veškeré opravy smí provádět pouze výrobce nebo autorizovaný zástupce.
6. **POZOR:** V případě používání jiných ovládacích prvků nebo nastavení, která nejsou v této dokumentaci výslovně uvedena, může dojít k vystavení nebezpečnému záření.

DODATEČNÁ BEZPEČNOSTNÍ UPOZORNĚNÍ PRO LASER 2. TŘÍDY

Laserové zařízení použité u této pily patří do třídy 2 s maximálním vyzařovacím výkonem 1.5 mW při vlnové délce 650 nm.

LASEROVÉ ZAŘÍZENÍ TŘÍDY 2: NEDÍVEJTE SE DO SVAZKU.

SYMBOLY

	Aby se omezilo nebezpečí zranění, uživatel si musí přečíst návod k obsluze.
	Dvojitá izolace
	Varování
	Používejte ochranné pomůcky sluchu
	Používejte ochranné pomůcky zraku
	Používejte protiprachovou masku (respirátor)
	Nehleďte do paprsku
	Laserové záření
	Vysloužilé elektrické přístroje nevyhazujte společně s domovním odpadem. Nářadí recyklujte ve sběrnách k tomu účelu zřízených. O možnostech recyklace se informujte na místních úřadech nebo u prodejce.
	Před prováděním jakéhokoli servisu na samotném nástroji odpojte zástrčku napájecího kabelu z elektrické zásuvky.
	Používejte ochranné rukavice

	Dřevo
	Hliník
	Kov
	Nesprávně
	Správně
	Zamknout
	Odemknout
	Diamantový kotouč
	Kotouč HSS
	Kotouč TCT

136

NÁVOD NA POUŽITÍ



POZNÁMKA: Předtím než začnete nářadí používat, přečtěte si pečlivě manuál.

ÚČEL POUŽITÍ

Stroj je určen pro podélné a příčné dělení dřeva a jiných materiálů přímým řezem, přičemž je posouván po obrobku.

SESTAVENÍ A POUŽÍVÁNÍ

Postup	Obrázek
Nasazení a sejmutí řezacího kotouče	Viz Obr. A
Bezpečnostní Spínač Zapnuto/Vypnuto	Viz Obr. B
Podélné a příčné řezání	Viz Obr. C1, C2
Používání funkce laseru	Viz Obr. D1, D2
Pokyny Pro VýmĚNu Baterií Laseru	Viz Obr. E1-E3
Podélné Vodítko	Viz Obr. F1, F2
Nastavení hloubky řezu	Viz Obr. G1, G2
Nastavení úhlu řezu	Viz Obr. H
Kapsové Řezání	Viz Obr. I1, I2
Odstraňování Pilin	Viz Obr. J

TIPY PRO PRÁCI S NÁSTROJEM

Pokud se nástroj Versacut příliš zahřeje, nechte VersacutTM běžet bez zátěže po dobu 2 - 3 minut, aby se ochladil motor. Nedopustěte dlouhodobému používání při nadměrném zatížení.

Pilové kotouče chraňte před nárazem a pádem.

Nadměrné podávání značně snižuje výkon nástroje a zkracuje životnost řezného kotouče.

Řezací výkon a kvalita závisí především na stavu a počtu zubů kotouče. Z tohoto důvodu používejte pouze ostré pilové kotouče, které jsou vhodné pro používaný materiál.

Výběr kotoučů: 24 zubů pro běžnou práci, cca 40 zubů pro jemnější řezání, více než 40 zubů pro velmi jemné řezání jemných povrchů, diamant na obkládačky, cementotřískové desky atd.

Používejte pouze doporučené řezací kotouče.

PROVÁDĚJTE PEČLIVOU ÚDRŽBU NÁSTROJŮ

Předtím, než provedete jakékoliv úpravy nebo údržbu odpojte nářadí od el. sítě.

Udržujte nástroje ostré a čisté pro lepší a bezpečnější používání. Dodržujte pokyny pro mazání a výměnu příslušenství. Pravidelně kontrolujte kabely nářadí a v případě poškození je nechte opravit autorizovaným servisem. Tento elektrický nástroj nevyžaduje dodatečné mazání ani údržbu. Tento elektrický nástroj neobsahuje žádné součásti, které by si mohl uživatel opravit vlastními silami. Tento elektrický nástroj nikdy nečistěte vodou ani chemickými čističi. Otřete do sucha suchým hadříkem. Tento elektrický nástroj uchovávejte vždy na suchém místě. Udržujte větrací otvory motoru čisté. Odstraňujte prach ze všech funkčních ovládacích prvků.


Dojde-li k poškození napájecího kabelu, musí výměnu provést výrobce, jeho servisní zástupce nebo podobně kvalifikované osoby, aby se zabránilo ohrožení bezpečnosti osob.

Pro zajištění správného fungování pravidelně očistěte prach a piliny z chrániče a základny.

OCHRANA ŽIVOTNÍHO PROSTŘEDÍ

137



Vysloužilé elektrické přístroje nevyhazujte společně s domovním odpadem. Nářadí  recyklujte ve sběrnách k tomu účelu zřízených. O možnostech recyklace se informujte na místních úřadech nebo u prodejce.

ODSTRAŇOVÁNÍ ZÁVAD

Příznak	Možné příčiny	Možné řešení
Nástroj nelze zapnout vypínačem.	Není připojen napájecí kabel. Napájecí kabel je poškozen. Opotřebovaný uhlíkový kartáček	Zkontrolujte, zda je napájecí kabel řádně připojen k funkční elektrické zásuvce. Odpojte napájecí kabel. Požádejte o výměnu kvalifikovaného technika. Požádejte kvalifikovaného technika o výměnu uhlíkového kartáčku.
Hloubka řezu je menší než nastavená hloubka.	V zadní části základny se nashromáždily piliny.	Vyklepte piliny. Zvažte připojení vysavače pro odsávání pilin.
Kotouč se protáčí	Kotouč se nedotýká pevně vřetene.	Sejměte kotouč a znovu jej nasadte podle pokynů v části NASAZENÍ / VÝMĚNA KOTOUČE .
Kotouč neřeže rovně.	Kotouč je tupý. Kotouč není nasazen správně. Pila není držena správně.	Nasadte do pily nový a ostrý kotouč. Zkontrolujte, zda je kotouč řádně nasazen. Používejte rovnoběžné vodítk
Kotouč způsobuje zpětný ráz na začátku řezání	Kotouč se neotáčí dostatečně rychle	Než začnete řezat, nechte pilový kotouč zcela roztočit

PROHLÁŠENÍ O SHODĚ

My,
POSITEC Germany GmbH
Konrad-Adenauer-Ufer 37
50668 Köln

Prohlašujeme, že produkt,
Popis **WORX Elektrická okružní pila**
Typ **WX427(4-označení stroje, zástupce
pily)**
Funkce **Řezání různých materiálů
ozubeným řezacím kotoučem**

Splňuje následující směrnice:

2006/42/EC
2004/108/EC
2011/65/EU

Splňované normy:

EN 55014-1
EN 55014-2
EN 61000-3-2
EN 61000-3-3
EN 60745-1
EN 60745-2-5
EN 60745-2-22

139

Osoba oprávněná uspořádat technický soubor,
Název Russell Nicholson
Adresa Positec Power Tools (Europe)
Ltd, PO Box 152, Leeds, LS10 9DS, UK



Suzhou 2015/01/21
Allen Ding
Zástupce vrchní konstrukční kanceláře,
Testování & Certifikace

-
1. **BLOKOVACÍ/ODIŠŤOVACÍ SPÍNAČ**
 2. **MÄKKÄ RUKOVÄT**
 3. **ŠEŠŤHRANNÝ KLÚČ**
 4. **VYPÍNAČ**
 5. **TLAČIDLO ZÁMKU VRETENA**
 6. **SPODNÝ KRYT PÍLOVÉHO KOTÚČA**
 7. **PÁČKA SPODNÉHO KRYTU**
 8. **PEVNÝ HORNÝ KRYT**
 9. **OTVOR NA ODSÁVANIE PRACHU**
 10. **NÁSADEC NA ODSÁVACIE ZARIADENIE**
 11. **PÁKA NA NASTAVENIE HĽBKY**
 12. **ZÁKLADOVÁ DOSKA**
 13. **PÍLOVÝ KOTÚČ (Pozri Obr. A)**
 14. **VNÚTORNÁ PRÍRUBA (Pozri Obr. A)**
 15. **UPEVNŮVACIA SKRUTKA PÍLOVÉHO KOTÚČA (Pozri Obr. A)**
 16. **PARALELNÁ VODIACA LIŠTA**
 17. **ROVNOBEŽNÝ VODIACA LIŠTA UPÍNADLA**


 - 140 18. **KUŽELOVÉ NASTAVOVACIA PÁČKA**

 19. **VONKAJŠIA PRÍRUBA (Pozri Obr. A)**
 20. **LASER**
 21. **VYPÍNAČ LASERU**
 22. **BATÉRIE PRE LASEROVÉ ZARIADENIE (Dve) (Pozri Obr. E2)**
 23. **INDIKÁTOR VYROVNANIA PÍLOVÉHO KOTÚČA**
-

Štandardná dodávka neobsahuje všetko zobrazené či opísané príslušenstvo.

TECHNICKÉ ÚDAJE

Typ **WX427 (4 - označenie nástroja predstavujúce pílu)**

Menovité napätie		230-240V ~ 50Hz
Menovitý príkon		710W
Otáčky naprázdno		3700/min
Rozmer pílového kotúča	Pílový kotúč TCT	120mmx1.2mmx9.5mmx24T
	Pílový kotúč HSS	115mmx1.2mmx9.5mmx60T
	Diamantový pílový kotúč	115mmx1.6mmx9.5mmx60G
Kapacita rezania	Hĺbka rezu pri 90°	46mm
	Hĺbka rezu pri 45°	30mm
Veľkosť hriadeľa		9.5mm
Odporúčaná maximálna hrúbka materiálu	Drevo	46mm
	Hliník	2.5mm
	PVC rúrka (Priemer)	46mm
	Dlaždica	12mm
	Oceľový plech	0.5mm
Vreteno veľkosť závit		M5
Pílová hrúbka pílového kotúča	Pílový kotúč TCT	0.8mm
	Pílový kotúč HSS	0.65 mm
	Diamantový pílový kotúč	1mm
Č. modelu batérie laserového zar.		LR44 1,5 V
Trieda ochrany		
Hmotnosť		2.3kg

141

INFORMÁCIE TÝKAJÚCE SA HLUČNOSTI

Nameraný akustický tlak	L_{pA} : 76dB(A)
Nameraný akustický výkon	L_{wA} : 87dB(A)
K_{pA} & K_{wA}	3.0dB(A)

Používajte ochranu sluchu

INFORMÁCIE O VIBRÁCIÁCH

Výsledné celkové hodnoty pre vibrácie (suma pre trojosový vektor) stanovené podľa normy EN 60745:

Hodnota emisie vibrácií:	Rezanie dreva: $a_{h,W} = 6.82\text{m/s}^2$
	Nepresnosť K = 1.5m/s^2
	Rezanie kovu: $a_{h,M} = 5.63\text{m/s}^2$
	Nepresnosť K = 1.5m/s^2
	Rezanie dlaždica: $a_h = 6.91\text{m/s}^2$
	Nepresnosť K = 1.5m/s^2

Deklarovaná celková hodnota vibrácií sa môže použiť na vzájomné porovnanie jednotlivých náradí a takisto aj na predbežné stanovenie času práce.

! **VÝSTRAHA:** Hodnota emisie vibrácií počas skutočného používania elektrického náradia sa môže odlišovať od deklarovanej hodnoty, a to v závislosti od spôsobu používania náradia a v závislosti od nasledujúcich príkladov odchýlok od spôsobu používania náradia:
Akým spôsobom sa náradie používa a aké materiály budú rezané alebo vŕtané.
Náradie je v dobrom stave a je dobre udržiavané.
Používanie správneho príslušenstva v spojení s náradím a zabezpečenie jeho ostrosti a dobrého stavu.
Tesnosť zovretia rukovätí a používanie doplnkov proti vibráciám.
Používanie náradia na účel určený podľa konštrukcie a v súlade s pokynmi.

142

Toto náradie môže vyvolávať syndróm trasenia rúk a ramien, pokiaľ jeho používanie nie je správnym spôsobom riadené.


! **VÝSTRAHA:** Kvôli presnosti by mal odhad úrovne expozície v skutočných podmienkach používania obsahovať taktiež všetky súčasti prevádzkového cyklu, ako sú časy, keď je náradie vypnuté a keď beží na voľnobehu, a to mimo skutočného vykonávania práce. Tým môže dôjsť k značnému zníženiu úrovne expozície počas celkového prevádzkového času.
Pomôžte minimalizovať riziko expozície účinkom vibrácií.
VŽDY používajte ostré sekáče a čepele.
Náradie udržiavajte v súlade s týmto návodom a udržiavajte ho dobre namazané (ak je to potrebné).
Ak sa náradie používa často, investujte do príslušenstva zabraňujúceho vibráciám.
Vyhnite sa používaniu náradia pri teplote 10°C a menej.
Prácu si naplánujte tak, aby ste akékoľvek používanie náradia pri vysokých vibráciách rozdelili na niekoľko dní.

PRÍSLUŠENSTVO

Pílový kotúč TCT: 24T pre drevo (WA5046)	1
Pílový kotúč HSS: 60T pre tenké ocelové plechy a hliníka, PVC rúrky, plast (WA5047)	1
Diamantový pílový kotúč: 60G pre betón, mramor, dlaždice, betónové dosky pod obkladom (WA5048)	1
Paralelná vodiaca lišta	1
Vákuový adaptér	1
Šesťhranný Kľúč	1

Odporúčame príslušenstvo kúpiť v rovnakom obchode ako samotné náradie. Používajte kvalitné značkové príslušenstvo. Typ príslušenstva zvoľte podľa typu vykonávanej práce. Podrobnejšie informácie sú priložené k jednotlivému príslušenstvu. Odborní predavači vám pomôžu a poradia..

BEZPEČNOSTNÉ UPOZORNENIA PRE VŠETKY PÍLY

- a.  **NEBEZPEČENSTVO: Ruky nepribližujte do priestoru rezania a pílového kotúča.** Ak obe ruky držia pílu, nemôžu byť porezané pílovým kotúčom.
- b. **Nesiahajte pod rezaný materiál.** Pod rezaným materiálom vás ochranný kryt nechráni.
- c. **Hĺbku rezu zvolte podľa hrúbky rezaného materiálu.** Pod materiálom má byť vidieť menej ako celú výšku zubov.
- d. **Rezaný kus nikdy nedržte v rukách ani položený cez nohy. Resaný kus upevnite na stabilnú platformu.** Upnutie materiálu je dôležité pre zníženie rizika zranenia, zaseknutia pílového kotúča alebo straty kontroly.
- e. **Tam, kde by sa nástroj pri práci mohol dostať do kontaktu so zakrytými vodičmi alebo svojou vlastnou napájacou šnúrou, držte náradie za izolované časti na uchopenie náradia.** Elektrický kontakt nástroja so „živým“ vodičom spôsobí, že všetky kovové časti píly budú pod napätím.
- f. **Pri rezaní vždy používajte vodiacu lištu alebo rovný príložník.** Zlepšuje to presnosť rezania a znižuje riziko zaseknutia pílového kotúča.
- g. **Vždy používajte kotúč správneho rozmeru a tvaru (kosoštvorcový alebo kruhový) upínacieho otvoru.** Kotúče, ktoré do píly nepasujú, budú kmitať a spôsobia stratu kontroly nad rezaním.
- h. **Nikdy nepoužívajte nesprávne alebo poškodené príruby kotúča alebo upínací trň.** Upínací trň aj príruha boli špeciálne navrhnuté pre vašu pílu tak, aby zaručili optimálny výkon a bezpečnú prevádzku.

ĎALŠIE BEZPEČNOSTNÉ POKYNY PRE VŠETKY PÍLY.

Príčiny a prevencia vyhodenia píly:

- Vyhodenie píly z drážky je reakcia na náhle zovretie, zaseknutie alebo vychýlenie pílového kotúča, ktoré vedie k nekontrolovanému vyskočeniu píly z reznej drážky smerom k manipulantom.
- Ak dôjde k zovretiu alebo zaseknutiu pílového kotúča uzavretím reznej drážky, kotúč sa zastaví a reakcia motora ho vymrští z drážky smerom k manipulantom;
- Ak sa kotúč v drážke skrúti alebo dostane do šikmej polohy, zuby kotúča sa zahryznú do horného povrchu a vyhodia kotúč z drážky smerom k manipulantom.

Vyhodenie píly z drážky je výsledkom nesprávneho používania píly a/alebo neprávneho postupu rezania či podmienok rezania a dá sa mu zabrániť, ak sa dodržia nižšie uvedené pohyby.

- a. **Pílu pevne držte v polohe, ktorá umožní vzdorovať silám vyhadzujúcim pílu. Polohu tela zvolte na jednej strane pílového kotúča, ale nie v línii rezu.** Píla síce môže vyskočiť z drážky smerom k manipulantom, ale dá sa to kontrolovať, ak sa dodržia preventívne opatrenia.
- b. **Ak sa kotúč zasekne alebo rezanie z nejakého dôvodu treba prerušiť, uvoľnite vypínač a držte pílu nehybne v materiáli, kým sa kotúč nezastaví. Ak sa kotúč otáča, nikdy neskúšajte vybrať pílu zo záberu alebo ju ťahať smerom dozadu, môže to vyvolať vymrštenie píly.** Preskúmajte príčiny zovretia kotúča a nájdite spôsob, ako tomu zabrániť.
- c. **Ak chcete pílu opäť rozbehnúť v drážke, vycentrujte kotúč v drážke a overte, či sa zuby nedotýkajú materiálu.** Ak je píla zaseknutá, pri opätovnom spustení motora vybehne smerom hore alebo skočí dozadu.
- d. **Veľké ploché kusy podložte, aby ste znížili riziko zovretia kotúča**

a vymrštenia píly. Veľké kusy sa pri rezaní pod vlastnou hmotnosťou prehýbajú. Podložka musí byť pod oboma koncami rezaného kusu, blízko línie rezu a pri okraji rezaného kusu.

- e. Tupé alebo poškodené pílové kotúče nepoužívajte.** Nebrúsené alebo nesprávne rozvedené zuby vyrábajú úzku drážku a spôsobujú nadmerné trenie, zovretie kotúča a vyhodenie píly z drážky.
- f. Skôr ako začnete rezať, musia byť páčky na nastavenie hĺbky rezu a uhlu skosenia pevne aretované.** Ak sa nastavenie kotúča posunie počas rezania, môže sa zaseknúť kotúč a dôjsť k vyhodeniu píly.
- g. Mimoriadne opatrni buďte pri „zarezaní“ do existujúcich stien alebo iných povrchov, za ktoré nie je vidieť.** Prečnievajúci kotúč môže zarezať do iných predmetov alebo vyhodit' pílu z drážky.

BEZPEČNOSTNÉ POKYNY TÝKAJÚCE SA PÍL (OKRUŽNÁ PÍLA S OTOČENÍM SPODNÝM KRYTOM)

Funkcia spodného krytu

- a. Pred každým použitím skontrolujte, či sa spodný kryt správne zatvára. Pílu nepoužívajte, ak sa spodný kryt nepohybuje voľne a ihneď sa nezatvára. Spodný kryt nikdy neupevňujte ani neuväzujte do otvorenej polohy.** Ak dôjde k náhodnému pádu píly, spodný kryt sa môže ohnúť. Spodný kryt ovládacou páčkou zdvihnite a skontrolujte, či sa voľne pohybuje a nedotýka sa kotúča ani iných častí, a to pri všetkých hĺbkach rezu a hodnotách pokosu.
- b. Skontrolujte fungovanie pružiny dolného krytu. Ak kryt a pružina nepracujú správne, treba pílu pred použitím poslať do servisu.** Ak má poškodené časti, sú na ňom lepkavé nánosy alebo sa na ňom zhromažďuje piliny, pohybuje sa dolný kryt spomalene.

- c. Dolný kryt smie byť zatiahnutý iba pri špeciálnych typoch prác, ako je rezanie vybraní alebo zložených rezov. Zdvihnite spodný kryt potiahnutím páčky, ale ihneď, ako kotúč vnikne do materiálu, spodný kryt musí byť uvoľnený.** Pre všetky ostatné typy rezania nechajte spodný kryt pracovať automaticky.
- d. Pred tým, ako odložíte pílu na pracovný stôl alebo podlahu, overte, či je vysunutý spodný ochranný kryt.** Nechránený, dobiehajúci pílový kotúč spôsobí, že píla začne cúvať a rezať všetko, čo jej stojí v ceste. Berte do úvahy, že od vypnutia píly tlačidlom do zastavenia pílového kotúča uplynie určitý čas.

DODATOČNÉ BEZPEČNOSTNÉ PRAVIDLÁ PRE VAŠU OKRUŽNÚ PÍLU

1. Vždy používajte protiprachovú masku, chrániče sluchu a ochranné okuliare.
2. Používajte iba kotúče s odporúčanými parametrami.
3. Používajte iba pílové kotúče s priemerom podľa označenia.

ĎALŠIE BEZPEČNOSTNÉ POKYNY TÝKAJÚCE SA REZACÍ STROJ

- a) Kryt dodaný s nástrojom musí byť pevne pripojený k elektrickému nástroju a umiestnený tak, aby poskytoval maximálnu bezpečnosť tak, aby bolo smerom k operátorovi nechránených čo najmenej kotúčov. Okolostojacich aj seba postavte tak, aby ste boli mimo plochy otáčajúceho sa kotúča.** Kotúče, pre ktoré brúska nie je konštruovaná sa nedajú primerane chrániť a sú nebezpečné.
- b) Pre elektrické náradie používajte iba**

diamantové rezné kotúče. Skutočnosť, že sa príslušenstvo dá namontovať na vašu brúsku neznamena, že bude aj bezpečne fungovať.

- c) Príslušenstvo musí byť stavané najmenej pre menovité otáčky vyznačené na brúske, príslušenstvo používané pri vyšších ako jeho menovité otáčky sa môže rozletieť na kusy.**
- d) Kotúče treba používať iba pre odporúčané činnosti. Napríklad: nepoužívajte bočnú stranu kotúča na obrusovanie.** Abrazívne rezné kotúče sú určené pre periférne brúsenie, ak na nich pôsobia bočné sily, môžu sa rozletieť na kusy.
- e) Vždy používajte nepoškodené kotúčové príruby správnej veľkosti a tvaru pre vami zvolený typ kotúča.** Správne príruby kotúča sa opierajú o kotúč a znižujú tak riziko je prasknutia.
- f) Nepoužívajte opotrebené kotúče z väčšieho typu elektrického náradia.** Ak pochádza z väčšieho typu náradia, nie je kotúč vhodný pre väčšie otáčky malého náradia a môže sa rozletieť.
- g) Vonkajší priemer a hrúbka príslušenstva (brúsneho kotúča) musia vyhovovať parametrom brúsky.** Brúsne kotúče nesprávnej veľkosti nemožno primerane chrániť ani ovládať.
- h) Upínací trň kotúčov a prírub musí správne usadiť vreteno elektrického nástroja.** Príslušenstvo a príruby s osadzovacími otvormi, ktoré neodpovedá upínacej časti elektrického nástroja, bude nevyvážené a bude nadmerne vibrovať, čo by mohlo spôsobiť stratu kontroly.
- i) Nepoužívajte poškodené kotúče. Pred každým použitím skontrolujte, či nie je z kotúčov odštiepené a či nie sú popraskané. Ak dôjde k pádu nástroja alebo kotúča na zem, skontrolujte, či nedošlo k poškodeniu alebo nainštalujte nepoškodené príslušenstvo. Po kontrole a inštalácii akéhokoľvek kotúča, zaujmite vy a okolo stojacie osoby takú pozíciu, aby ste boli**

mimo roviny rotácie kotúča a zapnite elektrický prístroj na maximálne vol'nobežné otáčky na jednu minútu. Poškodené kotúče sa zvyčajne rozpadnú pri tomto testovaní.

- j) Používajte osobné ochranné prostriedky. Podľa druhu práce použite tvárový štít, ochranné alebo bezpečnostné okuliare. Podľa potreby použite protiprachovú masku, chrániče sluchu, rukavice a pracovnú zásteru, ktorá je schopná zastaviť malé abrazívne predmety, alebo kusy brúseného materiálu.** Ochrana zraku musí byť schopná zachytiť odletujúce malé kúsky vznikajúce pri rôznych prácach. Protiprachová maska alebo respirátor musia byť schopné odfiltrovať častice vzniknuté počas práce. Dlhšia expozícia silnému hluku môže poškodiť sluch.
- k) Nedovoľte tretím osobám prístup na pracovisko. Každá osoba na pracovisku musí používať osobné ochranné prostriedky.** Úlomky pracovného materiálu alebo poškodeného príslušenstva môžu odletieť a spôsobiť zranenie mimo vlastnej pracovnej oblasti.
- l) Tam, kde by elektrické náradie pri práci mohlo dostať do kontaktu so zakrytými vodičmi, lebo svojou vlastnou napájacou šnúrou, náradie držte za izolované úchopové časti.** Elektrický kontakt nástroja so „živým“ vodičom spôsobí, že všetky kovové časti brúsky budú pod napätím.
- m) Napájacia šnúra sa nesmie dostať do blízkosti otáčajúcich sa častí.** Ak stratíte nad prístrojom kontrolu, môže dôjsť k prerezaniu alebo poškodeniu kábla a vtiahnutiu dlane alebo celej ruky do rotujúceho kotúča.
- n) Náradie neodkladajte, kým sa motor otáča.** Rotujúci kotúč sa môže zachytiť za povrch a vytrhnúť elektrický prístroj z vašej kontroly.
- o) Pri prenášaní náradia opretého o bok náradie nesmie byť zapnuté.** Náhodný kontakt s otáčajúcim sa pracovným nástrojom môže spôsobiť zachytenie odevu a pritiahnutie náradie k telu.

- p) Pravidelne čistite vetracie otvory motora.** Vetrák motora nasáva dovnútra krytu brúsky prach a prílišné nahromadenie práškoveho kovu môže spôsobiť skrat.
- q) Brúsku nepoužívajte v blízkosti horľavých materiálov.** Odletujúce iskry môžu spôsobiť jeho vznietenie.
- r) Nepoužívajte príslušenstvo, ktoré vyžaduje chladenie kvapalinami.** Použitie vody alebo iného kvapalného chladiva môže viesť k úrazu elektrickým prúdom alebo šoku.

Spätný náraz a súvisiace výstrahy

Spätný náraz je náhla reakcia na zovretie alebo zaseknutie otáčajúceho sa kotúča. Zovretie alebo zaseknutie spôsobuje náhle zastavenie otáčajúceho sa kotúča, čo spôsobuje, že neovládané elektrické náradie je v mieste uviaznutia vrhnuté v opačnom smere k smeru otáčania kotúča.

Ak je napríklad brúsny kotúč zachytený alebo priškripený k opracovávanému kusom materiálu, okraj kotúča vnikajúci do miesta priškripenia sa môže zasaknúť do materiálu a spôsobiť, že kotúč vylezie, alebo je vyhodенý von.

Kotúč môže poskočiť dopredu, alebo preč od pracovníka, v závislosti na pohybe kotúča v mieste jeho zastavenia. Brúsny kotúč sa môže za týchto podmienok rozletieť na kusy. Vyhodenie kotúča z drážky je výsledkom nesprávneho používania náradia a/alebo neprávneho postupu rezania či podmienok rezania a dá sa mu zabrániť, ak sa dodržia nižšie uvedené pokyny.

- a) Náradie pevne držte a stojte tak, aby vaše ramená a telo umožňovali vzdorovať vymršteniu náradia. Vždy používajte prídavnú rukoväť, ak je k dispozícii, získate tým maximálnu kontrolu nad snahou náradia vytrhnúť sa rúk, alebo silám pri zapnutí náradia.** Pracovník je schopný zvládnuť sily krútiaceho momentu uvoľnené pri priškripení kotúča alebo spustení náradia.
- b) Ruky nikdy nedávajte do blízkosti rotujúcich častí náradia.** Príslušenstvo môže byť vymrštené cez vaše ruky.
- c) Nestojte v línii s otáčajúcim sa kotúčom.** Smer vymrštenia náradie

je opačný, ako smer otáčania kotúča v momente zastavenia.

- d) Bud'te mimoriadne opatrní pri práci v rohoch, pri ostrých okrajoch a pod, tak aby pracovný nástroj nenarazil, ani nebol zachytený.** Rohy, ostré uhly a poskakovanie nástroja zvyšujú riziko zastavenia nástroja a následnú stratu kontroly nad náradím.
- e) Nepripájajte pílovú reťaz, rezný kotúč na drevorezbu, segmentovaný diamantový kotúč s obvodovou medzerou viac ako 10 mm alebo ozubený pílový list.** Takéto čepele vytvárajú časté spätné nárazy a stratu ovládania.
- f) Kotúč „nevtláčajte“ ani nevyvíjajte nadmerný tlak. Nesnažte sa urobiť veľmi hlboký rez.** Prílišné namáhanie kotúča zvyšuje jeho záťaž a náchylnosť ku skrúteniu alebo zaseknutiu v reze s následným vymrštením náradia a straty kontroly nad ním.
- g) Ak sa kotúč zasekne, alebo rezanie z nejakého dôvodu treba prerušiť, uvoľnite vypínač a držte pílu nehybne v materiáli, kým sa kotúč nezastaví. Nepokúšajte sa vyberať rezací kotúč z rezu vtedy, keď ešte beží, pretože by to mohlo mať za následok vyvolanie spätného rázu.** Preskúmajte príčiny zovretia kotúča a nájdite spôsob, ako tomu zabrániť.
- h) Ak náradie stojí v reze, nepokračujte v rezaní tým, že náradie zapnete. Pred začatím rezania nechajte kotúč nabehnúť do pracovných otáčok a potom ju vložte do rezu.** Ak sa náradie spustí s kotúčom v reze, kotúč sa môže zaseknúť vybehnúť z rezu alebo je celé náradie vymrštené z materiálu.
- i) Veľké ploché kusy podložte, aby ste znížili riziko zovretia kotúča a vymrštenia píly.** Veľké kusy sa pri rezaní vlastnou váhou ohýbajú. Podložka musí byť pod oboma koncami rezaného kusu, blízko línie rezu a pri okraji rezaného kusu.
- j) Mimoriadne opatrní bud'te pri "zarezaní" do existujúcich stien alebo iných povrchov, za ktoré nie je vidieť.** Prečnievajúci kotúč môže

zarezat' do vodovodných trubiek, elektrických rozvodov alebo objektov, ktoré sú schopné zastaviť kotúč a odmrštiť náradie.

DODATOČNÉ BEZPEČNOSTNÉ PRAVIDLÁ

1. Vždy používajte protiprachovú masku.

VŠEOBECNÉ BEZPEČNOSTNÉ VÝSTRAHY TÝKAJÚCE SA LASERA



VAROVANIE: Prečítajte si všetky bezpečnostné výstrahy a všetky pokyny. Nedodržanie varovaní a pokynov môže viesť k vážnemu zraneniu.

Tieto lasery bežne nepredstavujú nebezpečenstvo pre zrak, hoci pozeranie sa do lúča môže spôsobiť náhlu slepotu.

Nepozerajte sa priamo do laserového lúča. Nebezpečenstvo môže vzniknúť vtedy, keď úmyselne pozeráte do lúča. Dodržiavajte všetky nasledujúce bezpečnostné predpisy:

1. **Laser sa musí používať a udržiavať v súlade s pokynmi výrobcu.**
2. **Lúčom nikdy nemierte na žiadnu osobu alebo objekt, okrem obrobku.**
3. **Laserový lúč nesmie byť zámerne namierený na iné osoby a musí sa zabrániť jeho nasmerovaniu na oči osoby v čase dlhšom ako 0,25 sekundy.**
4. **Vždy sa uistite, že laserový lúč je namierený na pevný obrobok bez reflexných plôch.** Prípustné sú napríklad drevo alebo povrchy s hrubým povlakom. Na laserové aplikácie nie je vhodný jasný, lesklý, reflexný oceľový plech alebo podobný materiál, pretože reflexný povrch môže nasmerovať laserový lúč späť na operátora.
5. **Laserové zariadenie nevymieňajte za iný typ.** Opravy musí vykonávať výrobca alebo autorizovaný zástupca.


6. UPOZORNENIE: Používanie iných ovládacích prvkov alebo vykonávanie úprav, okrem tu uvedených, môže mať za následok vystavenie sa nebezpečnému žiareniu.


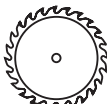
ĎALŠIE BEZPEČNOSTNÉ UPOZORNENIA PRE LASER TRIEDY 2

Laserové zariadenie použité v tomto náradí patrí do triedy 2 s maximálnym vyžarovacím výkonom 1.5 mW pri vlnovej dĺžke 650 nm.

**LASEROVÉ ŽIARENIE TRIEDY 2,
NEPOZERAJTE DO LASEROVÉHO LÚČA**

SYMBOLY

	Kvôli zníženiu rizika poranenia je potrebné, aby si používateľ najprv prečítal návod.
	Dvojitá izolácia
	Výstraha
	Používajte chrániče sluchu
	Používajte ochranu očí
	Používajte protiprachovú masku
	Nepozerajte sa do lúča
	Laserové žiarenie
	Elektrické výrobky sa nesmú likvidovať spolu s domácim odpadom. Recyklujte v zberných miestach na tento účel zriadených. O možnosti recyklácie sa informujte na miestnych úradoch alebo u predajcu.
	Pred každou prácou na samotnom stroji vytiahnite sieťovú zástrčku z elektrickej zásuvky.
	Noste ochranné rukavice

	Drevo
	Hliník
	Kov
	Nesprávne
	Správne
	Zamknúť
	Odomknúť
	Diamantový pílový kotúč
	Pílový kotúč HSS
	Pílový kotúč TCT

NÁVOD NA POUŽITIE



POZNÁMKA: Pred tým, ako náradie použijete, prečítajte si návod na použitie.

URČENÉ POUŽITIE:

Stroj je určený pre pozdĺžne a priečne delenie dreva a iných materiálov priamym rezom, pričom je posúvaný po obrobku.

MONTÁŽ A OBSLUHA

Krok	Obrázok
Montáž A Demontáž Pílového Kotúča	Pozri Obr. A
Bezpečnostný Spínač Zapnuté/Vypnuté	Pozri Obr. B
Křížový A Pozdĺžny Rez	Pozri Obr. C1, C2
Používanie Funkcie Laserového Svetla	Pozri Obr. D1,D2
Výmena Batérií Laserového Zariadenia	Pozri Obr. E1-E3
Paralelná Vodiaca Lišta	Pozri Obr. F1, F2
Nastavenie Hĺbky Rezu	Pozri Obr. G1,G2
Nastavenie Uhla Rezu	Pozri Obr. H
Komôrkové Pílenie	Pozri Obr. I1,I2
Odstraňovanie Pilín	Pozri Obr. J

TIPY NA PRÁCU S NÁSTROJOM

Ak je píla Versacut príliš horúca, pílu VersacutTM nechajte v chode bez zaťaženia 2 – 3 minúty, kým motor nevychladne. Vyhnite sa dlhodobému používaniu pri silných záťažach pílením.

Pílové kotúče chráňte pred nárazmi a otrasmi.

Nadmerný posuv výrazne znižuje výkonnosť zariadenia a znižuje prevádzkovú životnosť pílového kotúča. Výkonnosť pílenia a kvalita rezu závisia v podstate od stavu a počtu zubov pílového kotúča.

Preto používajte iba ostré pílové kotúče, ktoré sú vhodné na materiál, ktorý sa bude opracúvať.

Výber pílových kotúčov: 24 zubov na bežné práce, približne 40 zubov na jemnejšie rezy, viac ako 40 zubov na veľmi jemné rezy do krehkých povrchov, diamant na dlaždice, cementové dosky, atď.

Používajte len odporúčané pílové kotúče.

ÚDRŽBU NÁSTROJOV VYKONÁVAJTE OPATRNE

Pred vykonávaním nastavovania, opráv a údržby vyťahnite zástrčku z elektrickej zásuvky.

Nástroje udržiavajte ostré a čisté pre lepšie a bezpečnejšie vykonávanie práce. Dodržiavajte pokyny na mazanie a výmenu príslušenstva. Pravidelne kontrolujte napájacie káble a v prípade poškodenia ich odovzdajte na opravu do autorizovaného servisu. Vaša kotúčová elektrická píla si nevyžaduje žiadne ďalšie mazanie alebo údržbu. Táto kotúčová elektrická píla neobsahuje žiadne používateľom opraviteľné diely. Na čistenie nástroja nikdy nepoužívajte vodu alebo chemické čistiace prostriedky. Vyuťierajte suchou handričkou. Kotúčovú elektrickú pílu vždy uschovávajte na suchom mieste. Vetracie otvory na kryte elektromotora udržiavajte čisté. Zo všetkých ovládacích prvkov odstraňujte prach. Ak je napájací kábel poškodený, musí ho vymeniť výrobca, jeho servisný zástupca alebo podobne kvalifikovaní pracovníci, aby sa predišlo nebezpečenstvu zranenia. Na zabezpečenie riadneho výkonu musíte z ochranného krytu a podložky pravidelne odstraňovať prach a piliny.

OCHRANA ŽIVOTNÉHO PROSTREDIA



Elektrické výrobky sa nesmú likvidovať spolu s domácim odpadom. Recyklujte v zberných miestach na tento účel zriadených. O možnosti recyklácie sa informujte na miestnych úradoch alebo u predajcu.

ODSTRAŇOVANIE PROBLÉMOV

Symptóm	Možné príčiny	Možné riešenie
Nástroj sa pri zapnutí vypínača neuvedie do chodu.	Napájací kábel nie je zapojený do elektrickej zásuvky. Napájací kábel je poškodený. Uhlíkové kefy sú opotrebované.	Skontrolujte, či je napájací kábel riadne zapojený do elektrickej zásuvky. Odpojte napájací kábel. Požiadajte oprávneného údržbára o jeho výmenu. Požiadajte oprávneného údržbára o výmenu uhlíkových kefiiek.
Hĺbka rezu je menšia ako nastavená hĺbka.	V zadnej časti základovej dosky sú nahromadené piliny.	Piliny vytraste. Zvážte pripojenie zariadenia na odsávanie a zber prachu.
Pílový kotúč sa otáča alebo prešmykuje.	Pílový kotúč nie je pevne upnutý na vretene.	Pílový kotúč vyberte a znovu namontujte tak, ako je to popísané v časti INŠTALÁCIA/VÝMENA PÍLOVÉHO KOTÚČA .
Pílový kotúč nereže priamočiario.	Pílový kotúč je tupý. Pílový kotúč je nesprávne namontovaný. Píla sa nevedie správne.	Namontujte nový ostrý pílový kotúč. Skontrolujte, či je pílový kotúč správne namontovaný. Používajte rovnobežnú vodiacu lištu.
Pílový kotúč vytvára pri začínaní pílenia spätný náraz	Pílový kotúč má nízke otáčky.	Pred začatím pílenia počkajte, kým pílový kotúč dosiahne plné otáčky.

PREHLÁSENIE O ZHODE

My,
POSITEC Germany GmbH
Konrad-Adenauer-Ufer 37
50668 Köln

Vyhlasujeme, že tento výrobok
Popis **WORX Elektrická Okružná Píla**
Typ **WX427 (4 – označenie nástroja predstavujúce pílu)**
Funkcie **Rezanie rôznych materiálov pomocou otočnej ozubenej čepele**

Zodpovedá nasledujúcim smerniciam:

2006/42/EC
2004/108/EC
2011/65/EU

Spĺňa posudzované normy:

EN 55014-1
EN 55014-2
EN 61000-3-2
EN 61000-3-3
EN 60745-1
EN 60745-2-5
EN 60745-2-22

151

Osoba zodpovedajúca za technickú dokumentáciu,

Názov Russell Nicholson
Adresa Positec Power Tools (Europe) Ltd, PO Box 152, Leeds, LS10 9DS, UK



Suzhou 2015/01/21
Allen Ding
Zástupca vrchnej konštrukčnej kancelárie,
Testovanie & Certifikácia



you've got the power

www.worx.com

Copyright © 2015, Positec. All Rights Reserved.
2PSC17APK11003A1