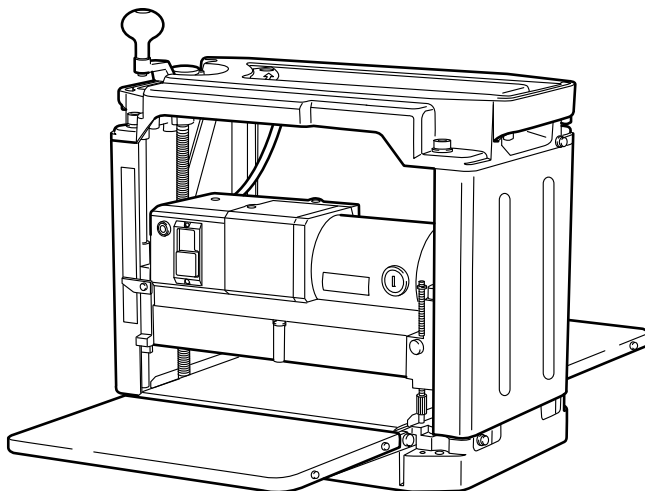
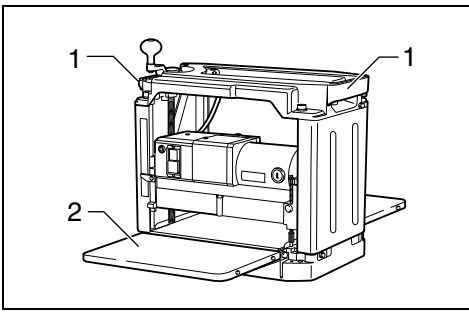




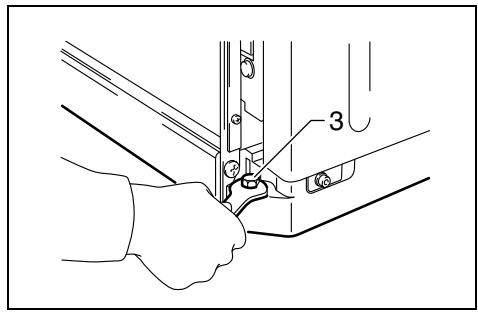
GB	Thicknesser	Instruction Manual
F	Raboteuse	Manuel d'instructions
D	Dickenhobel	Betriebsanleitung
I	Pialla a spessore	Istruzioni per l'uso
NL	Vandiktebank	Gebruiksaanwijzing
E	Cepillo	Manual de instrucciones
P	Garlopa	Manual de instruções
DK	Tykkelseshøvl	Brugsanvisning
GR	Μηχάνημα πλανίσματος	Οδηγίες χρήσεως

2012NB

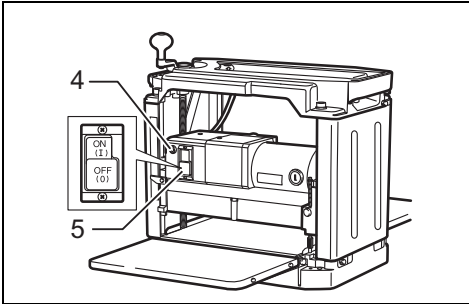




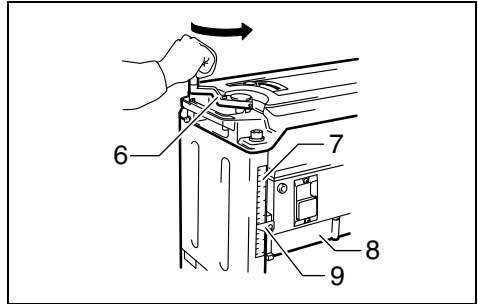
1



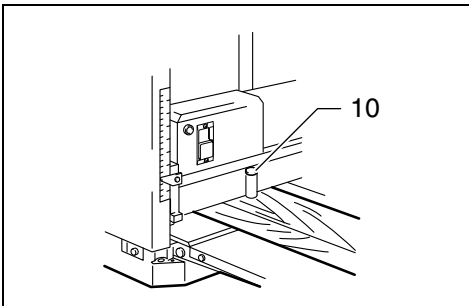
2



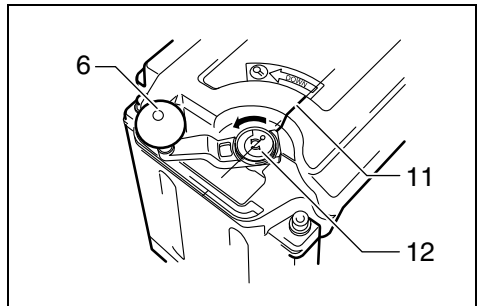
3



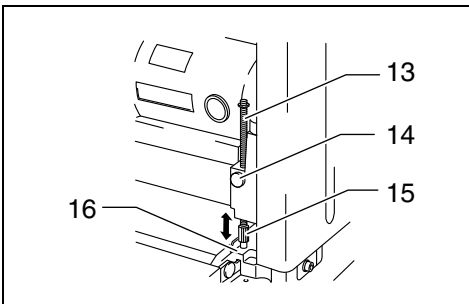
4



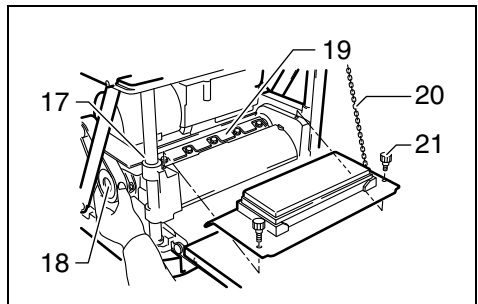
5



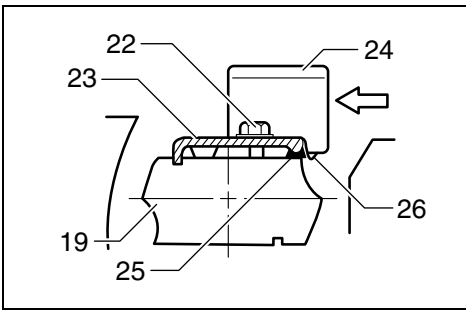
6



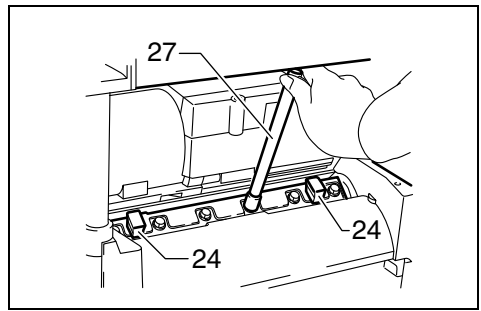
7



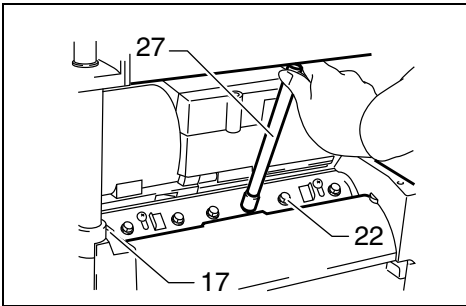
8



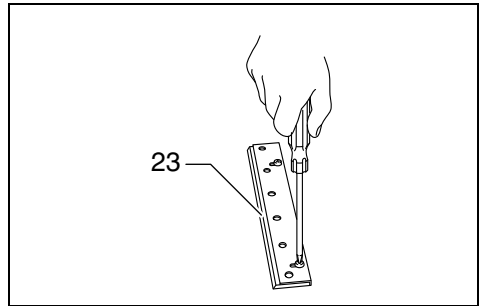
9



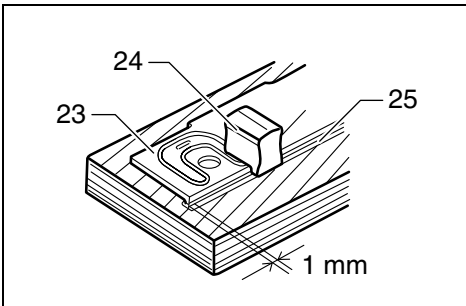
10



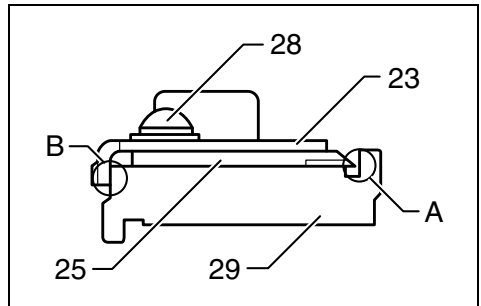
11



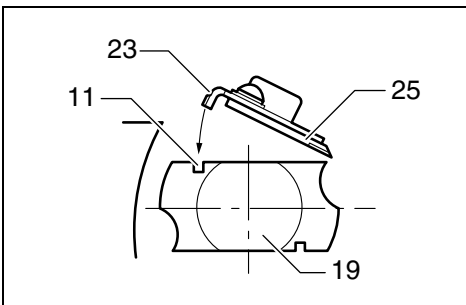
12



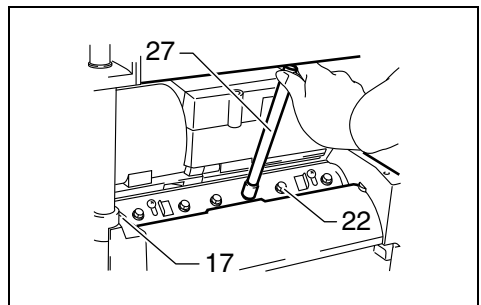
13



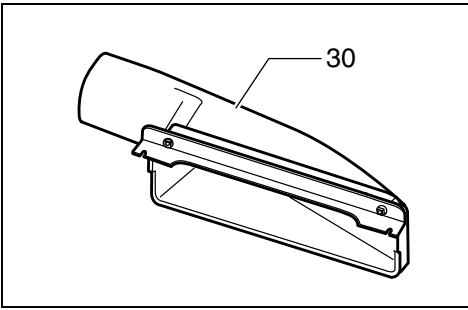
14



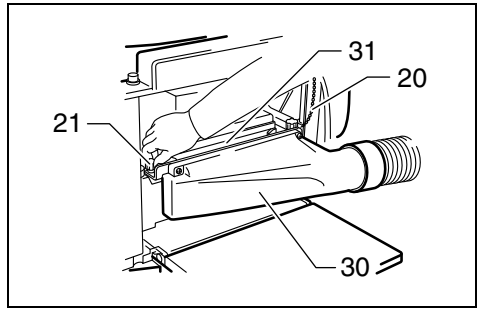
15



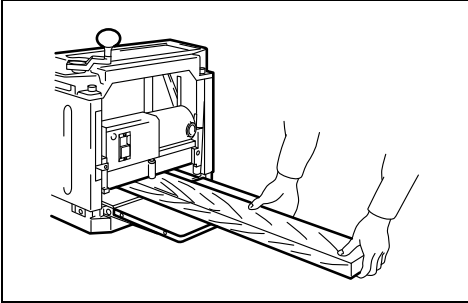
16



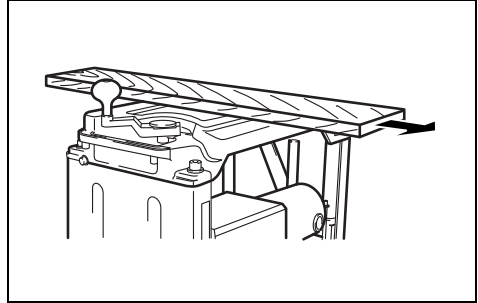
17



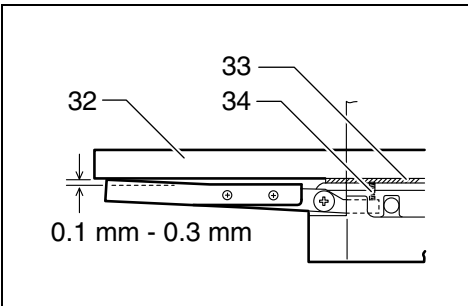
18



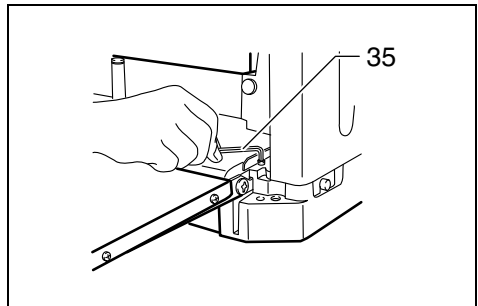
19



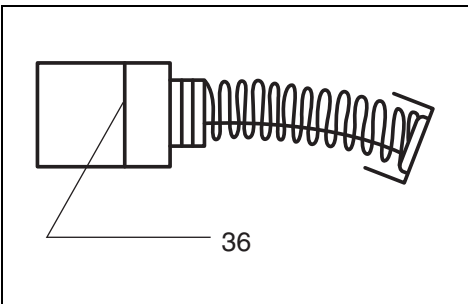
20



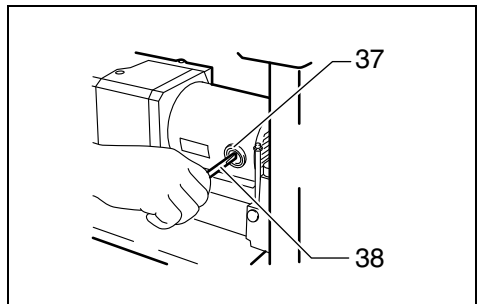
21



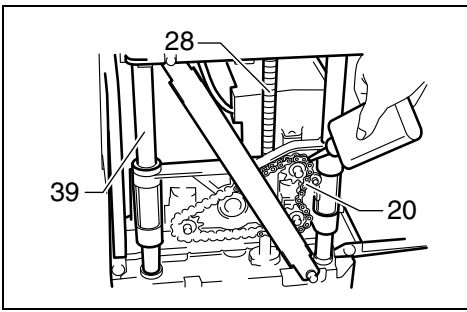
22



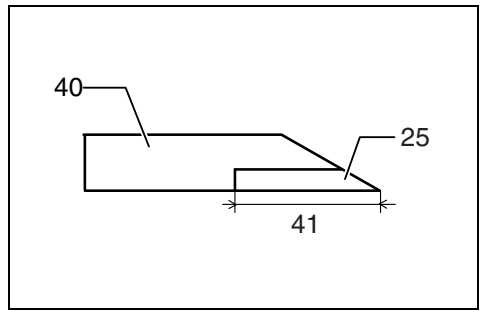
23



24



25




26

Explanation of general view

1 Carrying handle	15 Stopper knob	29 Blade gauge
2 Sub-table	16 Table top	30 Hood set
3 Bolt or screw	17 Lock plate	31 Chip cover
4 Pilot lamp	18 Pulley	32 Ruler
5 Switch	19 Drum	33 Post card
6 Crank handle	20 Chain	34 Adjusting screw
7 Scale	21 Thumb screw	35 Hex wrench
8 Main frame	22 Blade installation bolt	36 Limit mark
9 Indicator plate	23 Set plate	37 Brush holder cap
10 Depth gauge	24 Magnetic holder	38 Screwdriver
11 Groove	25 Blade	39 Column
12 Depth adjusting gauge	26 Claw	40 Base
13 Stopper	27 Socket wrench	41 More than 4 mm
14 Stopper button	28 Screw	

SPECIFICATION

Model	2012NB
Cutting width	304 mm
Max. cutting depth	3.0 mm of stock width less than 150 mm 1.5 mm of stock width from 150 mm to 240 mm 1.0 mm of stock width from 240 mm to 304 mm
Feed rate (min ⁻¹)	8.5 m
Table size (W x L)	304 mm x 771 mm
No load speed (min ⁻¹)	8,500
Overall length (W x L x H)	483 mm x 771 mm x 401 mm
Net weight	28.1 kg
safety class	 /II

- Due to our continuing program of research and development, the specifications herein are subject to change without notice.
- Specifications may differ from country to country.
- Weight according to EPTA-Procedure 01/2003

GEA010-1

ENE001-1

Intended use

The tool is intended for planing wood.

ENF002-1

Power supply

The tool should be connected only to a power supply of the same voltage as indicated on the nameplate, and can only be operated on single-phase AC supply. They are double-insulated in accordance with European Standard and can, therefore, also be used from sockets without earth wire.


ENF100-1

For public low-voltage distribution systems of between 220 V and 250 V

Switching operations of electric apparatus cause voltage fluctuations. The operation of this device under unfavorable mains conditions can have adverse effects to the operation of other equipment. With a mains impedance equal or less than 0.38 Ohms it can be presumed that there will be no negative effects.

The mains socket used for this device must be protected with a fuse or protective circuit breaker having slow tripping characteristics.

General Power Tool Safety Warnings

 **WARNING** Read all safety warnings and all instructions. Failure to follow the warnings and instructions may result in electric shock, fire and/or serious injury.

Save all warnings and instructions for future reference.

GEB066-1

THICKNESSER SAFETY WARNINGS

1. **Wear eye protection.**
2. **Wear suitable personal protective equipment when necessary, such as hearing protection (ear plugs), respiratory protection (dust mask) and gloves when handling rough material.**
3. **Do not use the tool in the presence of flammable liquids or gases.**
4. **Make sure that all covers are installed in place before operation.**
5. **Handle the blades very carefully.**
6. **Check the blades carefully for cracks or damage before operation. Replace cracked or damaged blades immediately.**
7. **Tighten the planer blade installation bolts securely.**

8. Remove nails and clean the workpiece before cutting. Nail, sand or foreign matter can cause blade damage.
9. Do not remove chips from the chip chute when the motor is running. Clean out chips after the blades come to a complete stop. Always use a stick etc. when cleaning them out.
10. Do not leave the tool running.
11. Do not abuse cord. Never yank cord to disconnect it from receptacle. Keep cord away from heat, oil water and sharp edges.
12. The tool should only be used for wood and similar materials.

SAVE THESE INSTRUCTIONS.

⚠ WARNING:

DO NOT let comfort or familiarity with product (gained from repeated use) replace strict adherence to safety rules for the subject product. MISUSE or failure to follow the safety rules stated in this instruction manual may cause serious personal injury.

INSTALLATION

Movement and transport of thicknesser (Fig. 1)

⚠ CAUTION:

- Watch your step when moving the tool.

Fold the sub-tables. Grasp the carrying handles when moving the tool.

When transporting it by vehicle, secure with a rope or other substantial means to prevent tipping or movement.

Positioning the thicknesser (Fig. 2)

Locate the tool in a well lit and level place where you can maintain good footing and balance. Bolt/screw it to the workbench or stand (optional accessory) using the bolt holes provided in the base.

FUNCTIONAL DESCRIPTION

⚠ CAUTION:

- Always be sure that the tool is switched off and unplugged before adjusting or checking function on the tool.

Switch action (Fig. 3)

⚠ CAUTION:

- Before plugging in the tool, always be sure that the tool is switched off. The pilot lamp lights up when the tool is plugged into the power source.

To start the tool, press the ON (I) button. To stop it, press the OFF (O) button.

Dimensional adjustment (Fig. 4)

Lower the main frame by turning the crank handle counterclockwise until the indicator plate points to the scale graduation indicating the desired finished dimension. One full turn of the crank handle moves the main frame 2 mm up or down. The scale has inch graduations on its right side and metric graduations on its left side.

Adjusting depth of cut

The maximum depth of cut differs depending upon the width of workpiece being cut. Refer to the table. When you need to remove more than the amount specified in the table, set the depth of cut shallower than the amount and make two or more passes.

Width of workpiece being cut	Maximum depth of cut
Less than 150 mm	3.0 mm
150 mm – 240 mm	1.5 mm
240 mm – 304 mm	1.0 mm

To adjust the depth of cut, proceed as follows.

Insert the workpiece flat on the table top. Lower the main frame by turning the crank handle counterclockwise. The depth gauge will rise and the amount of gauge rise indicates the depth of cut. (Fig. 5)

⚠ CAUTION:

- Always lower the main frame when aligning the indicator plate with the graduation indicating the desired finished dimension. If you raise the main frame into the desired finished dimension, additional play in the screw may result. This may cause an undesired finished dimension.
- Always place the workpiece flat on the table top when predetermining the depth of cut. Otherwise, the predetermined depth of cut will differ from actual depth of cut.

Depth adjusting gauge (Fig. 6)

Use the depth adjusting gauge when you need to predetermine the depth of cut more accurately. To do so, proceed as follows.

1. First, plane the workpiece at the predetermined depth of cut. Measure the thickness of the planed piece to know how much more stock you need to remove.
2. Turn the depth adjusting gauge on the crank handle until the 0 graduation is aligned with the groove on the tool.
3. Now turn the crank handle counterclockwise until the graduation for the desired depth of cut is aligned with the groove on the tool.
4. When you need to remove more than the amount specified in the table mentioned in the "Adjusting depth of cut" section, set the depth of cut shallower than the amount and make two or more passes.

Stopper (Fig. 7)

Use the stopper when you need to plane many workpieces to the same thickness. To do so, proceed as follows.

1. Turn the crank handle until the indicator plate points to the scale graduation indicating the desired finished dimension.
2. Depress the stopper button and lower the stopper until it just contacts the table top.
3. If you need fine adjustment of the stopper, turn the stopper knob.

⚠ CAUTION:

- When the stopper is not in use, always raise it to the topmost position. Never force the crank handle when the stopper is in contact with the table top. This may cause tool damage.

ASSEMBLY

CAUTION:

- Always be sure that the tool is switched off and unplugged before carrying out any work on the tool.

Replacing blades

CAUTION:

- Handle the blades very carefully when removing or installing the blades to prevent cuts or injury from the blades and to prevent damage to the blades. They are razor-sharp.
- Clean out all chips, dust, pitch or foreign matter adhering to the drum or blades before installing the blades.
- Use blades of the same dimensions and weight, or drum oscillation/vibration will result, causing poor cutting action and eventually, tool breakdown.
- Replace both blades at the same time.
- The disposable-type blade has a cutting edge on both sides. When one cutting edge becomes dull, you can use the other cutting edge. Always remove resin and dirt sticking to the reverse side of the blade before using the other cutting edge. This blade must not be re-sharpened. When both cutting edges become dull, the blade should be carefully thrown away.

1. Removing blades

Loosen the thumb screw which secures the chip cover and remove the chip cover. Remove the screws which secure the right side cover. Then remove the right side cover. Turn the pulley until the drum can be locked in the position whereby the blade installation bolts face upward. (Fig. 8)

For throw away blades only

Place the two magnetic holders on the set plate and push them in the direction of the arrow until the claw contact the blade. Remove the six blade installation bolts using the socket wrench. Grip the magnetic holders and raise them straight up to remove the set plate and the blade from the drum. Press the lock plate and turn the pulley 180° to lock the drum. Remove the other blade as described above. (Fig. 9 & 10)

For standard blades only

Remove the six installation bolts using the socket wrench. Raise the set plate and blade straight up to remove them from the drum. Press the lock plate and rotate the drum by turning the pulley 180° to lock the drum. Remove the other blade as described above. Remove the set plate from the blade. (Fig. 11 & 12)

2. Installing blades

CAUTION:

- Use only Makita socket wrench provided to tighten the blade installation bolts. The use of any other socket wrench may cause overtightening or insufficient tightening of the bolts, resulting in severe injury.

For throw away blades only

Provide a flat wood block approximately 300 mm long and 100 mm wide. Place the blade and the set plate on the wood block so that the blade locating lug of the set plate rests in the groove of the blade. Adjust the set plate so that both ends of the blade protrude approximately 1 mm beyond the end of the set plate. Place the two magnetic holders on the set plate and push them until the claw contacts the blade. (Fig. 13)

Grip the magnetic holder and slip the heel of the set plate into the groove in the drum. Install the blade installation bolts. (Fig. 9)

After tightening all the blade installation bolts lightly and evenly from the center to the outside, tighten them completely following the same sequence. Remove the magnetic holders from the set plate.

Install the other blade as described above. Rotate the drum slowly while pressing the lock plate to make sure there is nothing abnormal. Then install the chip cover and the side cover. (Fig. 10)

CAUTION:

- Do not tighten the blade installation bolts without the blade locating lug of the set plate correctly resting in the groove of the blade. This may cause damage to the blade and potential injury to the operator.
- Do not turn the tool on with the chip cover removed.
- When installing the chip cover, make sure that the chain is not caught by the chip cover.

For standard blades only

Place the blade on the blade gauge so that the blade edge is perfectly flush with the inside of the front rib (A). Place the set plate on the blade, then gently press the heel of the set plate flush with the back side of the blade gauge (B). Tighten the screws to secure the set plate to the blade. (Fig. 14)

Slip the heel of the set plate into the groove in the drum. Install the blade installation bolts. (Fig. 15)

After tightening all the blade installation bolts lightly and evenly from the center to the outside, tighten them completely following the same sequence. (Fig. 16)

Install the other blade as described as above. Rotate the drum slowly while pressing the lock plate to make sure there is nothing abnormal. Then install the chip cover and the side cover.

CAUTION:

- Tighten the blade installation bolts securely when installing the blades.
- Do not turn the tool on with the chip cover open.
- When installing the chip cover, make sure that the chain is not caught by the chip cover.

Changing type of blade

This tool can accept either throw away blades or standard blades. If you wish to change the type of blade, buy and use the following parts.

Changing from standard blade to throw-away blade		Changing from throw-away blade to standard blade	
Set plate	2 pcs.	Set plate	2 pcs.
Throw-away blade (306 mm)	2 pcs.	Pan head screw M 4 x 6	4 pcs.
Magnetic holder	2 pcs.	Standard blade	2 pcs.
		Blade gauge	1 pc.

Hood set (Fig. 17)

When you wish to maintain clean operations through easy dust collection, connect the vacuum cleaner to the thicknesser using this hood.

Loosen the thumb screws which secure the chip cover. Attach the hood to the thicknesser and secure the chip cover and the hood together by tightening the thumb screws.

⚠ CAUTION:

- When installing the hood set, make sure that the chain is not caught by the chip cover or hood set. (Fig. 18)

OPERATION

⚠ CAUTION:

- Two or more pieces of narrow but similar thickness stock can be passed through the thicknesser side by side. However, allow some spacing between the stock to permit the feed rollers to grip the thinnest piece of stock. Otherwise, a slightly thinner piece could be kicked back by the cutterhead.

Place the workpiece flat on the table top.

Determine the depth of cut as described before.

Switch on the tool and wait until the blades attain full speed. The workpiece should not be in contact with the feed roller when you turn the tool on.

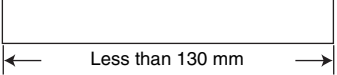
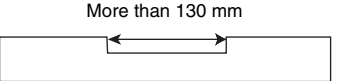
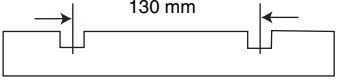
Then insert the workpiece flush with the table top.

When cutting a long or heavy workpiece, lift up its end slightly at the start and the end of the cut to avoid gouging or snipping at the extreme ends of the workpiece. (Fig. 19)

The use of the tool top enables quick, effortless return of the workpiece to the infeed table side. This is especially convenient with two operators. (Fig. 20)

⚠ CAUTION:

- The workpiece with the following dimensions cannot be fed into the tool because the interval between two feed rollers is 129 mm. Do not try to cut them.

1		Less than 130 mm long
2		Having a groove more than 130 mm wide
3		Having grooves at intervals of 130 mm wide

- Stop the tool when the workpiece has stalled. Allowing the tool to run with a stalled workpiece causes rapid wearing of the feed rollers.

MAINTENANCE

CAUTION:

- Always be sure that the tool is switched off and unplugged before attempting to perform inspection or maintenance.
- Never use gasoline, benzene, thinner, alcohol or the like. Discoloration, deformation or cracks may result.

Adjusting height of sub-table (Fig. 21 & 22)

The height of sub-table is factory-adjusted. If further adjustment is necessary, proceed as follows.

Place a postcard on the table and also place a ruler on the postcard. Turn the adjusting screw with the hex wrench until the end of the sub-table contacts the ruler. Now the end of the sub-table is from 0.1 mm to 0.3 mm above the table surface.

Replacing carbon brushes (Fig. 23 & 24)

Remove and check the carbon brushes regularly. Replace when they wear down to the limit mark. Keep the carbon brushes clean and free to slip in the holders. Both carbon brushes should be replaced at the same time. Use only identical carbon brushes.

Use a screwdriver to remove the brush holder caps. Take out the worn carbon brushes, insert the new ones and secure the brush holder caps.

Keeping blades sharp

Dull blades can cause rough finish, an overload of the motor and dangerous kickback of the workpiece. Replace dull blades immediately.

Lubrication (Fig. 25)

Oil the chain (after removing the side cover R), the four columns and the screws for elevating the main frame. This periodic lubrication should be performed with machine oil.

CAUTION:

- Oiling and all maintenance should be done with the tool turned off and unplugged.

Cleaning

Always brush off dirt, chips and foreign matter adhering to the roller surfaces, motor vents and drums.

Limit for re-sharpening of standard blade (Fig. 26)

Do not use the standard blade whose blade length is under 4 mm.

To maintain product SAFETY and RELIABILITY, repairs, any other maintenance or adjustment should be performed by Makita Authorized Service Centers, always using Makita replacement parts.

ACCESSORIES

CAUTION:

- These accessories or attachments are recommended for use with your Makita tool specified in this manual. The use of any other accessories or attachments might present a risk of injury to persons. Only use accessory or attachment for its stated purpose.

If you need any assistance for more details regarding these accessories, ask your local Makita Service Center.

- Magnetic holder
- Throw-away blade
- Standard blade
- Blade gauge
- Socket wrench 9
- Hex wrench 2.5
- Hood set
- Stand

ENG905-1

Noise

The typical A-weighted noise level determined according to EN61029:

Sound pressure level (L_{pA}): 86 dB (A)

Sound power level (L_{WA}): 99 dB (A)

Uncertainty (K): 3 dB (A)

Wear ear protection

ENH037-1

For European countries only

EC Declaration of Conformity

We Makita Corporation as the responsible manufacturer declare that the following Makita machine(s):

Designation of Machine: Thicknesser

Model No./ Type: 2012NB

are of series production and

Conforms to the following European Directives:
2006/42/EC

And are manufactured in accordance with the following standards or standardised documents:

EN12100-1, IEC61029, EN860

The EC Type-Examination Certificate No. 10-SKM-CM-0523

The EC Type-Examination per 2006/42/EC was performed by:

Inspecta Sweden AB

PO Box 30100

SE-104 25 STOCKHOLM, Sweden

Identification No. 0409

The technical documentation is kept by our authorised representative in Europe who is:

Makita International Europe Ltd.

Michigan Drive, Tongwell,

Milton Keynes, MK15 8JD, England

3.3.2010




Tomoyasu Kato
Director

Makita Corporation
3-11-8, Sumiyoshi-cho,
Anjo, Aichi, JAPAN

Descriptif

1 Poignée de transport	14 Bouton de la butée	28 Vis
2 Table auxiliaire	15 Poignée de la butée	29 Jauge de fer
3 Boulon ou vis	16 Dessus de la table	30 Capot
4 Lampe témoin	17 Plaque de verrouillage	31 Couvercle à copeaux
5 Interrupteur	18 Poulie	32 Règle
6 Manivelle à main	19 Tambour	33 Carte postale
7 Échelle	20 Chaîne	34 Vis de réglage
8 Bâti principal	21 Vis à oreilles	35 Clé hexagonale
9 Plaque d'indication	22 Boulon de maintien du fer	36 Trait de limite d'usure
10 Jauge de profondeur	23 Plaque de fixation	37 Bouchon de porte-charbon
11 Rainure	24 Support magnétique	38 Tournevis
12 Jauge de réglage de la profondeur	25 Fer	39 Colonne
13 Butée	26 Griffes	40 Base
	27 Clé à douille	41 Plus de 4 mm

SPÉCIFICATIONS

Modèle	2012NB
Largeur de coupe	304 mm
Profondeur de coupe max.	3,0 mm de matériel sur une largeur inférieure à 150 mm 1,5 mm de matériel sur une largeur de 150 à 240 mm 1,0 mm de matériel sur une largeur de 240 à 304 mm
Vitesse d'alimentation (min ⁻¹)	8,5 m
Dimensions de la table (Larg. x Long.)	304 mm x 771 mm
Vitesse à vide (min ⁻¹)	8 500
Surface totale (Larg. x Long. x H)	483 mm x 771 mm x 401 mm
Poids net	28,1 kg
Catégorie de sécurité	 /II

- Étant donné l'évolution constante de notre programme de recherche et de développement, les spécifications contenues dans ce manuel sont sujettes à modification sans préavis.
- Les spécifications peuvent varier suivant les pays.
- Poids selon la procédure EPTA 01/2003

ENE001-1

Utilisations

L'outil est conçu pour le rabotage du bois.

ENF002-1

Alimentation

L'outil ne devra être raccordé qu'à une alimentation de la même tension que celle qui figure sur la plaque signalétique, et il ne pourra fonctionner que sur un courant secteur monophasé. Réalisé avec une double isolation, il est conforme à la réglementation européenne et peut de ce fait être alimenté sans mise à la terre.

ENF100-1


Pour les systèmes de distribution publics à basse tension, entre 220 V et 250 V

La mise sous tension et hors tension des appareils électriques entraîne des fluctuations de tension. L'utilisation de cet appareil dans des conditions d'alimentation électrique inadéquates peut avoir des effets néfastes sur le fonctionnement des autres équipements. Il ne devrait toutefois pas y avoir d'effets négatifs si l'impédance de l'alimentation est égale ou inférieure à 0,38 Ohms.

La prise de courant utilisée pour cet appareil doit être protégée par un fusible ou un disjoncteur de protection à déclenchement lent.

GEA010-1

Consignes de sécurité générales pour outils électriques

 **MISE EN GARDE** Veuillez lire toutes les mises en garde et toutes les instructions. Il y a risque de choc électrique, d'incendie et/ou de blessure grave si les mises en garde et les instructions ne sont pas respectées.

Conservez toutes les mises en garde et instructions pour référence ultérieure.

GEB066-1

CONSIGNES DE SÉCURITÉ POUR RABOTEUSE

1. Portez des lunettes de protection.
2. Lorsque nécessaire, portez des dispositifs de protection personnelle. Par exemple, une protection de l'ouïe (bouche-oreilles), une protection des voies respiratoires (masque antipoussières), et des gants lorsque vous manipulez des matériaux à la surface rude.
3. N'utilisez pas l'outil en présence de liquides ou gaz inflammables.

4. Assurez-vous que tous les protecteurs sont bien en place avant de commencer l'utilisation.
5. Maniez les fers avec beaucoup de prudence.
6. Avant l'utilisation, vérifiez toujours soigneusement l'absence de fissures ou de dommages sur les fers. Veuillez remplacer immédiatement tout fer fissuré ou endommagé.
7. Serrez à fond les boulons de fixation du fer de rabot.
8. Retirez les clous et nettoyez la pièce à travailler avant de commencer à raboter. Les clous, le sable ou tout corps étranger peuvent endommager le fer.
9. Attendez que le moteur ait cessé de tourner avant de retirer les copeaux de la goulotte à copeaux. Attendez l'arrêt complet des fers avant de retirer les copeaux. Pour retirer les copeaux, utilisez toujours un objet tel qu'un petit bâton.
10. Ne quittez jamais votre outil alors qu'il est en marche.
11. Ne maltraitez pas le cordon. Ne tirez jamais directement sur le cordon pour le débrancher de la prise de courant. Maintenez le cordon à l'écart de la chaleur, de l'eau, de l'huile et des objets à bords tranchants.
12. L'outil ne doit être utilisé qu'avec le bois et les matériaux similaires.

CONSERVEZ CES INSTRUCTIONS.

⚠ AVERTISSEMENT :

NE vous laissez PAS tromper (avec l'usage répété) par un sentiment de confort ou de familiarité avec l'outil, au point de ne pas respecter rigoureusement les consignes de sécurité qui accompagnent l'outil. La MAUVAISE UTILISATION de l'outil ou l'ignorance des consignes de sécurité indiquées dans ce manuel d'instructions peut entraîner une blessure grave.

INSTALLATION

Déplacement et transport de la raboteuse (Fig. 1)

⚠ ATTENTION :

- Regardez bien où vous marchez lorsque vous déplacez l'outil.

Repliez les tables auxiliaires. Saisissez l'outil par ses poignées de transport lorsque vous le déplacez.

Lorsque vous le transportez par véhicule, immobilisez-le au moyen d'une corde ou d'un autre moyen suffisant pour éviter qu'il ne s'incline ou ne se déplace.

Emplacement de la raboteuse (Fig. 2)

Placez l'outil dans un endroit bien éclairé et de niveau, où vous serez assuré d'avoir une position stable et équilibrée. Boulonnez-le ou vissez-le à un établi ou au support de raboteuse (accessoire en option) au moyen des orifices à boulon fournis sur la base.

DESCRIPTION DU FONCTIONNEMENT

⚠ ATTENTION :

- Assurez-vous toujours que l'outil est hors tension et débranché avant de l'ajuster ou de vérifier son fonctionnement.

Interrupteur (Fig. 3)

⚠ ATTENTION :

- Avant de brancher l'outil, assurez-vous toujours qu'il est hors tension. La lampe témoin s'allume lorsque l'outil est branché sur la source d'alimentation.

Pour démarrer l'outil, appuyez sur le bouton (I). Pour l'arrêter, appuyez sur le bouton (O).

Réglage des dimensions (Fig. 4)

Abaissez le bâti principal en tournant la manivelle à main dans le sens inverse des aiguilles d'une montre jusqu'à ce que la plaque d'indication pointe sur la graduation de l'échelle qui indique la dimension finale désirée. Le bâti principal se déplace de 2 mm vers le haut ou le bas chaque fois que la manivelle à main effectue un tour complet. L'échelle est dotée de graduations impériales (pouces) du côté droit et de graduations métriques (cm) du côté gauche.

Réglage de la profondeur de coupe

La profondeur maximale de coupe varie suivant la largeur de la pièce à travailler. Veuillez consulter le tableau. Si vous devez retirer une couche de matériau supérieure aux valeurs indiquées dans le tableau, réglez la profondeur de coupe sur une valeur inférieure à la profondeur désirée et faites deux ou trois passes.

Largeur de la pièce à raboter	Profondeur de coupe maximale
Moins de 150 mm	3,0 mm
150 mm – 240 mm	1,5 mm
240 mm – 304 mm	1,0 mm

Pour ajuster la profondeur de coupe, procédez comme suit.

Insérez la pièce bien à plat sur la surface de la table. Abaissez le bâti principal en tournant la manivelle à main dans le sens inverse des aiguilles d'une montre. La jauge de profondeur s'élevera, le niveau d'élévation de la jauge indiquant la profondeur de coupe. (Fig. 5)

⚠ ATTENTION :

- Abaissez toujours le bâti principal lorsque vous alignez la plaque d'indication sur la graduation qui indique la dimension finale désirée. Si vous élevez le bâti principal sur la dimension finale désirée, il risque d'en résulter un jeu additionnel sur la vis. Vous risquez alors de ne pas obtenir la dimension finale désirée.
- Placez toujours la pièce bien à plat sur la surface de la table lorsque vous procédez au pré-réglage de la profondeur de coupe. Autrement, la profondeur de coupe pré-réglée sera différente de la véritable profondeur de coupe.

Jauge de réglage de la profondeur (Fig. 6)

Utilisez la jauge de réglage de la profondeur lorsque vous devez prérégler la profondeur de coupe de façon plus précise. Pour cela, procédez comme suit.

1. Rabotez d'abord la pièce à la profondeur de coupe prérégulée. Mesurez l'épaisseur de la pièce rabotée pour connaître la quantité de matériau qu'il reste à retirer.
2. Tournez la jauge de réglage de la profondeur sur la manivelle à main jusqu'à ce que la graduation 0 soit alignée sur la rainure qui se trouve sur l'outil.
3. Tournez alors la manivelle à main dans le sens inverse des aiguilles d'une montre jusqu'à ce que la graduation correspondant à la profondeur de coupe désirée soit alignée sur la rainure qui se trouve sur l'outil.
4. Si vous devez retirer une couche de matériau supérieure aux valeurs indiquées dans le tableau de la section "Réglage de la profondeur de coupe", réglez la profondeur de coupe sur une valeur inférieure à la profondeur désirée et faites deux ou trois passes supplémentaires.

Butée (Fig. 7)

Utilisez la butée lorsque vous devez raboter plusieurs pièces sur une même épaisseur. Pour cela, procédez comme suit.

1. Tournez la manivelle à main jusqu'à ce que la plaque d'indication pointée sur la graduation de l'échelle qui indique la dimension finale désirée.
2. Enfoncez le bouton de la butée et abaissez cette dernière jusqu'à ce qu'elle touche à peine la surface de la table.
3. Si vous devez régler la butée avec plus de précision, tournez la poignée de la butée.

ATTENTION :

- Lorsque vous n'utilisez pas la butée, élevez-la toujours jusqu'à sa position supérieure. Ne forcez jamais la manivelle à main lorsque la butée se trouve en contact avec la surface de la table. Vous risqueriez d'endommager l'outil.

ASSEMBLAGE

ATTENTION :

- Avant d'effectuer toute intervention sur l'outil, assurez-vous toujours qu'il est hors tension et débranché.

Remplacement des fers

ATTENTION :

- Manipulez les fers de manière très prudente lors de leur installation ou retrait pour éviter toute coupure ou blessure au contact d'un fer et pour éviter tout dommage aux fers. Les fers sont tranchants comme des lames de rasoir.
- Avant d'installer les fers, retirez les copeaux, les particules de poussière, la poix ou tout corps étranger adhérant au tambour ou aux fers.
- Utilisez des fers de même dimension et de même poids, sinon le tambour oscillera ou vibrera et il en résultera un mouvement de coupe médiocre, voire l'endommagement de l'outil.
- Remplacez les deux fers en même temps.

- Le fer jetable est doté d'un tranchant des deux côtés. Lorsque l'un des tranchants est émoussé, vous pouvez utiliser l'autre tranchant. Retirez toujours la résine ou les saletés collées à la face opposée du fer avant d'utiliser l'autre tranchant. Ce fer ne doit pas être réaffûté. Lorsque les deux tranchants sont émoussés, il faut jeter le fer en prenant les précautions nécessaires.

1. Retrait des fers

Desserrez la vis à oreilles qui retient le couvercle à copeaux puis retirez-le. Retirez les vis qui retiennent le couvercle de droite. Retirez ensuite le couvercle de droite. Tournez la poulie jusqu'à ce que le tambour puisse être verrouillé dans la position où les boulons de maintien du fer sont orientés vers le haut. (Fig. 8)

Pour les fers jetables uniquement

Placez les deux supports magnétiques sur la plaque de fixation et poussez-les dans le sens de la flèche jusqu'à ce que la griffe entre en contact avec le fer. Retirez les six boulons de maintien du fer au moyen de la clé hexagonale. Saisissez les supports magnétiques et soulevez-les verticalement pour retirer du tambour la plaque de fixation et le fer. Appuyez sur la plaque de verrouillage et tournez la poulie de 180° pour verrouiller le tambour. Retirez l'autre fer de la façon décrite ci-dessus. (Fig. 9 et 10)

Pour les fers ordinaires uniquement

Retirez les six boulons de maintien du fer au moyen de la clé à douille. Soulevez la plaque de fixation et le fer verticalement pour les retirer du tambour. Appuyez sur la plaque de verrouillage et faites tourner le tambour pour le verrouiller en tournant la poulie de 180°. Retirez l'autre fer de la façon décrite ci-dessus. Retirez la plaque de fixation du fer. (Fig. 11 et 12)

2. Mise en place des fers

ATTENTION :

- Utilisez uniquement la clé à douille Makita fournie pour serrer les boulons de maintien du fer. En utilisant toute autre clé à douille, vous risqueriez de trop serrer les boulons ou de ne pas les serrer assez, entraînant un risque de blessure grave.

Pour les fers jetables uniquement

Procurez-vous une planche de bois plane d'environ 300 mm de long et 100 mm de large. Placez le fer et la plaque de fixation sur la planche de bois de sorte que l'ergot de positionnement du fer de la plaque de fixation repose contre la rainure du fer. Ajustez la plaque de fixation de sorte que les deux extrémités du fer dépassent l'extrémité de la plaque de fixation d'environ 1 mm. Placez les deux supports magnétiques sur la plaque de fixation et poussez-les jusqu'à ce que la griffe entre en contact avec le fer. (Fig. 13) Saisissez le support magnétique et faites glisser le talon de la plaque de fixation dans la rainure du tambour. Installez les boulons de maintien du fer. (Fig. 9)

Après avoir serré légèrement et de manière égale tous les boulons de maintien du fer en procédant du centre vers la périphérie, serrez-les à fond dans le même ordre. Retirez les supports magnétiques de la plaque de fixation.

Installez l'autre fer de la façon décrite ci-dessus. Faites tourner le tambour lentement tout en appuyant sur la plaque de verrouillage pour vous assurer qu'il n'y a aucune anomalie. Installez ensuite le couvercle à copeaux et le couvercle latéral. **(Fig. 10)**

⚠ ATTENTION :

- Ne serrez pas les boulons de maintien du fer sans que l'ergot de positionnement du fer de la plaque de fixation ne repose correctement dans l'entaille du fer. Cela risquerait d'endommager le fer et comporte un risque de blessure pour l'utilisateur.
- Ne mettez pas le contact sur l'outil alors que le couvercle à copeaux est retiré.
- Lorsque vous installez le couvercle à copeaux, prenez garde que la chaîne ne se coince sous ce dernier.

Pour les fers ordinaires uniquement

Placez le fer sur la jauge de fer de sorte que le bord du fer soit parfaitement aligné avec l'intérieur de la nervure avant (A). Placez la plaque de fixation sur le fer, puis appuyez doucement sur le talon de la plaque de fixation pour l'aligner parfaitement sur le côté arrière de la jauge de fer (B). Serrez les vis pour fixer la plaque de fixation sur le fer. **(Fig. 14)**

Faites glisser le talon de la plaque de fixation dans la rainure du tambour. Installez les boulons de maintien du fer. **(Fig. 15)**

Après avoir serré légèrement et de manière égale tous les boulons de maintien du fer en procédant du centre vers la périphérie, serrez-les à fond dans le même ordre. **(Fig. 16)**

Installez l'autre fer de la façon décrite ci-dessus. Faites tourner le tambour lentement tout en appuyant sur la plaque de verrouillage pour vous assurer qu'il n'y a aucune anomalie. Installez ensuite le couvercle à copeaux et le couvercle latéral.

⚠ ATTENTION :

- Serrez fermement les boulons de maintien du fer lorsque vous installez les fers.
- Ne mettez pas le contact sur l'outil alors que le couvercle à copeaux est ouvert.
- Lorsque vous installez le couvercle à copeaux, prenez garde que la chaîne ne se coince sous ce dernier.

Changement de type de fer

Cet outil permet d'utiliser aussi bien les fers jetables que les fers ordinaires. Si vous désirez changer le type de fer, veuillez acheter et utiliser les pièces suivantes.

Remplacement d'un fer ordinaire par un fer jetable		Remplacement d'un fer jetable par un fer ordinaire	
Plaque de fixation	2 pièces	Plaque de fixation	2 pièces
Fer jetable (306 mm)	2 pièces	Vis à tête cylindrique large M 4 x 6	4 pièces
Support magnétique	2 pièces	Fer ordinaire	2 pièces
		Jauge de fer	1 pièce

Capot (Fig. 17)

Ce capot permet de raccorder la raboteuse à un aspirateur, pour faciliter la collecte des poussières et assurer un travail propre.

Desserrez les vis à oreilles qui retiennent le couvercle à copeaux. Fixez le capot à la raboteuse et fixez ensemble le couvercle à copeaux et le capot en serrant les vis à oreilles.

⚠ ATTENTION :

- Lorsque vous installez le capot, prenez garde que la chaîne ne se coince sous ce dernier ou sous le couvercle à copeaux. **(Fig. 18)**

UTILISATION

⚠ ATTENTION :

- Il est possible de faire passer côte à côte dans la raboteuse deux pièces ou plus si elles sont minces et de même épaisseur. Il faut toutefois laisser un peu d'espace entre les pièces pour permettre aux rouleaux d'entraînement de saisir la pièce la plus mince. Sinon, une des pièces risque d'être repoussée par le porte-lame si elle est légèrement plus mince.

Placez la pièce bien à plat sur la table.

Déterminez la profondeur de coupe en procédant de la façon décrite ci-dessus.

Mettez l'outil sous tension et attendez que les fers aient atteint leur pleine vitesse. La pièce ne doit pas être en contact avec le rouleau d'alimentation lorsque vous mettez l'appareil sous tension.

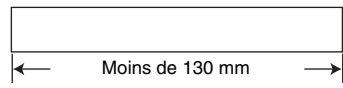
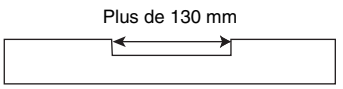
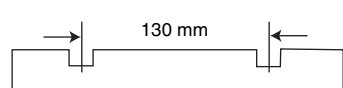
Insérez ensuite la pièce de sorte qu'elle soit bien à plat sur la table.

Lorsque vous coupez une pièce longue ou lourde, soulevez légèrement son extrémité au début et à la fin de la coupe pour éviter de faire des entailles ou des stries aux extrémités de la pièce. **(Fig. 19)**

L'utilisation du couvercle de l'outil permet de remettre la pièce du côté d'alimentation de la table rapidement et sans effort. Cela est tout particulièrement pratique lorsque l'outil est utilisé par deux personnes. **(Fig. 20)**

ATTENTION :

- Les pièces qui ont les dimensions suivantes ne peuvent pas être insérées dans l'outil puisque la distance entre les deux rouleaux d'alimentation est de 129 mm. N'essayez pas de couper de telles pièces.

1		Longueur inférieure à 130 mm
2		Rainure d'une largeur supérieure à 130 mm
3		Rainures à intervalles de 130 mm sur la largeur

- Arrêtez l'outil lorsque la pièce se bloque. Si vous laissez l'outil tourner alors qu'il y a une pièce bloquée, les rouleaux d'alimentation s'useront rapidement.

ENTRETIEN

ATTENTION :

- Assurez-vous toujours que l'outil est hors tension et débranché avant d'y effectuer tout travail d'inspection ou d'entretien.
- N'utilisez jamais d'essence, benzine, diluant, alcool ou autre produit similaire. Cela risquerait de provoquer la décoloration, la déformation ou la fissuration de l'outil.

Réglage de la hauteur de la table auxiliaire (Fig. 21 et 22)

La hauteur de la table auxiliaire est réglée en usine. Si un réglage supplémentaire est nécessaire, procédez comme suit.

Posez une carte postale sur la table et une règle sur la carte postale. Tournez la vis de réglage avec la clé hexagonale jusqu'à ce que l'extrémité de la table auxiliaire entre en contact avec la règle. L'extrémité de la table auxiliaire se trouve alors à une hauteur de 0,1 mm à 0,3 mm par rapport à la surface de la table.

Remplacement des charbons (Fig. 23 et 24)

Retirez et vérifiez régulièrement les charbons. Remplacez-les lorsqu'ils sont usés jusqu'au trait de limite d'usure. Maintenez les charbons propres et en état de glisser aisément dans les porte-charbon. Les deux charbons doivent être remplacés en même temps. N'utilisez que des charbons identiques.

Retirez les bouchons de porte-charbon à l'aide d'un tournevis. Enlevez les charbons usés, insérez-en de nouveaux et fixez solidement les bouchons de porte-charbon.

Maintenez les fers bien affûtés

Les fers émoussés peuvent entraîner une finition médiocre, une surcharge du moteur et un dangereux choc en retour de la pièce. Les fers émoussés doivent être remplacés sans tarder.

Lubrification (Fig. 25)

Lubrifiez la chaîne (après avoir retiré le couvercle latéral R), les quatre colonnes et les vis d'élévation du bâti principal. Ce travail de lubrification périodique doit être effectué avec de l'huile à machine.

ATTENTION :

- L'outil doit être hors tension et débranché lorsque vous effectuez sa lubrification ou son entretien.

Nettoyage

Retirez toujours, à l'aide d'une brosse, les saletés, copeaux et corps étrangers qui adhèrent à la surface des rouleaux, aux orifices d'aération du moteur et aux tambours.

Limite d'affûtage pour les fers ordinaires (Fig. 26)

Ne pas utiliser un fer ordinaire si sa longueur est inférieure à 4 mm.

Pour maintenir la SÉCURITÉ et la FIABILITÉ du produit, les réparations, travaux d'entretien et autres réglages doivent être effectués dans un centre de service après-vente Makita agréé, exclusivement avec des pièces de rechange Makita.

ACCESSOIRES

ATTENTION :

- Ces accessoires ou pièces complémentaires sont recommandés pour l'utilisation avec l'outil Makita spécifié dans ce mode d'emploi. L'utilisation de tout autre accessoire ou pièce complémentaire peut comporter un risque de blessure. N'utilisez les accessoires ou pièces qu'aux fins auxquelles ils ont été conçus.

Si vous désirez obtenir plus de détails concernant ces accessoires, veuillez contacter le centre de service après-vente Makita le plus près.

- Support magnétique
- Fer jetable
- Fer ordinaire
- Jauge de fer
- Clé à douille 9
- Clé hexagonale 2,5
- Capot
- Support

Bruit

Niveau de bruit pondéré A typique, déterminé selon EN61029 :

Niveau de pression sonore (L_{pA}) : 86 dB (A)

Niveau de puissance sonore (L_{WA}) : 99 dB (A)

Incertitude (K) : 3 dB (A)

Porter des protecteurs anti-bruit

ENH037-1

Pour les pays d'Europe uniquement

Déclaration de conformité CE

Makita Corporation, en tant que fabricant responsable, déclare que la ou les machines suivantes :

Désignation de la machine : Raboteuse

N° de modèle / Type : 2012NB

sont produites en série et

sont conformes aux Directives européennes suivantes :

2006/42/CE

et qu'elles sont fabriquées conformément aux normes ou documents normalisés suivants :

EN12100-1, IEC61029, EN860

Le Certificat d'examen de type CE N° 10-SKM-CM-0523

L'examen de type CE, selon la directive 2006/42/CE, a été effectué par :

Inspecta Sweden AB

Casier postal 30100

SE-104 25 STOCKHOLM, Suède

N° d'identification 0409

La documentation technique est conservée par notre représentant agréé en Europe, à savoir :

Makita International Europe Ltd.

Michigan Drive, Tongwell,

Milton Keynes, MK15 8JD, Angleterre

3.3.2010




Tomoyasu Kato
Directeur

Makita Corporation
3-11-8, Sumiyoshi-cho,
Anjo, Aichi, JAPAN

Übersicht

1 Tragegriff	15 Anschlagknopf	29 Messerlehre
2 Hilfstisch	16 Tischoberseite	30 Absaughaubensatz
3 Schraube	17 Sicherungsplatte	31 Späneabdeckung
4 Kontrolllampe	18 Riemenscheibe	32 Lineal
5 Schalter	19 Messerwelle	33 Postkarte
6 Kurbel	20 Kette	34 Einstellschraube
7 Skala	21 Rändelschraube	35 Inbusschlüssel
8 Hauptrahmen	22 Messerbefestigungsschraube	36 Verschleißgrenze
9 Höhenzeiger	23 Halteplatte	37 Bürstenhalterkappe
10 Tiefenanschlag	24 Magnethalter	38 Schraubendreher
11 Führungsnut	25 Messer	39 Säule
12 Tiefeneinstelllehre	26 Klaue	40 Basis
13 Anschlag	27 Steckschlüssel	41 Mehr als 4 mm
14 Anschlagtaste	28 Schraube	

TECHNISCHE DATEN

Modell	2012NB
Schnittbreite	304 mm
Max. Schnitttiefe	3,0 mm bei einer Materialbreite von weniger als 150 mm 1,5 mm bei Materialbreiten von 150 mm bis 240 mm 1,0 mm bei Materialbreiten von 240 mm bis 304 mm
Vorschubgeschwindigkeit (min ⁻¹)	8,5 m
Tischgröße (B x L)	304 mm x 771 mm
Leerlaufdrehzahl (min ⁻¹)	8 500
Gesamtlänge (B x L x H)	483 mm x 771 mm x 401 mm
Nettogewicht	28,1 kg
Sicherheitsklasse	 /II

- Wir behalten uns vor, Änderungen im Zuge der Entwicklung und des technischen Fortschritts ohne vorherige Ankündigung vorzunehmen.
- Die technischen Daten können von Land zu Land abweichen.
- Gewicht nach EPTA-Verfahren 01/2003

Die für dieses Gerät verwendete Netzsteckdose muss durch eine Sicherung oder einen Schutzschalter mit trägen Auslösungseigenschaften geschützt sein.

GEA010-1

ENE001-1

Vorgesehene Verwendung

Diese Maschine ist für das Hobeln von Holz vorgesehen.

ENF002-1

Stromversorgung


Die Maschine darf nur an die auf dem Typenschild angegebene Spannung angeschlossen werden und arbeitet nur mit Einphasen-Wechselspannung. Sie ist entsprechend den Europäischen Richtlinien doppelt schutzisoliert und kann daher auch an Steckdosen ohne Erdungskabel angeschlossen werden.

ENF100-1

Für öffentliche Niederspannungs-Verteilungssysteme mit einer Spannung zwischen 220 und 250 V

Schaltvorgänge von Elektrogeräten verursachen Spannungsschwankungen. Der Betrieb dieses Gerätes unter ungünstigen Netzstrombedingungen kann sich nachteilig auf den Betrieb anderer Geräte auswirken. Bei einer Netzstromimpedanz von 0,38 Ohm oder weniger ist anzunehmen, dass keine negativen Effekte auftreten.

Allgemeine Sicherheitswarnungen für Elektrowerkzeuge

 **WARNUNG Lesen Sie alle Sicherheitswarnungen und Anweisungen durch.** Eine Missachtung der unten aufgeführten Warnungen und Anweisungen kann zu einem elektrischen Schlag, Brand und/oder schweren Verletzungen führen.

Bewahren Sie alle Warnungen und Anweisungen für spätere Bezugnahme auf.

GE0066-1

SICHERHEITSWARNUNGEN FÜR DICKENHOBEL

1. Tragen Sie stets eine Schutzbrille.
2. Tragen Sie erforderlichenfalls geeignete Schutzvorrichtungen, wie Gehörschutz (Ohrenstöpsel), Atemschutz (Staubmaske) und Handschuhe bei der Handhabung von rauem Material.
3. Benutzen Sie die Maschine nicht in Gegenwart von brennbaren Flüssigkeiten oder Gasen.

4. Vergewissern Sie sich vor der Inbetriebnahme, dass alle Abdeckungen installiert sind.
5. Behandeln Sie die Messer mit größter Sorgfalt.
6. Überprüfen Sie die Messer vor dem Betrieb sorgfältig auf Risse oder Beschädigung. Wechseln Sie gerissene oder beschädigte Messer unverzüglich aus.
7. Ziehen Sie die Hobelmesser-Befestigungsschrauben sicher fest.
8. Das Werkstück sollte vor der Bearbeitung von Nägeln befreit und gesäubert werden. Nägel, Sand oder Fremdkörper können Messerschäden verursachen.
9. Unterlassen Sie das Reinigen des Spanauswurfs bei laufendem Motor. Reinigen Sie den Spanauswurf erst, nachdem die Messer zu vollständigem Stillstand gekommen sind. Verwenden Sie stets einen Stock usw. zum Entfernen von Spänen.
10. Lassen Sie die Maschine nicht unbeaufsichtigt laufen.
11. Behandeln Sie das Kabel sorgfältig. Reißen Sie niemals am Netzkabel, um es von der Netzsteckdose zu trennen. Halten Sie das Netzkabel von Hitze, Öl, Wasser und scharfen Kanten fern.
12. Die Maschine sollte nur für Holz und ähnliche Materialien verwendet werden.

BEWAHREN SIE DIESE HINWEISE SORGFÄLTIG AUF.

⚠️ WARNUNG:

Lassen Sie sich NICHT durch Bequemlichkeit oder Vertrautheit mit dem Produkt (durch wiederholten Gebrauch erworben) von der strikten Einhaltung der Sicherheitsregeln für das vorliegende Produkt abhalten. MISSBRAUCH oder Missachtung der Sicherheitsvorschriften in dieser Anleitung können schwere Verletzungen verursachen.

INSTALLATION

Tragen und Transportieren des Dickenhobels (Abb. 1)

⚠️ VORSICHT:

- Achten Sie beim Tragen der Maschine auf Hindernisse.

Klappen Sie die Hilfstische hoch. Halten Sie die Maschine zum Tragen an den Tragegriffen.

Sichern Sie die Maschine bei Fahrzeugtransport mit einem Seil oder anderen geeigneten Mitteln, um Umkippen oder Verrutschen zu verhindern.

Aufstellen des Dickenhobels (Abb. 2)

Stellen Sie die Maschine an einem gut beleuchteten und ebenen Platz auf, der einen sicheren Stand und gutes Gleichgewicht gewährleistet. Verschrauben Sie die Maschine durch die Schraubenlöcher in der Grundplatte mit der Werkbank oder dem Hobelständer (Sonderzubehör).

FUNKTIONSBESCHREIBUNG

⚠️ VORSICHT:

- Vergewissern Sie sich vor jeder Einstellung oder Funktionsprüfung der Maschine stets, dass sie ausgeschaltet und vom Stromnetz getrennt ist.

Schalterfunktion (Abb. 3)

⚠️ VORSICHT:

- Vergewissern Sie sich vor dem Anschließen der Maschine an das Stromnetz stets, dass die Maschine ausgeschaltet ist. Die Kontrolllampe leuchtet auf, wenn die Maschine an die Stromquelle angeschlossen wird.

Zum Einschalten der Maschine die Taste ON (I) drücken. Zum Ausschalten die Taste OFF (O) drücken.

Maßeinstellung (Abb. 4)

Senken Sie den Hauptrahmen durch Linksdrehen der Kurbel ab, bis der Höhenzeiger auf den Skalenstrich des gewünschten Endmaßes zeigt. Bei einer vollen Umdrehung der Kurbel wird der Hauptrahmen um 2 mm angehoben bzw. abgesenkt. Die Skala weist Zollteilung auf der rechten Seite und metrische Teilung auf der linken Seite auf.

Einstellen der Spantiefe

Die maximale Spantiefe hängt von der Breite des zu schneidenden Werkstücks ab. Nehmen Sie die Tabelle zu Hilfe. Wenn der Schnittbetrag größer als der in der Tabelle angegebene Betrag ist, stellen Sie die Spantiefe kleiner als den Betrag ein, und führen Sie zwei oder mehr Durchgänge aus.

Breite des zu schneidenden Werkstücks	Maximale Spantiefe
Weniger als 150 mm	3,0 mm
150 mm – 240 mm	1,5 mm
240 mm – 304 mm	1,0 mm

Stellen Sie die Spantiefe folgendermaßen ein.

Führen Sie das Werkstück flach auf der Tischoberseite liegend ein. Den Hauptrahmen durch Linksdrehen der Kurbel absenken. Der Tiefenanschlag hebt sich, und der Hubbetrag zeigt die Spantiefe an. (Abb. 5)

⚠️ VORSICHT:

- Senken Sie stets den Hauptrahmen ab, um den Höhenzeiger auf den Teilstrich des gewünschten Endmaßes auszurichten. Wenn Sie den Hauptrahmen auf das gewünschte Endmaß anheben, kann zusätzliches Spiel im Schraubengang entstehen. Dadurch kann ein unerwünschtes Endmaß verursacht werden.
- Legen Sie das Werkstück immer flach auf den Tisch, um die Spantiefe festzulegen. Anderenfalls weicht die festgelegte Spantiefe von der tatsächlichen Spantiefe ab.

Tiefeneinstellehre (Abb. 6)

Verwenden Sie die Tiefeneinstellehre, wenn die Spantiefe genauer festgelegt werden muss. Gehen Sie dazu folgendermaßen vor.

1. Das Werkstück zuerst mit der festgelegten Spantiefe hobeln. Die Dicke des gehobelten Stücks messen, um festzustellen, wie viel mehr Material noch abgetragen werden muss.

2. Die Tiefeneinstellehre an der Kurbel drehen, bis der Nullstrich auf die Nut der Maschine ausgerichtet ist.
3. Nun die Kurbel entgegen dem Uhrzeigersinn drehen, bis der Teilstrich der gewünschten Spantiefe auf die Nut der Maschine ausgerichtet ist.
4. Wenn der Betrag des abzutragenden Materials größer als der Betrag ist, welcher in der im Abschnitt "Einstellen der Spantiefe" erwähnten Tabelle angegeben ist, stellen Sie die Spantiefe kleiner als den Betrag ein, und führen Sie zwei oder mehr Durchgänge aus.

Anschlag (Abb. 7)

Verwenden Sie den Anschlag, wenn Sie viele Werkstücke auf die gleiche Dicke hobeln müssen. Gehen Sie dazu folgendermaßen vor.

1. Die Kurbel drehen, bis der Höhenzeiger auf den Skalenstrich ausgerichtet ist, der das gewünschte Endmaß anzeigt.
2. Die Anschlagtaste drücken, um den Anschlag abzusenken, bis er die Tischoberseite leicht berührt.
3. Wenn eine Feineinstellung des Anschlags erforderlich ist, den Anschlagknopf drehen.

VORSICHT:

- Wenn der Anschlag nicht benutzt wird, ist er stets auf die Hochstellung anzuheben. Drehen Sie die Kurbel niemals gewaltsam weiter, wenn der Anschlag mit der Tischoberseite in Berührung ist. Anderenfalls kann die Maschine beschädigt werden.

MONTAGE

VORSICHT:

- Vergewissern Sie sich vor der Ausführung von Arbeiten an der Maschine stets, dass sie ausgeschaltet und vom Stromnetz getrennt ist.

Auswechseln der Messer

VORSICHT:

- Lassen Sie beim Demontieren oder Montieren der Messer größte Sorgfalt walten, um Schnitte oder Verletzungen zu verhüten und Beschädigung der Messer zu vermeiden. Die Messer sind sehr scharf.
- Entfernen Sie an der Messerwelle oder den Messern haftende Späne, Staub, Teer oder Fremdkörper restlos, bevor Sie die Messer montieren.
- Achten Sie darauf, dass die Messer die gleichen Abmessungen und das gleiche Gewicht haben, weil es anderenfalls zu Schwingungen oder Vibrationen der Messerwelle kommt, die eine schlechte Schnittleistung verursachen und schließlich zu einem Ausfall der Maschine führen.
- Wechseln Sie beide Messer gleichzeitig aus.
- Die Messer in Einwegausführung sind zweiseitig. Wenn die eine Schneide stumpf wird, kann die andere Schneide verwendet werden. Säubern Sie die Rückseite des Messers stets von Harz und Schmutz, bevor Sie die andere Schneide verwenden. Dieses Messer darf nicht geschärft werden. Wenn beide Schneiden stumpf werden, ist das Messer vorschriftsmäßig zu entsorgen.

1. Demontieren der Messer

Die Rändelschraube, mit der die Späneabdeckung befestigt ist, lösen, und die Späneabdeckung abnehmen. Die Schrauben, mit denen die rechte Seitenabdeckung befestigt ist, entfernen. Dann die rechte Seitenabdeckung abnehmen. Die Riemenscheibe drehen, bis die Messerwelle in der Position arretiert werden kann, in der die Messerbefestigungsschrauben nach oben weisen. (Abb. 8)

Nur für Einwegmesser

Die zwei Magnethalter auf die Halteplatte setzen und in Pfeilrichtung schieben, bis die Klauen das Messer berühren. Die sechs Messerbefestigungsschrauben mit dem Steckschlüssel entfernen. Die Magnethalter mit festem Griff gerade hochheben, um die Halteplatte und das Messer von der Messerwelle abzunehmen. Die Sicherungsplatte hineindrücken und die Riemenscheibe um 180° drehen, um die Messerwelle zu verriegeln. Das andere Messer wie oben beschrieben entfernen. (Abb. 9 u. 10)

Nur für Standardmesser

Die sechs Messerbefestigungsschrauben mit dem Steckschlüssel entfernen. Halteplatte und Messer gerade hochheben, um sie von der Messerwelle abzunehmen. Die Sicherungsplatte hineindrücken, und die Messerwelle an der Riemenscheibe um 180° drehen, um sie zu verriegeln. Das andere Messer wie oben beschrieben entfernen. Die Halteplatte vom Messer abnehmen. (Abb. 11 u. 12)

2. Montieren der Messer

VORSICHT:

- Verwenden Sie nur den mitgelieferten Makita-Steckschlüssel zum Festziehen der Messerbefestigungsschrauben. Bei Verwendung eines anderen Steckschlüssels besteht die Gefahr, dass die Schrauben zu fest oder unzureichend angezogen werden, was zu schweren Verletzungen führen kann.

Nur für Einwegmesser

Ein flaches Holzbrett von ca. 300 mm Länge und 100 mm Breite bereitstellen. Messer und Halteplatte so auf das Holzbrett legen, dass die Messerhalterseite der Halteplatte in der Nut des Messers sitzt. Die Halteplatte so einstellen, dass beide Enden des Messers ungefähr 1 mm über die Endkanten der Halteplatte überstehen. Die zwei Magnethalter auf die Halteplatte setzen und so verschieben, dass die Klaue das Messer berührt. (Abb. 13)

Die Magnethalter fassen, und den Vorsprung der Halteplatte in die Nut der Messerwelle schieben. Die Messerbefestigungsschrauben installieren. (Abb. 9) Nachdem alle Messerbefestigungsschrauben leicht und gleichmäßig von innen nach außen angezogen worden sind, müssen sie in der gleichen Reihenfolge völlig festgezogen werden. Die Magnethalter von der Halteplatte entfernen.

Das andere Messer wie oben beschrieben montieren. Drehen Sie die Messerwelle langsam, während Sie die Sicherungsplatte hineindrücken, um sicherzugehen, dass alles in Ordnung ist. Dann die Späneabdeckung und die Seitenabdeckung montieren. (Abb. 10)

⚠ VORSICHT:

- Vergewissern Sie sich vor dem Anziehen der Messerbefestigungsschrauben, dass die Messerhalterplatte der Halteplatte korrekt in der Nut des Messers sitzt. Anderenfalls kann es zu einer Beschädigung des Messers und zu einer Verletzung der Bedienungsperson kommen.
- Betreiben Sie die Maschine nicht ohne die Späneabdeckung.
- Achten Sie beim Montieren der Späneabdeckung darauf, dass die Kette nicht an der Späneabdeckung hängen bleibt.

Nur für Standardmesser

Legen Sie das Messer so auf die Messerlehre, dass die Schneide vollkommen an der Innenseite der vorderen Rippe (A) anliegt. Legen Sie die Halteplatte auf das Messer, und drücken Sie dann den Vorsprung der Halteplatte sachte gegen die Hinterkante der Messerlehre (B). Ziehen Sie die Schrauben an, um die Halteplatte fest mit dem Messer zu verbinden. **(Abb. 14)**

Führen Sie den Vorsprung der Halteplatte in die Führungsnut der Messerwelle ein. Die Messerbefestigungsschrauben installieren. **(Abb. 15)**

Nachdem alle Messerbefestigungsschrauben leicht und gleichmäßig von innen nach außen angezogen worden sind, müssen sie in der gleichen Reihenfolge völlig festgezogen werden. **(Abb. 16)**

Das andere Messer wie oben beschrieben montieren. Drehen Sie die Messerwelle langsam, während Sie die Sicherungsplatte hineindrücken, um sicherzugehen, dass alles in Ordnung ist. Dann die Späneabdeckung und die Seitenabdeckung montieren.

⚠ VORSICHT:

- Ziehen Sie die Messerbefestigungsschrauben bei der Montage des Messers einwandfrei fest.
- Betreiben Sie die Maschine nicht mit offener Späneabdeckung.
- Achten Sie beim Montieren der Späneabdeckung darauf, dass die Kette nicht an der Späneabdeckung hängen bleibt.

Wechseln des Messertyps

Diese Maschine akzeptiert Einwegmesser und Standardmesser. Wenn Sie den Messertyp wechseln möchten, müssen Sie die folgenden Teile kaufen und verwenden.

Wechsel von Standardmesser zu Einwegmesser		Wechsel von Einwegmesser zu Standardmesser	
Halteplatte	2 Stück	Halteplatte	2 Stück
Einwegmesser (306 mm)	2 Stück	Flachkopfschraube M 4 x 6	4 Stück
Magnethalter	2 Stück	Standardmesser	2 Stück
		Messerlehre	1 Stück

Absaughaubensatz (Abb. 17)

Um sauberes Arbeiten durch effektive Staubabsaugung zu gewährleisten, schließen Sie die Absaugvorrichtung mit Hilfe dieser Haube an den Dickenhobel an.

Lösen Sie die Rändelschrauben, mit denen die Späneabdeckung befestigt ist. Bringen Sie die Absaughaube am Dickenhobel an, und schließen Sie Späneabdeckung und Absaughaube durch Anziehen der Rändelschrauben zusammen.

⚠ VORSICHT:

- Achten Sie beim Montieren des Absaughaubensatzes darauf, dass die Kette nicht an der Späneabdeckung oder dem Absaughaubensatz hängen bleibt. **(Abb. 18)**

BETRIEB

⚠ VORSICHT:

- Zwei oder mehr schmale Werkstücke von ähnlicher Dicke können nebeneinander in den Dickenhobel eingelegt werden. Halten Sie jedoch einen gleichgroßen Abstand zwischen den Werkstücken ein, damit die Vorschubwalzen das dünnste Stück erfassen können. Anderenfalls besteht die Gefahr, dass ein geringfügig dünneres Stück durch den Messerkopf zurückgeschlagen wird.

Legen Sie das Werkstück flach auf die Tischoberseite.

Legen Sie die Spantiefe gemäß der vorherigen Beschreibung fest.

Schalten Sie die Maschine ein und warten Sie, bis die Messerwelle ihre volle Drehzahl erreicht. Das Werkstück darf beim Einschalten der Maschine nicht mit der Vorschubwalze in Berührung sein.

Führen Sie dann das Werkstück flach auf dem Tisch liegend ein.

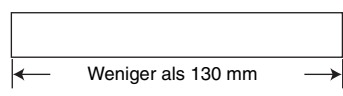
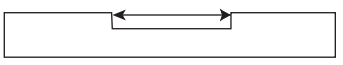
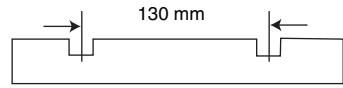
Wenn Sie ein langes oder schweres Werkstück hobeln, heben Sie das Ende des Werkstücks am Anfang und Ende der Bearbeitung leicht an, um Auskehlen oder Schnippeln an den äußersten Enden des Werkstücks zu vermeiden.

(Abb. 19)

Die Verwendung der Maschinenoberseite ermöglicht eine schnelle und mühelose Rückführung des Werkstücks zur Einschubtischseite. Dies ist besonders dann zweckmäßig, wenn mit zwei Personen gearbeitet wird. **(Abb. 20)**

VORSICHT:

- Werkstücke mit den folgenden Abmessungen können nicht in die Maschine eingeführt werden, weil der Abstand zwischen den beiden Vorschubwalzen 129 mm beträgt. Versuchen Sie nicht, solche Werkstücke zu schneiden.

1		Weniger als 130 mm Länge
2		Mit einer Nut von mehr als 130 mm Breite
3		Mit Nuten im Abstand von 130 mm

- Schalten Sie die Maschine aus, falls das Werkstück hängen bleibt. Wenn Sie die Maschine mit klemmendem Werkstück weiterlaufen lassen, führt dies zu beschleunigtem Verschleiß der Vorschubwalzen.

WARTUNG

VORSICHT:

- Denken Sie vor der Durchführung von Überprüfungen oder Wartungsarbeiten stets daran, die Maschine auszuschalten und vom Stromnetz zu trennen.
- Verwenden Sie auf keinen Fall Benzin, Benzol, Verdünnern, Alkohol oder dergleichen. Solche Mittel können Verfärbung, Verformung oder Rissbildung verursachen.

Einstellen der Höhe des Hilfstisches

(Abb. 21 u. 22)

Die Höhe des Hilfstisches ist werksseitig voreingestellt. Falls eine zusätzliche Einstellung notwendig ist, gehen Sie folgendermaßen vor.

Eine Postkarte auf den Tisch legen, und dann ein Lineal auf die Postkarte legen. Die Einstellschraube mit dem Inbusschlüssel drehen, bis das Ende des Hilfstisches das Lineal berührt. Jetzt liegt das Ende des Hilfstisches 0,1 mm bis 0,3 mm über der Tischoberfläche.

Auswechseln der Kohlebürsten (Abb. 23 u. 24)

Die Kohlebürsten müssen regelmäßig entfernt und überprüft werden. Wenn sie bis zur Verschleißgrenze abgenutzt sind, müssen sie erneuert werden. Halten Sie die Kohlebürsten stets sauber, damit sie ungehindert in den Haltern gleiten können. Beide Kohlebürsten sollten gleichzeitig erneuert werden. Verwenden Sie nur identische Kohlebürsten.

Drehen Sie die Bürstenhalterkappen mit einem Schraubendreher heraus. Nehmen Sie die abgenutzten Kohlebürsten heraus, setzen Sie die neuen ein, und drehen Sie dann die Bürstenhalterkappen wieder ein.

Schärfen der Messer

Stumpfe Messer können eine raue Oberfläche, eine Überlastung des Motors und gefährlichen Rückschlag des Werkstücks verursachen. Wechseln Sie stumpfe Messer unverzüglich aus.

Schmierung (Abb. 25)

Ölen Sie die Kette (nach Entfernen der Seitenabdeckung R), die vier Säulen und die Schrauben zum Anheben des Hauptrahmens. Für diese regelmäßige Schmierung sollte Maschinenöl verwendet werden.

VORSICHT:

- Vor der Durchführung von Schmier- und Wartungsarbeiten ist die Maschine grundsätzlich auszuschalten und vom Stromnetz zu trennen.

Reinigen

Reinigen Sie die Walzenoberflächen, die Entlüftungsöffnungen des Motors und die Messerwelle regelmäßig von Schmutz, Spänen und Fremdkörpern.

Grenze für die Schärfung des Standardmessers

(Abb. 26)

Verwenden Sie kein Standardmesser, dessen Länge unter 4 mm liegt.

Um die SICHERHEIT und ZUVERLÄSSIGKEIT dieses Produkts zu gewährleisten, sollten Reparaturen und andere Wartungs- oder Einstellarbeiten nur von autorisierten Makita-Kundendienstzentren unter ausschließlicher Verwendung von Makita-Originalersatzteilen werden.

ZUBEHÖR

VORSICHT:

- Die folgenden Zubehörteile oder Vorrichtungen werden für den Einsatz mit der in dieser Anleitung beschriebenen Makita-Maschine empfohlen. Die Verwendung anderer Zubehörteile oder Vorrichtungen kann eine Verletzungsgefahr darstellen. Verwenden Sie Zubehörteile oder Vorrichtungen nur für ihren vorgesehenen Zweck.

Wenn Sie weitere Einzelheiten bezüglich dieser Zubehörteile benötigen, wenden Sie sich bitte an Ihre Makita-Kundendienststelle.

- Magnethalter
- Einwegmesser
- Standardmesser
- Messerlehre
- Steckschlüssel 9
- Inbusschlüssel 2,5
- Absaughaubensatz
- Ständer

Geräusch

Typischer A-bewerteter Geräuschpegel ermittelt gemäß EN61029:

Schalldruckpegel (L_{pA}): 86 dB (A)
 Schalleistungspegel (L_{WA}): 99 dB (A)
 Ungewissheit (K): 3 dB (A)

Gehörschutz tragen

ENH037-1

Nur für europäische Länder

EG-Übereinstimmungserklärung

Wir, die Firma Makita als verantwortlicher Hersteller, erklären, dass die folgende(n) Makita-Maschine(n):

Bezeichnung der Maschine: Dickenhobel

Modell-Nr./ Typ: 2012NB

der Serienproduktion entstammen und

den folgenden europäischen Richtlinien entsprechen:

2006/42/EG

und gemäß den folgenden Standards oder standardisierten Dokumenten hergestellt werden:

EN12100-1, IEC61029, EN860

EG-Baumusterprüfbescheinigung Nr. 10-SKM-CM-0523

Die EG-Baumusterprüfung nach 2006/42/EG wurde durchgeführt von:

Inspecta Sweden AB

PO Box 30100

SE-104 25 STOCKHOLM, Schweden

Identifizierungs-Nr. 0409

Die technische Dokumentation befindet sich im Bestand unserer autorisierten Vertretung in Europa, nämlich:

Makita International Europe Ltd.

Michigan Drive, Tongwell,

Milton Keynes, MK15 8JD, England

3.3.2010




Tomoyasu Kato
Direktor

Makita Corporation
3-11-8, Sumiyoshi-cho,
Anjo, Aichi, JAPAN

Visione generale

1 Manico di trasporto	15 Ghiera fermo	29 Calibro lama
2 Tavola secondaria	16 Piano tavola	30 Gruppo cofano
3 Bullone o vite	17 Piastra di bloccaggio	31 Coperchio trucioli
4 Spia di alimentazione	18 Puleggia	32 Righello
5 Interruttore	19 Tamburo	33 Cartolina
6 Manovella	20 Catena	34 Vite di regolazione
7 Scala	21 Vite a galletto	35 Chiave esagonale
8 Telaio principale	22 Bullone di installazione lama	36 Segno di limite
9 Piastrina di indicazione	23 Piastra di fissaggio	37 Tappo portaspazzola
10 Spessimetro	24 Sostegno magnetico	38 Cacciavite
11 Scanalatura	25 Lama	39 Colonna
12 Calibro di regolazione profondità	26 Dente	40 Base
13 Fermo	27 Chiave a bussola	41 Oltre 4 mm
14 Tasto fermo	28 Vite	

DATI TECNICI

Modello	2012NB
Larghezza di taglio	304 mm
Profondità massima di taglio	3,0 mm per assi con larghezza inferiore ai 150 mm 1,5 mm per assi con larghezza dai 150 mm ai 240 mm 1,0 mm per assi con larghezza dai 240 mm ai 304 mm
Velocità di avanzamento (min ⁻¹)	8,5 m
Dimensioni tavola (Larg. x Lung.)	304 mm x 771 mm
Velocità senza carico (min ⁻¹)	8.500
Lunghezza totale (Larg. x Lung. x Alt.)	483 mm x 771 mm x 401 mm
Peso netto	28,1 kg
Classe di sicurezza	 /II

- Per il nostro programma di ricerca e sviluppo continui, i dati tecnici sono soggetti a modifiche senza preavviso.
- I dati tecnici potrebbero differire a seconda del paese di destinazione del modello.
- Peso in base alla procedura EPTA 01/2003

La presa di corrente usata per questo dispositivo deve essere protetta da un fusibile o da un interruttore di circuito con basse caratteristiche di scatto.

GEA010-1

Utilizzo previsto

L'utensile serve a piallare il legno.

ENE001-1

Alimentazione

L'utensile deve essere collegato ad una presa di corrente con la stessa tensione indicata sulla targhetta del nome, e può funzionare soltanto con la corrente alternata monofase. Esso ha un doppio isolamento in osservanza alle norme europee, per cui può essere usato con le prese di corrente sprovviste della messa a terra.


ENF002-1

ENF100-1

Per i sistemi della rete pubblica di distribuzione a bassa tensione da 220 V a 250 V

Le operazioni di accensione e spegnimento degli apparecchi elettrici causano fluttuazioni di tensione. L'utilizzo di questo dispositivo in condizioni inadatte di corrente potrebbe avere effetti negativi sul funzionamento di altri apparecchi. Con una impedenza delle rete uguale o inferiore a 0,38 ohm, si può presumere che non ci siano effetti negativi.

Avvertimenti generali per la sicurezza dell'utensile elettrico

 **AVVERTIMENTO Leggere tutti gli avvertimenti per la sicurezza e le istruzioni.** La mancata osservanza degli avvertimenti e delle istruzioni può causare scosse elettriche, incendio e/o gravi incidenti.

Conservare tutti gli avvertimenti e le istruzioni per riferimenti futuri.

GEA066-1

AVVERTIMENTI PER LA SICUREZZA PER LA PIALLA A SPESSORE

1. **Indossare occhiali di protezione.**
2. **Quando necessario, usare gli accessori di protezione, come la protezione per le orecchie (tappi), protezione per la respirazione (mascherina anti-polvere) e guanti per il maneggiamento dei materiali grezzi.**
3. **Non usare l'utensile dove ci sono liquidi o gas infiammabili.**
4. **Accertarsi che tutti i coperchi siano installati in posizione prima di cominciare il lavoro.**
5. **Maneggiare le lame con molta cura.**

6. Prima del lavoro, controllare con cura che sulle lame non ci siano crepe od altri danni. Sostituire immediatamente le lame se ci sono crepe o danni.
7. Stringere saldamente i bulloni di installazione delle lame della pialla a spessore.
8. Togliere i chiodi e pulire il pezzo prima di tagliarlo. I chiodi, la sabbia o le sostanze estranee possono danneggiare le lame.
9. Non togliere i trucioli dallo scivolo trucioli mentre il motore gira. Togliere i trucioli dopo che le lame si sono arrestate completamente. Per toglierli, usare sempre un'asticciola, ecc.
10. Non allontanarsi dall'utensile in moto.
11. Non maltrattare il cavo di alimentazione. Mai staccarlo dalla presa di corrente tirandolo. Tenerlo lontano dal calore, olio, acqua e bordi affilati.
12. Questo utensile deve essere usato soltanto per il legno e altri materiali simili.

CONSERVARE QUESTE ISTRUZIONI.

⚠ AVVERTIMENTO:

NON lasciare che la comodità o la familiarità d'utilizzo con il prodotto (acquisita con l'uso ripetuto) sostituisca la stretta osservanza delle norme di sicurezza per il prodotto stesso. L'utilizzo SBAGLIATO o la mancata osservanza delle norme di sicurezza di questo manuale di istruzioni potrebbero causare lesioni serie.

INSTALLAZIONE

Spostamento e trasporto della pialla a spessore (Fig. 1)

⚠ ATTENZIONE:

- Stare attenti ai piedi quando si sposta l'utensile.

Ripiegare le tavole secondarie. Per trasportare l'utensile, prenderlo per i manici.

Per trasportarlo con un automezzo, fissarlo con una fune od altro materiale adatto per impedire che si rovesci o si sposti.

Posizionamento della pialla a spessore (Fig. 2)

Sistemare l'utensile in un posto ben illuminato e piano, dove si possa mantenere un buon appoggio per i piedi e il bilanciamento del corpo. Fissarlo al banco di lavoro o al supporto per pialla a spessore (accessorio opzionale) con bulloni/viti usando i fori per i bulloni della base.

DESCRIZIONE FUNZIONALE

⚠ ATTENZIONE:

- Accertarsi sempre che l'utensile sia spento e staccato dalla presa di corrente prima di regolare o di controllare il suo funzionamento.

Funzionamento dell'interruttore (Fig. 3)

⚠ ATTENZIONE:

- Prima di staccare l'utensile dalla presa di corrente, accertarsi sempre che sia spento. La spia di alimentazione si accende quando si collega l'utensile alla presa di corrente.

Per avviare l'utensile, premere il tasto ON (I). Per fermarlo, premere il tasto OFF (O).

Regolazione dimensionale (Fig. 4)

Abbassare il telaio principale girando la manovella in senso antiorario finché la piastrina di indicazione non indica la dimensione di finitura desiderata sulla scala graduata. Un giro completo della manovella sposta il telaio principale in su o in giù di 2 mm. La scala ha le graduazioni in pollici sul lato destro, e in centimetri sul lato sinistro.

Regolazione della profondità di taglio

La profondità massima di taglio differisce secondo la larghezza del pezzo da tagliare. Riferirsi alla tabella. Se è necessario rimuovere una quantità maggiore di quella specificata nella tabella, regolare una profondità di taglio inferiore a tale quantità e procedere con due o più passaggi.

Larghezza del pezzo da tagliare	Profondità massima di taglio
Inferiore ai 150 mm	3,0 mm
150 mm – 240 mm	1,5 mm
240 mm – 304 mm	1,0 mm

Per regolare la profondità di taglio, procedere come segue.

Inserire il pezzo piatto sul piano tavola. Abbassare il telaio principale girando la manovella in senso antiorario. Lo spessore si alza e l'entità di sollevamento dello spessore indica la profondità di taglio. (Fig. 5)

⚠ ATTENZIONE:

- Abbassare sempre il telaio principale allineando la piastrina di indicazione con le graduazioni della dimensione finale desiderata. Se si alza il telaio principale fino alla dimensione finale desiderata, si potrebbe verificare un gioco addizionale della vite. Ciò potrebbe causare una dimensione finale indesiderata.
- Mettere sempre il pezzo piatto sul piano tavola per predeterminare la profondità di taglio. In caso contrario, la profondità di taglio predeterminata differisce dalla profondità di taglio reale.

Calibro di regolazione profondità (Fig. 6)

Usare il calibro di regolazione profondità per predeterminare più accuratamente la profondità di taglio. A tale scopo, procedere come segue.

1. Piallare prima il pezzo fino alla profondità di taglio predeterminata. Misurare lo spessore del pezzo piallato per vedere quanto altro materiale bisogna rimuovere.
2. Girare il calibro di regolazione profondità sulla manovella finché la graduazione 0 è allineata con la scanalatura dell'utensile.
3. Girare ora la manovella in senso antiorario finché la graduazione della profondità di taglio desiderata è allineata con la scanalatura dell'utensile.
4. Se è necessario rimuovere una quantità maggiore di quella specificata nella tabella menzionata nella sezione "Regolazione della profondità di taglio", regolare una profondità di taglio inferiore a tale quantità e procedere con due o più passaggi.

Fermo (Fig. 7)

Usare il fermo per piallare diversi pezzi con lo stesso spessore. A tale scopo, procedere come segue.

1. Girare la manovella finché la piastrina di indicazione indica la graduazione della scala della dimensione finale desiderata.
2. Schiacciare il tasto fermo e abbassare il fermo finché fa appena contatto con il piano tavola.
3. Se è necessaria la regolazione fine del fermo, girare la ghiera fermo.

⚠ ATTENZIONE:

- Quando non si usa il fermo, alzarlo sempre fino alla sua posizione più in alto. Non si deve mai forzare la manovella quando il fermo fa contatto con il piano tavola. Ciò potrebbe danneggiare l'utensile.

MONTAGGIO

⚠ ATTENZIONE:

- Accertarsi sempre che l'utensile sia spento e staccato dalla presa di corrente prima di qualsiasi intervento su di esso.

Sostituzione delle lame

⚠ ATTENZIONE:

- Maneggiare le lame con molta cura per installarle o rimuoverle, per evitare tagli o lesioni o di danneggiarle. Esse sono taglienti come rasoi.
- Prima di installare le lame, togliere tutti i trucioli, la polvere o le sostanze estranee attaccate al tamburo o alle lame.
- Usare lame delle stesse dimensioni e peso, perché altrimenti si potrebbe verificare l'oscillazione/vibrazione del tamburo con eventuale guasto conseguente dell'utensile.
- Sostituire entrambe le lame allo stesso tempo.
- La lama del tipo a perdere ha un bordo di taglio su entrambi i lati. Quando uno diventa smussato, si può usare l'altro bordo di taglio. Rimuovere sempre la resina e lo sporco attaccati al lato opposto della lama prima di usare l'altro bordo di taglio. La lama non deve essere riaffilata. Quando entrambi i bordi di taglio diventano smussati, la lama deve essere gettata via con cura.

1. Rimozione delle lame

Allentare le vite a galletto che fissa il coperchio trucioli e rimuovere il coperchio trucioli. Togliere le viti che fissano il coperchio laterale destro. Rimuovere poi il coperchio laterale destro. Girare la puleggia finché il tamburo può essere bloccato sulla posizione in cui i bulloni di installazione lame sono rivolti in alto. (Fig. 8)

Lame a perdere soltanto

Mettere i due sostegni magnetici sulla piastra di fissaggio e spingerli nella direzione della freccia finché il dente fa contatto con la lama. Togliere i sei bulloni di installazione lama usando la chiave a bussola. Afferrare i sostegni magnetici e sollevarli dritti in su per rimuovere la piastra di fissaggio e la lama dal tamburo. Premere la piastra di fissaggio e girare la puleggia di 180° per bloccare il tamburo. Rimuovere l'altra lama come descritto sopra. (Figg. 9 e 10)

Lame standard soltanto

Togliere i sei bulloni di installazione usando la chiave a bussola. Sollevare diritte la piastra di fissaggio e la lama per rimuoverle dal tamburo. Premere la piastra di bloccaggio e ruotare il tamburo girando la puleggia di 180° per bloccare il tamburo. Rimuovere l'altra lama come descritto sopra. Rimuovere la piastra di fissaggio dalla lama. (Figg. 11 e 12)

2. Installazione delle lame

⚠ ATTENZIONE:

- Per stringere i bulloni di installazione delle lame, usare soltanto la chiave a bussola Makita in dotazione. L'utilizzo di qualsiasi altra chiave a bussola potrebbe causare un serraggio eccessivo o insufficiente dei bulloni, con pericolo di lesioni gravi.

Lame a perdere soltanto

Procurarsi un blocco di legno piatto di circa 300 mm di lunghezza e 100 mm di larghezza. Mettere la lama e la piastra di fissaggio sul blocco di legno in modo che l'oggetto di posizionamento della lama della piastra di fissaggio venga a trovarsi nella scanalatura della lama.

Regolare la piastra di fissaggio in modo che entrambe le estremità della lama sporgano di circa 1 mm oltre la fine della piastra di fissaggio. Mettere i due sostegni magnetici sulla piastra di fissaggio e spingerli finché il dente fa contatto con la lama. (Fig. 13)

Afferrare il sostegno magnetico e inserire il tallone della piastra di fissaggio nella scanalatura del tamburo. Installare i bulloni di installazione lama. (Fig. 9) Dopo aver stretto leggermente e uniformemente dal centro all'esterno tutti i bulloni di installazione lama, stringerli completamente nello stesso ordine. Rimuovere i sostegni magnetici dalla piastra di fissaggio.

Installare l'altra lama come descritto sopra. Ruotare lentamente il tamburo premendo allo stesso tempo la piastra di fissaggio per accertarsi che non ci sia niente di anormale. Installare poi il coperchio trucioli e il coperchio laterale. (Fig. 10)

⚠ ATTENZIONE:

- Non stringere i bulloni di installazione lama senza che l'oggetto di posizionamento lama della piastra di fissaggio si trovi nella scanalatura della lama. Ciò potrebbe danneggiare la lama e costituire un pericolo potenziale di lesioni per l'operatore.
- Non avviare l'utensile con il coperchio trucioli rimosso.
- Installando il coperchio trucioli, accertarsi che la catena non venga agganciata dal coperchio trucioli.

Lame standard soltanto

Mettere la lama sul calibro lama con il suo bordo perfettamente a filo con l'interno della costola anteriore (A). Mettere la piastra di fissaggio sulla lama, e premere delicatamente il tallone della piastra di fissaggio a filo con il dorso del calibro lama (B). Stringere le viti per fissare la piastra di fissaggio alla lama. (Fig. 14)

Inserire il tallone della piastra di fissaggio nella scanalatura del tamburo. Installare i bulloni di installazione lama. (Fig. 15)

Dopo aver stretto tutti i bulloni di installazione lama leggermente e uniformemente dal centro all'esterno, stringerli tutti completamente nello stesso ordine. (Fig. 16)

Installare l'altra lama come descritto sopra. Ruotare lentamente il tamburo premendo allo stesso tempo la piastra di fissaggio per accertarsi che non ci sia niente di anormale. Installare poi il coperchio trucioli e il coperchio laterale.

⚠ ATTENZIONE:

- Stringere saldamente i bulloni di installazione lame quando si installano le lame.
- Non avviare l'utensile con il coperchio trucioli rimosso.

- Installando il coperchio trucioli, accertarsi che la catena non venga agganciata dal coperchio trucioli.

Cambiamento del tipo di lama

Questo utensile può utilizzare sia le lame a perdere che le lame standard. Se si desidera cambiare il tipo di lama, procurarsi e usare le parti seguenti.

Cambiamento dalla lama standard alla lama a perdere		Cambiamento dalla lama a perdere alla lama standard	
Piastra di fissaggio	2 pezzi	Piastra di fissaggio	2 pezzi
Lama a perdere (306 mm)	2 pezzi	Vite con testa a bottone M 4 x 6	4 pezzi
Sostegno magnetico	2 pezzi	Lama standard	2 pezzi
		Calibro lama	1 pezzo

Gruppo cofano (Fig. 17)

Se si desidera mantenere pulite le operazioni di lavoro con la facile raccolta della polvere, collegare l'aspiratore alla pialla a spessore usando questo cofano.

Allentare le viti a galletto che fissano il coperchio trucioli. Attaccare il cofano alla pialla a spessore e fissare insieme il coperchio trucioli e il cofano stringendo le viti a galletto.

⚠ ATTENZIONE:

Quando si installa il gruppo cofano, accertarsi che la catena non venga agganciata dal coperchio trucioli o dal gruppo cofano. (Fig. 18)

FUNZIONAMENTO

⚠ ATTENZIONE:

- Attraverso la pialla a spessore si possono far passare fianco a fianco due o più assi strette ma dello stesso spessore. Lasciare però un po' di spazio tra di esse, in modo da permettere ai rulli di avanzamento di afferrare il pezzo più sottile. In caso contrario, la testa di taglio potrebbe rimandare indietro un pezzo leggermente più sottile.

Mettere il pezzo piatto sul piano della tavola.

Determinare la profondità di taglio come descritto sopra.

Accendere l'utensile e aspettare finché le lame non hanno raggiunto la velocità massima. Il pezzo non deve fare contatto con il rullo di avanzamento quando si accende l'utensile.

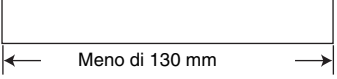
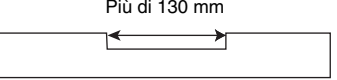
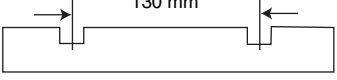
Inserire poi il pezzo a livello del piano della tavola.

Per tagliare un pezzo lungo e pesante, sollevarne leggermente l'estremità all'inizio e alla fine del taglio per evitare scanalature o intagli alle estremità del pezzo. (Fig. 19)

L'utilizzo della cima dell'utensile permette il ritorno veloce e senza sforzo del pezzo sul lato della tavola di alimentazione. Ciò è particolarmente comodo con due operatori. (Fig. 20)

⚠ ATTENZIONE:

- I pezzi delle dimensioni seguenti non possono essere alimentati nell'utensile perché l'intervallo tra due rulli di avanzamento è di 129 mm. Non provare a tagliarli.

1		Meno di 130 mm di lunghezza
2		Con una scanalatura di più di 130 mm di larghezza
3		Con scanalature a intervalli di 130 mm di larghezza

- Fermare l'utensile se il pezzo si è impiantato. Se si fa funzionare l'utensile con un pezzo impiantato, i rulli di avanzamento si usano rapidamente.

MANUTENZIONE

ATTENZIONE:

- Accertarsi sempre che l'utensile sia spento e staccato dalla presa di corrente prima di qualsiasi intervento di ispezione o di manutenzione.
- Mai usare benzina, benzene, solventi, alcol e altre sostanze simili. Potrebbero causare scolorimenti, deformazioni o crepe.

Regolazione dell'altezza della tavola secondaria (Figg. 21 e 22)

L'altezza della tavola secondaria è stata regolata in fabbrica. Se è necessaria una ulteriore regolazione, procedere come segue.

Mettere una cartolina sulla tavola e un righello sulla cartolina. Girare la vite di regolazione con la chiave esagonale finché l'estremità della tavola secondaria fa contatto con il righello. L'estremità della tavola secondaria è ora da 0,1 mm a 0,3 mm sopra la superficie della tavola.

Sostituzione delle spazzole di carbone (Figg. 23 e 24)

Rimuovere e controllare regolarmente le spazzole di carbone. Sostituirle quando sono consumate fino al segno di limite. Mantenere le spazzole di carbone pulite e libere di muoversi nei portaspazzole. Entrambe le spazzole di carbone devono essere sostituite allo stesso tempo. Usare soltanto spazzole di carbone identiche. Usare un cacciavite per rimuovere i tappi dei portaspazzole. Estrarre le spazzole di carbone consumate, inserire quelle nuove e fissare i tappi dei portaspazzole.

Mantenere le lame affilate

Le lame smussate causano una rifinitura ruvida, il sovraccarico del motore e dei contraccolpi pericolosi del pezzo. Sostituire immediatamente le lame smussate.

Lubrificazione (Fig. 25)

Oliare la catena (dopo aver rimosso il coperchio laterale R), le quattro colonne e le viti di sollevamento del telaio principale. Per la lubrificazione periodica, usare olio per ingranaggi.

ATTENZIONE:

- La lubrificazione e tutti gli interventi di manutenzione devono essere eseguiti con l'utensile spento e staccato dalla presa di corrente.

Pulizia

Togliere sempre lo sporco, i trucioli e le sostanze estranee attaccati alle superfici dei rulli, alle aperture di ventilazione del motore e ai tamburi.

Limite per riaffilare la lama standard (Fig. 26)

Non usare lama standard con una lunghezza della lama inferiore ai 4 mm.

Per mantenere la SICUREZZA e l'AFFIDABILITÀ del prodotto, le riparazioni e qualsiasi altro intervento di manutenzione o regolazione dovrebbero essere eseguiti da un Centro di Assistenza Makita o da un Centro Autorizzato, sempre utilizzando ricambi Makita.

ACCESSORI

ATTENZIONE:

- In questo manuale si consiglia di usare questi accessori o ricambi Makita. L'impiego di altri accessori o ricambi potrebbe costituire un pericolo di lesioni. Usare esclusivamente gli accessori o ricambi per il loro scopo specificato.

Per maggiori dettagli riguardo a questi accessori, rivolgersi a un centro di assistenza Makita.

- Sostegno magnetico
- Lama a perdere
- Lama standard
- Calibro lama
- Chiave a bussola 9
- Chiave esagonale 2,5
- Gruppo cofano
- Supporto

ENG905-1

Rumore

Il tipico livello di rumore pesato A determinato secondo EN61029:

Livello pressione sonora (L_{pA}): 86 dB (A)

Livello potenza sonora (L_{WA}): 99 dB (A)

Incertezza (K): 3 dB (A)

Indossare i paraorecchi

ENH037-1

Modello per l'Europa soltanto

Dichiarazione CE di conformità

Noi della Makita Corporation, come produttori responsabili, dichiariamo che le macchine Makita seguenti:

Designazione della macchina: Pialla a spessore

Modello No./Tipo: 2012NB

sono una produzione di serie e

conformi alle direttive europee seguenti:

2006/42/CE

E sono fabbricate conformemente ai seguenti standard o documenti standardizzati:

EN12100-1, IEC61029, EN860

Certificato dell'esame del tipo CE No. 10-SKM-CM-0523

L'esame del tipo CE per 2006/42/CE è stato eseguito da:

Inspecta Sweden AB

PO Box 30100

SE-104 25 STOCOLMA, Svezia

Identificazione No. 0409

La documentazione tecnica è tenuta dal nostro rappresentante autorizzato in Europa, che è:

Makita International Europe Ltd.

Michigan Drive, Tongwell,

Milton Keynes, MK15 8JD, England

3.3.2010




Tomoyasu Kato
Amministratore

Makita Corporation
3-11-8, Sumiyoshi-cho,
Anjo, Aichi, JAPAN

Verklaring van algemene gegevens

1 Draaghandvat	15 Stopper-afstelknop	29 Beitelmaat
2 Hulpblad	16 Bovenblad	30 Stofkap
3 Bout of schroef	17 Sluitplaat	31 Spaankap
4 Controlelampje	18 Riemschijf	32 Lineaal
5 Aan/uit schakelaar	19 Beitelwals	33 Briefkaart
6 Slinger	20 Ketting	34 Stelschroef
7 Schaal	21 Vleugelschroef	35 Zeskantsleutel
8 Hoofdfreem	22 Klembout van beitel	36 Limietmarkering
9 Indicatieplaat	23 Montageplaat	37 Kap van koolborstelhouder
10 Dieptemaat	24 Magnetische houder	38 Schroevendraaier
11 Groef	25 Beitel	39 Kolom
12 Diepte-bijstelmaat	26 Klauw	40 Voetstuk
13 Stopper	27 Dopsleutel	41 Meer dan 4 mm
14 Stopperknop	28 Schroef	

TECHNISCHE GEGEVENS

Model	2012NB
Schaafbreedte	304 mm
Max. schaaftdiepte	3,0 mm voor werkstukbreedte van minder dan 150 mm 1,5 mm voor werkstukbreedte van 150 mm tot 240 mm 1,0 mm voor werkstukbreedte van 240 mm tot 304 mm
Aanvoersnelheid (min ⁻¹)	8,5 m
Bladafmetingen (B x L)	304 mm x 771 mm
Toerental onbelast (min ⁻¹)	8 500
Afmetingen (B x L x H)	483 mm x 771 mm x 401 mm
Netto gewicht	28,1 kg
Veiligheidsklasse	 /II

- In verband met ononderbroken research en ontwikkeling behouden wij ons het recht voor bovenstaande technische gegevens te wijzigen zonder voorafgaande kennisgeving.
- De technische gegevens kunnen van land tot land verschillen.
- Gewicht volgens de EPTA-procedure 01/2003

ENF001-1

Doeleinden van gebruik

Het gereedschap is bedoeld voor het schaven van hout.

ENF002-1

Stroomvoorziening

Het gereedschap mag alleen worden aangesloten op een stroombron van hetzelfde voltage als aangegeven op de naamplaat, en kan alleen op enkel-fase wisselstroom worden gebruikt. Het gereedschap is dubbel-geïsoleerd volgens de Europese standaard en kan derhalve ook op een niet-geaard stopcontact worden aangesloten.

ENF100-1

Voor openbare laagspanningsverdeelsystemen van tussen 220 V en 250 V

Schakelbedieningen van elektrische toestellen veroorzaken spanningssschommelingen. De bediening van dit gereedschap onder ongunstige lichtnetomstandigheden kan een nadelige invloed hebben op de bediening van andere apparatuur. Het kan worden aangenomen dat er geen negatieve effecten zullen zijn wanneer de netimpedantie gelijk is aan of minder is dan 0,38 Ohm.

Het stopcontact dat voor dit gereedschap wordt gebruikt, moet beveiligd zijn door een zekering of een stroomonderbreker met trage afschakelkarakteristieken.

GEA010-1

Algemene veiligheidswaarschuwingen voor elektrisch gereedschap

⚠ WAARSCHUWING Lees alle veiligheidswaarschuwingen en alle instructies. Het niet volgen van de waarschuwingen en instructies kan leiden tot elektrische schokken, brand en/of ernstig letsel.

Bewaar alle waarschuwingen en instructies om in de toekomst te kunnen raadplegen.

VEILIGHEIDSWAARSCHUWINGEN SPECIAAL VOOR EEN VANDIKTEBANK

1. Draag oogbescherming.
2. Draag zonnodig geschikte beschermuitrusting zoals oorbescherming (oorproppen), ademhalingsbescherming (stofmasker), en handschoenen wanneer u ruw materiaal hanteert.
3. Gebruik het gereedschap niet in de nabijheid van ontvlambare vloeistoffen of gassen.
4. Zorg dat alle beschermkappen op hun plaats zijn aangebracht alvorens het gereedschap te gebruiken.
5. Hanteer de schaaftbeitels uiterst voorzichtig.
6. Controleer de beitels vóór elk gebruik nauwkeurig op barsten of beschadiging. Vervang gebarsten of beschadigde beitels onmiddellijk.
7. Draai de klembouten van de schaaftbeitels stevig aan.
8. Verwijder eventuele spijkers uit het werkstuk en maak het werkstuk schoon alvorens te gaan schaven. Spijkers, zand of andere vreemde bestanddelen kunnen beschadiging van de beitels veroorzaken.
9. Verwijder de spanen niet uit de spaangoot terwijl de motor draait. Verwijder de spanen pas nadat de beitels volledig tot stilstand zijn gekomen. Gebruik altijd een stokje e.d. om de spanen uit de goot te verwijderen.
10. Laat het gereedschap niet achter terwijl het nog draait.
11. Misbruik de stroomkabel niet. Trek aan de stekker, en niet aan de kabel zelf, om hem uit het stopcontact te halen. Houd de kabel uit de buurt van hitte, olie, water, en scherpe randen.
12. Het gereedschap mag uitsluitend worden gebruikt voor hout en soortgelijke materialen.

BEWAAR DEZE VOORSCHRIFTEN.

⚠ WAARSCHUWING:

Laat u NIET misleiden door een vals gevoel van comfort en bekendheid met het gereedschap (na veelvuldig gebruik) en neem alle veiligheidsvoorschriften van het betreffende product altijd strikt in acht. VERKEERD GEBRUIK of het niet naleven van de veiligheidsvoorschriften in deze gebruiksaanwijzing kan leiden tot ernstige verwondingen.

INSTALLEREN

Verplaatsen en transporteren van de vandiktebank (Fig. 1)

⚠ LET OP:

- Let goed op uw stappen wanneer u het gereedschap verplaatst.

Vouw de hulpbladen op. Pak de draaghandvatten vast om het gereedschap te verplaatsen.

Wanneer u het gereedschap met een voertuig transporteert, zet het dan goed vast met een touw of iets dergelijks om te voorkomen dat het omkantelt of verschuift.

De vandiktebank installeren (Fig. 2)

Installeer het gereedschap in een goed verlichte plaats met een effen vloer waar u goede steun voor de voeten hebt en goed uw evenwicht kunt behouden. Gebruik de boutgaten in de voet van het gereedschap om het gereedschap door middel van bouten/schroeven te bevestigen op een werkbank of op de speciale standaard (los verkrijgbaar accessoire).

BESCHRIJVING VAN DE FUNCTIES

⚠ LET OP:

- Zorg altijd dat het gereedschap is uitgeschakeld en de stekker uit het stopcontact is verwijderd alvorens de functies af te stellen of te controleren.

Werking van de aan/uit schakelaar (Fig. 3)

⚠ LET OP:

- Controleer altijd of het gereedschap is uitgeschakeld voordat u de stekker in het stopcontact steekt. Het controlelampje brandt wanneer het gereedschap op de stroombron is aangesloten.

Druk op de ON (I) knop om het gereedschap te starten. Druk op de OFF (O) knop om het gereedschap te stoppen.

Dimensionale afstelling (Fig. 4)

Breng het hoofdfreem omlaag door de slinger naar links te draaien totdat de indicatieplaat wijst naar de schaalverdeling die overeenkomt met de gewenste afwerkingsmaat. Bij één volle omwenteling van de slinger gaat het hoofdfreem 2 mm omhoog of omlaag. De schaal heeft inch-verdelingen op de rechterzijde en metrieke verdelingen op de linkerzijde.

Instelling van de schaafdiepte

De maximale schaafdiepte hangt af van de breedte van het werkstuk. Raadpleeg de tabel. Als u dieper wilt schaven dan de dieptes in de tabel, stel dan in op een kleinere diepte en voer het werk in twee of meer schaaftbeurten uit.

Breedte van het te schaven werkstuk	Maximale schaafdiepte
Minder dan 150 mm	3,0 mm
150 mm – 240 mm	1,5 mm
240 mm – 304 mm	1,0 mm

Stel de schaafdiepte als volgt in.

Plaats het werkstuk plat op het blad. Breng het hoofdfreem omlaag door de slinger naar links te draaien. De dieptemaat zal omhooggaan en de schaafdiepte komt overeen met de afstand waarover de dieptemaat omhooggaat. (Fig. 5)

⚠ LET OP:

- Breng het hoofdfreem altijd omlaag wanneer u de indicatieplaat wilt uitlijnen met de schaalverdeling voor de gewenste afwerkingsmaat. Als u het hoofdfreem tot bij de gewenste afmeting omhoog brengt, kan er extra speling komen in de schroef. Dit kan leiden tot een ongewenste afwerkingsmaat.
- Plaats het werkstuk altijd plat op het blad wanneer u de schaafdiepte vooraf instelt. Als u dit niet nauwkeurig doet, kan de werkelijke schaafdiepte verschillen van de vooraf ingestelde schaafdiepte.

Diepte-bijstelmaat (Fig. 6)

Gebruik de diepte-bijstelmaat wanneer u de schaaftdiepte nauwkeuriger wilt instellen. Ga hierbij als volgt te werk.

1. Schaaft eerst het werkstuk met de vooraf ingestelde schaaftdiepte. Meet daarna de dikte van het geschaafde werkstuk om te bepalen hoeveel materiaal u nog dient af te schaven.
2. Draai de diepte-bijstelmaat op de slinger totdat de 0 schaalverdeling op één lijn staat met de groef op het gereedschap.
3. Draai vervolgens de slinger naar links totdat de schaalverdeling voor de gewenste schaaftdiepte op één lijn staat met de groef op het gereedschap.
4. Als u dieper dient te schaven dan de dieptes in de tabel in de paragraaf "Instelling van de schaaftdiepte", stel dan in op een kleinere diepte en voer het werk in twee of meer schaaftbeurten uit.

Stopper (Fig. 7)

Gebruik de stopper wanneer u verschillende werkstukken tot dezelfde dikte wilt schaven. Ga hierbij als volgt te werk.

1. Draai de slinger totdat de indicatieplaat wijst naar de schaalverdeling van de gewenste afwerkingsmaat.
2. Druk de stopknop in en breng de stopper omlaag totdat deze het blad net raakt.
3. Voor fijnafstelling van de stopper dient u de stopperafstelknop te draaien.

⚠ LET OP:

- Zet de stopper altijd in de hoogste positie wanneer u hem niet gebruikt. Forceer nooit de slinger wanneer de stopper het blad raakt. Dit kan namelijk leiden tot beschadiging van het gereedschap.

INEENZETTEN

⚠ LET OP:

- Zorg altijd dat het gereedschap is uitgeschakeld en de stekker uit het stopcontact is verwijderd alvorens enig werk aan het gereedschap uit te voeren.

Vervangen van de schaaftbeitels

⚠ LET OP:

- Wees uiterst voorzichtig bij het verwijderen en installeren van de beitels, om mogelijke snijwonden en beschadiging van de beitels te voorkomen. De beitels zijn vlijmscherp.
- Verwijder alle spanen, stof, pek of andere verontreinigingen van de beitelwals of beitels alvorens de beitels te installeren.
- Gebruik altijd beitels van dezelfde afmetingen en hetzelfde gewicht. Als u dit niet doet, kan slingering/trilling van de beitelwals worden veroorzaakt zodat de beitels minder goed snijden en het gereedschap mogelijk defect raakt.
- Vervang beide beitels tegelijkertijd.
- De wegwerptype beitel heeft een snede aan beide zijden. Wanneer een van beide sneden bot geworden is, kunt u de andere snede gebruiken. Verwijder altijd hars en vuil van de botte snede alvorens de andere snede te gaan gebruiken. Deze beitel mag niet opnieuw worden gescherpt. Wanneer beide sneden bot geworden zijn, dient u de beitel op verantwoorde wijze weg te doen.

1. Verwijderen van de beitels

Draai de vleugelschroef van de spaankap los en verwijder de spaankap. Verwijder de borgschroeven van de rechter zijkap. Verwijder vervolgens de rechter zijkap. Draai de riemschijf om de beitelwals vast te zetten in een positie waarbij de klembouten van de beitels naar boven zijn gericht. (Fig. 8)

Alleen voor wegwerp-beitels

Plaats de twee magnetische houders op de montageplaat en duw deze in de richting van het pijltje totdat de klauw in aanraking komt met de beitel. Verwijder de zes klembouten van de beitel door middel van de dopsleutel. Pak de magnetische houders vast en breng deze recht omhoog om de montageplaat en de beitel te verwijderen van de beitelwals. Druk op de sluitplaat en draai de riemschijf 180° om de beitelwals te vergrendelen. Verwijder de andere beitel op dezelfde wijze. (Fig. 9 en 10)

Alleen voor standaardbeitels

Verwijder de zes klembouten met de dopsleutel. Breng de montageplaat en de beitel recht omhoog om deze te verwijderen van de beitelwals. Druk op de sluitplaat en draai de riemschijf 180° om de beitelwals te draaien en te vergrendelen. Verwijder de andere beitel op dezelfde wijze. Verwijder de montageplaat van de beitel. (Fig. 11 en 12)

2. Installeren van de beitels

⚠ LET OP:

- Gebruik uitsluitend de meegeleverde Makita dopsleutel om de klembouten van de beitels aan te draaien. Het gebruik van een andere dopsleutel kan overmatig of onvoldoende aandraaien van de bouten tot gevolg hebben, hetgeen kan leiden tot ernstige verwonding.

Alleen voor wegwerp-beitels

Gebruik een plat stuk hout dat ongeveer 300 mm lang en 100 mm breed is. Plaats de beitel en de montageplaat op het stuk hout zodat de beitelmontagenok van de montageplaat in de groef van de beitel komt te zitten. Stel de positie van de montageplaat zodanig af dat beide uiteinden van de beitel ongeveer 1 mm uitsteken voorbij de uiteinden van de montageplaat. Plaats de twee magnetische houders op de montageplaat en duw deze totdat de klauw in aanraking komt met de beitel. (Fig. 13)

Pak de magnetische houder vast en schuif de hiel van de montageplaat in de groef van de beitelwals. Monteer de klembouten van de beitel. (Fig. 9) Draai eerst alle klembouten lichtjes en gelijkmatig aan vanaf het midden naar de buitenkanten, en trek de bouten daarna in dezelfde volgorde stevig aan. Verwijder de magnetische houders van de montageplaat.

Installeer de andere beitel op dezelfde wijze. Draai de beitelwals langzaam terwijl u op de sluitplaat drukt om te controleren of alles normaal is. Monteer daarna opnieuw de spaankap en de zijkap. (Fig. 10)

⚠ LET OP:

- Draai de klembouten van de beitel niet aan indien de montagenok van de montageplaat niet correct in de groef van de beitel is geplaatst. Als u dit doet, kan de beitel beschadigd raken en bestaat er gevaar voor verwonding van de gebruiker.
- Schakel het gereedschap niet in terwijl de spaankap is verwijderd.

- Bij het aanbrengen van de spaankap dient u erop te letten dat de ketting niet tussen de spaankap geklemd raakt.

Alleen voor standaardbeitels

Plaats de beitel op de beitelmaat zodat de beitel-snede volledig vlak ligt met de binnenzijde van de voorribbe (A). Plaats de montageplaat op de beitel en druk vervolgens voorzichtig op de hiel van de montageplaat om deze vlak te maken met de achterzijde van de beitelmaat (B). Draai vervolgens de schroeven aan om de montageplaat aan de beitel vast te maken. (Fig. 14)

Schuif de hiel van de montageplaat in de groef van de beitelwals. Monteer de klembouten van de beitel. (Fig. 15)

Draai eerst alle klembouten lichtjes en gelijkmatig aan vanaf het midden naar de buitenkanten, en trek de bouten daarna in dezelfde volgorde stevig aan.

(Fig. 16)

Installeer de andere beitel op dezelfde wijze. Draai de beitelwals langzaam terwijl u op de sluitplaat drukt om te controleren of alles normaal is. Monteer daarna opnieuw de spaankap en de zijkap.

⚠ LET OP:

- Trek de klembouten stevig aan wanneer u de beitels installeert.
- Schakel het gereedschap niet in terwijl de spaankap geopend is.
- Bij het aanbrengen van de spaankap dient u erop te letten dat de ketting niet tussen de spaankap geklemd raakt.

Veranderen van beiteltype

Dit gereedschap kan met wegwerp-beitels of met standaardbeitels worden gebruikt. Koop en gebruik de volgende onderdelen wanneer u van beiteltype wilt veranderen.

Veranderen van standaardbeitels naar wegwerp-beitels		Veranderen van wegwerp-beitels naar standaardbeitels	
Montageplaat	2 stuks	Montageplaat	2 stuks
Wegwerp-beitel (306 mm)	2 stuks	Bout met verzonken kop M 4 x 6	4 stuks
Magnetische houder	2 stuks	Standaardbeitel	2 stuks
		Beitelmaat	1 stuk

Stofkap (Fig. 17)

Gebruik deze kap wanneer u een stofzuiger op de vandiktebank aansluit om het stof gemakkelijk op te vangen en altijd schoon te kunnen werken.

Draai de vleugelbouten van de spaankap los. Bevestig de stofkap aan de vandiktebank en zet de spaankap en de stofkap samen vast door de vleugelbouten aan te draaien.

⚠ LET OP:

- Bij het aanbrengen van de stofkap dient u erop te letten dat de ketting niet tussen de spaankap of stofkap geklemd raakt. (Fig. 18)

BEDIENING

⚠ LET OP:

- Twee of meer smalle werkstukken van ongeveer gelijke dikte kunnen naast elkaar door de vandiktebank worden gevoerd. Laat echter wat ruimte vrij tussen de werkstukken zodat de aanvoerrollen het dunste stuk kunnen grijpen. Anders is er gevaar dat een ietwat dunner stuk door de schaafoep wordt teruggeslagen.

Plaats het werkstuk plat op het bovenblad.

Bepaal de schaafdiepte zoals beschreven hierboven.

Schakel het gereedschap in en wacht totdat de beitelwals op volle toeren draait. Wanneer u het gereedschap inschakelt, mag het werkstuk de aanvoerrol niet raken.

Schuif daarna het werkstuk vlak met het bovenblad naar binnen.

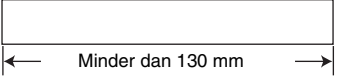
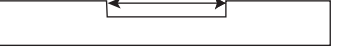
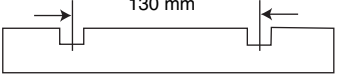
Wanneer u een lang of zwaar werkstuk schaaft, moet u het uiteinde ervan aan het begin en aan het einde van het schaven ietwat omhoog brengen om te voorkomen dat de uiteinden van het werkstuk worden uitgehold of afgesneden.

(Fig. 19)

U kunt de bovenzijde van het gereedschap gebruiken om het werkstuk snel en gemakkelijk naar het aanvoerblad terug te brengen. Dit is vooral nuttig wanneer het gereedschap door twee personen wordt gebruikt. (Fig. 20)

⚠ LET OP:

- Werkstukken met de volgende afmetingen kunnen niet in het gereedschap worden gevoerd omdat de ruimte tussen de twee aanvoerrollen 129 mm is. Probeer niet om dergelijke werkstukken te schaven.

1		Minder dan 130 mm lang
2		Met een groef die meer dan 130 mm breed is
3		Het gedeelte tussen de groeven is meer dan 130 mm breed

- Stop het gereedschap wanneer het werkstuk blijft steken. Als u verder schaaft met een geblokkeerd werkstuk, zullen de aanvoerrollen snel verslijten.

ONDERHOUD

⚠ LET OP:

- Zorg altijd dat het gereedschap is uitgeschakeld en de stekker uit het stopcontact is verwijderd alvorens te beginnen met inspectie of onderhoud.
- Gebruik nooit benzine, wasbenzine, thinner, alcohol en dergelijke. Hierdoor het verkleuring, vervormingen en barsten worden veroorzaakt.

De hoogte van het hulpblad afstellen (Fig. 21 en 22)

De hoogte van het hulpblad is in de fabriek ingesteld. Ga als volgt te werk indien bijstelling nodig is.

Plaats een briefkaart op het blad en plaats een lineaal op de briefkaart. Draai de stelschroef met de zeskantsleutel totdat het uiteinde van het hulpblad in aanraking komt met het lineaal. Het uiteinde van het hulpblad bevindt zich nu tussen 0,1 mm en 0,3 mm boven het bladoppervlak.

Vervangen van de koolborstels (Fig. 23 en 24)

Verwijder en controleer regelmatig de koolborstels. Vervang de koolborstels wanneer ze tot aan de limietmarkering versleten zijn. Houd de koolborstels schoon zodat ze soepel in de houders glijden. Beide koolborstels dienen tegelijkertijd te worden vervangen. Gebruik uitsluitend identieke koolborstels.

Gebruik een schroevendraaier om de kappen van de koolborstelhouders te verwijderen. Haal de versleten koolborstels eruit, steek de nieuwe erin, en zet de kappen van de koolborstelhouders weer vast.

Vervangen van botte beitels

Botte beitels kunnen leiden tot slechte afwerking, overbelasting van de motor en gevaarlijke terugslag van het werkstuk. Vervang botte beitels onmiddellijk.

Smering (Fig. 25)

Smeer de ketting (na het verwijderen van de zijkap R), de vier kolommen en de schroeven voor het omhoogbrengen van het hoofdframe. Voor deze periodieke smering dient u machineolie te gebruiken.

⚠ LET OP:

- Smering en alle andere onderhoudswerkzaamheden dienen te worden uitgevoerd met het gereedschap uitgeschakeld en de stekker uit het stopcontact verwijderd.

Reinigen

Veeg met een borstel altijd vuil, spanen en vreemde bestanddelen op de roloppervlakken, de ventilatiegaten van de motor en de beitelwalsen eraf.

Limiet voor het aanscherpen van standaardbeitels (Fig. 26)

Gebruik geen standaardbeitels waarvan het mes minder dan 4 mm lang is.

Om de VEILIGHEID en BETROUWBAARHEID van het product te handhaven, dienen alle reparaties en alle andere onderhoudswerkzaamheden of afstellingen te worden uitgevoerd door een erkend Makita Servicecentrum, en dat uitsluitend met gebruik van Makita vervangingsonderdelen.

ACCESSOIRES

⚠ LET OP:

- Deze accessoires of hulpstukken worden aanbevolen voor gebruik met het Makita gereedschap dat in deze gebruiksaanwijzing is beschreven. Bij gebruik van andere accessoires of hulpstukken bestaat er gevaar voor persoonlijke verwonding. Gebruik de accessoires of hulpstukken uitsluitend voor hun bestemde doel.

Raadpleeg het dichtstbijzijnde Makita Servicecentrum voor verder advies of bijzonderheden omtrent deze accessoires.

- Magnetische houder
- Wegwerp-beitel
- Standaardbeitel
- Beitelmaat
- Dopsleutel 9
- Zeskantsleutel 2,5
- Stofkap
- Standaard

Geluidsniveau

De typisch, A-gewogen geluidsniveaus vastgesteld volgens EN61029:

Geluidsdrukniveau (L_{pA}): 86 dB (A)

Geluidsenergie-niveau (L_{WA}): 99 dB (A)

Onnauwkeurigheid (K): 3 dB (A)

Draag oorbeschermers

ENH037-1

Alleen voor Europese landen**EU-Verklaring van Conformiteit**

Wij, Makita Corporation, als de verantwoordelijke fabrikant, verklaren dat de volgende Makita-machine(s):

Aanduiding van de machine: Vandiktebank

Modelnr./Type: 2012NB

in serie zijn geproduceerd en

Voldoen aan de volgende Europese richtlijnen:

2006/42/EC

En zijn gefabriceerd in overeenstemming met de volgende normen of genormaliseerde documenten:

EN12100-1, IEC61029, EN860

Het certificaatnummer van het EU-typeonderzoek is: 10-SKM-CM-0523

Het EU-typeonderzoek volgens 2006/42/EC werd uitgevoerd door:

Inspecta Sweden AB

PO Box 30100

SE-104 25 STOCKHOLM, Zweden

Identificatienr. 0409

De technische documentatie wordt bewaard door onze erkende vertegenwoordiger in Europa, te weten:

Makita International Europe Ltd.

Michigan Drive, Tongwell,

Milton Keynes, MK15 8JD, Engeland

3.3.2010




Tomoyasu Kato
Directeur

Makita Corporation
3-11-8, Sumiyoshi-cho,
Anjo, Aichi, JAPAN

Explicación de los dibujos

1 Asidero de transporte	15 Pomo del tope	29 Calibrador de cuchilla
2 Mesa auxiliar	16 Parte superior de la mesa	30 Conjunto de capucha
3 Perno o tornillo	17 Placa de bloqueo	31 Cubierta contra virutas
4 Lámpara piloto	18 Polea	32 Regla
5 Interruptor	19 Tambor	33 Tarjeta postal
6 Manivela	20 Cadena	34 Tornillo de ajuste
7 Escala	21 Tornillo de palometa	35 Llave hexagonal
8 Bastidor principal	22 Perno de instalación de la cuchilla	36 Marca límite
9 Placa indicadora	23 Placa de presión	37 Tapón portaescobillas
10 Tope de profundidad	24 Sujetador magnético	38 Destornillador
11 Ranura	25 Cuchilla	39 Columna
12 Indicador de ajuste de profundidad	26 Mordaza	40 Base
13 Tope	27 Llave de tubo	41 Más de 4 mm
14 Botón del tope	28 Tornillo	

ESPECIFICACIONES

Modelo	2012NB
Anchura de corte	304 mm
Profundidad de corte máxima	3,0 mm de material anchura menos de 150 mm 1,5 mm de material anchura de 150 mm a 240 mm 1,0 mm de material anchura de 240 mm a 304 mm
Velocidad de avance (min ⁻¹)	8,5 m
Tamaño de la mesa (An x Lar)	304 mm x 771 mm
Velocidad en vacío (min ⁻¹)	8.500
Longitud total (An x Lar x Al)	483 mm x 771 mm x 401 mm
Peso neto	28,1 kg
Clase de seguridad	 /II

- Debido a un programa continuo de investigación y desarrollo, las especificaciones aquí dadas están sujetas a cambios sin previo aviso.
- Las especificaciones pueden ser diferentes de país a país.
- Peso de acuerdo con el procedimiento EPTA 01/2003

ENE001-1

Uso previsto

La herramienta ha sido prevista para cepillar madera.

ENF002-1

Alimentación

La herramienta ha de conectarse solamente a una fuente de alimentación de la misma tensión que la indicada en la placa de características, y sólo puede funcionar con corriente alterna monofásica. El sistema de doble aislamiento de la herramienta cumple con la norma europea y puede, por lo tanto, usarse también en enchufes hembra sin conductor de tierra.

ENF100-1

Para sistemas de distribución de baja tensión de entre 220 y 250 v públicos

Los cambios de operación de aparatos eléctricos ocasionan fluctuaciones de tensión. La operación de este dispositivo en condiciones desfavorables de corriente puede afectar adversamente a la operación de otros equipos. Con una impedancia eléctrica igual o inferior a 0,38 ohmios, se puede asumir que no surgirán efectos negativos.

La toma de corriente utilizada para este dispositivo deberá estar protegida con un fusible o disyuntor que tenga unas características de desconexión lenta.

GEA010-1

Advertencias de seguridad generales para herramientas eléctricas

⚠️ ADVERTENCIA Lea todas las advertencias de seguridad y todas las instrucciones. Si no sigue todas las advertencias e instrucciones podrá ocasionar una descarga eléctrica, un incendio y/o heridas graves.

Guarde todas las advertencias e instrucciones para futuras referencias.

ADVERTENCIAS DE SEGURIDAD PARA EL CEPILLO

1. Póngase protección para los ojos.
2. Póngase equipo de protección personal apropiado cuando sea necesario, tal como protección para oídos (tapones de oídos), protección respiratoria (máscara contra el polvo) y guantes cuando maneje material bruto.
3. No utilice la herramienta en presencia de líquidos o gases inflamables.
4. Asegúrese de que todas las cubiertas estén instaladas en su sitio antes de comenzar la operación.
5. Maneje las cuchillas con mucho cuidado.
6. Compruebe las cuchillas cuidadosamente para ver si tienen grietas o daños antes de comenzar la operación. Reemplace las cuchillas agrietadas o dañadas inmediatamente.
7. Apriete firmemente los pernos de instalación de la cuchilla de la cepilladora.
8. Quite los clavos y limpie la pieza de trabajo antes de cortar. Los clavos, arena o materia extraña pueden ocasionar daños a la cuchilla.
9. No quite las virutas del deflector de virutas cuando el motor esté en marcha. Limpie las virutas después de que las cuchillas se hayan parado completamente. Utilice siempre un listón, etc. cuando quiera limpiarlas.
10. No deje la herramienta en marcha.
11. No maltrate el cable. No tire nunca del cable para desconectarlo de la toma de corriente. Mantenga el cable alejado de calor, aceite, agua y bordes cortantes.
12. La herramienta deberá ser utilizada solamente para madera y materiales similares.

GUARDE ESTAS INSTRUCCIONES.

⚠ ADVERTENCIA:

NO deje que la comodidad o familiaridad con el producto (a base de utilizarlo repetidamente) sustituya la estricta observancia de las normas de seguridad para el producto en cuestión. El MAL USO o el no seguir las normas de seguridad establecidas en este manual de instrucciones podrá ocasionar graves heridas personales.

INSTALACIÓN

Movimiento y transporte del cepillo (Fig. 1)

⚠ PRECAUCIÓN:

- Mire dónde pisa cuando esté moviendo la herramienta.

Pliegue las mesas auxiliares. Agárrela por los asideros de transporte cuando mueva la herramienta.

Cuando la transporte en un vehículo, sujétela con una cuerda u otro medio seguro para evitar que se vuelque o se mueva.

Posicionamiento del cepillo (Fig. 2)

Coloque la herramienta en un lugar bien iluminado y nivelado donde pueda mantener los pies firmes y el equilibrio. Sujétela con pernos/tornillos a la mesa de trabajo o estante del cepillo (accesorio opcional) utilizando los agujeros para pernos provistos en la base.

DESCRIPCIÓN DEL FUNCIONAMIENTO

⚠ PRECAUCIÓN:

- Asegúrese siempre de que la herramienta esté apagada y desenchufada antes de ajustar o comprobar cualquier función de la herramienta.

Accionamiento del interruptor (Fig. 3)

⚠ PRECAUCIÓN:

- Antes de enchufar la herramienta, asegúrese siempre de que la herramienta esté apagada. La lámpara piloto se encenderá cuando la herramienta sea enchufada a la toma de corriente.

Para poner en marcha la herramienta, presione el botón ON (I). Para pararla, presione el botón OFF (O).

Ajuste dimensional (Fig. 4)

Baje el bastidor principal girando la manivela hacia la izquierda hasta que la placa indicadora apunte a la graduación de la escala que indique la dimensión de acabado deseada. Una vuelta completa de la manivela moverá el bastidor principal 2 mm hacia arriba o hacia abajo. La escala tiene graduaciones en pulgadas en su lado derecho y graduaciones métricas en su lado izquierdo.

Ajuste de la profundidad de corte

La máxima profundidad de corte variará dependiendo de la anchura de la pieza de trabajo que se esté cortando. Consulte la tabla. Cuando necesite quitar más de la cantidad especificada en la tabla, ajuste una profundidad de corte menor que la cantidad y haga dos o más pasadas.

Anchura de la pieza de trabajo a cortar	Profundidad de corte máxima
Menos de 150 mm	3,0 mm
150 mm – 240 mm	1,5 mm
240 mm – 304 mm	1,0 mm

Para ajustar la profundidad de corte, proceda de la forma siguiente.

Inserte la pieza de trabajo colocándola plana en la parte superior de la mesa. Baje el bastidor inferior girando la manivela hacia la izquierda. El tope de profundidad se elevará y la altura que suba el tope indicará la profundidad de corte. (Fig. 5)

⚠ PRECAUCIÓN:

- Baje siempre el bastidor principal cuando quiera alinear la placa indicadora con la graduación que indique la dimensión de acabado deseada. Si eleva el bastidor principal a la dimensión de acabado deseada, podrá resultar en una holgura adicional en el tornillo. Esto podrá ocasionar una dimensión de acabado no deseada.
- Ponga siempre plana la pieza de trabajo en la parte superior de la mesa cuando quiera predeterminar la profundidad de corte. De lo contrario, la profundidad de corte predeterminada variará de la profundidad de corte real.

Indicador de ajuste de profundidad (Fig. 6)

Utilice el indicador de ajuste de profundidad cuando necesite predeterminar la profundidad de corte de manera más precisa. Para hacerlo, prosiga de la forma siguiente.

1. En primer lugar, cepille la pieza de trabajo a la profundidad de corte predeterminada. Mida el grosor de la pieza cepillada para ver cuánto más material necesita rebajar.
2. Gire el indicador de ajuste de profundidad de la manivela hasta que la graduación 0 esté alineada con la ranura de la herramienta.
3. Ahora gire la manivela hacia la izquierda hasta que la graduación de la profundidad de corte deseada esté alineada con la ranura de la herramienta.
4. Cuando necesite quitar más de la cantidad especificada en la tabla mencionada en la sección "Ajuste de la profundidad de corte", ajuste una profundidad de corte menor que la cantidad y haga dos o más pasadas.

Tope (Fig. 7)

Utilice el tope cuando necesite cepillar muchas piezas de trabajo al mismo grosor. Para hacerlo, prosiga de la forma siguiente.

1. Gire la manivela hasta que la placa indicadora apunte a la graduación de la escala que indique la dimensión de acabado deseada.
2. Baje el botón del tope y baje el tope hasta que justo haga contacto con la parte superior de la mesa.
3. Si necesita un ajuste fino del tope, gire el pomo del tope.

⚠ PRECAUCIÓN:

- Cuando el tope no esté siendo utilizado, súbalo siempre a la posición más alta. No fuerce nunca la manivela cuando el tope esté haciendo contacto con la parte superior de la mesa. Esto podrá ocasionar daños a la herramienta.

MONTAJE

⚠ PRECAUCIÓN:

- Asegúrese siempre de que la herramienta esté apagada y desenchufada antes de realizar cualquier trabajo en la herramienta.

Reemplazo de cuchillas

⚠ PRECAUCIÓN:

- Maneje las cuchillas con mucho cuidado cuando las desmonte o las instale para evitar cortes o heridas con las cuchillas y para evitar daños a las cuchillas. Están afiladas como las cuchillas de afeitar.
- Limpie todas las virutas, polvo, resina o materia extraña adheridos al tambor o cuchillas antes de instalar las cuchillas.
- Utilice cuchillas de las mismas dimensiones y peso, o podrá ocurrir oscilación/vibración en el tambor, ocasionando una acción de corte mala y, eventualmente, avería de la herramienta.
- Reemplace ambas cuchillas al mismo tiempo.
- La cuchilla tipo desechable tiene bordes cortantes en ambos lados. Cuando se desafilé un borde de corte, podrá utilizar el otro borde de corte. Quite siempre la resina y suciedad adheridas en el reverso de la cuchilla antes de utilizar el otro borde de corte. Esta cuchilla no deberá ser reafilada. Cuando ambos bordes de corte estén desafilados, deberá tirar la cuchilla de forma cuidadosa.

1. Desmontaje de las cuchillas

Afloje el tornillo de palometa que sujeta la cubierta contra virutas y quite la cubierta contra virutas.

Quite los tornillos que sujetan la cubierta lateral derecha. Después quite la cubierta lateral derecha. Gire la polea hasta que el tambor pueda ser bloqueado en la posición en la cual los pernos de instalación de la cuchilla queden hacia arriba. (Fig. 8)

Para cuchillas desechables solamente

Ponga los dos sujetadores magnéticos encima de la placa de presión y presiónelos en la dirección de la flecha hasta que la mordaza haga contacto con la cuchilla. Quite los seis pernos de instalación de la cuchilla utilizando la llave de tubo. Agarre los sujetadores magnéticos y súbalos en línea recta para quitar la placa de presión y cuchilla del tambor. Presione la placa de bloqueo y gire la polea 180° para bloquear el tambor. Quite la otra cuchilla como se ha descrito arriba. (Fig. 9 y 10)

Para cuchillas estándar solamente

Quite los seis pernos de instalación utilizando la llave de tubo. Suba la placa de presión y cuchilla en línea recta para quitarlos del tambor. Presione la placa de bloqueo y gire el tambor girando la polea 180° para bloquear el tambor. Quite la otra cuchilla como se ha descrito arriba. Quite la placa de presión de la cuchilla. (Fig. 11 y 12)

2. Instalación de las cuchillas

⚠ PRECAUCIÓN:

- Utilice solamente la llave de tubo Makita provista para apretar los pernos de instalación de la cuchilla. La utilización de cualquier otra llave de tubo podrá ocasionar un sobreapriete o apriete insuficiente de los pernos, resultando en heridas graves.

Para cuchillas desechables solamente

Provea un bloque de madera plano de aproximadamente 300 mm de largo y 100 mm de ancho. Ponga la cuchilla y la placa de presión encima del bloque de madera de forma que la orejeta de situación de cuchilla de la placa de presión descansa en la ranura de la cuchilla. Ajuste la placa de presión de forma que ambos extremos de la cuchilla sobresalgan aproximadamente 1 mm por los extremos de la placa de presión. Ponga los dos sujetadores magnéticos encima de la placa de presión y presiónelos hasta que la mordaza haga contacto con la cuchilla. (Fig. 13)

Agarre el sujetador magnético y deslice el lomo de la placa de presión al interior de la ranura del tambor. Instale los pernos de instalación de la cuchilla. (Fig. 9) Después de apretar todos los pernos de instalación de la cuchilla ligera y uniformemente desde el centro hacia el exterior, apriételes completamente siguiendo la misma secuencia. Quite los sujetadores magnéticos de la placa de presión.

Instale la otra cuchilla como se ha descrito arriba. Gire el tambor lentamente mientras presiona la placa de bloqueo para asegurarse de que no hay nada anormal. Después instale la cubierta contra virutas y la cubierta lateral. (Fig. 10)

⚠ PRECAUCIÓN:

- No apriete los pernos de instalación de la cuchilla sin la orejeta de situación de cuchilla de la placa de presión descansando correctamente en la ranura de la cuchilla. Esto podrá ocasionar daño a la cuchilla y heridas potenciales al operario.

- No encienda la herramienta con la cubierta contra virutas quitada.
- Cuando esté instalando la cubierta contra virutas, asegúrese de que la cadena no quede pillada con la cubierta contra virutas.

Para cuchilla estándar solamente

Ponga la cuchilla encima del calibrador de cuchilla de forma que el borde de la cuchilla esté perfectamente a ras con el interior del reborde delantero (A). Ponga la placa de presión encima de la cuchilla, después presione con cuidado el lomo de la placa de presión para que quede a ras con la parte posterior del calibrador de cuchilla (B). Apriete los tornillos para sujetar la placa de presión a la cuchilla. (Fig. 14)

Deslice el lomo de la placa de presión al interior de la ranura del tambor. Instale los pernos de instalación de la cuchilla. (Fig. 15)

Después de apretar todos los pernos de instalación de la cuchilla ligera y uniformemente desde el centro hacia el exterior, apriételos completamente siguiendo la misma secuencia. (Fig. 16) Instale la otra cuchilla como se ha descrito arriba. Gire el tambor lentamente mientras presiona la placa de bloqueo para asegurarse de que no hay nada anormal. Después instale la cubierta contra virutas y la cubierta lateral.

⚠ PRECAUCIÓN:

- Apriete los pernos de instalación de la cuchilla firmemente cuando instale las cuchillas.
- No encienda la herramienta con la cubierta contra virutas abierta.
- Cuando esté instalando la cubierta contra virutas, asegúrese de que la cadena no quede pillada con la cubierta contra virutas.

Cambio de tipo de cuchilla

Esta herramienta acepta tanto cuchillas desechables como cuchillas estándar. Si desea cambiar el tipo de cuchilla, adquiera y utilice las partes siguientes.

Cambio de cuchilla estándar a cuchilla desechable		Cambio de cuchilla desechable a cuchilla estándar	
Placa de presión	2 piezas.	Placa de presión	2 piezas.
Cuchilla desechable (306 mm)	2 piezas.	Tornillo de cabeza grande plana M 4 x 6	4 piezas.
Sujetador magnético	2 piezas.	Cuchilla estándar	2 piezas.
		Calibrador de cuchilla	1 piezas.

Conjunto de capucha (Fig. 17)

Cuando quiera realizar operaciones limpias mediante una fácil recogida de polvo, conecte el aspirador al cepillo utilizando esta capucha.

Afloje los tornillos de palometa que sujetan la cubierta contra virutas. Coloque la capucha en el cepillo y sujete la cubierta contra virutas y la capucha juntas apretando los tornillos de palometa.

⚠ PRECAUCIÓN:

- Cuando esté instalando el conjunto de capucha, asegúrese de que la cadena no quede pillada con la cubierta contra virutas ni el conjunto de capucha. (Fig. 18)

OPERACIÓN

⚠ PRECAUCIÓN:

- A través del cepillo podrán empujarse dos tablas estrechas pero de grosor similar una junto a la otra. Sin embargo, deje algo de espacio entre las tablas para permitir que los rodillos de avance puedan agarrar la tabla más fina. De lo contrario, el cabezal portacuchilla podrá hacer retroceder bruscamente una tabla ligeramente más fina.

Ponga la pieza de trabajo de forma plana en la parte superior de la mesa.

Determine la profundidad de corte como se ha descrito antes.

Encienda la herramienta y espere hasta que las cuchillas alcancen plena velocidad. La pieza de trabajo no deberá estar en contacto con el rodillo de avance cuando usted encienda la herramienta.

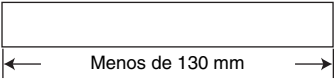
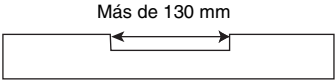
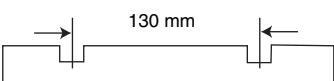
Después inserte la pieza de trabajo teniéndola a ras con la parte superior de la mesa.

Cuando esté cortando una pieza de trabajo larga y pesada, levante su extremo ligeramente al inicio y al final del corte para evitar que los extremos de la pieza de trabajo se estríen o corten en bisel. (Fig. 19)

La utilización de la parte superior de la herramienta permite un retorno rápido y sin esfuerzos de la pieza de trabajo hacia el lado de la mesa de entrada. Esto resulta especialmente conveniente con dos operarios. (Fig. 20)

⚠ PRECAUCIÓN:

- Las piezas de trabajo con las siguientes dimensiones no podrán ser introducidas a interior de la herramienta porque el intervalo entre los dos rodillos de avance es de 129 mm. No intente cepillarlas.

1		Menos de 130 mm de longitud
2		Teniendo una ranura de más de 130 mm de ancho
3		Teniendo ranuras a intervalos de 130 mm de ancho

- Pare la herramienta cuando la pieza de trabajo se trabe. Si deja que la herramienta siga en marcha con una pieza de trabajo trabada podrá ocasionar un rápido desgaste de los rodillos de avance.

MANTENIMIENTO

⚠ PRECAUCIÓN:

- Asegúrese siempre de que la herramienta esté apagada y desenchufada antes de intentar realizar una inspección o mantenimiento.
- No utilice nunca gasolina, bencina, disolvente, alcohol o similares. Podría producir descoloración, deformación o grietas.

Ajuste de la altura de la mesa auxiliar (Fig. 21 y 22)

La altura de la mesa auxiliar sale ajustada de fábrica. Si fuera necesario volver a ajustarla, proceda de la forma siguiente.

Ponga una tarjeta postal encima de la mesa y ponga también una regla encima de la tarjeta postal. Gire el tornillo de ajuste con la llave hexagonal hasta que el extremo de la mesa auxiliar haga contacto con la regla. Ahora el extremo de la mesa auxiliar estará de 0,1 mm a 0,3 mm por encima de la superficie de la mesa.

Reemplazo de las escobillas de carbón (Fig. 23 y 24)

Extraiga e inspeccione las escobillas de carbón regularmente. Reemplácelas cuando se hayan gastado hasta la marca límite. Mantenga las escobillas de carbón limpias de forma que entren libremente en los portaescobillas. Deberán reemplazarse ambas escobillas de carbón al mismo tiempo. Utilice únicamente escobillas de carbón idénticas.

Utilice un destornillador para quitar los tapones portaescobillas. Extraiga las escobillas gastadas, inserte las nuevas y vuelva a colocar los tapones portaescobillas.

Mantener afiladas las cuchillas

Las cuchillas desafiladas pueden ocasionar un acabado irregular, una sobrecarga al motor y peligrosos retrocesos bruscos de la pieza de trabajo. Reemplace las cuchillas desafiladas inmediatamente.

Lubricación (Fig. 25)

Lubrique la cadena (después de quitar la cubierta lateral R), las cuatro columnas y los tornillos para elevar el bastidor principal. Esta lubricación periódica deberá realizarse con aceite para máquinas.

⚠ PRECAUCIÓN:

- La lubricación y todo el mantenimiento deberá ser realizado con la herramienta apagada y desenchufada.

Limpieza

Cepille siempre la suciedad, virutas y materia extraña adheridas a las superficies de los rodillos, orificios de ventilación del motor y tambores.

Límite para reafilar una cuchilla estándar (Fig. 26)

No utilice una cuchilla estándar cuya longitud de cuchilla sea inferior a 4 mm.

Para mantener la SEGURIDAD y FIABILIDAD del producto, las reparaciones, y otras tareas de mantenimiento o ajuste deberán ser realizadas en Centros Autorizados o Servicio de Fábrica de Makita, empleando siempre repuestos Makita.

ACCESORIOS



PRECAUCIÓN:

Estos accesorios o acoplamientos están recomendados para utilizar con la herramienta Makita especificada en este manual. El empleo de otros accesorios o acoplamientos conllevará un riesgo de sufrir heridas personales. Utilice los accesorios o acoplamientos solamente para su fin establecido.

Si necesita cualquier ayuda para más detalles en relación con estos accesorios, pregunte al centro de servicio Makita local.

- Sujetador magnético
- Cuchilla desechable
- Cuchilla estándar
- Calibrador de cuchilla
- Llave de tubo de 9
- Llave hexagonal de 2,5
- Conjunto de capucha
- Estante

Ruido

El nivel de ruido A-ponderado típico determinado de acuerdo con la norma EN61029:

Nivel de presión sonora (L_{pA}): 86 dB (A)

Nivel de potencia sonora (L_{WA}): 99 dB (A)

Error (K): 3 dB (A)

Póngase protectores en los oídos

ENH037-1

Para países europeos solamente

Declaración de conformidad CE

Makita Corporation como fabricante responsable declara que la(s) siguiente(s) máquina(s) de Makita:

Designación de máquina: Cepillo

Modelo N°/Tipo: 2012NB

son producidas en serie y

Cumplen con las directivas europeas siguientes:

2006/42/EC

Y que están fabricadas de acuerdo con las normas o documentos normalizados siguientes:

EN12100-1, IEC61029, EN860

El Certificado de Examen Tipo EC N° 10-SKM-CM-0523

El examen de tipo EC según 2006/42/EC fue realizado por:

Inspecta Sweden AB

PO Box 30100

SE-104 25 STOCKHOLM, Suecia

N° de identificación 0409

Los documentos técnicos los guarda nuestro representante autorizado en Europa cuya persona es:

Makita International Europe Ltd.

Michigan Drive, Tongwell,

Milton Keynes, MK15 8JD, Inglaterra

3.3.2010


Tomoyasu Kato
Director

Makita Corporation
3-11-8, Sumiyoshi-cho,
Anjo, Aichi, JAPAN

Explicação geral

1 Pega de transporte	14 Botão de paragem	28 Parafuso
2 Mesa de apoio	15 Botão do travão	29 Guia da lâmina
3 Perno ou parafuso	16 Topo da mesa	30 Conjunto de capote
4 Lâmpada piloto	17 Placa de bloqueio	31 Cobertura de aparas
5 Interruptor	18 Polia	32 Régua
6 Pega do excêntrico	19 Tambor	33 Postal
7 Escala	20 Corrente	34 Parafuso de regulação
8 Quadro principal	21 Parafuso de paragem	35 Chave hexagonal
9 Placa indicadora	22 Perno de instalação da lâmina	36 Marca limite
10 Guia de profundidade	23 Placa de regulação	37 Tampa do porta-escovas
11 Ranhura	24 Suporte magnético	38 Chave de parafusos
12 Guia de regulação de profundidade	25 Lâmina	39 Coluna
13 Travão	26 Garra	40 Base
	27 Chave de tubo	41 Mais do que 4 mm

ESPECIFICAÇÕES

Modelo	2012NB
Largura do corte	304 mm
Profundidade max. de corte	3,0 mm de largura do cepo com menos de 150 mm 1,5 mm de largura do cepo com 150 mm a 240 mm 1,0 mm de largura do cepo com 240 mm a 304 mm
Constante de alimentação (min ⁻¹)	8,5 m
Tamanho da tabela (P x C)	304 mm x 771 mm
Velocidade em vazio (min ⁻¹)	8.500
Comprimento total (P x L x A)	483 mm x 771 mm x 401 mm
Peso líquido	28,1 kg
Classe de segurança	 /II

- Devido ao nosso programa contínuo de pesquisa e desenvolvimento, as características indicadas neste documento estão sujeitas a alterações sem aviso prévio.
- As especificações podem diferir de país para país.
- Peso de acordo com o Procedimento 01/2003 da EPTA (European Power Tool Association)

ENE001-1

Utilização a que se destina

A ferramenta foi concebida para plainar madeira.

ENF002-1

Alimentação

A ferramenta só deve ser ligada a uma fonte de alimentação com a mesma voltagem da indicada na placa de características, e só funciona com alimentação CA monofásica. Tem um sistema de isolamento duplo de acordo com as normas europeias e pode, por isso, utilizar tomadas sem ligação à terra.

ENF100-1


Para sistemas públicos de distribuição de baixa voltagem entre 220 V e 250 V

Alternar a operação de aparelhos eléctricos pode causar flutuações de voltagem. A operação deste aparelho sob condições de alimentação não favoráveis pode ter efeitos adversos na operação de outro equipamento. Com uma impedância de alimentação igual ou inferior a 0,38 ohms pode-se presumir que não haverá efeitos negativos.

A tomada de alimentação utilizada para este aparelho deve ser protegida com um fusível ou um disjuntor protector de circuito que tenha características de disparo lentas.

GEA010-1

Avisos gerais de segurança para ferramentas eléctricas

 **AVISO** Leia todas os avisos de segurança e todas as instruções. O não cumprimento de todos os avisos e instruções pode originar choque eléctrico, incêndio e/ou ferimentos graves.

Guarde todos os avisos e instruções para futuras referências.

DESCRIÇÃO FUNCIONAL

AVISOS DE SEGURANÇA PARA A GARLOPA

1. Utilize protecção para os olhos.
2. Utilize equipamento de protecção pessoal adequado quando necessário tal como protecção para os ouvidos (tampões para os ouvidos) protecção respiratória (máscara contra o pó) e luvas quando trabalha com material áspero.
3. Não utilize a ferramenta na presença de líquidos ou gases inflamáveis.
4. Certifique-se de que todas as coberturas estão instaladas no seu lugar antes da operação.
5. Manuseie as lâminas com cuidado.
6. Inspeccione as lâminas com cuidados para ver se tem fissuras ou está estragada antes da operação. Substitua lâminas com fissuras ou estragadas imediatamente.
7. Aperte os parafusos de instalação da lâmina da plaina seguramente.
8. Retire pregos e limpe a peça de trabalho antes do corte. Prego, areia ou matérias estranhas podem estragar a lâmina.
9. Não retire aparas do escoadouro de aparas quando o motor está a funcionar. Retire as aparas depois das lâminas estarem completamente paradas. Utilize sempre uma vara, etc. quando as retira.
10. Não deixe a ferramenta a funcionar.
11. Não estique o cabo. Não puxe pelo cabo para o desligar da tomada. Mantenha o cabo afastado do calor, óleo, água e extremidades pontiagudas.
12. A ferramenta deve ser utilizada somente para madeira e materiais semelhantes.

GUARDE ESTAS INSTRUÇÕES.

⚠️ AVISO:
NÃO permita que o conforto ou a familiaridade com o produto (adquirido com a utilização repetida) substitua a aderência estrita às regras de segurança da ferramenta. **MÁ INTERPRETAÇÃO** ou não seguimento das regras de segurança estabelecidas neste manual de instruções pode causar danos pessoais sérios.

INSTALAÇÃO

Movimento e transporte da garlopa (Fig. 1)

⚠️ PRECAUÇÃO:

- Ande com cuidado quando desloca a ferramenta.

Dobre as mesas de apoio. Agarre pelas pegadas de transporte quando desloca a ferramenta.

Quando a transporta de automóvel, prenda-a com uma corda ou de qualquer outro modo que evite que cai ou se mova.

Posicionamento da garlopa (Fig. 2)

Localize a ferramenta num local bem iluminado e nivelado onde se pode manter com os pés bem assentes e em equilíbrio. Prenda-a com um perno/parafuso à bancada ou pés (acessório opcional) utilizando os orifícios dos parafusos existentes na base.

⚠️ PRECAUÇÃO:

- Certifique-se sempre de que a ferramenta está desligada e a ficha retirada da tomada antes de regular ou verificar qualquer função na ferramenta.

Acção do interruptor (Fig. 3)

⚠️ PRECAUÇÃO:

- Antes de ligar a ferramenta à tomada, certifique-se sempre de que a ferramenta está desligada. A lâmpada piloto acende-se quando a ferramenta está ligada à fonte de alimentação.

Para iniciar a ferramenta, pressione o botão ON (I). Para a parar, pressione o botão OFF (O).

Regulação dimensional (Fig. 4)

Desça o quadro principal rodando a pega do excêntrico para a esquerda até que a placa indicadora aponte para a graduação que indica a dimensão do acabamento desejado. Uma volta completa da pega do excêntrico desloca o quadro principal 2 mm para cima ou para baixo. A escala tem graduações em polegadas no lado direito e métricas no lado esquerdo.

Regulação da profundidade do corte

A profundidade máxima do corte difere dependendo da largura da peça de trabalho a ser cortada. Refira-se à tabela. Quando necessita retirar mais do que a quantidade especificada na tabela, coloque a profundidade de corte inferior à quantidade e faça duas ou mais passagens.

Largura da peça a ser cortada	Profundidade máxima de corte
Menos do que 150 mm	3,0 mm
150 mm – 240 mm	1,5 mm
240 mm – 304 mm	1,0 mm

Para regular a profundidade de corte, proceda como se segue.

Coloque a peça de trabalho direita no topo da mesa. Desça o quadro principal rodando a pega do excêntrico para a esquerda. A guia de profundidade subirá e o quanto sobe indica a profundidade do corte. (Fig. 5)

⚠️ PRECAUÇÃO:

- Desça sempre o quadro principal quando alinha a placa indicadora com a graduação indicando a dimensão de acabamento desejada. Se levantar o quadro principal até à dimensão de acabamento desejado pode resultar em folga adicional no parafuso. Isto pode causar uma dimensão não desejada de acabamento.
- Coloque a sempre a peça de trabalho direita no topo da mesa, quando pré-determina a profundidade de corte. Se assim não for, a profundidade de corte pré-determinada será diferente da profundidade de corte actual.

Guia de regulação de profundidade (Fig. 6)

Utilize a guia de regulação de profundidade quando necessita pré-determinar a profundidade de corte mais acuradamente. Para isso, proceda como se segue.

1. Primeiro, plane a peça de trabalho na profundidade de corte determinada. Meça a espessura da peça planada para saber qual a quantidade que ainda necessita de retirar.

- Rode a guia de regulação de profundidade na pega do excêntrico até que a graduação 0 esteja alinhada com a ranhura na ferramenta.
- Nessa altura rode a pega do excêntrico para a esquerda até que a graduação para a profundidade de corte desejada esteja alinhada com a ranhura na ferramenta.
- Quando necessita retirar mais do que a quantidade especificada na tabela mencionada em “Regulação da profundidade de corte”, coloque a profundidade de corte inferior à quantidade e faça duas ou mais passagens.

Travão (Fig. 7)

Utilize o travão quando necessita planar muitas peças de trabalho da mesma espessura. Para isso, proceda como se segue.

- Rode a pega do excêntrico até que a placa indicadora aponte para a graduação da escala indicando a dimensão de acabamento desejada.
- Pressione o botão de paragem e desça o travão até que contacte com o topo da mesa.
- Se necessitar um ajustamento mais preciso do travão, rode o botão do travão.

⚠️ PRECAUÇÃO:

- Quando o travão não está em utilização, levante-o sempre até à posição mais elevada. Nuca force a pega do excêntrico quando o travão está em contacto com o topo da mesa. Pode estragar a ferramenta.

ASSEMBLAGEM

⚠️ PRECAUÇÃO:

- Certifique-se sempre de que a ferramenta está desligada e a ficha retirada da tomada antes de executar qualquer trabalho na ferramenta.

Substituição das lâminas

⚠️ PRECAUÇÃO:

- Manuseie as lâminas com muito cuidado quando retira ou instala as lâminas para evitar cortes ou ferimentos e para evitar estragar as lâminas. São muito afiadas.
- Limpe todas as aparas, pó ou matérias estranhas aderentes ao tambor ou lâminas antes de instalar as lâminas.
- Utilize lâminas com as mesmas dimensões e peso, ou haverá oscilação/vibração do tambor, causando reduzida acção de corte e eventualmente estrago da ferramenta.
- Substitua as duas escovas de carvão ao mesmo tempo.
- A lâmina descartável tem superfície cortante nos dois lados. Quando uma superfície de corte fica romba, pode utilizar a outra. Retire sempre resina e pó aderente ao lado inverso da lâmina antes de utilizar a outra superfície de corte. Não deve amolar a lâmina. Quando as duas superfícies estiverem rombas, deve deitar fora a lâmina com cuidado.

1. Retirar as lâminas

Retire os parafusos de paragem que prendem a cobertura de aparas. Retire os parafusos que prendem a cobertura do lado direito. Em seguida retire a cobertura do lado direito. Retire a polia até que o tambor possa ser preso na posição onde os pernos de instalação da lâmina estão virados para cima. (Fig. 8)

Só para lâminas descartáveis

Coloque os dois suportes magnéticos na placa de regulação e empurre-os na direcção da seta até que a garra contacte a lâmina. Retire os seis pernos de instalação da lâmina utilizando a chave de tubo. Agarre nos suportes magnéticos e levante-os direitos para retirar a placa de regulação e a lâmina do tambor. Pressione a placa de bloqueio e rode a polia de 180° para bloquear o tambor. Retire a outra lâmina como descrito acima. (Fig. 9 e 10)

Só para lâminas normais

Retire os seis pernos de instalação utilizando a chave de tubo. Levante a placa de regulação e a lâmina direitas e retire-as do tambor. Pressione a placa de bloqueio e rode o tambor virando a polia de 180° para bloquear o tambor. Retire a outra lâmina como descrito acima. Retire a placa de regulação da lâmina. (Fig. 11 e 12)

2. Instalação das lâminas

⚠️ PRECAUÇÃO:

- Utilize só a chave de tubo da Makita fornecida para apertar os pernos de instalação da lâmina. O uso de qualquer outra chave de tubo pode causar aperto excessivo ou insuficiente dos pernos, resultando em danos sérios.

Só para lâminas descartáveis

Arranje um bloco de Madeira uniforme com aproximadamente 300 mm de comprimento e 100 mm de largura. Coloque a lâmina e a placa de regulação no bloco de madeira de modo que o rebordo de localização da lâmina da placa de regulação esteja sobre a ranhura da lâmina. Regule a placa de regulação de modo a que as duas extremidades da lâmina estejam a 1 mm da placa da regulação. Coloque os dois suportes magnéticos na placa de regulação e empurre-os até que a garra esteja em contacto com a lâmina. (Fig. 13)

Agarre no suporte magnético e deslize o salto da placa de regulação na ranhura no tambor. Instale os pernos de instalação da lâmina. (Fig. 9)

Depois de apertar todos os pernos de instalação da lâmina ligeira e uniformemente do centro para o exterior, aperte-os completamente seguindo a mesma sequência. Retire os suportes magnéticos da placa de regulação.

Instale a outra lâmina como descrito acima. Rode o tambor devagar enquanto pressiona a placa de bloqueio para se certificar de que não há nada de anormal. Em seguida instale a cobertura de aparas e a cobertura lateral. (Fig. 10)

⚠️ PRECAUÇÃO:

- Não aperte os pernos de instalação da lâmina sem o rebordo de localização da lâmina estar correctamente assente na ranhura da lâmina. Pode estragar a lâmina e potencialmente aleijar o operador.
- Não ligue a ferramenta com a cobertura de aparas retirada.
- Quando a instala a cobertura de aparas, certifique-se de que a corrente não ficou presa na cobertura de aparas.

Só para lâminas normais

Coloque a lâmina na guia da lâmina de modo a que a extremidade da lâmina esteja perfeitamente nivelada com o interior da nervura da frente (A). Coloque a placa de regulação na lâmina e em seguida pressione suavemente o tacão da placa de regulação para o nivelar com o lado posterior da guia da lâmina (B). Aperte os parafusos para prender a placa de regulação à lâmina. **(Fig. 14)**

Deslize o tacão da placa de regulação na ranhura no tambor. Instale os pernos de instalação da lâmina. **(Fig. 15)**

Depois de apertar todos os pernos de instalação da lâmina ligeira e uniformemente do centro para o exterior, aperte-os completamente seguindo a mesma sequência. **(Fig. 16)**

Instale a outra lâmina como descrito acima. Rode o tambor devagar enquanto pressiona a placa de bloqueio para se certificar que tudo está normal. Em seguida instale a cobertura de aparas e a cobertura lateral.

⚠️ PRECAUÇÃO:

- Aperte os pernos de instalação da lâmina seguramente enquanto instala as lâminas.
- Não ligue a ferramenta com a cobertura de aparas aberta.
- Quando instala a cobertura de aparas, certifique-se de que que a corrente não ficou presa na cobertura de aparas.

Mudar o tipo de lâmina

Esta ferramenta pode utilizar tanto lâminas descartáveis como lâminas normais. Se desejar mudar o tipo de lâminas, compre e utilize as seguintes partes.

Mudar de lâmina normal para lâmina descartável		Mudar de lâmina descartável para outra lâmina normal	
Placa de regulação	2 pc	Placa de regulação	2 pc
Lâmina descartável (306 mm)	2 pc	Parafuso de cabeça M 4 x 6	4 pc
Suporte magnético	2 pc	Lâmina normal	2 pc
		Guia da lâmina	1 pc

Conjunto de capote (Fig. 17)

Quando deseja manter uma operação limpa com recolha fácil de pó, ligue o aspirador à garlopa utilizando este capote.

Solte os parafusos de paragem que prendem a cobertura de aparas. Ligue o capote à garlopa e prenda a cobertura de aparas ao capote apertando os parafusos de precisão.

⚠️ PRECAUÇÃO:

- Quando instala o conjunto do capote, certifique-se de que a corrente não ficou presa na cobertura de aparas ou no conjunto do capote. **(Fig. 18)**

OPERAÇÃO

⚠️ PRECAUÇÃO:

- Duas ou mais peças de um cepo mais pequeno mas de espessura similar deve passar na garlopa dos dois lados. No entanto, deixe algum espaço entre o cepo para permitir que os rolamentos de alimentação agarrem a peça mais estreita de material. Se assim não for, uma peça muito pequena pode ser atirada para trás pela cabeça de corte.

Coloque a peça de trabalho direita sobre o topo da mesa.

Determine a profundidade de corte como descrito acima.

Ligue a ferramenta e espere até que as lâminas atinjam a velocidade máxima. A peça de trabalho não deve estar em contacto com os rolamentos de alimentação quando liga a ferramenta.

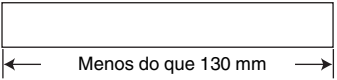

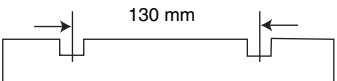
Em seguida coloque a peça de trabalho nivelada com o topo da mesa.

Quando corta uma peça de trabalho longa ou pesada, levante ligeiramente a extremidade no início e no fim do corte para evitar goivadura ou corte brusco. **(Fig. 19)**

A utilização do topo da ferramenta permite. Isto é muito conveniente com dois operadores. **(Fig. 20)**

PRECAUÇÃO:

- Peças de trabalho com as seguintes dimensões não podem ser alimentadas na ferramenta porque o intervalo entre os dois rolamentos de alimentação é de 129 mm. Não tente cortá-los.

1		Menos do que 130 mm de comprimento
2		Com uma ranhura com mais do que 130 mm de largura
3		Com ranhuras a intervalos de 130 mm de largura

- Para a ferramenta quando a peça de trabalho fica encravada. Continuar a funcionar com a ferramenta quando uma peça de trabalho está encravada causa grande desgaste dos cilindros de alimentação.

MANUTENÇÃO

PRECAUÇÃO:

- Certifique-se sempre de que a ferramenta está desligada e a ficha retirada da tomada antes de tentar executar qualquer inspeção ou manutenção.
- Nunca utilize gasolina, benzina, diluente, álcool ou produtos semelhantes. Pode ocorrer a descoloração, deformação ou rachaduras.

Regulação da mesa de apoio (Fig. 21 e 22)

O peso da mesa de apoio foi regulado na fábrica. Se necessitar de maior regulação, proceda como se segue. Coloque um postal na mesa e coloque uma régua no postal. Rode o parafuso de regulação com a chave hexagonal até que a extremidade da mesa de apoio entre em contacto com a régua. Nesta altura a extremidade da mesa de apoio está de 0,1 mm a 0,3 mm acima da superfície da mesa.

Substituição das escovas de carvão (Fig. 23 e 24)

Retire e inspeccione as escovas de carvão regularmente. Substitua-as quando estiverem gastas até à marca limite. Mantenha as escovas de carvão limpas e a deslizarem livremente nos suportes. As duas escovas de carvão devem ser substituídas ao mesmo tempo. Utilize só escovas de carvão idênticas.

Utilize uma chave de parafusos para retirar as tampas do porta-escovas. Retire as escovas de carvão usadas e coloque as novas e prenda as tampas do porta-escovas.

Manter as lâminas afiadas

Lâminas rombas podem causar um mau acabamento, sobrecarga do motor e recuo perigoso da peça de trabalho. Substitua lâminas rombas imediatamente.

Lubrificação (Fig. 25)

Lubrifique a corrente (depois de retirar a cobertura do lado R (D), as quarto colunas e os parafusos para elevar o quadro principal. Deve executar lubrificação periódica com óleo para máquina.

PRECAUÇÃO:

- Lubrificação e toda a manutenção deve ser executada com a ferramenta desligada e a ficha retirada da tomada.

Limpeza

Limpe sempre qualquer poeira, aparas ou matérias estranhas aderente às superfícies rolantes, ventilações do motor e tambores.

Limite de amolação da lâmina normal (Fig. 26)

Não utilize a lâmina normal que tenha um comprimento de lâmina inferior a 4 mm.

Para manter a **SEGURANÇA** e **FIABILIDADE**, as reparações e outras acções de manutenção ou ajustes devem ser executados pelos Centros de assistência autorizados da Makita, utilizando sempre peças de substituição Makita.

ACESSÓRIOS

PRECAUÇÃO:

- Estes acessórios ou peças são recomendados para utilização com a ferramenta Makita especificada neste manual. A utilização de outros acessórios ou peças pode ser perigosa para as pessoas. Utilize apenas acessórios ou peças para os fins indicados.

Se precisar de ajuda para obter mais informações relativos a estes acessórios, entre em contacto com o centro de assistência Makita local.

- Suporte magnético
- Lâmina descartável
- Lâmina normal
- Guia da lâmina
- Chave de tubo 9
- Chave hexagonal 2,5
- Conjunto de capota
- Pés

Ruído

A característica do nível de ruído A determinado de acordo com EN61029:

Nível de pressão sonora (L_{pA}): 86 dB (A)

Nível de potência sonora (L_{WA}): 99 dB (A)

Variabilidade (K): 3 dB (A)

Utilize protectores para os ouvidos

ENH037-1

Só para países europeus**Declaração de conformidade CE**

Nós, a Makita Corporation, fabricante responsável, declaramos que a(s) seguinte(s) ferramenta(s)

Makita:

Designação da ferramenta: Garlopa

Modelos n°/Tipo: 2012NB

são de produção de série e

Em conformidade com as seguintes directivas europeias:

2006/42/EC

E estão fabricados de acordo com as seguintes normas ou documentos normativos:

EN12100-1, IEC61029, EN860

Certificado de exame CE de tipo n° 10-SKM-CM-0523

O exame CE de tipo conforme a directiva 2006/42/CE foi realizado por:

Inspecta Sweden AB

PO Box 30100

SE-104 25 STOCKHOLM, Suécia

Identificação n° 0409

A documentação técnica é mantida pelo nosso representante autorizado na Europa:

Makita International Europe Ltd.

Michigan Drive, Tongwell,

Milton Keynes, MK15 8JD, Inglaterra

3.3.2010




Tomoyasu Kato
Director

Makita Corporation
3-11-8, Sumiyoshi-cho,
Anjo, Aichi, JAPAN

Illustrationsoversigt

1 Bærehåndtag	15 Stopperdrejeknap	29 Bladmåler
2 Underbord	16 Bordtop	30 Kappe
3 Bolt eller skrue	17 Låseplade	31 Spåndæksel
4 Kontrollampe	18 Skive	32 Retske
5 Afbryder	19 Tromle	33 Postkort
6 Håndsving	20 Kæde	34 Justerskrue
7 Skala	21 Fingerskrue	35 Sekskantnøgle
8 Hovedramme	22 Monteringsbolt til blad	36 Grænsemærke
9 Indikatorplade	23 Indstillingsplade	37 Børsteholderhætte
10 Dybdemåler	24 Magnetisk holder	38 Skruetrækker
11 Rille	25 Blad	39 Søjle
12 Dybdeindstillingsmåler	26 Klo	40 Base
13 Stopper	27 Topnøgle	41 Mere end 4 mm
14 Stopperknap	28 Skrue	

SPECIFIKATIONER

Model	2012NB
Skærebredde	304 mm
Maksimal skærebredde	3,0 mm træblokbredde mindre end 150 mm 1,5 mm træblokbredde fra 150 mm til 240 mm 1,0 mm træblokbredde fra 240 mm til 304 mm
Fremføringshastighed (min ⁻¹)	8,5 m
Bordstørrelse (B x L)	304 mm x 771 mm
Ubelastet hastighed (min ⁻¹)	8 500
Længde ialt (B x L x H)	483 mm x 771 mm x 401 mm
Nettovægt	28,1 kg
Sikkerhedsklasse	 /II

- Ret til tekniske ændringer forbeholdes.
- Specifikationer kan variere fra land til land.
- Vægt i henhold til EPTA-Procedure 01/2003

GEA010-1

Tilsigtet anvendelse

Denne maskine er beregnet til høvling af træ.

ENE001-1

ENF002-1

Strømforsyning

Maskinen må kun tilsluttes en strømforsyning med samme spænding som angivet på typeskiltet, og kan kun anvendes på enfaset vekselstrømforsyning. I henhold til de europæiske retningslinier er den dobbeltisoleret og kan derfor også tilsluttes netstik uden jordforbindelse.


ENF100-1

For offentlige lavspændingsnet på mellem 220 V og 250 V

Tænd og sluk af elektriske apparater medfører spændingssvingninger. Anvendelse af denne maskine under uheldige lysnetforsyningsforhold kan have negativ indflydelse på driften af andet udstyr. Ved en netimpedans svarende til eller mindre end 0,38 ohm, kan det antages, at der ikke vil være negative påvirkninger.

Stikkontakten, der anvendes til denne maskine, skal være beskyttet med en sikring eller en beskyttelsesafbryder med træg udløsning.

Almindelige sikkerhedsregler for el-værktøj

 **ADVARSEL** Læs alle sikkerhedsadvarsler og alle sikkerhedsinstruktioner. Hvis nedenstående advarsler og instruktioner ikke overholdes, kan resultatet blive elektrisk stød, brand og/eller alvorlig personskade.

Gem alle advarsler og instruktioner til fremtidig reference.

GEB006-1

SIKKERHEDSADVARSLER FOR TYKKELSEHØVL

1. Bær øjenbeskyttelse.
2. Anvend velegnet personligt beskyttelsesudstyr, når dette er nødvendigt, som for eksempel høreværn (ørepropper), indhaleringsbeskyttelse (støvmaske) og handsker, når De håndterer grove materialer.
3. Anvend ikke værktøjet på steder, hvor der forefindes antændelige væsker og gasser.
4. Forvis Dem om, at alle dæksler er monteret på plads inden brugen.
5. Håndter bladene med største forsigtighed.
6. Kontroller omhyggeligt bladene for revner eller anden beskadigelse inden brugen. Udskift revnede eller beskadigede blade med det samme.
7. Stram høvlbladets monteringsbolte godt til.

8. Fjern søm og rengør arbejdsstedet, inden skæring påbegyndes. Sø, sand og andre fremmedlegemer kan øve skade på bladene.
9. Lad være med at fjerne høvlspåner fra spånopsamlere, når motoren er igang. Fjern spånerne, når bladene er standset helt. Anvend altid en pind eller lignende til at fjerne spånerne.
10. Lad ikke værktøjet køre i tomgang.
11. Behandl altid ledningen med varsomhed. Ryk aldrig i ledningen, når den tages ud af stikket. Hold ledningen på god afstand af varme, olie, vand og skarpe kanter.
12. Maskinen bør kun anvendes til træ og lignende materialer.

GEM DISSE FORSKRIFTER.

⚠ ADVARSEL:

Lad IKKE bekvemmelighed eller kendskab til produktet (opnået gennem gentagen anvendelse) erstatte nøje overholdelse af sikkerhedsreglerne for det pågældende produkt. MISBRUG eller forsømmelse af at følge de i denne brugsvejledning givne sikkerhedsforskrifter kan føre til, at De kommer alvorligt til skade.

MONTERING

Transport og flytning af tykkelseshøvlen (Fig. 1)

⚠ FORSIGTIG:

- Se Dem godt for, når De flytter værktøjet.

Læg underbordene sammen. Hold i bærehåndtagene, når De bærer værktøjet.

Hvis værktøjet transporteres i et køretøj, skal det fastgøres med et reb eller på en anden sikker måde, så det ikke vælter eller bevæger sig.

Placering af tykkelseshøvlen (Fig. 2)

Anbring værktøjet på et god oplyst og plant sted, hvor De har godt fodfæste og kan opretholde en god balance. Bolt eller skru det til høvlebænken eller tykkelseshøvlistativet (ekstraudstyr) med brug af bolthullerne i grundpladen.

BESKRIVELSE AF FUNKTIONERNE

⚠ FORSIGTIG:

- Sørg altid for, at værktøjet er afbrudt og taget ud af forbindelse, inden De begynder at indstille eller kontrollere funktionen af værktøjet.

Afbryderanvendelse (Fig. 3)

⚠ FORSIGTIG:

- Kontroller altid, at værktøjet er afbrudt, inden De sætter det i forbindelse. Kontrollampen lyser, når værktøjet er sat i forbindelse med strømkilden.

Tryk på ON (I) knappen, når De vil starte værktøjet. Tryk på OFF (O) knappen, når De vil afbryde værktøjet.

Dimensional indstilling (Fig. 4)

Sænk hovedrammen ved at dreje håndsvinget i retningen mod uret, indtil indikatorpladen peger på den skalagraduering, som angiver den ønskede, afsluttede dimension. En fuld drejning af håndsvinget flytter hovedrammen 2 mm op eller ned. Skalaen har tommegradueringer på højre side og metriske gradueringer på venstre side.

Indstilling af skæredybde

Den maksimale skæredybde er forskellig, afhængigt af bredden af det arbejdsstykke, der skæres. Vi henviser til oversigten. Hvis De har behov for at fjerne mere end den i oversigten specificerede mængde, skal der indstilles en mindre skæredybde end mængden og laves to eller flere passager.

Bredde af det arbejdsstykke, der skæres	Maksimal dybde af skæring
Mindre end 150 mm	3,0 mm
150 mm – 240 mm	1,5 mm
240 mm – 304 mm	1,0 mm

Gå frem som vist herunder, når De indstiller skæredybden. Indsæt arbejdsstykket fladt på bordtoppen. Sænk hovedrammen ved at drej håndsvinget i retningen mod uret. Dybdemåleren hæves og mængden af målerhævningen angiver skæredybden. (Fig. 5)

⚠ FORSIGTIG:

- Sænk altid hovedrammen, når De sætter indikatorpladen ud for den graduering, som angiver den ønskede, afsluttede dimension. Hvis De hæver hovedrammen til den ønskede, afsluttede dimension, kan dette resultere i for meget slør i skruen. Dette kan medføre en uønsket dimension som slutresultat.
- Anbring altid arbejdsstykket på bordtoppen, når De forbestemmer skæredybden. I modsat fald vil den forbestemte skæredybde afvige fra den faktiske skæredybde.

Dybdeindstillingsmåler (Fig. 6)

Anvend dybdeindstillingsmåleren, hvis De har behov for at forbestemme skæredybden mere præcist. Gå frem som vist herunder for at gøre dette.

1. Høvl først arbejdsstykket med den forbestemte skæredybde. Mål tykkelsen af det høvlede arbejdsstykke, så De ved, hvor meget mere materiale, du skal fjerne.
2. Drej dybdejusteringsmåleren på håndsvinget, indtil 0-gradueringen står ud for rillen på værktøjet.
3. Drej nu håndsvinget i retningen mod uret, indtil gradueringen for den ønskede dybde står ud for rillen på værktøjet.
4. Hvis De har behov for at fjerne mere end den i oversigten i afsnittet "Indstilling af skæredybden" specificerede mængde, skal der indstilles en mindre skæredybde end mængden og laves to eller flere passager.

Stopper (Fig. 7)

Anvend stopperen, hvis De har behov for at høvle flere arbejdsstykker til den samme tykkelse. Gå frem som vist herunder for at gøre dette.

1. Drej håndsvinget, indtil indikatorpladen peger på den skalagraduering, som angiver den ønskede, afsluttede dimension.
2. Tryk stopperknappen ned og sænk stopperen, indtil den lige netop kommer i kontakt med bordtoppen.
3. Drej stopperknappen, hvis De vil finjustere stopperen.

FORSIGTIG:

- Når stopperen ikke anvendes, skal den altid hæves til den øverste stilling. Drej aldrig håndsvinget med magt, når stopperen er i kontakt med bordtoppen. Dette kan bervirke, at værktøjet lider skade.

SAMLING

FORSIGTIG:

- Sørg altid for, at værktøjet er afbrudt og taget ud af forbindelse, inden De begynder at udføre noget arbejde på det.

Udskiftning af bladene

FORSIGTIG:

- Hånder bladene yderst forsigtigt, når De tager dem ud eller monterer dem, således at De ikke skærer Dem eller på anden måde komme til skade og for at forhindre at bladene lider skade. Bladene er overordentlig skarpe.
- Fjern alle høvspåner, støv, resin eller fremmedlegemer, som måtte have sat sig fast på tromlen eller bladene, inden De monterer bladene.
- Anvend blade, der holder de samme mål og den samme vægt, da der ellers vil opstå tromle-oscillation/vibration, som vil medføre en dårlig skæring og i det lange løb elektrisk gennemslag af værktøjet.
- Skift altid begge blade ud samtidigt.
- Bladet, som er af smid-væk-typen, har en skærekant på begge sider. Når den ene skærekant er blevet sløv, kan du skifte til anvendelse af den anden skærekant. Fjern altid resin og snavs, som måtte have sat sig fast på bagsiden af bladet, inden du begynder at anvende den anden skærekant. Dette blad må ikke skærpes. Når begge skærekanter er blevet sløve, bør bladet kasseres på forskriftsmæssig vis.

1. Udtagning af blade

Løsn fingerskruen, som fastholder spåndækslet, og tag spåndækslet af. Fjern de skruer, som fastholder dækslet i højre side. Fjern derefter dækslet i højre side. Drej skiven, indtil tromlen kan låses i den stilling, hvor bladets monteringsbolte vender opad. **(Fig. 8)**

Gælder kun engangsblade

Anbring de to magnetiske holdere på indstillingspladen og tryk dem i retningen vist med pilen, indtil kloen kommer i berøring med bladet. Fjern bladets seks monteringsbolte ved hjælp af topnøglen. Tag fat i de magnetiske holdere og træk dem lige op for at fjerne indstillingspladen og bladet fra tromlen. Tryk på låsepladen og drej skiven 180° for at låse tromlen. Fjern de andre blade som beskrevet herover. **(Fig. 9 og 10)**

Gælder kun standardblade

Fjern bladets seks monteringsbolte ved hjælp af topnøglen. Træk indstillingspladen og bladet lige op for at fjerne dem fra tromlen. Tryk på låsepladen og drej tromlen ved at dreje skiven 180° for at låse tromlen. Fjern de andre blade som beskrevet herover. Fjern indstillingspladen fra bladet. **(Fig. 11 og 12)**

2. Montering af bladene

FORSIGTIG:

- Anvend kun den medfølgende Makita-topnøgle til at stramme bladets monteringsbolte. Anvendelse af andre topnøgler kan medføre overstramning eller understramning af boltene, hvilket kan medføre alvorlig personskaade.

Gælder kun engangsblade

Klargør en flad træblok, som er omkring 300 mm lang og 100 mm bred. Anbring bladet og indstillingspladen på træpladen, således at bladindstillingstappen på indstillingspladen hviler i rillen på bladet. Indstil indstillingspladen således, at begge ender af bladet stikker omkring 1 mm frem fra enden af indstillingspladen. Anbring de to magnetiske holdere på indstillingspladen og tryk på dem, indtil kloen kommer i berøring med bladet. **(Fig. 13)**

Tag fat i den magnetiske holder og lad bagkanten på indstillingspladen glide ind i rillen i tromlen. Monter bladets monteringsbolte. **(Fig. 9)**

Stram bladets monteringsbolte en smule og ensartet fra midten mod ydersiden og stram dem derefter helt i samme rækkefølge. Fjern de magnetiske holdere fra indstillingspladen.

Monter det andet blad ved at gå frem som beskrevet herover. Drej tromlen langsomt, mens du trykker på indstillingspladen, for at sikre, at der ikke er noget unormalt. Monter derefter spåndækslet og sidedækslet. **(Fig. 10)**

FORSIGTIG:

- Stram ikke bladets monteringsbolte, uden at bladindstillingstappen på indstillingspladen hviler korrekt i rillen på bladet. Dette kan medføre skade på bladet og give risiko for, at operatøren kommer til skade.
- Tænd ikke for værktøjet med spåndækslet aftaget.
- Sørg for, når du monterer spåndækslet, at kæden ikke griber fat i spåndækslet.

Gælder kun standardblade

Anbring bladet på bladmåleren, således at bladkanten flugter nøjagtigt med indersiden af forribben (A). Anbring indstillingspladen på bladet og tryk derefter forsigtigt på bagkanten af indstillingspladen, indtil den er ud for bagsiden af bladmåleren (B). Stram skruerne, så indstillingspladen fastgøres til bladet. **(Fig. 14)**

Lad bagkanten på indstillingspladen glide ind i rillen i tromlen. Monter bladets monteringsbolte. **(Fig. 15)** Stram bladets monteringsbolte en smule og ensartet fra midten mod ydersiden og stram dem derefter helt i samme rækkefølge. **(Fig. 16)**

Monter det andet blad som beskrevet herover. Drej tromlen langsomt, mens du trykker på indstillingspladen, for at sikre at der ikke er noget unormalt. Monter derefter spåndækslet og sidedækslet.

FORSIGTIG:

- Stram bladets monteringsbolte godt til, når du monterer bladene.
- Tænd ikke for værktøjet med spåndækslet åbent.
- Sørg for, når du monterer spåndækslet, at kæden ikke griber fat i spåndækslet.

Hvis du vil skifte bladtype

Dette værktøj kan anvendes med såvel engangsblade som standardblade. Anskaf og brug de følgende dele, hvis du ønsker at skifte bladtype.

Skift fra standardblad til engangsblad		Skift fra engangsblad til standardblad	
Indstillingsplade	2 pcs.	Indstillingsplade	2 pcs.
Engangsblad (306 mm)	2 pcs.	Panhovedskrue M 4 x 6	4 pcs.
Magnetholder	2 pcs.	Standardblad	2 pcs.
		Bladmåler	1 pcs.

Kappe (Fig. 17)

Hvis De ønsker at arbejde i rene omgivelser uden støv, skal De tilslutte støvsugeren til tykkelseshøvlen ved hjælp af denne kappe.

Løsn fingerskruerne, som fastholder spåndækslet. Monter kappen på tykkelseshøvlen og fastgør spåndækslet og kappen samtidigt ved at stramme fingerskruerne.

⚠ FORSIGTIG:

- Sørg for, når De monterer kappen, at kæden ikke sætter sig fast i spåndækslet eller kappen. (Fig. 18)

ANVENDELSE

⚠ FORSIGTIG:

- To eller flere stykker smal træblok, men af samme tykkelse, kan føres gennem tykkelseshøvlen ved siden af hinanden. Sørg dog for et passende mellemrum mellem træblokkene, så fremføringsrullerne kan gribe fat i den tyndeste stok. Ellers vil der være risiko for, at et lidt mindre stykke kan blive slynget tilbage af skærehovedet.

Anbring arbejdsstykket fladt på bordtoppen.

Bestem dybden af skæringen som tidligere beskrevet.

Tænd for værktøjet og vent, indtil bladene er kommet op på fuld hastighed. Arbejdsstykket bør ikke være i berøring med fremføringsrullen, når der tændes for værktøjet.

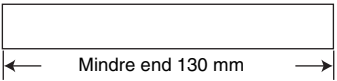
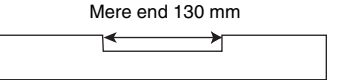
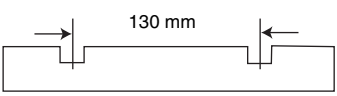
Sæt derefter arbejdsstykket ind, så det flugter med bordtoppen.

Ved skæring i et langt eller tungt arbejdsstykke, skal enden af dette løftes en smule op ved begyndelsen og afslutningen af skæringen for at undgå, at udhuling og nippen yderst i enderne af arbejdsstykket finder sted. (Fig. 19)

Anvendelse af værktøjstoppen muliggør en hurtig og nem tilbageføring af arbejdsstykket til indføringsbordsiden. Dette er i særlig grad bekvemt, hvis der er to operatører. (Fig. 20)

⚠ FORSIGTIG:

- Et arbejdsstykke med de følgende mål kan ikke føres ind i værktøjet, fordi intervallet mellem to fremføringsruller er 129 mm. Forsøg ikke at skære dem.

1		Mindre end 130 mm lang
2		Med en rille mere end 130 mm bred
3		Med riller med 130 mm brede intervaller

- Stop værktøjet, hvis arbejdsstykket har sat sig fast. Hvis værktøjet får lov til at køre, mens arbejdsstykket sidder fast, vil resultatet blive, at fremføringsrullerne hurtigt nedslides.

VEDLIGEHOJDELSE

⚠ FORSIGTIG:

- Vær altid sikker på, at værktøjet er afbrudt og taget ud af forbindelse, inden De underkaster det eftersyn og vedligeholdelse.
- Anvend aldrig benzin, rensebenzin, fortynder, alkohol og lignende. Resultatet kan blive misfarvning, deformation eller revner.

Indstilling af højden af underbordet (Fig. 21 og 22)

Højden af underbordet er fabriksindstillet. Gå frem som beskrevet herunder, hvis yderligere indstilling af højden er nødvendig.

Anbring et postkort på bordet og læg en retske på postkortet. Drej nu justerskruen med sekskantnøglen, indtil enden af underbordet kommer i berøring med retsken. Nu er enden af underbordet fra 0,1 mm til 0,3 mm over bordfladen.

Udskiftning af kulbørsterne (Fig. 23 og 24)

Kulbørsterne skal tages ud og undersøges med jævne mellemrum. Skift dem ud, hvis de er slidt ned til grænsemærket. Hold altid kulbørsterne rene og sørg for, at de kan glide ubesværet i holderne. Begge kulbørster bør skiftes ud samtidigt. Anvend udelukkende identiske kulbørster.

Fjern børsteholderhætterne ved hjælp af en skruetrækker. Tag de udslidte kulbørster ud, sæt de nye ind, og sæt børsteholderhætterne på igen.

Hvordan bladene holdes skarpe

Sløve blade kan resultere i en ujævn finish, overbelastning af motoren og farligt tilbageslag af arbejdsstykket. Sløve blade skal straks udskiftes.

Smøring (Fig. 25)

Smør kæden (efter at sidedæksel R er taget af), de fire søjler og skruerne til hævnning af stativet. Denne periodiske smøring bør udføres med maskinolie.

⚠ FORSIGTIG:

- Smøring og al vedligeholdelse bør udføres, mens værktøjet er afbrudt og taget ud af forbindelse.

Rengøring

Sørg altid for at fjerne snavs, spåner og fremmedlegemer fra rullefladerne, motor-ventilationsåbningerne og tromlerne.

Grænse for skærping af standardblade (Fig. 26)

Anvend ikke standardblade, hvis bladlængde er under 4 mm.

For at opretholde produktets SIKKERHED og PÅLIDELIGHED bør reparation, vedligeholdelse og justering kun udføres af et Makita Service Center med anvendelse af originale Makita udskiftningsdele.

TILBEHØR

⚠ FORSIGTIG:

- Det følgende tilbehør og ekstraudstyr er anbefalet til brug med Deres Makita maskine, der er beskrevet i denne brugsanvisning. Anvendelse af andet tilbehør eller ekstraudstyr kan udgøre en risiko for personskade. Anvend kun tilbehør og ekstraudstyr til det beskrevne formål.

Hvis De har behov for yderligere detaljer om dette tilbehør, bedes De kontakte Deres lokale Makita Service Center.

- Magnetisk holder
- Engangsblad
- Standardblad
- Bladmåler
- Topnøgle 9
- Sekskantnøgle 2,5
- Kappe
- Stativ

ENG905-1

Lyd

Det typiske A-vægtede støjniveau bestemt i overensstemmelse med EN61029:

Lydtryksniveau (L_{pA}): 86 dB (A)

Lydeffektniveau: (L_{WA}): 99 dB (A)

Usikkerhed (K): 3 dB (A)

Bær høreværn

ENH037-1

Kun for lande i Europa

EU-konformitetserklæring

Vi, Makita Corporation, erklærer, som den ansvarlige fabrikant, at den (de) følgende Makita maskine(r):

Maskinens betegnelse: Tykkelseshøvl

Model nr./Type: 2012NB

er af serieproduktion og

opfylder betingelserne i de følgende EU-direktiver:

2006/42/EC

og er fremstillet i overensstemmelse med de følgende standarder eller standardiserede dokumenter:

EN12100-1, IEC61029, EN860

EU type-undersøgelsescertifikat nr. 10-SKM-CM-0523

EU type-undersøgelse pr. 2006/42/EU er udført af:

Inspecta Sweden AB

Postboks 30100

SE-104 25 STOCKHOLM, Sverige

Identifikationsnr. 0409

Den tekniske dokumentation opbevares af vores autoriserede repræsentant i Europa, som er:

Makita International Europe Ltd.

Michigan Drive, Tongwell,

Milton Keynes, MK15 8JD, England

3.3.2010




Tomoyasu Kato
Direktør

Makita Corporation
3-11-8, Sumiyoshi-cho,
Anjo, Aichi, JAPAN

Περιγραφή γενικής άποψης

1	Λαβή μεταφοράς	15	Λαβή τερματιστή	28	Βίδα
2	Υπο-τραπέζιο	16	Επιφάνεια τραπέζιου	29	Μετρητής λάμας
3	Μπουλόνι ή βίδα	17	Πλάκα ασφάλισης	30	Σύνολο καλύπτρας
4	Πιλοτική λάμπα	18	Τροχαλία	31	Κάλυμμα αποκομμάτων
5	Διακόπτης	19	Τύμπανο	32	Χάρακας
6	Λαβή Στροφάλου	20	Αλυσίδα	33	Κάρτα
7	Κλίμακα	21	Κεφαλόβιδα	34	Ρυθμιστική βίδα
8	Κύριο πλαίσιο	22	Μπουλόνι εγκατάστασης	35	Εξαγωνικό κλειδί
9	Ενδεικτική πλάκα		λάμας	36	Σημάδι ορίου
10	Μετρητής βάθους	23	Πλάκα ρύθμισης	37	Καπάκι ψήκτρας άνθρακα
11	Εγκοπή	24	Μαγνητική θήκη	38	Κατσαβίδι
12	Μετρητής ρύθμισης βάθους	25	Λάμα	39	Στήλη
13	Τερματιστής	26	Αρπάγη	40	Βάση
14	Κουμπί τερματιστή	27	Κοίλο κλειδί	41	Περισσότερο από 4 χιλ

ΤΕΧΝΙΚΑ ΧΑΡΑΚΤΗΡΙΣΤΙΚΑ

Μοντέλο	2012NB
Πλάτος κοπής	304 χιλ.
Μεγ. Βάθος κοπής	3,0 χιλ υλικού πλάτους μικρότερου από 150 χιλ 1,5 χιλ υλικού πλάτους από 150 χιλ έως 240 χιλ 1,0 χιλ υλικού πλάτους από 240 χιλ έως 304 χιλ
Ρυθμός τροφοδοσίας (λεπ ⁻¹)	8,5 μ
Μέγεθος τραπέζιου (Π x Μ)	304 χιλ x 771 χιλ
Ταχύτητα χωρίς φορτίο (λεπ ⁻¹)	8500
Ολικό μήκος (Π x Μ x Υ)	483 χιλ x 771 χιλ x 401 χιλ
Βάρος καθαρό	28,1 Χγρ.
Κατηγορία ασφάλειας	 /II

ENF100-1

- Λόγω του συνεχιζόμενου προγράμματος έρευνας και ανάπτυξης, οι παρούσες προδιαγραφές υπόκεινται σε αλλαγή χωρίς προειδοποίηση.
- Τα τεχνικά χαρακτηριστικά μπορεί να διαφέρουν από χώρα σε χώρα.
- Βάρος σύμφωνα με διαδικασία ΕΡΤΑ 01/2003

ENE001-1

Προοριζόμενη χρήση

Αυτό το εργαλείο προορίζεται για πλάνισμα ξύλου.

ENF002-1

Ρευματοδότηση

Το μηχάνημα πρέπει να συνδέεται μόνο σε παροχή ρεύματος της ίδιας τάσης με αυτή που αναφέρεται στην πινακίδα κατασκευαστού και μπορεί να λειτουργήσει μόνο με εναλλασσόμενο μονοφασικό ρεύμα. Τα μηχανήματα αυτά έχουν διπλή μόνωση σύμφωνα με τα Ευρωπαϊκά Πρότυπα και κατά συνέπεια, μπορούν να συνδεθούν σε ακροδέκτες χωρίς σύρμα γείωσης.

GEA010-1

Για δημόσια συστήματα διανομής ηλεκτρικού ρεύματος χαμηλής τάσεως μεταξύ 220 V και 250 V

Η αλλαγή λειτουργιών ηλεκτρικής συσκευής προκαλεί διακυμάνσεις τάσεως. Η λειτουργία αυτής της συσκευής κάτω από άσχημες συνθήκες παροχής ηλεκτρικού ρεύματος μπορεί να έχει ενάντια αποτελέσματα στη λειτουργία άλλου εξοπλισμού. Με μία σύνθετη αντίσταση ίση ή μικρότερη από 0,38 Ωμ μπορεί να θεωρηθεί πιθανό ότι δεν θα προκύψουν αρνητικά αποτελέσματα.

Η υποδοχή παροχής ρεύματος για την συσκευή αυτή πρέπει να προστατεύεται από μία ασφάλεια ή ένα προστατευτικό κύκλωμα διακόπτη που να έχει αργά χαρακτηριστικά αποσύνδεσης.

Γενικές προειδοποιήσεις ασφαλείας για το ηλεκτρικό εργαλείο

⚠️ ΠΡΟΕΙΔΟΠΟΙΗΣΗ Διαβάστε όλες τις προειδοποιήσεις ασφαλείας και όλες τις οδηγίες. Η μη τήρηση των προειδοποιήσεων και οδηγιών ενδέχεται να καταλήξει σε ηλεκτροπληξία, πυρκαγιά ή/και σοβαρό τραυματισμό.

Φυλάξτε όλες τις προειδοποιήσεις και τις οδηγίες για μελλοντική παραπομπή.

Τοποθέτηση του μηχανήματος πλανίσματος (Εικ. 2)

Τοποθετείστε το εργαλείο σε ένα μέρος καλά φωτισμένο και επίπεδο όπου μπορείτε να έχετε καλή ισορροπία και πρόσβαση με τα πόδια. Στερεώστε το με μπουλόνια / βίδες στον πάγκο εργασίας ή στην βάση του μηχανήματος πλανίσματος (προαιρετικό εξάρτημα) χρησιμοποιώντας τις τρύπες μπουλονιών που υπάρχουν στην βάση.

ΠΕΡΙΓΡΑΦΗ ΛΕΙΤΟΥΡΓΙΑΣ

⚠️ ΠΡΟΣΟΧΗ:

• Πάντοτε βεβαιώνετε ότι το εργαλείο είναι σβηστό και αποσυνδεδεμένο πριν ρυθμίσετε ή ελέγξετε κάποια λειτουργία στο εργαλείο.

Δράση διακοπή (Εικ. 3)

⚠️ ΠΡΟΣΟΧΗ:

• Πριν συνδέσετε το εργαλείο στο ρεύμα βεβαιωθείτε ότι το εργαλείο είναι σβηστό. Η πιλοτική λάμπα φωτίζεται όταν το εργαλείο συνδέεται στην πηγή ρεύματος.

Για να ξεκινήσει το εργαλείο, πατήστε το κουμπί ON (I). Για να σταματήσει, πατήστε το κουμπί OFF (O).

Διαστασιακή ρύθμιση (Εικ. 4)

Χαμηλώστε το κύριο πλαίσιο γυρίζοντας την λαβή στροφάλου αριστερόστροφα μέχρι η ενδεικτική πλάκα να δείχνει στην κλίμακα βαθμολογίας την επιθυμητή τελική διάσταση. Μία πλήρης στροφή της λαβής στροφάλου μετακινεί το κύριο πλαίσιο 2 χιλ πάνω ή κάτω. Η κλίμακα έχει διαβαθμίσεις σε ίντσες στην δεξιά της πλευρά και μετρικές διαβαθμίσεις στην αριστερή της πλευρά.

Ρύθμιση βάθους κοπής

Το μέγιστο βάθος κοπής διαφέρει εξαρτώμενο από το πλάτος του υπό κοπή τεμαχίου εργασίας. Αναφερθείτε στον πίνακα. Όταν χρειάζεται να αφαιρέσετε περισσότερο από το μέγεθος που αναφέρεται στον πίνακα, ρυθμίστε το βάθος κοπής ρηχότερα από το εν λόγω μέγεθος και κάνετε δύο ή περισσότερα περάσματα.

Πλάτος υπό κοπή τεμαχίου εργασίας	Μέγιστο βάθος κοπής
Λιγότερο από 150 χιλ	3,0 χιλ
150 χιλ – 240 χιλ	1,5 χιλ
240 χιλ – 304 χιλ	1,0 χιλ

Για ρύθμιση του βάθους κοπής, προχωρήστε ως ακολούθως:

Βάλτε το τεμάχιο εργασίας επίπεδα στο τραπέζι. Χαμηλώστε το κύριο πλαίσιο στρίβοντας την λαβή του στροφάλου αριστερόστροφα. Ο μετρητής βάθους θα ανυψωθεί και το μέγεθος ανύψωσης του μετρητή δείχνει το βάθος κοπής. (Εικ. 5)

ΠΡΟΕΙΔΟΠΟΙΗΣΕΙΣ ΑΣΦΑΛΕΙΑΣ ΜΗΧΑΝΗΜΑΤΟΣ ΠΛΑΝΙΣΜΑΤΟΣ

1. Φοράτε προστατευτικά ματιών.
2. Φοράτε κατάλληλα προσωπικά προστατευτικά μέσα όταν είναι απαραίτητο, όπως προστατευτικά ακοής (ωτασπίδες), προστατευτικά αναπνοής (μάσκα σκόνης) και γάντια όταν χειρίζεστε ακατέργαστα υλικά.
3. Μη χρησιμοποιείτε το εργαλείο όταν υπάρχουν εύφλεκτα υγρά ή αέρια.
4. Βεβαιωθείτε ότι όλα τα καλύμματα είναι τοποθετημένα στην θέση τους πριν την λειτουργία.
5. Χειρίζετε τις λάμες πολύ προσεκτικά.
6. Ελέγχετε τις λάμες προεκκινάγια ρωγμές ή ζημιά πριν την λειτουργία. Αντικαταστήστε αμέσως λάμες με ρωγμές ή με ζημιές.
7. Σφίχτε με ασφάλεια τα μπουλόνια εγκατάστασης της λάμης πλανίσματος.
8. Αφαιρέστε τα καρφιά και καθαρίστε το τεμάχιο εργασίας πριν την κοπή. Καρφιά, άμμος ή ξένη ύλη μπορεί να προκαλέσουν ζημιά στη λάμα.
9. Μην αφαιρέσετε αποκόμματα από τον αγωγό αποκομμάτων όταν το μοτέρ λειτουργεί. Καθαρίστε τα αποκόμματα αφού οι λάμες σταματήσουν τελείως. Πάντοτε χρησιμοποιείτε μία ράβδο κλπ. όταν τα βγάζετε έξω.
10. Μην αφήνετε το εργαλείο να λειτουργεί.
11. Μη κακοχρησιμοποιείτε το καλώδιο. Ποτέ μη τραβάτε το καλώδιο για να το αποσυνδέσετε από την υποδοχή ρεύματος. Κρατάτε το καλώδιο μακριά από θερμότητα, έλαια, νερό και κοφτερές άκρες.
12. Το εργαλείο θα πρέπει να χρησιμοποιείται μόνο για ξύλο και παρόμοια υλικά.

ΦΥΛΑΞΕΤΕ ΑΥΤΕΣ ΤΙΣ ΟΔΗΓΙΕΣ.

⚠️ ΠΡΟΕΙΔΟΠΟΙΗΣΗ:

ΜΗΝ επιτρέψετε το βαθμό άνεσης ή εξοικείωσης με το προϊόν (λόγω επανειλημμένης χρήσης) να αντικαταστήσει την αυστηρή τήρηση των κανόνων ασφαλείας του παρόντος εργαλείου. **ΚΑΚΗ ΧΡΗΣΗ** ή αμέλεια να ακολουθήσετε τους κανόνες ασφαλείας που διατυπώνονται σ'αυτό το εγχειρίδιο οδηγιών μπορεί να προκαλέσει σοβαρό προσωπικό τραυματισμό.

ΕΓΚΑΤΑΣΤΑΣΗ

Μετακίνηση και μεταφορά του μηχανήματος πλανίσματος (Εικ. 1)

⚠️ ΠΡΟΣΟΧΗ:

• Προσέχετε τα βήματά σας όταν μετακινείτε το εργαλείο.

Διπλώστε τα υπο-τραπέζια. Πιάστε τις λαβές μεταφοράς όταν μετακινείτε το εργαλείο. Όταν το μετακινείτε με όχημα, ασφαλίστε το με ένα σχοινί ή με άλλα ουσιαστικά μέσα για να αποφύγετε πέσιμο ή μετακίνηση.

ΠΡΟΣΟΧΗ:

- Πάντοτε χαμηλώνετε το κύριο πλαίσιο όταν ευθυγραμμίζετε την ενδεικτική πλάκα με την διαβάθμιση που δείχνει την επιθυμητή τελική διάσταση. Εάν ανυψώσετε το κύριο πλαίσιο στην επιθυμητή τελική διάσταση, μπορεί να προκληθεί πρόσθετο παίξιμο στην βίδα. Αυτό μπορεί να προκαλέσει μία ανεπιθύμητη τελική διάσταση.
- Πάντοτε τοποθετείτε το τεμάχιο εργασίας επίπεδο πάνω στο τραπέζι όταν προκαθορίζετε το βάθος κοπής. Διαφορετικά, το προκαθορισμένο βάθος κοπής θα διαφέρει από το πραγματικό βάθος κοπής.

Μετρητής ρύθμισης βάθους (Εικ. 6)

Χρησιμοποιείτε τον μετρητή ρύθμισης βάθους όταν χρειάζεστε να προκαθορίσετε το βάθος κοπής με περισσότερη ακρίβεια. Για να το κάνετε, προχωρείστε ως ακολούθως.

1. Πρώτα, πλανίστε το τεμάχιο εργασίας στο προκαθορισμένο βάθος κοπής. Μετρήστε το πάχος του πλανισμένου τεμαχίου για να ξέρετε πόσο υλικό πρέπει ακόμα να αφαιρεθεί.
2. Γυρίστε τον μετρητή ρύθμισης βάθους στην λαβή στροφάλου μέχρι η διαβάθμιση 0 να ευθυγραμμισθεί με την εγκοπή στο εργαλείο.
3. Τώρα γυρίστε την λαβή στροφάλου αριστερόστροφα μέχρι η διαβάθμιση για το επιθυμητό βάθος κοπής ευθυγραμμιστεί με την εγκοπή στο εργαλείο.
4. Όταν χρειάζεται να αφαιρέσετε περισσότερο από το μέγεθος που αναφέρεται στον πίνακα, ρυθμίστε το βάθος κοπής ρηχότερα από το εν λόγω μέγεθος και κάνετε δύο ή περισσότερα Περάσματα.

Τερματιστής (Εικ. 7)

Χρησιμοποιείτε τον τερματιστή όταν χρειάζεστε να πλανίστε πολλά τεμάχια εργασίας στην ίδια πυκνότητα. Για να το κάνετε προχωρείστε ως ακολούθως.

1. Γυρίστε την λαβή στροφάλου μέχρι η ενδεικτική πλάκα δείχνει στην κλίμακα διαβάθμισης την επιθυμητή τελική διάσταση.
2. Πατήστε το κουμπί τερματιστή και χαμηλώστε τον τερματιστή μέχρι να ακουμπήσει την επιφάνεια του τραπέζιού.
3. Εάν χρειάζεστε ακριβή ρύθμιση του τερματιστή γυρίστε την λαβή του τερματιστή.

ΠΡΟΣΟΧΗ:

- Όταν ο τερματιστής δεν χρησιμοποιείται, πάντοτε ανυψώνετε τον στην υψηλότερη θέση. Ποτέ μην εξαναγκάσετε την λαβή στροφάλου όταν ο τερματιστής βρίσκεται σε επαφή με την επιφάνεια του τραπέζιού. Αυτό μπορεί να κάνει ζημιά στο εργαλείο.

ΣΥΝΑΡΜΟΛΟΓΗΣΗ

ΠΡΟΣΟΧΗ:

- Πάντοτε βεβαιώνετε ότι το εργαλείο είναι σβηστό και αποσυνδεδεμένο πριν εκτελέσετε οποιαδήποτε εργασία στο εργαλείο.

Αντικατάσταση λαμών

ΠΡΟΣΟΧΗ:

- Χειρίζεστε τις λάμες με μεγάλη προσοχή όταν τις αφαιρείτε ή τις τοποθετείτε για να αποφύγετε κοψίματα ή τραυματισμό αλλά και επίσης για να μη προκαλέσετε ζημιά στις λάμες. Οι λάμες κόβουν σαν ξυράφια.
- Καθαρίστε όλα τα αποκόμματα, σκόνη, ρητίνες ή ξένη ύλη που είναι κολλημένα στο τύμπανο ή στις λάμες πριν εγκαταστήσετε τις λάμες.
- Χρησιμοποιείτε λάμες των ίδιων διαστάσεων και βάρους αλλιώς θα συμβεί ταλάντωση / δόνηση τυμπάνου με αποτέλεσμα χαμηλή ποιότητα κοπής και τελικά βλάβη του εργαλείου.
- Αντικαταστήστε και τις δύο λάμες ταυτόχρονα.
- Η αναλώσιμη λάμα έχει κόψεις και από τις δύο άκρες. Όταν η μία άκρη κοπής αμβλυνθεί, μπορείτε να χρησιμοποιήσετε την άλλη. Πάντοτε αφαιρείτε ρητίνες και ρύπους που κολλάνε στην πίσω πλευρά της λάμας πριν χρησιμοποιήσετε την άλλη πλευρά κοπής. Αυτή η λάμα δεν πρέπει να ακονιστεί ξανά. Όταν και οι δύο κόψεις αμβλυνθούν η λάμα πρέπει να αχρηστευθεί και να πεταχθεί προσεκτικά.

1. Αφαίρεση λαμών

Χαλαρώστε την κεφαλόβίδα που ασφαλίζει το κάλυμμα αποκομμάτων και αφαιρέστε το κάλυμμα αποκομμάτων. Αφαιρέστε την βίδα που ασφαλίζει το κάλυμμα της δεξιάς πλευράς. Μετά αφαιρέστε το κάλυμμα της δεξιάς πλευράς. Γυρίστε την τροχαλία μέχρι που το τύμπανο να μπορεί να κλειδωθεί στην θέση όπου τα μπουλόνια εγκατάστασης της λάμας βλέπουν προς τα επάνω. (Εικ. 8)

Μόνο για αναλώσιμες λάμες

Βάλτε τις δύο μαγνητικές θήκες στην πλάκα ρύθμισης και σπρώχτε τις κατά την διεύθυνση του βέλους μέχρι που η αρπάγη αγγίζει την λάμα. Μετακινήστε τα έξι μπουλόνια εγκατάστασης λάμας χρησιμοποιώντας το κοίλο κλειδί. Πιάστε τις μαγνητικές θήκες και σηκώστε τις ίσια επάνω για να αφαιρέσετε την πλάκα ρύθμισης και την λάμα από το τύμπανο. Πατήστε την πλάκα ασφάλισης και γυρίστε την τροχαλία 180° για να κλειδώσετε το τύμπανο. Αφαιρέστε την άλλη λάμα όπως περιγράφεται παραπάνω. (Εικ. 9 και 10)

Μόνο για κανονικές λάμες

Μετακινήστε τα έξι μπουλόνια εγκατάστασης λάμας χρησιμοποιώντας το κοίλο κλειδί. Σηκώστε την πλάκα ρύθμισης και την λάμα ίσια επάνω για να τις αφαιρέσετε από το τύμπανο. Πατήστε την πλάκα ασφάλισης και περιστρέψτε το τύμπανο γυρίζοντας την τροχαλία 180° για να κλειδώσετε το τύμπανο. Αφαιρέστε την άλλη λάμα όπως περιγράφεται παραπάνω. Αφαιρέστε την πλάκα ρύθμισης από την λάμα. (Εικ. 11 και 12)

2. Εγκατάσταση λαμών

⚠️ ΠΡΟΣΟΧΗ:

- Χρησιμοποιείτε μόνο το κοίλο κλειδί Μάκιτα που παρέχεται για σφίξιμο των μπουλονιών. Η χρήση οποιοδήποτε άλλου τύπου κοίλου κλειδιού μπορεί να προκαλέσει είτε υπερβολικό είτε ανεπαρκές σφίξιμο, με αποτέλεσμα σοβαρό τραυματισμό.

Μόνο για αναλώσιμες λάμες

Ετοιμάστε μιιά επίπεδη ξύλινη βάση διαστάσεων περίπου 300 χιλ μήκους και 100 χιλ πλάτους. Τοποθετήστε την λάμα και την πλάκα ρύθμισης στην ξύλινη βάση έτσι ώστε το λοβίο εντόπισης της λάμας της πλάκας ρύθμισης να βρίσκεται στην εγκοπή της λάμας. Ρυθμίστε την πλάκα ρύθμισης έτσι ώστε και τα δύο άκρα της λάμας να προεξέχουν περίπου 1 χιλ πέραν της άκρης της πλάκας ρύθμισης. Τοποθετήστε τις δύο μαγνητικές θήκες στην πλάκα ρύθμισης και σπρώχτε τις μέχρι η αρπάγη να κάνει επαφή με την λάμα. **(Εικ. 13)**

Πιάστε την μαγνητική θήκη και σύρτε το τακούι της πλάκας ρύθμισης μέσα στην εγκοπή στο τύμπανο. Τοποθετήστε τα μπουλόνια εγκατάστασης της λάμας. **(Εικ. 9)**

Αφού σφίξετε όλα τα μπουλόνια εγκατάστασης της λάμας ελαφρά και ομοιόμορφα από το κέντρο προς τα έξω, σφίχτε τα πλήρως ακολουθώντας την ίδια σειρά. Αφαιρέστε τις μαγνητικές θήκες από την πλάκα ρύθμισης. Τοποθετήστε την άλλη λάμα όπως περιγράφεται παραπάνω. Περιστρέψτε το τύμπανο αργά ενώ πιέζετε την πλάκα ασφάλισης για να βεβαιωθείτε ότι τίποτε δεν είναι αντικανονικό. Μετά εγκαταστήστε το κάλυμμα αποκομμάτων και το πλευρικό κάλυμμα. **(Εικ. 10)**

⚠️ ΠΡΟΣΟΧΗ:

- Μη σφίγγετε τα μπουλόνια εγκατάστασης λάμας χωρίς το λοβίο εντόπισης λάμας της πλάκας ρύθμισης σωστά βαλμένο στην εγκοπή της λάμας. Αυτό μπορεί να προκαλέσει ζημιά στη λάμα και πιθανό τραυματισμό στον χειριστή.

Αλλαγή τύπου λάμας

Αυτό το εργαλείο μπορεί να δεχτεί είτε αναλώσιμες λάμες είτε κανονικές λάμες. Εάν θέλετε να αλλάξετε τον τύπο των λαμών, αγοράστε και χρησιμοποιήστε τα ακόλουθα ανταλλακτικά.

Αλλαγή από κανονική λάμα σε αναλώσιμη λάμα		Αλλαγή από αναλώσιμη λάμα σε κανονική λάμα	
Πλάκα ρύθμισης	2 τμχ.	Πλάκα ρύθμισης	2 τμχ.
Αναλώσιμη λάμα (306 χιλ)	2 τμχ.	Δισκοκέφαλη βίδα Μ 4 x 6	4 τμχ.
Μαγνητική θήκη	2 τμχ.	Κανονική λάμα	2 τμχ.
		Μετρητής λάμας	1 τμχ.

Σύνολο καλύπτρας (Εικ. 17)

Όταν θέλετε να διατηρήσετε καθαρές εργασίες με εύκολη συγκέντρωση σκόνης, συνδέστε την ηλεκτρική σκούπα στο μηχάνημα πλανίσματος χρησιμοποιώντας αυτή την καλύπτρα.

Χαλαρώστε τις κεφαλόβιδες που ασφαλίζουν το κάλυμμα αποκομμάτων. Συνδέστε το κάλυμμα στο μηχάνημα πλανίσματος και ασφαλίστε το κάλυμμα αποκομμάτων και την καλύπτρα μαζί σφίγγοντας τις κεφαλόβιδες.

- Μην ανάβετε το εργαλείο με το κάλυμμα αποκομμάτων βγαλμένο.
- Όταν τοποθετείτε το κάλυμμα αποκομμάτων βεβαιωθείτε ότι η αλυσίδα δεν έχει πιαστεί από το κάλυμμα αποκομμάτων.

Μόνο για κανονικές λάμες

Τοποθετήστε την λάμα στον μετρητή λάμας έτσι ώστε η άκρη της λάμας να είναι τέλεια ευθυγραμμισμένη με το εσωτερικό του εμπροσθίου πλευρού (Α). Τοποθετήστε την πλάκα ρύθμισης στην λάμα, μετά απαλά πιέστε το τακούι της πλάκας ρύθμισης για να ευθυγραμμιστεί με την πίσω πλευρά του μετρητή λάμας (Β). Σφίχτε τις βίδες να ασφαλίσετε την πλάκα ρύθμισης στην λάμα. **(Εικ. 14)**

Βάλτε το τακούι της πλάκας ρύθμισης μέσα στην εγκοπή στο τύμπανο. Τοποθετήστε τα μπουλόνια εγκατάστασης λάμας. **(Εικ. 15)**

Αφού σφίξετε όλα τα μπουλόνια εγκατάστασης της λάμας ελαφρά και ομοιόμορφα από το κέντρο προς τα έξω, σφίχτε τα πλήρως ακολουθώντας την ίδια σειρά. **(Εικ. 16)**

Εγκαταστήστε την άλλη λάμα όπως περιγράφεται παραπάνω. Περιστρέψτε το τύμπανο αργά ενώ πατάτε την πλάκα ασφάλισης για να βεβαιωθείτε ότι τίποτε δεν είναι αντικανονικό. Μετά εγκαταστήστε το κάλυμμα αποκομμάτων και το πλευρικό κάλυμμα.

⚠️ ΠΡΟΣΟΧΗ:

- Σφίχτε τα μπουλόνια εγκατάστασης λάμας με ασφάλεια όταν τοποθετείτε τις λάμες.
- Μην ανάβετε το εργαλείο με το κάλυμμα αποκομμάτων ανοικτό.
- Όταν τοποθετείτε το κάλυμμα αποκομμάτων βεβαιωθείτε ότι η αλυσίδα δεν έχει πιαστεί από το κάλυμμα αποκομμάτων.

⚠ ΠΡΟΣΟΧΗ:

- Όταν τοποθετείτε το σύνολο καλύμματος, βεβαιωθείτε ότι η αλυσίδα δεν έχει πιαστεί από το κάλυμμα αποκομμάτων ή το σύνολο καλύμματος. **(Εικ. 18)**

ΛΕΙΤΟΥΡΓΙΑ

⚠ ΠΡΟΣΟΧΗ:

- Δύο ή περισσότερα τεμάχια στενού αλλά ομοιόμορφου πάχους υλικού μπορούν να περάσουν μέσω του μηχανήματος πλάνισματος το ένα δίπλα στο άλλο. Όμως, αφήστε κάποια απόσταση μεταξύ των υλικών για να μπορούν οι κύλινδροι τροφοδοσίας να πιάσουν το λεπτότερο από τα υλικά. Διαφορετικά, ένα ελαφρά λεπτότερο τεμάχιο θα απωθηθεί προς τα πίσω από την κεφαλή κοπτικού.

Βάλτε το τεμάχιο εργασίας επίπεδα στην επιφάνεια του τραπέζιου.

Καθορίστε το βάθος κοπής όπως περιγράφηκε στα προηγούμενα.

Ανάψτε το εργαλείο και περιμένετε μέχρι οι λάμες να αποκτήσουν πλήρη ταχύτητα. Το τεμάχιο εργασίας δεν πρέπει να είναι σε επαφή με τον κύλινδρο τροφοδοσίας όταν ανάβετε το εργαλείο.

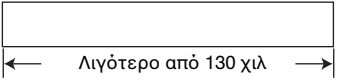
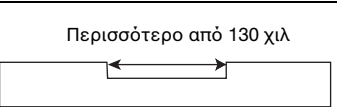
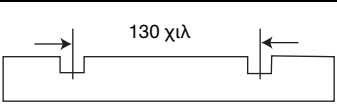
Μετά τοποθετείστε το τεμάχιο εργασίας ευθυγραμμισμένο με την επιφάνεια τραπέζιου.

Όταν κόβετε ένα μακρύ ή βαρύ τεμάχιο εργασίας, σηκώστε την άκρη του ελαφρά στην αρχή και στην λήξη της κοπής για να αποφύγετε κοιλώμα ή κόψιμο στις απώτερες άκρες του τεμαχίου εργασίας. **(Εικ. 19)**

Η χρήση της κορυφής του εργαλείου επιτρέπει γρήγορη και άκοπη επαναφορά του τεμαχίου εργασίας στην πλευρά τροφοδοσίας του τραπέζιου. Αυτό είναι ιδιαίτερα βολικό με δύο χειριστές. **(Εικ. 20)**

⚠ ΠΡΟΣΟΧΗ:

- Το τεμάχιο εργασίας με τις ακόλουθες διαστάσεις δεν μπορεί να τροφοδοτηθεί μέσα στο εργαλείο γιατί το διάστημα μεταξύ δύο κυλίνδρων τροφοδοσίας είναι 129 χιλ. Μη προσπαθήσετε να τους κόψετε.

1		Μικρότερο από 130 χιλ μήκος
2		Έχει εγκοπή πλάτους μεγαλύτερου από 130 χιλ
3		Έχει εγκοπές σε διαστήματα πλάτους 130 χιλ

- Σταματήστε το εργαλείο όταν το τεμάχιο εργασίας έχει ακινητοποιηθεί. Αφήνοντας το εργαλείο να λειτουργεί με ένα ακινητοποιημένο τεμάχιο εργασίας προκαλείται ταχεία φθορά των κυλίνδρων τροφοδοσίας.

ΣΥΝΤΗΡΗΣΗ

⚠ ΠΡΟΣΟΧΗ:

- Πάντοτε βεβαιώνετε ότι το εργαλείο είναι σβηστό και αποσυνδεδεμένο πριν επιχειρήσετε να εκτελέσετε επιθεώρηση ή συντήρηση.
- Μην χρησιμοποιείτε ποτέ βενζίνη, πετρελαϊκό αιθέρα, διαλυτικό, αλκοόλη ή παρόμοιες ουσίες. Ενδέχεται να προκληθεί αποχρωματισμός παριμόρφωση ή ρωγμές.

Ρύθμιση ύψους υπο-τραπέζιου (Εικ. 21 και 22)

Το ύψος του υπο-τραπέζιου είναι εργοστασιακά ρυθμισμένο. Εάν περαιτέρω ρύθμιση είναι απαραίτητη, προχωρήστε ως ακολούθως.

Βάλτε μία κάρτα στο τραπέζι και επίσης ένα χάρακα επάνω στην κάρτα. Γυρίστε την ρυθμιστική βίδα με το εξαγωγικό κλειδί μέχρι η άκρη του υπο-τραπέζιου να είναι 0,1 χιλ έως 0,3 χιλ υπεράνω της επιφάνειας του τραπέζιου.

Αντικατάσταση ψηκτρών άνθρακα (Εικ. 23 και 24)

Αφαιρείτε και ελέγχετε τακτικά τις ψήκτρες άνθρακα. Αντικαθιστάτε τις ψήκτρες όταν φθαρούν μέχρι το σημάδι ορίου. Διατηρείτε τις ψήκτρες άνθρακα καθαρές και ελεύθερες να γλιστρούν μέσα στις θήκες. Και οι δύο ψήκτρες άνθρακα πρέπει να αντικαθίστανται ταυτόχρονα. Χρησιμοποιείτε μόνο ταυτόσημες ψήκτρες άνθρακα. Χρησιμοποιείστε ένα κατσαβίδι για να αφαιρέσετε τα καπάκια των ψηκτρών άνθρακα. Αφαιρέστε τις φθαρμένες ψήκτρες άνθρακα, βάλτε τις νέες και ασφαλίστε τα καπάκια των ψηκτρών άνθρακα.

Διατήρηση ακονισμένων λαμών

Μη ακονισμένες λάμες θα προκαλέσουν τραχύ φινιρίσμα, υπερφόρτωση του κινητήρα και επικίνδυνα κλωσήματα του εργαλείου εκτός του τεμαχίου εργασίας. Αντικαταστήστε αμέσως τις φθαρμένες λάμες.

Λίπανση (Εικ. 25)

Λαδώστε την αλυσίδα (αφού αφαιρέσετε το πλευρικό κάλυμμα P), τις τέσσερις στήλες και τις βίδες ανύψωσης του κυρίου πλαισίου. Αυτή η περιοδική λίπανση πρέπει να εκτελείται με μηχανέλαιο.

⚠ ΠΡΟΣΟΧΗ:

- Το λάδωμα και όλη η συντήρηση πρέπει να γίνεται με το εργαλείο σβηστό και αποσυνδεδεμένο.

Καθάρισμα

Πάντοτε καθαρίζετε τους ρύπους, αποκόμματα και ξένη ύλη που κολλάνε στις κυλιόμενες επιφάνειες, στους αεραγωγούς κινητήρα και στα τύμπανα.

Οριο για επανακόνισμα κακονικής λάμας (Εικ. 26)

Μη χρησιμοποιείτε την κανονική λάμα της οποίας το μήκος λάμας είναι κάτω από 4 χιλ.

Για την διατήρηση της ΑΣΦΑΛΕΙΑΣ και ΑΞΙΟΠΙΣΤΙΑΣ του προϊόντος, επισκευές, οποιαδήποτε άλλη συντήρηση ή ρύθμιση πρέπει να εκτελούνται από τα Εξουσιοδοτημένα Κέντρα Εξυπηρέτησης της Μάκιτα, με χρήση πάντοτε ανταλλακτικών Μάκιτα.

ΑΝΤΑΛΛΑΚΤΙΚΑ**⚠ ΠΡΟΣΟΧΗ:**

- Αυτά τα ανταλλακτικά ή προσαρτήματα συνιστώνται για χρήση με το εργαλείο σας της Μάκιτα που περιγράφεται στο εγχειρίδιο αυτό. Η χρήση οτιδήποτε άλλων ανταλλακτικών ή προσαρτημάτων μπορεί να παρουσιάσουν κίνδυνο τραυματισμού σε άτομα. Χρησιμοποιείτε μόνο εξαρτήματα ή προσαρτήματα μόνο για το σκοπό που προορίζονται.

Εάν χρειάζεστε βοήθεια ή περισσότερες λεπτομέρειες σε σχέση με αυτά τα ανταλλακτικά, ρωτήστε το τοπικό σας κέντρο εξυπηρέτησης της Μάκιτα.

- Μαγνητική θήκη
- Αναλώσιμη λάμα
- Κανονική λάμα
- Μετρητής λάμας
- Κοίλο κλειδί 9
- Εξαγωνικό κλειδί 2,5
- Σύνολο καλύπτρας
- Βάση

Θόρυβος

Το τυπικό Α επίπεδο μετρημένου θορύβου καθορίζεται σύμφωνα με το EN61029:

Πίεση ήχου (L_{pA}): 86 dB (A)

Επίπεδο δύναμης ήχου (L_{WA}): 99 dB (A)

Αβεβαιότητα (K): 3 dB (A)

Φοράτε ωτοασπίδες

ENH037-1

Μόνο για χώρες της Ευρώπης**Δήλωση Συμμόρφωσης ΕΚ**

Η Makita Corporation, ως ο υπεύθυνος κατασκευαστής, δηλώνει ότι το/τα ακόλουθο(α) μηχανήμα(τα) της Makita:

Χαρακτηρισμός μηχανήματος:

Μηχάνημα πλάνισματος

Αρ. μοντέλου/ Τύπος: 2012NB

είναι εν σειρά παραγωγή και **συμμορφώνονται με τις ακόλουθες Ευρωπαϊκές Οδηγίες:**

2006/42/EK

και κατασκευάζονται σύμφωνα με τα ακόλουθα πρότυπα ή έγγραφα τυποποίησης:

EN12100-1, IEC61029, EN860

Πιστοποιητικό εξέτασης τύπου ΕΚ αρ. 10-SKM-CM-0523

Η εξέταση τύπου ΕΚ κατά 2006/42/EK πραγματοποιήθηκε από:

Inspecta Sweden AB

PO Box 30100

SE-104 25 STOCKHOLM, Sweden (Σουηδία)

Αρ. ταυτοποίησης 0409

Η τεχνική τεκμηρίωση φυλάσσεται από τον εξουσιοδοτημένο εκπρόσωπό μας στην Ευρώπη, δηλαδή τη:

Makita International Europe Ltd.

Michigan Drive, Tongwell,

Milton Keynes, MK15 8JD, England (Αγγλία)

3.3.2010



Tomoyasu Kato
Διευθυντής

Makita Corporation
3-11-8, Sumiyoshi-cho,
Anjo, Aichi, JAPAN

Makita Corporation
Anjo, Aichi, Japan