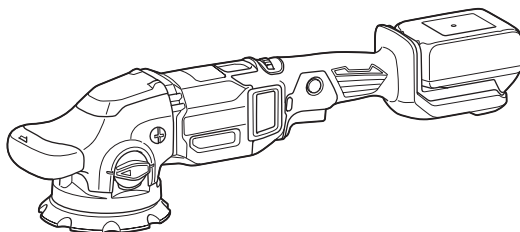
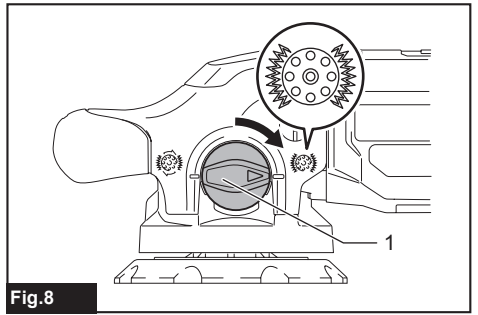
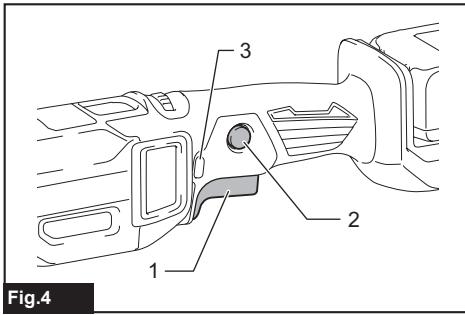
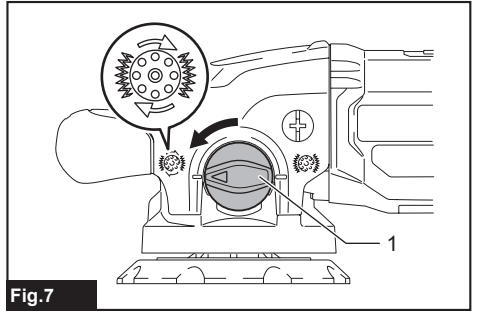
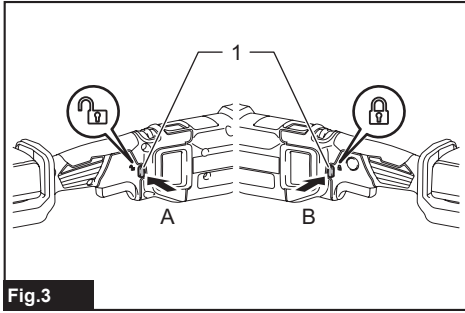
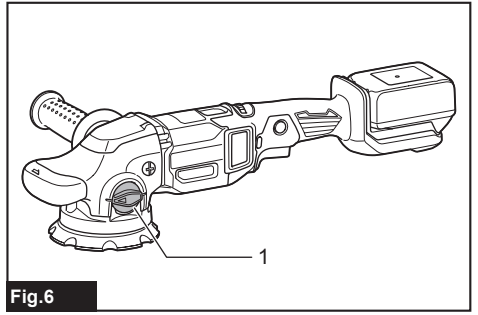
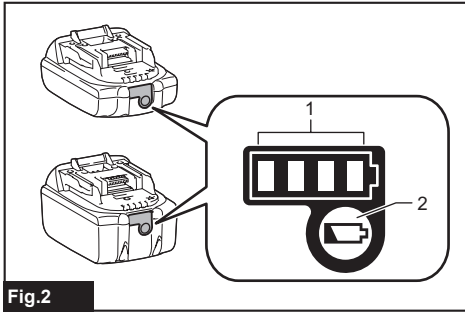
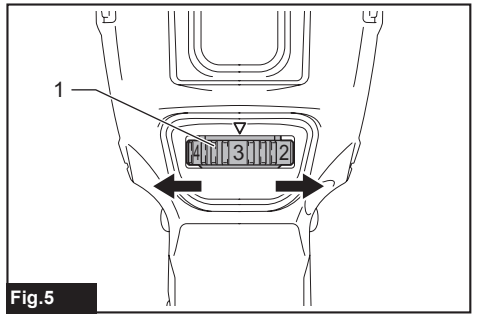
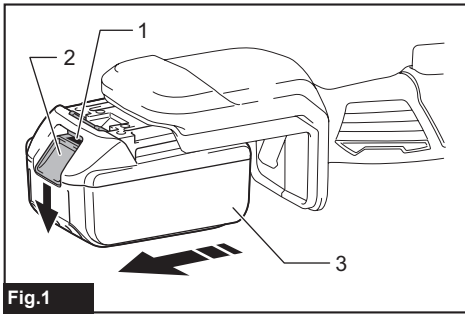




EN	Cordless Random Orbit Polisher	INSTRUCTION MANUAL	5
FR	Polisseuse excentrique sans fil	MANUEL D'INSTRUCTIONS	11
DE	Akku-Exzenter-Rotationspolierer	BETRIEBSANLEITUNG	18
IT	Lucidatrice rotorbitale a batteria	ISTRUZIONI PER L'USO	25
NL	Excenter-accupolijstmachine	GEBRUIKSAANWIJZING	32
ES	Pulidora Inalámbrica de Órbita Excéntrica	MANUAL DE INSTRUCCIONES	39
PT	Politriz Rotorbital a Bateria	MANUAL DE INSTRUÇÕES	46
DA	Akku excenterpolérmaskine	BRUGSANVISNING	52
EL	Φορητός στυλβωτής τυχαίας τροχιάς	ΕΓΧΕΙΡΙΔΙΟ ΟΔΗΓΙΩΝ	58
TR	Akülü Titreşimli Polisaj Makinesi	KULLANMA KILAVUZU	65

## DPO500 DPO600





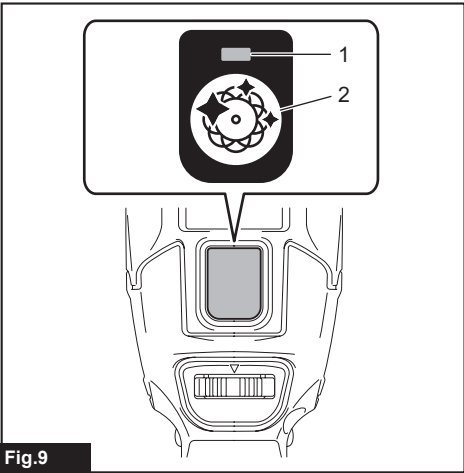


Fig.9

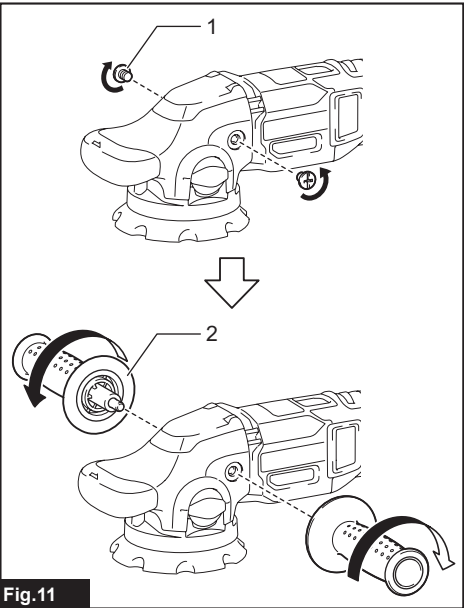


Fig.11

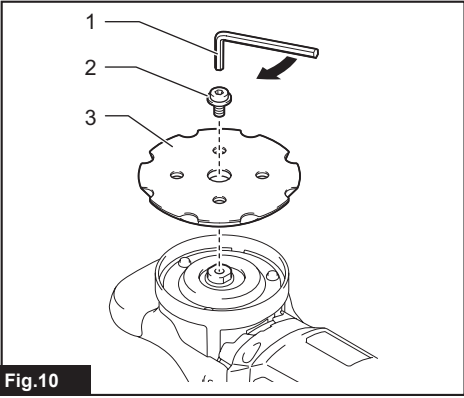


Fig.10

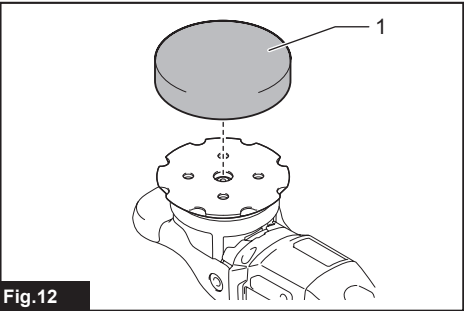


Fig.12

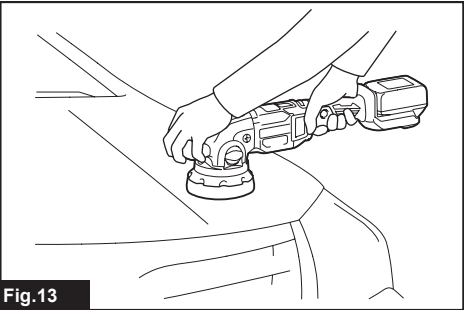
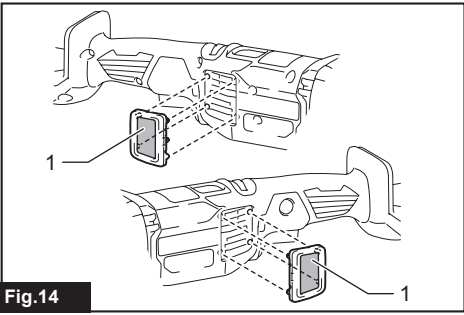


Fig.13



**Fig.14**

## SPECIFICATIONS

Model:		DPO500	DPO600
Backing pad diameter		123 mm	148 mm
Orbits per minute	Normal mode	0 - 6,800 min <sup>-1</sup>	
	Finishing mode	0 - 5,200 min <sup>-1</sup>	
Overall length		530 mm	
Rated voltage		D.C. 18 V	
Net weight		3.1 - 3.6 kg	

- Due to our continuing program of research and development, the specifications herein are subject to change without notice.
- Specifications and battery cartridge may differ from country to country.
- The weight may differ depending on the attachment(s), including the battery cartridge. The lightest and heaviest combinations, according to EPTA-Procedure 01/2014, are shown in the table.

### Applicable battery cartridge and charger

Battery cartridge	BL1815N / BL1820B / BL1830B / BL1840B / BL1850B / BL1860B
Charger	DC18RC / DC18RD / DC18RE / DC18SD / DC18SE / DC18SF / DC18SH / DC18WC

- Some of the battery cartridges and chargers listed above may not be available depending on your region of residence.

**⚠WARNING:** Only use the battery cartridges and chargers listed above. Use of any other battery cartridges and chargers may cause injury and/or fire.

### Intended use

The tool is intended for polishing.

### Noise

The typical A-weighted noise level determined according to EN62841-2-4:

#### Model DPO500

Sound pressure level ( $L_{pA}$ ) : 85 dB (A)

Sound power level ( $L_{WA}$ ) : 93 dB (A)

Uncertainty (K) : 3 dB (A)

#### Model DPO600

Sound pressure level ( $L_{pA}$ ) : 86 dB(A)

Sound power level ( $L_{WA}$ ) : 94 dB (A)

Uncertainty (K) : 3 dB(A)

**NOTE:** The declared noise emission value(s) has been measured in accordance with a standard test method and may be used for comparing one tool with another.

**NOTE:** The declared noise emission value(s) may also be used in a preliminary assessment of exposure.

**⚠WARNING:** Wear ear protection.

**⚠WARNING:** The noise emission during actual use of the power tool can differ from the declared value(s) depending on the ways in which the tool is used especially what kind of workpiece is processed.

**⚠WARNING:** Be sure to identify safety measures to protect the operator that are based on an estimation of exposure in the actual conditions of use (taking account of all parts of the operating cycle such as the times when the tool is switched off and when it is running idle in addition to the trigger time).

### Vibration

The vibration total value (tri-axial vector sum) determined according to EN62841-2-4:

#### Model DPO500

Work mode: polishing

Vibration emission ( $a_{h,p}$ ) : 9.5 m/s<sup>2</sup>

Uncertainty (K) : 1.5 m/s<sup>2</sup>

#### Model DPO600

Work mode: polishing

Vibration emission ( $a_{h,p}$ ) : 10.0 m/s<sup>2</sup>

Uncertainty (K) : 1.5 m/s<sup>2</sup>

**NOTE:** The declared vibration total value(s) has been measured in accordance with a standard test method and may be used for comparing one tool with another.

**NOTE:** The declared vibration total value(s) may also be used in a preliminary assessment of exposure.

**⚠WARNING:** The vibration emission during actual use of the power tool can differ from the declared value(s) depending on the ways in which the tool is used especially what kind of workpiece is processed.

**⚠WARNING:** Be sure to identify safety measures to protect the operator that are based on an estimation of exposure in the actual conditions of use (taking account of all parts of the operating cycle such as the times when the tool is switched off and when it is running idle in addition to the trigger time).

## Declarations of Conformity

### For European countries only

The Declarations of conformity are included in Annex A to this instruction manual.

# SAFETY WARNINGS

## General power tool safety warnings

**⚠WARNING** Read all safety warnings, instructions, illustrations and specifications provided with this power tool. Failure to follow all instructions listed below may result in electric shock, fire and/or serious injury.

## Save all warnings and instructions for future reference.

The term "power tool" in the warnings refers to your mains-operated (corded) power tool or battery-operated (cordless) power tool.

## Cordless random orbit polisher safety warnings

1. Do not leave the tool running. Operate the tool only when hand-held.
2. Check that the workpiece is properly supported.
3. Do not use the tool on any materials containing asbestos.
4. Do not touch the bolt on the backing pad immediately after operation. It may be extremely hot and could burn your skin.
5. Make sure that there is no crack or breakage on the pad before use. If you drop the tool, check that there is no breakage and run the tool for approximately 1 minute at the maximum speed at no load to check that there is no abnormality with the tool. Cracks or breakage may cause a personal injury.

## SAVE THESE INSTRUCTIONS.

**⚠WARNING:** DO NOT let comfort or familiarity with product (gained from repeated use) replace strict adherence to safety rules for the subject product. MISUSE or failure to follow the safety rules stated in this instruction manual may cause serious personal injury.

## Important safety instructions for battery cartridge

1. Before using battery cartridge, read all instructions and cautionary markings on (1) battery charger, (2) battery, and (3) product using battery.
2. Do not disassemble or tamper with the battery cartridge. It may result in a fire, excessive heat, or explosion.
3. If operating time has become excessively shorter, stop operating immediately. It may result in a risk of overheating, possible burns and even an explosion.
4. If electrolyte gets into your eyes, rinse them out with clear water and seek medical attention right away. It may result in loss of your eyesight.
5. Do not short the battery cartridge:
  - (1) Do not touch the terminals with any conductive material.
  - (2) Avoid storing battery cartridge in a container with other metal objects such as nails, coins, etc.
  - (3) Do not expose battery cartridge to water or rain.A battery short can cause a large current flow, overheating, possible burns and even a breakdown.
6. Do not store and use the tool and battery cartridge in locations where the temperature may reach or exceed 50 °C (122 °F).
7. Do not incinerate the battery cartridge even if it is severely damaged or is completely worn out. The battery cartridge can explode in a fire.
8. Do not nail, cut, crush, throw, drop the battery cartridge, or hit against a hard object to the battery cartridge. Such conduct may result in a fire, excessive heat, or explosion.
9. Do not use a damaged battery.
10. The contained lithium-ion batteries are subject to the Dangerous Goods Legislation requirements.

For commercial transports e.g. by third parties, forwarding agents, special requirement on packaging and labeling must be observed.

For preparation of the item being shipped, consulting an expert for hazardous material is required. Please also observe possibly more detailed national regulations.

Tape or mask off open contacts and pack up the battery in such a manner that it cannot move around in the packaging.
11. When disposing the battery cartridge, remove it from the tool and dispose of it in a safe place. Follow your local regulations relating to disposal of battery.
12. Use the batteries only with the products specified by Makita. Installing the batteries to non-compliant products may result in a fire, excessive heat, explosion, or leak of electrolyte.

13. If the tool is not used for a long period of time, the battery must be removed from the tool.
14. During and after use, the battery cartridge may take on heat which can cause burns or low temperature burns. Pay attention to the handling of hot battery cartridges.
15. Do not touch the terminal of the tool immediately after use as it may get hot enough to cause burns.
16. Do not allow chips, dust, or soil stuck into the terminals, holes, and grooves of the battery cartridge. It may cause heating, catching fire, burst and malfunction of the tool or battery cartridge, resulting in burns or personal injury.
17. Unless the tool supports the use near high-voltage electrical power lines, do not use the battery cartridge near high-voltage electrical power lines. It may result in a malfunction or breakdown of the tool or battery cartridge.
18. Keep the battery away from children.

## SAVE THESE INSTRUCTIONS.

**CAUTION:** Only use genuine Makita batteries. Use of non-genuine Makita batteries, or batteries that have been altered, may result in the battery bursting causing fires, personal injury and damage. It will also void the Makita warranty for the Makita tool and charger.

## Tips for maintaining maximum battery life

1. Charge the battery cartridge before completely discharged. Always stop tool operation and charge the battery cartridge when you notice less tool power.
2. Never recharge a fully charged battery cartridge. Overcharging shortens the battery service life.
3. Charge the battery cartridge with room temperature at 10 °C - 40 °C (50 °F - 104 °F). Let a hot battery cartridge cool down before charging it.
4. When not using the battery cartridge, remove it from the tool or the charger.
5. Charge the battery cartridge if you do not use it for a long period (more than six months).

## FUNCTIONAL DESCRIPTION

**CAUTION:** Always be sure that the tool is switched off and the battery cartridge is removed before adjusting or checking function on the tool.

### Installing or removing battery cartridge

**CAUTION:** Always switch off the tool before installing or removing of the battery cartridge.

**CAUTION:** Hold the tool and the battery cartridge firmly when installing or removing battery cartridge. Failure to hold the tool and the battery cartridge firmly may cause them to slip off your hands and result in damage to the tool and battery cartridge and a personal injury.

► Fig.1: 1. Red indicator 2. Button 3. Battery cartridge

To remove the battery cartridge, slide it from the tool while sliding the button on the front of the cartridge.

To install the battery cartridge, align the tongue on the battery cartridge with the groove in the housing and slip it into place. Insert it all the way until it locks in place with a little click. If you can see the red indicator as shown in the figure, it is not locked completely.

**CAUTION:** Always install the battery cartridge fully until the red indicator cannot be seen. If not, it may accidentally fall out of the tool, causing injury to you or someone around you.














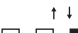




**CAUTION:** Do not install the battery cartridge forcibly. If the cartridge does not slide in easily, it is not being inserted correctly.

### Indicating the remaining battery capacity

*Only for battery cartridges with the indicator*

► Fig.2: 1. Indicator lamps 2. Check button

Press the check button on the battery cartridge to indicate the remaining battery capacity. The indicator lamps light up for a few seconds.

Indicator lamps			Remaining capacity
 Lighted	 Off	 Blinking	
			75% to 100%
			50% to 75%
			25% to 50%
			0% to 25%
			Charge the battery.
 	 	 	The battery may have malfunctioned.

**NOTE:** Depending on the conditions of use and the ambient temperature, the indication may differ slightly from the actual capacity.

**NOTE:** The first (far left) indicator lamp will blink when the battery protection system works.

## Tool / battery protection system

The tool is equipped with a tool/battery protection system. This system automatically cuts off power to the motor to extend tool and battery life. The tool will automatically stop during operation if the tool or battery is placed under one of the following conditions:

### Overload protection

When the tool or battery is operated in a manner that causes it to draw an abnormally high current, the tool automatically stops without any indication. In this situation, turn the tool off and stop the application that caused the tool to become overloaded. Then turn the tool on to restart.

### Overheat protection

When the tool or battery is overheated, the tool stops automatically. In this case, let the tool and battery cool before turning the tool on again.

### Overdischarge protection


When the battery capacity is not enough, the tool stops automatically. In this case, remove the battery from the tool and charge the battery.

## Switch action

**CAUTION:** Before installing the battery cartridge into the tool, always check to see that the switch trigger actuates properly and returns to the "OFF" position when released.



**CAUTION:** Switch can be locked in "ON" position for ease of operator comfort during extended use. Apply caution when locking tool in "ON" position and maintain firm grasp on tool.

**CAUTION:** Do not install the battery cartridge with the lock button engaged.

**CAUTION:** When not operating the tool, depress the trigger-lock button from  side to lock the switch trigger in the OFF position.

► **Fig.3:** 1. Trigger-lock button

► **Fig.4:** 1. Switch trigger 2. Lock button 3. Trigger-lock button

To prevent the switch trigger from accidentally pulled, the trigger-lock button is provided. To start the tool, depress the trigger-lock button from A () side and pull the switch trigger. Tool speed is increased by increasing pressure on the switch trigger. Release the switch trigger to stop. After use, depress the trigger-lock button from B () side.

For continuous operation, depress the lock button while pulling the switch trigger, and then release the switch trigger. To stop the tool, pull the switch trigger fully, then release it.

## Speed adjusting dial

► **Fig.5:** 1. Speed adjusting dial

The rotating speed can be changed by turning the speed adjusting dial to a given number setting from 1 to 5. Higher speed is obtained when the dial is turned in the direction of number 5. And lower speed is obtained when it is turned in the direction of number 1.

Refer to the table for the relationship between the number settings on the dial and the approximate rotating speed.

### Normal mode

Number	Orbits per min.	Pad rotating speed per minute in random orbit with forced rotation mode
1	1,600	180
2	2,500	290
3	4,000	460
4	5,600	650
5	6,800	780

### Finishing mode

Number	Orbits per min.	Pad rotating speed per minute in random orbit with forced rotation mode
1	1,600	180
2	2,200	250
3	3,300	380
4	4,400	500
5	5,200	600

**NOTICE:** If the tool is operated continuously at low speeds for a long time, the motor will get overloaded, resulting in tool malfunction.

**NOTICE:** The speed adjusting dial can be turned only as far as 5 and back to 1. Do not force it past 5 or 1, or the speed adjusting function may no longer work.

## Selecting the action mode

Turn the change knob to alter the rotation mode.

► **Fig.6:** 1. Change knob

**NOTICE:** Always turn the knob fully. If the knob is in the middle position, you cannot turn on the tool.

**NOTICE:** You cannot change the action mode when the tool is switched on.

## Random orbit with forced rotation mode

► **Fig.7:** 1. Change knob

Random orbit with forced rotation mode is orbital action with forced rotation of the pad for rough polishing such as surface treatment.

Rotate the change knob counterclockwise for random orbit with forced rotation mode.



## Random orbit mode

► **Fig.8:** 1. Change knob

Random orbit mode is orbital action with free rotation of the pad for fine polishing.

Rotate the change knob clockwise for random orbit mode.

## Finishing mode

In the finishing mode, you can operate the tool without applying excessive load. This mode is suitable for finishing operation.

To use the tool in the finishing mode, pull the switch trigger and release it to turn on the tool, and then press the mode switching button. The lamp lights up in green. To return to the normal mode, press the mode switching button while the tool is turned on.

► **Fig.9:** 1. Lamp 2. Mode switching button

**NOTE:** You cannot change the mode when the tool is running.

## Accidental restart preventive function

If you install the battery cartridge while pulling the switch trigger or locking the switch trigger, the tool does not start. To start the tool, release the switch trigger, and then pull the switch trigger.

## Electronic function

The tools equipped with electronic function are easy to operate because of the following features.

## Constant speed control

Possible to get fine finish, because the rotating speed is kept constant even under the loaded condition.

## Soft start feature

Soft start because of suppressed starting shock.

# ASSEMBLY

**CAUTION:** Always be sure that the tool is switched off and the battery cartridge is removed before carrying out any work on the tool.

## Installing the backing pad

► **Fig.10:** 1. Hex wrench 2. Bolt 3. Backing pad

Put the backing pad on the shaft then turn the bolt clockwise with a hex wrench.

**CAUTION:** Make sure that the backing pad is secured properly. Loose attachment will run out of balance and cause an excessive vibration which may cause loss of control.

## Installing side grip

### Optional accessory

**CAUTION:** Tighten the caps or side grip firmly. Otherwise, the front cover may fall and cause an injury.

► **Fig.11:** 1. Cap 2. Side grip

Remove the cap and screw the side grip on the tool securely. The side grip can be installed on either side of the tool.

## Installing or removing pad

### Optional accessory

**CAUTION:** Only use hook-and-loop system pads for polishing.

► **Fig.12:** 1. Pad

To install the pad, first remove all dirt and foreign matter from the hook-and-loop system of the pad and the backing pad. Attach the pad to the backing pad so that their edges are aligned.

To remove the pad from the backing pad, just pull up from its edge.

**CAUTION:** Make sure that the pad and backing pad are aligned and securely attached. Otherwise the pad will cause an excessive vibration which may cause loss of control or the pad may be thrown out from the tool.

# OPERATION

**CAUTION:** Only use Makita genuine pads for polishing (optional accessories).

**CAUTION:** Make sure the work material is secured and stable. Falling object may cause personal injury.

**CAUTION:** Hold the tool firmly with one hand on the switch handle and the other hand on the front grip (or side handle) when performing the tool.

**CAUTION:** Do not run the tool at high load over an extended time period. It may result in tool malfunction which causes electric shock, fire and/or serious injury.

**CAUTION:** Be careful not to touch the rotating part.

**CAUTION:** Before operating the tool, make sure that the side grip or caps are not loose. If the side grip or caps are loose, the front cover may fall and cause an injury.

**NOTICE:** Never force the tool. Excessive pressure may lead to decreased polishing efficiency, damaged pad, or shorten tool life.

**NOTICE:** Continuous operation at high speed may damage work surface.

## Polishing operation

### ► Fig.13

1. Surface treatment (Random orbit with forced rotation mode)

Use a wool pad for rough finishing then use a sponge pad for fine finishing.

2. Applying wax (Random orbit mode)

Use a sponge pad. Apply wax to the sponge pad or work surface. Run the tool at low speed to smooth out wax.

**CAUTION:** Do not apply excessive wax or polishing agent. It will generate more dust and may cause eye or respiratory diseases.

**NOTE:** First, perform a test waxing on an inconspicuous portion of the work surface. Make sure that the tool will not scratch the surface or result in uneven waxing before.

3. Removing wax (Random orbit mode)

Use another sponge pad. Run the tool to remove wax.

4. Polishing (Random orbit mode)

Apply a felt pad gently to the work surface.

## MAINTENANCE

**CAUTION:** Always be sure that the tool is switched off and the battery cartridge is removed before attempting to perform inspection or maintenance.

**NOTICE:** Never use gasoline, benzene, thinner, alcohol or the like. Discoloration, deformation or cracks may result.

To maintain product SAFETY and RELIABILITY, repairs, any other maintenance or adjustment should be performed by Makita Authorized or Factory Service Centers, always using Makita replacement parts.

## Cleaning dust covers

### ► Fig.14: 1. Dust cover

Regularly clean the dust covers on the inhalation vents for smooth air circulation. Remove the dust covers and clean the mesh.

## OPTIONAL ACCESSORIES

**CAUTION:** These accessories or attachments are recommended for use with your Makita tool specified in this manual. The use of any other accessories or attachments might present a risk of injury to persons. Only use accessory or attachment for its stated purpose.

If you need any assistance for more details regarding these accessories, ask your local Makita Service Center.

- Side grip
- Backing pad
- Wool pad
- Sponge pad
- Felt pad
- Makita genuine battery and charger

**NOTE:** Some items in the list may be included in the tool package as standard accessories. They may differ from country to country.

## SPÉCIFICATIONS

Modèle :		DPO500	DPO600
Diamètre du plateau de support		123 mm	148 mm
Nombre d'oscillations par minute	Mode normal	0 à 6 800 min <sup>-1</sup>	
	Mode de finition	0 à 5 200 min <sup>-1</sup>	
Longueur totale		530 mm	
Tension nominale		18 VCC	
Poids net		3,1 - 3,6 kg	

- Étant donné l'évolution constante de notre programme de recherche et de développement, les spécifications contenues dans ce manuel sont sujettes à modification sans préavis.
- Les spécifications et la batterie peuvent être différentes suivant les pays.
- Le poids peut être différent selon les accessoires, notamment la batterie. Les associations la plus légère et la plus lourde, conformément à la procédure EPTA 01/2014, sont indiquées dans le tableau.

### Batterie et chargeur applicables

Batterie	BL1815N / BL1820B / BL1830B / BL1840B / BL1850B / BL1860B
Chargeur	DC18RC / DC18RD / DC18RE / DC18SD / DC18SE / DC18SF / DC18SH / DC18WC

- Certains chargeurs et batteries répertoriés ci-dessus peuvent ne pas être disponibles selon la région où vous résidez.

**⚠ AVERTISSEMENT : N'utilisez que les batteries et les chargeurs répertoriés ci-dessus.** L'utilisation d'autres batteries et chargeurs peut provoquer des blessures et/ou un incendie.

### Utilisations

L'outil est conçu pour polir.

### Bruit

Niveau de bruit pondéré A typique, déterminé selon EN62841-2-4 :

#### Modèle DPO500

Niveau de pression sonore ( $L_{pA}$ ) : 85 dB (A)  
 Niveau de puissance sonore ( $L_{WA}$ ) : 93 dB (A)  
 Incertitude (K) : 3 dB (A)

#### Modèle DPO600

Niveau de pression sonore ( $L_{pA}$ ) : 86 dB (A)  
 Niveau de puissance sonore ( $L_{WA}$ ) : 94 dB (A)  
 Incertitude (K) : 3 dB (A)

**NOTE :** La ou les valeurs d'émission de bruit déclarées ont été mesurées conformément à la méthode de test standard et peuvent être utilisées pour comparer les outils entre eux.

**NOTE :** La ou les valeurs d'émission de bruit déclarées peuvent aussi être utilisées pour l'évaluation préliminaire de l'exposition.

**⚠ AVERTISSEMENT :** Portez un serre-tête antibruit.

**⚠ AVERTISSEMENT :** L'émission de bruit lors de l'usage réel de l'outil électrique peut être différente de la ou des valeurs déclarées, suivant la façon dont l'outil est utilisé, particulièrement selon le type de pièce usinée.

**⚠ AVERTISSEMENT :** Les mesures de sécurité à prendre pour protéger l'utilisateur doivent être basées sur une estimation de l'exposition dans des conditions réelles d'utilisation (en tenant compte de toutes les composantes du cycle d'utilisation, comme par exemple le moment de sa mise hors tension, lorsqu'il tourne à vide et le moment de son déclenchement).

### Vibrations

Valeur totale de vibrations (somme de vecteur triaxial) déterminée selon EN62841-2-4 :

#### Modèle DPO500

Mode de travail : polissage  
 Émission de vibrations ( $a_{h,p}$ ) : 9,5 m/s<sup>2</sup>  
 Incertitude (K) : 1,5 m/s<sup>2</sup>

#### Modèle DPO600

Mode de travail : polissage  
 Émission de vibrations ( $a_{h,p}$ ) : 10,0 m/s<sup>2</sup>  
 Incertitude (K) : 1,5 m/s<sup>2</sup>

**NOTE** : La ou les valeurs de vibration totales déclarées ont été mesurées conformément à la méthode de test standard et peuvent être utilisées pour comparer les outils entre eux.

**NOTE** : La ou les valeurs de vibration totales déclarées peuvent aussi être utilisées pour l'évaluation préliminaire de l'exposition.

**⚠AVERTISSEMENT** : L'émission de vibrations lors de l'usage réel de l'outil électrique peut être différente de la ou des valeurs déclarées, suivant la façon dont l'outil est utilisé, particulièrement selon le type de pièce usinée.

**⚠AVERTISSEMENT** : Les mesures de sécurité à prendre pour protéger l'utilisateur doivent être basées sur une estimation de l'exposition dans des conditions réelles d'utilisation (en tenant compte de toutes les composantes du cycle d'utilisation, comme par exemple le moment de sa mise hors tension, lorsqu'il tourne à vide et le moment de son déclenchement).

## Déclarations de conformité

*Pour les pays européens uniquement*

Les déclarations de conformité sont fournies en Annexe A à ce mode d'emploi.

## CONSIGNES DE SÉCURITÉ

### Consignes de sécurité générales pour outils électriques

**⚠AVERTISSEMENT** Veuillez lire toutes les consignes de sécurité, instructions, illustrations et spécifications qui accompagnent cet outil électrique. Le non-respect de toutes les instructions indiquées ci-dessous peut entraîner une électrocution, un incendie et/ou de graves blessures.

### Conservez toutes les mises en garde et instructions pour référence ultérieure.

Le terme « outil électrique » dans les avertissements fait référence à l'outil électrique alimenté par le secteur (avec cordon d'alimentation) ou à l'outil électrique fonctionnant sur batterie (sans cordon d'alimentation).

### Consignes de sécurité pour la polisseuse excentrique sans fil

1. Ne vous éloignez pas de l'outil quand il fonctionne. Ne faites fonctionner l'outil que lorsque vous le tenez en main.
2. Assurez-vous que la pièce est correctement soutenue.
3. N'utilisez l'outil sur aucun matériau contenant de l'amiante.

4. Ne touchez pas le boulon sur le plateau de support immédiatement après le fonctionnement. Il peut être extrêmement chaud et brûler votre peau.
5. Avant l'utilisation, assurez-vous que le plateau n'est ni fissuré ni cassé. Si vous faites tomber l'outil, assurez-vous qu'il n'est pas cassé et faites-le tourner pendant 1 minute environ à la vitesse maximum à vide pour vérifier qu'il ne présente pas d'anomalies. Les fissures ou bris présentent un risque de blessure corporelle.

## CONSERVEZ CES INSTRUCTIONS.

**⚠AVERTISSEMENT** : NE vous laissez PAS tromper (au fil d'une utilisation répétée) par un sentiment d'aisance et de familiarité avec le produit, en négligeant le respect rigoureux des consignes de sécurité qui accompagnent le produit en question. La MAUVAISE UTILISATION de l'outil ou l'ignorance des consignes de sécurité indiquées dans ce mode d'emploi peut entraîner de graves blessures.

### Consignes de sécurité importantes pour la batterie

1. Avant d'utiliser la batterie, lisez toutes les instructions et précautions relatives (1) au chargeur de batterie, (2) à la batterie, et (3) au produit utilisant la batterie.
2. Ne désassemblez pas et ne modifiez pas la batterie. Cela pourrait entraîner un incendie, une chaleur excessive ou une explosion.
3. Cessez immédiatement l'utilisation si le temps de fonctionnement devient excessivement court. Il y a un risque de surchauffe, de brûlures, voire d'explosion.
4. Si l'électrolyte pénètre dans vos yeux, rincez-les à l'eau claire et consultez immédiatement un médecin. Il y a un risque de perte de la vue.
5. Ne court-circuitez pas la batterie :
  - (1) Ne touchez les bornes avec aucun matériau conducteur.
  - (2) Évitez de ranger la batterie dans un conteneur avec d'autres objets métalliques, par exemple des clous, des pièces de monnaie, etc.
  - (3) N'exposez pas la batterie à l'eau ou à la pluie.Un court-circuit de la batterie peut provoquer une intensité de courant élevée, une surchauffe, parfois des brûlures et même une panne.
6. Ne rangez ni n'utilisez l'outil et la batterie dans un endroit où la température risque d'atteindre ou de dépasser 50 °C.
7. Ne jetez pas la batterie au feu même si elle est sérieusement endommagée ou complètement épuisée. La batterie peut exploser au contact du feu.

8. **Abstenez-vous de clouer, couper, écraser, jeter, laisser tomber la batterie, ou de la heurter contre un objet dur.** Cela pourrait entraîner un incendie, une chaleur excessive ou une explosion.
9. **N'utilisez pas la batterie si elle est endommagée.**
10. **Les batteries au lithium-ion contenues sont soumises aux exigences de la législation sur les marchandises dangereuses.**  
Lors du transport commercial par des tierces parties ou des transitaires par exemple, des exigences spécifiques en matière d'étiquetage et d'emballage doivent être respectées.  
Pour la préparation de l'article expédié, il est nécessaire de consulter un expert en matériau dangereux. Veuillez également respecter les réglementations nationales susceptibles d'être plus détaillées. Recouvrez les contacts exposés avec du ruban adhésif ou du ruban de masquage et emballez la batterie de telle sorte qu'elle ne puisse pas bouger dans l'emballage.
11. **Lors de la mise au rebut de la batterie, retirez-la de l'outil et jetez-la en lieu sûr.** Suivez les réglementations locales en matière de mise au rebut des batteries.
12. **Utilisez les batteries uniquement avec les produits spécifiés par Makita.** L'insertion de batteries dans des produits non conformes peut provoquer un incendie, une chaleur excessive, une explosion ou une fuite de l'électrolyte.
13. **Lorsque vous n'utilisez pas l'outil pendant une période prolongée, la batterie doit être retirée de l'outil.**
14. **Pendant et après l'utilisation, la batterie peut chauffer, ce qui peut entraîner des brûlures, y compris en cas de température relativement basse.** Manipulez les batteries chaudes avec précaution.
15. **Ne touchez pas la borne de l'outil immédiatement après utilisation car elle peut être assez chaude pour provoquer des brûlures.**
16. **Évitez que des copeaux, de la poussière ou du sol adhérent aux bornes, aux trous et aux rainures de la batterie.** Cela peut provoquer un échauffement, un incendie, une explosion ou un dysfonctionnement de l'outil ou de la batterie, ce qui peut entraîner des brûlures ou des blessures.
17. **À moins que l'outil prenne en charge un tel usage, n'utilisez pas la batterie à proximité de lignes électriques haute tension.** Cela pourrait entraîner un dysfonctionnement ou casser l'outil ou la batterie.
18. **Conservez la batterie hors de portée des enfants.**

## CONSERVEZ CES INSTRUCTIONS.

**ATTENTION** : N'utilisez que des batteries Makita d'origine. L'utilisation de batteries de marque autre que Makita ou de batteries modifiées peut provoquer l'explosion des batteries, ce qui présente un risque d'incendie, de dommages matériels et corporels. Cela annulera également la garantie Makita pour l'outil et le chargeur Makita.

## Conseils pour assurer la durée de vie optimale de la batterie

1. **Chargez la batterie avant qu'elle ne soit complètement déchargée. Arrêtez toujours l'outil et rechargez la batterie quand vous remarquez que la puissance de l'outil diminue.**
2. **Ne rechargez jamais une batterie complètement chargée. La surcharge réduit la durée de service de la batterie.**
3. **Chargez la batterie à une température ambiante comprise entre 10 °C et 40 °C. Avant de charger une batterie chaude, laissez-la refroidir.**
4. **Lorsque vous n'utilisez pas la batterie, retirez-la de l'outil ou du chargeur.**
5. **Rechargez la batterie si elle est restée inutilisée pendant une période prolongée (plus de six mois).**

## DESCRIPTION DU FONCTIONNEMENT

**ATTENTION** : Assurez-vous toujours que l'outil est hors tension et que sa batterie est retirée avant de l'ajuster ou de vérifier son fonctionnement.

### Insertion ou retrait de la batterie

**ATTENTION** : Éteignez toujours l'outil avant de mettre en place ou de retirer la batterie.

**ATTENTION** : Tenez fermement l'outil et la batterie lors de la mise en place ou du retrait de la batterie. Si vous ne tenez pas fermement l'outil et la batterie, ils peuvent vous glisser des mains, et s'abîmer ou vous blesser.

► Fig.1: 1. Indicateur rouge 2. Bouton 3. Batterie

Pour retirer la batterie, faites-la glisser hors de l'outil tout en faisant glisser le bouton à l'avant de la batterie.

Pour mettre la batterie en place, alignez la languette de la batterie avec la rainure du compartiment puis insérez la batterie. Insérez-la entièrement jusqu'à entendre un léger déclic indiquant qu'elle est bien en place. Si vous pouvez voir l'indicateur rouge comme illustré sur la figure, c'est qu'elle n'est pas bien verrouillée.

**ATTENTION** : Insérez toujours complètement la batterie jusqu'à ce que l'indicateur rouge ne soit plus visible. Sinon, elle pourrait tomber accidentellement de l'outil, au risque de vous blesser ou de blesser quelqu'un se trouvant près de vous.

**ATTENTION** : N'insérez pas la batterie de force. Si elle ne glisse pas facilement, c'est que vous ne l'insérez pas correctement.

## Indication de la charge restante de la batterie

Uniquement pour les batteries avec voyant lumineux

► Fig.2: 1. Témoins 2. Bouton de vérification

Appuyez sur le bouton de vérification sur la batterie pour indiquer la charge restante de la batterie. Les témoins s'allument pendant quelques secondes.

Témoins			Charge restante
Allumé	Éteint	Clignotant	
■	□	◐	75 % à 100 %
■	■	□	50 % à 75 %
■	■	□	25 % à 50 %
■	□	□	0 % à 25 %
◐	□	□	Chargez la batterie.
■	■	□	Anomalie possible de la batterie.
□	□	■	

**NOTE :** Selon les conditions d'utilisation et la température ambiante, l'indication peut être légèrement différente de la capacité réelle.

**NOTE :** Le premier témoin (complètement à gauche) clignotera pendant le fonctionnement du système de protection de la batterie.

## Système de protection de l'outil/la batterie

L'outil est équipé d'un système de protection de l'outil/la batterie. Ce système coupe automatiquement l'alimentation vers le moteur pour prolonger la durée de vie de l'outil et de la batterie. Si l'outil ou la batterie se trouve dans l'une des situations suivantes, l'outil cessera automatiquement de fonctionner.

### Protection contre la surcharge

Lorsque l'outil ou la batterie est utilisé d'une manière provoquant un appel de courant anormalement élevé, l'outil s'arrête automatiquement sans indication. Dans ce cas, éteignez l'outil et arrêtez la tâche ayant provoqué la surcharge de l'outil. Puis rallumez l'outil pour reprendre la tâche.

### Protection contre la surchauffe

En cas de surchauffe de l'outil ou de la batterie, l'outil s'arrête automatiquement. Dans ce cas, laissez l'outil et la batterie refroidir avant de rallumer l'outil.

### Protection contre la décharge totale de la batterie

Lorsque la charge de la batterie est insuffisante, l'outil s'arrête automatiquement. Dans ce cas, retirez la batterie de l'outil et chargez-la.

## Fonctionnement de la gâchette

**ATTENTION :** Avant d'insérer la batterie dans l'outil, vérifiez toujours que la gâchette fonctionne bien et revient en position d'arrêt lorsque vous la relâchez.

**ATTENTION :** Vous pouvez verrouiller l'interrupteur sur la position « Marche » pour plus de confort en cas d'utilisation prolongée. Soyez prudent lorsque vous verrouillez l'outil sur la position « Marche », et gardez une prise ferme sur l'outil.

**ATTENTION :** N'installez pas la batterie alors que le bouton de verrouillage est enclenché.

**ATTENTION :** Lorsque vous n'utilisez pas l'outil, appuyez sur le côté A (A) du bouton de verrouillage de la gâchette pour verrouiller la gâchette en position d'arrêt.

► Fig.3: 1. Bouton de verrouillage de la gâchette

► Fig.4: 1. Gâchette 2. Bouton de verrouillage 3. Bouton de verrouillage de la gâchette

Pour éviter tout déclenchement accidentel de la gâchette, l'outil est muni d'un bouton de verrouillage de la gâchette. Pour démarrer l'outil, appuyez sur le côté A (A) du bouton de verrouillage de la gâchette et enclenchez la gâchette. La vitesse de l'outil augmente à mesure que vous augmentez la pression sur la gâchette. Pour l'arrêter, relâchez la gâchette. Après utilisation, appuyez sur le côté B (B) du bouton de verrouillage de la gâchette.

Pour un fonctionnement en continu, enfoncez le bouton de verrouillage tout en enclenchant la gâchette, puis relâchez-la. Pour arrêter l'outil, enclenchez complètement la gâchette, puis relâchez-la.

## Cadran de réglage de la vitesse

► Fig.5: 1. Cadran de réglage de la vitesse

La vitesse de rotation peut être modifiée en tournant le cadran de réglage de la vitesse sur un numéro de réglage donné, de 1 à 5. Une vitesse plus élevée est obtenue lorsque le cadran est tourné en direction du numéro 5. Tandis qu'une vitesse moins élevée est obtenue lorsque le cadran est tourné en direction du numéro 1.

Reportez-vous au tableau pour le rapport entre les réglages numérotés sur le cadran et la vitesse approximative de rotation.

### Mode normal

Numéro	Nombre d'oscillations par minute	Vitesse de rotation du plateau par minute en mode excentrique à rotation forcée
1	1 600	180
2	2 500	290
3	4 000	460
4	5 600	650
5	6 800	780

## Mode de finition

Numéro	Nombre d'oscillations par minute	Vitesse de rotation du plateau par minute en mode excentrique à rotation forcée
1	1 600	180
2	2 200	250
3	3 300	380
4	4 400	500
5	5 200	600

**REMARQUE :** Si l'outil est utilisé de manière continue à vitesse basse sur une période prolongée, le moteur surchauffera, entraînant un dysfonctionnement de l'outil.

**REMARQUE :** Le cadran de réglage de la vitesse ne peut pas être tourné plus haut que 5 ou plus bas que 1. N'essayez pas de le placer au-delà de 5 ou en dessous de 1, sinon le réglage de la vitesse risque de ne plus fonctionner.

## Sélection du mode de fonctionnement

Tournez le bouton de changement pour modifier le mode de rotation.

► **Fig.6:** 1. Bouton de changement

**REMARQUE :** Tournez toujours le bouton à fond. Si le bouton est sur la position intermédiaire, l'outil ne peut pas être mis sous tension.

**REMARQUE :** Il est impossible de changer le mode de fonctionnement lorsque l'outil est sous tension.

## Mode excentrique à rotation forcée

► **Fig.7:** 1. Bouton de changement

Le mode excentrique à rotation forcée consiste en une course orbitale avec rotation forcée du plateau pour un polissage grossier, comme le traitement de surface. Tournez le bouton de changement dans le sens inverse des aiguilles d'une montre pour le mode excentrique à rotation forcée.

## Mode excentrique

► **Fig.8:** 1. Bouton de changement

Le mode excentrique consiste en une course orbitale avec rotation libre du plateau pour un polissage fin. Tournez le bouton de changement dans le sens des aiguilles d'une montre pour le mode excentrique.

## Mode de finition

Dans le mode de finition, vous pouvez utiliser l'outil sans exercer une charge excessive. Ce mode convient au travail de finition.

Pour utiliser l'outil en mode de finition, enclenchez la gâchette et relâchez-la pour mettre l'outil sous tension, puis appuyez sur le bouton de changement de mode. Le témoin s'allume en vert. Pour revenir au mode normal, appuyez sur le bouton de changement de mode alors que l'outil est sous tension.

► **Fig.9:** 1. Témoin 2. Bouton de changement de mode

**NOTE :** Il est impossible de changer le mode lorsque l'outil tourne.

## Fonction de prévention de redémarrage accidentel

Si vous installez la batterie tout en enclenchant ou en verrouillant la gâchette, l'outil ne démarrera pas. Pour démarrer l'outil, relâchez la gâchette, puis enclenchez-la.

## Fonctions électroniques

Les caractéristiques suivantes facilitent l'utilisation des outils munis de fonctions électroniques.

## Commande de vitesse constante

Permet d'obtenir une finition précise puisque la vitesse de rotation est maintenue constante même en condition de charge.

## Fonction de démarrage en douceur

La suppression du choc de démarrage permet un démarrage en douceur.

## ASSEMBLAGE

**ATTENTION :** Assurez-vous toujours que l'outil est hors tension et que sa batterie est retirée avant d'effectuer toute tâche dessus.

## Pose du plateau de support

► **Fig.10:** 1. Clé hexagonale 2. Boulon 3. Plateau de support

Placez le plateau de support sur l'arbre, puis tournez le boulon dans le sens des aiguilles d'une montre avec une clé hexagonale.

**ATTENTION :** Assurez-vous que le plateau de support est solidement fixé. Une mauvaise fixation entraînera un déséquilibre et des vibrations excessives, ce qui peut provoquer une perte de contrôle.

## Installation de la poignée latérale

**Accessoire en option**

**ATTENTION :** Serrez fermement les capuchons ou la poignée latérale. Autrement, le couvercle avant pourrait tomber et provoquer des blessures.

► **Fig.11:** 1. Capuchon 2. Poignée latérale

Retirez le capuchon et vissez solidement la poignée latérale sur l'outil.

La poignée latérale peut être installée des deux côtés de l'outil.

## Pose ou dépose du plateau

### Accessoire en option

**⚠ ATTENTION : N'utilisez que des plateaux à fixation auto-agrippante pour le polissage.**

#### ► Fig.12: 1. Plateau

Pour installer le plateau, enlevez d'abord toute la saleté ou tout corps étranger de la fixation auto-agrippante du plateau et du plateau de support. Fixez le plateau sur le plateau de support en alignant leurs bords. Pour retirer le plateau du plateau de support, il suffit de le soulever par le bord.

**⚠ ATTENTION : Assurez-vous que le plateau et le plateau de support sont alignés et solidement fixés.** Le plateau provoquera autrement des vibrations excessives susceptibles d'entraîner une perte de contrôle ou le plateau risque d'être éjecté de l'outil.

## UTILISATION

**⚠ ATTENTION : N'utilisez que des plateaux de marque Makita pour le polissage (accessoires en option).**

**⚠ ATTENTION : Assurez-vous que le matériau à travailler est fixé en place et stable.** La chute d'un objet présente un risque de blessure.

**⚠ ATTENTION : Tenez fermement l'outil avec une main sur la poignée de l'interrupteur et l'autre main sur la poignée avant (ou poignée latérale) lorsque vous utilisez l'outil.**

**⚠ ATTENTION : Ne faites pas fonctionner l'outil à haut régime pendant une période prolongée.** Cela pourrait entraîner un dysfonctionnement de l'outil provoquant une électrocution, un incendie et/ou de graves blessures.

**⚠ ATTENTION : Prenez garde de ne pas toucher la pièce rotative.**

**⚠ ATTENTION : Avant d'utiliser l'outil, assurez-vous que la poignée latérale ou les capuchons ne sont pas desserrés.** Si la poignée latérale ou les capuchons sont desserrés, le couvercle avant pourrait tomber et provoquer des blessures.

**REMARQUE : Ne forcez jamais l'outil.** Une pression trop grande peut provoquer une diminution de l'efficacité du polissage, endommager le plateau ou réduire la durée de service de l'outil.

**REMARQUE : Un fonctionnement continu à vitesse élevée peut endommager la surface de travail.**

## Opération de polissage

### ► Fig.13

1. Traitement de surface (Mode excentrique à rotation forcée)

Utilisez un plateau en peau de mouton pour un fini grossier et un plateau en mousse pour un fini précis.

2. Application de cire (Mode excentrique)

Utilisez un plateau en mousse. Appliquez de la cire sur le plateau en mousse ou sur la surface de travail. Faites fonctionner l'outil à basse vitesse pour étendre la cire.

**⚠ ATTENTION : N'appliquez pas trop de cire ou d'agent de polissage.** Cela dégagera de la poussière et pourrait provoquer des affections oculaires ou respiratoires.

**NOTE : Commencez par effectuer un test de cirage sur une partie peu visible de la surface de travail.** Assurez-vous au préalable que l'outil n'éraflera pas la surface ou ne produira pas un cirage inégal.

3. Retrait de la cire (Mode excentrique)

Utilisez un autre plateau en mousse. Faites fonctionner l'outil pour retirer la cire.

4. Polissage (Mode excentrique)

Appliquez délicatement un plateau en feutre sur la surface de travail.

## ENTRETIEN

**⚠ ATTENTION : Assurez-vous toujours que l'outil est hors tension et que la batterie est retirée avant d'y effectuer tout travail d'inspection ou d'entretien.**

**REMARQUE : N'utilisez jamais d'essence, benzine, diluant, alcool ou autre produit similaire.** Cela risquerait de provoquer la décoloration, la déformation ou la fissuration de l'outil.

Pour assurer la SÉCURITÉ et la FIABILITÉ du produit, toute réparation, tout travail d'entretien ou de réglage doivent être effectués par un centre d'entretien Makita agréé, avec des pièces de rechange Makita.

## Nettoyage des pare-poussières

### ► Fig.14: 1. Pare-poussières

Nettoyez régulièrement les pare-poussières sur les orifices d'entrée d'air pour faciliter la circulation de l'air. Retirez les pare-poussières et nettoyez le filet.



# ACCESSOIRES EN OPTION

**⚠ ATTENTION** : Ces accessoires ou pièces complémentaires sont recommandés pour l'utilisation avec l'outil Makita spécifié dans ce mode d'emploi. L'utilisation de tout autre accessoire ou pièce complémentaire peut comporter un risque de blessure. N'utilisez les accessoires ou pièces complémentaires qu'aux fins auxquelles ils ont été conçus.

Pour obtenir plus de détails sur ces accessoires, contactez votre centre d'entretien local Makita.

- Poignée latérale
- Plateau de support
- Plateau en peau de mouton
- Plateau en mousse
- Plateau en feutre
- Batterie et chargeur Makita d'origine

**NOTE** : Il se peut que certains éléments de la liste soient compris dans l'emballage de l'outil en tant qu'accessoires standard. Ils peuvent varier d'un pays à l'autre.

## TECHNISCHE DATEN

Modell:		DPO500	DPO600
Stützteller-Durchmesser		123 mm	148 mm
Umdrehungen pro Minute	Normalmodus	0 - 6.800 min <sup>-1</sup>	
	Endbearbeitungsmodus	0 - 5.200 min <sup>-1</sup>	
Gesamtlänge		530 mm	
Nennspannung		18 V Gleichstrom	
Nettogewicht		3,1 - 3,6 kg	

- Wir behalten uns vor, Änderungen der technischen Daten im Zuge der Entwicklung und des technischen Fortschritts ohne vorherige Ankündigung vorzunehmen.
- Die technischen Daten und der Akku können von Land zu Land unterschiedlich sein.
- Das Gewicht kann abhängig von dem Aufsatz (den Aufsätzen), einschließlich des Akkus, unterschiedlich sein. Die leichteste und die schwerste Kombination, gemäß dem EPTA-Verfahren 01/2014, sind in der Tabelle angegeben.

### Zutreffende Akkus und Ladegeräte

Akku	BL1815N / BL1820B / BL1830B / BL1840B / BL1850B / BL1860B
Ladegerät	DC18RC / DC18RD / DC18RE / DC18SD / DC18SE / DC18SF / DC18SH / DC18WC

- Einige der oben aufgelisteten Akkus und Ladegeräte sind je nach Ihrem Wohngebiet eventuell nicht erhältlich.

**⚠️ WARNUNG:** Verwenden Sie nur die oben aufgeführten Akkus und Ladegeräte. Bei Verwendung irgendwelcher anderer Akkus und Ladegeräte besteht Verletzungs- und/oder Brandgefahr.

### Vorgesehene Verwendung

Das Werkzeug ist zum Polieren vorgesehen.

### Geräusch

Typischer A-bewerteter Geräuschpegel ermittelt gemäß EN62841-2-4:

#### Modell DPO500

Schalldruckpegel ( $L_{pA}$ ): 85 dB (A)  
 Schalleistungspegel ( $L_{WA}$ ): 93 dB (A)  
 Messunsicherheit (K): 3 dB (A)

#### Modell DPO600

Schalldruckpegel ( $L_{pA}$ ): 86 dB (A)  
 Schalleistungspegel ( $L_{WA}$ ): 94 dB (A)  
 Messunsicherheit (K): 3 dB (A)

**HINWEIS:** Der (Die) angegebene(n) Schallemissionswert(e) wurde(n) im Einklang mit der Standardprüfmethode gemessen und kann (können) für den Vergleich zwischen Werkzeugen herangezogen werden.

**HINWEIS:** Der (Die) angegebene(n) Schallemissionswert(e) kann (können) auch für eine Vorbewertung des Gefährdungsgrads verwendet werden.

**⚠️ WARNUNG:** Einen Gehörschutz tragen.

**⚠️ WARNUNG:** Die Schallemission während der tatsächlichen Benutzung des Elektrowerkzeugs kann je nach der Benutzungsweise des Werkzeugs, und speziell je nach der Art des bearbeiteten Werkstücks, von dem (den) angegebenen Wert(en) abweichen.

**⚠️ WARNUNG:** Identifizieren Sie Sicherheitsmaßnahmen zum Schutz des Benutzers anhand einer Schätzung des Gefährdungsgrads unter den tatsächlichen Benutzungsbedingungen (unter Berücksichtigung aller Phasen des Arbeitszyklus, wie z. B. Ausschalt- und Leerlaufzeiten des Werkzeugs zusätzlich zur Betriebszeit).

### Schwingungen

Schwingungsgesamtwert (Drei-Achsen-Vektorsumme) ermittelt gemäß EN62841-2-4:

#### Modell DPO500

Arbeitsmodus: Polieren  
 Schwingungsemission ( $a_{h,p}$ ): 9,5 m/s<sup>2</sup>  
 Messunsicherheit (K): 1,5 m/s<sup>2</sup>

#### Modell DPO600

Arbeitsmodus: Polieren  
 Schwingungsemission ( $a_{h,p}$ ): 10,0 m/s<sup>2</sup>  
 Messunsicherheit (K): 1,5 m/s<sup>2</sup>

**HINWEIS:** Der (Die) angegebene(n)

Vibrationsgesamtwert(e) wurde(n) im Einklang mit der Standardprüfmethode gemessen und kann (können) für den Vergleich zwischen Werkzeugen herangezogen werden.

**HINWEIS:** Der (Die) angegebene(n)

Vibrationsgesamtwert(e) kann (können) auch für eine Vorbewertung des Gefährdungsgrads verwendet werden.

**⚠️ WARNUNG:** Die Vibrationsemission während der tatsächlichen Benutzung des Elektrowerkzeugs kann je nach der Benutzungsweise des Werkzeugs, und speziell je nach der Art des bearbeiteten Werkstücks, von dem (den) angegebenen Emissionswert(en) abweichen.

**⚠️ WARNUNG:** Identifizieren Sie Sicherheitsmaßnahmen zum Schutz des Benutzers anhand einer Schätzung des Gefährdungsgrads unter den tatsächlichen Benutzungsbedingungen (unter Berücksichtigung aller Phasen des Arbeitszyklus, wie z. B. Ausschalt- und Leerlaufzeiten des Werkzeugs zusätzlich zur Betriebszeit).

## Konformitätserklärungen

### Nur für europäische Länder

Die Konformitätserklärungen sind in Anhang A dieser Betriebsanleitung enthalten.

## SICHERHEITSWARNUNGEN

### Allgemeine Sicherheitswarnungen für Elektrowerkzeuge

**⚠️ WARNUNG** Lesen Sie alle Sicherheitshinweise, Anweisungen, Abbildungen und Spezifikationen, die diesem Elektrowerkzeug beiliegen. Eine Missachtung der unten aufgeführten Anweisungen kann zu einem elektrischen Schlag, Brand und/oder schweren Verletzungen führen.

### Bewahren Sie alle Warnungen und Anweisungen für spätere Bezugnahme auf.

Der Ausdruck „Elektrowerkzeug“ in den Warnhinweisen bezieht sich auf Ihr mit Netzstrom (mit Kabel) oder Akku (ohne Kabel) betriebenes Elektrowerkzeug.

## Sicherheitswarnungen für Akku-Exzenter-Rotationspolierer

1. Lassen Sie das Werkzeug nicht unbeaufsichtigt laufen. Benutzen Sie das Werkzeug nur im handgeführten Einsatz.
2. Vergewissern Sie sich, dass das Werkstück sicher abgestützt ist.
3. Verwenden Sie dieses Werkzeug nicht zur Bearbeitung von asbesthaltigen Materialien.
4. Berühren Sie nicht die Schraube am Stützteller unmittelbar nach dem Betrieb. Sie kann sehr heiß sein und Hautverbrennungen verursachen.
5. Vergewissern Sie sich vor Gebrauch, dass der Teller keine Risse oder Brüche aufweist. Falls Sie das Werkzeug fallen lassen, vergewissern Sie sich, dass kein Bruch vorhanden ist, und lassen Sie das Werkzeug etwa 1 Minute lang bei Nulllast mit der Maximaldrehzahl laufen, um sicherzustellen, dass keine Unregelmäßigkeit am Werkzeug besteht. Risse oder Brüche können Personenschäden verursachen.

## BEWAHREN SIE DIESE ANLEITUNG AUF.

**⚠️ WARNUNG:** Lassen Sie sich NICHT durch Bequemlichkeit oder Vertrautheit mit dem Produkt (durch wiederholten Gebrauch erworben) von der strikten Einhaltung der Sicherheitsregeln für das vorliegende Produkt abhalten. MISSBRAUCH oder Missachtung der Sicherheitsvorschriften in dieser Anleitung können schwere Personenschäden verursachen.

## Wichtige Sicherheitsanweisungen für Akku

1. Lesen Sie vor der Benutzung des Akkus alle Anweisungen und Warnhinweise, die an (1) Ladegerät, (2) Akku und (3) Akkuwerkzeug angebracht sind.
2. Unterlassen Sie Zerlegen oder Manipulieren des Akkus. Es kann sonst zu einem Brand, übermäßiger Hitzeentwicklung oder einer Explosion kommen.
3. Falls die Betriebszeit beträchtlich kürzer geworden ist, stellen Sie den Betrieb sofort ein. Anderenfalls besteht die Gefahr von Überhitzung, möglichen Verbrennungen und sogar einer Explosion.
4. Falls Elektrolyt in Ihre Augen gelangt, waschen Sie sie mit sauberem Wasser aus, und begeben Sie sich unverzüglich in ärztliche Behandlung. Anderenfalls können Sie Ihre Sehkraft verlieren.
5. Der Akku darf nicht kurzgeschlossen werden:
  - (1) Die Kontakte dürfen nicht mit leitfähigem Material berührt werden.
  - (2) Lagern Sie den Akku nicht in einem Behälter zusammen mit anderen Metallgegenständen, wie z. B. Nägel, Münzen usw.
  - (3) Setzen Sie den Akku weder Wasser noch Regen aus.

- Ein Kurzschluss des Akkus verursacht starken Stromfluss, der Überhitzung, mögliche Verbrennungen und einen Defekt zur Folge haben kann.
6. **Lagern und benutzen Sie das Werkzeug und den Akku nicht an Orten, an denen die Temperatur 50 °C erreichen oder überschreiten kann.**
  7. **Versuchen Sie niemals, den Akku zu verbrennen, selbst wenn er stark beschädigt oder vollkommen verbraucht ist. Der Akku kann im Feuer explodieren.**
  8. **Unterlassen Sie Nageln, Schneiden, Zerquetschen, Werfen, Fallenlassen des Akkus oder Schlagen des Akkus mit einem harten Gegenstand.** Eine solche Handlung kann zu einem Brand, übermäßiger Hitzeentwicklung oder einer Explosion führen.
  9. **Benutzen Sie keine beschädigten Akkus.**
  10. **Die enthaltenen Lithium-Ionen-Akkus unterliegen den Anforderungen der Gefahrgut-Gesetzgebung.**  
Für kommerzielle Transporte, z. B. durch Dritte oder Spediteure, müssen besondere Anforderungen zu Verpackung und Etikettierung beachtet werden.  
Zur Vorbereitung des zu transportierenden Artikels ist eine Beratung durch einen Experten für Gefahrgut erforderlich. Bitte beachten Sie möglicherweise ausführlichere nationale Vorschriften. Überkleben oder verdecken Sie offene Kontakte, und verpacken Sie den Akku so, dass er sich in der Verpackung nicht umher bewegen kann.
  11. **Entfernen Sie den Akku zum Entsorgen vom Werkzeug, und entsorgen Sie ihn an einem sicheren Ort. Befolgen Sie die örtlichen Vorschriften bezüglich der Entsorgung von Akkus.**
  12. **Verwenden Sie die Akkus nur mit den von Makita angegebenen Produkten.** Das Einsetzen der Akkus in nicht konforme Produkte kann zu einem Brand, übermäßiger Hitzebildung, einer Explosion oder Auslaufen von Elektrolyt führen.
  13. **Soll das Werkzeug längere Zeit nicht benutzt werden, muss der Akku vom Werkzeug entfernt werden.**
  14. **Bei und nach dem Gebrauch kann der Akku heiß werden, was Verbrennungen oder Niedertemperaturverbrennungen verursachen kann. Beachten Sie die Handhabung von heißen Akkus.**
  15. **Berühren Sie nicht den Anschlusskontakt des Werkzeugs unmittelbar nach dem Gebrauch, da er heiß genug werden kann, um Verbrennungen zu verursachen.**
  16. **Achten Sie darauf, dass sich keine Späne, Staub oder Schmutz in den Anschlusskontakten, Löchern und Nuten des Akkus absetzen.** Es könnte sonst zu Erhitzung, Brandauslösung, Bersten und Funktionsstörungen des Werkzeugs oder des Akkus kommen, was zu Verbrennungen oder Personenschäden führen kann.
  17. **Wenn das Werkzeug den Einsatz in der Nähe einer Hochspannungs-Stromleitung nicht unterstützt, benutzen Sie den Akku nicht in der Nähe einer Hochspannungs-Stromleitung.** Dies kann zu einer Funktionsstörung oder Betriebsstörung des Werkzeugs oder des Akkus führen.
  18. **Halten Sie die Batterie von Kindern fern.**

## **DIESE ANWEISUNGEN AUFBEWAHREN.**

**⚠VORSICHT:** Verwenden Sie nur **Original-Makita-Akkus**. Die Verwendung von Nicht-Original-Makita-Akkus oder von Akkus, die abgeändert worden sind, kann zum Bersten des Akkus und daraus resultierenden Bränden, Personenschäden und Beschädigung führen. Außerdem wird dadurch die Makita-Garantie für das Makita-Werkzeug und -Ladegerät ungültig.

## **Hinweise zur Aufrechterhaltung der maximalen Akku-Nutzungsdauer**

1. **Laden Sie den Akku, bevor er vollkommen erschöpft ist. Schalten Sie das Werkzeug stets aus, und laden Sie den Akku, wenn Sie ein Nachlassen der Werkzeugleistung feststellen.**
2. **Unterlassen Sie erneutes Laden eines voll aufgeladenen Akkus. Überladen führt zu einer Verkürzung der Nutzungsdauer des Akkus.**
3. **Laden Sie den Akku bei Raumtemperatur zwischen 10 – 40 °C. Lassen Sie einen heißen Akku abkühlen, bevor Sie ihn laden.**
4. **Wenn Sie den Akku nicht benutzen, nehmen Sie ihn vom Werkzeug oder Ladegerät ab.**
5. **Der Akku muss geladen werden, wenn er lange Zeit (länger als sechs Monate) nicht benutzt wird.**

# FUNKTIONSBE- SCHREIBUNG

**⚠ VORSICHT:** Vergewissern Sie sich vor der Durchführung von Einstellungen oder Funktionsprüfungen des Werkzeugs stets, dass das Werkzeug ausgeschaltet und der Akku abgenommen ist.

## Anbringen und Abnehmen des Akkus

**⚠ VORSICHT:** Schalten Sie das Werkzeug stets aus, bevor Sie den Akku anbringen oder abnehmen.

**⚠ VORSICHT:** Halten Sie das Werkzeug und den Akku beim Anbringen oder Abnehmen des Akkus sicher fest. Wenn Sie das Werkzeug und den Akku nicht sicher festhalten, können sie Ihnen aus der Hand rutschen, was zu einer Beschädigung des Werkzeugs und des Akkus und zu Körperverletzungen führen kann.

► **Abb. 1:** 1. Rote Anzeige 2. Knopf 3. Akku

Ziehen Sie den Akku zum Abnehmen vom Werkzeug ab, während Sie den Knopf an der Vorderseite des Akkus verschieben.

Richten Sie zum Anbringen des Akkus dessen Führungsfeder auf die Nut im Gehäuse aus, und schieben Sie den Akku hinein. Schieben Sie ihn vollständig ein, bis er mit einem leisen Klicken einrastet. Wenn Sie die rote Anzeige sehen können, wie in der Abbildung gezeigt, ist der Akku nicht vollständig verriegelt.

**⚠ VORSICHT:** Schieben Sie den Akku stets bis zum Anschlag ein, bis die rote Anzeige nicht mehr sichtbar ist. Anderenfalls kann er aus dem Werkzeug herausfallen und Sie oder umstehende Personen verletzen.


















**⚠ VORSICHT:** Unterlassen Sie Gewaltanwendung beim Anbringen des Akkus. Falls der Akku nicht reibungslos hineingleitet, ist er nicht richtig ausgerichtet.

## Anzeigen der Akku-Restkapazität

**Nur für Akkus mit Anzeige**

► **Abb. 2:** 1. Anzeigelampen 2. Prüftaste

Drücken Sie die Prüftaste am Akku, um die Akku-Restkapazität anzuzeigen. Die Anzeigelampen leuchten wenige Sekunden lang auf.

Anzeigelampen			Restkapazität
 Erleuchtet	 Aus	 Blinkend	
			75% bis 100%
			50% bis 75%
			25% bis 50%
			0% bis 25%
			Den Akku aufladen.
			Möglicherweise liegt eine Funktionsstörung im Akku vor.
			

**HINWEIS:** Abhängig von den Benutzungsbedingungen und der Umgebungstemperatur kann die Anzeige geringfügig von der tatsächlichen Kapazität abweichen.

**HINWEIS:** Die erste (äußerste linke) Anzeigelampe blinkt, wenn das Akku-Schutzsystem aktiv ist.

## Werkzeug/Akku-Schutzsystem

Das Werkzeug ist mit einem Werkzeug/Akku-Schutzsystem ausgestattet. Dieses System schaltet die Stromversorgung des Motors automatisch ab, um die Lebensdauer von Werkzeug und Akku zu verlängern. Das Werkzeug bleibt während des Betriebs automatisch stehen, wenn das Werkzeug oder der Akku einer der folgenden Bedingungen unterliegt:

### Überlastschutz

Wird das Werkzeug oder der Akku auf eine Weise benutzt, die eine ungewöhnlich hohe Stromaufnahme bewirkt, bleibt das Werkzeug ohne jegliche Anzeige automatisch stehen. Schalten Sie in dieser Situation das Werkzeug aus, und brechen Sie die Arbeit ab, die eine Überlastung des Werkzeugs verursacht hat. Schalten Sie dann das Werkzeug wieder ein, um es neu zu starten.

### Überhitzungsschutz

Wenn das Werkzeug oder der Akku überhitzt wird, bleibt das Werkzeug automatisch stehen. Lassen Sie das Werkzeug und den Akku in diesem Fall abkühlen, bevor Sie das Werkzeug wieder einschalten.

### Überentladungsschutz


Wenn die Akkukapazität unzureichend wird, bleibt das Werkzeug automatisch stehen. Nehmen Sie in diesem Fall den Akku vom Werkzeug ab, und laden Sie ihn auf.

## Schalterfunktion

**⚠ VORSICHT:** Vergewissern Sie sich vor dem Einsetzen des Akkus in das Werkzeug stets, dass der Ein-Aus-Schalter ordnungsgemäß funktioniert und beim Loslassen in die AUS-Stellung zurückkehrt.



**⚠ VORSICHT:** Der Schalter kann zur Arbeiterleichterung bei längerem Einsatz in der EIN-Stellung verriegelt werden. Lassen Sie Vorsicht walten, wenn Sie den Schalter in der EIN-Stellung verriegeln, und halten Sie das Werkzeug mit festem Griff.

**⚠ VORSICHT:** Montieren Sie den Akku nicht bei eingerastetem Arretierknopf.

**⚠ VORSICHT:** Wenn Sie das Werkzeug nicht benutzen, drücken Sie den Auslösersperknopf auf der Seite  hinein, um den Auslöseschalter in der Stellung AUS zu verriegeln.

► **Abb.3:** 1. Auslösersperknopf

► **Abb.4:** 1. Ein-Aus-Schalter 2. Arretierknopf  
3. Auslösersperknopf

Um versehentliche Betätigung des Auslöseschalters zu verhüten, ist das Werkzeug mit einem Auslösersperknopf ausgestattet. Um das Werkzeug zu starten, drücken Sie den Auslösersperknopf auf der Seite A () hinein, und betätigen Sie den Auslöseschalter. Die Drehzahl erhöht sich durch verstärkte Druckausübung auf den Auslöseschalter. Zum Anhalten lassen Sie den Auslöseschalter los. Drücken Sie den Auslösersperknopf nach der Benutzung auf der Seite B () hinein.

Für Dauerbetrieb drücken Sie den Arretierknopf hinein, während Sie den Auslöseschalter betätigen, und lassen Sie dann den Auslöseschalter los. Zum Anhalten des Werkzeugs betätigen Sie den Auslöseschalter vollständig, und lassen Sie ihn dann los.

## Drehzahl-Stellrad

► **Abb.5:** 1. Drehzahl-Stellrad

Die Drehzahl kann durch Drehen des Drehzahl-Stellrads auf eine der Stufen von 1 bis 5 verstellt werden. Durch Drehen des Stellrads in Richtung der Stufe 5 wird die Drehzahl erhöht. Durch Drehen des Stellrads in Richtung der Stufe 1 wird die Drehzahl verringert. Die ungefähren Drehzahlen für die einzelnen Stellrad-Positionen sind aus der nachstehenden Tabelle ersichtlich.

### Normalmodus

Nummer	Umdrehungen pro Minute	Schleiftellerdrehzahl pro Minute im Random-Orbit-Modus mit Zwangsrotation
1	1.600	180
2	2.500	290
3	4.000	460
4	5.600	650
5	6.800	780

### Endbearbeitungsmodus

Nummer	Umdrehungen pro Minute	Schleiftellerdrehzahl pro Minute im Random-Orbit-Modus mit Zwangsrotation
1	1.600	180
2	2.200	250
3	3.300	380
4	4.400	500
5	5.200	600

**ANMERKUNG:** Wird das Werkzeug über längere Zeitspannen im Dauerbetrieb mit niedriger Drehzahl betrieben, führt das zu einer Überlastung des Motors, die eine Funktionsstörung zur Folge haben kann.

**ANMERKUNG:** Das Drehzahl-Stellrad lässt sich nur bis 5 und zurück auf 1 drehen. Wird es gewaltsam über 5 oder 1 hinaus gedreht, kann die Drehzahleinstellfunktion unbrauchbar werden.

## Wahl der Betriebsart

Drehen Sie den Betriebsartenknopf, um den Rotationsmodus zu wechseln.

► **Abb.6:** 1. Betriebsartenknopf

**ANMERKUNG:** Drehen Sie den Knopf immer bis zum Anschlag. Befindet sich der Knopf in einer Zwischenstellung, kann das Werkzeug nicht eingeschaltet werden.

**ANMERKUNG:** Die Betriebsart kann nicht bei eingeschaltetem Werkzeug gewechselt werden.

## Random-Orbit-Modus mit Zwangsrotation

► **Abb.7:** 1. Betriebsartenknopf

Im Random-Orbit-Modus mit Zwangsrotation führt das Werkzeug eine Umlaufbewegung mit Zwangsrotation des Schleiftellers für grobes Polieren, z. B. zur Oberflächenbehandlung, aus.

Drehen Sie den Betriebsartenknopf entgegen dem Uhrzeigersinn, um den Random-Orbit-Modus mit Zwangsrotation zu wählen.

## Random-Orbit-Modus

► **Abb.8:** 1. Betriebsartenknopf

Im Random-Orbit-Modus führt das Werkzeug eine Umlaufbewegung mit freier Rotation des Schleiftellers für Polieren aus.

Drehen Sie den Betriebsartenknopf im Uhrzeigersinn, um den Random-Orbit-Modus zu wählen.

## Endbearbeitungsmodus

Im Endbearbeitungsmodus können Sie das Werkzeug betreiben, ohne übermäßige Last auszuüben. Dieser Modus eignet sich für Endbearbeitung. Um das Werkzeug im Endbearbeitungsmodus zu benutzen, betätigen Sie den Auslöseschalter, lassen Sie ihn zum Einschalten des Werkzeuges los, und drücken Sie dann die Betriebsart-Umschalttaste. Die Lampe leuchtet in Grün auf. Um zum Normalmodus zurückzukehren, drücken Sie die Betriebsart-Umschalttaste bei eingeschaltetem Werkzeug.

► **Abb.9:** 1. Lampe 2. Betriebsart-Umschalttaste

**HINWEIS:** Die Betriebsart kann nicht bei laufendem Werkzeug gewechselt werden.

## Funktion zur Verhütung eines versehentlichen Wiederanlaufs

Falls Sie den Akku montieren, während Sie den Auslöseschalter betätigen oder sperren, startet das Werkzeug nicht. Zum Starten des Werkzeugs lassen Sie den Auslöseschalter zunächst los, bevor Sie ihn betätigen.

## Elektronikfunktionen

Die mit Elektronikfunktionen ausgestatteten Werkzeuge weisen die folgenden Merkmale zur Bedienungserleichterung auf.

## Konstantdrehzahlregelung

Feines Finish wird ermöglicht, weil die Drehzahl selbst unter Belastung konstant gehalten wird.

## Soft-Start-Funktion

Diese Funktion gewährleistet ruckfreies Anlaufen durch Anlaufstoßunterdrückung.

## MONTAGE

**⚠ VORSICHT:** Vergewissern Sie sich vor der Ausführung von Arbeiten am Werkzeug stets, dass das Werkzeug ausgeschaltet und der Akku abgenommen ist.

## Montieren des Stütztellers

► **Abb.10:** 1. Inbusschlüssel 2. Schraube  
3. Stützteller

Setzen Sie den Stützteller auf die Welle, und ziehen Sie dann die Schraube mit einem Inbusschlüssel im Uhrzeigersinn an.

**⚠ VORSICHT:** Vergewissern Sie sich, dass der Stützteller sicher montiert ist. Lockere Anbringung verursacht eine Unwucht und übermäßige Vibrationen, die zum Verlust der Kontrolle führen können.

## Montieren des Seitengriffs

### Sonderzubehör

**⚠ VORSICHT:** Ziehen Sie die Kappen oder den Seitengriff fest an. Anderenfalls kann die Frontabdeckung herunterfallen und eine Verletzung verursachen.

► **Abb.11:** 1. Kappe 2. Seitengriff

Entfernen Sie die Kappe, und schrauben Sie den Seitengriff fest an das Werkzeug an. Der Seitengriff kann auf beiden Seiten des Werkzeugs montiert werden.

## Anbringen und Abnehmen des Schleiftellers

### Sonderzubehör

**⚠ VORSICHT:** Verwenden Sie nur Schleifteller mit Klettverschlussystem.

► **Abb.12:** 1. Schleifteller

Um den Schleifteller zu montieren, reinigen Sie zuerst das Klettverschlussystem des Schleiftellers und des Stütztellers von sämtlichem Schmutz und Fremdkörpern. Bringen Sie den Schleifteller so am Stützteller an, dass ihre Kanten bündig sind. Um den Schleifteller vom Stützteller abzunehmen, ziehen Sie ihn einfach am Rand hoch.

**⚠ VORSICHT:** Vergewissern Sie sich, dass Schleifteller und Stützteller bündig und sicher befestigt sind. Anderenfalls verursacht der Schleifteller übermäßige Vibrationen, die zum Verlust der Kontrolle führen oder den Schleifteller vom Werkzeug wegschleudern können.

## BETRIEB

**⚠ VORSICHT:** Verwenden Sie nur Original-Makita-Polierpads (Sonderzubehör).

**⚠ VORSICHT:** Vergewissern Sie sich, dass das Arbeitsmaterial gesichert und stabil ist. Herunterfallende Objekte können Personenschäden verursachen.

**⚠ VORSICHT:** Halten Sie das Werkzeug während der Arbeit mit der einen Hand am Schaltergriff und mit der anderen Hand am Frontgriff (oder Seitengriff) fest.

**⚠ VORSICHT:** Betreiben Sie das Werkzeug nicht mit hoher Last über längere Zeitspannen. Dies kann zu einer Funktionsstörung des Werkzeugs führen, die einen elektrischen Schlag, einen Brand und/oder schwere Verletzungen verursachen kann.

**⚠ VORSICHT:** Achten Sie darauf, keine rotierenden Teile zu berühren.

**⚠ VORSICHT:** Vergewissern Sie sich vor der Benutzung des Werkzeugs, dass der Seitengriff oder die Kappen nicht locker sind. Falls der Seitengriff oder die Kappen locker sind, kann die Frontabdeckung herunterfallen und eine Verletzung verursachen.

**ANMERKUNG:** Unterlassen Sie jegliche Gewaltanwendung. Übermäßiger Druck kann zu verminderter Polierleistung, Beschädigung des Schleiftellers oder Verkürzung der Lebensdauer des Werkzeugs führen.

**ANMERKUNG:** Durch fortgesetzten Betrieb mit hoher Drehzahl kann die Bearbeitungsfläche beschädigt werden.

## Polierbetrieb

### ► Abb.13

1. Oberflächenbehandlung (Random-Orbit-Modus mit Zwangsrotation)

Verwenden Sie ein Wollpad für grobe Bearbeitung, und dann ein Schaumstoffpad für feine Bearbeitung.

2. Auftragen von Wachs (Random-Orbit-Modus)

Verwenden Sie ein Schaumstoffpad. Tragen Sie Wachs auf das Schaumstoffpad oder die Bearbeitungsfläche auf. Betreiben Sie das Werkzeug mit niedriger Drehzahl, um das Wachs zu verteilen.

**⚠ VORSICHT:** Tragen Sie nicht zu viel Wachs oder Poliermittel auf. Dies erzeugt mehr Staub und kann eine Reizung der Augen oder Atemwege verursachen.

**HINWEIS:** Führen Sie zuerst Probewachsen auf einem unauffälligen Teil der Bearbeitungsfläche durch. Vergewissern Sie sich, dass das Werkzeug die Oberfläche nicht verkratzt oder ungleichmäßiges Wachsen verursacht.

3. Entfernen von Wachs (Random-Orbit-Modus)

Verwenden Sie ein anderes Schaumstoffpad. Betreiben Sie das Werkzeug, um das Wachs zu entfernen.

4. Polieren (Random-Orbit-Modus)

Setzen Sie eine Filzscheibe sachte auf die Bearbeitungsfläche auf.

## WARTUNG

**⚠ VORSICHT:** Vergewissern Sie sich vor der Durchführung von Inspektions- oder Wartungsarbeiten stets, dass das Werkzeug ausgeschaltet und der Akku abgenommen ist.

**ANMERKUNG:** Verwenden Sie auf keinen Fall Benzin, Waschbenzin, Verdünnern, Alkohol oder dergleichen. Solche Mittel können Verfärbung, Verformung oder Rissbildung verursachen.

Um die SICHERHEIT und ZUVERLÄSSIGKEIT dieses Produkts zu gewährleisten, sollten Reparaturen und andere Wartungs- oder Einstellarbeiten nur von Makita-Vertragswerkstätten oder Makita-Kundendienstzentren unter ausschließlicher Verwendung von Makita-Originalersatzteilen ausgeführt werden.

## Reinigen von Staubfängern

### ► Abb.14: 1. Staubfänger

Reinigen Sie die Staubfänger an den Ansaugöffnungen regelmäßig, um reibungslose Luftzirkulation zu gewährleisten. Entfernen Sie die Staubfänger, und reinigen Sie das Netz.

## SONDERZUBEHÖR

**⚠ VORSICHT:** Die folgenden Zubehörteile oder Vorrichtungen werden für den Einsatz mit dem in dieser Anleitung beschriebenen Makita-Werkzeug empfohlen. Die Verwendung anderer Zubehörteile oder Vorrichtungen kann eine Verletzungsgefahr darstellen. Verwenden Sie Zubehörteile oder Vorrichtungen nur für ihren vorgesehenen Zweck.

Wenn Sie weitere Einzelheiten bezüglich dieser Zubehörteile benötigen, wenden Sie sich bitte an Ihre Makita-Kundendienststelle.

- Seitengriff
- Stützteller
- Wollpad
- Schaumstoffpad
- Filzscheibe
- Original-Makita-Akku und -Ladegerät

**HINWEIS:** Manche Teile in der Liste können als Standardzubehör im Werkzeugsatz enthalten sein. Sie können von Land zu Land unterschiedlich sein.



## DATI TECNICI

Modello:		DPO500	DPO600
Diametro del platorello di sostegno		123 mm	148 mm
Orbite (giri) al minuto	Modalità normale	0 - 6.800 min <sup>-1</sup>	
	Modalità di finitura	0 - 5.200 min <sup>-1</sup>	
Lunghezza complessiva		530 mm	
Tensione nominale		18 V C.C.	
Peso netto		Da 3,1 a 3,6 kg	

- A causa del nostro programma continuativo di ricerca e sviluppo, i dati tecnici sono soggetti a modifiche senza preavviso.
- I dati tecnici e la cartuccia della batteria potrebbero differire da nazione a nazione.
- Il peso può variare a seconda dell'accessorio o degli accessori, inclusa la cartuccia della batteria. La combinazione più leggera e quella più pesante, secondo la procedura EPTA 01/2014, sono indicate nella tabella.

## Cartuccia della batteria e caricabatterie applicabili

Cartuccia della batteria	BL1815N / BL1820B / BL1830B / BL1840B / BL1850B / BL1860B
Caricabatterie	DC18RC / DC18RD / DC18RE / DC18SD / DC18SE / DC18SF / DC18SH / DC18WC

- Alcune cartucce delle batterie e alcuni caricabatterie elencati sopra potrebbero non essere disponibili a seconda della propria area geografica di residenza.

**⚠AVVERTIMENTO:** Utilizzare solo le cartucce delle batterie e i caricabatterie elencati sopra. L'utilizzo di altre cartucce delle batterie e di altri caricabatterie potrebbe causare lesioni personali e/o un incendio.

## Utilizzo previsto

Questo utensile è destinato alla lucidatura.

## Rumore

Livello tipico di rumore pesato A determinato in base allo standard EN62841-2-4:

### Modello DPO500

Livello di pressione sonora ( $L_{pA}$ ): 85 dB (A)

Livello di potenza sonora ( $L_{WA}$ ): 93 dB (A)

Incertezza (K): 3 dB (A)

### Modello DPO600

Livello di pressione sonora ( $L_{pA}$ ): 86 dB (A)

Livello di potenza sonora ( $L_{WA}$ ): 94 dB (A)

Incertezza (K): 3 dB (A)

**NOTA:** Il valore o i valori dichiarati delle emissioni di rumori sono stati misurati in conformità a un metodo standard di verifica, e possono essere utilizzati per confrontare un utensile con un altro.

**NOTA:** Il valore o i valori dichiarati delle emissioni di rumori possono venire utilizzati anche per una valutazione preliminare dell'esposizione.

**⚠AVVERTIMENTO:** Indossare protezioni per le orecchie.

**⚠AVVERTIMENTO:** L'emissione di rumori durante l'utilizzo effettivo dell'utensile elettrico può variare rispetto al valore o ai valori dichiarati, a seconda dei modi in cui viene utilizzato l'utensile e specialmente a seconda di che tipo di pezzo venga lavorato.

**⚠AVVERTIMENTO:** Accertarsi di identificare misure di sicurezza per la protezione dell'operatore che siano basate su una stima dell'esposizione nelle condizioni effettive di utilizzo (tenendo conto di tutte le parti del ciclo operativo, ad esempio del numero di spegnimenti dell'utensile e di quando giri a vuoto, oltre al tempo di attivazione).

## Vibrazioni

Valore totale delle vibrazioni (somma vettoriale triassiale) determinato in base allo standard EN62841-2-4:

### Modello DPO500

Modalità di lavoro: lucidatura

Emissione di vibrazioni ( $a_{h,p}$ ): 9,5 m/s<sup>2</sup>

Incertezza (K): 1,5 m/s<sup>2</sup>

### Modello DPO600

Modalità di lavoro: lucidatura

Emissione di vibrazioni ( $a_{h,p}$ ): 10,0 m/s<sup>2</sup>

Incertezza (K): 1,5 m/s<sup>2</sup>

**NOTA:** Il valore o i valori complessivi delle vibrazioni dichiarati sono stati misurati in conformità a un metodo standard di verifica, e possono essere utilizzati per confrontare un utensile con un altro.

**NOTA:** Il valore o i valori complessivi delle vibrazioni dichiarati possono venire utilizzati anche per una valutazione preliminare dell'esposizione.

**⚠AVVERTIMENTO:** L'emissione delle vibrazioni durante l'utilizzo effettivo dell'utensile elettrico può variare rispetto al valore o ai valori dichiarati, a seconda dei modi in cui viene utilizzato l'utensile, specialmente a seconda di che tipo di pezzo venga lavorato.

**⚠AVVERTIMENTO:** Accertarsi di identificare misure di sicurezza per la protezione dell'operatore che siano basate su una stima dell'esposizione nelle condizioni effettive di utilizzo (tenendo conto di tutte le parti del ciclo operativo, ad esempio del numero di spegnimenti dell'utensile e di quando giri a vuoto, oltre al tempo di attivazione).

## Dichiarazioni di conformità

*Solo per i paesi europei*

Le Dichiarazioni di conformità sono incluse nell'Allegato A al presente manuale d'uso.

## AVVERTENZE DI SICUREZZA

### Avvertenze generali relative alla sicurezza dell'utensile elettrico

**⚠AVVERTIMENTO** Leggere tutte le avvertenze di sicurezza, le istruzioni, le illustrazioni e i dati tecnici forniti insieme a questo utensile elettrico. La mancata osservanza di tutte le istruzioni seguenti potrebbe risultare in scosse elettriche, incendi e/o gravi lesioni personali.

### Conservare tutte le avvertenze e le istruzioni come riferimento futuro.

Il termine "utensile elettrico" nelle avvertenze si riferisce sia all'utensile elettrico (cablato) nel funzionamento alimentato da rete elettrica che all'utensile elettrico (a batteria) nel funzionamento alimentato a batteria.

### Avvertenze di sicurezza relative alla lucidatrice rotorbitale a batteria

1. Non lasciare l'utensile mentre è in funzione. Far funzionare l'utensile solo mentre viene tenuto in mano.
2. Verificare che il pezzo in lavorazione sia supportato in modo appropriato.
3. Non utilizzare l'utensile su alcun materiale contenente amianto.

4. Non toccare il bullone sul platello di sostegno subito dopo l'uso. La sua temperatura potrebbe essere estremamente elevata e potrebbe causare ustioni.
5. Accertarsi che non sia presente alcuna fessurazione o spaccatura sul platello prima dell'uso. Qualora si faccia cadere l'utensile, verificare che non siano presenti spaccature e far funzionare l'utensile per circa 1 minuto alla massima velocità a vuoto, per controllare che non vi siano anomalie nell'utensile. Le fessurazioni o le spaccature potrebbero causare lesioni personali.

## CONSERVARE LE PRESENTI ISTRUZIONI.

**⚠AVVERTIMENTO:** NON lasciare che comodità o la familiarità d'utilizzo con il prodotto (acquisita con l'uso ripetuto) sostituisca la stretta osservanza delle norme di sicurezza per il prodotto in questione. L'USO IMPROPRIO o la mancata osservanza delle norme di sicurezza indicate nel presente manuale di istruzioni potrebbero causare gravi lesioni personali.

## Istruzioni di sicurezza importanti per la cartuccia della batteria

1. Prima di utilizzare la cartuccia della batteria, leggere tutte le istruzioni e le avvertenze riportate (1) sul caricabatteria, (2) sulla batteria e (3) sul prodotto che utilizza la batteria.
2. Non smantellare né manomettere la cartuccia della batteria. In caso contrario, si potrebbe causare un incendio, calore eccessivo o un'esplosione.
3. Qualora il tempo di utilizzo si riduca eccessivamente, interrompere immediatamente l'utilizzo dell'utensile. In caso contrario, si può incorrere nel rischio di surriscaldamento, possibili ustioni e persino un'esplosione.
4. Qualora l'elettrolita entri in contatto con gli occhi, sciacquarli con acqua pulita e richiedere immediatamente assistenza medica. Questa eventualità può risultare nella perdita della vista.
5. Non cortocircuitare la cartuccia della batteria:
  - (1) Non toccare i terminali con alcun materiale conduttivo.
  - (2) Evitare di conservare la cartuccia della batteria in un contenitore insieme ad altri oggetti metallici quali chiodi, monete, e così via.
  - (3) Non esporre la cartuccia della batteria all'acqua o alla pioggia.Un cortocircuito della batteria può causare un grande flusso di corrente, un surriscaldamento, possibili ustioni e persino un guasto.
6. Non conservare e utilizzare l'utensile e la cartuccia della batteria in ubicazioni in cui la temperatura possa raggiungere o superare i 50°C.
7. Non incenerire la cartuccia della batteria anche qualora sia gravemente danneggiata o completamente esaurita. La cartuccia della batteria può esplodere se a contatto con il fuoco.

8. **Non inchiodare, tagliare, schiacciare, lanciare o far cadere la cartuccia della batteria, né farla urtare con forza contro un oggetto duro.** Questi comportamenti potrebbero risultare in un incendio, calore eccessivo o un'esplosione.
9. **Non utilizzare una batteria danneggiata.**
10. **Le batterie a ioni di litio contenute sono soggette ai requisiti del regolamento sul trasporto di merci pericolose (Dangerous Goods Legislation).** Per trasporti commerciali, ad esempio da parte di terzi o spedizionieri, è necessario osservare dei requisiti speciali sull'imballaggio e sull'etichetta. Per la preparazione dell'articolo da spedire, è richiesta la consulenza di un esperto in materiali pericolosi. Attenersi anche alle normative nazionali, che potrebbero essere più dettagliate. Nastrare o coprire i contatti aperti e imballare la batteria in modo tale che non si possa muovere liberamente all'interno dell'imballaggio.
11. **Quando si intende smaltire la cartuccia della batteria, rimuoverla dall'utensile e smaltirla in un luogo sicuro. Attenersi alle normative locali relative allo smaltimento della batteria.**
12. **Utilizzare le batterie esclusivamente con i prodotti specificati da Makita.** L'installazione delle batterie in prodotti non compatibili potrebbe risultare in incendi, calore eccessivo, esplosioni o perdite di liquido elettrolitico.
13. **Se l'utensile non viene utilizzato per un periodo di tempo prolungato, la batteria deve essere rimossa dall'utensile.**
14. **Durante e dopo l'uso, la cartuccia della batteria potrebbe assorbire calore, che può causare ustioni o ustioni a bassa temperatura. Fare attenzione a come si maneggiano le cartucce delle batterie estremamente calde.**
15. **Non toccare i terminali dell'utensile subito dopo l'uso, in quanto potrebbero diventare estremamente caldi al punto da causare ustioni.**
16. **Evitare di far incastrare schegge, polveri o terreno nei terminali, nei fori e nelle scanalature della cartuccia della batteria.** In caso contrario, l'utensile o la cartuccia della batteria potrebbero riscaldarsi, prendere fuoco, scoppiare o guastarsi, causando ustioni o lesioni personali.
17. **A meno che l'utensile supporti l'uso in prossimità di linee elettriche ad alta tensione, non utilizzare la cartuccia della batteria in prossimità di linee elettriche ad alta tensione.** In caso contrario, si potrebbe causare un malfunzionamento o la rottura dell'utensile o della cartuccia della batteria.
18. **Tenere la batteria lontana dai bambini.**

## CONSERVARE LE PRESENTI ISTRUZIONI.

**ATTENZIONE:** Utilizzare solo batterie originali Makita. L'utilizzo di batterie Makita non originali, o di batterie che siano state alterate, potrebbe risultare nello scoppio della batteria, causando incendi, lesioni personali e danni. Inoltre, ciò potrebbe invalidare la garanzia Makita per l'utensile e il caricabatterie Makita.

## Suggerimenti per preservare la durata massima della batteria

1. **Caricare la cartuccia della batteria prima che si scarichi completamente. Smettere sempre di utilizzare l'utensile e caricare la cartuccia della batteria quando si nota che la potenza dell'utensile è diminuita.**
2. **Non ricaricare mai una cartuccia della batteria completamente carica. La sovraccarica riduce la vita utile della batteria.**
3. **Caricare la cartuccia della batteria a una temperatura ambiente compresa tra 10 °C e 40 °C. Lasciar raffreddare una cartuccia della batteria prima di caricarla.**
4. **Quando non si utilizza la cartuccia della batteria, rimuoverla dall'utensile o dal caricabatterie.**
5. **Caricare la cartuccia della batteria se non la si è utilizzata per un periodo di tempo prolungato (più di sei mesi).**

## DESCRIZIONE DELLE FUNZIONI

**ATTENZIONE:** Accertarsi sempre che l'utensile sia spento e che la cartuccia della batteria sia stata rimossa prima di regolare o di controllare il funzionamento dell'utensile.

## Installazione o rimozione della cartuccia della batteria

**ATTENZIONE:** Spegnerne sempre l'utensile prima di installare o rimuovere la cartuccia della batteria.

**ATTENZIONE:** Mantenere saldamente lo strumento e la batteria quando si intende installare o rimuovere la cartuccia della batteria. Qualora non si mantengano saldamente lo strumento e la cartuccia della batteria, questi ultimi potrebbero scivolare dalle mani, con la possibilità di causare un danneggiamento dello strumento e della cartuccia della batteria, nonché una lesione personale.

► Fig. 1: 1. Indicatore rosso 2. Pulsante 3. Cartuccia della batteria

Per rimuovere la cartuccia della batteria, farla scorrere via dall'utensile mentre si fa scorrere allo stesso tempo il pulsante sulla parte anteriore della cartuccia.

Per installare la cartuccia della batteria, allineare la linguetta sulla cartuccia della batteria con la scanalatura nell'alloggiamento e farla scivolare in sede. Inserirla completamente fino al suo blocco in sede con un leggero scatto. Se è possibile vedere l'indicatore rosso, come indicato nella figura, non è bloccata completamente.

**⚠ATTENZIONE:** Installare sempre fino in fondo la cartuccia della batteria, fino a quando l'indicatore rosso non è più visibile. In caso contrario, la batteria potrebbe cadere accidentalmente dall'utensile, causando lesioni personali all'operatore o a chi gli è vicino.

**⚠ATTENZIONE:** Non installare forzatamente la cartuccia della batteria. Qualora la batteria non si inserisca scorrendo agevolmente, vuol dire che non viene inserita correttamente.

## Indicazione della carica residua della batteria

Solo per cartucce delle batterie dotate di indicatore

► Fig.2: 1. Indicatori luminosi 2. Pulsante di controllo

Premere il pulsante di controllo sulla cartuccia della batteria per indicare la carica residua della batteria. Gli indicatori luminosi si illuminano per alcuni secondi.

Indicatori luminosi			Carica residua
■ Illuminato	□ Spento	▬ Lampeggiante	
■ ■ ■ ■			Dal 75% al 100%
■ ■ ■ □			Dal 50% al 75%
■ ■ □ □			Dal 25% al 50%
■ □ □ □			Dallo 0% al 25%
▬ □ □ □			Caricare la batteria.
■ ■ □ □			La batteria potrebbe essersi guastata.
□ □ ■ ■			

**NOTA:** A seconda delle condizioni d'uso e della temperatura ambiente, l'indicazione potrebbe variare leggermente rispetto alla carica effettiva.

**NOTA:** Il primo indicatore luminoso (all'estremità sinistra) lampeggia quando il sistema di protezione della batteria è in funzione.

## Sistema di protezione strumento/batteria

L'utensile è dotato di un sistema di protezione dell'utensile stesso e della batteria. Tale sistema interrompe automaticamente l'alimentazione al motore per prolungare la vita utile dell'utensile e della batteria. L'utensile si arresta automaticamente durante il funzionamento, qualora l'utensile o la batteria vengano a trovarsi in una delle condizioni seguenti:

## Protezione dal sovraccarico

Quando l'utensile o la batteria vengono fatti funzionare in un modo che causi un assorbimento di corrente elevato in modo anomalo, l'utensile si arresta automaticamente senza alcuna indicazione. In questa circostanza, spegnere l'utensile e interrompere l'applicazione che ha causato il sovraccarico dell'utensile. Quindi, accendere l'utensile per ricominciare.

## Protezione dal surriscaldamento

Quando l'utensile o la batteria sono surriscaldati, l'utensile si arresta automaticamente. In questo caso, lasciar raffreddare l'utensile e la batteria prima di riaccendere l'utensile.

## Protezione dalla sovrascarica

Quando la carica della batteria non è sufficiente, l'utensile si arresta automaticamente. In tal caso, rimuovere la batteria dall'utensile e caricarla.

## Funzionamento dell'interruttore

**⚠ATTENZIONE:** Prima di inserire la cartuccia della batteria nell'utensile, controllare sempre che l'interruttore a grilletto funzioni correttamente e torni sulla posizione "OFF" quando viene rilasciato.

**⚠ATTENZIONE:** L'interruttore può essere bloccato sulla posizione "ON" per comodità dell'operatore durante l'uso prolungato. Fare attenzione quando si blocca l'utensile sulla posizione "ON", e mantenere una presa salda sull'utensile.

**⚠ATTENZIONE:** Non installare la cartuccia della batteria con il pulsante di blocco attivato.

**⚠ATTENZIONE:** Quando non si intende utilizzare l'utensile, far rientrare il pulsante di blocco del grilletto premendolo dal lato A (A) per bloccare l'interruttore a grilletto sulla posizione di spegnimento.

► Fig.3: 1. Pulsante di blocco del grilletto

► Fig.4: 1. Interruttore a grilletto 2. Pulsante di blocco 3. Pulsante di blocco del grilletto

Per evitare che l'interruttore a grilletto venga premuto accidentalmente, è fornito un pulsante di blocco del grilletto. Per avviare l'utensile, far rientrare il pulsante di blocco del grilletto premendolo dal lato A (A), quindi premere l'interruttore a grilletto. La velocità dell'utensile viene aumentata incrementando la pressione sull'interruttore a grilletto. Per arrestare l'utensile, rilasciare l'interruttore a grilletto. Dopo l'uso, far rientrare il pulsante di blocco del grilletto premendolo dal lato B (B).

Per il funzionamento continuo, far rientrare il pulsante di blocco mentre si tiene premuto l'interruttore a grilletto, quindi rilasciare l'interruttore a grilletto. Per arrestare l'utensile, premere a fondo l'interruttore a grilletto, quindi rilasciarlo.

## Selettore di regolazione della velocità

► **Fig.5:** 1. Selettore di regolazione della velocità

È possibile modificare la velocità di rotazione ruotando il selettore di regolazione della velocità su un'impostazione numerica specifica da 1 a 5. Si ottiene una maggiore velocità ruotando il selettore in direzione del numero 5. Si ottiene, invece, una minore velocità ruotando il selettore in direzione del numero 1.

Per il rapporto tra le impostazioni numeriche sul selettore e la velocità di rotazione approssimativa, fare riferimento alla tabella.

### Modalità normale

Numero	Orbite (giri) al minuto	Velocità di rotazione al minuto del tampone in modalità orbitale casuale con rotazione forzata
1	1.600	180
2	2.500	290
3	4.000	460
4	5.600	650
5	6.800	780

### Modalità di finitura

Numero	Orbite (giri) al minuto	Velocità di rotazione al minuto del tampone in modalità orbitale casuale con rotazione forzata
1	1.600	180
2	2.200	250
3	3.300	380
4	4.400	500
5	5.200	600

**AVVISO:** Qualora l'utensile venga fatto funzionare in maniera continuativa a basse velocità per un periodo di tempo prolungato, il motore si sovraccarica, causando il malfunzionamento dell'utensile.

**AVVISO:** È possibile ruotare il selettore di regolazione della velocità solo fino a 5 e indietro fino a 1. Non forzare il selettore oltre il numero 5 o il numero 1; in caso contrario, la funzione di regolazione della velocità potrebbe non essere più utilizzabile.

## Selezione della modalità operativa

Ruotare la manopola di variazione per cambiare la modalità di rotazione.

► **Fig.6:** 1. Manopola di variazione

**AVVISO:** Ruotare sempre completamente la manopola. Qualora la manopola si trovi in posizione centrale, non è possibile avviare l'utensile.

**AVVISO:** Non è possibile modificare la modalità operativa quando l'utensile è acceso.

## Modalità orbitale casuale con rotazione forzata

► **Fig.7:** 1. Manopola di variazione

La modalità orbitale casuale con rotazione forzata consiste nel funzionamento orbitale con rotazione forzata del tampone per la lucidatura grossolana, ad esempio il trattamento delle superfici.

Ruotare la manopola di variazione in senso antiorario per la modalità orbitale casuale con rotazione forzata.

## Modalità orbitale casuale

► **Fig.8:** 1. Manopola di variazione

La modalità orbitale casuale consiste nel funzionamento orbitale con rotazione libera del tampone, per la lucidatura fine.

Ruotare la manopola di variazione in senso orario per la modalità orbitale casuale.

## Modalità di finitura

In modalità di finitura, è possibile far funzionare l'utensile senza applicare un carico eccessivo. Questa modalità è idonea per operazioni di finitura.

Per utilizzare l'utensile in modalità di finitura, premere l'interruttore a grilletto e rilasciarlo per accendere l'utensile, quindi premere il pulsante di commutazione della modalità. L'indicatore luminoso si illumina in verde.

Per tornare alla modalità normale, premere il pulsante di commutazione della modalità mentre l'utensile è acceso.

► **Fig.9:** 1. Indicatore luminoso 2. Pulsante di commutazione della modalità

**NOTA:** Non è possibile cambiare modalità quando l'utensile è in funzione.

## Funzione di prevenzione del riavvio accidentale

Se si installa la cartuccia della batteria mentre si tiene premuto o bloccato l'interruttore a grilletto, l'utensile non si avvia. Per avviare l'utensile, rilasciare l'interruttore a grilletto, quindi premere l'interruttore a grilletto.

## Funzione elettronica

Gli utensili dotati di funzione elettronica sono di semplice utilizzo, grazie alle funzionalità seguenti.

## Controllo costante della velocità

Possibilità di ottenere una finitura precisa, poiché la velocità di rotazione viene mantenuta costante anche in condizione di carico.

## Funzione di avvio morbido

Avvio morbido, grazie alla soppressione dell'impatto di avvio.

## MONTAGGIO

**⚠ATTENZIONE:** Accertarsi sempre che l'utensile sia spento e che la cartuccia della batteria sia stata rimossa, prima di effettuare qualsiasi intervento sull'utensile.

### Installazione del platorello di sostegno

► **Fig.10:** 1. Brugola 2. Bullone 3. Platorello di sostegno

Collocare il platorello di sostegno sull'albero, quindi ruotare il bullone in senso orario con una brugola.

**⚠ATTENZIONE:** Accertarsi che il platorello di sostegno sia fissato saldamente. Un montaggio allentato causa il funzionamento sbilanciato e una vibrazione eccessiva, che potrebbero a loro volta causare la perdita di controllo.

### Installazione dell'impugnatura laterale

*Accessorio opzionale*

**⚠ATTENZIONE:** Serrare saldamente i tappi o l'impugnatura laterale. In caso contrario, la copertura anteriore potrebbe cadere e causare lesioni personali.

► **Fig.11:** 1. Tappo 2. Impugnatura laterale

Rimuovere il tappo e avvitare saldamente l'impugnatura laterale sull'utensile.

È possibile installare l'impugnatura laterale da entrambi i lati dell'utensile.

### Installazione o rimozione del tampone

*Accessorio opzionale*

**⚠ATTENZIONE:** Utilizzare esclusivamente tamponi con sistema di adesione a contatto per la lucidatura.

► **Fig.12:** 1. Tampone

Per installare il tampone, rimuovere innanzitutto qualsiasi traccia di sporco e corpi estranei dal sistema con adesione a contatto del tampone e dal platorello di sostegno. Fissare il tampone sul platorello di sostegno, in modo che i loro bordi siano allineati.

Per rimuovere il tampone dal platorello di sostegno, tirarlo semplicemente verso l'alto dal suo bordo.

**⚠ATTENZIONE:** Accertarsi che il tampone e il platorello di sostegno siano allineati e fissati saldamente. In caso contrario, il tampone causa una vibrazione eccessiva che a sua volta potrebbe causare la perdita di controllo, oppure il tampone potrebbe venire scagliato via dall'utensile.

## FUNZIONAMENTO

**⚠ATTENZIONE:** Utilizzare esclusivamente tamponi originali Makita per la lucidatura (accessori opzionali).

**⚠ATTENZIONE:** Accertarsi che il materiale in lavorazione sia fissato saldamente e sia stabile. La caduta di oggetti potrebbe causare lesioni personali.

**⚠ATTENZIONE:** Mantenere saldamente l'utensile con una mano sulla maniglia con l'interruttore e l'altra mano sull'impugnatura anteriore (o sulla maniglia laterale) quando si utilizza l'utensile.

**⚠ATTENZIONE:** Non far funzionare l'utensile con un carico elevato per un periodo di tempo prolungato. In caso contrario, si potrebbe causare un malfunzionamento dell'utensile, che potrebbe risultare in scosse elettriche, incendi e/o gravi lesioni personali.

**⚠ATTENZIONE:** Fare attenzione a non toccare la parte in rotazione.

**⚠ATTENZIONE:** Prima di utilizzare l'utensile, accertarsi che l'impugnatura laterale o i tappi non siano allentati. Qualora l'impugnatura laterale o i tappi siano allentati, la copertura anteriore potrebbe cadere e causare lesioni personali.

**AVVISO:** Non forzare mai l'utensile. Una pressione eccessiva potrebbe causare una minore efficienza di lucidatura, danneggiare il tampone o ridurre la vita utile dell'utensile.

**AVVISO:** Il funzionamento continuo ad alta velocità potrebbe danneggiare la superficie in lavorazione.

### Operazione di lucidatura

► **Fig.13**

1. Trattamento delle superfici (modalità orbitale casuale con rotazione forzata)

Utilizzare un tampone in lana per la lucidatura grossolana, quindi utilizzare un tampone in spugna per la lucidatura fine.

2. Applicazione della cera (modalità orbitale casuale)

Utilizzare un tampone in spugna. Stendere la cera sul tampone in spugna o sulla superficie in lavorazione. Far funzionare l'utensile a bassa velocità per distribuire uniformemente la cera.

**⚠ATTENZIONE:** Non applicare cera o sostanze di lucidatura in quantità eccessiva. In caso contrario si genera una maggior quantità di polveri, e si potrebbero causare malattie oculari o respiratorie.

**NOTA:** Innanzitutto, applicare la cera come prova su una parte poco visibile della superficie in lavorazione. Accertarsi prima che l'utensile non graffi la superficie e non applichi la cera in modo disomogeneo.

3. Rimozione della cera (modalità orbitale casuale)

Utilizzare un altro tampone in spugna. Far funzionare l'utensile per rimuovere la cera.

4. Lucidatura (modalità orbitale casuale)

Applicare delicatamente un tampone in feltro sulla superficie in lavorazione.

# MANUTENZIONE

**⚠ATTENZIONE:** Accertarsi sempre che l'utensile sia spento e che la cartuccia della batteria sia stata rimossa prima di tentare di eseguire interventi di ispezione o manutenzione.

**AVVISO:** Non utilizzare mai benzina, benzene, solventi, alcol o altre sostanze simili. In caso contrario, si potrebbero causare scolorimenti, deformazioni o crepe.

Per preservare la SICUREZZA e l'AFFIDABILITÀ del prodotto, le riparazioni e qualsiasi altro intervento di manutenzione e di regolazione devono essere eseguiti da un centro di assistenza autorizzato Makita, utilizzando sempre ricambi Makita.

## Pulizia delle protezioni antipolvere

► **Fig.14:** 1. Protezione antipolvere

Pulire a intervalli regolari le protezioni antipolvere sulle aperture di aspirazione, per consentire una circolazione omogenea dell'aria. Rimuovere le protezioni antipolvere e pulire la griglia.

## ACCESSORI OPZIONALI

**⚠ATTENZIONE:** Questi accessori o componenti aggiuntivi sono consigliati per l'uso con l'utensile Makita specificato nel presente manuale. L'impiego di altri accessori o componenti aggiuntivi può costituire un rischio di lesioni alle persone. Utilizzare gli accessori o i componenti aggiuntivi solo per il loro scopo prefissato.

Per ottenere ulteriori dettagli relativamente a questi accessori, rivolgersi a un centro di assistenza Makita.

- Impugnatura laterale
- Platorello di sostegno
- Tampone in lana
- Tampone in spugna
- Tampone in feltro
- Batteria e caricabatterie originali Makita

**NOTA:** Alcuni articoli nell'elenco potrebbero essere inclusi nell'imballaggio dell'utensile come accessori standard. Tali articoli potrebbero variare da nazione a nazione.

## TECHNISCHE GEGEVENS

Model:		DPO500	DPO600
Diameter rugschijf		123 mm	148 mm
Omwentelingen per minuut	Normale functie	0 - 6.800 min <sup>-1</sup>	
	Afwerkfunctie	0 - 5.200 min <sup>-1</sup>	
Totale lengte		530 mm	
Nominale spanning		18 V gelijkspanning	
Nettogewicht		3,1 - 3,6 kg	

- In verband met ononderbroken research en ontwikkeling, behouden wij ons het recht voor de bovenstaande technische gegevens zonder voorafgaande kennisgeving te wijzigen.
- De technische gegevens van de accu kunnen van land tot land verschillen.
- Het gewicht kan verschillen afhankelijk van de hulpstukken, waaronder de accu. De lichtste en zwaarste combinatie, overeenkomstig de EPTA-procedure 01/2014, worden getoond in de tabel.

### Toepasselijke accu's en laders

Accu	BL1815N / BL1820B / BL1830B / BL1840B / BL1850B / BL1860B
Lader	DC18RC / DC18RD / DC18RE / DC18SD / DC18SE / DC18SF / DC18SH / DC18WC

- Sommige van de hierboven vermelde accu's en laders zijn mogelijk niet leverbaar afhankelijk van waar u woont.

**⚠️ WAARSCHUWING:** Gebruik uitsluitend de accu's en laders die hierboven worden genoemd. Gebruik van enige andere accu of lader kan leiden tot letsel en/of brand.

### Gebruiksdoeleinden

Het gereedschap is bedoeld voor polijsten.

### Geluidsniveau

De typische, A-gewogen geluidsniveaus zijn gemeten volgens EN62841-2-4:

#### Model DPO500

Geluidsdrukniveau ( $L_{pA}$ ): 85 dB (A)

Geluidsvermogeniveau ( $L_{WA}$ ): 93 dB (A)

Onzekerheid (K): 3 dB (A)

#### Model DPO600

Geluidsdrukniveau ( $L_{pA}$ ): 86 dB (A)

Geluidsvermogeniveau ( $L_{WA}$ ): 94 dB (A)

Onzekerheid (K): 3 dB (A)

**OPMERKING:** De opgegeven geluidsemisiewaarde(n) is/zijn gemeten volgens een standaardtestmethode en kan/kunnen worden gebruikt om dit gereedschap te vergelijken met andere gereedschappen.

**OPMERKING:** De opgegeven geluidsemisiewaarde(n) kan/kunnen ook worden gebruikt voor een beoordeling vooraf van de blootstelling.

**⚠️ WAARSCHUWING:** Draag gehoorbescherming.

**⚠️ WAARSCHUWING:** De geluidsemisie tijdens het gebruik van het elektrisch gereedschap in de praktijk kan verschillen van de opgegeven waarde(n) afhankelijk van de manier waarop het gereedschap wordt gebruikt, met name van het soort werkstuk waarmee wordt gewerkt.

**⚠️ WAARSCHUWING:** Zorg ervoor dat veiligheidsmaatregelen worden getroffen ter bescherming van de gebruiker die zijn gebaseerd op een schatting van de blootstelling onder praktijkomstandigheden (rekening houdend met alle fasen van de bedrijfscyclus, zoals de tijdsduur gedurende welke het gereedschap is uitgeschakeld en stationair draait, naast de ingeschakelde tijdsduur).

### Trilling

De totale trillingswaarde (triaxiale vectorsom) zoals vastgesteld volgens EN62841-2-4:

#### Model DPO500

Gebruikstoepassing: polijsten

Trillingsemisie ( $a_{h,p}$ ): 9,5 m/s<sup>2</sup>

Onzekerheid (K): 1,5 m/s<sup>2</sup>

#### Model DPO600

Gebruikstoepassing: polijsten

Trillingsemisie ( $a_{h,p}$ ): 10,0 m/s<sup>2</sup>

Onzekerheid (K): 1,5 m/s<sup>2</sup>



**OPMERKING:** De totale trillingswaarde(n) is/zijn gemeten volgens een standaardtestmethode en kan/kunnen worden gebruikt om dit gereedschap te vergelijken met andere gereedschappen.

**OPMERKING:** De opgegeven totale trillingswaarde(n) kan/kunnen ook worden gebruikt voor een beoordeling vooraf van de blootstelling.

**⚠️WAARSCHUWING:** De trillingsemissie tijdens het gebruik van het elektrisch gereedschap in de praktijk kan verschillen van de opgegeven waarde(n) afhankelijk van de manier waarop het gereedschap wordt gebruikt, met name van het soort werkstuk waarmee wordt gewerkt.

**⚠️WAARSCHUWING:** Zorg ervoor dat veiligheidsmaatregelen worden getroffen ter bescherming van de gebruiker die zijn gebaseerd op een schatting van de blootstelling onder praktijkomstandigheden (rekening houdend met alle fasen van de bedrijfscyclus, zoals de tijdsduur gedurende welke het gereedschap is uitgeschakeld en stationair draait, naast de ingeschakelde tijdsduur).

## Verklaringen van conformiteit

### *Alleen voor Europese landen*

De verklaringen van conformiteit zijn bijgevoegd in Bijlage A bij deze gebruiksaanwijzing.

# VEILIGHEIDSWAARSCHUWINGEN

## Algemene veiligheidswaarschuwingen voor elektrisch gereedschap

**⚠️WAARSCHUWING** Lees alle veiligheidswaarschuwingen, instructies, afbeeldingen en technische gegevens die bij dit elektrisch gereedschap worden geleverd. Als niet alle onderstaande instructies worden opgevolgd, kan dat leiden tot een elektrische schok, brand en/of ernstig letsel.

## Bewaar alle waarschuwingen en instructies om in de toekomst te kunnen raadplegen.

De term "elektrisch gereedschap" in de veiligheidsvoorschriften duidt op gereedschappen die op stroom van het lichtnet werken (met snoer) of gereedschappen met een accu (snoerloos).

## Veiligheidswaarschuwingen voor een excenter-accupolijstmachine

1. Laat het gereedschap niet ingeschakeld achter. Schakel het gereedschap alleen in wanneer u het vasthoudt.
2. Controleer dat het werkstuk goed wordt ondersteund.
3. Gebruik het gereedschap niet op materiaal dat asbest bevat.
4. Raak de bout op de rugschijf niet aan onmiddellijk na het gebruik. Deze kan bijzonder heet zijn en brandwonden op uw huid veroorzaken.
5. Verzeker u ervan dat er geen barsten of breuken in de rugschijf zitten voordat u gaat werken. Als u het gereedschap hebt laten vallen, controleert u of er geen barsten of breuken zijn en laat u het gereedschap ongeveer 1 minuut op maximaal, onbelast toerental draaien om u ervan te verzekeren dat er geen abnormaliteiten zijn met het gereedschap. Barsten of breuken kunnen leiden tot lichamelijk letsel.

## BEWAAR DEZE INSTRUCTIES.

**⚠️WAARSCHUWING:** Laat u NIET misleiden door een vals gevoel van comfort en bekendheid met het gereedschap (na veelvuldig gebruik) en neem alle veiligheidsvoorschriften van het betreffende gereedschap altijd strikt in acht. **VERKEERD GEBRUIK** of het niet naleven van de veiligheidsvoorschriften in deze gebruiksaanwijzing kan leiden tot ernstig persoonlijk letsel.

## Belangrijke veiligheidsinstructies voor een accu

1. Lees alle voorschriften en waarschuwingen op (1) de acculader, (2) de accu, en (3) het product waarvoor de accu wordt gebruikt, alvorens de accu in gebruik te nemen.
2. Haal de accu niet uit elkaar en saboteer hem niet. Dit kan leiden tot brand, buitensporige hitte of een explosie.
3. Als de gebruikstijd van een opgeladen accu aanzienlijk korter is geworden, moet u het gebruik ervan onmiddellijk stopzetten. Voortgezet gebruik kan oververhitting, brandwonden en zelfs een ontploffing veroorzaken.
4. Als elektrolyt in uw ogen is terechtgekomen, spoelt u uw ogen met schoon water en roept u onmiddellijk de hulp van een dokter in. Elektrolyt in de ogen kan blindheid veroorzaken.
5. Voorkom kortsluiting van de accu:
  - (1) Raak de accuklemmen nooit aan met een geleidend materiaal.
  - (2) Bewaar de accu niet in een bak waarin andere metalen voorwerpen zoals spijkers, munten e.d. worden bewaard.
  - (3) Stel de accu niet bloot aan water of regen. Kortsluiting van de accu kan oorzaak zijn van een grote stroomafgifte, oververhitting, brandwonden, en zelfs defecten.

6. **Bewaar en gebruik het gereedschap en de accu niet op plaatsen waar de temperatuur kan oplopen tot 50 °C of hoger.**
7. **Werp de accu nooit in het vuur, ook niet wanneer hij zwaar beschadigd of volledig versleten is. De accu kan ontploffen in het vuur.**
8. **Laat de accu niet vallen, sla er geen spijker in, snijd er niet in, gooi er niet mee en stoot hem niet tegen een hard voorwerp.** Dergelijke handelingen kunnen leiden tot brand, buitensporige hitte of een explosie.
9. **Gebruik nooit een beschadigde accu.**
10. **De bijgeleverde lithium-ionbatterijen zijn onderhevig aan de vereisten in de wetgeving omtrent gevaarlijke stoffen.**  
Voor commercieel transport en dergelijke door derden en transporteurs moeten speciale vereisten ten aanzien van verpakking en etikettering worden nageleefd.  
Als voorbereiding van het artikel dat wordt getransporteerd is het noodzakelijk een expert op het gebied van gevaarlijke stoffen te raadplegen. Houd u tevens aan mogelijk strengere nationale regelgeving.  
Blootliggende contactpunten moeten worden afgedekt met tape en de accu moet zodanig worden verpakt dat deze niet kan bewegen in de verpakking.
11. **Wanneer u de accu wilt weggooiden, verwijdert u de accu vanaf het gereedschap en gooit u hem op een veilige manier weg. Volg bij het weggooiden van de accu de plaatselijke voorschriften.**
12. **Gebruik de accu's uitsluitend met de gereedschappen die door Makita zijn aanbevolen.** Als de accu's worden aangebracht in niet-compatibele gereedschappen, kan dat leiden tot brand, buitensporige warmteontwikkeling, een explosie of lekkage van elektrolyt.
13. **Als u het gereedschap gedurende een lange tijd niet denkt te gaan gebruiken, moet de accu vanaf het gereedschap worden verwijderd.**
14. **Tijdens en na gebruik, kan de accu heet worden waardoor brandwonden of koude brandwonden kunnen worden veroorzaakt. Wees voorzichtig bij het hanteren van een hete accu.**
15. **Raak de aansluitpunten van het gereedschap niet onmiddellijk na gebruik aan omdat deze heet genoeg kunnen zijn om brandwonden te veroorzaken.**
16. **Zorg ervoor dat geen steenslag, stof of grond vast komt te zitten op/in de aansluitpunten, openingen en groeven van de accu.** Hierdoor kan oververhitting, brand, een barst en een storing in het gereedschap of de accu ontstaan waardoor brandwonden of persoonlijk letsel kunnen ontstaan.
17. **Behalve indien gebruik van het gereedschap is toegestaan in de buurt van hoogspanningsleidingen, mag u de accu niet gebruiken in de buurt van een hoogspanningsleiding.** Dit kan leiden tot een storing of een defect van het gereedschap of de accu.
18. **Houd de accu uit de buurt van kinderen.**

## BEWAAR DEZE INSTRUCTIES.

**⚠️ LET OP:** Gebruik uitsluitend originele Makita accu's. Het gebruik van niet-originele accu's, of accu's die zijn gewijzigd, kan ertoe leiden dat de accu ontploft en brand, persoonlijk letsel en schade veroorzaakt. Ook vervalt daarmee de garantie van Makita op het gereedschap en de lader van Makita.

## Tips voor een maximale levensduur van de accu

1. **Laad de accu op voordat hij volledig ontladen is. Stop het gebruik van het gereedschap en laad de accu op telkens wanneer u vaststelt dat het vermogen van het gereedschap is afgenomen.**
2. **Laad een volledig opgeladen accu nooit opnieuw op. Te lang opladen verkort de levensduur van de accu.**
3. **Laad de accu op bij een omgevingstemperatuur tussen 10 °C en 40 °C. Laat een warme accu afkoelen alvorens hem op te laden.**
4. **Als de accu niet wordt gebruikt, verwijderd u hem vanaf het gereedschap of de lader.**
5. **Laad de accu op als u deze gedurende een lange tijd (meer dan zes maanden) niet gaat gebruiken.**

## BESCHRIJVING VAN DE FUNCTIES

**⚠️ LET OP:** Zorg altijd dat het gereedschap is uitgeschakeld en de accu ervan is verwijderd alvorens de functies op het gereedschap af te stellen of te controleren.

### De accu aanbrengen en verwijderen

**⚠️ LET OP:** Schakel het gereedschap altijd uit voordat u de accu aanbrengt of verwijdert.

**⚠️ LET OP:** Houd het gereedschap en de accu stevig vast tijdens het aanbrengen of verwijderen van de accu. Als u het gereedschap en de accu niet stevig vasthoudt, kunnen deze uit uw handen glijpen en het gereedschap of de accu beschadigen, of kan persoonlijk letsel worden veroorzaakt.

► Fig.1: 1. Rood deel 2. Knop 3. Accu

Om de accu te verwijderen verschuift u de knop aan de voorkant van de accu en schuift u tegelijkertijd de accu uit het gereedschap.

Om de accu aan te brengen lijnt u de lip op de accu uit met de groef in de behuizing en duwt u de accu op zijn plaats. Steek de accu zo ver mogelijk in het gereedschap tot u een klikgeluid hoort. Wanneer het rode deel zichtbaar is, zoals aangegeven in de afbeelding, is de accu niet geheel vergrendeld.

**⚠ LET OP:** Breng de accu altijd helemaal aan totdat het rode deel niet meer zichtbaar is. Als u dit niet doet, kan de accu per ongeluk uit het gereedschap vallen en u of anderen in uw omgeving verwonden.

**⚠ LET OP:** Breng de accu niet met kracht aan. Als de accu niet gemakkelijk in het gereedschap kan worden geschoven, wordt deze niet goed aangebracht.

## De resterende acculading controleren

**Alleen voor accu's met indicatorlampjes**

► Fig.2: 1. Indicatorlampjes 2. Testknop

Druk op de testknop op de accu om de resterende acculading te zien. De indicatorlampjes branden gedurende enkele seconden.

Indicatorlampjes			Resterende acculading
Brandt	Uit	Knippert	
■	□	▧	75% tot 100%
■	■	■	50% tot 75%
■	■	□	25% tot 50%
■	□	□	0% tot 25%
▧	□	□	Laad de accu op.
■	■	□	Er kan een storing zijn opgetreden in de accu.
□	□	■	

**OPMERKING:** Afhankelijk van de gebruiksomstandigheden en de omgevingstemperatuur, is het mogelijk dat de aangegeven acculading verschilt van de werkelijke acculading.

**OPMERKING:** Het eerste (meest linker) indicatorlampje knippert wanneer het accubeveiligingssysteem in werking is getreden.

## Gereedschap-/accubeveiligingssysteem

Het gereedschap is voorzien van een gereedschap-/accubeveiligingssysteem. Dit systeem schakelt automatisch de voeding naar de motor uit om de levensduur van het gereedschap en de accu te verlengen. Het gereedschap kan tijdens het gebruik automatisch stoppen als het gereedschap of de accu aan één van de volgende omstandigheden wordt blootgesteld:

## Overbelastingsbeveiliging

Wanneer het gereedschap of de accu wordt gebruikt op een wijze die ertoe leidt dat er een abnormaal sterke stroom wordt onttrokken, stopt het gereedschap automatisch zonder indicatie. Schakel in dit geval het gereedschap uit en stop de toepassing die ertoe geleid heeft dat het gereedschap overbelast is geraakt. Schakel vervolgens het gereedschap in om het opnieuw op te starten.

## Oververhittingsbeveiliging

Wanneer het gereedschap of de accu oververhit raakt, stopt het gereedschap automatisch. Laat in dit geval het gereedschap en de accu afkoelen voordat u het gereedschap weer inschakelt.

## Beveiliging tegen te ver ontladen

Als de acculading onvoldoende is, stopt het gereedschap automatisch. In dit het geval verwijdert u de accu vanaf het gereedschap en laadt u de accu op.

## De trekkerschakelaar gebruiken

**⚠ LET OP:** Alvorens de accu in het gereedschap te plaatsen, moet u altijd controleren of de trekkerschakelaar goed werkt en bij het loslaten terugkeert naar de stand "OFF".

**⚠ LET OP:** De schakelaar kan in de aan-stand vergrendeld worden, hetgeen bij langdurig gebruik comfortabeler werkt. Wees extra voorzichtig wanneer u de schakelaar in de aan-stand vergrendelt en houd het gereedschap altijd stevig vast.

**⚠ LET OP:** Breng de accu niet aan terwijl de vergrendelknop is ingedrukt.

**⚠ LET OP:** Wanneer u het gereedschap niet gebruikt, drukt u op de trekkervergrendelknop vanaf de A-kant om de trekkerschakelaar te vergrendelen in de uit-stand.

► Fig.3: 1. Trekkervergrendelknop

► Fig.4: 1. Trekkerschakelaar 2. Vergrendelknop 3. Trekkervergrendelknop

Om te voorkomen dat de trekkerschakelaar per ongeluk wordt bediend, is de trekkervergrendelknop aangebracht. Om het gereedschap te starten, drukt u vanaf de A-kant (A) op de trekkervergrendelknop en knijpt u de trekkerschakelaar in. Hoe harder u de trekkerschakelaar inknijpt, hoe hoger het toerental van het gereedschap. Laat de trekkerschakelaar los om het gereedschap te stoppen. Na gebruik drukt u op de trekkervergrendelknop vanaf de B-kant (B).

Om het gereedschap continu te laten werken, knijpt u eerst de trekkerschakelaar in, drukt u daarna de vergrendelknop in, en laat u tenslotte de trekkerschakelaar los. Om het gereedschap te stoppen, knijpt u de trekkerschakelaar helemaal in en laat u deze vervolgens weer los.

## Toerentalinstelknop

► Fig.5: 1. Toerentalinstelknop

U kunt de draaisnelheid veranderen door de toerentalinstelknop te draaien en in te stellen op een cijfer van 1 tot 5. Het toerental wordt hoger wanneer u de knop in de richting van het cijfer 5 draait. Het toerental wordt lager wanneer u deze in de richting van het cijfer 1 draait.

Zie de onderstaande tabel voor de verhouding tussen de cijfers op de knop en het toerental bij benadering.

### Normale functie

Cijfer	Omwentelingen per minuut	Toerental per minuut van steunschijf in de functie excentrisch draaien met actieve aandrijving
1	1.600	180
2	2.500	290
3	4.000	460
4	5.600	650
5	6.800	780

### Afwerkfunctie

Cijfer	Omwentelingen per minuut	Toerental per minuut van steunschijf in de functie excentrisch draaien met actieve aandrijving
1	1.600	180
2	2.200	250
3	3.300	380
4	4.400	500
5	5.200	600

**KENNISGEVING:** Als het gereedschap gedurende een lange tijd continu op een laag toerental wordt gebruikt, wordt de motor overbelast, waardoor het gereedschap defect raakt.

**KENNISGEVING:** De toerentalinstelknop kan slechts tot stand 5 worden gedraaid, en terug naar stand 1. Forceer hem niet tot voorbij stand 5 of stand 1 omdat dan de toerentalinstelfunctie mogelijk niet meer werkt.

## De werkingsfunctie kiezen

Draai de keuzeknop om de rotatiefunctie te veranderen.

► Fig.6: 1. Keuzeknop

**KENNISGEVING:** Draai de knop altijd helemaal tot in een stand. Als de knop tussen twee standen in staat, kunt u het gereedschap niet inschakelen.

**KENNISGEVING:** U kunt de werkingsfunctie niet veranderen terwijl het gereedschap is ingeschakeld.

## Functie excentrisch draaien met actieve aandrijving

► Fig.7: 1. Keuzeknop

De functie excentrisch draaien met actieve aandrijving zorgt voor ronddraaien met actieve aandrijving van de steunschijf voor grof polijsten, zoals oppervlaktbewerking. Draai de keuzeknop linksom voor de functie excentrisch draaien met actieve aandrijving.

## Functie excentrisch draaien

► Fig.8: 1. Keuzeknop

De functie excentrisch draaien zorgt voor ronddraaien met vrije aandrijving van de steunschijf voor fijn polijsten.

Draai de keuzeknop rechtsom voor de functie excentrisch draaien.

## Afwerkfunctie

In de afwerkfunctie kunt u het gereedschap bedienen zonder buitensporige kracht uit te oefenen. Deze functie is geschikt om af te werken.

Om het gereedschap in de afwerkfunctie te gebruiken, knijpt u de trekkerschakelaar in en laat u deze los om het gereedschap in te schakelen, en drukt u vervolgens op de functieschakelknop. Het lampje brandt groen. Om terug te keren naar de normale functie, drukt u op de functieschakelknop terwijl het gereedschap is ingeschakeld.

► Fig.9: 1. Lampje 2. Functieschakelknop

**OPMERKING:** U kunt de functie niet veranderen terwijl het gereedschap draait.

## Beveiliging tegen onopzettelijk herstarten

Als u de accu aanbrengt terwijl de trekkerschakelaar ingeknepen wordt gehouden of de trekkerschakelaar wordt vergrendeld, start het gereedschap niet. Om het gereedschap te kunnen starten, laat u eerst de trekker-schakelaar los en knijpt u vervolgens de trekkerschakelaar in.

## Elektronische functie

Gereedschappen die zijn voorzien van een elektronische werking zijn eenvoudig te bedienen vanwege de volgende functie.

## Constant-toerentalregeling

Maakt een gladde afwerking mogelijk omdat het toerental constant wordt gehouden, zelfs bij belasting.

## Zachte-startfunctie

Maakt een zachte start mogelijk door onderdrukking van de aanloopshok.

# MONTAGE

**⚠ LET OP:** Zorg altijd dat het gereedschap is uitgeschakeld en de accu ervan is verwijderd alvorens enig werk aan het gereedschap uit te voeren.

## De rugschijf aanbrengen

► Fig.10: 1. Inbussleutel 2. Bout 3. Rugschijf

Plaats de rugschijf op de as en draai de bout rechtsom met een inbussleutel.

**⚠ LET OP:** Zorg ervoor dat de rugschijf stevig wordt bevestigd. Een los hulpmiddel zal ongebalanceerd draaien en buitensporige trillingen veroorzaken, waardoor u de controle over het gereedschap kunt verliezen.

## De zijhandgreep monteren

*Optioneel accessoire*

**⚠ LET OP:** Draai de doppen of de zijhandgreep stevig vast. Anders kan de voorkap eraf vallen en letsel veroorzaken.

► Fig.11: 1. Dop 2. Zijhandgreep

Verwijder de dop en draai de zijhandgreep stevig op het gereedschap.

De zijhandgreep kan aan beide zijkanten van het gereedschap worden gemonteerd.

## De steunschijf aanbrengen of verwijderen

*Optioneel accessoire*

**⚠ LET OP:** Gebruik uitsluitend steunschijven met klittenbandbevestiging voor polijsten.

► Fig.12: 1. Steunschijf

Om de steunschijf aan te brengen, verwijdert u eerst al het vuil en vreemde stoffen vanaf het klittenband van de steunschijf en de rugschijf. Bevestig de steunschijf zodanig op de rugschijf dat hun randen zijn uitgelijnd. Om de steunschijf van de rugschijf af te halen, trekt u deze aan de rand omhoog.

**⚠ LET OP:** Zorg ervoor dat de steunschijf en de rugschijf zijn uitgelijnd en stevig zijn bevestigd. Anders zal de steunschijf buitensporig gaan trillen, waardoor u de controle over het gereedschap kunt verliezen of de steunschijf van het gereedschap af geworpen kan worden.

# BEDIENING

**⚠ LET OP:** Gebruik uitsluitend originele steunschijven van Makita voor polijsten (optionele accessoires).

**⚠ LET OP:** Zorg ervoor dat het werkstuk is vastgezet en stabiel is. Een vallend voorwerp kan persoonlijk letsel veroorzaken.

**⚠ LET OP:** Houd het gereedschap stevig vast met één hand aan de schakelaarhandgreep en de andere hand aan de voorhandgreep (of zijhandgreep) tijdens het gebruik van het gereedschap.

**⚠ LET OP:** Gebruik het gereedschap niet gedurende een lange tijd op hoge belasting. Dit kan leiden tot een storing waardoor brand, elektrische schokken en/of ernstig letsel kan ontstaan.

**⚠ LET OP:** Wees voorzichtig dat u het rond-draaiende deel niet aanraakt.

**⚠ LET OP:** Alvorens het gereedschap te bedienen, controleert u of de zijhandgreep of de doppen niet loszitten. Als de zijhandgreep of de doppen loszitten, kan de voorkap eraf vallen en letsel veroorzaken.

**KENNISGEVING:** Forceer nooit het gereedschap. Door buitensporige druk kan de efficiëntie van het polijsten lager worden, de steunschijf beschadigd raken, en de levensduur van het gereedschap verkort worden.

**KENNISGEVING:** Continu gebruik op hoog toerental kan het werkstukoppervlak beschadigen.

## Polijsten

► Fig.13

1. Oppervlaktbewerking (functie excentrisch draaien met actieve aandrijving)

Gebruik een wollen polijstschijf voor grove afwerking en daarna een schuimrubber polijstschijf voor fijne afwerking.

2. Was aanbrengen (functie excentrisch draaien)

Gebruik een schuimrubber polijstschijf. Breng was aan op de schuimrubber polijstschijf of op het werkstukoppervlak. Laat het gereedschap op een laag toerental draaien om de was te verspreiden.

**⚠ LET OP:** Breng niet buitensporig veel was of polijstmiddel aan. Hierdoor zal meer stof ontstaan waardoor oog- of luchtwegziekten kunnen worden veroorzaakt.

**OPMERKING:** Voer eerst een test uit door op een onopvallende plaats van het werkstuk was aan te brengen. Verzekert u er van tevoren van dat het gereedschap geen krassen maakt in het oppervlak en dat de was niet ongelijkmatig wordt uitgestreken.

3. Was verwijderen (functie excentrisch draaien)

Gebruik een andere schuimrubber polijstschijf. Laat het gereedschap draaien om de was te verwijderen.

4. Polijsten (functie excentrisch draaien)

Plaats de viltten polijstschijf voorzichtig op het werkstukoppervlak.

# ONDERHOUD

**⚠ LET OP:** Zorg altijd dat het gereedschap is uitgeschakeld en de accu ervan is verwijderd alvorens te beginnen met onderhoud of inspectie.

**KENNISGEVING:** Gebruik nooit benzine, wasbenzine, thinner, alcohol en dergelijke. Hierdoor kunnen verkleuring, vervormingen en barsten worden veroorzaakt.

Om de VEILIGHEID en BETROUWBAARHEID van het gereedschap te handhaven, dienen alle reparaties, onderhoud of afstellingen te worden uitgevoerd bij een erkend Makita-servicecentrum of de Makita-fabriek, en altijd met gebruik van Makita-vervangingsonderdelen.

## De stofkappen reinigen

► Fig.14: 1. Stofkap

Reinig de stofkappen van de luchtinlaatopeningen regelmatig voor een goede luchtcirculatie. Verwijder de stofkappen en reinig het gaas.

# OPTIONELE ACCESSOIRES

**⚠ LET OP:** Deze accessoires of hulpstukken worden aanbevolen voor gebruik met het Makita gereedschap dat in deze gebruiksaanwijzing is beschreven. Bij gebruik van andere accessoires of hulpstukken bestaat het gevaar van persoonlijke letsel. Gebruik de accessoires of hulpstukken uitsluitend voor hun bestemde doel.

Wenst u meer bijzonderheden over deze accessoires, neem dan contact op met het plaatselijke Makita-servicecentrum.

- Zijhandgreep
- Rugschijf
- Wollen polijstschijf
- Schuimrubber polijstschijf
- Viltten polijstschijf
- Originele Makita accu's en acculaders

**OPMERKING:** Sommige items op de lijst kunnen zijn inbegrepen in de doos van het gereedschap als standaard toebehoren. Deze kunnen van land tot land verschillen.

## ESPECIFICACIONES

Modelo:		DPO500	DPO600
Diámetro del plato de respaldo		123 mm	148 mm
Órbitas por minuto	Modo normal	0 - 6.800 min <sup>-1</sup>	
	Modo de acabado	0 - 5.200 min <sup>-1</sup>	
Longitud total		530 mm	
Tensión nominal		CC18 V	
Peso neto		3,1 - 3,6 kg	

- Debido a nuestro continuado programa de investigación y desarrollo, las especificaciones aquí dadas están sujetas a cambios sin previo aviso.
- Las especificaciones y el cartucho de batería pueden diferir de país a país.
- El peso puede variar dependiendo del accesorio(s), incluyendo el cartucho de batería. La combinación menos pesada y la más pesada, de acuerdo con el procedimiento EPTA 01/2014, se muestran en la tabla.

### Cartucho de batería y cargador aplicables

Cartucho de batería	BL1815N / BL1820B / BL1830B / BL1840B / BL1850B / BL1860B
Cargador	DC18RC / DC18RD / DC18RE / DC18SD / DC18SE / DC18SF / DC18SH / DC18WC

- Algunos de los cartuchos de batería y cargadores indicados arriba puede que no estén disponibles dependiendo de su región de residencia.

**⚠ ADVERTENCIA:** Utilice solamente los cartuchos de batería y cargadores listados arriba. La utilización de cualquier otro cartucho de batería y cargador puede ocasionar heridas y/o un incendio.

### Uso previsto

La herramienta ha sido prevista para pulir.

### Ruido

El nivel de ruido A-ponderado típico determinado de acuerdo con la norma EN62841-2-4:

#### Modelo DPO500

Nivel de presión sonora ( $L_{pA}$ ): 85 dB (A)  
 Nivel de potencia sonora ( $L_{WA}$ ): 93 dB (A)  
 Error (K): 3 dB (A)

#### Modelo DPO600

Nivel de presión sonora ( $L_{pA}$ ): 86 dB (A)  
 Nivel de potencia sonora ( $L_{WA}$ ): 94 dB (A)  
 Error (K): 3 dB (A)

**NOTA:** El valor (o los valores) de emisión de ruido declarado ha sido medido de acuerdo con un método de prueba estándar y se puede utilizar para comparar una herramienta con otra.

**NOTA:** El valor (o valores) de emisión de ruido declarado también se puede utilizar en una valoración preliminar de exposición.

**⚠ ADVERTENCIA:** Póngase protectores para oídos.

**⚠ ADVERTENCIA:** La emisión de ruido durante la utilización real de la herramienta eléctrica puede variar del valor (o los valores) de emisión declarado dependiendo de las formas en las que la herramienta sea utilizada, especialmente qué tipo de pieza de trabajo se procesa.

**⚠ ADVERTENCIA:** Asegúrese de identificar medidas de seguridad para proteger al operario que estén basadas en una estimación de la exposición en las condiciones reales de utilización (teniendo en cuenta todas las partes del ciclo operativo como las veces cuando la herramienta está apagada y cuando está funcionando en vacío además del tiempo de gatillo).

### Vibración

El valor total de la vibración (suma de vectores triaxiales) determinado de acuerdo con la norma EN62841-2-4:

#### Modelo DPO500

Modo de trabajo: pulido  
 Emisión de vibración ( $a_{h,p}$ ): 9,5 m/s<sup>2</sup>  
 Error (K): 1,5 m/s<sup>2</sup>

#### Modelo DPO600

Modo de trabajo: pulido  
 Emisión de vibración ( $a_{h,p}$ ): 10,0 m/s<sup>2</sup>  
 Error (K): 1,5 m/s<sup>2</sup>

**NOTA:** El valor (o los valores) total de emisión de vibración declarado ha sido medido de acuerdo con un método de prueba estándar y se puede utilizar para comparar una herramienta con otra.

**NOTA:** El valor (o los valores) total de emisión de vibración declarado también se puede utilizar en una valoración preliminar de exposición.

**⚠ADVERTENCIA:** La emisión de vibración durante la utilización real de la herramienta eléctrica puede variar del valor (o los valores) de emisión declarado dependiendo de las formas en las que la herramienta sea utilizada, especialmente qué tipo de pieza de trabajo se procesa.

**⚠ADVERTENCIA:** Asegúrese de identificar medidas de seguridad para proteger al operario que estén basadas en una estimación de la exposición en las condiciones reales de utilización (teniendo en cuenta todas las partes del ciclo operativo como las veces cuando la herramienta está apagada y cuando está funcionando en vacío además del tiempo de gatillo).

## Declaraciones de conformidad

### *Para países europeos solamente*

Las declaraciones de conformidad están incluidas como Anexo A de este manual de instrucciones.

# ADVERTENCIAS DE SEGURIDAD

## Advertencias de seguridad para herramientas eléctricas en general

**⚠ADVERTENCIA** Lea todas las advertencias de seguridad, instrucciones, ilustraciones y especificaciones provistas con esta herramienta eléctrica. Si no sigue todas las instrucciones indicadas abajo, podrá resultar en una descarga eléctrica, un incendio y/o heridas graves.

## Guarde todas las advertencias e instrucciones para futuras referencias.

El término "herramienta eléctrica" en las advertencias se refiere a su herramienta eléctrica de funcionamiento con conexión a la red eléctrica (con cable) o herramienta eléctrica de funcionamiento a batería (sin cable).

## Advertencias de seguridad para la pulidora inalámbrica de órbita excéntrica

1. No deje la herramienta en marcha. Tenga la herramienta encendida solamente cuando la tenga en las manos.
2. Compruebe que la pieza de trabajo está apoyada debidamente.
3. No utilice la herramienta con ningún material que contenga asbestos.
4. No toque el perno del plato de respaldo inmediatamente después de la operación. Podrá estar extremadamente caliente y podría quemarle la piel.
5. Asegúrese de que no hay grieta o rotura en el plato antes de la utilización. Si deja caer la herramienta, compruebe que no hay rotura y haga funcionar la herramienta durante aproximadamente 1 minuto a la velocidad máxima sin carga para comprobar que no hay ninguna anomalía en la herramienta. Las grietas y roturas pueden ocasionar heridas personales.

## GUARDE ESTAS INSTRUCCIONES.

**⚠ADVERTENCIA:** NO deje que la comodidad o familiaridad con el producto (a base de utilizarlo repetidamente) sustituya la estricta observancia de las normas de seguridad para el producto en cuestión. El MAL USO o el no seguir las normas de seguridad establecidas en este manual de instrucciones podrá ocasionar graves heridas personales.

## Instrucciones de seguridad importantes para el cartucho de batería

1. Antes de utilizar el cartucho de batería, lea todas las instrucciones e indicaciones de precaución sobre (1) el cargador de baterías, (2) la batería, y (3) el producto con el que se utiliza la batería.
2. No desensamble ni manipule el cartucho de batería. Podrá resultar en un incendio, calor excesivo, o una explosión.
3. Si el tiempo de uso se acorta demasiado, cese la operación inmediatamente. Podría resultar en un riesgo de recalentamiento, posibles quemaduras e incluso una explosión.
4. Si entra electrólito en sus ojos, aclárelos con agua limpia y acuda a un médico inmediatamente. Existe el riesgo de poder perder la vista.
5. No cortocircuite el cartucho de batería:
  - (1) No toque los terminales con ningún material conductor.
  - (2) Evite guardar el cartucho de batería en un cajón junto con otros objetos metálicos, como clavos, monedas, etc.
  - (3) No exponga el cartucho de batería al agua ni a la lluvia.Un cortocircuito en la batería puede producir una gran circulación de corriente, un recalentamiento, posibles quemaduras e incluso una rotura de la misma.



6. **No guarde ni utilice la herramienta y el cartucho de batería en lugares donde la temperatura pueda alcanzar o exceder los 50 °C.**
7. **Nunca incinere el cartucho de batería incluso en el caso de que esté dañado seriamente o ya no sirva en absoluto. El cartucho de batería puede explotar si se tira al fuego.**
8. **No clave, corte, aplaste, lance, deje caer el cartucho de batería, ni golpee contra un objeto duro el cartucho de batería.** Tal conducta podrá resultar en un incendio, calor excesivo, o una explosión.
9. **No utilice una batería dañada.**
10. **Las baterías de litio-ion contenidas están sujetas a los requisitos de la Legislación para Materiales Peligrosos.**  
Para transportes comerciales, p.ej., por terceras personas y agentes de transportes, se deberán observar requisitos especiales para el empaquetado y etiquetado.  
Para la preparación del artículo que se va a enviar, se requiere consultar con un experto en materiales peligrosos. Por favor, observe también la posibilidad de reglamentos nacionales más detallados. Cubra con cinta aislante o enmascare los contactos expuestos y empaquete la batería de tal manera que no se pueda mover alrededor dentro del embalaje.
11. **Para desechar el cartucho de batería, retírelo de la herramienta y deséchelo en un lugar seguro. Siga los reglamentos locales referentes al desecho de la batería.**
12. **Utilice las baterías solamente con los productos especificados por Makita.** La instalación de las baterías en productos no compatibles puede resultar en un incendio, calor excesivo, explosión, o fuga de electrolito.
13. **Si la herramienta no va a ser utilizada durante un periodo de tiempo largo, la batería deberá ser retirada de la herramienta.**
14. **Durante y después de la utilización, el cartucho de batería podrá acumular calor, lo cual puede ocasionar quemaduras o quemaduras de baja temperatura. Preste atención al manejo de cartuchos de batería calientes.**
15. **No toque el terminal de la herramienta inmediatamente después de utilizar, dado que puede calentarse lo suficiente como para ocasionar quemaduras.**
16. **No permita que virutas, polvo, o tierra se adhieran dentro de los terminales, orificios, y ranuras del cartucho de batería.** Esto podría ocasionar calentamiento, que coja fuego, reviente y un mal funcionamiento de la herramienta o el cartucho de batería, resultando en quemaduras o heridas personales.
17. **A menos que la herramienta pueda utilizarse cerca de cables eléctricos de alta tensión, no utilice el cartucho de batería cerca de cables eléctricos de alta tensión.** Podrá resultar en un mal funcionamiento o rotura de la herramienta o el cartucho de batería.
18. **Mantenga la batería alejada de los niños.**

## GUARDE ESTAS INSTRUCCIONES.

**⚠PRECAUCIÓN:** Utilice solamente baterías genuinas de Makita. La utilización de baterías no genuinas de Makita, o baterías que han sido alteradas, puede resultar en una explosión de la batería ocasionando incendios, heridas personales y daños. También anulará la garantía de Makita para la herramienta y el cargador de Makita.

## Consejos para alargar al máximo la vida de servicio de la batería

1. **Cargue el cartucho de batería antes de que se descargue completamente. Detenga siempre la operación y cargue el cartucho de batería cuando note menos potencia en la herramienta.**
2. **No cargue nunca un cartucho de batería que esté completamente cargado. La sobrecarga acortará la vida de servicio de la batería.**
3. **Cargue el cartucho de batería a temperatura ambiente de 10 °C - 40 °C. Si un cartucho de batería está caliente, déjelo enfriar antes de cargarlo.**
4. **Quando no esté utilizando el cartucho de batería, retírelo de la herramienta o del cargador.**
5. **Cargue el cartucho de batería si no lo utiliza durante un periodo de tiempo prolongado (más de seis meses).**

## DESCRIPCIÓN DEL FUNCIONAMIENTO

**⚠PRECAUCIÓN:** Asegúrese siempre de que la herramienta está apagada y el cartucho de batería retirado antes de realizar cualquier ajuste o comprobación en la herramienta.

## Instalación o extracción del cartucho de batería

**⚠PRECAUCIÓN:** Apague siempre la herramienta antes de instalar o retirar el cartucho de batería.

**⚠PRECAUCIÓN:** Sujete la herramienta y el cartucho de batería firmemente cuando instale o retire el cartucho de batería. Si no sujeta la herramienta y el cartucho de batería firmemente podrán caérsele de las manos y resultar en daños a la herramienta y al cartucho de batería y heridas personales.

► **Fig.1:** 1. Indicador rojo 2. Botón 3. Cartucho de batería

Para retirar el cartucho de batería, deslícelo de la herramienta mientras desliza el botón de la parte frontal del cartucho.

Para instalar el cartucho de batería, alinee la lengüeta del cartucho de batería con la ranura del alojamiento y deslícelo al interior hasta encajarlo en su sitio. Insértele por completo hasta que se bloquee en su sitio con un pequeño chasquido. Si puede ver el indicador rojo como se muestra en la figura, no estará bloqueado completamente.

**⚠️ PRECAUCIÓN:** Instale siempre el cartucho de batería completamente hasta que no pueda verse el indicador rojo. En caso contrario, podrá caerse accidentalmente de la herramienta y ocasionarle heridas a usted o a alguien que esté cerca de usted.

**⚠️ PRECAUCIÓN:** No instale el cartucho de batería empleando fuerza. Si el cartucho no se desliza al interior fácilmente, será porque no está siendo insertado correctamente.

## Modo de indicar la capacidad de batería restante

Solamente para cartuchos de batería con el indicador

► **Fig.2:** 1. Lámparas indicadoras 2. Botón de comprobación

Presione el botón de comprobación en el cartucho de batería para indicar la capacidad de batería restante. Las lámparas indicadoras se iluminan durante unos pocos segundos.

Lámparas indicadoras			Capacidad restante
Iluminada	Apagada	Parpadeando	
			75% a 100%
			50% a 75%
			25% a 50%
			0% a 25%
			Cargue la batería.
			Puede que la batería no esté funcionando bien.

**NOTA:** Dependiendo de las condiciones de utilización y de la temperatura ambiente, la indicación podrá variar ligeramente de la capacidad real.

**NOTA:** La primera lámpara indicadora (extremo izquierdo) parpadeará cuando el sistema de protección de la batería esté funcionando.

## Sistema de protección de la herramienta / batería

La herramienta está equipada con un sistema de protección de la herramienta/batería. Este sistema corta automáticamente la alimentación al motor para alargar la vida de servicio de la herramienta y la batería. La herramienta se detendrá automáticamente durante la operación si la herramienta o la batería es puesta en una de las condiciones siguientes:

## Protección contra sobrecarga

Cuando la herramienta o la batería sea operada de manera que le haga absorber una corriente anormalmente alta, la herramienta se detendrá automáticamente sin ninguna indicación. En esta situación, apague la herramienta y detenga la tarea que ocasiona la sobrecarga de la herramienta. Después encienda la herramienta para volver a empezar.

## Protección contra el recalentamiento

Cuando la herramienta o la batería se recalienta, la herramienta se detiene automáticamente. En este caso, deje que la herramienta y la batería se enfríen antes de encender la herramienta otra vez.

## Protección contra descarga excesiva

Cuando la capacidad de batería no es suficiente, la herramienta se detiene automáticamente. En este caso, retire la batería de la herramienta y cargue la batería.

## Accionamiento del interruptor

**⚠️ PRECAUCIÓN:** Antes de insertar el cartucho de batería en la herramienta, compruebe siempre para cerciorarse de que el gatillo interruptor se acciona debidamente y que vuelve a la posición "OFF" cuando lo suelta.

**⚠️ PRECAUCIÓN:** El interruptor puede ser bloqueado en la posición "Encendida" para mayor comodidad del operario durante una utilización prolongada. Tenga precaución cuando bloquee la herramienta en la posición "Encendida" y mantenga la herramienta firmemente empuñada.

**⚠️ PRECAUCIÓN:** No instale el cartucho de batería con el botón de bloqueo accionado.

**⚠️ PRECAUCIÓN:** Cuando no esté utilizando la herramienta, presione hacia dentro el botón de bloqueo del gatillo desde el lado para bloquear el gatillo interruptor en la posición apagada.

► **Fig.3:** 1. Botón de bloqueo del gatillo

► **Fig.4:** 1. Gatillo interruptor 2. Botón de bloqueo 3. Botón de bloqueo del gatillo

Para evitar que el gatillo interruptor pueda ser apretado accidentalmente, se ha provisto el botón de bloqueo del gatillo. Para poner en marcha la herramienta, presione hacia dentro el botón de bloqueo del gatillo desde el lado A () y apriete el gatillo interruptor. La velocidad de la herramienta incrementa aumentando la presión en el gatillo interruptor. Suelte el gatillo interruptor para parar. Después de la utilización, presione hacia dentro el botón de bloqueo del gatillo desde el lado B ()

Para operación continua, presione hacia dentro el botón de bloqueo mientras aprieta el gatillo interruptor, y después suelte el gatillo interruptor. Para parar la herramienta, apriete el gatillo interruptor completamente, después suéltelo.

## Dial de ajuste de la velocidad

► **Fig.5:** 1. Dial de ajuste de la velocidad

La velocidad de giro se puede cambiar girando el dial de ajuste de la velocidad hasta un número de ajuste dado de 1 a 5. Se obtiene velocidad más alta cuando el dial es girado en la dirección del número 5. Y se obtiene velocidad más baja cuando es girado en la dirección del número 1. Consulte la tabla para ver la relación entre los ajustes numéricos del dial y la velocidad de giro aproximada.

### Modo normal

Número	Órbitas por minuto	Velocidad de giro de la almohadilla por minuto en modo de órbitas aleatorias con giro forzado
1	1.600	180
2	2.500	290
3	4.000	460
4	5.600	650
5	6.800	780

### Modo de acabado

Número	Órbitas por minuto	Velocidad de giro de la almohadilla por minuto en modo de órbitas aleatorias con giro forzado
1	1.600	180
2	2.200	250
3	3.300	380
4	4.400	500
5	5.200	600

**AVISO:** Si la herramienta es utilizada continuamente a velocidades bajas durante largo tiempo, el motor se sobrecargará, resultando en un mal funcionamiento de la herramienta.

**AVISO:** El dial de ajuste de la velocidad se puede girar solamente hasta 5 y de vuelta a 1. No lo fuerce más allá de 5 o 1, o la función de ajuste de velocidad podrá dejar de funcionar.

## Selección del modo de accionamiento

Gire el pomo de cambio para cambiar el modo de giro.

► **Fig.6:** 1. Pomo de cambio

**AVISO:** Gire siempre el pomo completamente. Si el pomo está en la posición del medio, usted no podrá encender la herramienta.

**AVISO:** El modo de accionamiento no se puede cambiar cuando la herramienta está encendida.

## Modo de órbitas aleatorias con giro forzado

► **Fig.7:** 1. Pomo de cambio

El modo de órbitas aleatorias con giro forzado es un accionamiento orbital con giro forzado de la almohadilla para pulido basto tal como el tratamiento de superficies. Gire el pomo de cambio hacia la izquierda para el modo de órbitas aleatorias con giro forzado.

## Modo de órbitas aleatorias

► **Fig.8:** 1. Pomo de cambio

El modo de órbitas aleatorias es un accionamiento orbital con giro libre de la almohadilla para pulido fino.

Gire el pomo de cambio hacia la derecha para el modo de órbitas aleatorias.

## Modo de acabado

En el modo de acabado, puede utilizar la herramienta sin aplicar una carga excesiva. Este modo es apropiado para la operación de acabado.

Para utilizar la herramienta en el modo de acabado, apriete el gatillo interruptor y suéltelo para encender la herramienta, y después presione el botón de cambio de modo. La lámpara se ilumina en verde. Para volver al modo normal, presione el botón de cambio de modo mientras la herramienta está encendida.

► **Fig.9:** 1. Lámpara 2. Botón de cambio de modo

**NOTA:** No puede cambiar el modo cuando la herramienta está en marcha.

## Función de prevención de reinicio de puesta en marcha accidental

Si instala el cartucho de batería mientras aprieta el gatillo interruptor o bloquea el gatillo interruptor, la herramienta no se pondrá en marcha. Para poner en marcha la herramienta, suelte el gatillo interruptor, y después apriete el gatillo interruptor.

## Función electrónica

Las herramientas equipadas con función electrónica son fáciles de utilizar gracias a las características siguientes.

## Control de velocidad constante

Se puede obtener un acabado fino, porque la velocidad de giro se mantiene constante incluso en condición de carga.

## Característica de inicio suave

Inicio suave gracias a la supresión del golpe de arranque.

## MONTAJE

**PRECAUCIÓN:** Asegúrese siempre de que la herramienta está apagada y el cartucho de batería retirado antes de realizar cualquier trabajo en la herramienta.

## Instalación del plato de respaldo

► **Fig.10:** 1. Llave hexagonal 2. Perno 3. Plato de respaldo

Ponga el plato de respaldo en el eje y después gire el perno hacia la derecha con una llave hexagonal.

**PRECAUCIÓN:** Asegúrese de que el plato de respaldo está sujetado debidamente. Un accesorio flojo se desequilibrará y ocasionará una vibración excesiva que puede ocasionar la pérdida del control.

## Instalación de la empuñadura lateral

### Accesorio opcional

**⚠ PRECAUCIÓN:** Apriete las tapas o la empuñadura lateral firmemente. De lo contrario, la cubierta frontal podrá caerse y ocasionar heridas.

► Fig.11: 1. Tapa 2. Empuñadura lateral

Retire la tapa y rosque la empuñadura lateral en la herramienta firmemente. La empuñadura lateral se puede instalar en cualquiera de los lados de la herramienta.

## Instalación o desmontaje de la almohadilla

### Accesorio opcional

**⚠ PRECAUCIÓN:** Utilice solamente almohadillas de sistema de gancho-y-lazo para pulir.

► Fig.12: 1. Almohadilla

Para instalar la almohadilla, primero retire toda la suciedad y materia extraña del sistema de gancho-y-lazo de la almohadilla y del plato de respaldo. Coloque la almohadilla en el plato de respaldo de forma que sus bordes estén alineados.

Para retirar la almohadilla del plato de respaldo, simplemente tire de ella desde su borde.

**⚠ PRECAUCIÓN:** Asegúrese de que la almohadilla y el plato de respaldo están alineados y sujetados firmemente. De lo contrario la almohadilla ocasionará vibración excesiva que causará la pérdida de control o la almohadilla podrá salir lanzada de la herramienta.

## OPERACIÓN

**⚠ PRECAUCIÓN:** Utilice solamente almohadillas genuinas de Makita para pulir (accesorios opcionales).

**⚠ PRECAUCIÓN:** Asegúrese de que el material de trabajo está sujetado y estable. Un objeto que se cae puede ocasionar heridas personales.

**⚠ PRECAUCIÓN:** Sujete la herramienta firmemente con una mano en el mango del interruptor y la otra en la empuñadura delantera (o mango lateral) cuando utilice la herramienta.

**⚠ PRECAUCIÓN:** No utilice la herramienta sometida a mucha carga durante periodos de tiempo prolongados. Podrá resultar en un mal funcionamiento de la herramienta que ocasionará una descarga eléctrica, un incendio y/o heridas graves.

**⚠ PRECAUCIÓN:** Tenga cuidado de no tocar la parte giratoria.

**⚠ PRECAUCIÓN:** Antes de utilizar la herramienta, asegúrese de que la empuñadura lateral o las tapas no están flojas. Si la empuñadura lateral o las tapas están flojas, la cubierta frontal podrá caerse y ocasionar heridas.

**AVISO:** No fuerce nunca la herramienta. Una presión excesiva podrá conducir a una disminución de la eficacia del pulido, dañar la almohadilla, o acortar la vida de servicio de la herramienta.

**AVISO:** La operación continua a alta velocidad podrá dañar la superficie del trabajo.

## Operación de pulido

► Fig.13

1. Tratamiento de superficies (Modo de órbitas aleatorias con giro forzado)

Utilice la almohadilla de lana para acabado basto y después utilice la almohadilla de esponja para acabado fino.

2. Aplicación de cera (Modo de órbitas aleatorias)

Utilice una almohadilla de esponja. Aplique cera a la almohadilla de esponja, o a la superficie de trabajo. Utilice la herramienta a baja velocidad para suavizar la cera.

**⚠ PRECAUCIÓN:** No aplique cera o agente de pulir en exceso. Generará más polvo y podrá ocasionar enfermedades de los ojos o respiratorias.

**NOTA:** Primero, realice un encerado de prueba en una porción discreta de la superficie de trabajo. Antes, asegúrese de que la herramienta no rayará la superficie o producirá un encerado desigual.

3. Para quitar cera (Modo de órbitas aleatorias)

Utilice otra almohadilla de esponja. Ponga la herramienta en marcha para quitar la cera.

4. Pulido (Modo de órbitas aleatorias)

Aplique la almohadilla de fieltro suavemente a la superficie de trabajo.

## MANTENIMIENTO

**⚠ PRECAUCIÓN:** Asegúrese siempre de que la herramienta está apagada y de que el cartucho de batería está retirado antes de intentar hacer una inspección o mantenimiento.

**AVISO:** No utilice nunca gasolina, bencina, disolvente, alcohol o similares. Podría producir descoloración, deformación o grietas.

Para mantener la SEGURIDAD y FIABILIDAD del producto, las reparaciones, y cualquier otra tarea de mantenimiento o ajuste deberán ser realizadas en centros de servicio o de fábrica autorizados por Makita, empleando siempre repuestos Makita.

## Limpeza de los guardapolvos

► Fig.14: 1. Guardapolvo

Limpe los guardapolvos de las aberturas de ventilación regularmente para obtener una circulación de aire uniforme. Retire los guardapolvos y limpie la malla.

# ACCESORIOS OPCIONALES

**⚠ PRECAUCIÓN:** Estos accesorios o aditamentos están recomendados para su uso con la herramienta Makita especificada en este manual. El uso de cualquier otro accesorio o aditamento puede suponer un riesgo de heridas personales. Utilice el accesorio o aditamento solamente con la finalidad indicada para el mismo.

Si necesita cualquier ayuda para más detalles en relación con estos accesorios, pregunte al centro de servicio Makita local.

- Empuñadura lateral
- Plato de respaldo
- Almohadilla de lana
- Almohadilla de esponja
- Almohadilla de fieltro
- Batería y cargador genuinos de Makita

**NOTA:** Algunos elementos de la lista podrán estar incluidos en el paquete de la herramienta como accesorios estándar. Pueden variar de un país a otro.

## ESPECIFICAÇÕES

Modelo:		DPO500	DPO600
Diâmetro da almofada de apoio		123 mm	148 mm
Órbitas por minuto	Modo normal	0 - 6.800 min <sup>-1</sup>	
	Modo de acabamento	0 - 5.200 min <sup>-1</sup>	
Comprimento geral		530 mm	
Tensão nominal		C.C. 18 V	
Peso líquido		3,1 - 3,6 kg	

- Devido a um programa contínuo de pesquisa e desenvolvimento, estas especificações estão sujeitas a alteração sem aviso prévio.
- As especificações e a bateria podem variar de país para país.
- O peso poderá diferir em função do acessório(s), incluindo a bateria. A combinação mais leve e mais pesada, de acordo com o Procedimento EPTA 01/2014, é apresentada na tabela.

### Bateria e carregador aplicável

Bateria	BL1815N / BL1820B / BL1830B / BL1840B / BL1850B / BL1860B
Carregador	DC18RC / DC18RD / DC18RE / DC18SD / DC18SE / DC18SF / DC18SH / DC18WC

- Algumas das baterias e carregadores listados acima poderão não estar disponíveis, dependendo da sua região de residência.

**⚠AVISO:** Utilize apenas as baterias e carregadores listados acima. A utilização de quaisquer outras baterias e carregadores pode causar ferimentos e/ou um incêndio.

### Utilização a que se destina

A ferramenta foi concebida para polir.

### Ruído

A característica do nível de ruído A determinado de acordo com a EN62841-2-4:

#### Modelo DPO500

Nível de pressão acústica ( $L_{pA}$ ): 85 dB (A)

Nível de potência acústica ( $L_{WA}$ ): 93 dB (A)

Variabilidade (K): 3 dB (A)

#### Modelo DPO600

Nível de pressão acústica ( $L_{pA}$ ): 86 dB (A)

Nível de potência acústica ( $L_{WA}$ ): 94 dB (A)

Variabilidade (K): 3 dB (A)

**NOTA:** O(s) valor(es) da emissão de ruído indicado(s) foi medido de acordo com um método de teste padrão e pode ser utilizado para comparar duas ferramentas.

**NOTA:** O(s) valor(es) da emissão de ruído indicado(s) pode também ser utilizado na avaliação preliminar da exposição.

**⚠AVISO:** Utilize protetores auriculares.

**⚠AVISO:** A emissão de ruído durante a utilização real da ferramenta elétrica pode diferir do(s) valor(es) indicado(s), dependendo das formas como a ferramenta é utilizada, especialmente o tipo de peça de trabalho que é processada.

**⚠AVISO:** Certifique-se de identificar as medidas de segurança para proteção do operador que sejam baseadas em uma estimativa de exposição em condições reais de utilização (considerando todas as partes do ciclo de operação, tal como quando a ferramenta está desligada e quando está a funcionar em marcha lenta além do tempo de acionamento).

### Vibração

Valor total da vibração (soma vetorial tri-axial) determinado de acordo com a EN62841-2-4:

#### Modelo DPO500

Modo de trabalho: polimento

Emissão de vibração ( $a_{h,p}$ ): 9,5 m/s<sup>2</sup>

Variabilidade (K): 1,5 m/s<sup>2</sup>

#### Modelo DPO600

Modo de trabalho: polimento

Emissão de vibração ( $a_{h,p}$ ): 10,0 m/s<sup>2</sup>

Variabilidade (K): 1,5 m/s<sup>2</sup>

**NOTA:** O(s) valor(es) total(ais) de vibração indicado(s) foi medido de acordo com um método de teste padrão e pode ser utilizado para comparar duas ferramentas.

**NOTA:** O(s) valor(es) total(ais) de vibração indicado(s) pode também ser utilizado na avaliação preliminar da exposição.

**⚠️ AVISO:** A emissão de vibração durante a utilização real da ferramenta elétrica pode diferir do(s) valor(es) indicado(s), dependendo das formas como a ferramenta é utilizada, especialmente o tipo de peça de trabalho que é processada.

**⚠️ AVISO:** Certifique-se de identificar as medidas de segurança para proteção do operador que sejam baseadas em uma estimativa de exposição em condições reais de utilização (considerando todas as partes do ciclo de operação, tal como quando a ferramenta está desligada e quando está a funcionar em marcha lenta além do tempo de acionamento).

## Declarações de conformidade

### *Apenas para os países europeus*

As Declarações de conformidade estão incluídas no Anexo A deste manual de instruções.

## AVISOS DE SEGURANÇA

### Avisos gerais de segurança para ferramentas elétricas

**⚠️ AVISO** Leia todos os avisos de segurança, instruções, ilustrações e especificações fornecidos com esta ferramenta elétrica. O incumprimento de todas as instruções abaixo enumeradas pode resultar em choque elétrico, incêndio e/ou ferimentos graves.

### Guarde todos os avisos e instruções para futuras referências.

O termo "ferramenta elétrica" nos avisos refere-se às ferramentas elétricas ligadas à corrente elétrica (com cabo) ou às ferramentas elétricas operadas por meio de bateria (sem cabo).

### Avisos de segurança da poltrix rotorbital a bateria

1. Não deixe a ferramenta a funcionar. Utilize a ferramenta apenas quando a estiver a segurar com a mão.
2. Verifique se a peça de trabalho está bem apoiada.
3. Não utilize a ferramenta em nenhum material que contenha amianto.
4. Não toque no perno na almofada de apoio imediatamente após a operação. Pode estar extremamente quente e pode causar queimaduras na pele.

5. Certifique-se de que não existem fendas ou quebra na almofada antes de utilizar. Se deixar cair a ferramenta, verifique se não existe quebra e ligue a ferramenta durante aproximadamente 1 minuto à velocidade máxima sem carga para confirmar que não existe qualquer anormalidade na ferramenta. As fendas ou quebra podem provocar ferimentos pessoais.

## GUARDE ESTAS INSTRUÇÕES.

**⚠️ AVISO:** NÃO permita que o conforto ou familiaridade com o produto (adquirido com o uso repetido) substitua o cumprimento estrito das regras de segurança da ferramenta. A MÁ INTERPRETAÇÃO ou o não seguimento das regras de segurança estabelecidas neste manual de instruções pode provocar ferimentos pessoais graves.

## Instruções de segurança importantes para a bateria

1. Antes de utilizar a bateria, leia todas as instruções e etiquetas de precaução no (1) carregador de bateria (2) bateria e (3) produto que utiliza a bateria.
2. Não desmonte ou manipule a bateria. Pode resultar num incêndio, em calor excessivo ou numa explosão.
3. Se o tempo de funcionamento se tornar excessivamente curto, pare o funcionamento imediatamente. Pode resultar em sobreaquecimento, possíveis queimaduras e mesmo explosão.
4. Se entrar eletrólito nos seus olhos, lave-os com água e consulte imediatamente um médico. Pode resultar em perda de visão.
5. Não coloque a bateria em curto-circuito:
  - (1) Não toque nos terminais com qualquer material condutor.
  - (2) Evite guardar a bateria juntamente com outros objetos metálicos tais como pregos, moedas, etc.
  - (3) Não exponha a bateria à água ou chuva. Um curto-circuito pode ocasionar um enorme fluxo de corrente, sobreaquecimento, possíveis queimaduras e mesmo estragar-se.
6. Não guarde nem utilize a ferramenta e a bateria em locais onde a temperatura pode atingir ou exceder 50 °C.
7. Não queime a bateria mesmo que esteja estragada ou completamente gasta. A bateria pode explodir no fogo.
8. Não pregue, corte, esmague, atire, deixe cair a bateria, nem bata a bateria contra um objeto rijo. Esta conduta pode resultar num incêndio, em calor excessivo ou numa explosão.
9. Não utilize uma bateria danificada.
10. As baterias de íões de lítio contidas na ferramenta são sujeitas aos requisitos da DGL (Dangerous Goods Legislation - Legislação de bens perigosos).

Para o transporte comercial, por exemplo, por terceiros ou agentes de expedição, têm de ser observados os requisitos referentes à embalagem e etiquetagem.

Para preparação do artigo a ser expedido, é necessário consultar um perito em materiais perigosos. Tenha ainda em conta a possibilidade de existirem regulamentos nacionais mais detalhados. Coloque fita-cola ou tape os contactos abertos e embale a bateria de tal forma que não possa mover-se dentro da embalagem.

11. Quando eliminar a bateria, remova-a da ferramenta e elimine-a num local seguro. Siga os regulamentos locais relacionados com a eliminação de baterias.
12. Utilize as baterias apenas com os produtos especificados pela Makita. Instalar as baterias em produtos não-conformes poderá resultar num incêndio, calor excessivo, explosão ou fuga de eletrólito.
13. Se a ferramenta não for utilizada durante um período de tempo prolongado, a bateria deve ser removida da ferramenta.
14. Durante e após a utilização, a bateria pode aquecer, o que pode provocar queimaduras ou queimaduras a baixa temperatura. Preste atenção ao manuseamento de baterias quentes.
15. Não toque no terminal da ferramenta imediatamente após a utilização, pois pode ficar suficientemente quente para provocar queimaduras.
16. Não permita a adesão de aparas, pó ou sujidade nos terminais, nos orifícios e nas ranhuras da bateria. Poderá fazer com que a ferramenta ou a bateria aqueça, incendeie, rebente e avarie, resultando em queimaduras ou ferimentos corporais.
17. A menos que a ferramenta suporte a utilização perto de linhas elétricas de alta tensão, não utilize a bateria perto de linhas elétricas de alta tensão. Pode resultar no mau funcionamento ou na avaria da ferramenta ou bateria.
18. Mantenha a bateria afastada das crianças.

## GUARDE ESTAS INSTRUÇÕES.

**⚠PRECAUÇÃO:** Utilize apenas baterias genuínas da Makita. A utilização de baterias não genuínas da Makita ou de baterias que foram alteradas, pode resultar no rebentamento da bateria provocando incêndios, ferimentos pessoais e danos. Além disso, anulará da garantia da Makita no que se refere à ferramenta e ao carregador Makita.

## Conselhos para manter a máxima vida útil da bateria

1. Carregue a bateria antes que esteja completamente descarregada. Pare sempre o funcionamento da ferramenta e carregue a bateria quando notar menos poder na ferramenta.
2. Nunca carregue uma bateria completamente carregada. Carregamento excessivo diminui a vida útil da bateria.
3. Carregue a bateria à temperatura ambiente de 10 °C – 40 °C. Deixe que uma bateria quente arrefeça antes de a carregar.
4. Quando não utilizar a bateria, remova-a da ferramenta ou do carregador.
5. Carregue a bateria se não a utilizar durante um longo período de tempo (mais de seis meses).

## DESCRIÇÃO FUNCIONAL

**⚠PRECAUÇÃO:** Certifique-se sempre de que a ferramenta está desligada e a bateria foi retirada antes de regular ou verificar qualquer função na ferramenta.

## Instalação ou remoção da bateria

**⚠PRECAUÇÃO:** Desligue sempre a ferramenta antes de colocar ou retirar a bateria.

**⚠PRECAUÇÃO:** Segure firmemente a ferramenta e a bateria quando instalar ou remover a bateria. Se não segurar firmemente a ferramenta e a bateria pode fazer com que escorreguem das suas mãos resultando em danos na ferramenta e na bateria e ferimentos pessoais.

► Fig.1: 1. Indicador vermelho 2. Botão 3. Bateria

Para retirar a bateria, deslize-a para fora da ferramenta enquanto desliza o botão na frente da bateria.

Para instalar a bateria, alinhe a lingueta na bateria com a ranhura na caixa e deslize-a para a posição correta. Insira-a por completo até bloquear na posição correta com um pequeno clique. Se conseguir ver o indicador vermelho conforme apresentado na figura, não está completamente bloqueada.

**⚠PRECAUÇÃO:** Instale sempre a bateria até ao fim, até deixar de ver o indicador vermelho. Caso contrário, a bateria poderá cair da ferramenta acidentalmente e provocar ferimentos em si mesmo ou em alguém próximo.

**⚠PRECAUÇÃO:** Não instale a bateria à força. Se a bateria não deslizar facilmente é porque não foi colocada corretamente.

## Indicação da capacidade restante da bateria

*Apenas para baterias com indicador*

► Fig.2: 1. Luzes indicadoras 2. Botão de verificação

Prima o botão de verificação na bateria para indicar a capacidade restante da bateria. As luzes indicadoras acendem durante alguns segundos.

Luzes indicadoras			Capacidade restante
Acaso	Apagado	A piscar	
■	□	▧	75% a 100%
■ ■ ■ ■	□ □ □ □		50% a 75%
■ ■ ■ ■	□ □ □ □		25% a 50%
■ ■ ■ ■	□ □ □ □		0% a 25%
▧	□ □ □ □		Carregar a bateria.
■ ■ ■ ■	□ □ □ □		A bateria pode estar avariada.
□ □ □ □	■ ■ ■ ■	↑ ↓	



**NOTA:** Dependendo das condições de utilização e da temperatura ambiente, a indicação pode ser ligeiramente diferente da capacidade real.

**NOTA:** A primeira luz indicadora (extremo esquerdo) pisca quando o sistema de proteção da bateria funciona.

## Sistema de proteção da ferramenta/bateria

A ferramenta está equipada com um sistema de proteção da ferramenta/bateria. Este sistema corta automaticamente a corrente para o motor para aumentar a vida da ferramenta e da bateria. A ferramenta para automaticamente durante o funcionamento se a ferramenta ou bateria for colocada mediante uma das seguintes condições:

### Proteção contra sobrecarga

Quando a ferramenta ou a bateria é operada de tal forma que a faça retirar uma corrente anormalmente alta, a ferramenta para automaticamente sem qualquer indicação. Nesta situação, desligue a ferramenta e pare a aplicação que fez com que a ferramenta ficasse sobrecarregada. Depois, ligue a ferramenta para reiniciar.

### Proteção contra sobreaquecimento

Quando a ferramenta ou a bateria estiver sobreaquecida, a ferramenta para automaticamente. Nesta situação, deixe a ferramenta e a bateria arrefecerem antes de voltar a ligar a ferramenta.

### Proteção contra descarga excessiva


Quando a capacidade da bateria não é suficiente, a ferramenta para automaticamente. Neste caso, retire a bateria da ferramenta e carregue-a.

## Ação do interruptor

**⚠️ PRECAUÇÃO:** Antes de colocar a bateria na ferramenta, verifique sempre se o gatilho do interruptor funciona corretamente e volta para a posição "OFF" quando libertado.



**⚠️ PRECAUÇÃO:** O interruptor pode ser bloqueado na posição de ligado para facilidade e conforto do utilizador durante uma utilização alargada. Tenha todo o cuidado quando bloquear a ferramenta na posição de ligado e mantenha a ferramenta firmemente segura em posição.

**⚠️ PRECAUÇÃO:** Não instale a bateria com o botão de bloqueio engatado.

**⚠️ PRECAUÇÃO:** Quando não está a utilizar a ferramenta, prima o botão de bloqueio do gatilho  na parte lateral para bloquear o gatilho do interruptor na posição desligado.

► **Fig.3:** 1. Botão de bloqueio do gatilho

► **Fig.4:** 1. Gatilho 2. Botão de bloqueio 3. Botão de bloqueio do gatilho

Para evitar que o gatilho do interruptor seja puxado acidentalmente, existe um botão de bloqueio do gatilho. Para iniciar a ferramenta, prima o botão de bloqueio do gatilho no lado A  e puxe o gatilho do interruptor. A velocidade da ferramenta aumenta à medida que se vai aumentando a pressão no gatilho do interruptor. Solte o gatilho para parar. Após a utilização, prima o botão de bloqueio do gatilho no lado B .

Para uma operação contínua, prima o botão de bloqueio enquanto puxa o gatilho do interruptor e, depois, solte o gatilho do interruptor. Para parar a ferramenta, puxe o gatilho do interruptor até ao fim, soltando-o em seguida.

## Botão rotativo de regulação da velocidade

► **Fig.5:** 1. Botão rotativo de regulação da velocidade

A velocidade de rotação pode ser alterada rodando o botão rotativo de regulação da velocidade para um determinado número definido de 1 a 5. Obtém-se uma velocidade maior quando o botão rotativo é rodado em direção ao número 5. E obtém-se uma velocidade menor quando é rodado em direção ao número 1. Refira-se à tabela para ficar a saber a relação entre as definições dos números no botão rotativo e a velocidade de rotação aproximada.

### Modo normal

Número	Órbitas por min.	Velocidade de rotação da almofada por minuto em modo roto-orbital com rotação forçada
1	1.600	180
2	2.500	290
3	4.000	460
4	5.600	650
5	6.800	780

### Modo de acabamento

Número	Órbitas por min.	Velocidade de rotação da almofada por minuto em modo roto-orbital com rotação forçada
1	1.600	180
2	2.200	250
3	3.300	380
4	4.400	500
5	5.200	600

**OBSERVAÇÃO:** Se a ferramenta for utilizada continuamente em velocidades baixas durante muito tempo, o motor fica sobrecarregado resultando em avaria da ferramenta.

**OBSERVAÇÃO:** O botão rotativo de regulação da velocidade só pode ser rodado até um máximo de 5 e novamente até ao 1. Não o force para uma posição além do 5 ou do 1, caso contrário, a função de regulação da velocidade pode deixar de funcionar.

## Selecionar o modo de ação

Gire o botão de mudança para alterar o modo de rotação.

► Fig.6: 1. Botão de mudança

**OBSERVAÇÃO:** Rode sempre o botão até ao fim. Se o botão estiver na posição do meio, não conseguirá ligar a ferramenta.

**OBSERVAÇÃO:** Não conseguirá mudar o modo de ação quando a ferramenta está ligada.

## Modo roto-orbital com rotação forçada

► Fig.7: 1. Botão de mudança

O modo roto-orbital com rotação forçada é a ação orbital com a rotação forçada da almofada para polimento grosseiro, como o tratamento da superfície.

Rode o botão de mudança no sentido contrário ao dos ponteiros do relógio para o modo roto-orbital com rotação forçada.

## Modo roto-orbital

► Fig.8: 1. Botão de mudança

O modo roto-orbital é a ação orbital com a rotação livre da almofada para polimento fino.

Rode o botão de mudança no sentido dos ponteiros do relógio para o modo roto-orbital.

## Modo de acabamento

No modo de acabamento, pode operar a ferramenta sem aplicar carga excessiva. Este modo é adequado para a operação de acabamento.

Para utilizar a ferramenta no modo de acabamento, puxe o gatilho do interruptor e solte-o para ligar a ferramenta e, em seguida, pressione o botão de mudança de modo. A luz acende a verde. Para voltar ao modo normal, pressione o botão de mudança de modo enquanto a ferramenta estiver ligada.

► Fig.9: 1. Luz 2. Botão de mudança de modo

**NOTA:** Não consegue mudar o modo quando a ferramenta está a funcionar.

## Função de prevenção de reinício acidental

Se instalar a bateria e, ao mesmo tempo puxar ou bloquear o gatilho do interruptor, a ferramenta não efetua o arranque. Para iniciar a ferramenta, solte o gatilho do interruptor e, em seguida, puxe o gatilho do interruptor.

## Função eletrónica

As ferramentas equipadas com a função eletrónica são fáceis de utilizar devido às seguintes funcionalidades.

### Controlo da velocidade constante

Possibilidade de obter um acabamento delicado, porque a velocidade de rotação é mantida constante, mesmo sob a condição carregada.

### Funcionalidade de arranque suave

Arranque suave devido ao choque de arranque suprimido.

## MONTAGEM

**PRECAUÇÃO:** Certifique-se sempre de que a ferramenta está desligada e a bateria retirada antes de executar qualquer trabalho na ferramenta.

## Instalar a almofada de apoio

► Fig.10: 1. Chave hexagonal 2. Perno 3. Almofada de apoio

Coloque a almofada de apoio no eixo, depois rode o perno no sentido dos ponteiros do relógio com uma chave hexagonal.

**PRECAUÇÃO:** Certifique-se de que a almofada de apoio está instalada adequadamente. A fixação solta ficará desequilibrada e provocará uma vibração excessiva, o que pode provocar perda de controlo.

## Instalar o punho lateral

### Acessório opcional

**PRECAUÇÃO:** Aperte as capas ou o punho lateral com segurança. Caso contrário, a tampa frontal pode cair e causar uma lesão.

► Fig.11: 1. Capa 2. Punho lateral

Retire a capa e aparafuse o punho lateral na ferramenta em segurança.

O punho lateral pode ser instalado num dos dois lados da ferramenta.

## Instalar ou remover a almofada

### Acessório opcional

**PRECAUÇÃO:** Utilize apenas almofadas para polimento do sistema de fixação por meio de fitas de tecido autocolantes.

► Fig.12: 1. Almofada

Para instalar a almofada, retire primeiro toda a sujidade e matérias estranhas do sistema de fixação por meio de fitas de tecido autocolantes da almofada e da almofada de apoio. Fixe a almofada à almofada de apoio de modo que as extremidades fiquem alinhadas.

Para retirar a almofada da almofada de apoio, simplesmente puxe pelas extremidades.

**PRECAUÇÃO:** Certifique-se de que a almofada e a almofada de apoio estão alinhadas e fixas em segurança. Caso contrário, a almofada provocará uma vibração excessiva que pode provocar perda de controlo ou a almofada pode ser arremessada da ferramenta.

## OPERAÇÃO

**⚠️PRECAUÇÃO:** Utilize apenas almofadas para polimento genuínas da Makita (acessórios opcionais).

**⚠️PRECAUÇÃO:** Certifique-se de que o material de trabalho está preso e estável. A queda de um objeto pode provocar ferimentos pessoais.

**⚠️PRECAUÇÃO:** Segure firmemente a ferramenta com uma mão na pega do interruptor e a outra mão no punho frontal (ou pega lateral) quando utilizar a ferramenta.

**⚠️PRECAUÇÃO:** Não ponha a ferramenta a funcionar com uma carga alta durante um período de tempo alargado. Pode resultar em avaria da ferramenta, o que provoca choque elétrico, incêndio e/ou ferimentos graves.

**⚠️PRECAUÇÃO:** Tenha cuidado para não tocar na peça rotativa.

**⚠️PRECAUÇÃO:** Antes de operar a ferramenta, certifique-se de que o punho lateral ou as capas não estão soltos. Se o punho lateral ou as capas estão soltos, a tampa frontal pode cair e causar uma lesão.

**OBSERVAÇÃO:** Nunca force a ferramenta. Uma pressão excessiva pode levar à diminuição da eficiência do polimento, danificar a almofada ou diminuir a vida da ferramenta.

**OBSERVAÇÃO:** A operação contínua a alta velocidade pode danificar a superfície de trabalho.

## Operação de polimento

### ► Fig.13

1. Tratamento de superfícies (modo roto-orbital com rotação forçada)

Utilize uma almofada de lã para um acabamento grosseiro e, depois, utilize uma almofada de esponja para um acabamento delicado.

2. Aplicar cera (modo roto-orbital)

Utilize uma almofada de esponja. Aplique a cera na almofada de esponja ou na superfície de trabalho. Utilize a ferramenta a baixa velocidade para espalhar a cera.

**⚠️PRECAUÇÃO:** Não aplique cera nem agente de polimento em excesso. Isto geram mais poeira e pode provocar doenças oculares ou respiratórias.

**NOTA:** Primeiro realize um teste colocando cera numa parte pouco visível da superfície de trabalho. Certifique-se de que a ferramenta não irá riscar a superfície nem que o trabalho irá resultar num encastramento irregular.

3. Remover cera (modo roto-orbital)

Utilize outra almofada de esponja. Ponha a ferramenta a trabalhar para remover a cera.

4. Polimento (modo roto-orbital)

Aplique uma almofada de feltro suavemente na superfície de trabalho.

## MANUTENÇÃO

**⚠️PRECAUÇÃO:** Certifique-se sempre de que a ferramenta se encontra desligada e de que a bateria foi retirada antes de executar qualquer inspeção ou manutenção.

**OBSERVAÇÃO:** Nunca utilize gasolina, benzina, diluente, álcool ou produtos semelhantes. Pode ocorrer a descoloração, deformação ou rachaduras.

Para manter a SEGURANÇA e a FIABILIDADE do produto, as reparações e qualquer outra manutenção ou ajuste devem ser levados a cabo pelos centros de assistência Makita autorizados ou pelos centros de assistência de fábrica, utilizando sempre peças de substituição Makita.

## Limpar as coberturas para pó

### ► Fig.14: 1. Cobertura para pó

Limpe regularmente as coberturas para pó nas aberturas de inalação para uma circulação suave do ar. Retire as coberturas para pó e limpe a rede.

## ACESSÓRIOS OPCIONAIS

**⚠️PRECAUÇÃO:** Estes acessórios ou peças são recomendados para utilização com a ferramenta Makita especificada neste manual. A utilização de outros acessórios ou peças pode ser perigosa para as pessoas. Utilize apenas acessórios ou peças para os fins indicados.

Se necessitar de informações adicionais relativas a estes acessórios, solicite-as ao seu centro de assistência Makita.

- Punho lateral
- Almofada de apoio
- Almofada de lã
- Almofada de esponja
- Almofada de feltro
- Bateria e carregador genuínos da Makita

**NOTA:** Alguns itens da lista podem estar incluídos na embalagem da ferramenta como acessórios padrão. Eles podem variar de país para país.

## SPECIFIKATIONER

Model:		DPO500	DPO600
Diameter af bagtallerken		123 mm	148 mm
Omdrejninger per minut	Normal tilstand	0 - 6.800 min <sup>-1</sup>	
	Pudsetilstand	0 - 5.200 min <sup>-1</sup>	
Længde i alt		530 mm	
Mærkespænding		18 V DC	
Nettovægt		3,1 - 3,6 kg	

- På grund af vores kontinuerlige forsknings- og udviklingsprogrammer kan hosstående specifikationer blive ændret uden varsel.
- Specifikationer og akku kan variere fra land til land.
- Vægten kan være anderledes afhængigt af tilbehøret, inklusive akkuen. Den letteste og tungeste kombination i henhold til EPTA-procedure 01/2014 er vist i tabellen.

## Anvendelig akku og oplader

Akku	BL1815N / BL1820B / BL1830B / BL1840B / BL1850B / BL1860B
Oplader	DC18RC / DC18RD / DC18RE / DC18SD / DC18SE / DC18SF / DC18SH / DC18WC

- Nogle af de akkuer og opladere, der er angivet ovenfor, er muligvis ikke tilgængelige, afhængigt af hvilket område du bor i.

**⚠ ADVARSEL:** Brug kun de akkuer og opladere, der er angivet ovenfor. Brug af andre akkuer og opladere kan medføre personskaade og/eller brand.

## Tilsigtet anvendelse

Maskinen er beregnet til afpudsning.

## Støj

Det typiske A-vægtede støjniveau bestemt i overensstemmelse med EN62841-2-4:

### Model DPO500

Lydtryksniveau ( $L_{pA}$ ): 85 dB (A)  
 Lydeffektniveau ( $L_{WA}$ ): 93 dB (A)  
 Usikkerhed (K): 3 dB (A)

### Model DPO600

Lydtryksniveau ( $L_{pA}$ ): 86 dB (A)  
 Lydeffektniveau ( $L_{WA}$ ): 94 dB (A)  
 Usikkerhed (K): 3 dB (A)

**BEMÆRK:** De(n) angivne støjemissionsværdi(er) er målt i overensstemmelse med en standardtestmetode og kan anvendes til at sammenligne en maskine med en anden.

**BEMÆRK:** De(n) angivne støjemissionsværdi(er) kan også anvendes i en præliminær eksponeringsvurdering.

**⚠ ADVARSEL:** Bær høreværn.

**⚠ ADVARSEL:** Støjemissionen under den faktiske anvendelse af maskinen kan være forskellig fra de(n) angivne værdi(er), afhængigt af den måde hvorpå maskinen anvendes, især den type arbejdsømler der behandles.

**⚠ ADVARSEL:** Sørg for at identificere de sikkerhedsforskrifter til beskyttelse af operatøren, som er baseret på en vurdering af eksponering under de faktiske brugsforhold (med hensyntagen til alle dele i brugscyklussen, f.eks. de gange, hvor maskinen er slukket, og når den kører i tomgang i tilgift til afbrydertiden).

## Vibration

Vibrationens totalværdi (tre-aksial vektorsum) bestemt i overensstemmelse med EN62841-2-4:

### Model DPO500

Arbejdstilstand: polering  
 Vibrationsafgivelse ( $a_{h,p}$ ): 9,5 m/s<sup>2</sup>  
 Usikkerhed (K): 1,5 m/s<sup>2</sup>

### Model DPO600

Arbejdstilstand: polering  
 Vibrationsafgivelse ( $a_{h,p}$ ): 10,0 m/s<sup>2</sup>  
 Usikkerhed (K): 1,5 m/s<sup>2</sup>

**BEMÆRK:** De(n) angivne totalværdi(er) for vibration er målt i overensstemmelse med en standardtestmetode og kan anvendes til at sammenligne en maskine med en anden.

**BEMÆRK:** De(n) angivne totalværdi(er) for vibration kan også anvendes i en præliminær eksponeringsvurdering.

**⚠ ADVARSEL:** Vibrationsemissionen under den faktiske anvendelse af maskinen kan være forskellig fra de(n) angivne værdi(er), afhængigt af den måde hvorpå maskinen anvendes, især den type arbejdsemne der behandles.

**⚠ ADVARSEL:** Sørg for at identificere de sikkerhedsforskrifter til beskyttelse af operatøren, som er baseret på en vurdering af eksponering under de faktiske brugsforhold (med hensyntagen til alle dele i brugscyklussen, f.eks. de gange, hvor maskinen er slukket, og når den kører i tomgang i tilgift til afbrydertiden).

## Overensstemmelseserklæringer

### Kun for lande i Europa

Overensstemmelseserklæringerne er inkluderet i Bilag A i denne brugsanvisning.

## SIKKERHEDSADVARSLER

### Almindelige sikkerhedsregler for el-værktøj

**⚠ ADVARSEL** Læs alle sikkerhedsadvarsler, instruktioner, illustrationer og specifikationer, der følger med denne maskine. Hvis du ikke følger alle nedenstående instruktioner, kan det medføre elektrisk stød, brand og/eller alvorlig personskade.

### Gem alle advarsler og instruktioner til fremtidig reference.

Ordet "el-værktøj" i advarslerne henviser til det netforsyede (netledning) el-værktøj eller batteriforsyede (akku) el-værktøj.

### Sikkerhedsadvarsler for akku excenterpolérmaskine

1. Maskinen må ikke køre uden opsyn. Maskinen må kun være i gang, når den holdes i hånden.
2. Kontroller, at arbejdsemnet er korrekt understøttet.
3. Anvend ikke maskinen på materialer, der indeholder asbest.
4. Rør ikke ved bolten på bagtallerkenen umiddelbart efter brug. Den kan være ekstremt varm og medføre forbrændinger.
5. Kontroller, at der ikke er revner eller brud på tallerkenen før brugen. Hvis du taber maskinen, skal du kontrollere, at der ikke er nogen brud, og lade maskinen køre cirka 1 minut ved højeste hastighed uden belastning for at kontrollere, at der ikke er noget unormalt ved maskinen. Revner eller brud kan medføre personskade.

## GEM DISSE FORSKRIFTER.

**⚠ ADVARSEL:** LAD IKKE bekvemmelighed eller kendskab til produktet (opnået gennem gentagen brug) forhindre, at sikkerhedsforskrifterne for produktet nøje overholdes. MISBRUG eller for-sømmelse af at følge de i denne brugsvejledning givne sikkerhedsforskrifter kan medføre alvorlig personskade.

## Vigtige sikkerhedsinstruktioner for akkuen

1. Læs alle instruktioner og advarselmærkater på (1) akku-opladeren, (2) akkuen og (3) produktet, som anvender akku.
2. Adskil eller ændr ikke akkuen. Det kan muligvis resultere i en brand, overdreven varme eller eksplosion.
3. Hold straks op med anvendelsen, hvis brugstiden er blevet stærkt afkortet. Fortsat anvendelse kan resultere i risiko for overophedning, forbrændinger og endog eksplosion.
4. Hvis De har fået elektrolytvæske i øjnene, skal De straks skylle den ud med rent vand og derefter øjeblikkeligt søge lægehjælp. I modsat fald kan De miste synet.
5. Vær påpasselig med ikke at komme til at kortslutte akkuen:
  - (1) Rør ikke ved terminalerne med noget ledende materiale.
  - (2) Undgå at opbevare akkuen i en beholder sammen med andre genstande af metal, for eksempel søm, mønter og lignende.
  - (3) Udsæt ikke akkuen for vand eller regn. Kortslutning af akkuen kan forårsage en kraftig øgning af strømmen, overophedning, mulige forbrændinger og endog værktøjstop.
6. Opbevar og brug ikke maskinen og akkuen på steder, hvor temperaturen muligvis kan nå eller overstige 50 °C.
7. Lad være med at brænde akkuen, selv ikke i tilfælde, hvor den har lidt alvorlig skade eller er fuldstændig udtjent. Akkuen kan eksplodere, hvis man forsøger at brænde den.
8. Slå ikke søm i, skær ikke i, knus, kast, tab ikke akkuen og stød ikke akkuen mod en hård genstand. Sådant adfærd kan muligvis resultere i en brand, overdreven varme eller eksplosion.
9. Anvend ikke en beskadiget akku.
10. De indbyggede litium-ion-batterier er underlagt lovkrav vedrørende farligt gods. Ved kommerciel transport, f.eks. af tredjeparts transportselskaber, skal særlige krav til forpakning og mærkning overholdes. Ved forberedelse af udstyret til forsendelse skal du kontakte en ekspert i farligt gods. Overhold også eventuel mere detaljeret national lovgivning. Tape eller tildæk åbne kontakter, og pak batteriet på en måde, så det ikke kan flytte sig rundt i pakningen.
11. Når akkuen bortskaftes, skal du fjerne den fra maskinen og bortskaft den på et sikkert sted. Følg de lokale love vedrørende bortskaftelsen af batterier.

12. **Brug kun batterierne med de produkter, som Makita specificerer.** Hvis batterierne installeres i ikke-kompatible produkter, kan det medføre brand, kraftig varme, eksplosion eller udsivning af elektrolyt.
13. Hvis maskinen ikke skal bruges i længere tid ad gangen, skal du fjerne batteriet fra maskinen.
14. Akkuen kan muligvis under og efter brug være varm, hvilket kan forårsage forbrændinger eller lavtemperaturforbrændinger. Vær påpasselig med håndtering af varme akkuer.
15. Rør ikke terminalen på maskinen straks efter brug, da den bliver varm nok til at forårsage forbrændinger.
16. **Sørg for, at spåner, støv eller jord ikke sætter sig fast i akkuens terminaler, huller og riller.** Det kan forårsage opvarmning, antændelse, sprængning og funktionsfejl i maskinen eller akkuen, hvilket kan medføre forbrændinger eller personskade.
17. **Medmindre maskinen understøtter brugen i nærheden af elektriske højspændingsledninger, skal du ikke anvende akkuen i nærheden af elektriske højspændingsledninger.** Det kan muligvis medføre funktionsfejl på eller nedbrud af maskinen eller akkuen.
18. **Opbevar batteriet utilgængeligt for børn.**

## GEM DENNE BRUGSANVISNING.

**⚠FORSIGTIG:** Brug kun originale batterier fra Makita. Brug af uoriginale Makita-batterier, eller batterier som er blevet ændret, kan muligvis medføre brud på batteriet, hvilket kan forårsage brand, personskade eller beskadigelse. Det ugyldiggør også Makita-garantien for Makita-maskinen og opladeren.

## Tips til opnåelse af maksimal akku-levetid

1. **Oplad akkuen, inden den er helt afladet. Stop altid værktøjet, og oplad akkuen, hvis De bemærker, at værktøjeffekten er aftagende.**
2. **Genoplad aldrig en fuldt opladet akku. Overopladning vil afkorte akkuens levetid.**
3. **Oplad akkuen ved stuetemperatur ved 10 °C - 40 °C. Lad altid en varm akku få tid til at køle af, inden den oplades.**
4. **Når du ikke anvender akkuen, skal du fjerne den fra maskinen eller opladeren.**
5. **Oplad akkuen, hvis De ikke skal bruge den i længere tid (mere end seks måneder).**

## FUNKTIONSBESKRIVELSE

**⚠FORSIGTIG:** Sørg altid for at maskinen er slukket, og at akkuen er taget ud, før der udføres justering eller kontrol af funktioner på maskinen.

### Isætning eller fjernelse af akkuen

**⚠FORSIGTIG:** Sluk altid for værktøjet, før De monterer eller fjerner akkuen.

**⚠FORSIGTIG:** Hold værktøjet og akkuen fast ved montering eller fjernelse af akkuen. Hvis De ikke holder værktøjet og akkuen fast, kan de glide ud af hænderne på Dem og forårsage beskadigelse af værktøjet og akkuen eller personskade.

► Fig.1: 1. Rød indikator 2. Knap 3. Akku

Akkuen fjernes ved, at De trækker den ud af værktøjet, idet De skyder knappen på forsiden af akkuen i stilling.

For at montere akkuen skal du justere tungen på akkuen med rillen i huset og skubbe den på plads. Indsæt den hele vejen, indtil den låses på plads med et lille klik. Hvis du kan se den røde indikator, som vist i figuren, er den ikke helt låst.

**⚠FORSIGTIG:** Monter altid akkuen helt, indtil den røde indikator ikke længere er synlig. Hvis dette ikke gøres, kan den falde ud af værktøjet ved et uheld, hvorved De selv eller personer i nærheden kan komme til skade.

**⚠FORSIGTIG:** Brug ikke magt ved montering af akkuen. Hvis akkuen ikke glider på plads uden problemer, betyder det, at den ikke sættes i på korrekt vis.

## Indikation af den resterende batteriladning

### Kun til akkuer med indikatoren

► Fig.2: 1. Indikatorlamper 2. Kontrolknap

Tryk på kontrolknappen på akkuen for at få vist den resterende batteriladning. Indikatorlampen lyser i nogle sekunder.

Indikatorlamper			Resterende ladning
Tændt	Slukket	Blinker	
■	□	◐	75% til 100%
■	■	□	50% til 75%
■	□	□	25% til 50%
■	□	□	0% til 25%
◐	□	□	Genoplad batteriet.
■	■	□	Der er muligvis fejl i batteriet.
□	□	■	

**BEMÆRK:** Afhængigt af brugsforholdene og den omgivende temperatur kan indikationen afvige en smule fra den faktiske ladning.

**BEMÆRK:** Den første indikatorlampe (længst mod venstre) vil blinke, når batteribeskyttelsessystemet aktiveres.

## Beskyttelsessystem til værktøj/batteri

Maskinen er udstyret med et beskyttelsessystem til maskinen/batteriet. Dette system afbryder automatisk strømmen til motoren for at forlænge maskinens og batteriets levetid. Maskinen stopper automatisk under brugen, hvis maskinen eller batteriet udsættes for et af følgende forhold:

### Overbelastningsbeskyttelse

Hvis maskinen eller batteriet bruges på en måde, der får den/det til at trække en unormalt høj strøm, stopper maskinen automatisk uden indikation. Sluk i så fald for maskinen, og ophør med den anvendelse, som medførte, at maskinen blev overbelastet. Tænd derefter for maskinen for at starte den igen.

### Beskyttelse mod overophedning

Hvis maskinen eller batteriet bliver overophedet, stopper maskinen automatisk. Lad i så fald maskinen og batteriet køle ned, før der tændes for maskinen igen.

### Beskyttelse mod overafledning

Når batteriladningen er utilstrækkelig, stopper maskinen automatisk. Tag i så fald akkuen ud af maskinen, og oplad akkuen.

## Afbryderbetjening

**⚠️FORSIGTIG:** Inden akkuen sættes i maskinen, bør De altid kontrollere, at afbryderknappen fungerer korrekt, og returnerer til "OFF"-positionen, når den slippes.

**⚠️FORSIGTIG:** Kontakten kan låses i "ON"-stillingen for at gøre det nemmere for brugeren ved længere tids brug af maskinen. Vær forsigtig, når maskinen låses i "ON"-stillingen, og hold godt fast i maskinen.

**⚠️FORSIGTIG:** Undlad at montere akkuen med låseknappen aktiveret.

**⚠️FORSIGTIG:** Når maskinen ikke er i brug, skal du trykke på afbryderlåseknappen fra A-siden for at låse afbryderknappen fast i FRA-stillingen.

► Fig.3: 1. Afbryderlåseknap

► Fig.4: 1. Afbryderknop 2. Låseknap  
3. Afbryderlåseknap

En afbryderlåseknop forhindrer, at der trykkes på afbryderlåseknappen ved et uheld. Maskinen startes ved at trykke på afbryderlåseknappen ind fra A-siden (A) og trykke på afbryderknappen. Maskinens hastighed øges ved at øge trykket på afbryderknappen. Slip afbryderknappen for at stoppe. Tryk afbryderlåseknappen ind fra B-siden (B) efter brug.

For kontinuerlig brug skal du trykke låseknappen ind, idet der trykkes på afbryderknappen, og derefter slippe afbryderknappen. For at stoppe maskinen skal du trykke afbryderknappen helt ind og derefter slippe den.

## Hastighedsvælger

► Fig.5: 1. Hastighedsvælger

Rotationshastigheden kan ændres ved at dreje hastighedsvælgeren til en given talindstilling fra 1 til 5. Hastigheden øges, når vælgeren drejes i retningen mod tallet 5. Og hastigheden sænkes, når den drejes i retningen mod tallet 1. Se nedenstående tabel for forholdet mellem talindstillingerne på vælgeren og den omtrentlige rotationshastighed.

Normal tilstand

Tal	Omdrejninger per min.	Rotationshastighed per minut af slibetallerken i excenteromdrejning med fast rotationstilstand
1	1.600	180
2	2.500	290
3	4.000	460
4	5.600	650
5	6.800	780

Pudsetilstand

Tal	Omdrejninger per min.	Rotationshastighed per minut af slibetallerken i excenteromdrejning med fast rotationstilstand
1	1.600	180
2	2.200	250
3	3.300	380
4	4.400	500
5	5.200	600

**BEMÆRKNING:** Hvis maskinen anvendes kontinuerligt ved lav hastighed i længere tid ad gangen, bliver motoren overbelastet med funktionsforstyrrelser til følge.

**BEMÆRKNING:** Hastighedsvælgeren kan kun drejes til 5 og tilbage til 1. Undlad at tvinge den forbi 5 eller 1, da hastighedsvælgerfunktionen muligvis ellers ikke længere vil fungere.

## Valg af funktionstilstanden

Drej omskifterknappen for at skifte rotationstilstanden.

► Fig.6: 1. Omskifterknop

**BEMÆRKNING:** Drej altid knappen helt rundt. Hvis knappen står i midterpositionen, kan der ikke tændes for maskinen.

**BEMÆRKNING:** Du kan ikke ændre funktionstilstanden, når der er tændt for maskinen.

## Excenteromdrejning med fast rotationstilstand

► Fig.7: 1. Omskifterknop

Excenteromdrejning med fast rotationstilstand er en omdrejningstilstand med fast rotation af slibetallerken til grovpolering som f.eks. overfladebehandling. Drej omskifterknappen mod uret for excenteromdrejning med fast rotationstilstand.

## Excenteromdrejningstilstand

► Fig.8: 1. Omskifterknap

Excenteromdrejningstilstand er en omdrejningstilstand med fri rotation af slibetallerkenen til finpolering. Drej omskifterknappen med uret for excenteromdrejningstilstand.

## Pudsetilstand

I pudsetilstand kan du betjene maskinen uden at anvende kraftigt tryk. Denne tilstand er egnet til pudseoperationer.

Hvis du vil bruge maskinen i pudsetilstand, skal du trykke på afbryderknappen og slippe den for at tænde for maskinen og derefter trykke på knappen til tilstandsvalg. Lampen lyser grønt. Du vender tilbage til normal tilstand ved at trykke på knappen til tilstandsvalg, mens der er tændt for maskinen.

► Fig.9: 1. Lampe 2. Knap til tilstandsvalg

**BEMÆRK:** Du kan ikke ændre tilstanden, når maskinen kører.

## Funktion til forhindring af utilsigtet genstart

Maskinen starter ikke, selvom akkuen sættes i, mens der trykkes på afbryderknappen, eller afbryderknappen låses. Maskinen startes ved at slippe afbryderknappen og derefter trykke på afbryderknappen.

## Elektronisk funktion

Maskiner med elektronisk funktion er lette at betjene på grund af de følgende funktioner.

## Konstant hastighedskontrol

Det er muligt at opnå en flot finish, fordi rotationshastigheden holdes konstant selv under belastning.

## Funktion til blød start

Blød start med undertrykkelse af startchok.

## SAMLING

**⚠FORSIGTIG:** Sørg altid for at maskinen er slukket, og at akkuen er taget ud, før der udføres noget arbejde på maskinen.

## Montering af bagtallerkenen

► Fig.10: 1. Sekskantnøgle 2. Bolt 3. Bagtallerken

Sæt bagtallerkenen på akslen, og drej derefter boltene i retningen med uret med en sekskantnøgle.

**⚠FORSIGTIG:** Sørg for, at bagtallerkenen er fastgjort forsvarligt. Hvis den er løst monteret, vil den komme ud af balance og medføre kraftig vibration, der kan medføre, at du mister kontrollen.

## Montering af sidehåndtaget

### Ekstraudstyr

**⚠FORSIGTIG:** Stram hæfterne eller sidehåndtaget fast. Ellers kan frontdækslet falde af og forårsage personskade.

► Fig.11: 1. Hætte 2. Sidehåndtag

Fjern hæften, og skru sidehåndtaget fast på maskinen. Sidehåndtaget kan monteres på begge sider af maskinen.

## Montering eller fjernelse af slibetallerkenen

### Ekstraudstyr

**⚠FORSIGTIG:** Brug kun burre-system slibetallerkerer til pudsing.

► Fig.12: 1. Slibetallerken

For at montere slibetallerkenen skal du først fjerne alt støv og alle fremmedlegemer fra burre-systemet på slibetallerkenen og bagtallerkenen. Monter slibetallerkenen på bagtallerkenen, så kanterne flugter med hinanden.

Du fjerner slibetallerkenen fra bagtallerkenen ved blot at trække den opad fra kanten.

**⚠FORSIGTIG:** Sørg for, at slibetallerkenen og bagtallerkenen er justeret og fastgjort forsvarligt. Ellers vil slibetallerkenen medføre kraftig vibration, som kan medføre, at du mister kontrollen, eller slibetallerkenen kan blive slynget bort fra maskinen.

## ANVENDELSE

**⚠FORSIGTIG:** Brug kun originale Makita slibetallerkerer til polering (ekstraudstyr).

**⚠FORSIGTIG:** Sørg for, at arbejdsemnet er fastgjort og stabilt. Nedfaldende genstande kan medføre personskade.

**⚠FORSIGTIG:** Hold maskinen fast med den ene hånd på kontakthåndtaget og den anden hånd på det forreste håndtag (eller sidehåndtaget), når maskinen anvendes.

**⚠FORSIGTIG:** Lad ikke maskinen køre med høj belastning i længere tid ad gangen. Dette kan forårsage fejlfunktion i maskinen, hvilket kan medføre elektrisk stød, brand og/eller alvorlig personskade.

**⚠FORSIGTIG:** Undgå at berøre den roterende del.

**⚠FORSIGTIG:** Før du bruger maskinen, skal du sikre dig, at sidehåndtaget eller hæfterne ikke sidder løst. Hvis sidehåndtaget eller hæfterne sidder løst, kan frontdækslet falde af og forårsage personskade.



**BEMÆRKNING:** Brug aldrig magt på maskinen.

For stort tryk kan reducere poleringens effektivitet, beskadige slibetallerkenen eller forkorte maskinens levetid.

**BEMÆRKNING:** Kontinuerlig brug ved høj hastighed kan beskadige arbejdsfladen.

## Polering

### ► Fig.13

1. Overfladebehandling (excenteromdrejning med fast rotationstilstand)

Brug en polérhætte til råpudsning, og brug derefter en polérvamp til finpudsning.

2. Voksning (excenteromdrejningstilstand)

Brug en polérvamp. Kom voks på polérvampen eller arbejdsemnets overflade. Kør maskinen ved lav hastighed for at fordele voksen.

**⚠FORSIGTIG:** Påfør ikke for meget voks eller polérmiddel. Det vil udvikle mere støv og kan medføre øjen- eller åndedrætslidelser.

**BEMÆRK:** Udfør først en prøvevoksning på en del af arbejdsfladen, der ikke er så synlig. Kontroller, at maskinen ikke ridser overfladen, og at voksningen ikke bliver ujævn.

3. Fjernelse af voks (excenteromdrejningstilstand)

Brug en anden polérvamp. Kør maskinen for at fjerne voks.

4. Polering (excenteromdrejningstilstand)

Anvend forsigtigt en polérfiltskive mod arbejdsemnets overflade.

## VEDLIGEHOLDELSE

**⚠FORSIGTIG:** Vær altid sikker på, at værktøjet er slukket, og at akkuen er taget ud, inden De begynder at udføre inspektion eller vedligeholdelse.

**BEMÆRKNING:** Anvend aldrig benzin, rensebenzin, fortynder, alkohol og lignende. Det kan medføre misfarvning, deformation eller revner.

For at opretholde produktets SIKKERHED og PÅLIDELIGHED må reparation, vedligeholdelse eller justering kun udføres af et autoriseret Makita servicecenter eller fabrikksservicecenter med anvendelse af Makita reservedele.

## Rengøring af støvdæksler

### ► Fig.14: 1. Støvdæksel

Rengør regelmæssigt støvdækslerne på indsugningsåbningerne for uhindret luftventilation. Fjern støvdækslerne, og rengør masken.

## EKSTRAUDSTYR

**⚠FORSIGTIG:** Det følgende tilbehør og ekstraudstyr er anbefalet til brug med Deres Makita maskine, der er beskrevet i denne brugsanvisning. Anvendelse af andet tilbehør eller ekstraudstyr kan udgøre en risiko for personskade. Anvend kun tilbehør og ekstraudstyr til det beskrevne formål.

Hvis De behøver hjælp ved valg af tilbehør eller ønsker yderligere informationer, bedes De kontakte Deres lokale Makita servicecenter.

- Sidehåndtag
- Bagtallerken
- Polérhætte
- Polérvamp
- Polérfiltskive
- Original Makita-akku og oplader

**BEMÆRK:** Nogle ting på denne liste kan være inkluderet i værktøjspakken som standardtilbehør. Det kan være forskellige fra land til land.

## ΠΡΟΔΙΑΓΡΑΦΕΣ

Μοντέλο:	DPO500	DPO600
Διάμετρος πέλματος υποστήριξης	123 mm	148 mm
Περιστροφές ανά λεπτό	Κανονική λειτουργία	0 - 6.800 min <sup>-1</sup>
	Λειτουργία τελειώματος	0 - 5.200 min <sup>-1</sup>
Ολικό μήκος	530 mm	
Ονομαστική τάση	D.C. 18 V	
Καθαρό βάρος	3,1 - 3,6 kg	

- Λόγω του συνεχιζόμενου προγράμματος έρευνας και ανάπτυξης, οι προδιαγραφές αυτές υπόκεινται σε αλλαγές χωρίς προειδοποίηση.
- Οι προδιαγραφές και η κασέτα μπαταριών μπορεί να διαφέρουν ανάλογα με τη χώρα.
- Το βάρος μπορεί να διαφέρει ανάλογα με τα προσαρτήματα, συμπεριλαμβάνοντας την κασέτα μπαταριών. Ο ελαφρύτερος και ο βαρύτερος συνδυασμός, σύμφωνα με τη διαδικασία ΕΡΤΑ 01/2014, παρουσιάζονται στον πίνακα.

## Ισχύουσα κασέτα μπαταριών και φορτιστής

Κασέτα μπαταρίας	BL1815N / BL1820B / BL1830B / BL1840B / BL1850B / BL1860B
Φορτιστής	DC18RC / DC18RD / DC18RE / DC18SD / DC18SE / DC18SF / DC18SH / DC18WC

- Ορισμένες από τις κασέτες και τους φορτιστές μπαταριών που αναγράφονται παραπάνω ίσως να μην είναι διαθέσιμοι, ανάλογα με την τοποθεσία κατοικίας σας.

**⚠ ΠΡΟΕΙΔΟΠΟΙΗΣΗ:** Να χρησιμοποιείτε μόνο τις κασέτες μπαταριών και τους φορτιστές που παρατίθενται ανωτέρω. Η χρήση οποιασδήποτε άλλης κασέτας μπαταριών ή φορτιστή μπορεί να προκαλέσει τραυματισμό ή/και πυρκαγιά.

## Προοριζόμενη χρήση

Το εργαλείο προορίζεται για στίλβωση.

## Θόρυβος

Το τυπικό Α επίπεδο καταμετρημένου θορύβου καθορίζεται σύμφωνα με το EN62841-2-4:

### Μοντέλο DPO500

Στάθμη ηχητικής πίεσης ( $L_{pA}$ ): 85 dB (A)

Στάθμη ηχητικής ισχύος ( $L_{WA}$ ): 93 dB (A)

Αβεβαιότητα (K): 3 dB (A)

### Μοντέλο DPO600

Στάθμη ηχητικής πίεσης ( $L_{pA}$ ): 86 dB (A)

Στάθμη ηχητικής ισχύος ( $L_{WA}$ ): 94 dB (A)

Αβεβαιότητα (K): 3 dB (A)

**ΠΑΡΑΤΗΡΗΣΗ:** Η δηλωμένη τιμή(ές) εκπομπής θορύβου έχει μετρηθεί σύμφωνα με την πρότυπη μέθοδο δοκιμής και μπορεί να χρησιμοποιηθεί για τη σύγκριση ενός εργαλείου με κάποιο άλλο.

**ΠΑΡΑΤΗΡΗΣΗ:** Η δηλωμένη τιμή(ές) εκπομπής θορύβου μπορεί να χρησιμοποιηθεί και στην προκαταρκτική αξιολόγηση της έκθεσης.

**⚠ ΠΡΟΕΙΔΟΠΟΙΗΣΗ:** Να φοράτε ωτοασπίδες.

**⚠ ΠΡΟΕΙΔΟΠΟΙΗΣΗ:** Η εκπομπή θορύβου κατά τη χρήση του ηλεκτρικού εργαλείου σε πραγματικές συνθήκες μπορεί να διαφέρει από τη δηλωμένη τιμή(ές) ανάλογα με τους τρόπους χρήσης του εργαλείου, ιδιαίτερα το είδος του τεμαχίου εργασίας που υπόκειται επεξεργασία.

**⚠ ΠΡΟΕΙΔΟΠΟΙΗΣΗ:** Φροντίστε να λάβετε τα κατάλληλα μέτρα προστασίας του χειριστή βάσει ενός υπολογισμού της έκθεσης σε πραγματικές συνθήκες χρήσης (λαμβάνοντας υπόψη όλες τις συνιστώσες του κύκλου λειτουργίας όπως τους χρόνους που το εργαλείο είναι εκτός λειτουργίας και όταν βρίσκεται σε αδρανή λειτουργία πέραν του χρόνου ενεργοποίησης).

## Κραδασμός

Η ολική τιμή δόνησης (άθροισμα τρι-αξονικού διανύσματος) καθορίζεται σύμφωνα με το EN62841-2-4:

### Μοντέλο DPO500

Είδος εργασίας: στίλβωμα

Εκπομπή δόνησης ( $a_{h,p}$ ): 9,5 m/s<sup>2</sup>

Αβεβαιότητα (K): 1,5 m/s<sup>2</sup>

### Μοντέλο DPO600

Είδος εργασίας: στίλβωμα

Εκπομπή δόνησης ( $a_{h,p}$ ): 10,0 m/s<sup>2</sup>

Αβεβαιότητα (K): 1,5 m/s<sup>2</sup>

**ΠΑΡΑΤΗΡΗΣΗ:** Η δηλωμένη τιμή(ές) συνολικών κραδασμών έχει μετρηθεί σύμφωνα με την πρότυπη μέθοδο δοκιμής και μπορεί να χρησιμοποιηθεί για τη σύγκριση ενός εργαλείου με κάποιο άλλο.

**ΠΑΡΑΤΗΡΗΣΗ:** Η δηλωμένη τιμή(ές) συνολικών κραδασμών μπορεί να χρησιμοποιηθεί και στην προκαταρκτική αξιολόγηση της έκθεσης.

**⚠️ ΠΡΟΕΙΔΟΠΟΙΗΣΗ:** Η εκπομπή κραδασμών κατά τη χρήση του ηλεκτρικού εργαλείου σε πραγματικές συνθήκες μπορεί να διαφέρει από τη δηλωμένη τιμή(ές) εκπομπής ανάλογα με τους τρόπους χρήσης του εργαλείου, ιδιαίτερα το είδος του τεμαχίου εργασίας που υπόκειται επεξεργασία.

**⚠️ ΠΡΟΕΙΔΟΠΟΙΗΣΗ:** Φροντίστε να λάβετε τα κατάλληλα μέτρα προστασίας του χειριστή βάσει ενός υπολογισμού της έκθεσης σε πραγματικές συνθήκες χρήσης (λαμβάνοντας υπόψη όλες τις συνιστώσες του κύκλου λειτουργίας όπως τους χρόνους που το εργαλείο είναι εκτός λειτουργίας και όταν βρίσκεται σε αδρανή λειτουργία πέραν του χρόνου ενεργοποίησης).

## Δήλωση Συμμόρφωσης

*Μόνο για χώρες της Ευρώπης*

Οι Δήλωσης Συμμόρφωσης περιλαμβάνονται στο Παράρτημα Α στο παρόν εγχειρίδιο οδηγιών.

## ΠΡΟΕΙΔΟΠΟΙΗΣΕΙΣ ΑΣΦΑΛΕΙΑΣ

### Γενικές προειδοποιήσεις ασφαλείας για το ηλεκτρικό εργαλείο

**⚠️ ΠΡΟΕΙΔΟΠΟΙΗΣΗ** Διαβάστε όλες τις προειδοποιήσεις ασφαλείας, οδηγίες, εικονογραφίες και προδιαγραφές που παρέχονται με αυτό το ηλεκτρικό εργαλείο. Η μη τήρηση όλων των οδηγιών που αναγράφονται κατωτέρω μπορεί να καταλήξει σε ηλεκτροπληξία, πυρκαγιά ή/και σοβαρό τραυματισμό.

### Φυλάξτε όλες τις προειδοποιήσεις και τις οδηγίες για μελλοντική παραπομπή.

Στις προειδοποιήσεις, ο όρος «ηλεκτρικό εργαλείο» αναφέρεται σε ηλεκτρικό εργαλείο που τροφοδοτείται από την κύρια παροχή ηλεκτρικού ρεύματος (με ηλεκτρικό καλώδιο) ή σε ηλεκτρικό εργαλείο που τροφοδοτείται από μπαταρία (χωρίς ηλεκτρικό καλώδιο).

## Προειδοποιήσεις ασφαλείας για τον φορητό στιλβωτή τυχαίας τροχιάς

1. Μην αφήνετε το εργαλείο σε λειτουργία. Να χειρίζεστε το εργαλείο μόνο όταν το κρατάτε με τα χέρια σας.
2. Ελέγξτε αν το τεμάχιο εργασίας στηρίζεται σωστά.
3. Μη χρησιμοποιείτε το εργαλείο σε κανένα υλικό που περιέχει αμίαντο.
4. Μην αγγίζετε το μπουλόνι στο πέλμα υποστήριξης αμέσως μετά τη λειτουργία. Μπορεί να είναι εξαιρετικά καυτό και να προκαλήθει έγκαυμα στο δέρμα σας.
5. Πριν από τη χρήση, να βεβαιώνετε ότι δεν υπάρχουν ρωγμές ή σπασίματα στο πέλμα. Αν το εργαλείο σας πέσει, ελέγξτε το για να διαπιστώσετε ότι δεν έχει σπάσει και θέστε το εργαλείο σε λειτουργία για περίπου 1 λεπτό σε μέγιστη ταχύτητα, χωρίς φορτίο, για να ελέγξετε ότι δεν υπάρχει κανένα πρόβλημα με το εργαλείο. Οι ρωγμές ή τα σπασίματα μπορεί να προκαλέσουν προσωπικό τραυματισμό.

## ΦΥΛΑΞΤΕ ΑΥΤΕΣ ΤΙΣ ΟΔΗΓΙΕΣ.

**⚠️ ΠΡΟΕΙΔΟΠΟΙΗΣΗ:** ΜΗΝ επιτρέψετε στην άνεση ή στην εξοικειωσή σας με το προϊόν (που αποκτήθηκε από επανειλημμένη χρήση) να αντικαταστήσει την αυστηρή τήρηση των κανόνων ασφαλείας του παρόντος εργαλείου. Η **ΛΑΝΘΑΣΜΕΝΗ ΧΡΗΣΗ** ή η αμέλεια να ακολουθήσετε τους κανόνες ασφαλείας που διατυπώνονται στο παρόν εγχειρίδιο οδηγιών μπορεί να προκαλέσει σοβαρό προσωπικό τραυματισμό.

## Σημαντικές οδηγίες ασφαλείας για κασέτα μπαταριών

1. Πριν χρησιμοποιήσετε την κασέτα μπαταριών, διαβάστε όλες τις οδηγίες και σημειώσεις προφύλαξης (1) στον φορτιστή μπαταριών, (2) στην μπαταρία και (3) στο προϊόν που χρησιμοποιεί την μπαταρία.
2. Μην αποσυναρμολογήσετε ή παραβιάσετε την κασέτα μπαταριών. Μπορεί να έχει ως αποτέλεσμα πυρκαγιά, υπερθέρμανση ή έκρηξη.
3. Εάν ο χρόνος λειτουργίας έχει γίνει υπερβολικά βραχύς, σταματήστε τη λειτουργία αμέσως. Αλλιώς, μπορεί να έχει ως αποτέλεσμα κίνδυνο υπερθέρμανσης, πιθανά εγκαύματα ή ακόμη και έκρηξη.
4. Εάν ηλεκτρολύτης μπει στα μάτια σας, ξεπλύνετε τα με καθαρό νερό και ζητήστε ιατρική φροντίδα αμέσως. Αλλιώς, μπορεί να έχει ως αποτέλεσμα απώλεια της όρασης σας.
5. **Μη βραχυκυκλώνετε την κασέτα μπαταριών:**
  - (1) Μην αγγίζετε τους πόλους με οτιδήποτε αγώγιμο υλικό.
  - (2) Αποφύγετε να αποθηκεύετε την κασέτα μπαταριών μέσα σε ένα δοχείο μαζί με άλλα μεταλλικά αντικείμενα όπως καρφιά, νομίσματα, κλπ.
  - (3) Μην εκθέτετε την κασέτα μπαταριών στο νερό ή στη βροχή.

Ένα βραχυκύκλωμα μπαταρίας μπορεί να προκαλέσει μεγάλη ροή ρεύματος, υπερθέρμανση, πιθανά εγκαύματα ακόμη και σοβαρή βλάβη.

6. Μην αποθηκεύετε και μην χρησιμοποιείτε το εργαλείο και την κασέτα μπαταριών σε τοποθεσίες όπου η θερμοκρασία μπορεί να φτάσει ή να ξεπεράσει τους 50°C.
7. Μην καίτε την κασέτα μπαταριών ακόμη και εάν έχει σοβαρή ζημιά ή είναι εντελώς φθαρμένη. Η κασέτα μπαταριών μπορεί να εκραγεί στη φωτιά.
8. Μην καρφώσετε, κόψετε, συνθλίψετε, πετάξετε ή ρίξετε κάτω την κασέτα μπαταριών, ούτε να χτυπήσετε ένα σκληρό αντικείμενο επάνω στην κασέτα μπαταριών. Τέτοια συμπεριφορά μπορεί να έχει ως αποτέλεσμα πυρκαγιά, υπερθέρμανση ή έκρηξη.
9. Μη χρησιμοποιείτε μπαταρία που έχει υποστεί ζημία.
10. Οι μπαταρίες ιόντων λιθίου που περιέχονται υπόκεινται στις απαιτήσεις της νομοθεσίας για επικίνδυνα αγαθά.  
Για εμπορικές μεταφορές, για παράδειγμα από τρίτα μέρη, πρέπει να τηρούνται οι διαμεταφορές, οι ειδικές απαιτήσεις στη συσκευασία και η επισήμανση. Για προεπιλογή του στοιχείου που αποστέλλεται, είναι απαραίτητο να συμβουλευτείτε έναν ειδικό για επικίνδυνα υλικά. Επίσης, τηρήστε τους πιθανούς, πιο αναλυτικούς εθνικούς κανονισμούς. Καλύψτε με αυτοκόλλητη ταινία ή κρύψτε τις ανοικτές επαφές και συσκευάστε την μπαταρία με τρόπο που να μην μπορεί να μετακινείται μέσα στη συσκευασία.
11. Όταν απορρίπτετε την κασέτα μπαταριών, αφαιρέστε την από το εργαλείο και διαθέστε την σε ένα ασφαλές μέρος. Τηρήστε τους τοπικούς κανονισμούς που σχετίζονται με τη διάθεση της μπαταρίας.
12. Χρησιμοποιήστε τις μπαταρίες μόνο με τα προϊόντα που καθορίζει η Makita. Αν τοποθετήσετε τις μπαταρίες σε μη συμβατά προϊόντα μπορεί να έχει ως αποτέλεσμα πυρκαγιά, υπερβολική θερμότητα, έκρηξη ή διαρροή ηλεκτρολύτη.
13. Αν δεν χρησιμοποιείτε το εργαλείο για μεγάλο χρονικό διάστημα, πρέπει να βγάλετε την μπαταρία από το εργαλείο.
14. Κατά τη διάρκεια και μετά τη χρήση, η κασέτα μπαταριών μπορεί να θερμανθεί, γεγονός που μπορεί να προκαλέσει εγκαύματα ή εγκαύματα από χαμηλή θερμοκρασία. Προσέχετε το χειρισμό των ζεστών κασετών μπαταριών.
15. Μην αγγίζετε τον ακροδέκτη του εργαλείου αμέσως μετά τη χρήση επειδή μπορεί να έχει ζεσταθεί αρκετά για να προκαλέσει εγκαύματα.
16. Μην αφήνετε θραύσματα, σκόνη ή βρομιά να κολλήσει στους ακροδέκτες, τις οπές και τις εγκοπές της κασέτας μπαταριών. Μπορεί να προκαλέσει θέρμανση, φωτιά, έκρηξη και δυσλειτουργία του εργαλείου ή της κασέτας μπαταριών, έχοντας ως αποτέλεσμα εγκαύματα ή προσωπικό τραυματισμό.
17. Εκτός αν το εργαλείο υποστηρίζει τη χρήση κοντά σε ηλεκτρικές γραμμές υψηλής τάσης, μην χρησιμοποιείτε την κασέτα μπαταριών κοντά σε ηλεκτρικές γραμμές υψηλής τάσης. Μπορεί να έχει ως αποτέλεσμα δυσλειτουργία ή σπάζσιμο του εργαλείου ή της κασέτας μπαταριών.
18. Κρφυλάξτε την μπαταρία μακριά από παιδιά.

## ΦΥΛΑΞΤΕ ΤΙΣ ΟΔΗΓΙΕΣ ΑΥΤΕΣ.

**▲ΠΡΟΣΟΧΗ:** Να χρησιμοποιείτε μόνο γνήσιες μπαταρίες της Makita. Η χρήση μη γνήσιων μπαταριών Makita, ή μπαταριών που έχουν τροποποιηθεί, μπορεί να έχει ως αποτέλεσμα τη ρήξη της μπαταρίας, προκαλώντας πυρκαγιά, προσωπικό τραυματισμό και βλάβη. Επίσης, θα ακυρωθεί η εγγύηση της Makita για το εργαλείο και φορτιστή Makita.

## Συμβουλές για τη διατήρηση της μέγιστης ζωής μπαταρίας

1. Φορτίστε την κασέτα μπαταριών πριν από την πλήρη αποφόρτιση της. Πάντοτε να σταματάτε τη λειτουργία του εργαλείου και να φορτίζετε την κασέτα μπαταριών όταν παρατηρείτε μειωμένη ισχύ εργαλείου.
2. Ποτέ μην επαναφορτίσετε μια πλήρως φορτισμένη κασέτα μπαταριών. Η υπερφόρτιση μειώνει την ωφέλιμη ζωή της μπαταρίας.
3. Να φορτίσετε την κασέτα μπαταριών σε θερμοκρασία δωματίου, δηλαδή στους 10 °C έως 40 °C. Αφήστε μια θερμή κασέτα μπαταριών να κρυώσει πριν την φορτίσετε.
4. Όταν δεν χρησιμοποιείτε την κασέτα μπαταριών, αφαιρέστε την από το εργαλείο ή τον φορτιστή.
5. Να φορτίζετε την κασέτα μπαταριών εάν δεν τη χρησιμοποιείτε για μεγάλη χρονική περίοδο (περισσότερο από έξι μήνες).

## ΠΕΡΙΓΡΑΦΗ ΛΕΙΤΟΥΡΓΙΑΣ

**▲ΠΡΟΣΟΧΗ:** Να φροντίζετε πάντα για την απενεργοποίηση του εργαλείου και την αφαίρεση της κασέτας μπαταρίας, πριν από οποιαδήποτε ρύθμιση ή έλεγχο της λειτουργίας του.

## Τοποθέτηση ή αφαίρεση της κασέτας μπαταριών

**▲ΠΡΟΣΟΧΗ:** Να σβήνετε πάντα το εργαλείο πριν τοποθετήσετε ή αφαιρέσετε την κασέτα μπαταριών.

**▲ΠΡΟΣΟΧΗ:** Κρατήστε το εργαλείο και την κασέτα μπαταριών σταθερά κατά την τοποθέτηση ή αφαίρεση της κασέτας μπαταριών. Εάν δεν κρατάτε το εργαλείο και την κασέτα μπαταριών σταθερά μπορεί να γλιστρήσουν από τα χέρια σας και να προκληθεί βλάβη στο εργαλείο και την κασέτα μπαταριών και προσωπικός τραυματισμός.

► **Εικ. 1:** 1. Κόκκινος δείκτης 2. Κουμπί 3. Κασέτα μπαταριών

Για να αφαιρέσετε την κασέτα μπαταριών, ολισθήστε την από το εργαλείο ενώ σύρετε το κουμπί στο μπροστινό μέρος της κασέτας.

Για να τοποθετήσετε την κασέτα μπαταριών, ευθυγραμμίστε τη γλώσσα στην κασέτα μπαταριών με την εγκοπή στο περίβλημα και ολισθήστε τη στη θέση της. Τοποθετήστε την μέχρι τέρμα μέχρι να ασφαλίσει στη θέση της, γεγονός που υποδεικνύεται με ένα χαρακτηριστικό ήχο. Αν μπορείτε να δείτε τον κόκκινο δείκτη όπως απεικονίζεται στην εικόνα, δεν έχει κλειδώσει τελείως.

**▲ ΠΡΟΣΟΧΗ:** Να τοποθετείτε πάντα την κασέτα μπαταριών πλήρως μέχρι να μη βλέπετε τον κόκκινο δείκτη. Εάν δεν ασφαλιστεί, μπορεί να πέσει από το εργαλείο τυχαία, προκαλώντας σωματική βλάβη σε εσάς ή κάποιον άλλο γύρω σας.

**▲ ΠΡΟΣΟΧΗ:** Μην τοποθετείτε την κασέτα μπαταριών με βία. Εάν η κασέτα δεν ολισθαίνει με ευκολία, τότε δεν έχει τοποθετηθεί κατάλληλα.

## Εμφάνιση υπολειπόμενης χωρητικότητας μπαταρίας

Μόνο για κασέτες μπαταρίας με την ενδεικτική λυχνία

► **Εικ.2:** 1. Ενδεικτικές λυχνίες 2. Κουμπί ελέγχου

Πιέστε το κουμπί ελέγχου στην κασέτα μπαταριών για να υποδείξετε την υπολειπόμενη χωρητικότητα μπαταρίας. Οι ενδεικτικές λυχνίες ανάβουν για λίγα δευτερόλεπτα.

Ενδεικτικές λυχνίες			Υπολειπόμενη χωρητικότητα
Αναμμένες	Σβηστές	Αναβοσβήνουν	
			75% έως 100%
			50% έως 75%
			25% έως 50%
			0% έως 25%
			Φορτίστε την μπαταρία.
			Μπορεί να προκύψει δυσλειτουργία στην μπαταρία.

**ΠΑΡΑΤΗΡΗΣΗ:** Ανάλογα με τις συνθήκες χρήσης και τη θερμοκρασία περιβάλλοντος, η ένδειξη μπορεί να διαφέρει λίγο από την πραγματική χωρητικότητα.

**ΠΑΡΑΤΗΡΗΣΗ:** Η πρώτη (τέρμα αριστερά) ενδεικτική λυχνία θα αναβοσβήνει όταν λειτουργεί το σύστημα προστασίας μπαταρίας.

## Σύστημα προστασίας εργαλείου/ μπαταρίας

Το εργαλείο είναι εξοπλισμένο με σύστημα προστασίας εργαλείου/μπαταρίας. Αυτό το σύστημα αποκόπτει αυτόματα την ισχύ προς το μοτέρ για να παραταθεί η διάρκεια λειτουργίας του εργαλείου και της μπαταρίας. Το εργαλείο σταματάει αυτόματα κατά τη διάρκεια της λειτουργίας εάν το εργαλείο ή η μπαταρία βρεθούν κάτω από τις παρακάτω συνθήκες:

## Προστασία υπερφόρτωσης

Αν χειριστείτε το εργαλείο ή την μπαταρία με τρόπο που να τραβά αφύσικα υψηλό ρεύμα, το εργαλείο θα σταματήσει αυτόματα χωρίς προειδοποίηση. Σε αυτήν την περίπτωση, απενεργοποιήστε το εργαλείο και διακόψτε την εργασία που προκάλεσε την υπερφόρτωση του εργαλείου. Στη συνέχεια, ενεργοποιήστε το εργαλείο για να ξεκινήσει και πάλι.

## Προστασία υπερθέρμανσης

Σε περίπτωση υπερθέρμανσης του εργαλείου ή της μπαταρίας, το εργαλείο σταματά αυτόματα. Σε αυτήν την περίπτωση, αφήστε το εργαλείο και την μπαταρία να κρυσώσουν πριν ενεργοποιήσετε ξανά το εργαλείο.

## Προστασία υπερβολικής αποφόρτισης

Όταν η φόρτιση μπαταρίας δεν είναι αρκετή, το εργαλείο σταματάει αυτόματα. Σε αυτήν την περίπτωση, βγάλτε την μπαταρία από το εργαλείο και φορτίστε την μπαταρία.

## Δράση διακοπής

**▲ ΠΡΟΣΟΧΗ:** Πριν βάλετε την κασέτα μπαταρίας μέσα στο εργαλείο, να ελέγχετε πάντα να δείτε αν η σκανδάλη διακόπτης ενεργοποιείται κανονικά και επιστρέφει στη θέση «OFF» όταν ελευθερώνεται.

**▲ ΠΡΟΣΟΧΗ:** Ο διακόπτης μπορεί να ασφαλιστεί στη θέση «ENERGO» για πιο άνετη λειτουργία από το χρήστη κατά τη διάρκεια παρατεταμένης χρήσης. Να είστε προσεκτικοί όταν ασφαλίσετε το εργαλείο στη θέση «ENERGO» και να κρατάτε το εργαλείο σταθερά.

**▲ ΠΡΟΣΟΧΗ:** Μην τοποθετείτε την κασέτα μπαταριών όταν το κουμπί ασφάλισης είναι δεσμευμένο.

**▲ ΠΡΟΣΟΧΗ:** Όταν δεν χειρίζεστε το εργαλείο, πιέστε το κουμπί ασφάλειας σκανδάλης προς την πλευρά για να κλειδώσετε τη σκανδάλη διακόπτη στη θέση απενεργοποίησης.

► **Εικ.3:** 1. Κουμπί κλειδώματος σκανδάλης

► **Εικ.4:** 1. Σκανδάλη διακόπτης 2. Κουμπί ασφάλισης 3. Κουμπί κλειδώματος σκανδάλης

Για να αποφεύγετε το τράβηγμα της σκανδάλης διακόπτη κατά λάθος, υπάρχει το κουμπί κλειδώματος σκανδάλης. Για να θέσετε σε λειτουργία το εργαλείο, πιέστε το κουμπί κλειδώματος σκανδάλης προς την πλευρά A και τραβήξτε τη σκανδάλη διακόπτη. Η ταχύτητα του εργαλείου αυξάνει αν αυξήσετε την πίεση στη σκανδάλη διακόπτη. Για διακοπή της λειτουργίας, ελευθερώστε τη σκανδάλη διακόπτη. Μετά τη χρήση, πιέστε το κουμπί κλειδώματος σκανδάλης προς την πλευρά B .

Για συνεχόμενη λειτουργία, πατήστε το κουμπί ασφάλισης ενώ τραβήξετε τη σκανδάλη διακόπτη και μετά αφήστε τη σκανδάλη διακόπτη. Για να σταματήσετε το εργαλείο, τραβήξτε πλήρως τη σκανδάλη διακόπτη και μετά αφήστε την.

## Καντράν ρύθμισης ταχύτητας

► **Εικ.5:** 1. Καντράν ρύθμισης ταχύτητας

Η ταχύτητα περιστροφής μπορεί να αλλάξει εάν γυρίσετε το καντράν ρύθμισης ταχύτητας σε μια δεδομένη αριθμητική ρύθμιση από το 1 έως το 5. Λαμβάνεται υψηλότερη ταχύτητα όταν το καντράν περιστρέφεται προς την κατεύθυνση του αριθμού 5. Και επιτυγχάνεται χαμηλότερη ταχύτητα όταν το καντράν περιστρέφεται προς την κατεύθυνση του αριθμού 1.

Ανατρέξτε στον πίνακα για τη σχέση μεταξύ των αριθμητικών ρυθμίσεων στο καντράν και την κατά προσέγγιση ταχύτητα περιστροφής.

### Κανονική λειτουργία

Αριθμός	Περιστροφές ανά λεπτό	Ταχύτητα περιστροφής πέλματος ανά λεπτό σε τρόπο λειτουργίας τυχαίας τροχιάς με εξαναγκασμένη περιστροφή
1	1.600	180
2	2.500	290
3	4.000	460
4	5.600	650
5	6.800	780

### Λειτουργία τελειώματος

Αριθμός	Περιστροφές ανά λεπτό	Ταχύτητα περιστροφής πέλματος ανά λεπτό σε τρόπο λειτουργίας τυχαίας τροχιάς με εξαναγκασμένη περιστροφή
1	1.600	180
2	2.200	250
3	3.300	380
4	4.400	500
5	5.200	600

**ΕΙΔΟΠΟΙΗΣΗ:** Αν το εργαλείο λειτουργεί συνεχόμενα σε χαμηλές ταχύτητες για μεγάλο χρονικό διάστημα, το μοτέρ θα υπερφορτωθεί και θα προκαλέσει δυσλειτουργία του εργαλείου.

**ΕΙΔΟΠΟΙΗΣΗ:** Το καντράν ρύθμισης ταχύτητας μπορεί να περιστραφεί μόνο μέχρι το 5 και ξανά στο 1. Μην το εξαναγκάσετε μετά το 5 ή το 1, διαφορετικά η ρύθμιση ταχύτητας δεν θα λειτουργεί.

## Επιλογή τρόπου λειτουργίας δράσης

Περιστρέψτε το κουμπί αλλαγής για να αλλάξετε τον τρόπο λειτουργίας περιστροφής.

► **Εικ.6:** 1. Κουμπί αλλαγής

**ΕΙΔΟΠΟΙΗΣΗ:** Να γυρίζετε πάντα το κουμπί πλήρως. Αν το κουμπί βρίσκεται σε μεσαία θέση, δεν μπορείτε να ενεργοποιήσετε το εργαλείο.

**ΕΙΔΟΠΟΙΗΣΗ:** Δεν μπορείτε να αλλάξετε τον τρόπο λειτουργίας δράσης όταν το εργαλείο είναι ενεργοποιημένο.

## Τρόπος λειτουργίας τυχαίας τροχιάς με εξαναγκασμένη περιστροφή

► **Εικ.7:** 1. Κουμπί αλλαγής

Ο τρόπος λειτουργίας τυχαίας τροχιάς με εξαναγκασμένη περιστροφή είναι μια τροχιακή δράση με εξαναγκασμένη περιστροφή του πέλματος για σκληρή στίλβωση, όπως η κατεργασία μιας επιφάνειας.

Γυρίστε το κουμπί αλλαγής αριστερόστροφα για τρόπο λειτουργίας τυχαίας τροχιάς με εξαναγκασμένη περιστροφή.

## Τρόπος λειτουργίας τυχαίας τροχιάς

► **Εικ.8:** 1. Κουμπί αλλαγής

Ο τρόπος λειτουργίας τυχαίας τροχιάς είναι μια τροχιακή δράση με ελεύθερη περιστροφή του πέλματος για λεπτή στίλβωση.

Γυρίστε το κουμπί αλλαγής δεξιόστροφα για τρόπο λειτουργίας τυχαίας τροχιάς.

## Λειτουργία τελειώματος

Στη λειτουργία τελειώματος, μπορείτε να θέτετε το εργαλείο σε λειτουργία χωρίς να ασκείτε υπερβολικό φορτίο. Αυτή η λειτουργία είναι κατάλληλη για την εργασία τελειώματος.

Για να χρησιμοποιήσετε το εργαλείο σε λειτουργία τελειώματος, τραβήξτε τη σκανδάλη διακόπτη και αφήστε τη για να ενεργοποιήσετε το εργαλείο, μετά πατήστε το κουμπί αλλαγής τρόπου λειτουργίας. Η λυχνία ανάβει με πράσινο χρώμα. Για να επιστρέψετε στην κανονική λειτουργία, πατήστε το κουμπί αλλαγής τρόπου λειτουργίας ενώ το εργαλείο είναι ενεργοποιημένο.

► **Εικ.9:** 1. Λυχνία 2. Κουμπί αλλαγής τρόπου λειτουργίας

**ΠΑΡΑΤΗΡΗΣΗ:** Δεν μπορείτε να αλλάξετε τον τρόπο λειτουργίας όταν το εργαλείο βρίσκεται σε λειτουργία.

## Λειτουργία αποφυγής τυχαίας επανεκκίνησης

Αν τοποθετήσετε την κασέτα μπαταριών ενώ τραβάτε τη σκανδάλη διακόπτη ή ασφαλίζετε τη σκανδάλη διακόπτη, το εργαλείο δεν ξεκινά. Για να ξεκινήσετε τη λειτουργία του εργαλείου, αφήστε τη σκανδάλη διακόπτη και μετά τραβήξτε τη σκανδάλη διακόπτη.

## Ηλεκτρονική λειτουργία

Τα εργαλεία που είναι εξοπλισμένα με ηλεκτρονική λειτουργία είναι εύκολα στη χρήση λόγω των ακόλουθων χαρακτηριστικών.

## Έλεγχος σταθερής ταχύτητας

Μπορείτε να έχετε ένα κομψό αποτέλεσμα επειδή η ταχύτητα περιστροφής διατηρείται σταθερή ακόμα και υπό φορτωμένη κατάσταση.

## Χαρακτηριστικό ομαλής έναρξης

Ομαλή έναρξη επειδή καταστέλλεται η αιφνίδια έναρξη.

## ΣΥΝΑΡΜΟΛΟΓΗΣΗ

**▲ ΠΡΟΣΟΧΗ:** Να βεβαιώνεστε πάντα ότι το εργαλείο είναι σβηστό και η κασέτα μπαταρίας έχει αφαιρεθεί πριν εκτελέσετε κάποια εργασία στο εργαλείο.

### Τοποθέτηση του πέλματος υποστήριξης

► **Εικ.10:** 1. Εξαγωνικό κλειδί 2. Μπουλόνι 3. Πέλαμα υποστήριξης

Τοποθετήστε το πέλαμα υποστήριξης στον άξονα και μετά περιστρέψτε το μπουλόνι δεξιόστροφα με το εξαγωνικό κλειδί.

**▲ ΠΡΟΣΟΧΗ:** Βεβαιωθείτε ότι το πέλαμα υποστήριξης είναι ασφαλισμένο σωστά. Ένα χαλαρό εξάρτημα θα παρουσάσει υπερβολικώς κραδασμό που μπορεί να προκαλέσει απώλεια ελέγχου.

### Τοποθέτηση πλάγιας λαβής

#### Προαιρετικό εξάρτημα

**▲ ΠΡΟΣΟΧΗ:** Σφίξτε καλά τα καπάκια ή την πλάγια λαβή. Διαφορετικά, το μπροστινό κάλυμμα μπορεί να πέσει και να προκληθεί τραυματισμός.

► **Εικ.11:** 1. Καπάκι 2. Πλάγια λαβή

Βγάλετε το καπάκι και βιδώστε την πλάγια λαβή στο εργαλείο με ασφάλεια. Μπορείτε να τοποθετήσετε την πλάγια λαβή σε οποιαδήποτε πλευρά του εργαλείου.

### Τοποθέτηση ή αφαίρεση του πέλματος

#### Προαιρετικό εξάρτημα

**▲ ΠΡΟΣΟΧΗ:** Για στίλβωση, να χρησιμοποιείτε μόνο πέλματα τύπου αντιπροσκόλλησης.

► **Εικ.12:** 1. Πέλαμα

Για να τοποθετήσετε το πέλαμα, πρώτα αφαιρέστε όλη τη βρομιά ή την ξένη ύλη από το σύστημα αντιπροσκόλλησης του πέλματος και του πέλματος υποστήριξης. Συνδέστε το πέλαμα στο πέλαμα υποστήριξης ώστε τα άκρα τους να είναι ευθυγραμμισμένα. Για να αφαιρέσετε το πέλαμα από το πέλαμα υποστήριξης, απλά τραβήξτε προς τα άνω από το άκρο του.

**▲ ΠΡΟΣΟΧΗ:** Βεβαιωθείτε ότι το πέλαμα και το πέλαμα υποστήριξης είναι ευθυγραμμισμένα και συνδεδεμένα με ασφάλεια. Διαφορετικά το πέλαμα θα προκαλέσει υπερβολικώς κραδασμούς που μπορεί να προκαλέσουν απώλεια ελέγχου ή την εκτόξευση του πέλματος από το εργαλείο.

## ΛΕΙΤΟΥΡΓΙΑ

**▲ ΠΡΟΣΟΧΗ:** Για στίλβωση, να χρησιμοποιείτε μόνο γνήσια πέλματα της Makita (προαιρετικά εξαρτήματα).

**▲ ΠΡΟΣΟΧΗ:** Φροντίστε ώστε το υλικό εργασίας να είναι ασφαλισμένο και σταθερό. Ένα αντικείμενο που πέφτει μπορεί να προκαλέσει προσωπικό τραυματισμό.

**▲ ΠΡΟΣΟΧΗ:** Όταν χειρίζεστε το εργαλείο, να κρατάτε το εργαλείο σταθερά με το ένα χέρι στη λαβή διακόπτη και το άλλο χέρι στην μπροστινή λαβή (ή την πλάγια λαβή).

**▲ ΠΡΟΣΟΧΗ:** Μη θέτετε το εργαλείο σε λειτουργία με υψηλό φόρτο για μεγάλη χρονική περίοδο. Μπορεί να έχει ως αποτέλεσμα δυσλειτουργία του εργαλείου ή οποία μπορεί να καταλήξει σε ηλεκτροπληξία, πυρκαγιά ή/και σοβαρό τραυματισμό.

**▲ ΠΡΟΣΟΧΗ:** Προσέχετε να μην αγγίζετε το περιστεφόμενο τμήμα.

**▲ ΠΡΟΣΟΧΗ:** Πριν θέσετε το εργαλείο σε λειτουργία, βεβαιωθείτε ότι η πλάγια λαβή ή τα καπάκια δεν είναι χαλαρά. Αν η πλάγια λαβή ή τα καπάκια είναι χαλαρά, το μπροστινό κάλυμμα μπορεί να πέσει και να προκληθεί τραυματισμός.

**ΕΙΔΟΠΟΙΗΣΗ:** Μη ζορίζετε ποτέ το εργαλείο. Η υπερβολική πίεση μπορεί να οδηγήσει σε μείωση της ικανότητας στίλβωσης, κατεστραμμένο πέλαμα ή μείωση της διάρκειας ζωής του εργαλείου.

**ΕΙΔΟΠΟΙΗΣΗ:** Η συνεχόμενη λειτουργία με υψηλή ταχύτητα μπορεί να προκαλέσει ζημιά στην επιφάνεια εργασίας.

### Λειτουργία στίλβώματος

► **Εικ.13**

1. Κατεργασία επιφάνειας (Τρόπος λειτουργίας τυχαίας τροχιάς με εξαναγκασμένη περιστροφή)  
Χρησιμοποιήστε ένα μάλλινο πέλαμα για τραχύ τελείωμα και μετά χρησιμοποιήστε ένα σπογγώδες πέλαμα για λεπτό τελείωμα.

2. Εφαρμογή κεριού (Τρόπος λειτουργίας τυχαίας τροχιάς)

Χρησιμοποιήστε ένα σπογγώδες πέλαμα. Εφαρμόστε κερύ στο σπογγώδες πέλαμα ή στην επιφάνεια εργασίας. Θέστε το εργαλείο σε λειτουργία με χαμηλή ταχύτητα για να γίνει το κερύ ομοιόμορφο.

**▲ ΠΡΟΣΟΧΗ:** Μην εφαρμόζετε υπερβολικό κερύ ή μέσο στίλβωσης. Θα παράγει περισσότερη σκόνη και μπορεί να προκαλέσει οφθαλμική βλάβη ή αναπνευστική νόσο.

**ΠΑΡΑΤΗΡΗΣΗ:** Πρώτα, πραγματοποιήστε ένα δοκιμαστικό κέρωμα σε ένα κρυφό τμήμα της επιφάνειας εργασίας. Βεβαιωθείτε ότι το εργαλείο δεν θα γδάρει την επιφάνεια και δεν θα έχει ως αποτέλεσμα μη ομοιόμορφο κέρωμα.

### 3. Αφαίρεση κεριού (Τρόπος λειτουργίας τυχαίας τροχιάς)

Χρησιμοποιήστε άλλο σπογγώδες πέλμα. Θέστε το εργαλείο σε λειτουργία για να απομακρύνετε το κερί.

### 4. Στίλβωση (Τρόπος λειτουργίας τυχαίας τροχιάς)

Τοποθετήστε ένα τσόχινο πέλμα απαλά επάνω στην επιφάνεια εργασίας.

## ΣΥΝΤΗΡΗΣΗ

**⚠ ΠΡΟΣΟΧΗ:** Πριν την εκτέλεση εργασιών επιθεώρησης ή συντήρησης, πάντοτε να βεβαιώνετε ότι η συσκευή απενεργοποιήθηκε και η κασέτα μπαταριών έχει αφαιρεθεί.

**ΕΙΔΟΠΟΙΗΣΗ:** Μην χρησιμοποιείτε ποτέ βενζίνη, πετρελαϊκό αιθέρα, διαλυτικό, αλκοόλη ή παρόμοιες ουσίες. Μπορεί να προκληθεί αποχρωματισμός, παραμόρφωση ή ρωγμές.

Για τη διατήρηση της ΑΣΦΑΛΕΙΑΣ και ΑΞΙΟΠΙΣΤΙΑΣ του προϊόντος, οι επισκευές και οποιαδήποτε άλλη εργασία συντήρησης ή ρύθμισης πρέπει να εκτελούνται από εξουσιοδοτημένα ή εργοστασιακά κέντρα εξυπηρέτησης της Makita, χρησιμοποιώντας πάντοτε ανταλλακτικά της Makita.

## Καθάρισμα των καλυμμάτων σκόνης

### ► Εικ.14: 1. Κάλυμμα σκόνης

Για ομαλή κυκλοφορία του αέρα, να καθαρίζετε τακτικά τα καλύμματα σκόνης στα ανοίγματα εισόδου αέρα. Αφαιρέστε τα καλύμματα σκόνης και καθαρίστε το πλέγμα.

## ΠΡΟΑΙΡΕΤΙΚΑ ΕΞΑΡΤΗΜΑΤΑ

**⚠ ΠΡΟΣΟΧΗ:** Αυτά τα εξαρτήματα ή προσαρτήματα συνιστώνται για χρήση με το εργαλείο Makita που περιγράφηκε στις οδηγίες αυτές. Η χρήση οποιωνδήποτε άλλων εξαρτημάτων ή προσαρτημάτων μπορεί να προκαλέσει κίνδυνο τραυματισμού σε άτομα. Να χρησιμοποιείτε τα εξαρτήματα ή προσαρτήματα μόνο για την χρήση που προορίζονται.

Εάν χρειάζεστε οποιαδήποτε βοήθεια για περισσότερες πληροφορίες σε σχέση με αυτά τα εξαρτήματα, απανθείτε στο τοπικό σας κέντρο εξυπηρέτησης Makita.

- Πλάγια λαβή
- Πέλμα υποστήριξης
- Μάλινο πέλμα
- Σπογγώδες πέλμα
- Τσόχινο πέλμα
- Γνήσια μπαταρία και φορτιστής της Makita

**ΠΑΡΑΤΗΡΗΣΗ:** Μερικά στοιχεία στη λίστα μπορεί να συμπεριλαμβάνονται στη συσκευασία εργαλείου ως στάνταρ εξαρτήματα. Μπορεί να διαφέρουν ανάλογα με τη χώρα.



## TEKNİK ÖZELLİKLER

Model:	DPO500	DPO600
Disk altlığı çapı	123 mm	148 mm
Dakikada devir	Normal mod	0 - 6.800 min <sup>-1</sup>
	Cilalama modu	0 - 5.200 min <sup>-1</sup>
Toplam uzunluk	530 mm	
Anma voltajı	D.C. 18 V	
Net ağırlık	3,1 - 3,6 kg	

- Sürekli yapılan araştırma ve geliştirmelerden dolayı, burada belirtilen özellikler önceden bildirilmeksizin değiştirilebilir.
- Özellikler ve batarya kartuşu ülkeden ülkeye değişebilir.
- Ağırlık, ekli aksesuara/aksesuarlara ve batarya kartuşuna bağlı olarak farklılık gösterebilir. EPTA-Prosedürü 01/2014'e göre en hafif ve en ağır kombinasyonlar tabloda verilmiştir.

### Geçerli batarya kartuşu ve şarj aleti

Batarya kartuşu	BL1815N / BL1820B / BL1830B / BL1840B / BL1850B / BL1860B
Şarj aleti	DC18RC / DC18RD / DC18RE / DC18SD / DC18SE / DC18SF / DC18SH / DC18WC

- Yukarıda listelenen batarya kartuşlarının ve şarj aletlerinin bazıları yaşadığımız bölgeye bağlı olarak mevcut olmayabilir.

**⚠UYARI:** Sadece yukarıda listelenen batarya kartuşlarını ve şarj aletlerini kullanın. Başka batarya kartuşlarının ve şarj aletlerinin kullanılması yaralanma ve/veya yangına neden olabilir.

### Kullanım amacı

Bu alet polisaj işlemlerinde kullanılmak üzere tasarlanmıştır.

### Gürültü

Tipik A-ağırlıklı gürültü düzeyi (EN62841-2-4 standardına göre belirlenen):

#### Model DPO500

Ses basınç seviyesi ( $L_{pA}$ ): 85 dB (A)

Ses gücü düzeyi ( $L_{WA}$ ): 93 dB (A)

Belirsizlik (K): 3 dB (A)

#### Model DPO600

Ses basınç seviyesi ( $L_{pA}$ ): 86 dB (A)

Ses gücü düzeyi ( $L_{WA}$ ): 94 dB (A)

Belirsizlik (K): 3 dB (A)

**NOT:** Beyan edilen gürültü emisyonu değer(ler)i bir standart test yöntemine uygun şekilde ölçülmüştür ve bir aleti bir başkasıyla karşılaştırmak için kullanılabilir.

**NOT:** Beyan edilen gürültü emisyonu değer(ler)i bir ön maruz kalma değerlendirmesi olarak da kullanılabilir.

**⚠UYARI:** Kulak koruyucuları takın.

**⚠UYARI:** Elektrikli aletin gerçek kullanımı sırasındaki gürültü emisyonu, aletin kullanım biçimlerine, özellikle işlenen iş parçasının türüne bağlı olarak beyan edilen değer(ler)den farklı olabilir.

**⚠UYARI:** Gerçek kullanım koşullarındaki tahmini maruziyeti baz alan, operatörü koruyacak güvenlik önlemlerini mutlaka belirleyin (çalışma döngüsü içerisinde aletin kapalı olduğu ve aktif durumda olmasının yanı sıra boşta çalıştığı zamanlar gibi, bütün zaman dilimleri göz önünde bulundurarak).

### Titreşim

Titreşim toplam değeri (üç eksenli vektör toplamı) (EN62841-2-4 standardına göre hesaplanan):

#### Model DPO500

Çalışma modu: parlatma

Titreşim emisyonu ( $a_{h,p}$ ): 9,5 m/s<sup>2</sup>

Belirsizlik (K): 1,5 m/s<sup>2</sup>

#### Model DPO600

Çalışma modu: parlatma

Titreşim emisyonu ( $a_{h,p}$ ): 10,0 m/s<sup>2</sup>

Belirsizlik (K): 1,5 m/s<sup>2</sup>

**NOT:** Beyan edilen titreşim toplam değer(ler)i bir standart test yöntemine uygun şekilde ölçülmüştür ve bir aleti bir başkasıyla karşılaştırmak için kullanılabilir.

**NOT:** Beyan edilen titreşim toplam değer(ler)i bir ön maruz kalma değerlendirmesi olarak da kullanılabilir.

**⚠UYARI:** Elektrikli aletin gerçek kullanımı sırasındaki titreşim emisyonu, aletin kullanım biçimlerine, özellikle işlenen iş parçasının türüne bağlı olarak beyan edilen değer(ler)den farklı olabilir.

**⚠UYARI:** Gerçek kullanım koşullarındaki tahmini maruziyeti baz alan, operatörü koruyacak güvenlik önlemlerini mutlaka belirleyin (çalışma döngüsü içerisinde aletin kapalı olduğu ve aktif durumda olmasının yanı sıra boşta çalıştığı zamanlar gibi, bütün zaman dilimleri göz önünde bulundurarak).

## Uygunluk Beyanları

### Sadece Avrupa ülkeleri için

Uygunluk beyanları bu kullanma kılavuzuna Ek A olarak eklenmiştir.

## GÜVENLİK UYARILARI

### Genel elektrikli alet güvenliği uyarıları

**⚠UYARI** Bu elektrikli aletle birlikte verilen tüm güvenlik uyarılarını, talimatları, resimli açıklamaları ve teknik özellikleri okuyun. Aşağıda listelenen talimatların herhangi birine uyulmaması elektrik çarpması, yangın ve/veya ciddi yaralanma ile sonuçlanabilir.

### Tüm uyarıları ve talimatları ile-ride başvurmak için saklayın.

Uyarılardaki "elektrikli alet" terimi ile ya prizden çalışan (kordonlu) elektrikli aletiniz ya da kendi aküsü ile çalışan (kordsuz) elektrikli aletiniz kastedilmektedir.

### Akülü titreşimli polisaj makinesi güvenlik uyarıları

1. Aleti çalışır durumda bırakmayın. Aleti sadece elinizde tutarken çalıştırın.
2. İş parçasının doğru desteklenip desteklenmediğini kontrol edin.
3. Bu aleti asbest içeren hiçbir malzeme üstünde kullanmayın.
4. İşlemin hemen ardından disk altlığının üzerindeki civataya dokunmayın. Oldukça sıcak olabilir ve cildinizi yakabilir.
5. Kullanmadan önce disk altlığı üzerinde çatlak ya da kırık olmadığından emin olun. Aleti düşürseniz kırılma olmadığını kontrol etmek için yüksüz maksimum hızda aleti yaklaşık 1 dakika çalıştırın. Çatlak ya da kırıklar yaralanmaya neden olabilir.

## BU TALİMATLARI MUHAFAZA EDİNİZ.

**⚠UYARI:** Ürünü kullanırken (defalarca kullanınca kazanılan) rahatlık ve tanıdıklık duygusunun ilgili ürünün güvenlik kurallarına sıkı sıkıya bağlı kalmanın yerine geçmesine İZİN VERMEYİN. YANLIŞ KULLANIM veya bu kullanma kılavuzunda belirtilen emniyet kurallarına uymama ciddi yaralanmaya neden olabilir.

## Batarya kartuşu hakkında önemli güvenlik talimatları

1. Batarya kartuşunu kullanmadan önce, tüm talimatları ve (1) batarya kartuşu, (2) batarya ve (3) ürün üzerindeki tüm uyarı işaretlerini okuyun.
2. Batarya kartuşunu parçalarına ayırmayın veya kurcalamayın. Yangın, aşırı ısı veya patlamaya neden olabilir.
3. Çalışma süresi aşırı derecede kısalırsa kullanmayı derhal bırakın. Aşırı ısınma, yanma riski hatta patlamaya neden olabilir.
4. Gözünüze elektrolit kaçarsa, gözlerinizi temiz suyla durulayın ve hemen tıbbi yardım alın. Görme kaybına yol açabilir.
5. Batarya kartuşuna kısa devre yaptırmayın:
  - (1) Terminallere herhangi bir iletken madde değdirmeyin.
  - (2) Batarya kartuşunu çiviler, madeni paralar, vb. gibi başka metal nesnelere aynı kaba koymaktan kaçının.
  - (3) Batarya kartuşunu yağmura ya da suya maruz bırakmayın.Kısa devre, büyük bir akım akışına, aşırı ısınmaya, olası yangınlara hatta bataryanın bozulmasına yol açabilir.
6. Aleti ve batarya kartuşunu sıcaklığın 50°C ya da daha yükseğe ulaştığı yerlerde saklamayın ve kullanmayın.
7. Aşırı derecede hasar görmüş ya da tamamen kullanılmaz durumda olsa bile batarya kartuşunu yakmayın. Batarya kartuşu ateşe atılırsa patlayabilir.
8. Batarya kartuşunu çivilemeyin, kesmeyin, ezmeyin, fırlatmayın, düşürmeyin ya da batarya kartuşuna sert bir nesne ile vurmayın. Bu eylemler yangın, aşırı ısı veya patlamaya neden olabilir.
9. Hasarlı bataryayı kullanmayın.
10. Aletin içerdiği lityum-iyon bataryalar Tehlikeli Eşyalar Yönetmeliğinin gereksinimlerine tabidir.

Ticari nakliye işlemleri için, örneğin üçüncü taraf, nakliye acenteleri tarafından yapılan nakliyelerde, paketlenme ve etiketleme gereksinimlerine uyulmalıdır.

Nakliyesi yapılacak ürünün hazırlanması için, tehlikeli maddeler konusunda uzman bir kişiye danışın. Lütfen muhtemelen daha ayrıntılı olan ulusal yönetmeliklere de uyun.Açık kontakları bantlayın ya da maskeleyin ve bataryayı paketin içinde hareket etmeyecek şekilde paketleyin.

- Batarya kartuşunu bertaraf ederken aletten çıkarın ve güvenli bir yerde bertaraf edin. Bataryanın bertaraf edilmesi ile ilgili yerel düzenlemelere uyunuz.
- Bataryaları sadece Makita tarafından belirtilen ürünlerle kullanın. Bataryaların uyumsuz ürünlerle takılması; yangın, aşırı ısınma, patlama ya da elektrolit sızıntısına neden olabilir.
- Alet uzun süre kullanılmıyacaksa batarya aletten çıkarılmalıdır.
- Kullanma sırasında ve sonrasında batarya kartuşu ısınarak yanıklara veya düşük sıcaklık yanıklarına yol açabilir. Sıcak batarya kartuşları ile işlem yaparken dikkat edin.
- Yanıklara neden olabilecek kadar sıcak olabileceğinden kullandıktan hemen sonra aletin terminaline dokunmayın.
- Batarya kartuşunun terminallerine, deliklerine ve kanallarına mıcır, toz veya toprak girmesine izin vermeyin. Aletin veya batarya kartuşunun ısınmasına, alev almasına, patlamasına ve arızalanmasına neden olarak yanıklara veya yaralanmaya yol açabilir.
- Alet yüksek gerilim elektrik güç hatları yakınında kullanımı desteklemediği sürece batarya kartuşunu yüksek gerilim elektrik güç hatlarının yakınında kullanmayın. Aletin veya batarya kartuşunun arızalanmasına veya bozulmasına neden olabilir.
- Bataryayı çocuklardan uzak tutun.

## BU TALİMATLARI MUHAFAZA EDİNİZ.

**⚠DİKKAT:** Sadece orijinal Makita bataryalarını kullanın. Orijinal olmayan Makita bataryaları ya da üzerine değişiklik yapılmış bataryaların kullanımı bataryanın patlamasına ve sonuç olarak yangın, kişisel yaralanma ve hasara neden olabilir. Ayrıca Makita aleti ve şarj aletinin Makita tarafından sunulan garantisi de geçersiz olur.

## Maksimum batarya ömrü için ipuçları

- Batarya kartuşunu tamamen boşalmadan önce şarj edin. Aletin gücünün zayıflamaya başladığını fark ettiğinizde aleti durdurun ve batarya kartuşunu şarj edin.
- Tam dolu bir batarya kartuşunu asla yeniden şarj etmeyin. Aşırı şarj etme bataryanın hizmet ömrünü kısaltır.
- Batarya kartuşunu 10 °C - 40 °C oda sıcaklığında şarj edin. Sıcak bir batarya kartuşunu şarj etmeden önce soğumasını bekleyin.
- Batarya kartuşunu kullanmıyorken aletten veya şarj aletinden çıkarın.
- Uzun bir süre (altı aydan daha fazla) kullanmadığınız durumlarda batarya kartuşunu şarj edin.

## İŞLEVSEL NİTELİKLER

**⚠DİKKAT:** Alet üzerinde ayarlama veya işleyiş kontrolü yapmadan önce aletin kapalı ve batarya kartuşunun ayrılmış olduğundan daima emin olun.

## Batarya kartuşunun takılması ve çıkarılması

**⚠DİKKAT:** Batarya kartuşunu takmadan ya da çıkarmadan önce aleti daima kapatın.

**⚠DİKKAT:** Batarya kartuşunu takarken veya çıkarırken aleti ve batarya kartuşunu sıkıca tutun. Aletin ve batarya kartuşunun sıkıca tutulmaması bunların düşürülmesine sebep olabilir ve alet ve batarya kartuşunun zarar görmesine ya da ciddi yaralanmasına yol açabilir.

► **Şek.1:** 1. Kırmızı gösterge 2. Düğme 3. Batarya kartuşu

Batarya kartuşunu çıkarmak için, kartuşun ön tarafındaki düğmeyi kaydırarak kartuşu aletten çıkarın.

Batarya kartuşunu takmak için, batarya kartuşu üzerindeki dili yuvanın oluğu ile hizalayın ve kartuşu yerine oturtun. Kartuşu, küçük bir tık sesi ile yerine sabitlenene dek sonuna kadar itirin. Şekilde gösterildiği gibi kırmızı göstergelyi görebiliyorsanız tam olarak kilitlenmemiş demektir.

**⚠DİKKAT:** Batarya kartuşunu daima kırmızı gösterge görünmeyecek şekilde tam olarak takın. Yerine tam oturmazsa, aletten yanlışlıkla düşebilir, sizin ya da çevrenizdeki kişilerin yaralanmasına neden olabilir.

**⚠DİKKAT:** Batarya kartuşunu zorlayarak takmayın. Kartuş kolay bir şekilde kaymıyorsa doğru yerleştirilmemiş demektir.

## Kalan batarya kapasitesinin gösterilmesi

**Sadece göstergeli batarya kartuşları için**

► **Şek.2:** 1. Gösterge lambaları 2. Kontrol düğmesi

Kalan batarya kapasitesini göstermesi için batarya kartuşu üzerindeki kontrol düğmesine basın. Gösterge lambaları birkaç saniye yanar.

Gösterge lambaları			Kalan kapasite
Yanıyor	Kapalı	Yanıp sönüyor	
■	□	▣	%75 ila %100
■	■	□	%50 ila %75
■	■	□	%25 ila %50
■	□	□	%0 ila %25
▣	□	□	Bataryayı şarj edin.
■	■	□	Batarya arızalanmış olabilir.
□	□	■	

**NOT:** Kullanım koşullarına ve ortam sıcaklığına bağlı olarak, gösterilen değer gerçek kapasiteden biraz farklılık gösterebilir.

**NOT:** İlk (en soldaki) gösterge lambası, batarya koruma sistemi çalıştığında yanıp söner.

## Alet/batarya koruma sistemi

Bu alet bir alet/batarya koruma sistemi ile donatılmıştır. Bu sistem motora giden gücü otomatik olarak keserek uzun alet ve batarya ömrü sağlar. Alet veya batarya için aşağıdaki durumlardan biri söz konusu olduğunda aletin işleyişi otomatik olarak durur:

### Aşırı yük koruması

Alet veya batarya, anormal yüksek akım çekmesine neden olacak şekilde çalıştırılırsa alet hiçbir belirti vermeden otomatik olarak durur. Bu durumda aleti kapatın ve aletin aşırı yüklenmesine neden olan uygulamayı durdurun. Daha sonra aleti yeniden başlatın.

### Aşırı ısınma koruması

Alet veya batarya aşırı ısındığında alet otomatik olarak durur. Bu durumda aleti yeniden açmadan önce aletin ve bataryanın soğumasını bekleyin.

### Aşırı deşarj koruması


Batarya kapasitesi yeterli olmadığında, alet otomatik olarak durur. Bu durumda, bataryayı aletten çıkarın ve bataryayı tekrar şarj edin.

## Anahtar işlemleri

**⚠️ DİKKAT:** Batarya kartuşunu alete takmadan önce anahtar tetiğinin doğru çalıştığından ve bira-kıldığında "OFF" (kapalı) konumuna döndüğünden emin olun.



**⚠️ DİKKAT:** Uzun süreli kullanım sırasında kullanıcının rahatlığı için anahtar "ON" (açık) konumuna kilitlenebilir. Anahtar "ON" (açık) konumunda kilitleyken dikkatli olun ve aleti sıkı kavrayın.

**⚠️ DİKKAT:** Kilitleme düğmesi devreye alınmış durumda batarya kartuşunu takmayın.

**⚠️ DİKKAT:** Aleti kullanmazken tetik kilitleme düğmesine  tarafından basarak anahtar tetiği kapalı konumda kilitleyin.

► **Şek.3:** 1. Tetik kilidi düğmesi

► **Şek.4:** 1. Anahtar tetik 2. Kilitleme düğmesi 3. Tetik kilidi düğmesi

Anahtar tetiğinin kazara çekilmesini engellemek için tetik kilidi düğmesi sağlanmıştır. Aleti çalıştırmak için tetik kilidi düğmesine A () tarafından basarak anahtar tetiği çekin. Aletin çalışma hızı anahtar tetik üstüne daha fazla baskı yapılarak artırılır. Durdurmak için anahtar tetiği serbest bırakın. Kullandıktan sonra tetik kilidi düğmesine B () tarafından basın.

Sürekli çalıştırma için, anahtar tetiği çekerken kilitleme düğmesine basın ve ardından anahtar tetiği bırakın. Aleti durdurmak için anahtar tetiği tamamen çekip bırakın.

## Hız ayar kadranı

► **Şek.5:** 1. Hız ayar kadranı

Dönme hızı, hız ayar kadranı işaretlenmiş 1 ila 5 numaraları arasında çevriliyerek değiştirilebilir. Kadran 5 numarası yönünde döndürüldükçe hız yükselir. Ve kadran 1 numarası yönünde döndürüldükçe hız düşer. Kadran üzerindeki numara ayarlarıyla yaklaşık dönme hızı arasındaki ilişki için tabloya bakın.

### Normal mod

Numara	Dakikada devir	Titreşimli cebri dönüş modunda yastığın dakikadaki dönüş hızı
1	1.600	180
2	2.500	290
3	4.000	460
4	5.600	650
5	6.800	780

### Cilalama modu

Numara	Dakikada devir	Titreşimli cebri dönüş modunda yastığın dakikadaki dönüş hızı
1	1.600	180
2	2.200	250
3	3.300	380
4	4.400	500
5	5.200	600

**ÖNEMLİ NOT:** Eğer alet uzun süre devamlı düşük hızlarda çalıştırılırsa, motor aşırı yüklenir ve bozulmaya neden olur.

**ÖNEMLİ NOT:** Hız ayar kadranı ancak 1 ila 5 arasındaki numaralara ayarlanabilir. 5 veya 1 numaranın ötesine ayar yapmaya çalışmayın, aksi halde hız ayar işlevi bozulabilir.

## Eylem modu seçme

Dönüş modunu değiştirmek için, değiştirme düğmesini döndürün.

► **Şek.6:** 1. Değiştirme düğmesi

**ÖNEMLİ NOT:** Düğmeyi her zaman tam olarak döndürün. Düğme orta konumda olursa, aleti çalıştıramazsınız.

**ÖNEMLİ NOT:** Alet açırken eylem modunu değiştiremezsiniz.

## Titreşimli cebri dönüş modu

► **Şek.7:** 1. Değiştirme düğmesi

Titreşimli cebri dönüş modu, yüzey işleme gibi kaba polisaj işlemleri için yastığın cebri dönüşle orbital olarak hareket etmesidir.

Titreşimli cebri dönüş modu için değiştirme düğmesini saatin aksi yönde döndürün.

## Titreşimli mod

► **Şek.8:** 1. Değişirme düğmesi

Titreşimli mod, hassas polisaj işlemleri için yastığın serbest dönüşle orbital olarak hareket etmesidir. Titreşimli mod için değiştirme düğmesini saat yönünde döndürün.

## Cilalama modu

Cilalama modunda fazla yük uygulamadan aleti çalıştırabilirsiniz. Bu mod, cilalama işlemi için uygundur. Aleti cilalama modunda kullanmak için anahtar tetiği çekip bırakarak aleti çalıştırın ve ardından mod değiştirme düğmesine basın. Lamba yeşil yanar. Normal moda dönmek için alet açılırken mod değiştirme düğmesine basın.

► **Şek.9:** 1. Lamba 2. Mod değiştirme düğmesi

**NOT:** Alet çalışırken modu değiştiremezsiniz.

## İstemsiz yeniden başlatma önleyici işlev

Anahtar tetiği çekerken veya anahtar tetiği kilitlerken batarya kartuşu takılırsa alet çalışmaz. Aleti başlatmak için anahtar tetiği bırakın ve ardından anahtar tetiği çekin.

## Elektronik işlev

Elektronik işlevli aletlerin kullanımı aşağıda belirtilen özellikler nedeniyle daha kolaydır.

## Sabit hız kontrolü

Yüklü koşulda bile dönüş hızı sabit kaldığı için iyi bir finiş elde etmek mümkün olur.

## Yumuşak başlatma özelliği

Başlatma sırasında oluşan sarsıntıya karşı yumuşak başlatma özelliği.

## MONTAJ

**⚠DİKKAT:** Alet üzerinde herhangi bir iş yapmadan önce aletin kapalı ve batarya kartuşunun ayrılmış olduğundan daima emin olun.

## Disk altlığının takılması

► **Şek.10:** 1. Altıgen anahtar 2. Cıvata 3. Disk altlığı

Disk altlığını milin üzerine yerleştirin ve ardından cıvata-yatıgen anahtarla saat yönünde döndürün.

**⚠DİKKAT:** Disk altlığının iyi bir şekilde sabitlendiğinden emin olun. Gevşek bir ek parça dengesiz çalışacak ve kontrol kaybına neden olabilecek aşırı bir titreşime neden olacaktır.

## Yan kavrama kolunun takılması

### İsteğe bağlı aksesuar

**⚠DİKKAT:** Kapakları veya yan kavrama kolunu iyice sıkın. Aksi takdirde ön kapak düşerek yaralanmaya neden olabilir.

► **Şek.11:** 1. Kapak 2. Yan kavrama kolu

Kapağı çıkarın ve yan kavrama kolunu alete sıkıca vidalayın. Yan kavrama kolu aletin her iki yanına da takılabilir.

## Yastığın takılması ve çıkarılması

### İsteğe bağlı aksesuar

**⚠DİKKAT:** Polisaj işlemleri için sadece çengel halkalı sistemli yastıkları kullanın.

► **Şek.12:** 1. Yastık

Yastığı takmak için, önce yastığın ve disk altlığının çengel halkalı sistemi üzerindeki tüm kiri veya yabancı maddeleri giderin. Yastığı disk altlığına kenarları aynı hizada olacak şekilde takın.

Yastığı disk altlığından çıkarmak için, kenarından yukarı çekiverin.

**⚠DİKKAT:** Yastığın ve disk altlığının hizalı ve iyice sabitlenmiş olduğundan emin olun. Aksi takdirde, yastık aşırı titreşime neden olarak kontrol kaybına neden olabilir veya yastık aletten çıkıp fırlayabilir.

## KULLANIM

**⚠DİKKAT:** Sadece orijinal Makita polisaj yastıklarını (isteğe bağlı aksesuarlar) kullanın.

**⚠DİKKAT:** İş malzemesinin sabit ve dengeli durduğundan emin olun. Düşen nesnelere kişisel yaralanmaya neden olabilir.

**⚠DİKKAT:** Aleti kullanırken, aleti tek elinizle anahtar kolundan ve diğer elinizle ön kavrama kolundan (ya da yan koldan) sıkıca tutun.

**⚠DİKKAT:** Aleti uzun bir süre boyunca yüksek yükte çalıştırmayın. Bunu yapmak elektrik şoku, yangın ve/veya ciddi yaralanmalara neden olabilecek alet arızalarına yol açabilir.

**⚠DİKKAT:** Dönen kısma dokunmamaya dikkat edin.

**⚠DİKKAT:** Aleti kullanmadan önce yan kavrama kolu veya kapakların gevşek olmadıklarından emin olun. Yan kavrama kolu veya kapaklar gevşek ise ön kapak düşebilir ve yaralanmaya neden olabilir.

**ÖNEMLİ NOT:** Aleti hiç bir zaman zorlamayın. Aşırı basınç polisaj işleminin verimliliğini azaltabilir, yastığa hasar verebilir veya aletin kullanım ömrünü kısaltabilir.

**ÖNEMLİ NOT:** Yüksek hızda sürekli çalıştırma çalışma yüzeyine zarar verebilir.

## Parlatma işlemi

### ► Şek.13

1. Yüzeysel işleme (Titreşimli cebri dönüş modu)

Kaba finişin yapılması için yün yastığı kullanın, ardından hassas finiş için sünger yastık kullanın.

2. Cila uygulama (Titreşimli mod)

Sünger yastık kullanın. Sünger yastığa veya çalışma yüzeyine cila uygulayın. Cilayı pürüzsüzleştirmek için aleti düşük hızda çalıştırın.

**⚠DİKKAT:** Aşırı miktarda cila ya da polisaj malzemesi uygulamayın. Bunu yapmak daha fazla toz oluşumuna ve göz ve solunum yolu hastalıklarına neden olabilir.

**NOT:** Cilayı ilk önce çalışma yüzeyinin göze çarpmayan bir kısmında test edin. Aletin yüzeyi çizmediğinden veya muntazam cilalama yaptığından emin olun.

3. Cila çıkarma (Titreşimli mod)

Başka bir sünger yastık kullanın. Cilayı gidermek için aleti çalıştırın.

4. Polisaj işlemi (Titreşimli mod)

Keçe yastığı çalışma yüzeyine hafifçe uygulayın.

## BAKIM

**⚠DİKKAT:** Muayene ya da bakım yapmadan önce aletin kapalı ve batarya kartuşunun çıkartılmış olduğundan daima emin olun.

**ÖNEMLİ NOT:** Benzin, tiner, alkol ve benzeri maddeleri kesinlikle kullanmayın. Renk değişimi, deformasyon veya çatlaklar oluşabilir.

Aleti EMNİYETLİ ve ÇALIŞMAYA HAZIR durumda tutmak için onarımlar, başka her türlü bakım ve ayarlamalar daima Makita yedek parçaları kullanılarak Makita yetkili servis merkezleri veya Fabrikanın Servis Merkezleri tarafından yapılmalıdır.

## Toz kapaklarının temizlenmesi

### ► Şek.14: 1. Toz kapağı

Kesintisiz bir hava dolaşımı sağlamak için hava deliklerinin üzerindeki toz kapaklarını düzenli aralıklarla temizleyin. Toz kapaklarını çıkarın ve ızgarayı temizleyin.

## İSTEĞE BAĞLI AKSESUARLAR

**⚠DİKKAT:** Bu aksesuarlar ve ek parçalar bu el kitabında belirtilen Makita aletiniz ile kullanılmak için tavsiye edilmektedir. Herhangi başka bir aksesuar ya da ek parça kullanılması insanlar için bir yaralanma riski getirebilir. Aksesuarları ya da ek parçaları yalnızca belirtilmiş olan kullanım amaçlarına uygun olarak kullanın.

Bu aksesuarlarla ilgili daha fazla bilgiye ihtiyaç duyar-sanız bulunduğunuz yerdeki yetkili Makita servisine başvurun.

- Yan kavrama kolu
- Disk altlığı
- Yün yastık
- Sünger yastık
- Keçe yastık
- Orijinal Makita batarya ve şarj aleti

**NOT:** Listedeki parçaların bazıları alet paketi içerisinde standart aksesuar olarak dahil edilmiş olabilir. Bunlar ülkeden ülkeye farklılık gösterebilir.



# Makita Europe N.V.

Jan-Baptist Vinkstraat 2, 3070 Kortenberg, Belgium

# Makita Corporation

3-11-8, Sumiyoshi-cho, Anjo, Aichi 446-8502 Japan

[www.makita.com](http://www.makita.com)



885667B990  
EN, FR, DE, IT, NL,  
ES, PT, DA, EL, TR  
20230414