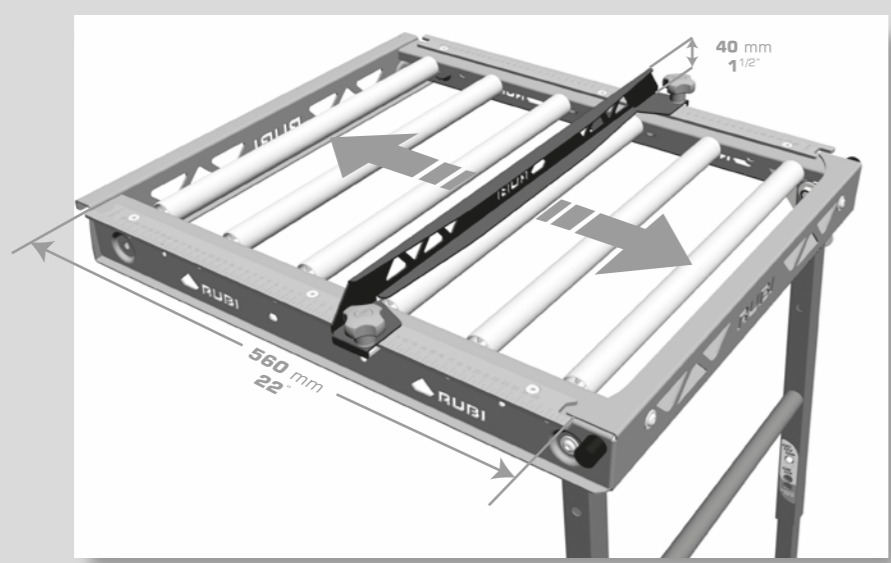




**Ref.51917**



**DC/DV  
DW/DS/DX**  
ACCESORIO / ACCESSORY  
Ref.51917



ACCESORIO / ACCESSORY  
Ref.51917



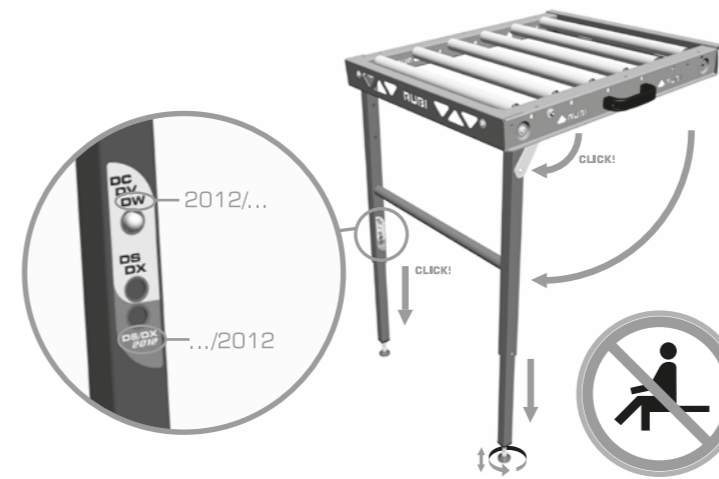
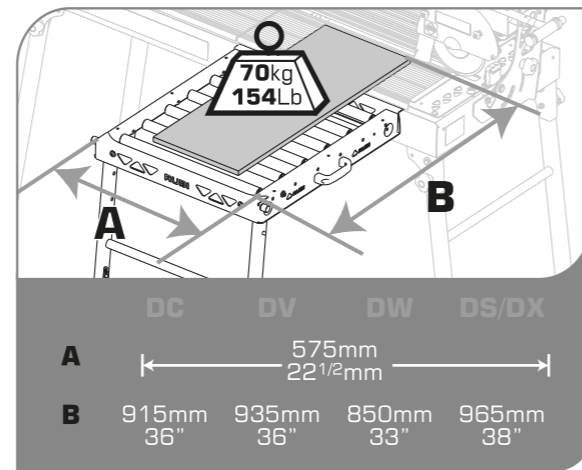
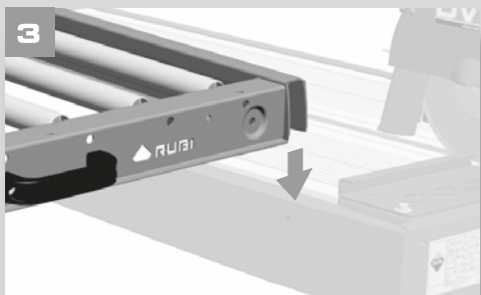
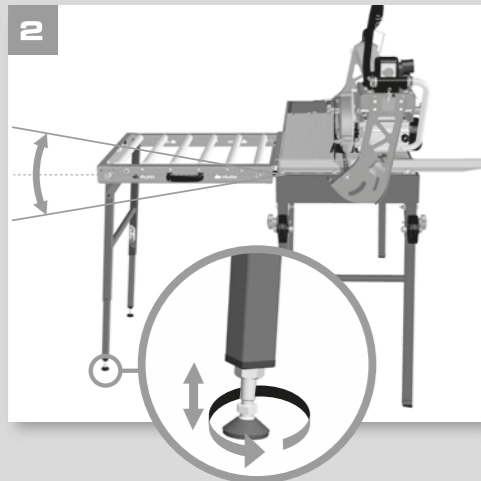
ACCESORIO / ACCESSORY

DC/DV/DW  
DS/DX

Ref.51914

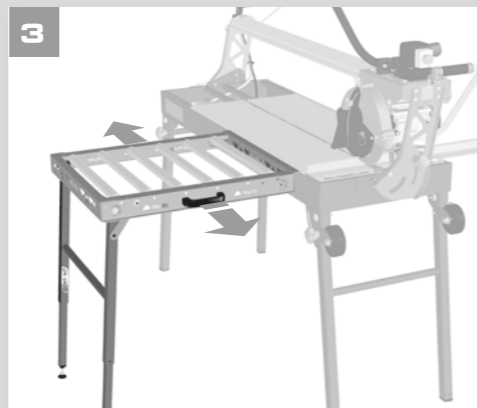
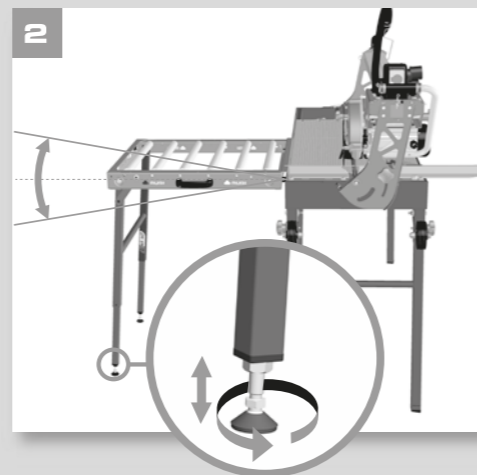
**DV**

PROFESSIONAL



**DC/DW**

PROFESSIONAL



**DS/DX**

PROFESSIONAL

