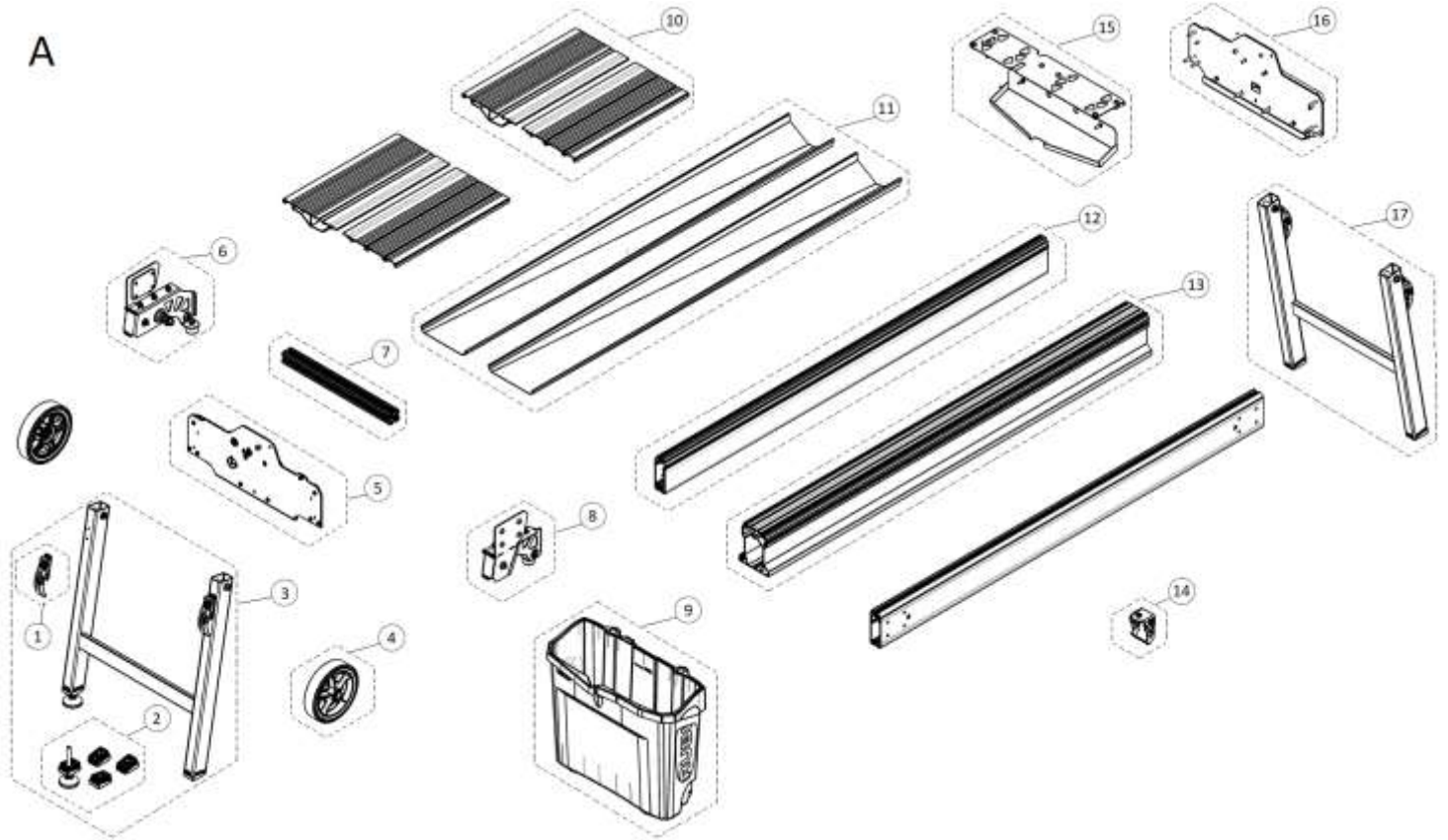
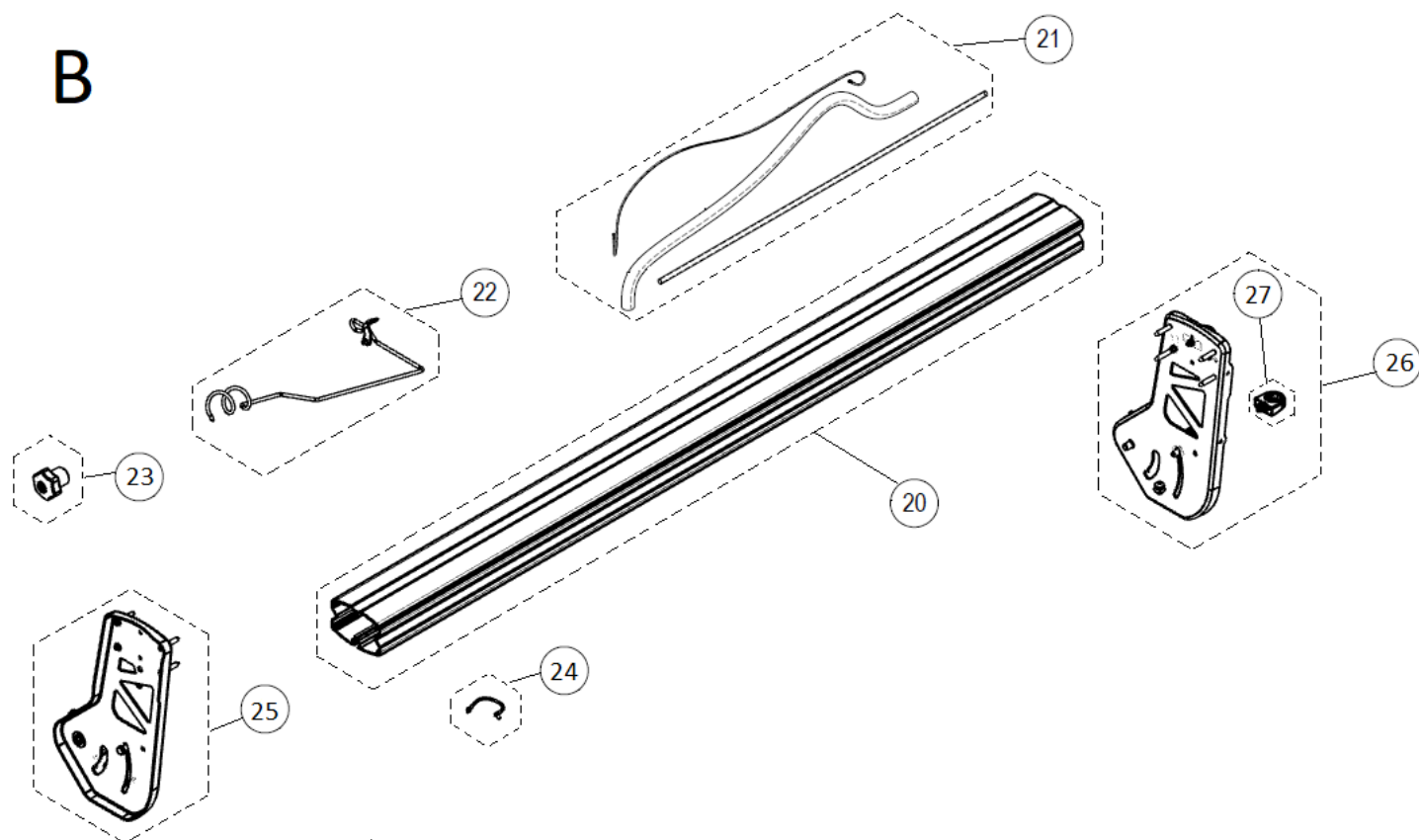


Part-list	ES	EN	Prod.
	GRUPO A	GROUP A	Pag. 2
888 88	GRUPO B	GROUP B	Pag. 3
	GRUPO C	GROUP C	Pag. 4
888 88	GRUPO D	GROUP D	Pag. 5
	GRUPO E	GROUP E	Pag. 6

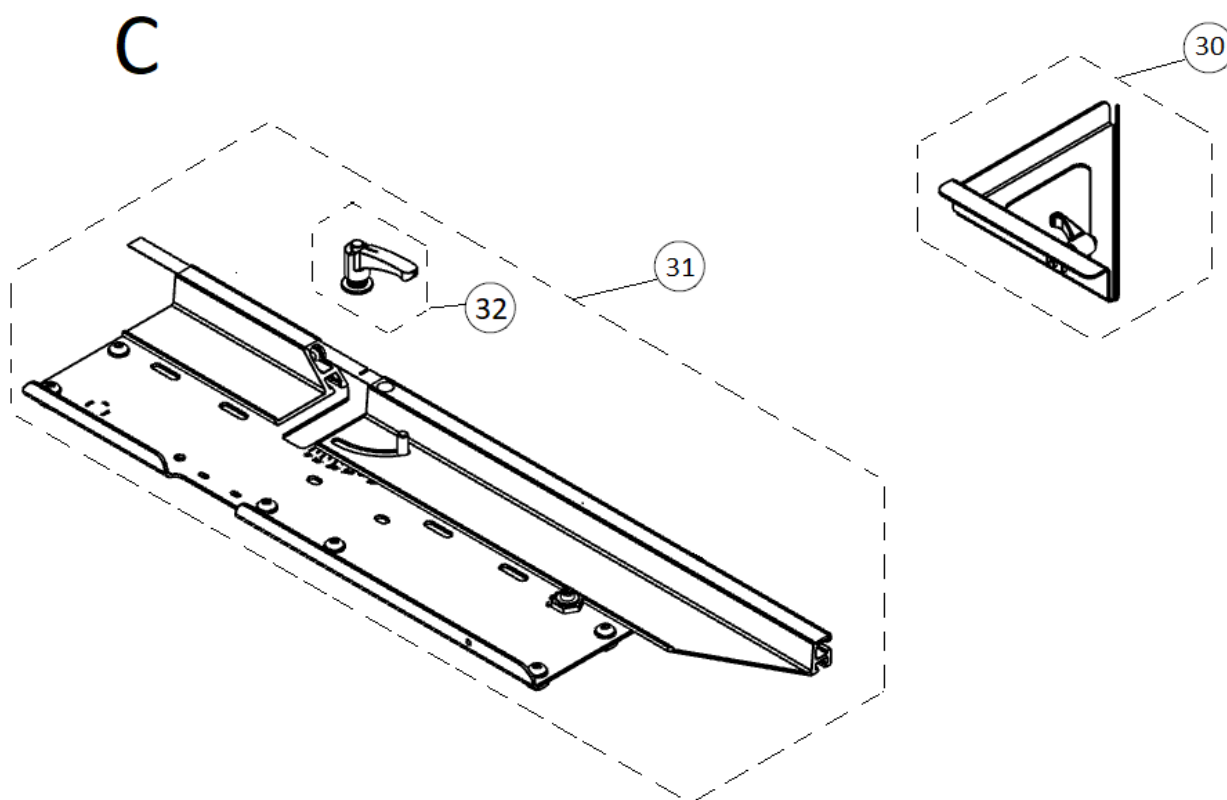
Prod	ES	EN	From serial num:
52972	DCX-250 XPERT 1550 120V 60HZ - CORT.ELEC	DCX-250 XPERT 1550 120V 60HZ - CORT.ELEC	500
52971	DCX-250 XPERT 1550 110V 50HZ - CORT.ELEC	DCX-250 XPERT 1550 110V 50HZ - CORT.ELEC	500
52970	DCX-250 XPERT 1550 230V 50HZ - CORT.ELEC	DCX-250 XPERT 1550 230V 50HZ	500
52962	DCX-250 XPERT 1250 120V 60HZ - CORT.ELEC	DCX-250 XPERT 1250 120V 60HZ - CORT.ELEC	500
52961	DCX-250 XPERT 1250 110V 50HZ - CORT.ELEC	DCX-250 XPERT 1250 110V 50HZ - CORT.ELEC	500
52960	DCX-250 XPERT 1250 230V 50HZ - CORT.ELEC	DCX-250 XPERT 1250 230V 50HZ	500
52937	DCX-250 XPERT 1550 220V 60HZ - CORT.ELEC	DCX-250 XPERT 1550 220V 60HZ	500
52929	DCX-250 XPERT 1250 220V 60HZ - CORT.ELEC	DCX-250 XPERT 1250 220V 60HZ	500



Part-list	ES	EN	Prod.	
1	56775 2	REC.SEGURO PATAS DCX	SP.DCX LEGS LOCK SET	
2	56776 1	REC.KIT CONTERAS DCX	SP.DCX END CAPS KIT	
3	56788 1	REC.PATA TRASERA DCX	SP.REAR LEG DCX SET	
4	56783 2	REC.RUEDA DCX	SP.DCX WHEEL	
5	56786 1	REC.FRONTAL DELANTERO DCX	SP.FRONT HEAD DCX	
6	56773 2	REC.SOPORTE RUEDAS IZQ. DCX	SP.WHEELS SUPPORT LH DCX SET	
7	56774 2	REC.DISTANCIADOR SOPORTE RUEDA DCX	SP.DCX WHEEL SUPPORT SPACER	
8	56772 2	REC.SOPORTE RUEDAS DER. DCX	SP.RH DCX WHEELS SUPPORT SET	
9	57214 1	REC.DEPOSITO DCX	SP.DEPOSIT DCX	
10	56790 2	REC.JUEGO MESAS DCX	SP.DCX TABLE SET	
11	56785 1	REC.DECANTADORES DCX 1550	SP.DECANTER SET DCX 1550	52970, 52971, 52972, 52937
11	56784 1	REC.DECANTADORES DCX 1250	SP.DECANTER SET DCX 1250	52960, 52961, 52962, 52929
12	56781 2	REC.GUIA LATERAL CHASIS DCX 1550	SP.DCX 1550 CHASSIS SIDE GUIDE	52970, 52971, 52972, 52937
12	56779 2	REC.GUIA LATERAL CHASIS DCX 1250	SP.DCX 1250 CHASSIS SIDE GUIDE	52960, 52961, 52962, 52929
13	56780 1	REC.GUIA CENTRAL CHASIS DCX 1550	SP.CHASSIS CENTRAL GUIDE DCX 1550	52970, 52971, 52972, 52937
13	56778 1	REC.GUIA CENTRAL CHASIS DCX 1250	SP.CHASSIS CENTRAL GUIDE DCX 1250	52960, 52961, 52962, 52929
14	56771 2	REC.CIERRE PATAS DCX	SP.DCX LEGS CLOSURE SET	
15	56782 1	REC.DECANTADOR CHASIS DCX	SP.DECANTER CHASSIS	
16	56787 1	REC.FRONTAL TRASERO DCX	SP.REAR FOREHEAD DCX	
17	56789 1	REC.PATA DELANTERA DCX	SP.DCX FRONT LEG	

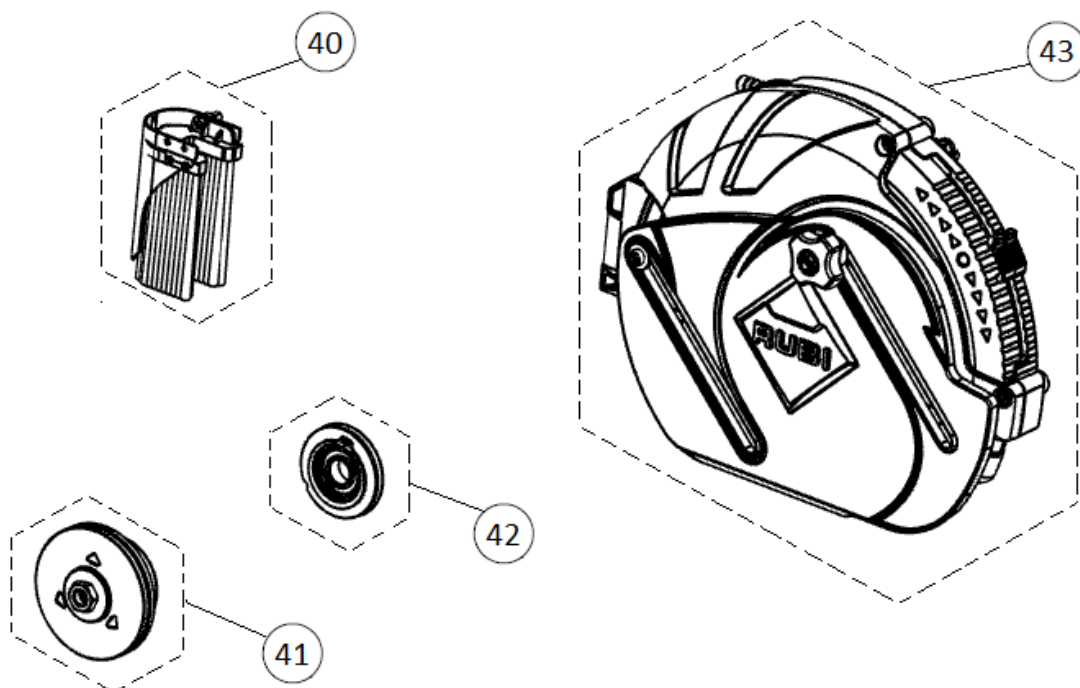


Part-list	ES	EN	Prod.
20	56795 1 REC.GUIA DCX 1550	SP.GUIDE DCX 1550 SET	52970, 52971, 52972, 52937
20	56794 1 REC.GUIA DCX 1250	SP.GUIDE DCX 1250 SET	52960, 52961, 52962, 52929
21	56797 1 REC.KIT TUBOS DCX 1550	SP.DCX 1550 TUBE KIT	52970, 52971, 52972, 52937
21	56796 1 REC.KIT TUBOS DCX 1250	SP.DCX 1250 TUBE KIT	52960, 52961, 52962, 52929
22	56792 1 REC.ALZADOR DCX	SP.LIFTER DCX SET	
23	54850 2 REC.POMO REF:54850	SP.RED KNOB SET REF:54850	
24	56661 1 REC.CJ.CABLE TIERRA REF:56661	SP.GROUND WIRE SET REF:56661	
25	56793 1 REC.BRAZO DELANTERO DCX	SP.DCX FRONT ARM SET	
26	56791 1 REC.BRAZO TRASERO DCX	SP.DCX REAR ARM SET	
27	56875 1 REC.CJ.GRAPA TUBO COARRUGADO	SP.CORRUGATED PIPE CLAMP SET	

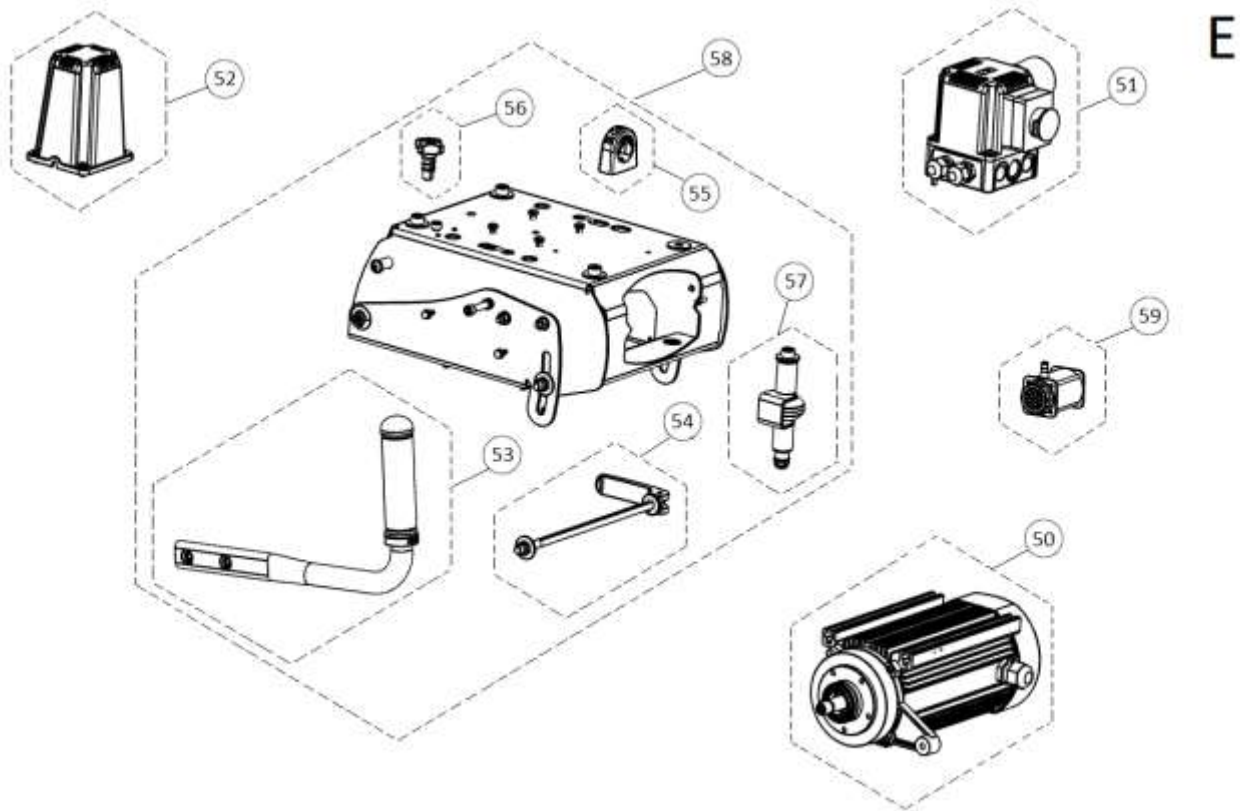


Part-list	ES	EN	Prod.
30	56798 1 REC.TOPE LATERAL DCX	SP.LATERAL BUMPER DCX SET	
31	56799 1 REC.TOPE MESA DCX	SP.TABLE STOP DCX SET	
32	56877 1 REC.MANETA TOPE MESA DCX	SP.DCX TABLE STOP HANDLE	

D



Part-list	ES	EN	Prod.
40	56654 1 REC.CJ.ZERO DUST REF:56654	SP.ZERO DUST SET REF:56654	
41	56657 1 REC.CJ.PLATOS USA REF:56657	SP.FLANGES SET USA REF:56657	52962, 52972
41	56656 1 REC.CJ.PLATOS REF:56656	SP.FLANGES SET REF:56656	52960, 52961, 52929, 52970, 52971, 52937
42	56658 1 REC.CJ.ARANGL REF:56658	SP.ARANGL SET REF:56658	
43	56655 1 REC.SISTEMA PYTHON	SP.PYTHON SYSTEM	



Part-list	ES	EN	Prod.
50 56868 1	REC.MOTOR 120V 60HZ DCX	SP.MOTOR 120V 60HZ DCX	52962, 52972
50 56867 1	REC.MOTOR 110V 50HZ DCX	SP.MOTOR 110V 50HZ DCX	52961, 52971
50 56866 1	REC.MOTOR 220V 60HZ DCX	SP.MOTOR 220V 60HZ DCX	52929, 52937
50 56865 1	REC.MOTOR 230V 50HZ DCX	SP.MOTOR 230V 50HZ DCX	52960, 52970
51 56671 1	REC.CJ.ARRANCADOR 120V 50/60HZ REF:56671	SP.STARTER 120V 50/60HZ SET REF:56671	52961, 52962, 52971, 52972
51 56670 1	REC.CJ.ARRANCADOR 230V 60HZ REF:56670	SP.STARTER 230V 60HZ SET REF:56670	52929, 52937
51 56669 1	REC.CJ.ARRANCADOR 230V 50HZ REF:56669	SP.STARTER 230V 50HZ SET REF:56669	52960, 52970
52 56870 1	REC.CONDENSADOR 90µF DCX	SP.CAPACITOR 90µF DCX SET	52961, 52962, 52971, 52972
52 56869 1	REC.CONDENSADOR 30µF DCX	SP.CAPACITOR 30µF DCX SET	52960, 52929, 52970, 52937
53 56872 1	REC.MANGO DCX	SP.HANDLE DCX SET	
54 56873 1	REC.FIJADOR TRONZADORA DCX	SP.FIXATION CUTTING MACHINE DCX SET	
55 56875 1	REC.CJ.GRAPA TUBO COARRUGADO	SP.CORRUGATED PIPE CLAMP SET	
56 56680 1	REC.FRENO CARRO REF:56680	SP.KNOB CAR SET REF:56680	
57 56874 4	REC.RODAMIENTO CARRO DCX	SP.DCX CARRIAGE BEARING SET	
58 56871 1	REC.CARRO DCX	SP.DCX CARRIAGE SET	
59 56974 1	BOMBA DE AGUA B200 3,6M 110V	B-200 SPARE WATER PUMP 110V (Cable 3,6m)	52961, 52962, 52971, 52972
59 56973 1	BOMBA DE AGUA B200 3,6M 230V	B-200 SPARE WATER PUMP 230V (Cable 3,6m)	52960, 52929, 52970, 52937