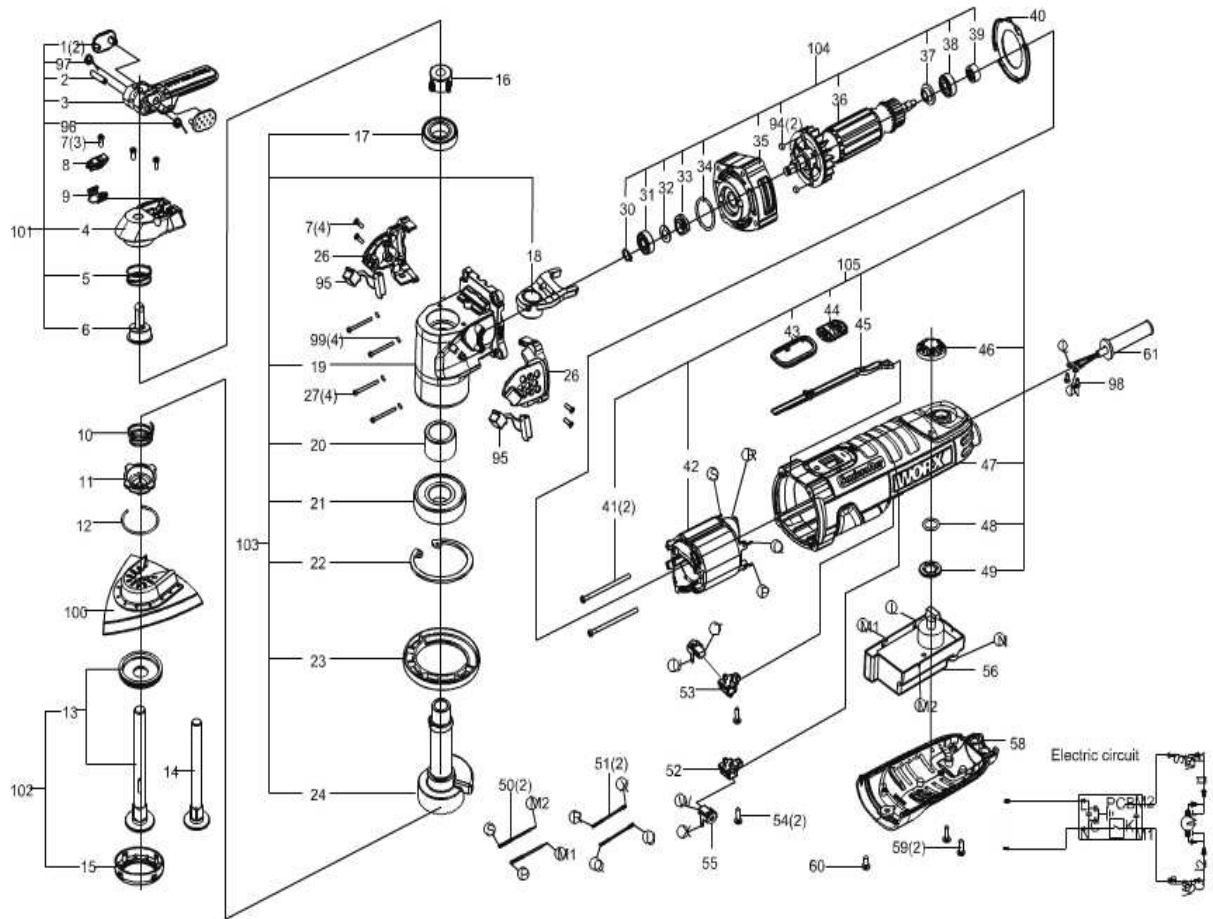





> Close > Print



WX681



	Part No	Description	Qty
1	50026115	Ornament Cover	2
2	50023992	Cylindrical Pin	1
3	50026807	Spanner	1
4	50026760	Spanner Base	1
5	50026761	Compression Spring	1
6	50026762	Sleeve	1
7	50015009	Screw	7
8	50026114	Compression Block	1
9	50023997	Spring Board	1
10	50023999	Compression Spring	1
11	50023998	Orientation Sleeve	1
12	50018311	Retaining Ring	1
13	50026764	Gasket	1
14	50026765	Press Bolt	1
15	50024002	Plastic Sleeve	1
16	50026766	Lock Nut	1
17	50003209	Bearing	1
18	50026767	Pendulum Fork	1
19	50026811	Fore Housing	1
20	50026769	Shaft Cover	1
21	50003172	Bearing	1
22	50019019	Retaining Ring	1
23	50026771	Washer	1
24	50026772	Spindle	1
26	50026809	Ornament cover	1
27	50024041	Self Tapping Screw	4
30	50003087	Ring	1
31	50024043	Ball Bearing	1
32	50024044	Washer	1
33	50026812	Counterweight	1
34	50014848	O-ring	1
35	50026813	Bracket Support	1
36	50027089	Rotor	1
37	50000393	Dustproof ring	1
38	50003125	Bearing	1
39	50024048	Magnet Ring	1
40	50026778	Wind Baffle Ring	1
41	50026779	Self Tapping Screw	2
42	50027090	Stator	1
43	50027069	Ornament Cover	1
44	50026782	Trigger	1
45	50027070	Switch Level	1
46	50026784	Speed Adjustment Knob	1
47	50027091	Housing	1
48	50019611	O Rings	1
49	50015898	Retaining Ring10	1
50	50024056	Inner Wire	2
51	50024057	Inner Wire	2
52	50016962	Brush Bracket Assmebly 1	1
53	50016961	Brush Bracket Assmebly 2	1
54	50026215	Self Tapping Screw	2
55	50016963	Carbon Brush(Pair)	1
56	50027085	Speed Control	1
58	50026817	Rear Cover	1
59	50025738	Self Tapping Screw	2
60	50002661	Screw	1

61	50027095	Cord & Plug	1
94	50024443	Manget	2
95	50026810	Transistor	2
96	50023996	Torsional Spring	1
97	50023991	Torsional Spring	1
98	50002589	Screw	2
99	50003059	Spring washer	4
100	50027075	Sanding Pad Perforated	1
101	50027076	Lock Lever Assembly	1
102	50026793	Screw washer assembly	1
103	50027086	Fore Housing Assembly	1
104	50027092	Rotor Assembly	1
105	50027093	Fore Housing Assembly	1